

DATE	REMARKS
07.19.22	Issued for Bid

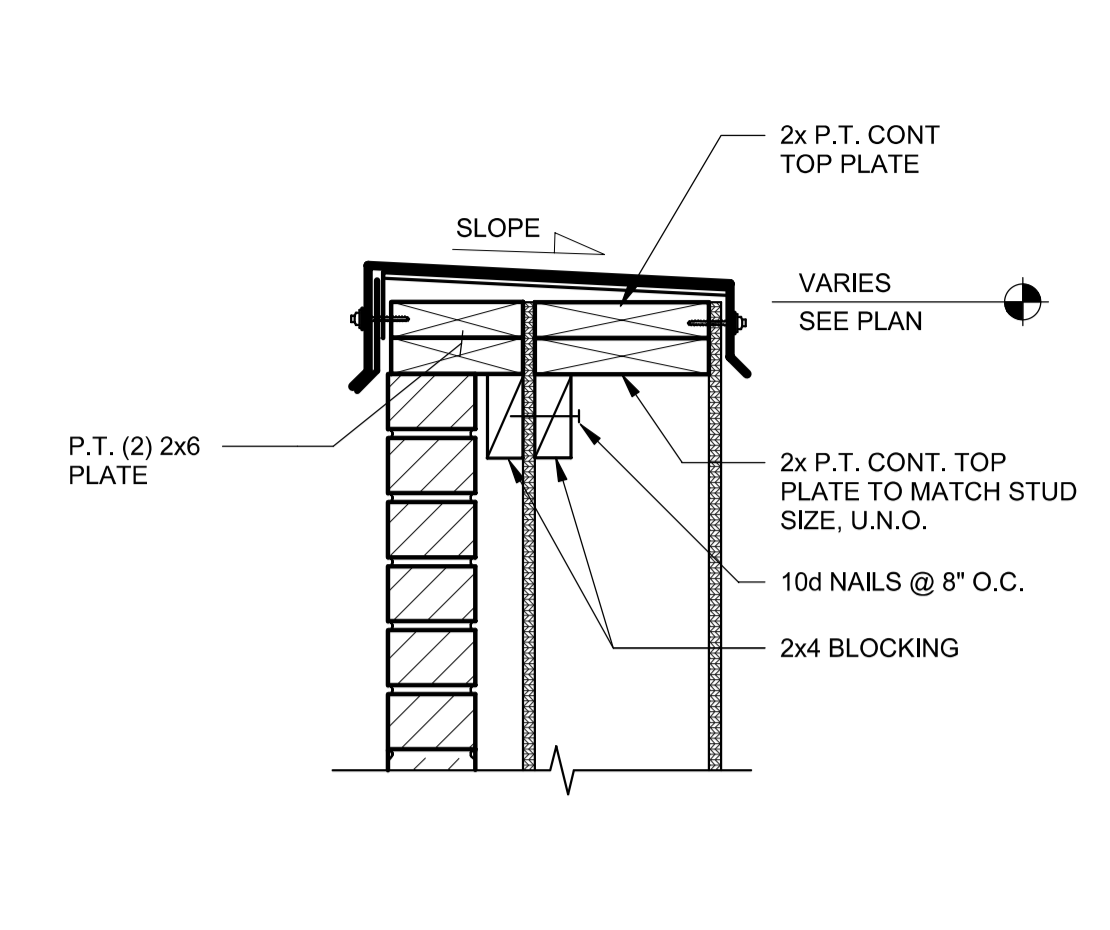
CONTRACT DATE: 04.08.21
BUILDING TYPE: END, MED20
PLAN VERSION: MARCH 2021
BRAND DESIGNER: DICKSON
SITE NUMBER: 313354
STORE NUMBER: 449523
PA/PM: JN
DRAWN BY: DL
JOB NO.: 2018088.03

TACO BELL
18550 E. WARREN AVE
DETROIT, MI 48236

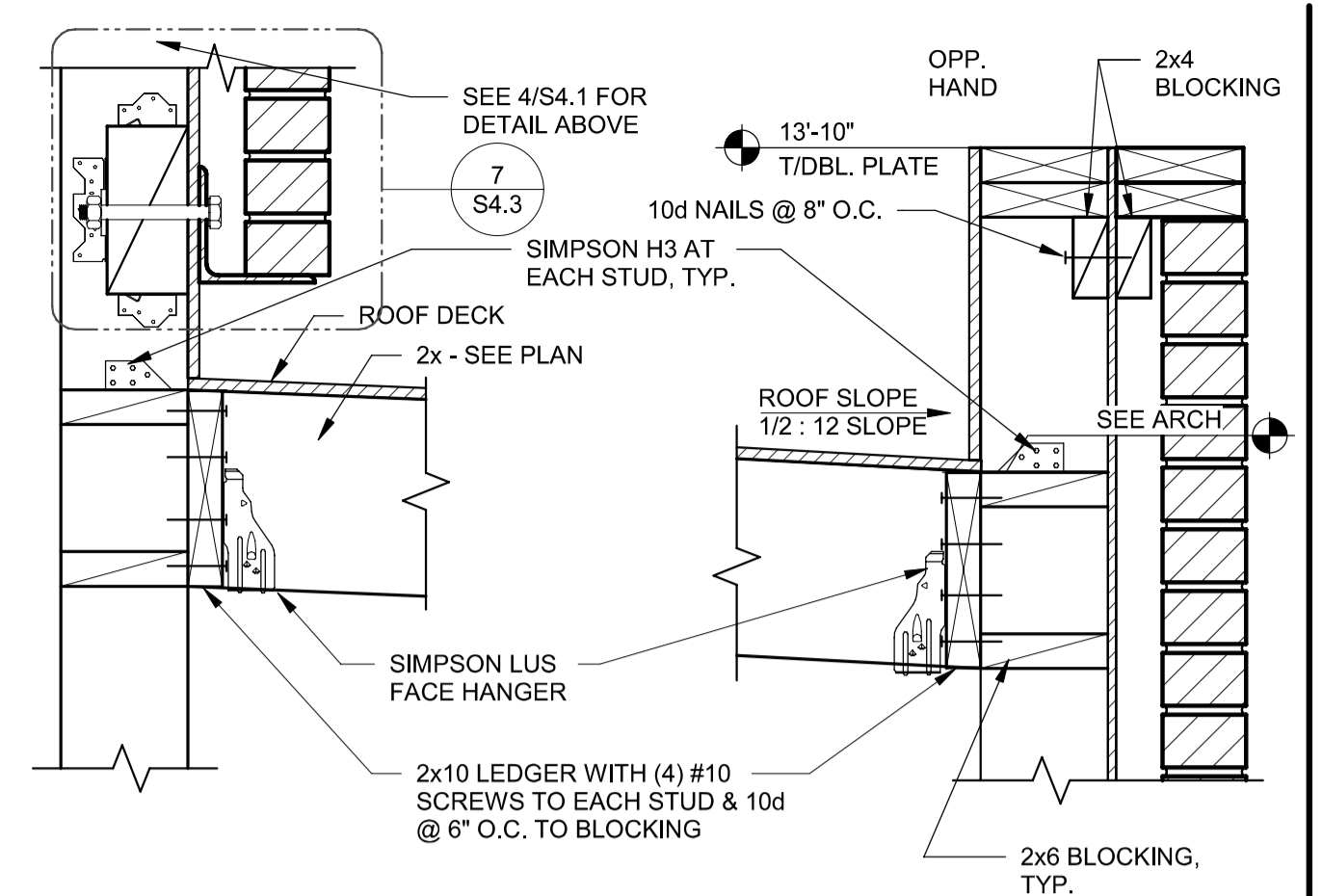


**ENDEAVOR 2.0
STRUCTURAL
DETAILS**

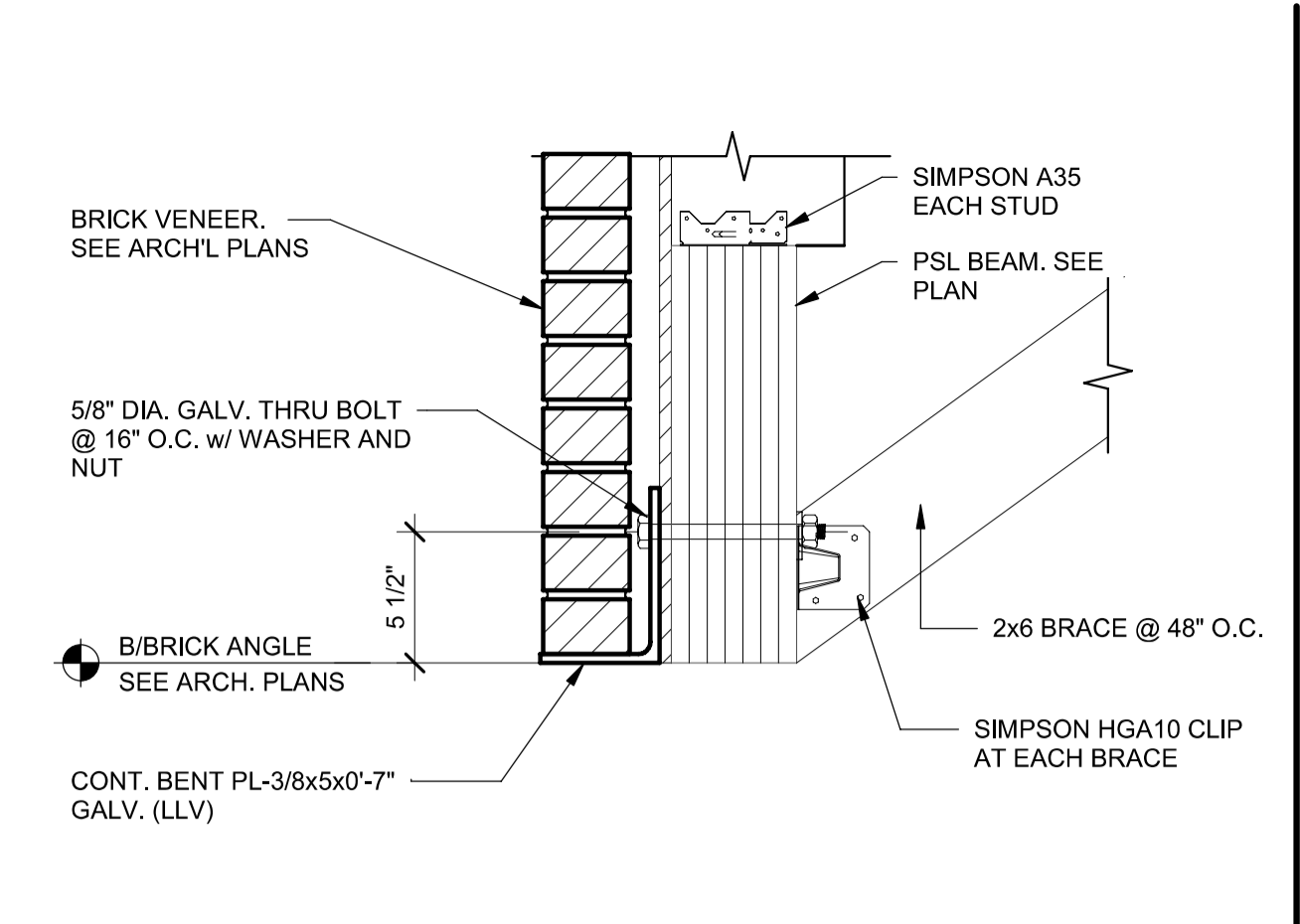
S4.3



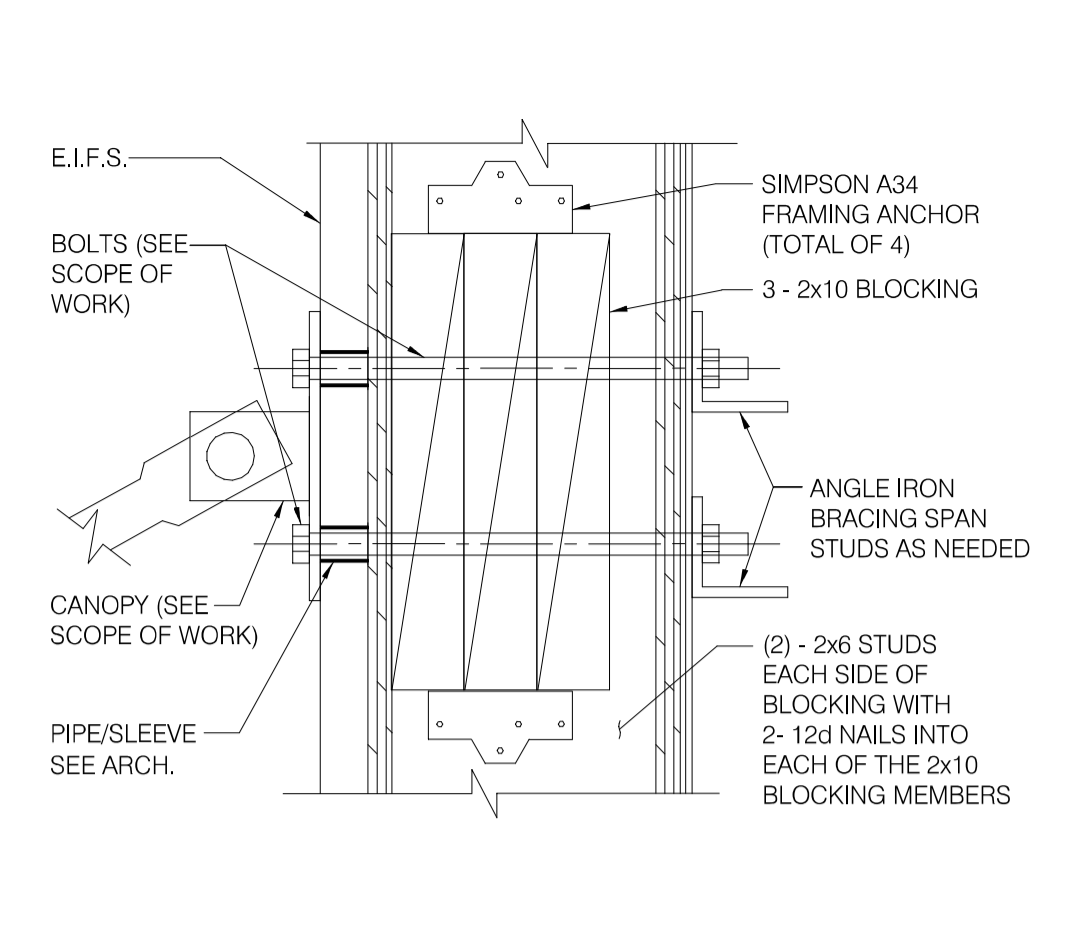
TYPICAL PARAPET CAP 1 1/2" = 1'-0" **1**



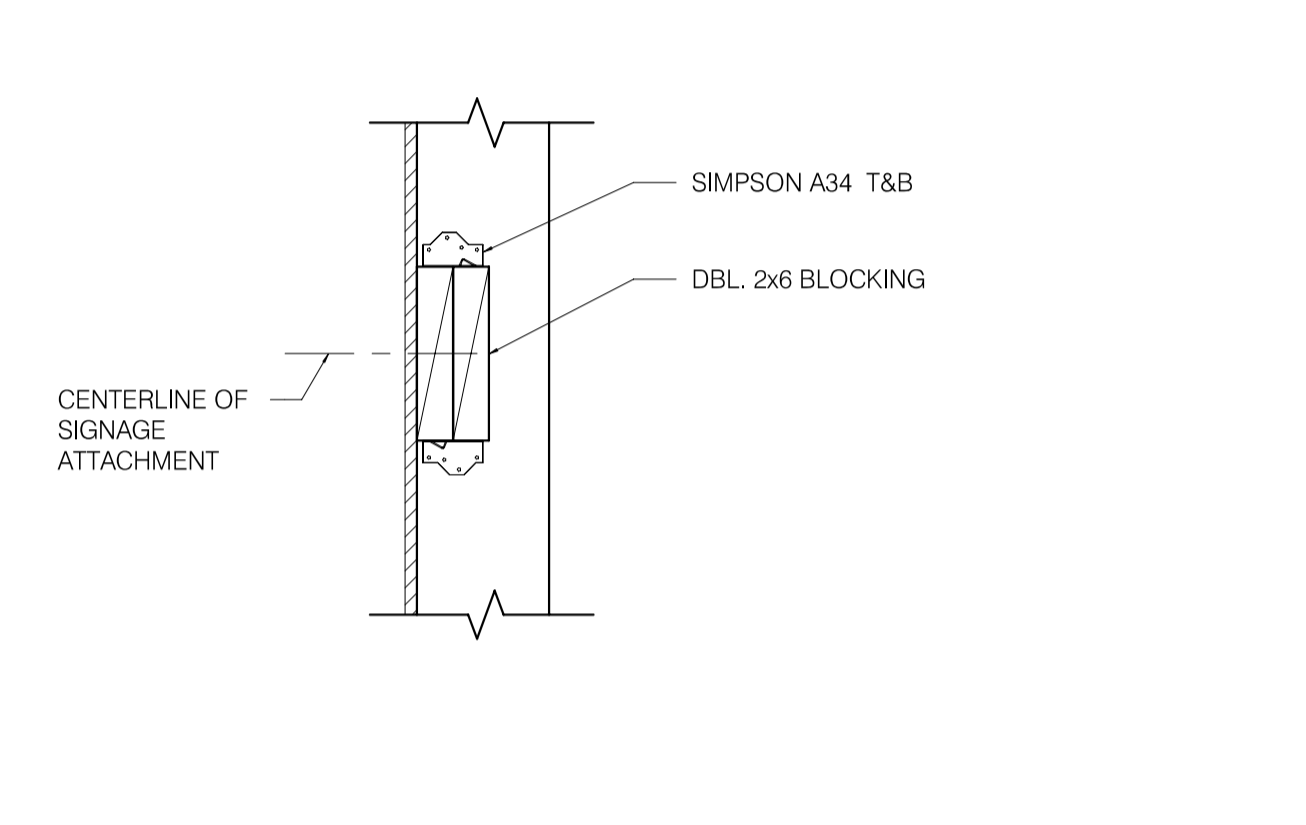
SECTION AT COOLER REAR 1 1/2" = 1'-0" **5**



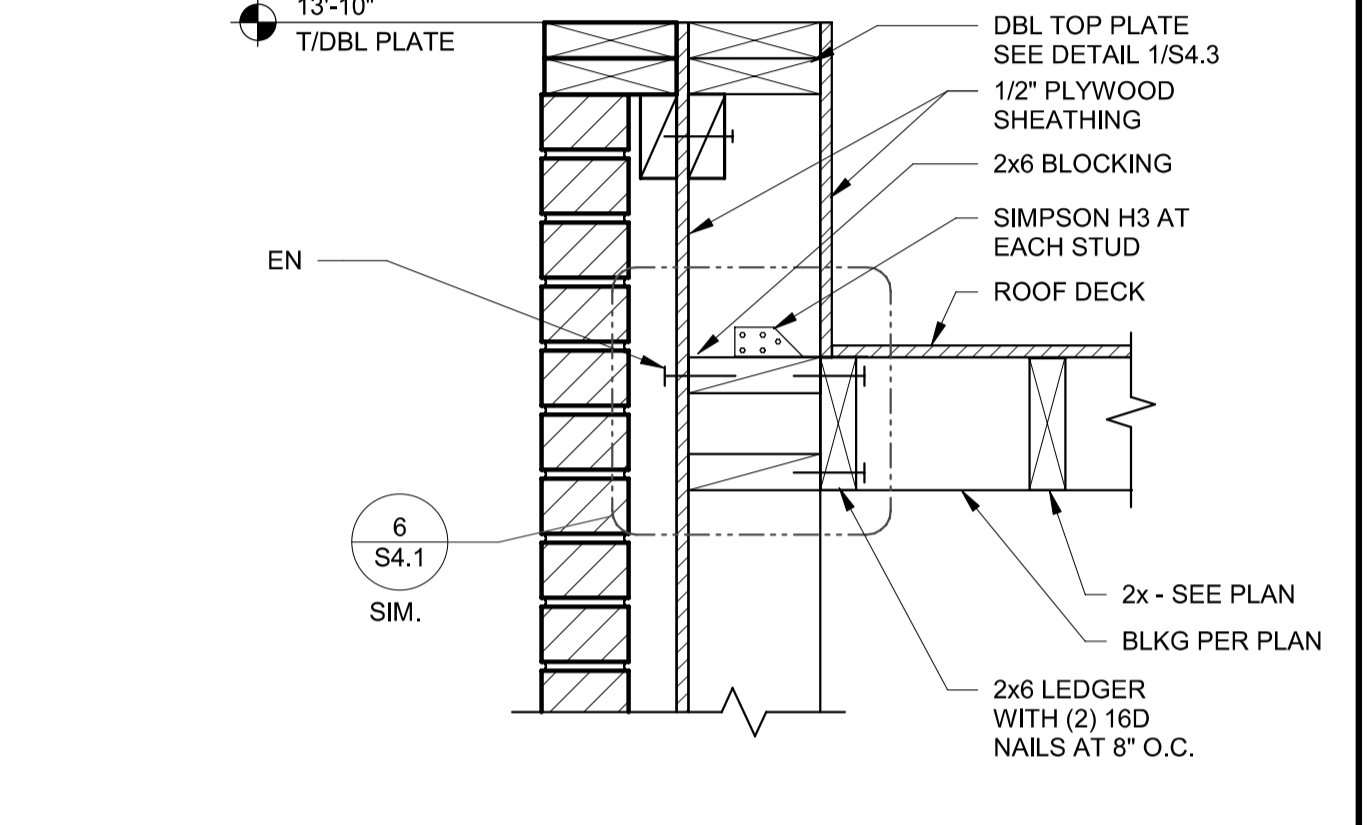
BRICK LEDGER DETAIL 1 1/2" = 1'-0" **9**



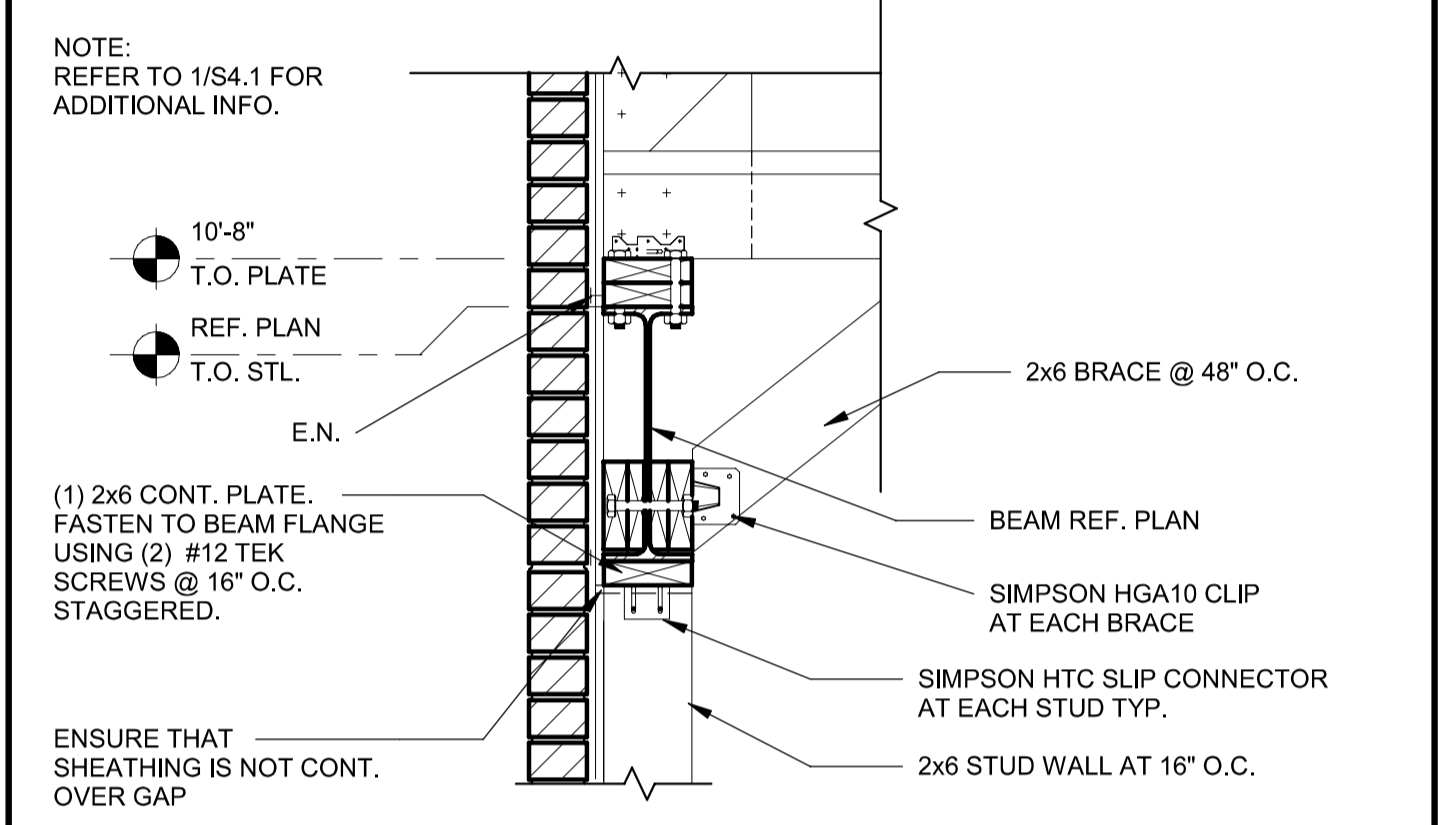
TIE-ROD BLOCKING 3" = 1'-0" **13**



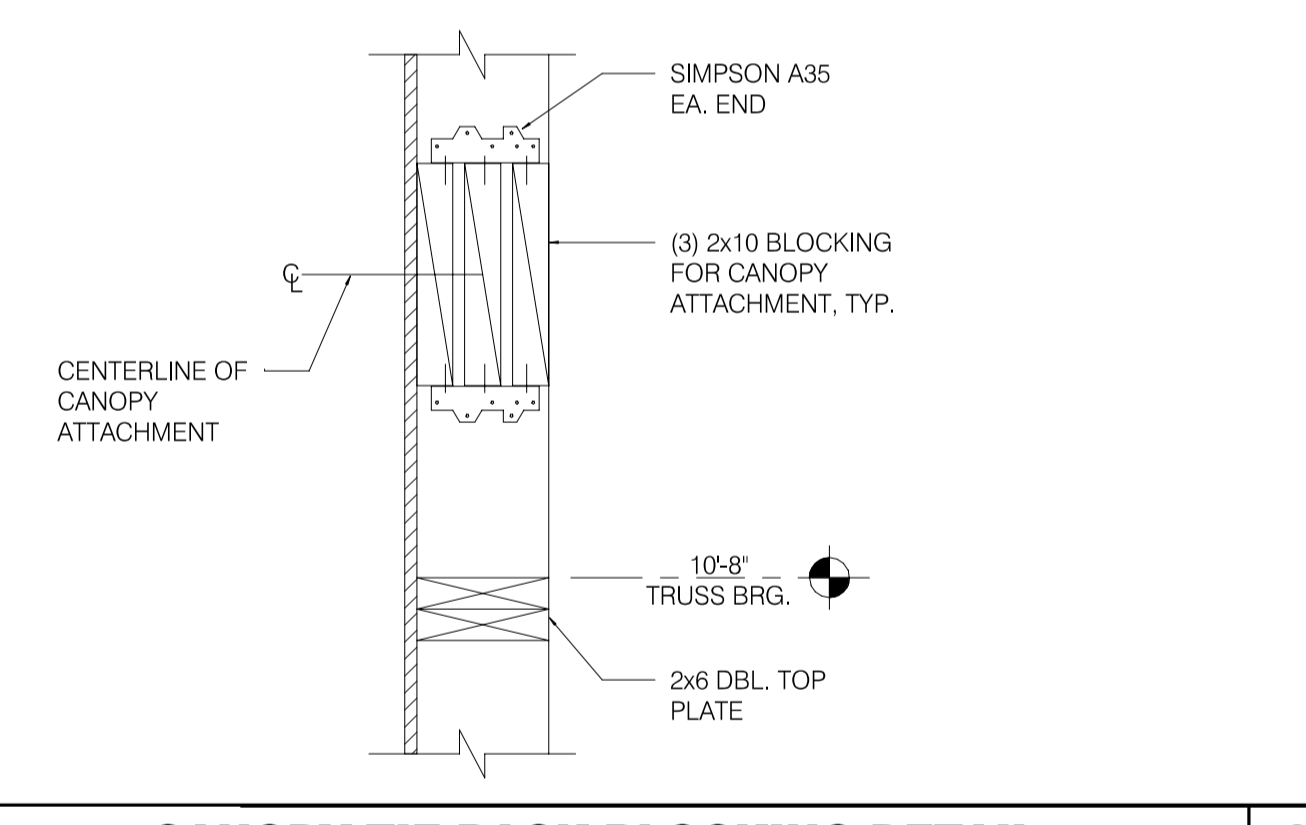
SIGNAGE ATTACHMENT BLOCKING DETAIL 1 1/2" = 1'-0" **2**



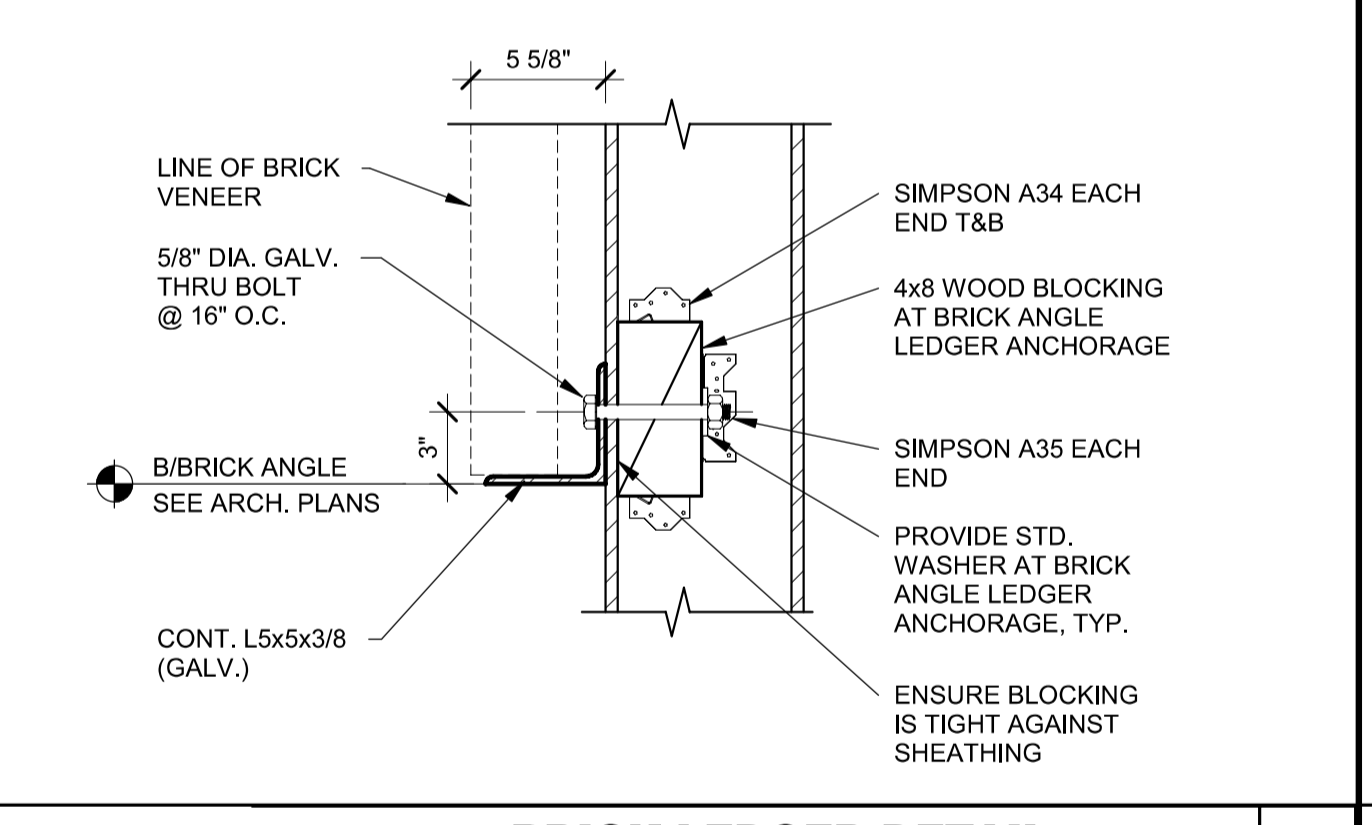
SECTION AT COOLER SIDES 1 1/2" = 1'-0" **6**



SECTION 1" = 1'-0" **10**



CANOPY TIE BACK BLOCKING DETAIL 12" = 1'-0" **3**



BRICK LEDGER DETAIL 1 1/2" = 1'-0" **7**

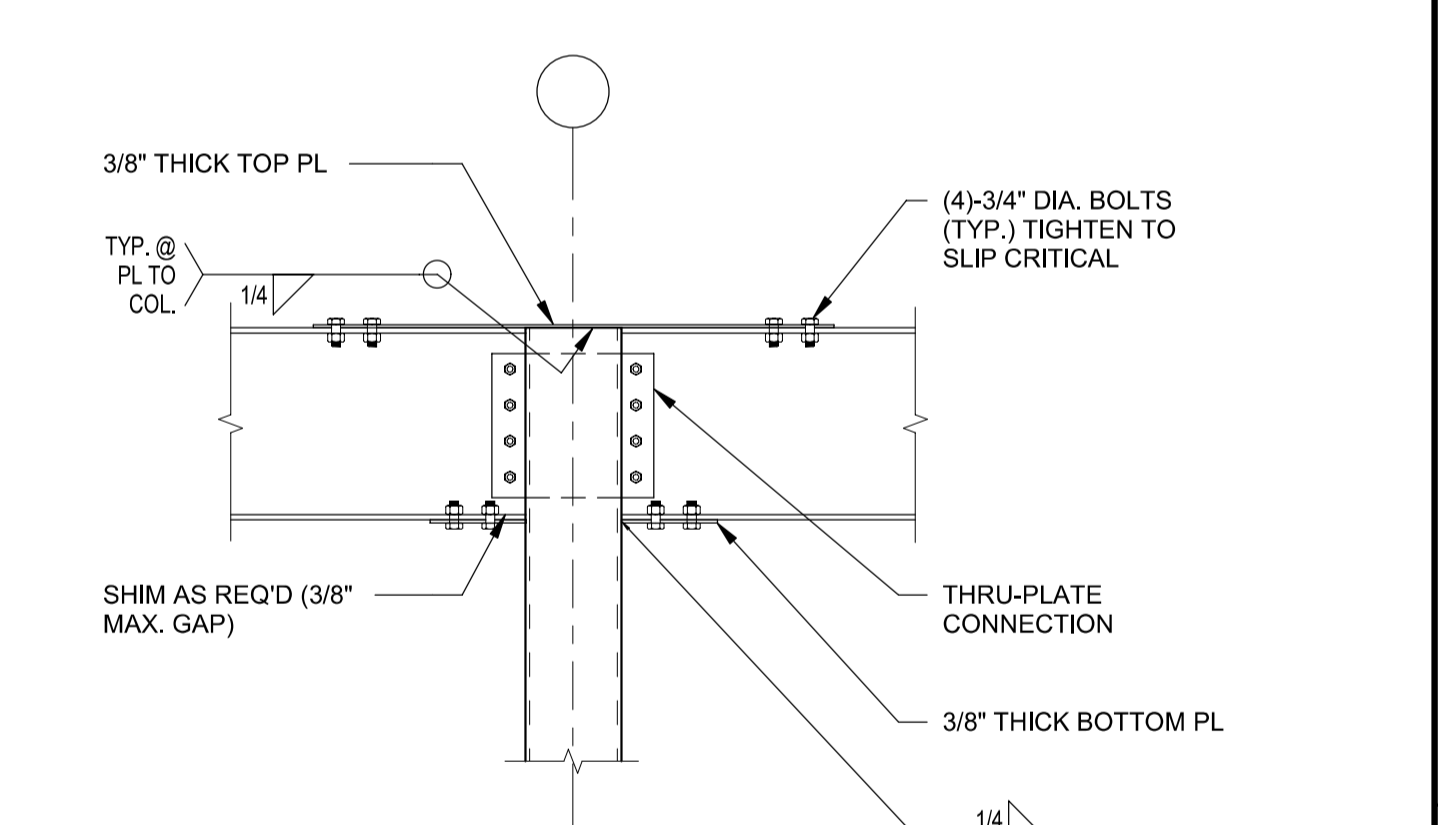


Diagram 1/4" = 1'-0" **11**

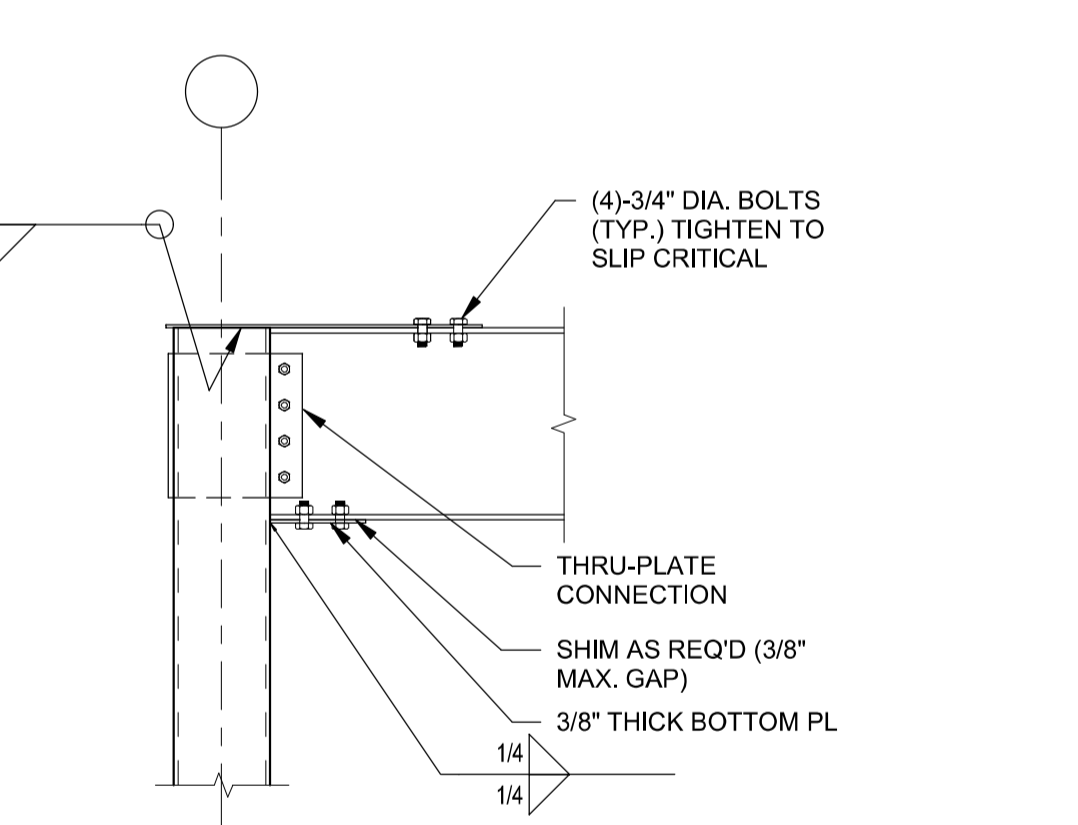
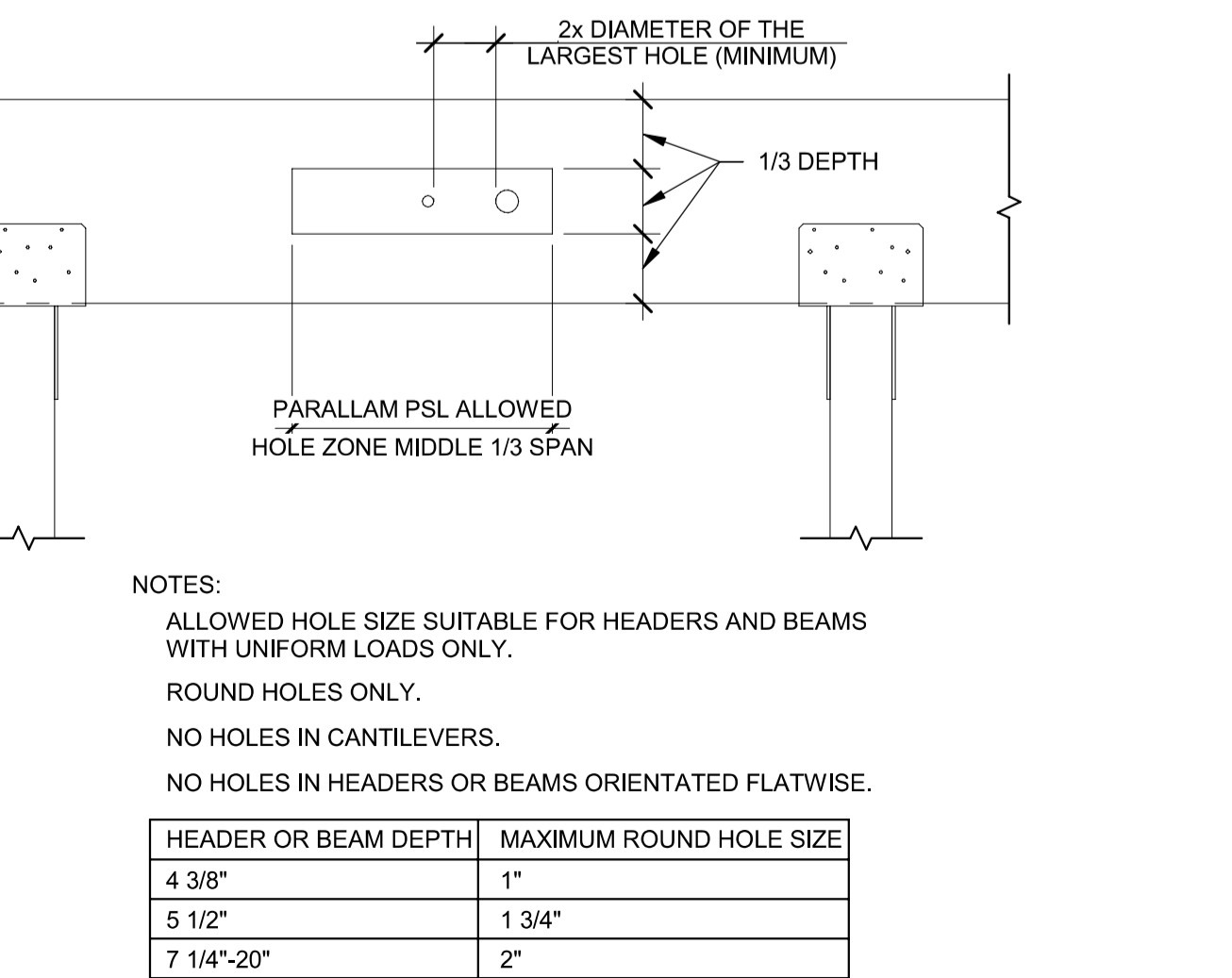
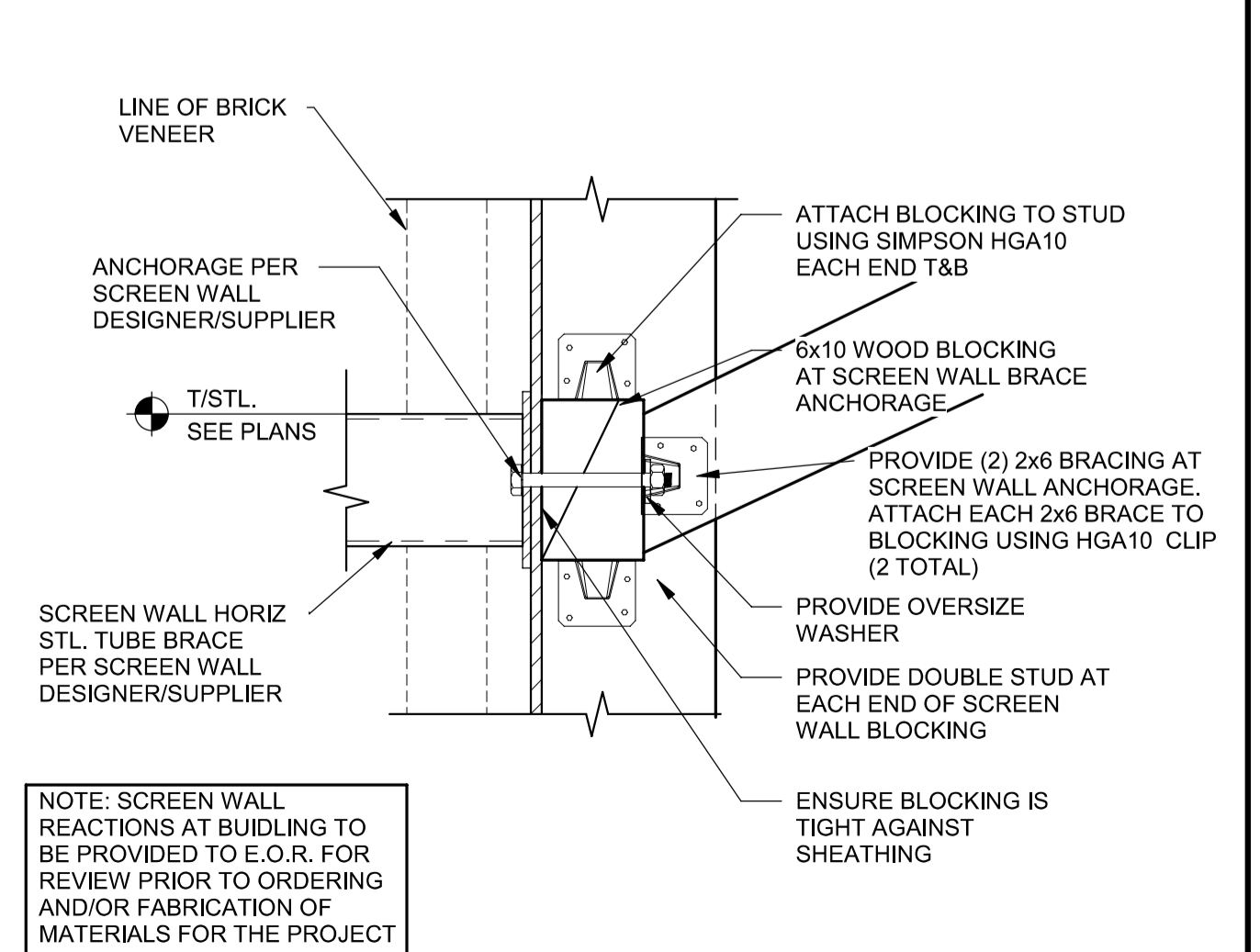


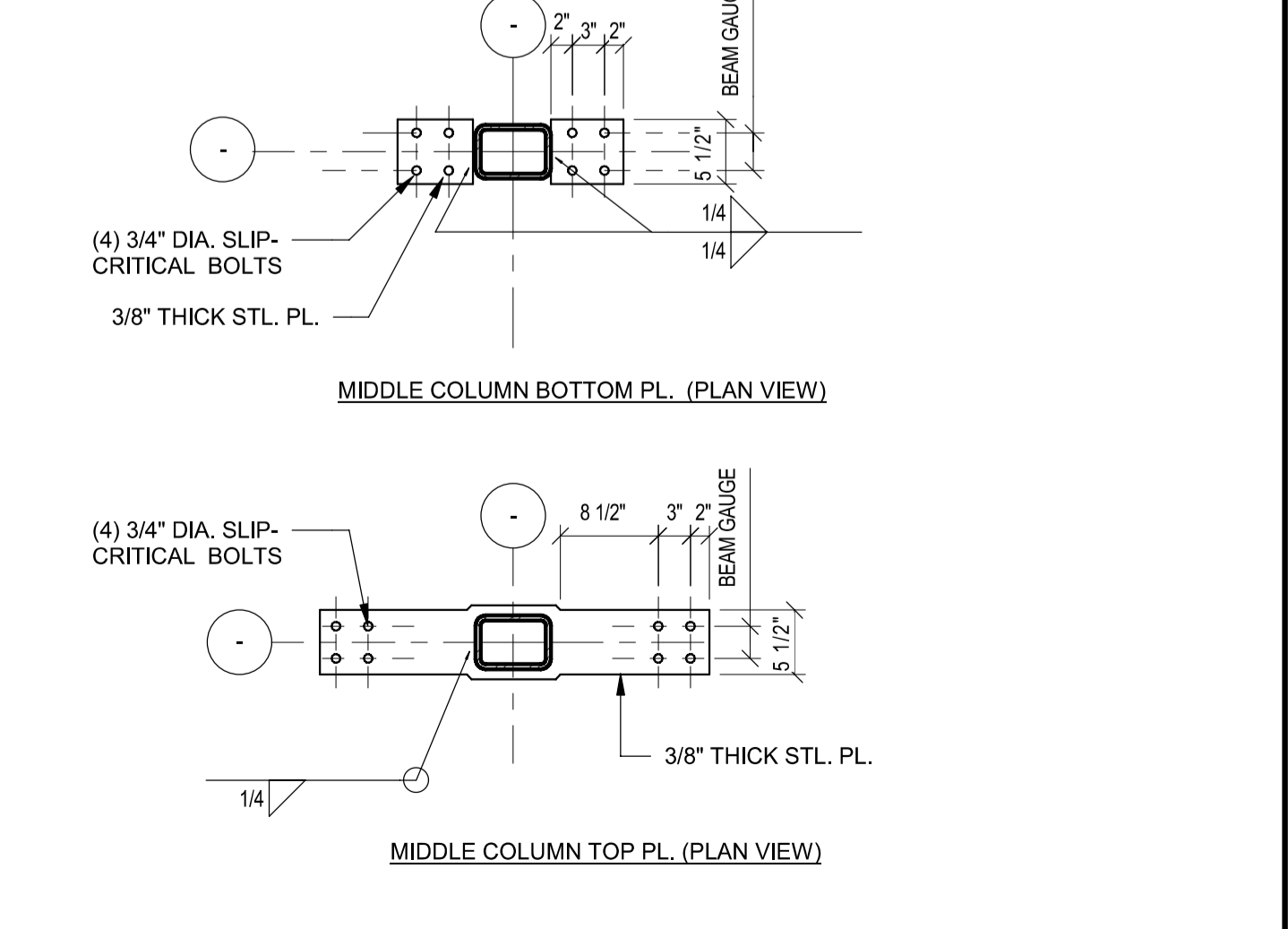
Diagram 1/4" = 1'-0" **11**



PSL BEAM PENETRATION DETAIL 3/4" = 1'-0" **4**



SCREEN WALL BRACE TO BUILDING DETAIL 1 1/2" = 1'-0" **8**



PARTIALLY RESTRAINED MOMENT CONNECTION DETAILS 3/4" = 1'-0" **12**

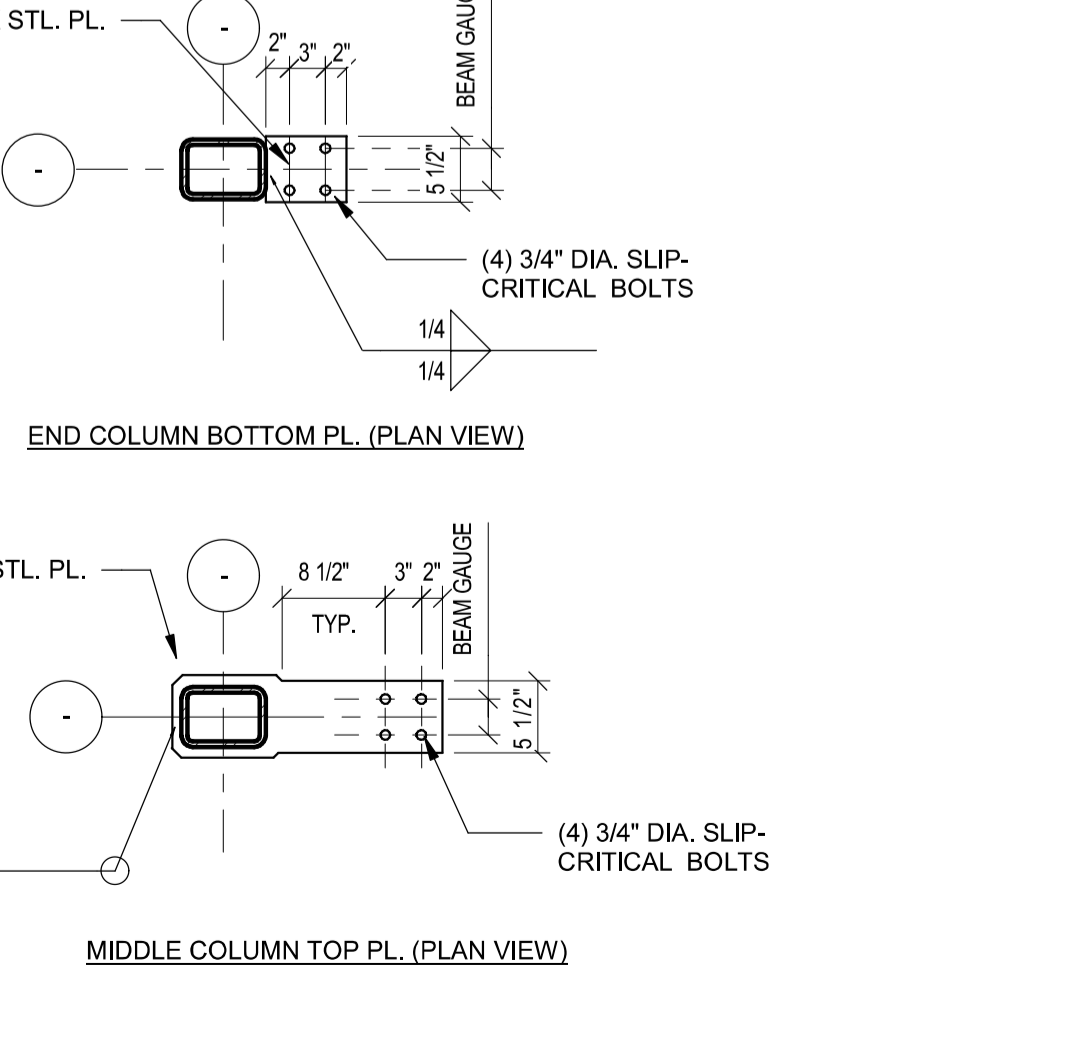


Diagram 1/4" = 1'-0" **11**