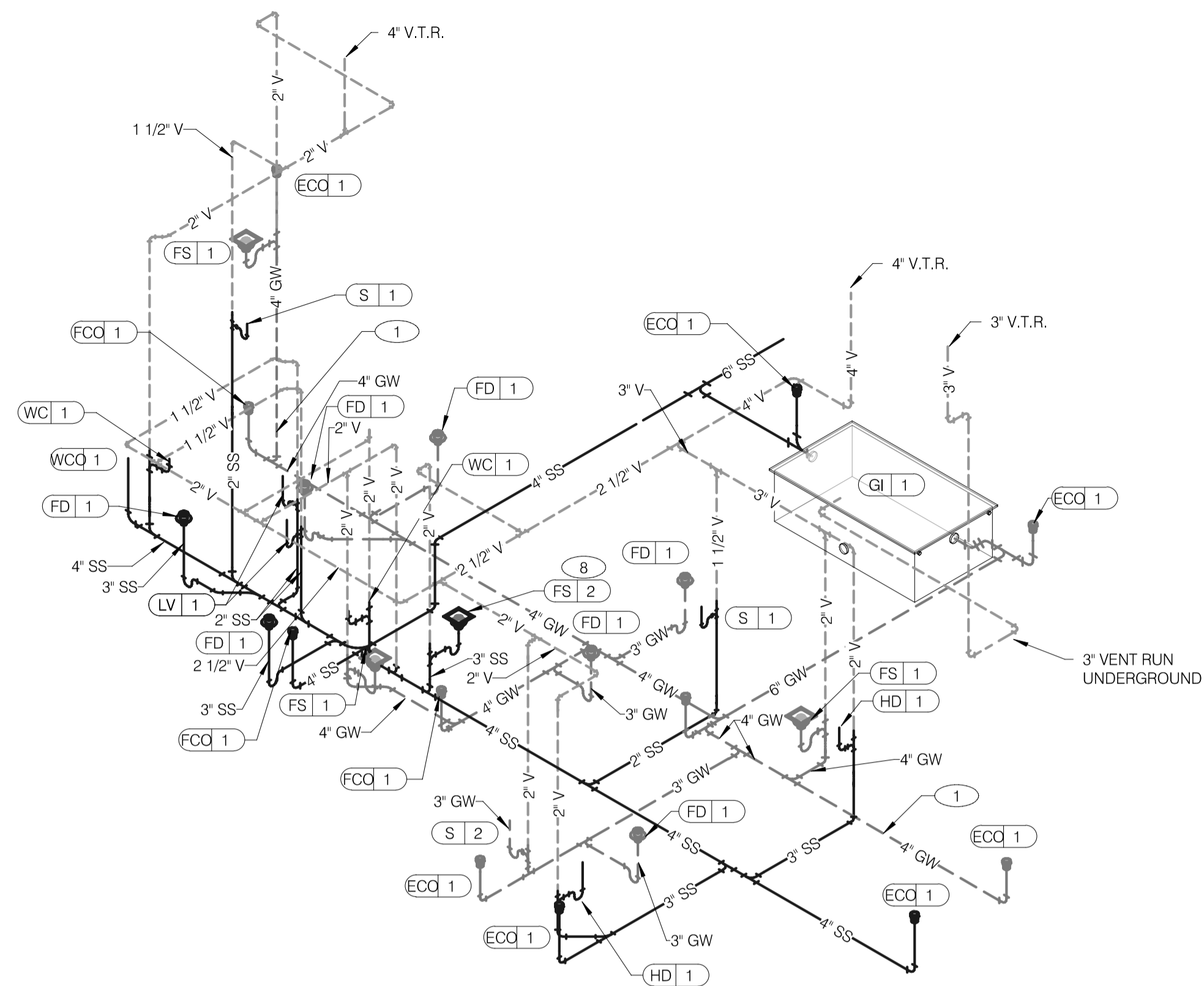


WATER ISOMETRIC NTS **4**

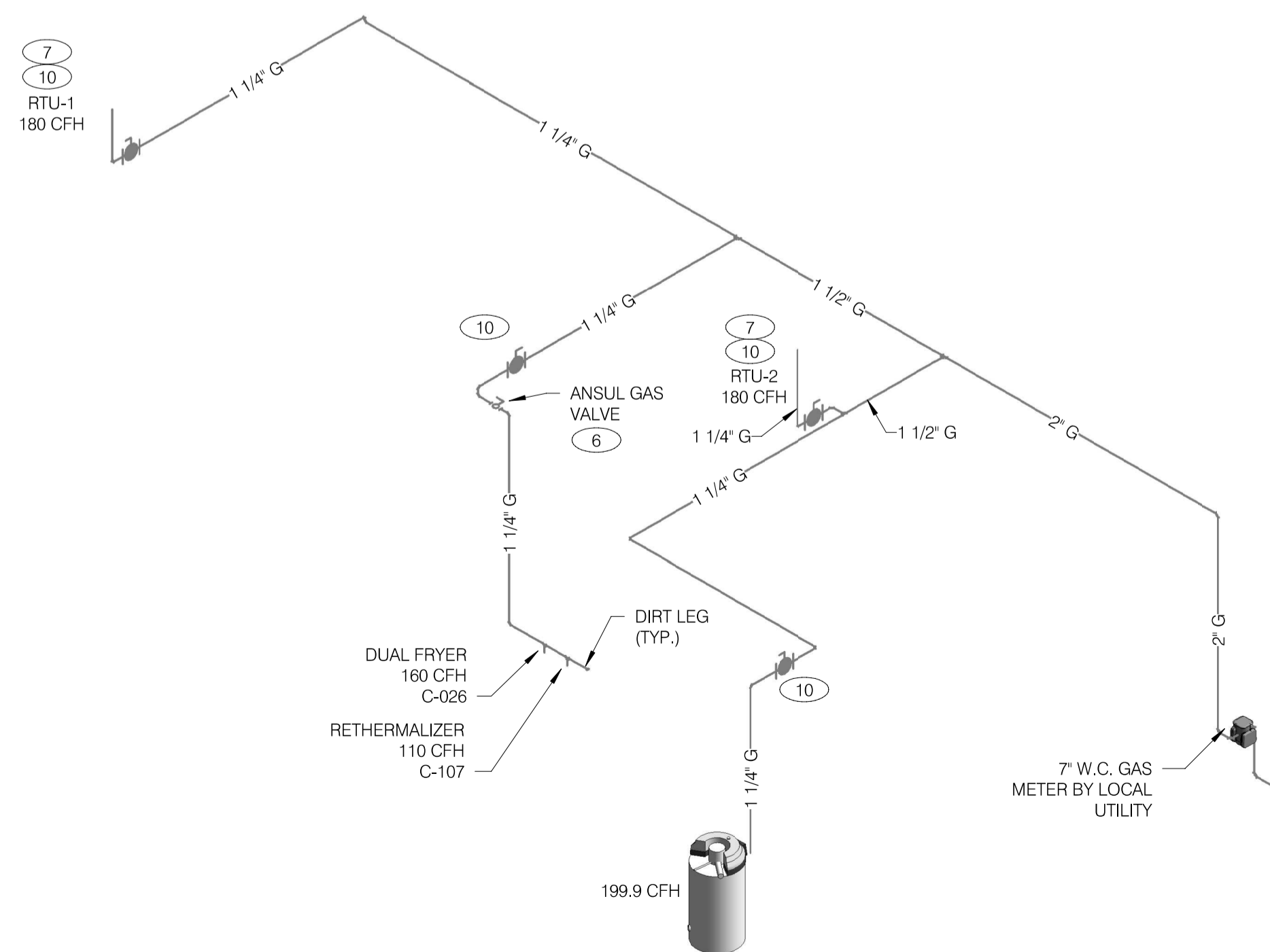


WASTE AND VENT ISOMETRIC NTS **1**

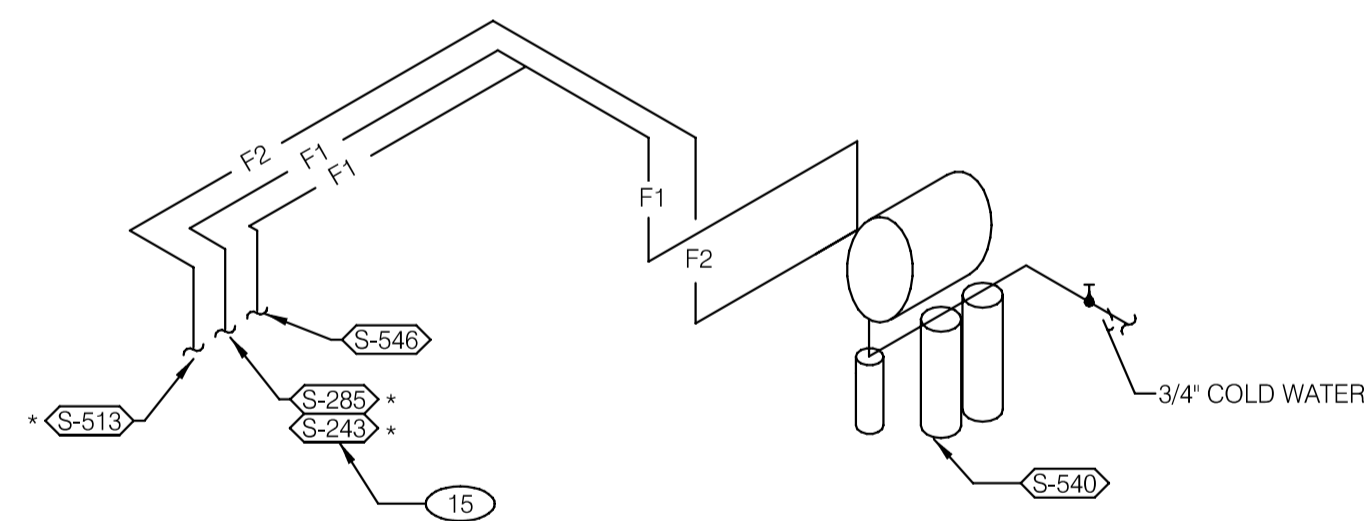
GAS DEMAND SCHEDULE	
RTU-1	180 CFH
RTU-2	180 CFH
WH-1	199.9 CFH
DUAL FRYER	160 CFH
RETHEMALIZER	110 CFH
TOTAL DEMAND	729.9 CFH = 829,900 BTUH

NOTE:
COORDINATE GAS DEMAND REQUIREMENTS WITH SITE-SPECIFIC RTU DESIGN.

PIPE SIZE BASED ON 120' OF PIPE AND 7" W.C. OPERATING PRESSURE



GAS ISOMETRIC NTS **5**



FILTERED EQUIPMENT AND LINES:

S-540 - WATER FILTER

FILTERED LINE (COLD WATER)

S-513 - ICE MAKER - ABOVE DRIVE-THRU BEVERAGE DISPENSER *

S-285 - DRIVE-THRU BEVERAGE DISPENSER *

S-546 - ICED TEA BREWER

S-543 - FROZEN BEVERAGE DISPENSER

* FILTERED WATER SUPPLIED VIA SYRUP BUNDLE. REFER TO 6/P6.0. SEE SCOPE OF WORK FOR RESPONSIBILITIES.

FILTERED WATER ISOMETRIC NTS **2**

- 1 ENTIRE RUN OF DRAIN LINES ON INLET TO GREASE TRAP SHALL BE SCHEDULE 40 PVC OR NO HUB CAST IRON AS REQUIRED BY CODE.
- 2 1/2" TEMPERED WATER DOWN IN WALL TO HAND SINK / LAVATORY.
- 3 1/2" HOT AND COLD WATER LINES DOWN IN WALL TO PREP SINK.
- 4 THERMOSTATIC MIXING VALVE.
- 5 METER AND REDUCED BACKFLOW PREVENTER PER LOCAL UTILITY REQUIREMENTS. METER LOCATED OUTSIDE. VERIFY LOCATIONS WITH CIVIL DRAWINGS.
- 6 EMERGENCY GAS SHUT-OFF VALVE (NORMALLY CLOSED) SHALL BE ELECTRIC SOLENOID TYPE WITH SPRING RETURN AND 24 VOLT ACTUATOR. SUITABLE FOR USE ON GAS PIPING SYSTEMS. VALVE SHALL BE ACTIVATED BY ANY OF THE EXHAUST HOOD FIRE SUPPRESSION SYSTEM. PROVIDE RELAYS AS REQUIRED TO ACTIVATE SHUT-OFF VALVE.
- 7 GAS PIPING AT ROOF TOP UNIT FOR THROUGH THE BASE PIPE CONNECTION. SHUT-OFF VALVE SHALL BE LOCATED OUTSIDE OF THE UNIT.
- 8 PROVIDE NO HUB CAST IRON PIPE FOR FIRST 10 FEET OF PIPE FROM CONNECTION TO FLOOR SINK FS-2
- 9 PIPE T&P RELIEF VALVE TO OUTSIDE OF BUILDING OR TO HUB DRAIN. RUN FULL SIZE PIPE FROM VALVE WITH TYPE "K" COPPER TUBING.
- 10 PROVIDE GAS SHUT-OFF VALVE IN CEILING SPACE.
- 11 1/2" HOT WATER PIPE DOWN IN WALL. PROVIDE SHUT-OFF VALVE OUTSIDE OF WALL FOR CONNECTION TO RETHEMALIZER.
- 12 1/2" COLD WATER CONNECT TO REVERSE OSMOSIS FILTER AND 1/2" FILTERED WATER FROM REVERSE OSMOSIS FILTER. PROVIDE SHUT-OFF ON CW PIPE PRIOR TO CONNECTION TO FILTER.
- 13 1/2" RO WATER FROM REVERSE OSMOSIS FILTER DOWN IN UTILITY CHASE OF M.A.P.S. LINE. PROVIDE SHUT-OFF VALVE ON FW PIPE IN CEILING NEAR UTILITY CHASE.
- 14 1/2" COLD WATER TO HOT WATER SYSTEM FILTER.
- 15 TEE OFF 3/8" LINE FROM DRIVE THRU BEVERAGE DISPENSER FILTERED WATER SUPPLY. SEE DETAIL 8/P6.0.
- 16 1/2" COLD WATER. CONNECT TO WATER FILTER FOR BUNN POD BREWER S-547. PROVIDE SHUT-OFF VALVE PRIOR TO CONNECTION TO THE WATER FILTER.
- 17 ROUTE HOT WATER MAIN DOWN IN WALL.

KEYNOTES - ISOMETRICS NTS **3**

DATE	REMARKS
07.19.22	Issued for Bid
2 09.09.22	NTP Comments

CONTRACT DATE: 02.28.22
 BUILDING TYPE: END.MED20
 PLAN VERSION: MARCH 2021
 BRAND DESIGNER: DICKSON
 SITE NUMBER: 314481
 STORE NUMBER: 454078
 PA/PM: SM
 DRAWN BY.: TH
 JOB NO.: 2020088.03

TACO BELL
 18550 E. WARREN AVE.,
 DETROIT, MI 48236



**ENDEAVOR 2.0
 RISER
 DIAGRAMS**

P5.0

PLOT DATE: 9/9/2022 9:32:13 AM