


| | | |
|----------------------------|---------------------------|-----------------------------------|
| MODEL#: STRATOVENT-SVND2 | TAG: KH-1_(LEFT) | CERTIFICATIONS: UL-710/NSF/NFPA96 |
| LENGTH: 10'-6" | WIDTH (IN): 54" | HEIGHT (IN): 24" |
| PSP SUPPLY PLENUM: 14"W | EXHAUST CFM: 1700 | SUPPLY CFM: 1360 |
| EXHAUST SP: 0.6"_HOOD-ONLY | SUPPLY SP: 0.2"_HOOD-ONLY | EXHAUST FPM: 1749 |
| SUPPLY FPM: 291 | DUCT SIZE: 10"x14" | DUCT SIZE: (2)-12"x28" |
| FILTERS: LISTED-S/S_BAFFLE | QTY: (7)-16"x16" | FIRE SUPPRESSION: ANSUL-R102 |
| LIGHT QTY: (5) A19/CFL | CONTROL SWITCH: SHARED | HANGING WEIGHT: 690-LBS |

| | | |
|----------------------------|---------------------------|-----------------------------------|
| MODEL#: STRATOVENT-SVND2 | TAG: KH-2_(RIGHT) | CERTIFICATIONS: UL-710/NSF/NFPA96 |
| LENGTH: 10'-6" | WIDTH (IN): 54" | HEIGHT (IN): 24" |
| PSP SUPPLY PLENUM: 14"W | EXHAUST CFM: 1700 | SUPPLY CFM: 1360 |
| EXHAUST SP: 0.6"_HOOD-ONLY | SUPPLY SP: 0.2"_HOOD-ONLY | EXHAUST FPM: 1749 |
| SUPPLY FPM: 291 | DUCT SIZE: 10"x14" | DUCT SIZE: (2)-12"x28" |
| FILTERS: LISTED-S/S_BAFFLE | QTY: (7)-16"x16" | FIRE SUPPRESSION: ANSUL-R102 |
| LIGHT QTY: (5) A19/CFL | CONTROL SWITCH: SHARED | HANGING WEIGHT: 690-LBS |

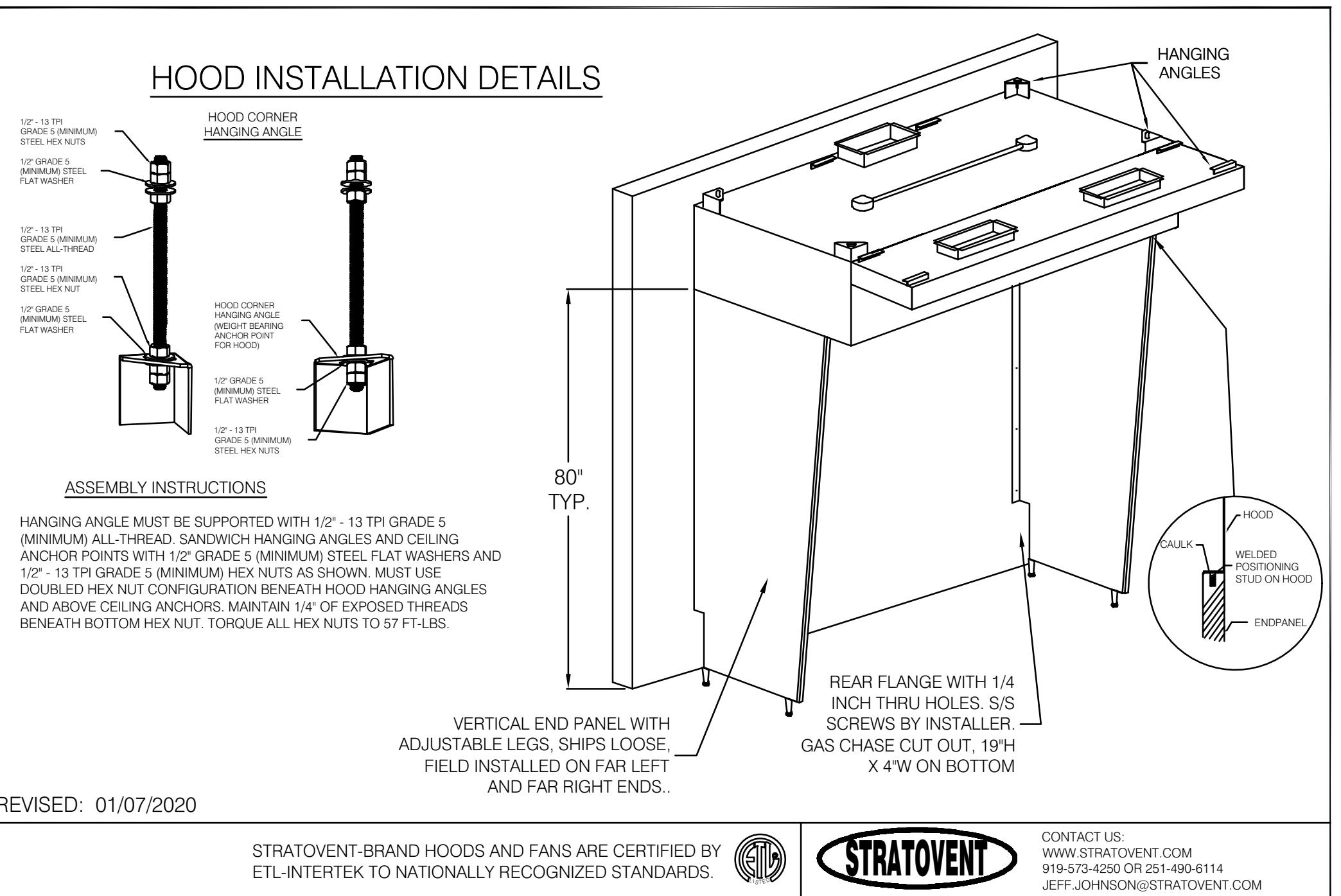
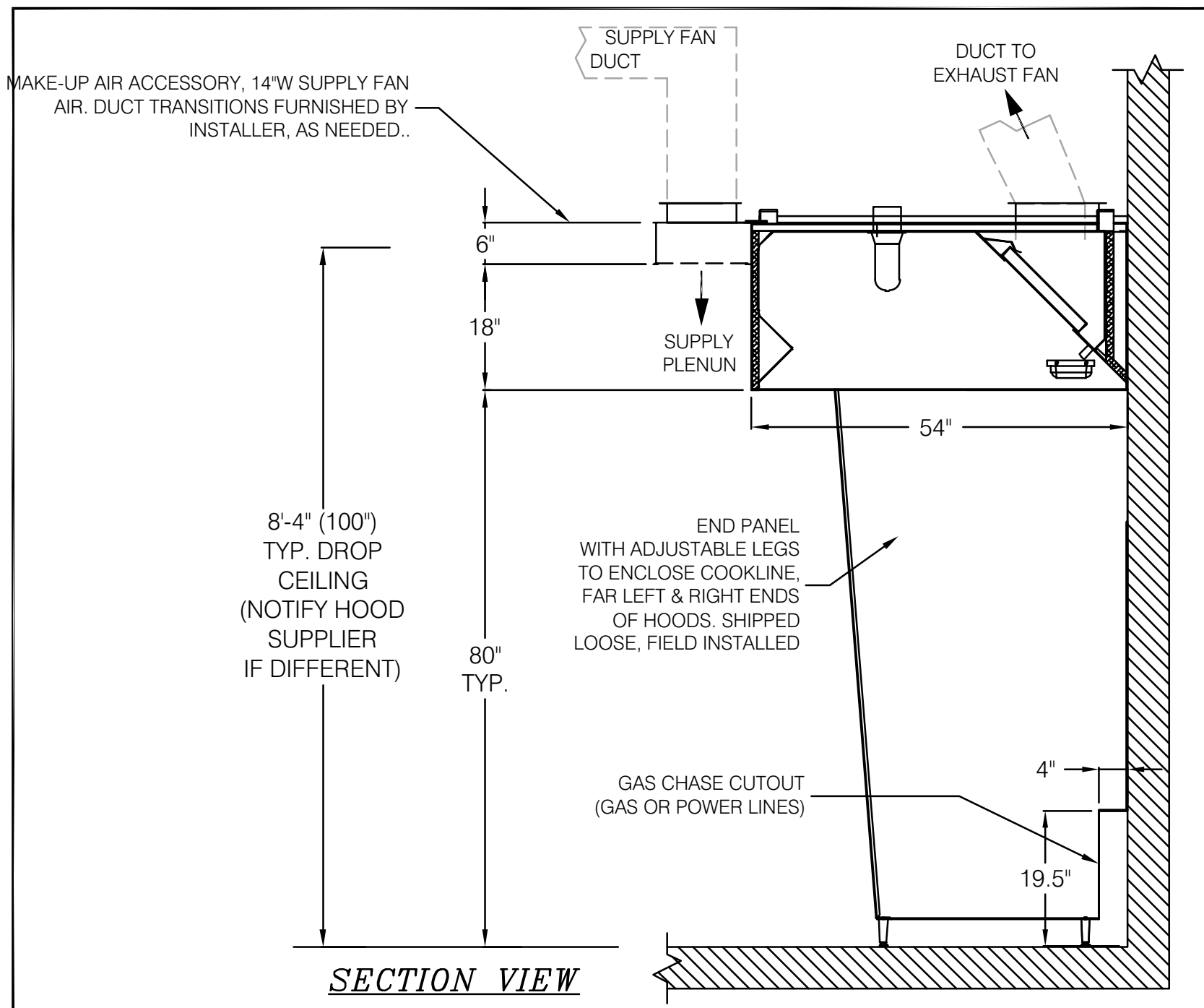
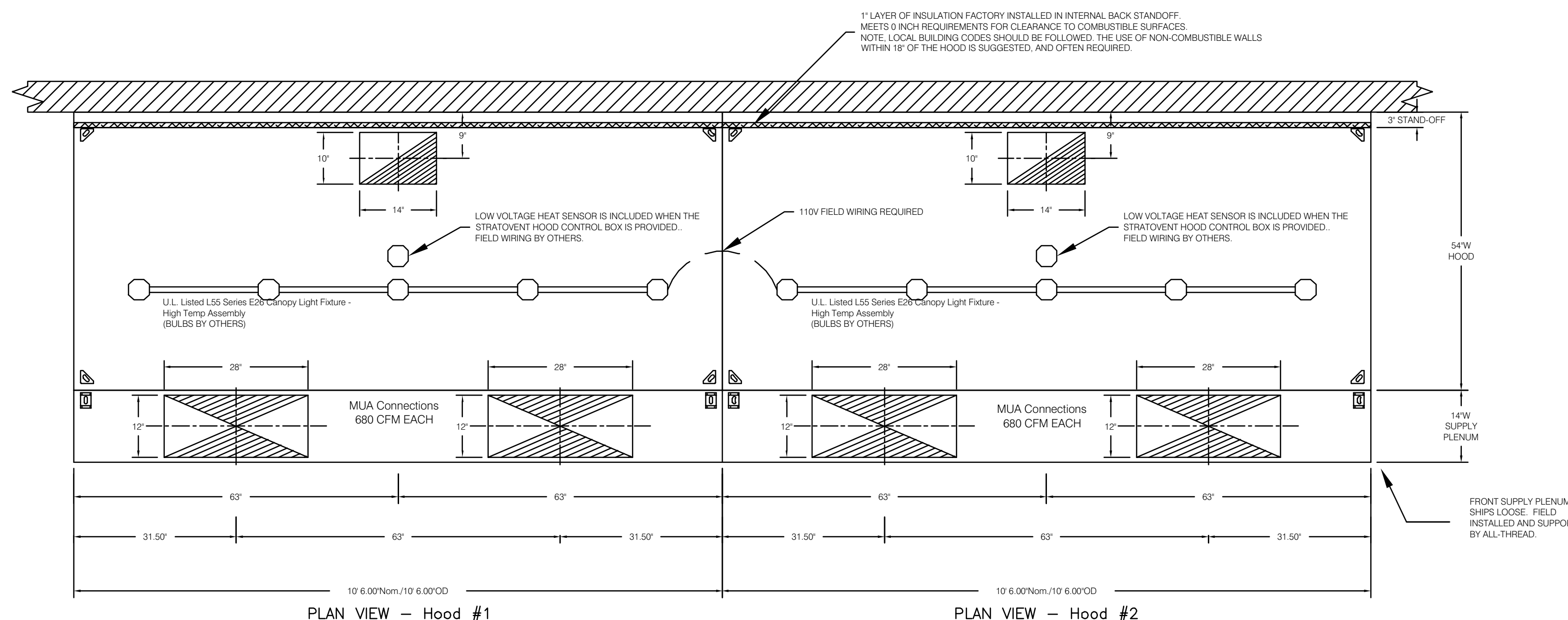
STRATOVENT HOODS
BUILT IN COMPLIANCE WITH



NFPA #96
NSF STANDARD #2
UL STANDARD 710
ETL FILE NO. 3054804-001

CANOPY STYLE HOOD, LISTED TO UL-710
STANDARDS:
- MODEL: SVND2
- DESIGN TEMP: 450F
- OVERHANG: 6" (OPEN SIDES)
- OVERHANG: 0" (ENCLOSED SIDES)

REVIEWED
For Code Compliance
City of Ocala Growth Management
BLD22-1101 09/07/22



Stratovent
www.stratovent.com
919.573.4250

4641 Paragon Park, Raleigh, NC, 27616 PHONE: (919) 573-4250 FAX: (919) 573-4251 EMAIL: jeff.johnson@stratovent.com

KFC
ADDRESS
ANYTOWN, USA

DATE: 01/23/2020

DWG.#:
4148203

DRAWN BY:
JJ-REG24

SCALE:
NTS

MASTER DRAWING

SHEET NO.
1

ARCHITECTURE
ENGINEERING

LIS

ENGINEERING OFFICE
21430 Palm Beach Blvd.
Avalon, Fla. 334920
Phone: (239) 693-9244
facsimile: (239) 693-9828

ARCHITECTURE / ENGINEERING OFFICE
10000 S. Pine Ridge Rd.
Suite 2064, Ocala, FL 32765
Phone: (321) 244-0402
facsimile: (321) 244-9419

Digitally signed by
ROBERT W CASE
Date: 2022.03.31
10:27:28 -04'00'
ROBERT WAYNE CASE
FLORIDA PE. #44643

PLAN SET REVISIONS:

| | |
|--|--|
| | |
| | |
| | |
| | |
| | |
| | |
| | |
| | |
| | |
| | |
| | |
| | |

CONTRACT DATE: .-.-.2019
BUILDING TYPE: Kb 30-19
PLAN VERSION: 2018.A
SITE NUMBER:
ENTITY NUMBER:
STORE NUMBER:
LIS PROJECT: 2019-304

KFC
3615 W SILVER SPRINGS BLVD.
OCALA, FL



HOOD PLAN ELEVATIONS AND SECTIONS

M3.0