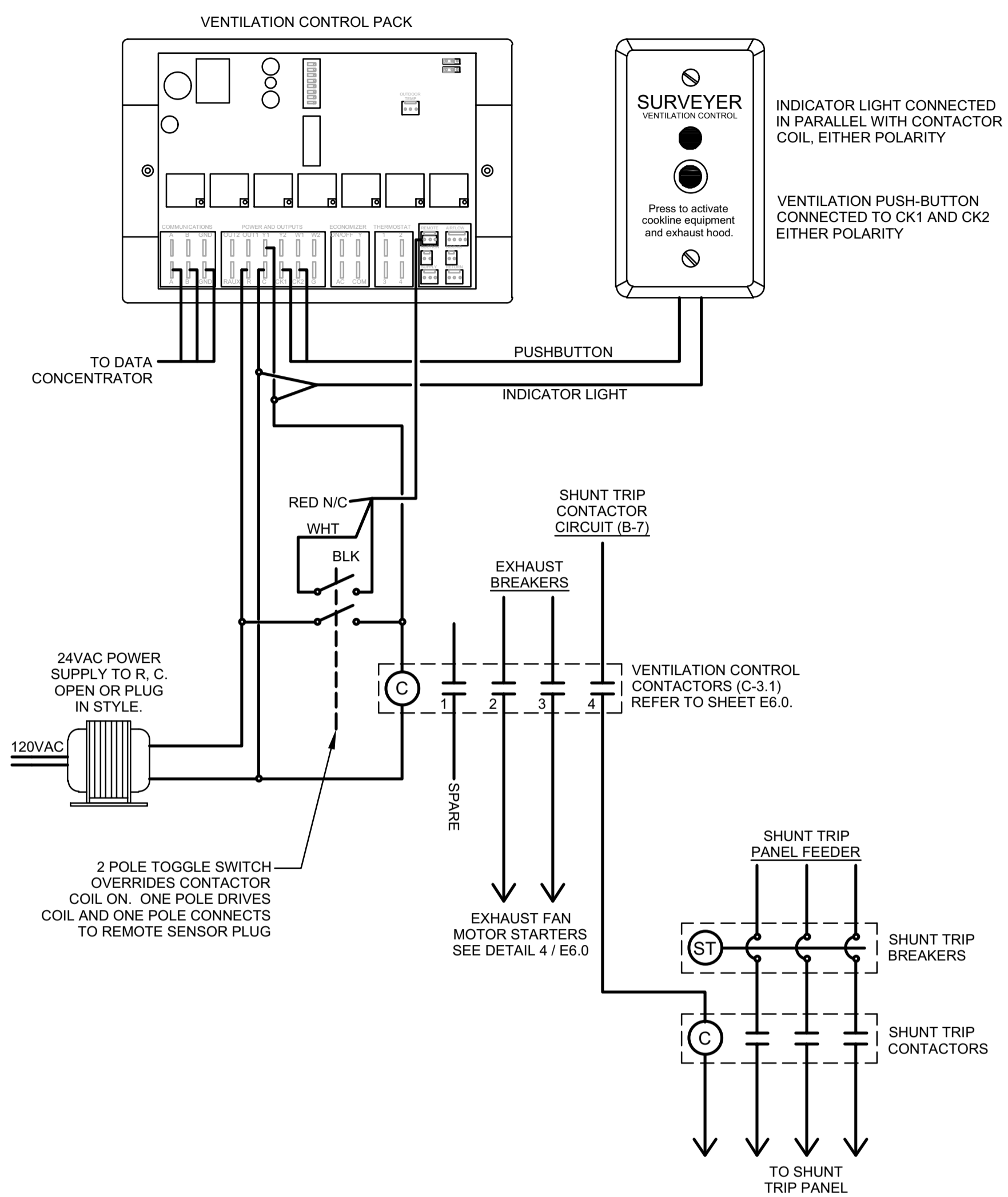
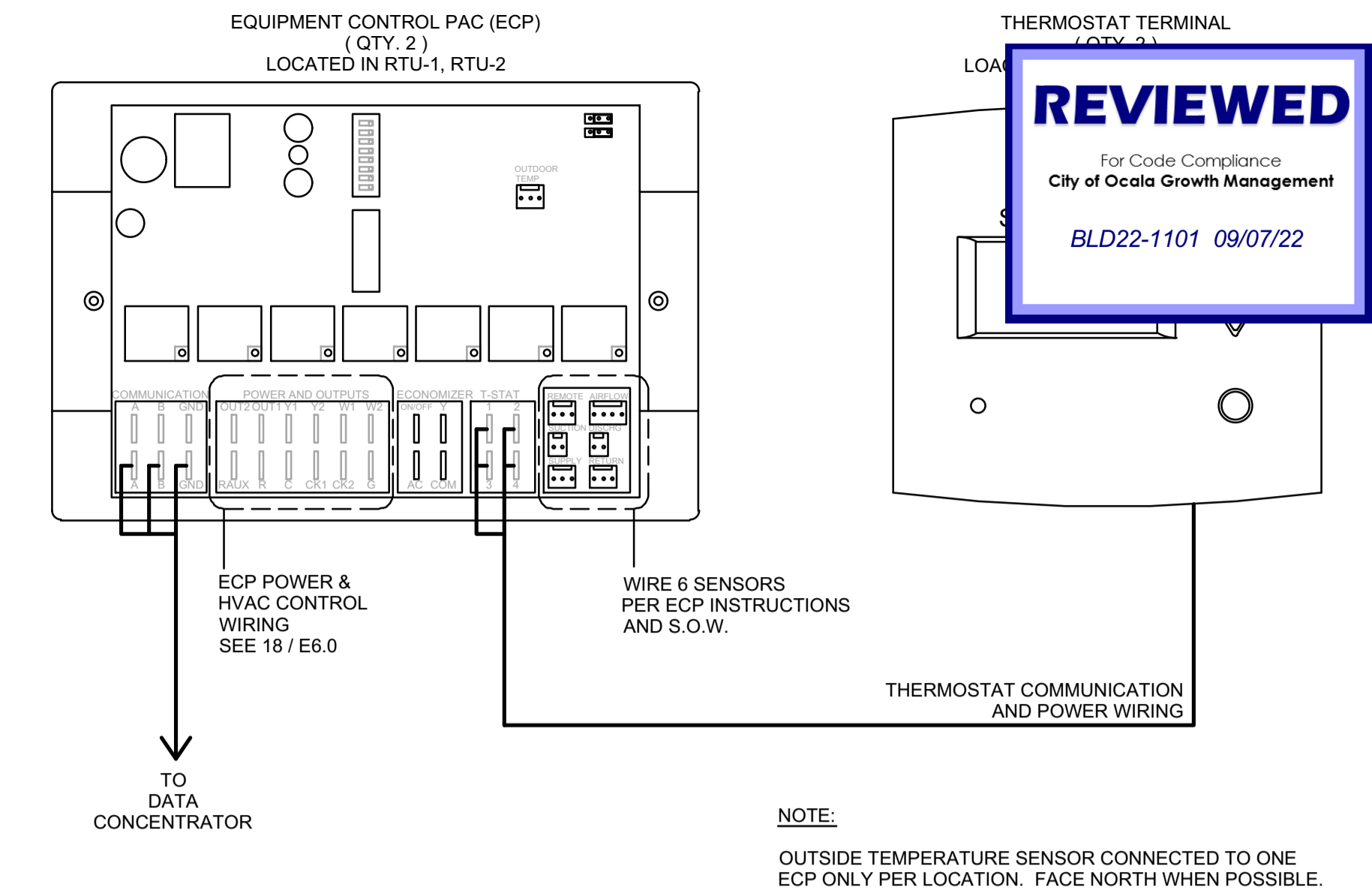


- POWER MONITORING NOTES:**
1. DENT POWER SCOUT NEEDS TO BE PRE-CONFIGURED TO MATCH CT SIZE.
 2. CT SIZES AND STYLES VARY TO MATCH APPLICATION.
 3. WHITE VOLTAGE LEAD CONNECTED TO NEUTRAL / GROUND.
 4. SEE POWER SCOUT DOCUMENTATION FOR ADDITIONAL INSTALLATION DETAILS AND SCHEMATICS.
 5. HVAC POWER MONITORING ONLY ON SELECTED TEST LOCATIONS.

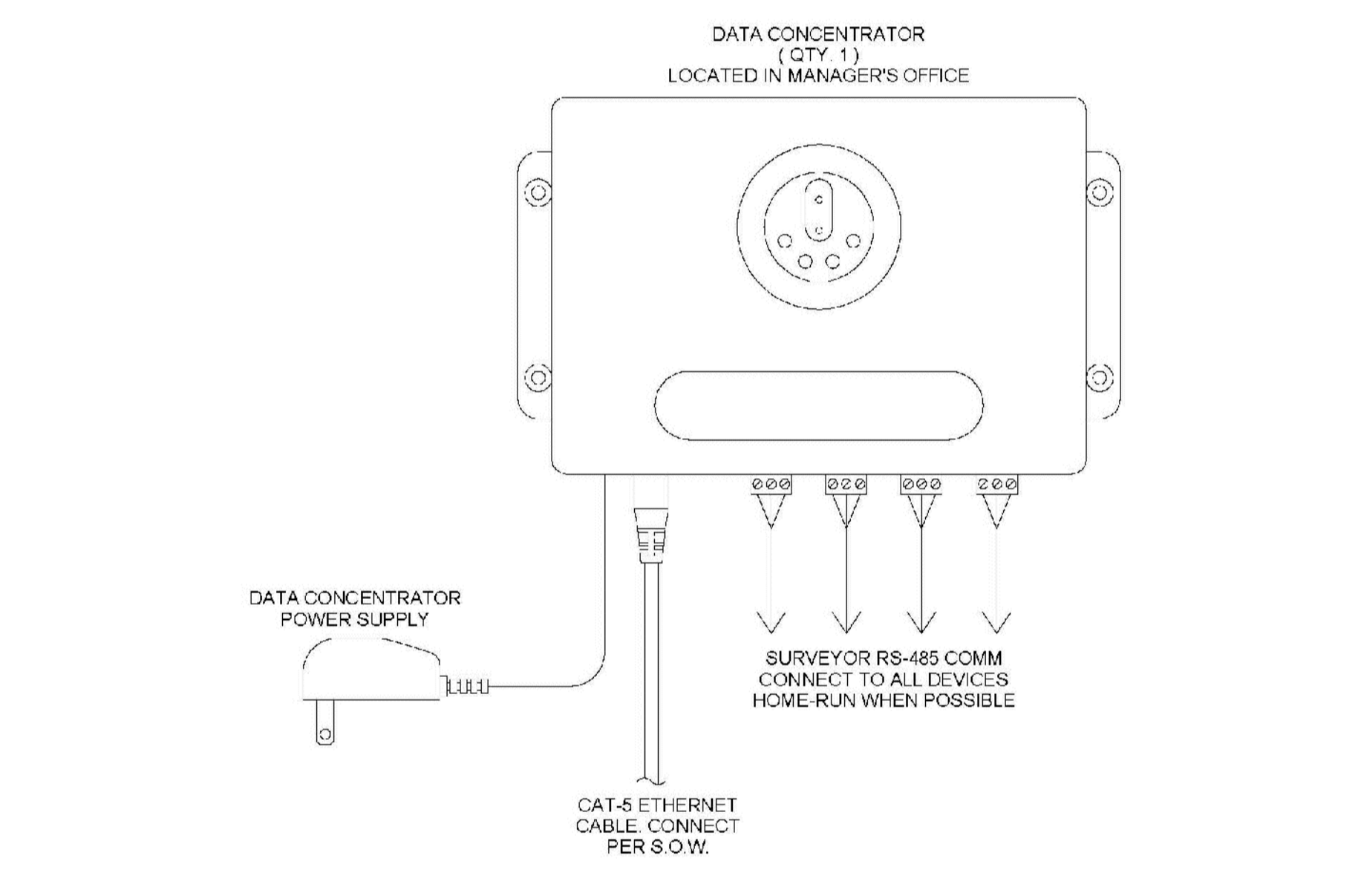
POWER MONITORING N.T.S. **11**



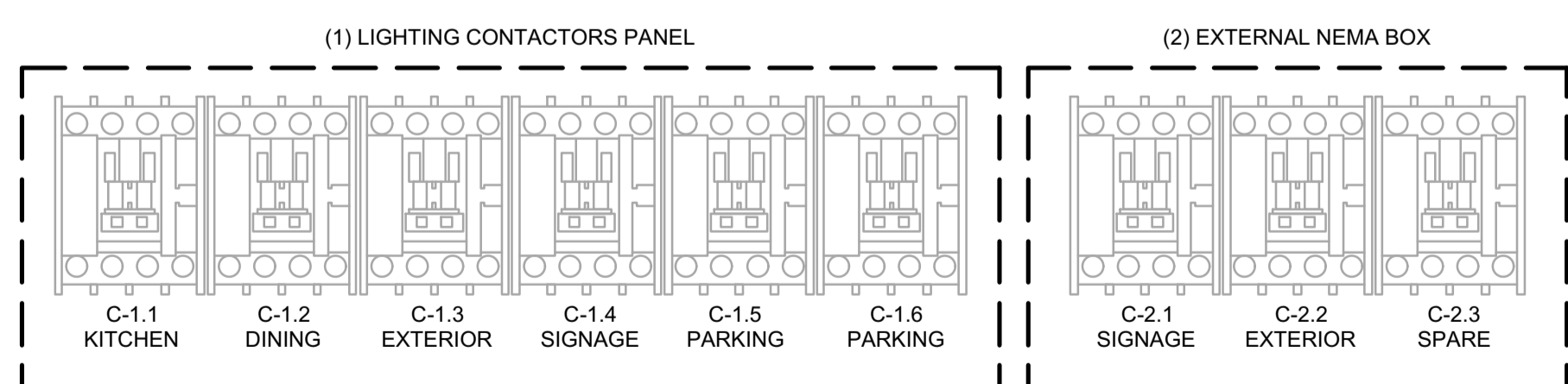
VENTILATION CONTROL N.T.S. **8**



HVAC CONTROL N.T.S. **1**

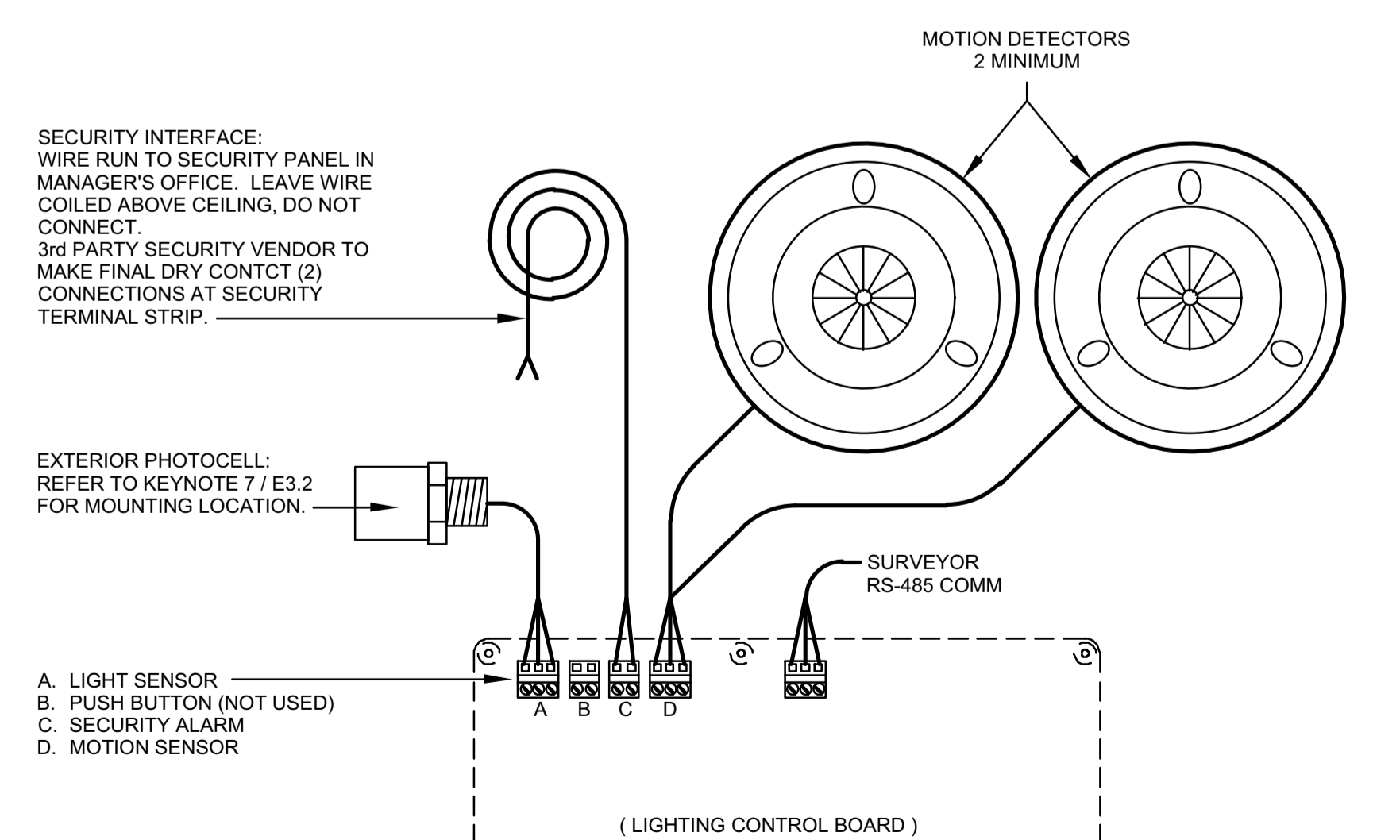


DATA CONCENTRATOR N.T.S. **2**

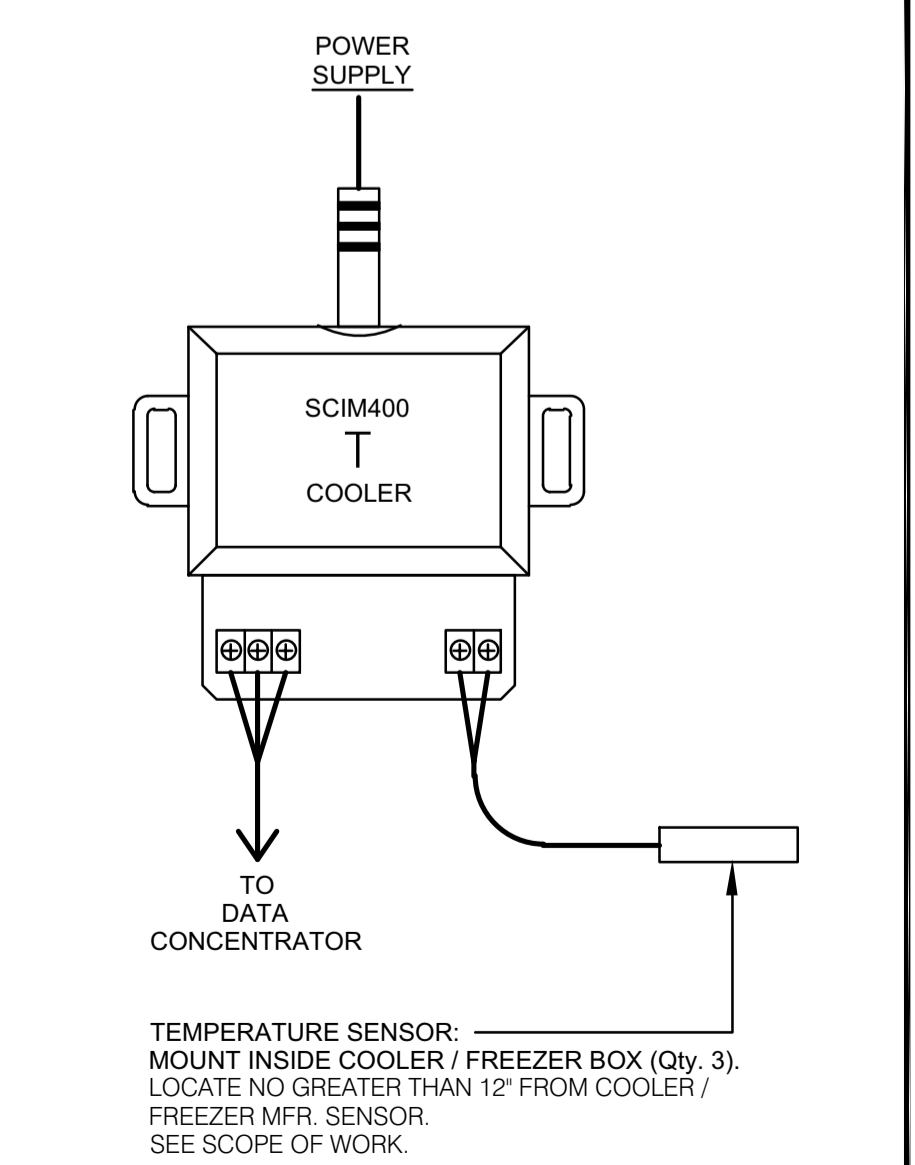


- LIGHTING CONTACTOR NOTES:**
1. WIRE COILS OF SLAVE CONTACTORS TO CORRESPONDING COILS IN LIGHTING CONTROL.
 2. COORDINATE WITH LIGHTING CONTACTOR DETAIL 8 / E6.0.
 3. LIGHTING CONTACTORS PANEL, EXTERNAL NEMA BOX, and ALL ASSOCIATED CONTACTORS BY GC.

LIGHTING CONTACTOR SCHEDULE N.T.S. **12**



LIGHTING CONTROL N.T.S. **9**



TEMPERATURE MONITOR N.T.S. **4**

- GENERAL NOTES**
- DO NOT SCALE DRAWINGS.
 - PANELS, HARDWARE, CONTACTORS PROVIDED BY ENERGY MANAGEMENT SYSTEM (EMS) SUPPLIER; UNLESS NOTED OTHERWISE. G.C. IS RESPONSIBLE FOR COMPONENT INSTALLATION AND WIRING.
 - REFER TO SURVEYOR MANUAL AND INSTALLATION INSTRUCTIONS OF EACH COMPONENT FOR ADDITIONAL CRITICAL INFORMATION.
 - INSTALLATION REQUIRES THE REMOVAL OF SAFETY COVERS AND EXPOSE THE INSTALLER TO HIGH VOLTAGE AND ELECTRICAL HAZARDS. REFER TO SURVEYOR MANUAL FOR ADDITIONAL SAFETY INFORMATION.
 - ENERGY MANAGEMENT SYSTEM (EMS) CONTACT INFORMATION:
VENSTAR, INC. Main Office: (818) 341.8760
STEVE TUDHOPE s.tudhope@venstar.com Direct Line: (818) 812.9807
CRAIG GODWIN craig@venstar.com Direct Line: (541) 359.4176

GENERAL NOTES **3**

ARCHITECTURE ENGINEERING

LIS

LAND INVESTMENT SERVICES, LLC
AA 26022040 CA No: 6853 LB1057
ARCHITECTURE / ENGINEERING OFFICE
2572 West State Road 426
Suite 2064, Oviedo, FL 32765
Phone: (321) 244-0402
Facsimile: (321) 244-9419

ENGINEERING OFFICE
21430 Palm Beach Blvd.
Ave. Fla. 33920
Phone: (239) 893-9244
Facsimile: (239) 893-8828

Digitally signed by ROBERT W CASE
Date: 2022.03.31 10:26:17 -04'00'

ROBERT WAYNE CASE
FLORIDA PE #44643

PLAN SET REVISIONS:

CONTRACT DATE: --/--/2019
BUILDING TYPE: Kb 30-19
PLAN VERSION: 2018 A
SITE NUMBER:
ENTITY NUMBER:
STORE NUMBER:
LIS PROJECT: 2019-304

KFC
3615 W SILVER SPRINGS BLVD.
OCALA, FL

ENERGY MANAGEMENT SYSTEM DETAILS

E6.1

PLOT DATE: 03/29/2022