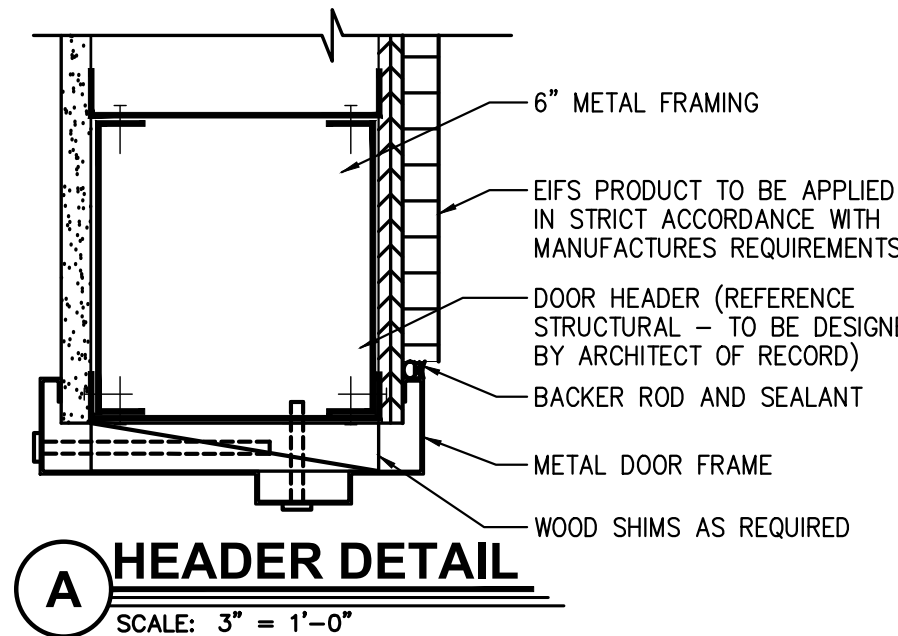
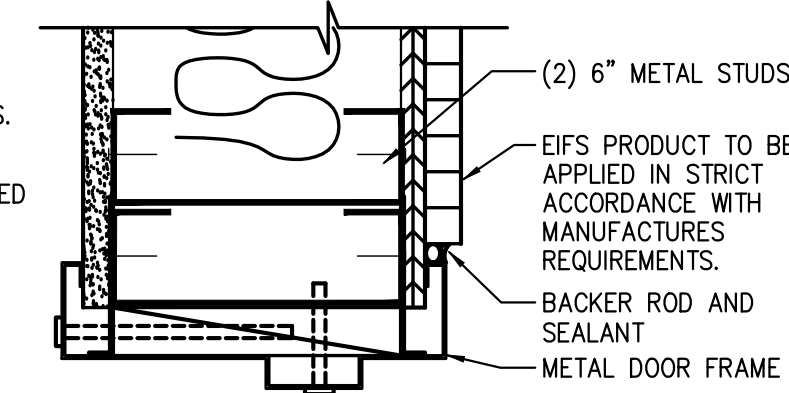


WINDOW A SCALE: 1/4" = 1'-0"
WINDOW B SCALE: 1/4" = 1'-0"
WINDOW C SCALE: 1/4" = 1'-0"

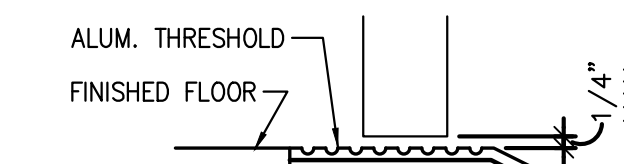
NOTE: ALL WINDOW OPENING SIZES TO BE VERIFIED ON SITE PRIOR TO FABRICATION



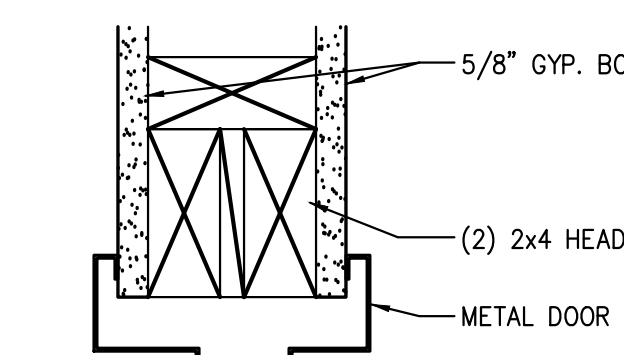
A HEADER DETAIL SCALE: 3" = 1'-0"



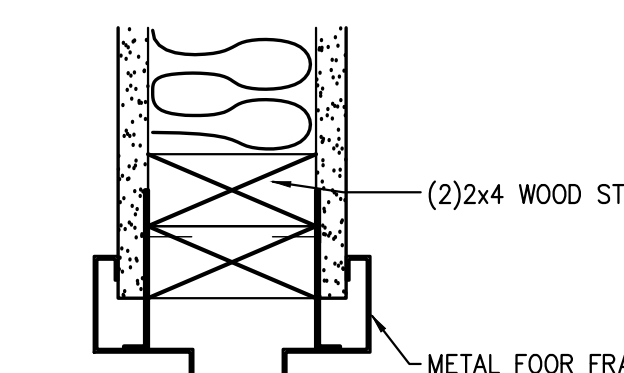
B JAMB DETAIL SCALE: 3" = 1'-0"



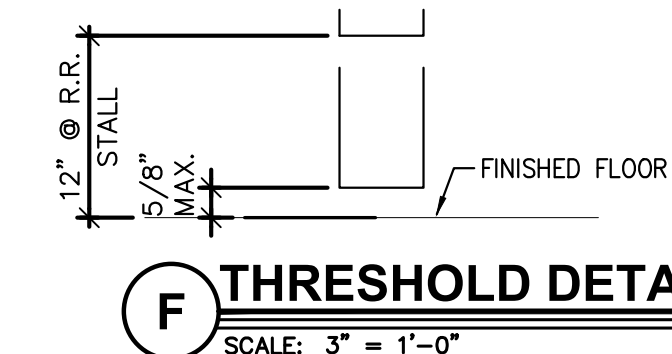
C THRESHOLD DETAIL SCALE: 3" = 1'-0"



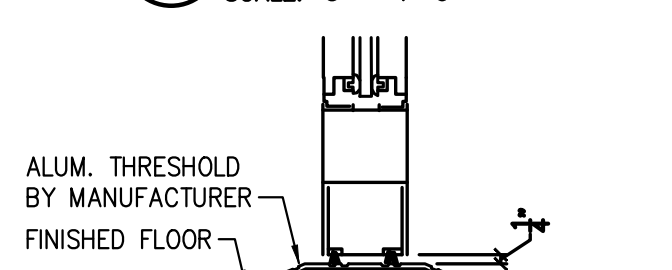
D HEADER DETAIL SCALE: 3" = 1'-0"



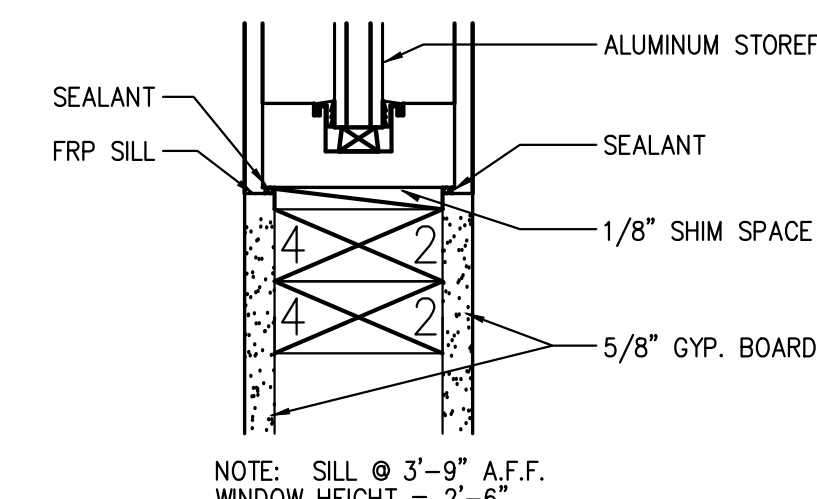
E JAMB DETAIL SCALE: 3" = 1'-0"



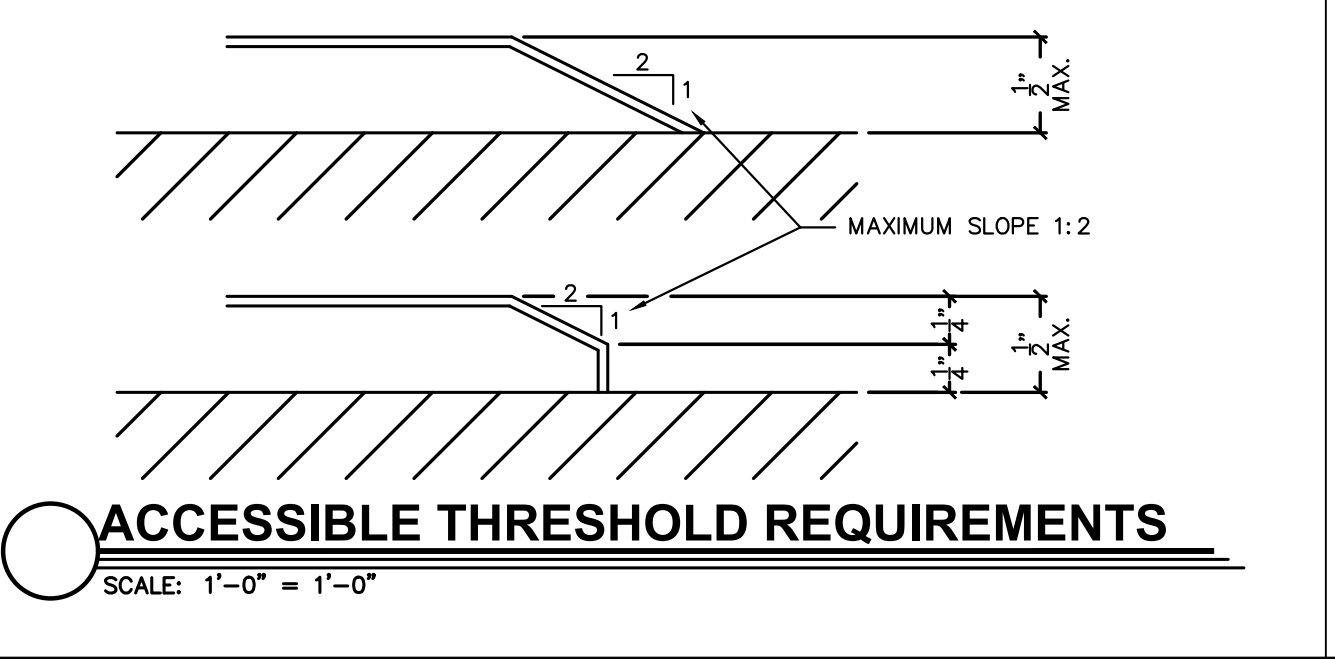
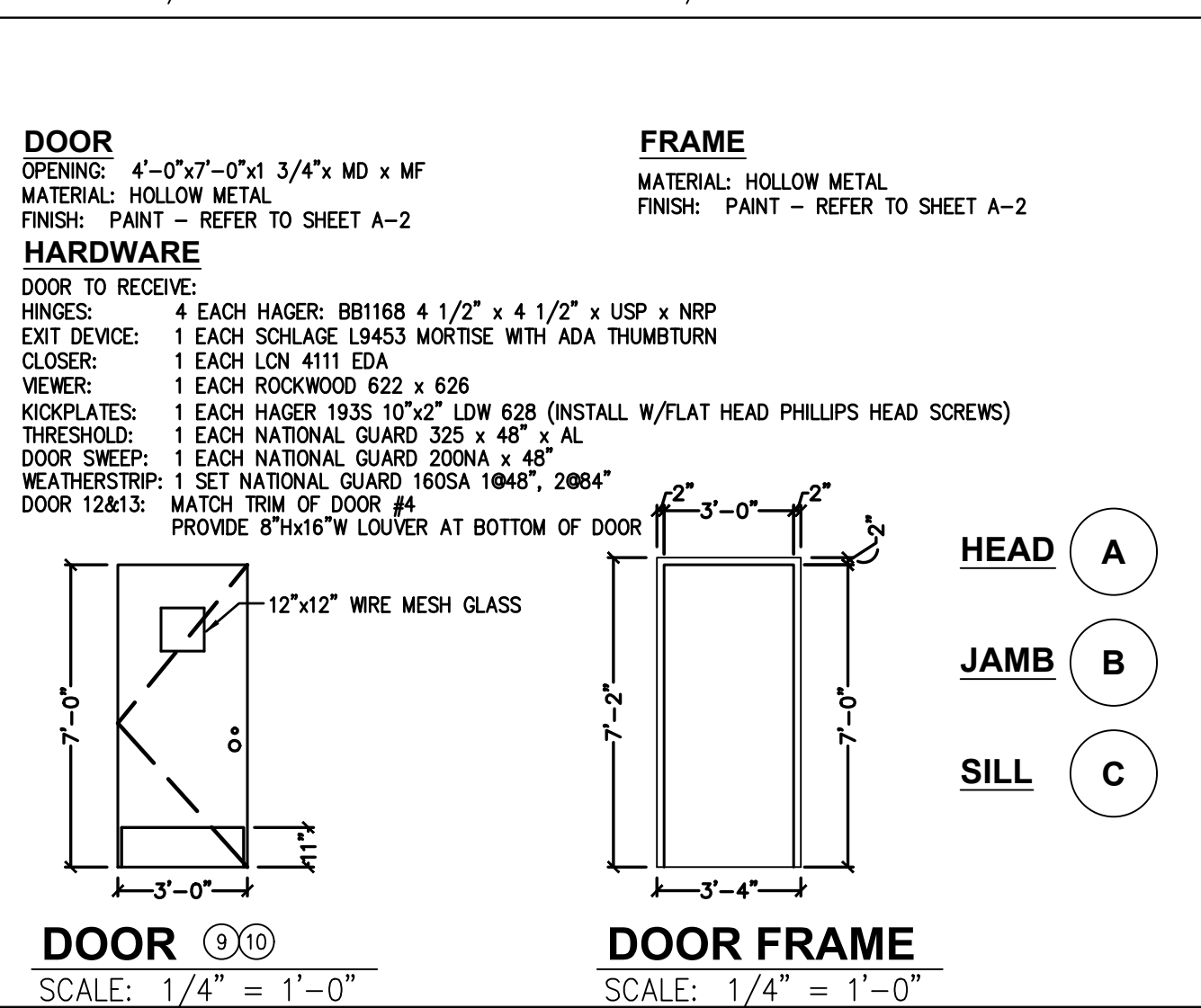
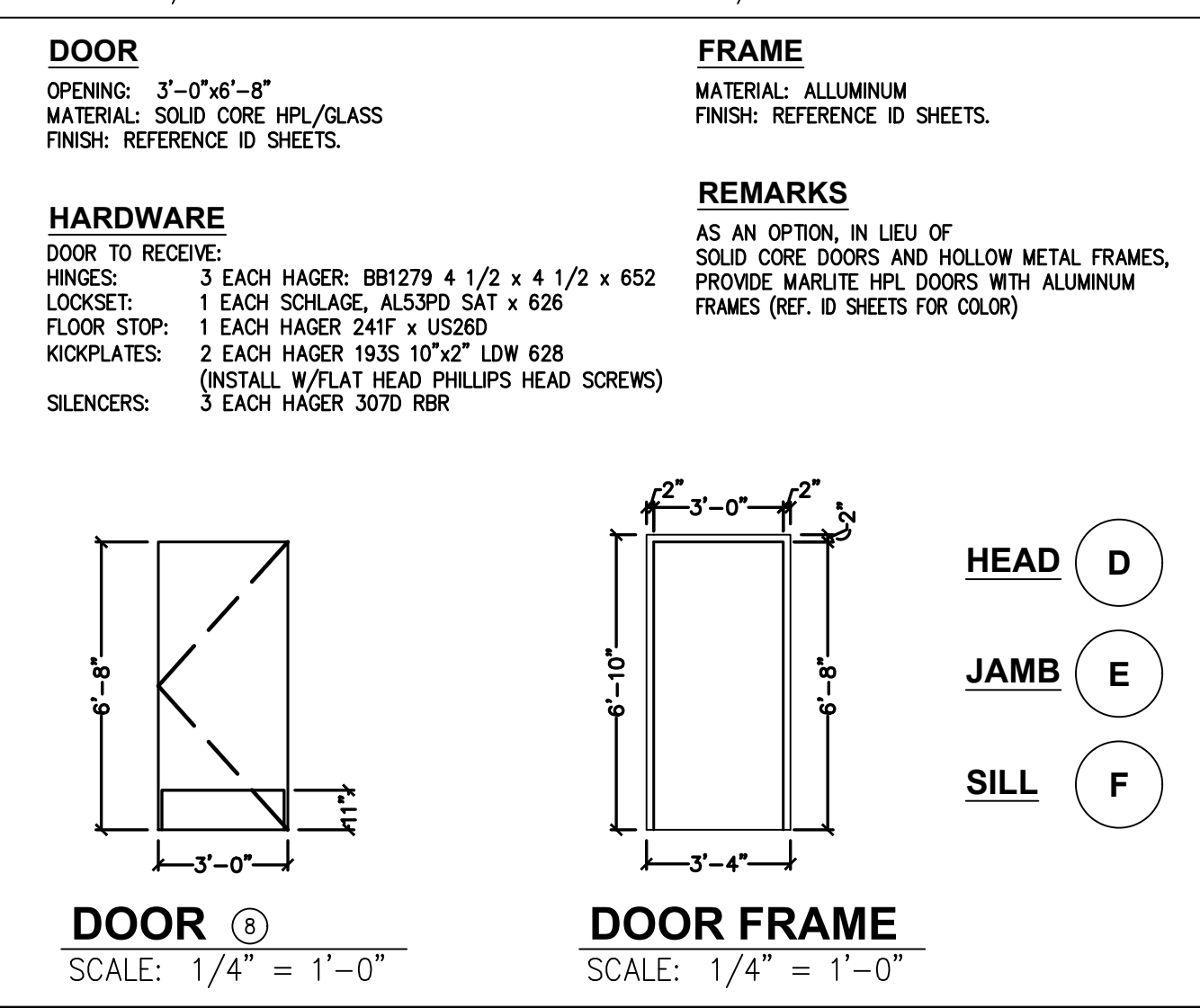
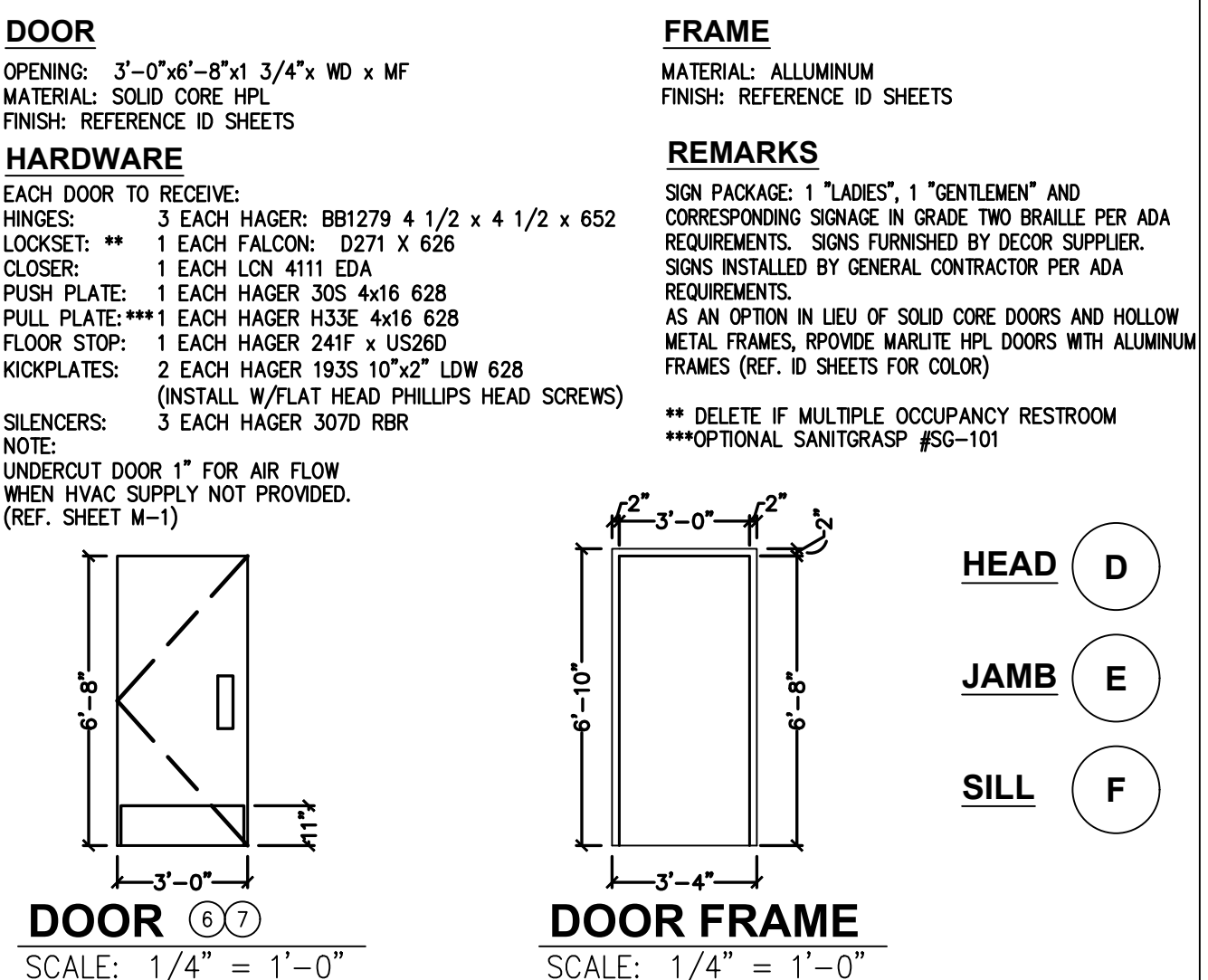
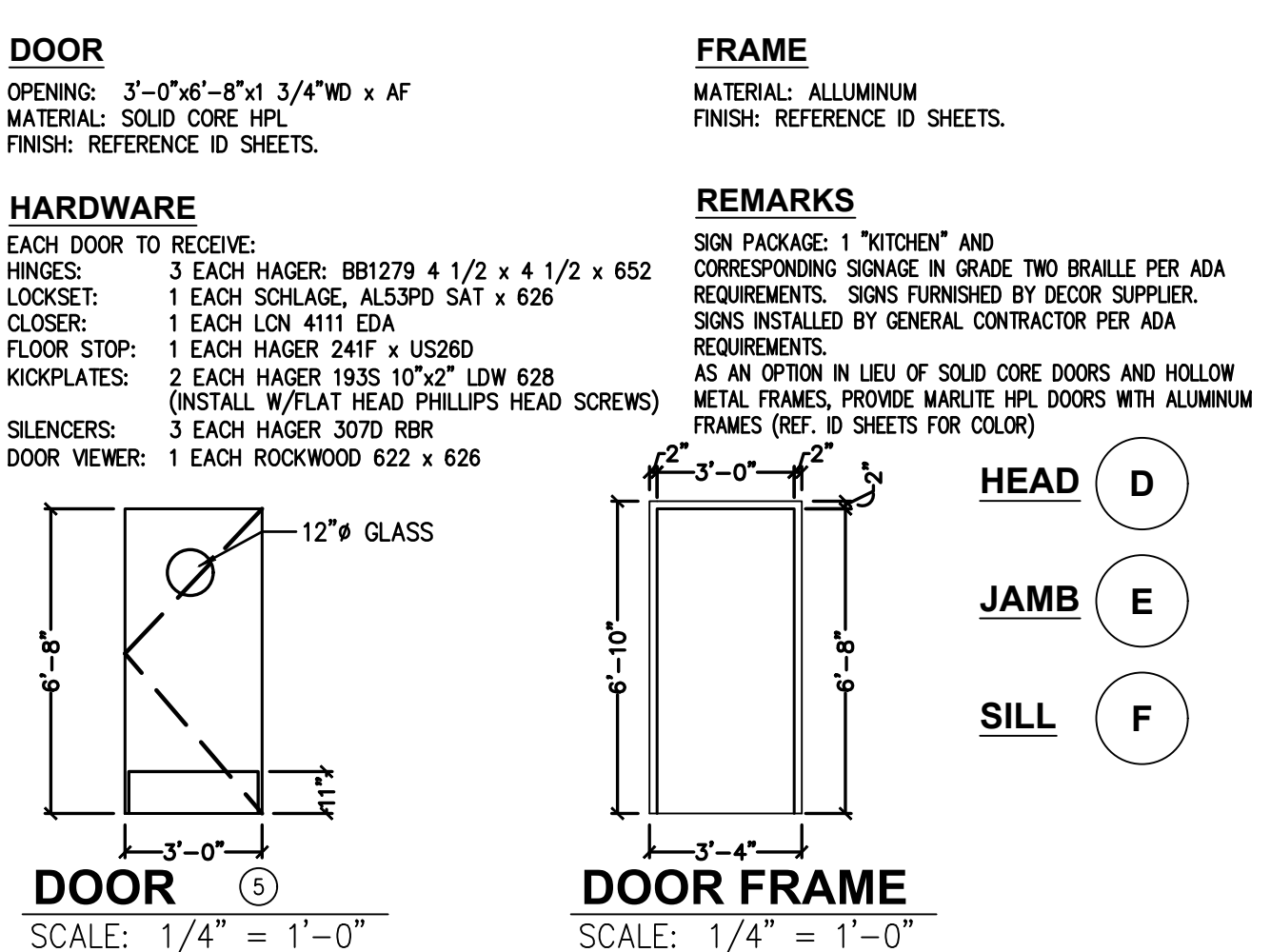
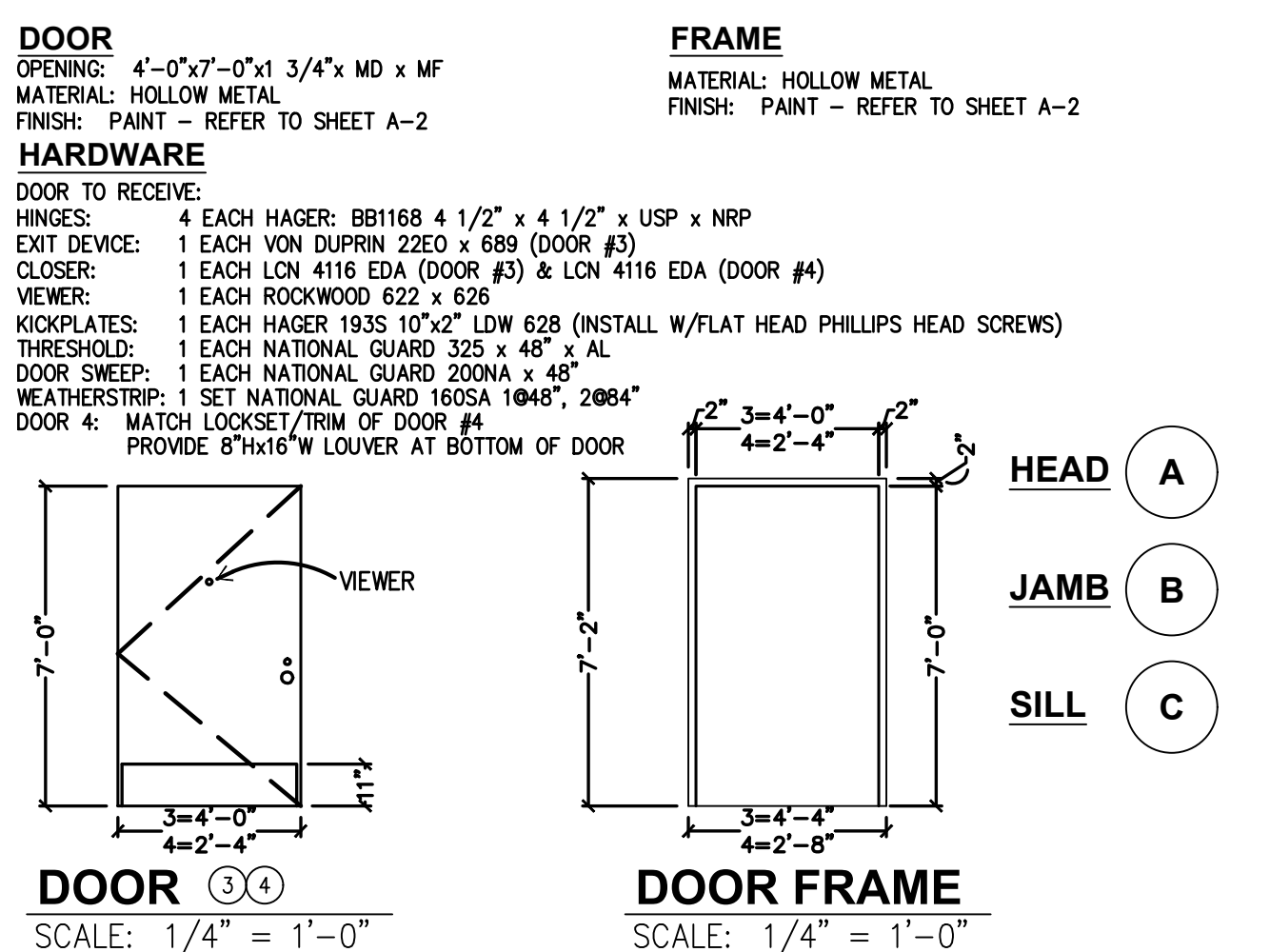
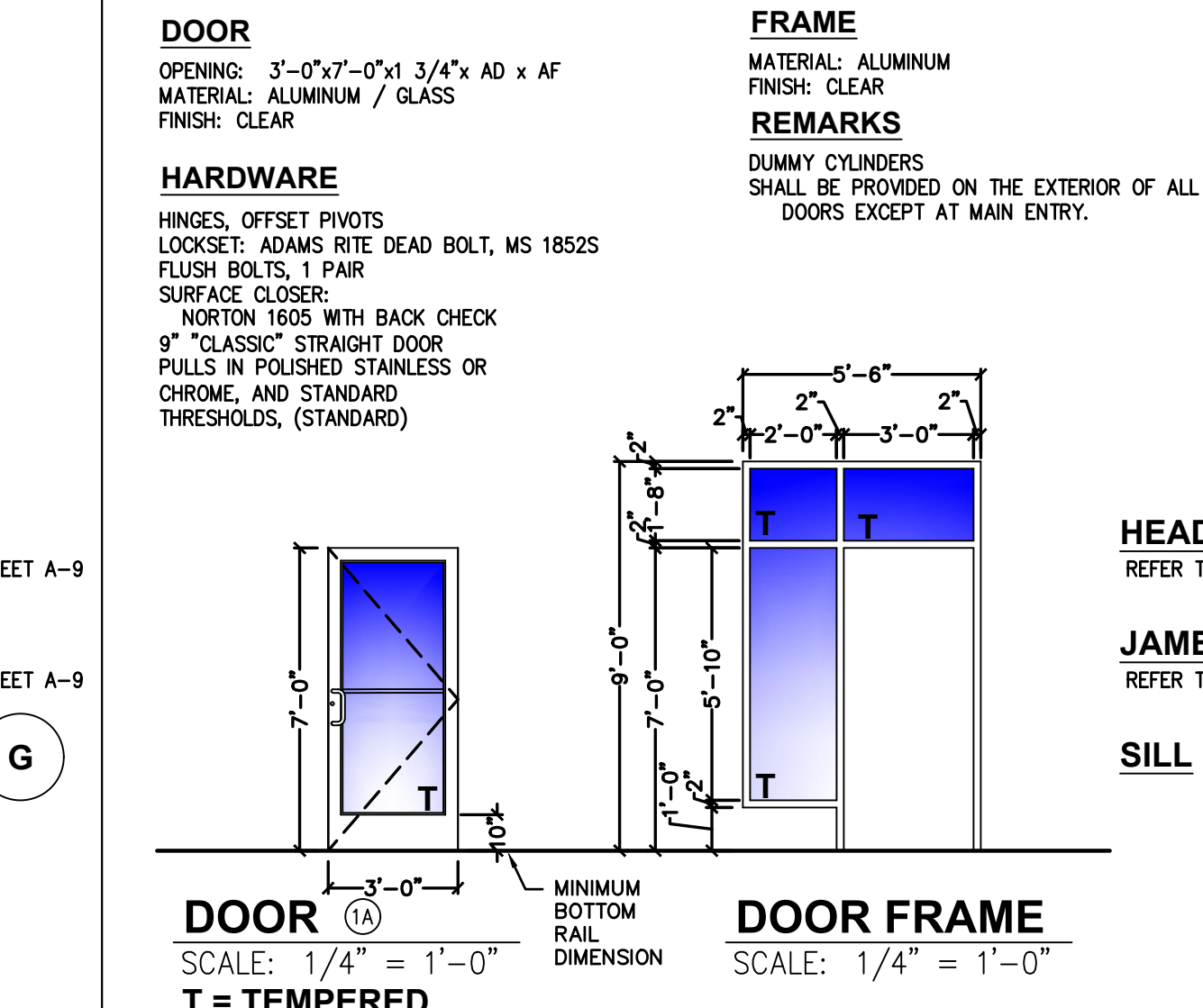
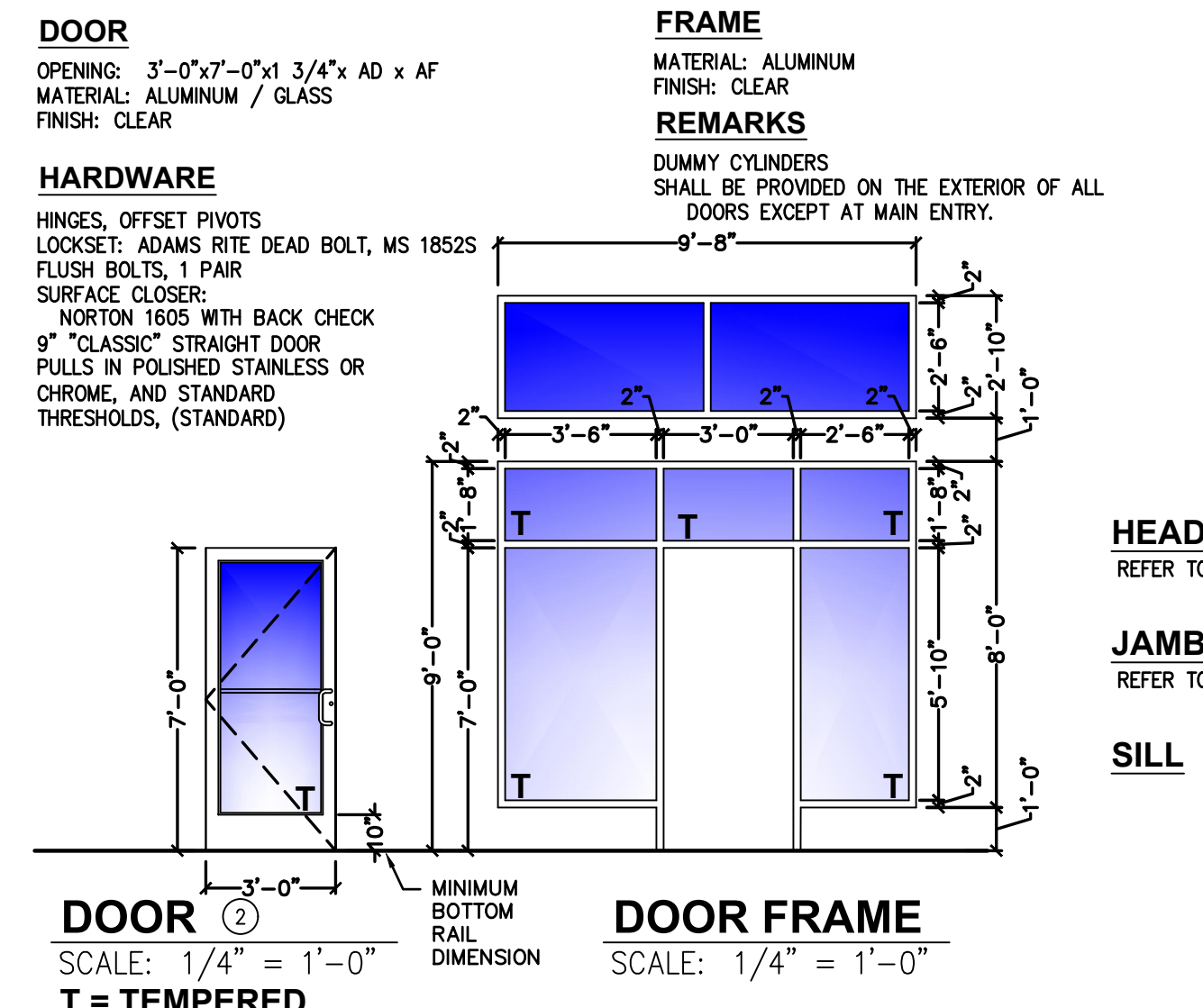
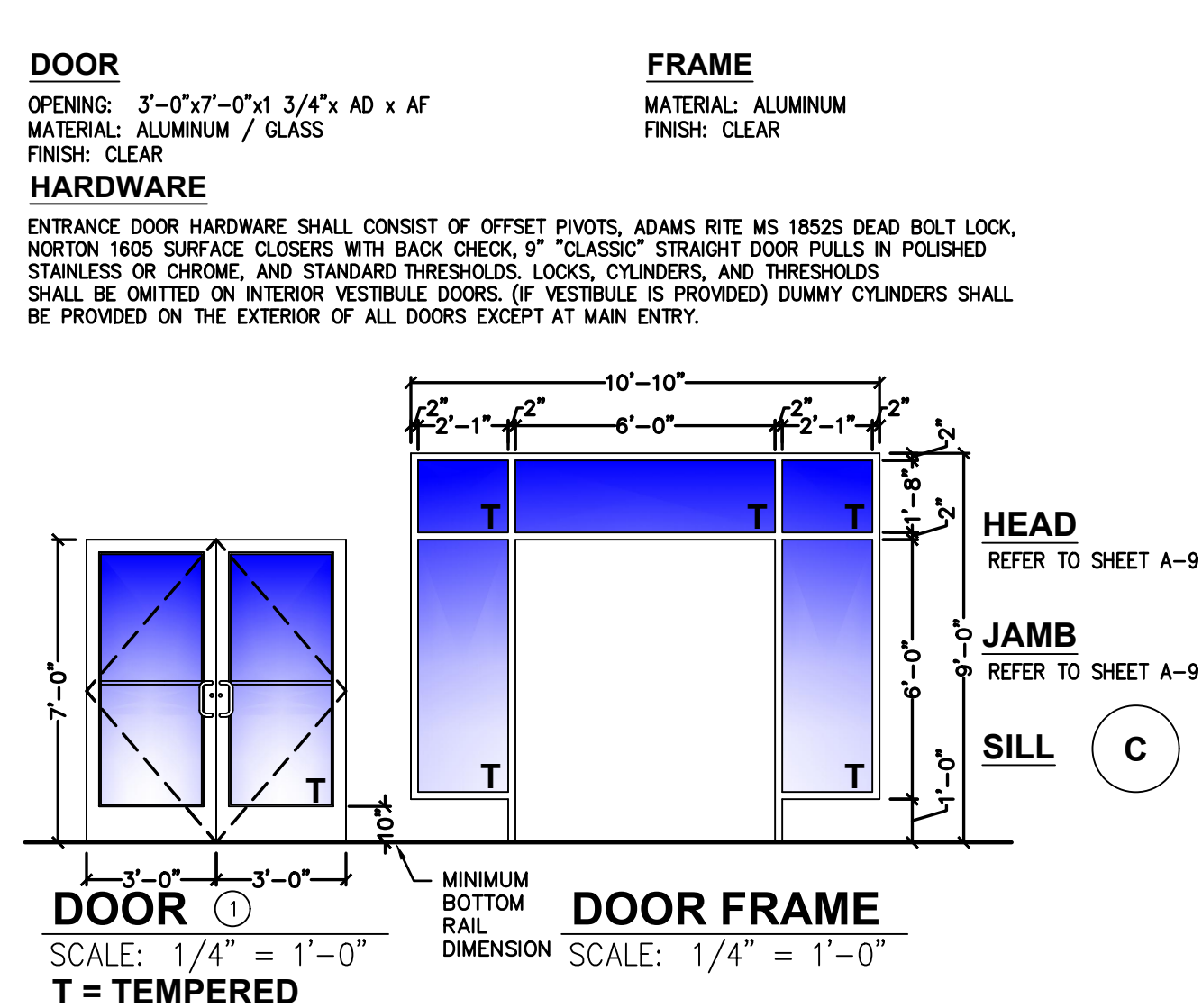
F THRESHOLD DETAIL SCALE: 3" = 1'-0"



G THRESHOLD DETAIL SCALE: 3" = 1'-0"



H OFFICE SILL DETAIL SCALE: 3" = 1'-0"



Specified Products and Approved Equals

Hinges - Provide features, functions, size and finish as shown in hardware sets.

HAGER	BB1279	BB1168	253
MCKINNEY	TA271.4	TA4376E	
BOMMER	BB5000	BB5004	

Locks - Provide features, functions and finish as shown in hardware sets.

FALCON - DEADLOCK	D871		NO SUBSTITUTIONS
SCHLAGE	AL53PD	AL405	
YALE	AU5307LN	AU5302LN	
FALCON	B511D	B301D	

Exit Device - Provide features, functions and finish as shown in hardware sets.

VON DUPRIN	22 EO		
YALE	2100 EO		
SARGENT	3929 EO		

Closers - Provide features, functions and finish as shown in hardware sets.

LCN	1461	4115 H-CUSH	
YALE	3301	4425T / 4421T	
DORMA	861 G	891 G D9T / 895G D9T	

Push/Pull, KP, Stops, Etc. - Provide features, functions, size and finish as shown in hardware sets.

HAGER	KICKPLT 193S	PULL PLT H33E	PUSH PLT 305	FL STOP 241F	WALL STOP 236W	VIEWER 175G
ROCKWOOD	K1050 B3E	BF10G X 70C	70C	441 CU	409	622
TRIMCO	K0050	1017-3x2 + PROJ.	1001-3	121 I	1270WV	976U

Weatherstripping, Thresholds, Etc. - provide features, functions, size and finish as shown in hardware sets.

NATIONAL GUARD	THRESHOLD 325A	SWEET 200NA	WEATHERSTRIP 160SA
FEMCO	229A	315CN	303AS
ZERO	1675A	39A	99A

Issued:	Date:
A BKC Approval	10/29/2021
B Permit Set	1/21/2022
C Bid Set	1/24/2022
D Construction Set	3/14/2022
E	
Revisions:	Date:
1	
2	
3	
4	
5	
6	
7	
8	
9	

Seal PROJECT ARCHITECT/ENGINEER DATE
 Seal PROJECT LEAD DATE
 PROJECT DESIGNER DATE

Copyright © 2022
 APD Engineering & Architecture, LLC
 Drawing Alteration
 It is a violation of law for any person, unless acting under the direction of licensed Architect, Professional Engineer, Landscape Architect, or Land Surveyor to alter any item on this document in any way. Any licensee who alters this document is required by law to affix his or her seal and to add the notation "Altered By" followed by his or her signature and the specific description of the alteration or revision.

DO NOT SCALE PLANS
 Copying, Printing, Software and other processes required to produce these prints can stretch or shrink the actual paper or layout. Therefore, scaling of this drawing may be inaccurate. Contact APD E&A with any need for additional dimensions or clarifications.

APD ENGINEERING ARCHITECTURE
 615 Fishers Run Victor, NY 14564
 585.742.2222 - www.apd.com

Ampler Development LLC
 4700 Falls of Neuse Rd
 Suite 400
 Raleigh, NC 27609
 phone: (513) 484-0965

Burger King Inc.
 Store #
 322 Pottstown Ave
 Pottstown, PA 18073
 Montgomery County
 Project Name & Location:

Door Schedule and Details
 Drawing Name:

Date: 11/8/2021	Project No.
Type: ROC-2502T	21-0327
Drawn By: MGJ	A-10
Scale: As Noted	Drawing No.