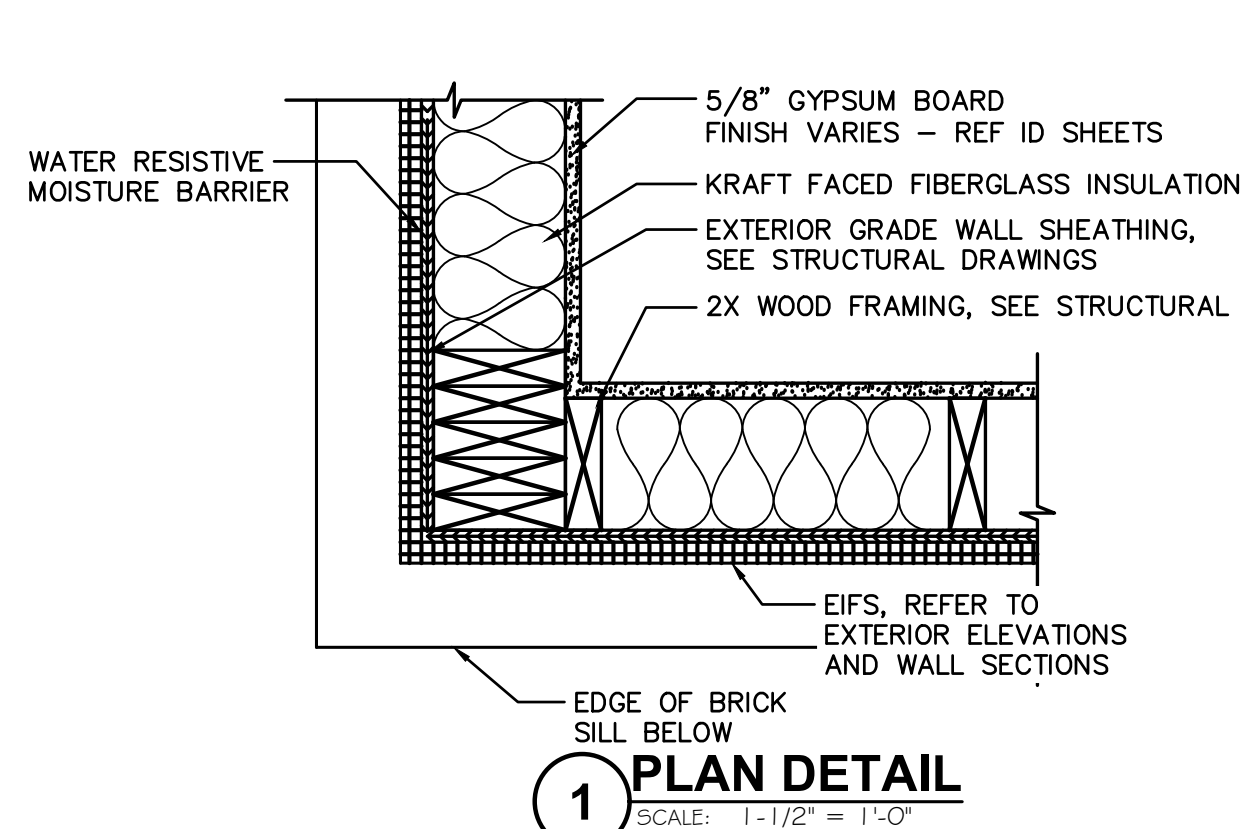
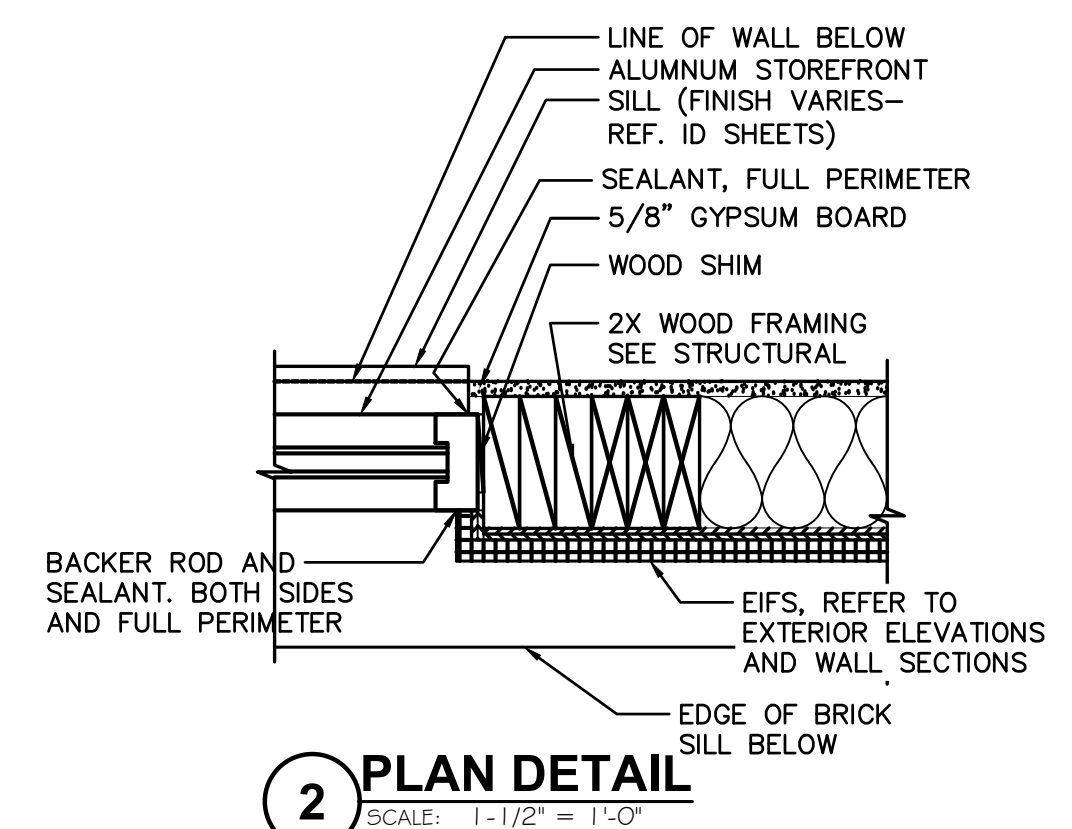


Issued:	Date:
A BKC Approval	10/29/2021
B Permit Set	1/21/2022
C Bid Set	1/24/2022
D Construction Set	3/14/2022
E	

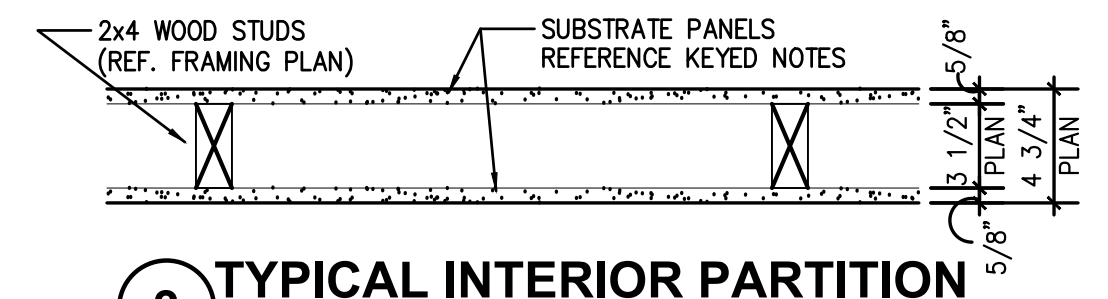
Revisions:	Date:
1	
2	
3	
4	
5	
6	
7	
8	
9	



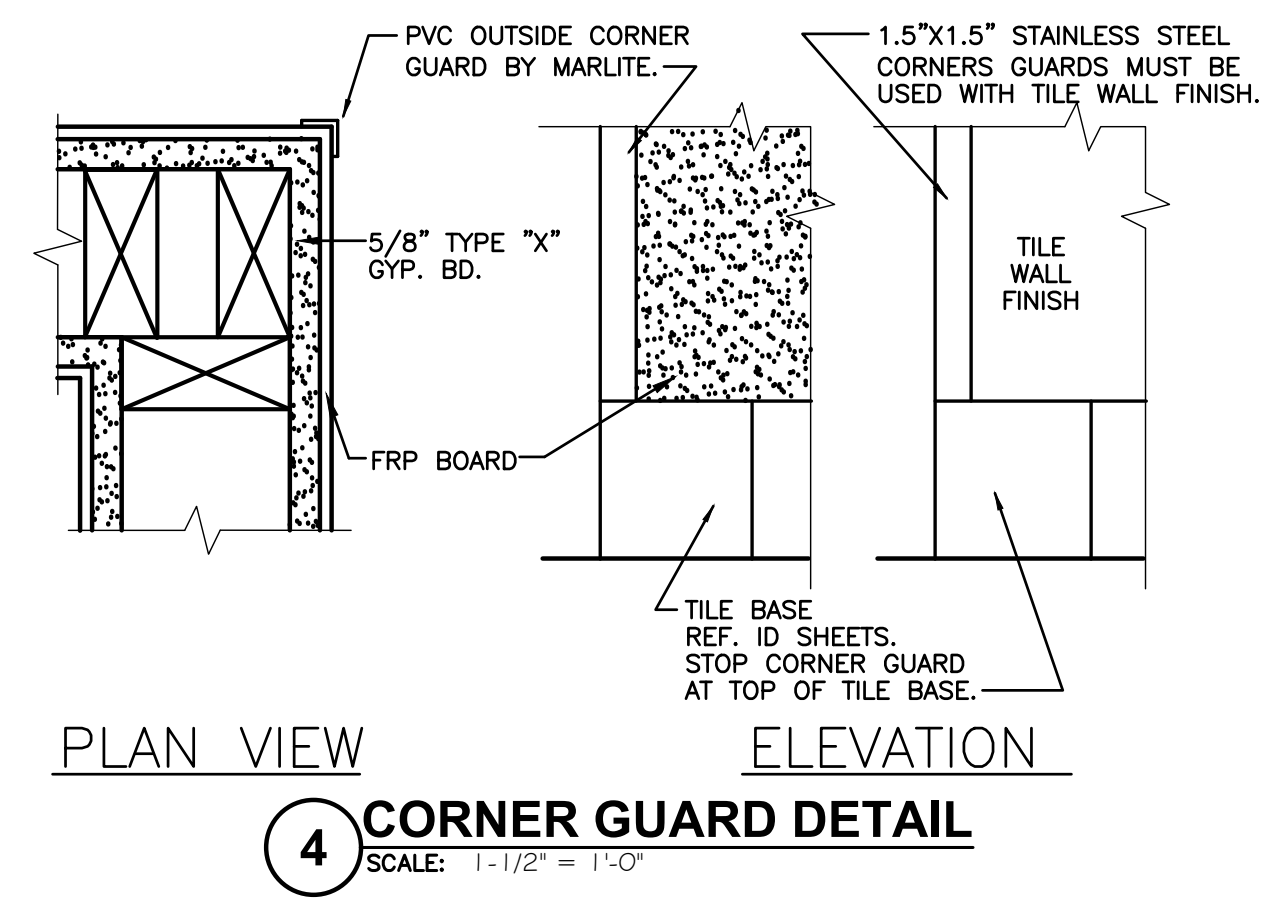
1 PLAN DETAIL
SCALE: 1-1/2" = 1'-0"



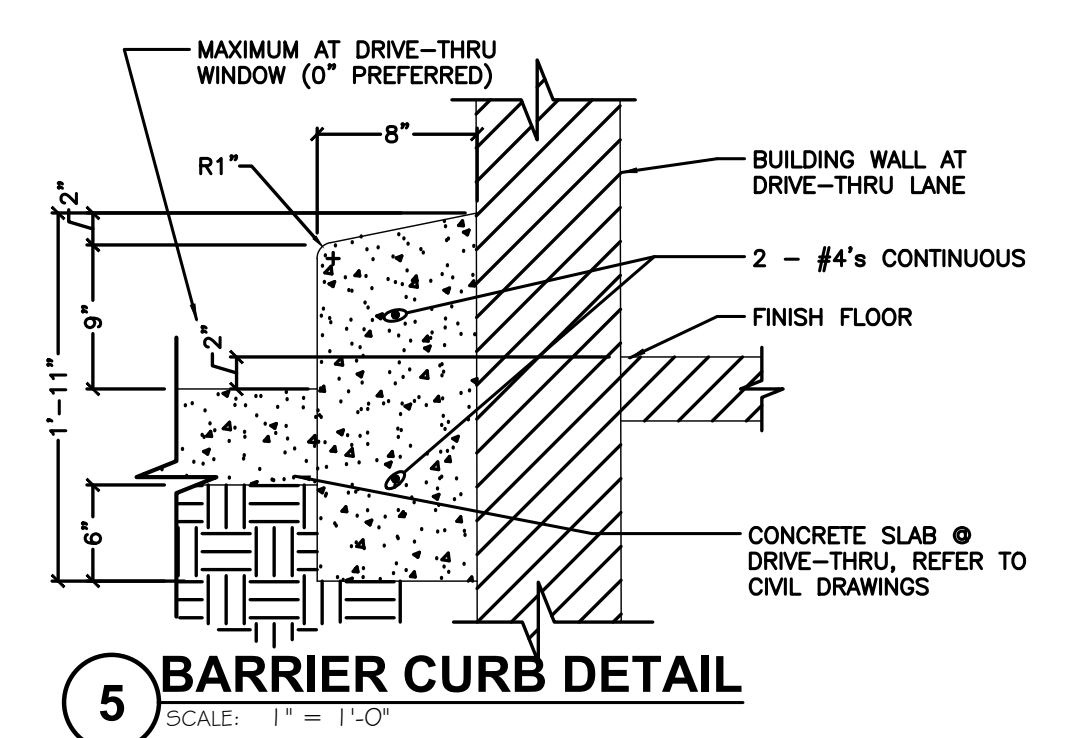
2 PLAN DETAIL
SCALE: 1-1/2" = 1'-0"



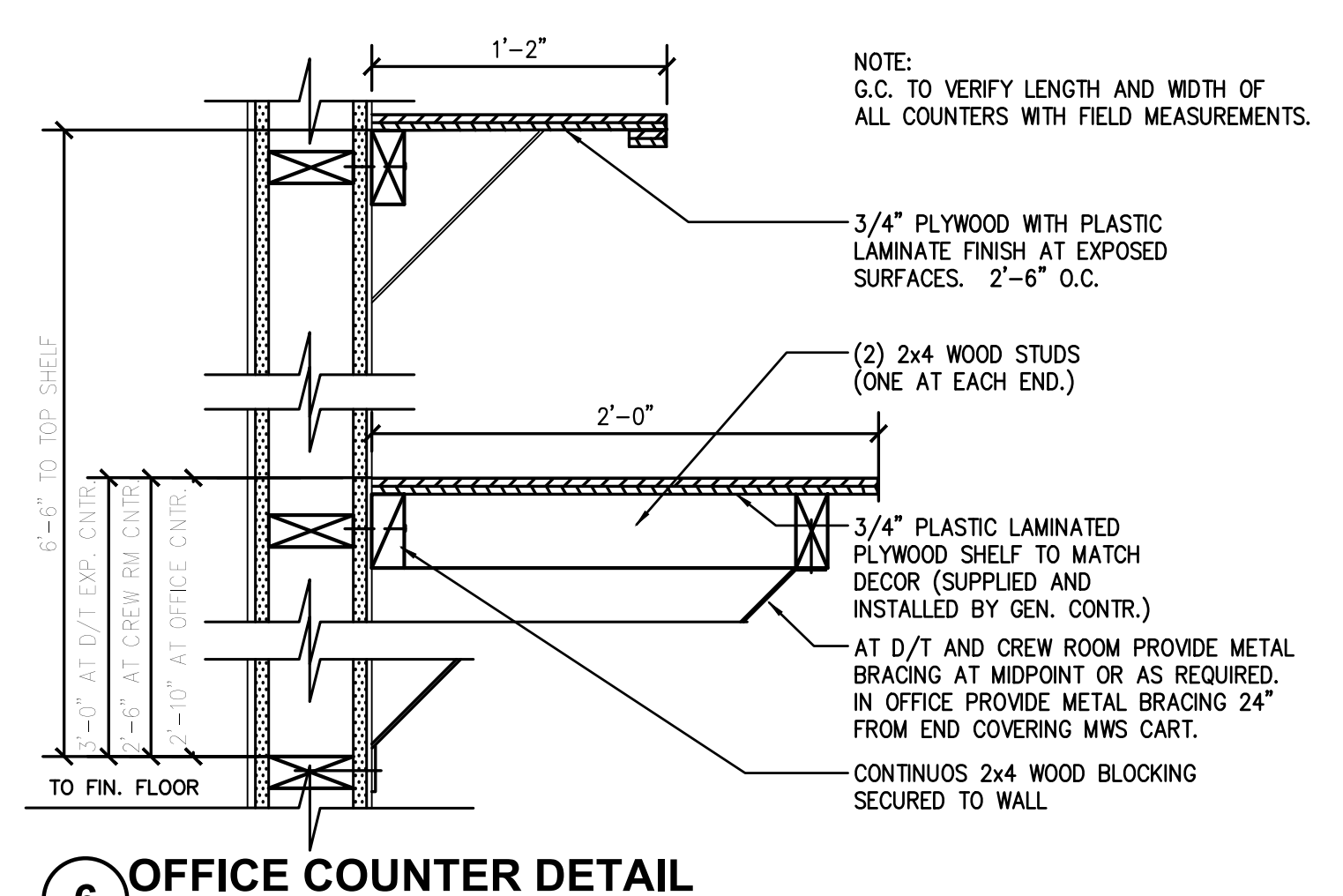
3 TYPICAL INTERIOR PARTITION
SCALE: 1-1/2" = 1'-0"



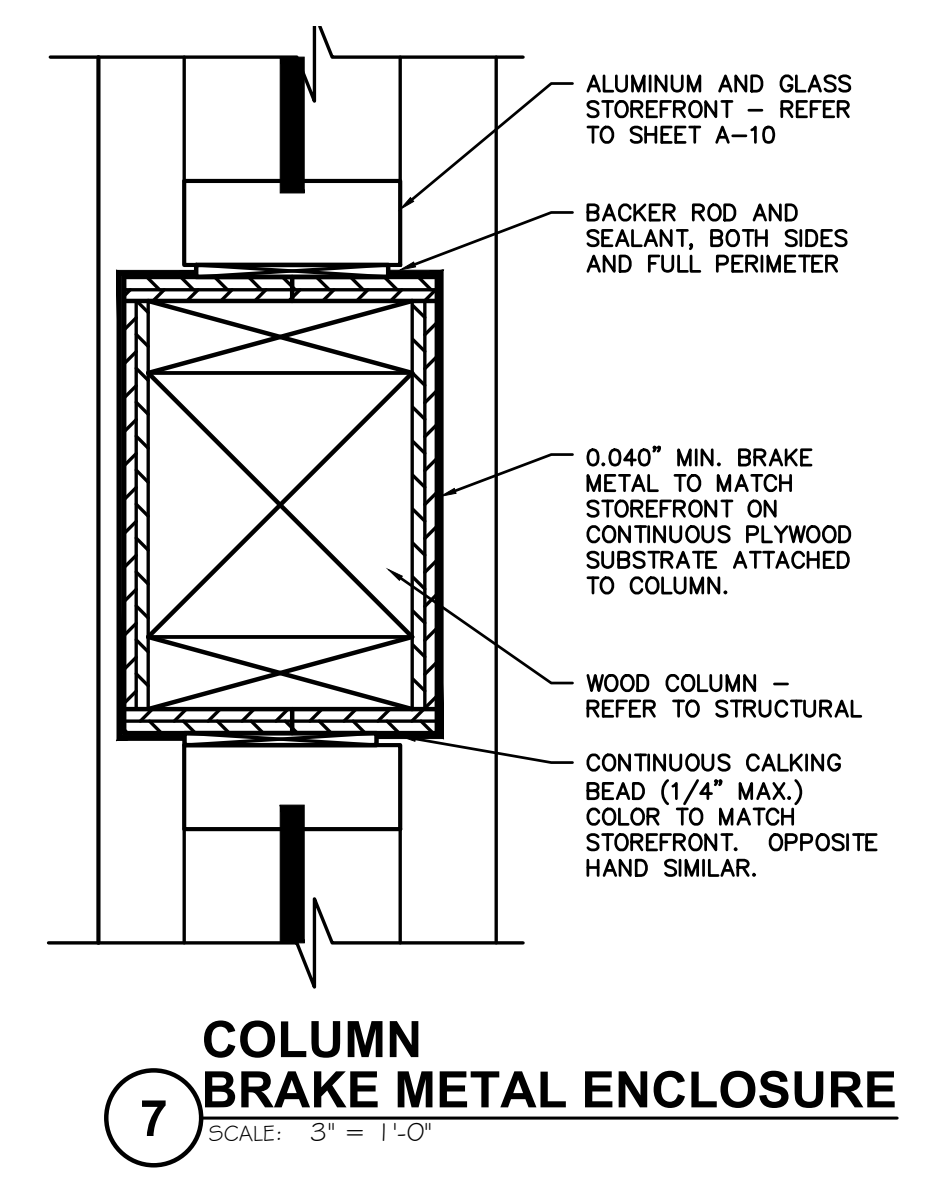
4 CORNER GUARD DETAIL
SCALE: 1-1/2" = 1'-0"



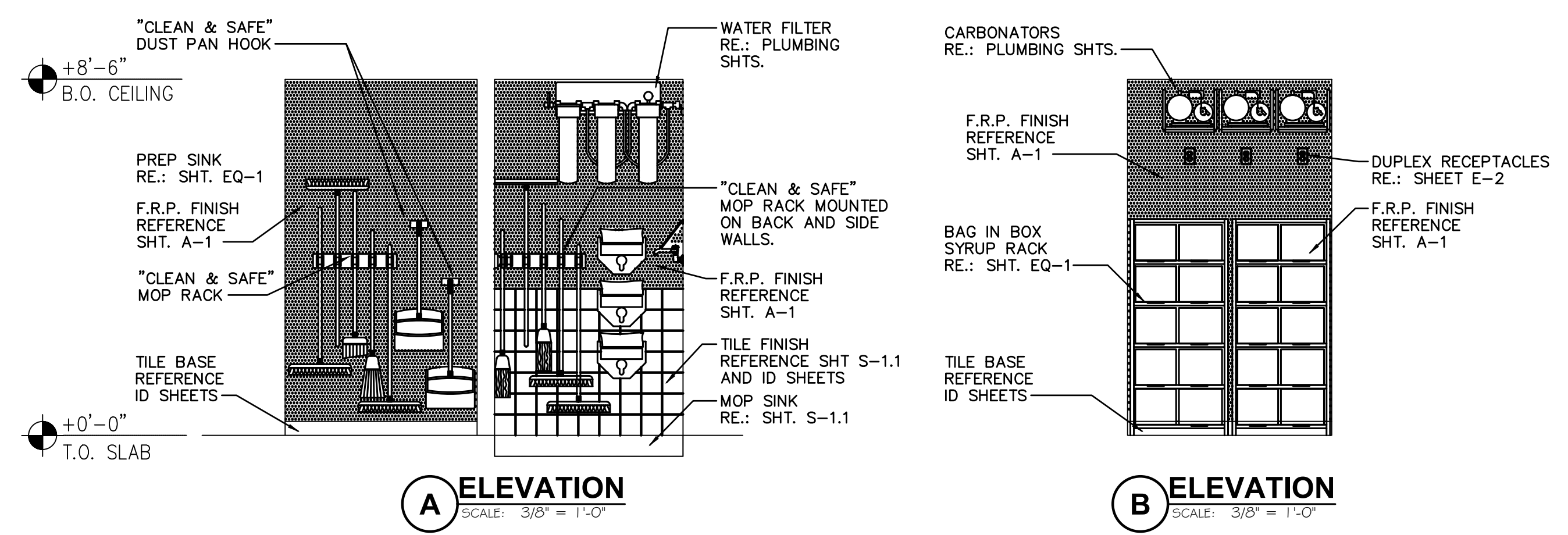
5 BARRIER CURB DETAIL
SCALE: 1" = 1'-0"



6 OFFICE COUNTER DETAIL
SCALE: 1-1/2" = 1'-0"



7 COLUMN BRAKE METAL ENCLOSURE
SCALE: 3" = 1'-0"



A ELEVATION
SCALE: 3/8" = 1'-0"

B ELEVATION
SCALE: 3/8" = 1'-0"

Seal	Seal
PROJECT ARCHITECT/ENGINEER	DATE
PROJECT LEAD	DATE
PROJECT DESIGNER	DATE

Copyright © 2022
APD Engineering & Architecture, LLC
Drawing Alteration
It is a violation of law for any person, unless acting under the direction of licensed Architect, Professional Engineer, Landscape Architect, or Land Surveyor to alter any item on this document in any way. Any licensee who alters this document is required by law to affix his or her seal and to add the notation "Altered By" followed by his or her signature and the specific description of the alteration or revision.
DO NOT SCALE PLANS
Copying, Printing, Software and other processes required to produce these prints can stretch or shrink the actual paper or layout. Therefore, scaling of this drawing may be inaccurate. Contact APD E&A with any need for additional dimensions or clarifications.

APD ENGINEERING ARCHITECTURE
615 Fishers Run Victor, NY 14564
585.742.2222 - www.apd.com

Ampler Development LLC
4700 Falls of Neuse Rd
Suite 400
Raleigh, NC 27609
phone: (513) 484-0965

Burger King Inc.
Store #
322 Pottstown Ave
Pennsburg, PA 18073
Montgomery County
Project Name & Location:

DETAILS	
Drawing Name:	Project No.
Date: 11/8/2021	21-0327
Type: ROC-2502T	
Drawn By: MGV	A-1.1
Scale: As Noted	Drawing No.

PLOTED: 11/11/2022 3:50 PM; 2022 1024x1188; bak; www.amplerev.com; 2022 1024x1188; bak; www.amplerev.com; 2022 1024x1188; bak; www.amplerev.com