

TACO BELL

3039 Dixie Highway Edgewood, KY 41017



LEGAL JURISDICTION:	PLANNING AND DEVELOPMENT SERVICES OF KENTON COUNTY		
BUILDING CODE:	2018 KENTUCKY BUILDING CODE		
ACCESSIBILITY:	ICC / ANSI A117.1-2009		
MECHANICAL:	2015 INTERNATIONAL MECHANICAL CODE		
PLUMBING:	KENTUCKY STATE PLUMBING LAW, REGULATIONS & CODE		
ELECTRICAL:	2017 NFPA 70 NATIONAL ELECTRIC CODE		
FIRE:	2015 INTERNATIONAL FIRE CODE		
ENERGY:	2012 INTERNATIONAL ENERGY CONSERVATION CODE		
BUILDING AREA:	2,090 S.F. GROSS		
SEATING:	20 INTERIOR		
OCCUPANCY:	A2		
TYPE CONSTRUCTION:	TYPE VB - UNPROTECTED		
TYPE	AREA	FACTOR	OCCUPANTS
DINING ROOM	447 S.F.	1:15 S.F. (NET)	30
QUEUING	60 S.F.	1:5 S.F. (NET)	12
KITCHEN	1008 S.F.	1:200 S.F. (GROSS)	6
OFFICE	72 S.F.	1:100 S.F. (GROSS)	1
ACCESSORY STORAGE	173 S.F.	1:300 S.F. (GROSS)	1
ACCESSORY RESTROOMS & PASSAGE	283 S.F.	0 (GROSS)	0
TOTAL			50

PROJECT SUMMARY

# PHONE LINES:	25 PAIR CABLE IN 2" CONDUIT
ELECTRIC SERVICE:	600 AMPS / 3 PHASE / 120-208 VOLT
GAS:	750,000 BTU/H
WIND SPEED:	90 M.P.H. / EXPOSURE B
EARTHQUAKE ZONE:	D
ROOF LIVE LOAD:	25 P.S.F.

DESIGN CRITERIA

CURRENT ZONING: COMMERCIAL GENERAL

FOR TACO BELL USE/APPROVAL ONLY	
BUILDING S.F.:	2,090 S.F.
SITE SIZE:	43,830 S.F.
PARKING COUNT:	31
INT. SEATING:	20
EXT. SEATING:	10
KIOSK COUNT:	4
D.M.B.:	YES
DT DMP:	YES
DT DPB:	NO

REFER TO CIVIL DRAWINGS.

LEGAL DESCRIPTION

OWNER

AMPLER DEVELOPMENT LLC.
2601 NORTHWEST EXPRESSWAY, SUITE 100W
OKLAHOMA CITY, OK 73112
CONTACT: JASON BLUMENFELD
PHONE: 847.219.5532

CONSTRUCTION MANAGER

AMPLER DEVELOPMENT LLC.
2601 NORTHWEST EXPRESSWAY, SUITE 100W
OKLAHOMA CITY, OK 73112
CONTACT: JASON BLUMENFELD
PHONE: 847.219.5532

CIVIL ENGINEER

GPD GROUP, INC.
520 S. MAIN STREET, SUITE 2531
AKRON, OH 44311
CONTACT: ANTHONY BARCHANOWICZ
PHONE: 330.572.2100

GEOTECHNICAL ENGINEER

TERRACON CONSULTANTS, INC.
611 LINKEN PARK DRIVE
CINCINNATI, OH 45226
CONTACT: CRAIG M DAVIS, P.E.
PHONE: 513.321.5816

ARCHITECT

GPD GROUP, INC.
520 S. MAIN STREET, SUITE 2531
AKRON, OH 44311
CONTACT: ANTHONY BARCHANOWICZ
PHONE: 330.572.2100

STRUCTURAL ENGINEER

GPD GROUP, INC.
520 S. MAIN STREET, SUITE 2531
AKRON, OH 44311
CONTACT: ANTHONY BARCHANOWICZ
PHONE: 330.572.2100

M/E/P ENGINEER

GPD GROUP, INC.
520 S. MAIN STREET, SUITE 2531
AKRON, OH 44311
CONTACT: ANTHONY BARCHANOWICZ
PHONE: 330.572.2100

LANDSCAPE ARCHITECT

GPD GROUP, INC.
520 S. MAIN STREET, SUITE 2531
AKRON, OH 44311
CONTACT: ANTHONY BARCHANOWICZ
PHONE: 330.572.2100

PROJECT DIRECTORY

SEWER

SANITATION DISTRICT NO. 1 OF NORTHERN KENTUCKY
1045 EATON DR.
FORT WRIGHT, KY 41017
PHONE: 859.578.7450

WATER

NORTHERN KENTUCKY WATER DEPARTMENT
2835 CRESCENT SPRINGS ROAD
ERLANGER, KY 41018
PHONE: 859-578-9898

GAS

DUKE ENERGY KENTUCKY
PHONE: 800.774.1202

ELECTRIC

DUKE ENERGY KENTUCKY
PHONE: 800.774.1202

TELEPHONE

COMCAST
1701 JFK BLVD.
PHILADELPHIA, PA 19103
PHONE: 513.535.0940

UTILITY CONTACTS

SHEET ISSUED ON DATE INDICATED, WITH MODIFICATIONS	ISSUE
SHEET ISSUED ON DATE INDICATED, NO MODIFICATIONS	0

TITLE/GEN. CONDITIONS

T1.0	TITLE SHEET	
G1.0	GREEN CHECKLIST SHEET	
G2.0	TRASH ENCLOSURE DETAILS	
G3.0	PEST PREVENTION GUIDE	
G4.0	SIGNAGE PLAN	
G4.1	SIGNAGE DETAILS	
TITLE/SITE SHEET COUNT: 6		
STRUCTURAL		
S1.0	FOUNDATION PLAN	
S2.0	WALL FRAMING PLAN	
S3.0	ROOF FRAMING PLAN	
S4.0	STRUCTURAL DETAILS	
S4.1	STRUCTURAL DETAILS	
S4.2	STRUCTURAL DETAILS	
S4.3	STRUCTURAL DETAILS	
S4.4	STRUCTURAL SECTIONS	
S5.0	CANOPY/AWNING BLOCKING ELEVATIONS	
STRUCTURAL SHEET COUNT: 9		

CIVIL \ LANDSCAPING

SEE CIVIL \ LANDSCAPING DRAWINGS FOR SHEET INDEX.

ARCHITECTURAL

A1.0	FLOOR PLAN	
A1.1	DOOR & WINDOW ELEVATIONS & SCHEDULES	
A2.0	EQUIPMENT AND SEATING PLAN	
A2.1	EQUIPMENT SCHEDULE	
A3.0	ROOF PLAN	
A4.0	EXTERIOR ELEVATIONS	
A4.1	EXTERIOR ELEVATIONS	
A5.0	BUILDING SECTIONS	
A5.1	BUILDING SECTIONS	
A5.2	WALL SECTIONS	
A5.3	WALL SECTIONS	
A5.4	WALL SECTIONS	
A6.0	CONSTRUCTION DETAILS ROOF	
A6.1	CONSTRUCTION DETAILS DOOR/WINDOW	
A6.2	CONSTRUCTION DETAILS WALL	
A6.3	FINISH DETAILS	
A6.4	CONSTRUCTION DETAILS INTERIOR	
A6.5	CEILING DETAILS	
A6.6	HARDIE BOARD DETAILS	
A7.0	FLOOR FINISH PLAN	
A7.1	REFLECTED CEILING PLAN	
A7.2	FINISH SCHEDULE	
A8.0	INTERIOR ELEVATIONS DINING ROOM	
A8.1	INTERIOR ELEV. ENLARGED RESTROOMS & OFFICE PLAN	
A8.2	INTERIOR ELEVATIONS KITCHEN	
A8.3	INTERIOR ELEVATIONS KITCHEN	
ARCHITECTURAL SHEET COUNT: 26		

ACCESSIBILITY

ADA1.0	ACCESSIBILITY REQUIREMENTS	
ADA1.1	ACCESSIBILITY REQUIREMENTS	
ACCESSIBILITY SHEET COUNT: 2		

MECHANICAL

M1.0	MECHANICAL SCHEDULES AND NOTES	
M2.0	DUCT AND DIFFUSER PLAN	
M2.1	MECHANICAL ROOF PLAN	
M3.0	HOOD DETAILS AND SECTIONS	
M4.0	MECHANICAL DETAILS	
MECHANICAL SHEET COUNT: 5		

PLUMBING

P1.0	PLUMBING SCHEDULES AND NOTES	
P2.0	WASTE AND VENT PLAN	
P3.0	WATER AND GAS PLAN	
P4.0	PLUMBING ROUGH-IN PLAN	
P5.0	RISER DIAGRAMS	
P6.0	PLUMBING DETAILS	
PLUMBING SHEET COUNT: 6		

ELECTRICAL

E1.0	SITE ELECTRICAL PLAN	
E2.0	ELECTRICAL ONE LINE DIAGRAMS AND LEGEND	
E2.1	ELECTRICAL SCHEDULES	
E2.2	ELECTRICAL SCHEDULES	
E3.0	ELECTRICAL POWER PLAN	
E3.1	ENLARGED POWER PLAN AND DETAILS	
E3.2	ELECTRICAL POWER ROOF PLAN	
E4.0	LIGHTING PLAN AND DETAILS	
E5.0	COMMUNICATIONS PLAN	
E6.0	ELECTRICAL DETAILS - TBCCB	
E6.1	ELECTRICAL DETAILS - TBCCB	
E7.0	ELECTRICAL DETAILS	
E7.1	ELECTRICAL DETAILS	
ELECTRICAL SHEET COUNT: 13		

SCOPE OF WORK

SW1.0	SCOPE OF WORK	
SW2.0	INSTALLATION START-UP PRE-COMM CHECK LIST	
SW2.1	BALANCING AND COMMISSIONING SEQUENCE	
SCOPE OF WORK SHEET COUNT: 3		

SPECIFICATIONS

IN BOOK FORMAT

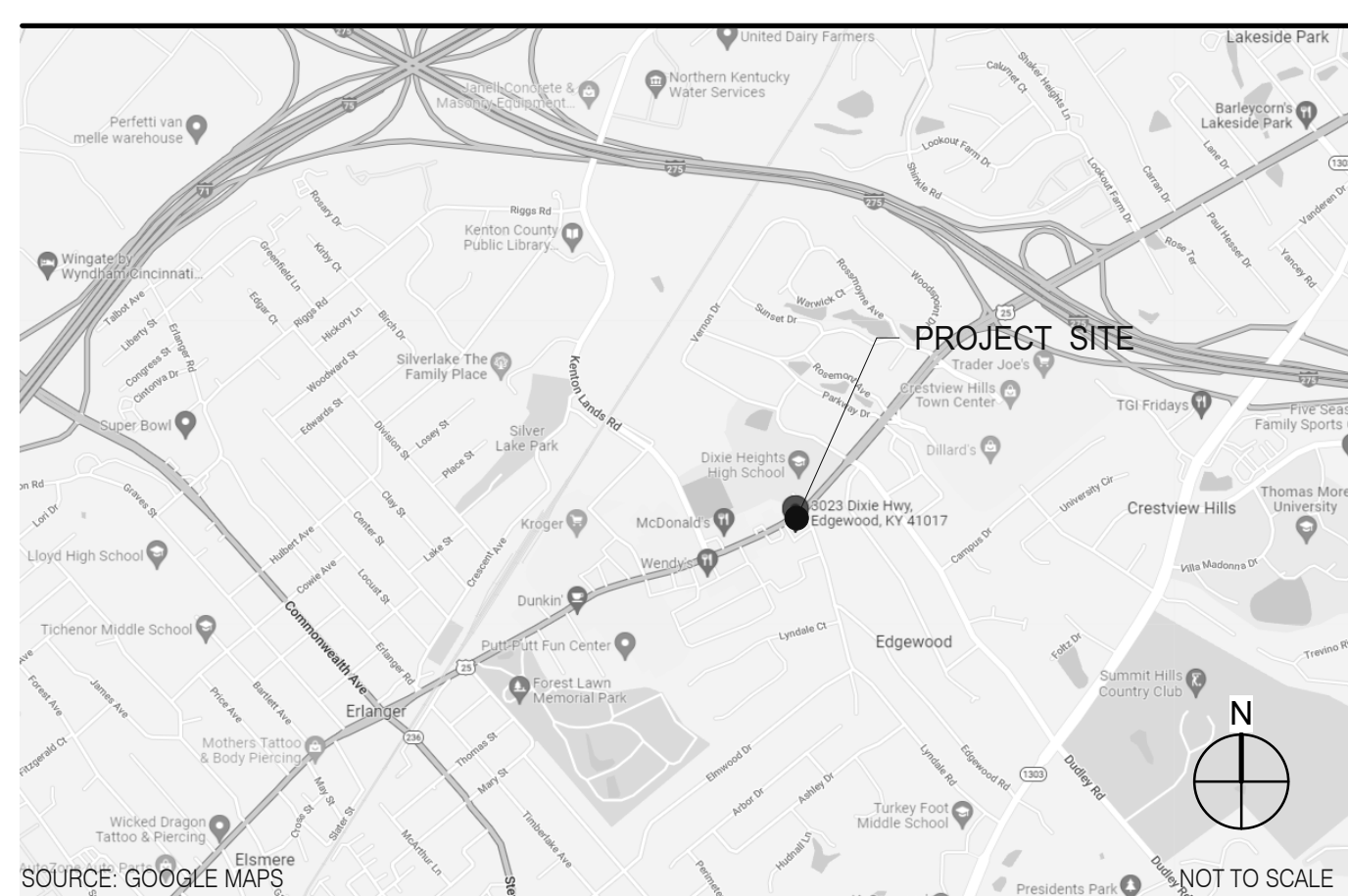
SHEET INDEX

- ALL WORK SHALL CONFORM TO THE 2018 EDITION OF THE KENTUCKY BUILDING CODE, AND ALL OTHER APPLICABLE CODES, STANDARDS, AND REGULATIONS OF THE CITY OF ERLANGER AND COUNTY OF KENTON.
- IT IS INTENDED THAT A COMPLETE OCCUPIABLE BUILDING PROJECT IS PROVIDED.
- THE GENERAL CONDITIONS OF THE CONTRACT FOR CONSTRUCTION (A.I.A. A201 LATEST EDITION) ARE A PART OF THESE CONTRACT DOCUMENTS. A COPY IS ON FILE AT THE ARCHITECT'S OFFICE.
- DRAWINGS ARE BASED ON A SURVEY, DATED NOVEMBER 10, 2021 PREPARED BY VIOX & VIOX. AND IS INCLUDED IN THESE DOCUMENTS.
- THIS BUILDING HAS BEEN DESIGNED IN ACCORDANCE WITH THE RECOMMENDATIONS OF A GEOTECHNICAL INVESTIGATION DATED APRIL 27, 2022 PREPARED BY TERRACON CONSULTANTS, INC. THE REPORT IS PART OF THESE CONTRACT DOCUMENTS, AND THE CONTRACTOR IS RESPONSIBLE FOR CARRYING OUT ITS RECOMMENDATIONS, THOUGH SOME MAY NOT BE SPECIFICALLY DETAILED ON THE PLANS.
- DO NOT SCALE THESE DRAWINGS. VERIFY ALL DIMENSIONS AND CONDITIONS IN THE FIELD. ANY DISCREPANCIES IN THESE DRAWINGS SHALL BE BROUGHT TO THE ATTENTION OF THE ARCHITECT PRIOR TO STARTING WORK.
- ALL PROPOSED SUBSTITUTIONS SHALL BE APPROVED BY THE TACO BELL CORPORATE BRAND DESIGNER OR CONSTRUCTION MANAGER, IN WRITING, PRIOR TO INSTALLATION.
- RETAIN THE PROJECT GEOTECHNICAL ENGINEER TO PROVIDE OBSERVATION AND TESTING SERVICES DURING THE GRADING (INCLUDING UTILITY TRENCHES) AND FOUNDATION PHASE OF CONSTRUCTION AS RECOMMENDED IN THE GEOTECHNICAL REPORT. ALL TESTING AND INSPECTION REPORTS, INCLUDING FINAL SUMMATION LETTER, SHALL BE SUBMITTED TO THE BUILDING DEPARTMENT AND OWNER. G.C. SHALL CERTIFY PAD ELEVATION PRIOR TO START OF FOUNDATION WORK.
- SUBMIT, PAY FEES AND OBTAIN ALL PERMITS ASSOCIATED WITH THE PROJECT EXCEPT GENERAL BUILDING PERMIT. THIS INCLUDES, BUT IS NOT LIMITED TO ELECTRICAL, MECHANICAL, PLUMBING, FIRE SPRINKLER, HOOD ANSUL, OR OTHER RELATED FIRE PERMITS, ENCROACHMENT PERMIT, ETC. YUM BRANDS WILL PAY FOR 'CONNECTION FEES' ASSOCIATED WITH UTILITY PERMITS. PAY FOR TEMPORARY FACILITIES FEES AS REQUIRED TO COMPLETE THE WORK IN A TIMELY MANNER.
- PROVIDE EACH SUBCONTRACTOR WITH A COMPLETE AGENCY-PERMITTED DRAWING SET AT TIME OF CONSTRUCTION.
- ALL ABBREVIATIONS INCLUDED FOLLOW INDUSTRY STANDARDS. CONTACT ARCHITECT IF ANY ABBREVIATIONS ARE NOT CLEAR.
- GC SHALL SUPPLY AND INSTALL ALL ASPECTS OF THE PROJECT DESCRIBED IN THIS DRAWING SET UNLESS OTHERWISE NOTED. SEE SCOPE OF WORK FOR EXCEPTIONS.
- GRAPHIC AND WRITTEN INFORMATION ON DRAWINGS SHALL BE COORDINATED WITH ALL TRADES PRIOR TO INSTALLATION.
- ALL MATERIALS STAGED TO BE USED FOR CONSTRUCTION SHALL BE PROTECTED FROM EXCESSIVE MOISTURE. IF THEY ARE EXPOSED TO MOISTURE THEY SHOULD BE ADEQUATELY DRIED AND INSPECTED FOR COMPLIANCE WITH MINIMUM QUALITY STANDARDS BEFORE ENCAPSULATED INTO THE BUILDING.
- ALL PAINTS, ADHESIVES, COATINGS AND SEALANTS USED INSIDE THE BUILDING SHALL HAVE A LOW VOC CONTENT.

OFFICE	ROOM NAME	ELEV. LETTER
A	SHEET NUMBER	ELEV. SHEET
XX	ELEVATION NUMBER	DOOR NUMBER
B		WINDOW NUMBER / DECOR ITEM NUMBER
C		KEY NOTE NUMBER
8'-4"	CEILING HEIGHT	EQUIPMENT NUMBER
X	BLDG. SECTION LETTER	WALL NUMBER
XX	BLDG. SECTION SHEET	INTERIOR ELEVATION DESIGNATION
X	DETAIL NUMBER	SHEAR WALL TYPE (STRUCTURAL)
XX	DIRECTION OF DETAIL	EQUIPMENT / FIXTURE NUMBER (M.E.P.)
	DETAIL SHEET	INDICATES SUSTAINABLE DESIGN
△	REVISION NUMBER	
0'-0"	BLDG. HEIGHT	
ELEV.	REFERENCE POINT	

REFER TO STRUCTURAL, MECHANICAL, PLUMBING AND ELECTRICAL SHEETS FOR SPECIFIC SYMBOLS

GENERAL DRAWING SYMBOLS



VICINITY MAP

PROJECT GENERAL NOTES



DATE	REMARKS
05.06.22	Issued for Permit

CONTRACT DATE:	10.06.21
BUILDING TYPE:	END, MED20
PLAN VERSION:	MARCH 2021
BRAND DESIGNER:	WANCHO
SITE NUMBER:	0
STORE NUMBER:	0
PA/PM:	AB
DRAWN BY.:	MS
JOB NO.:	2020188.06

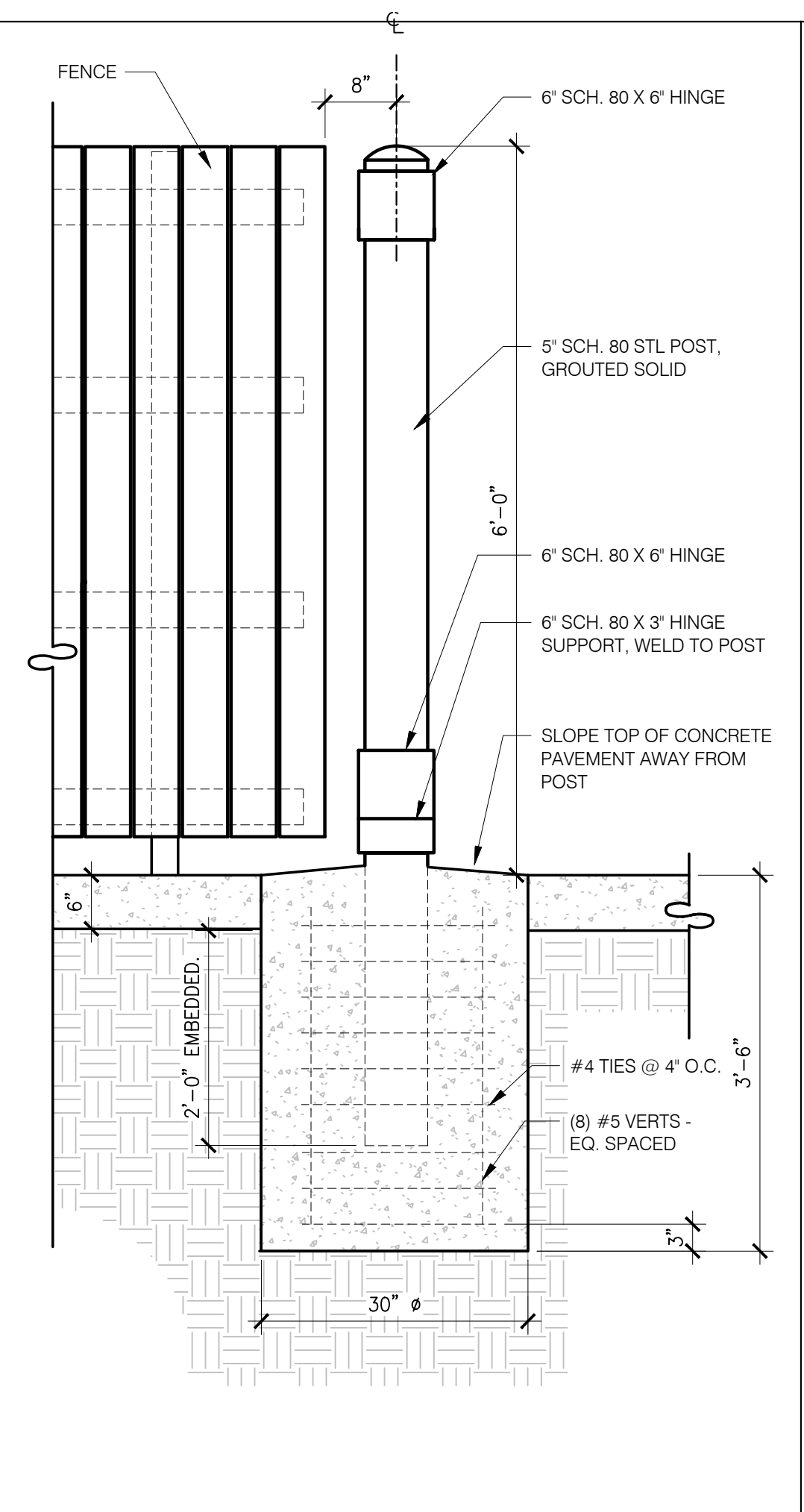
TACO BELL
3039 Dixie Highway
Edgewood, KY 41017



ENDEAVOR 2.0
TITLE SHEET

T1.0

PLOT DATE: 5/5/2022 11:13:40 AM



GATE POST FOOTING 3/4" = 1'-0" **H**

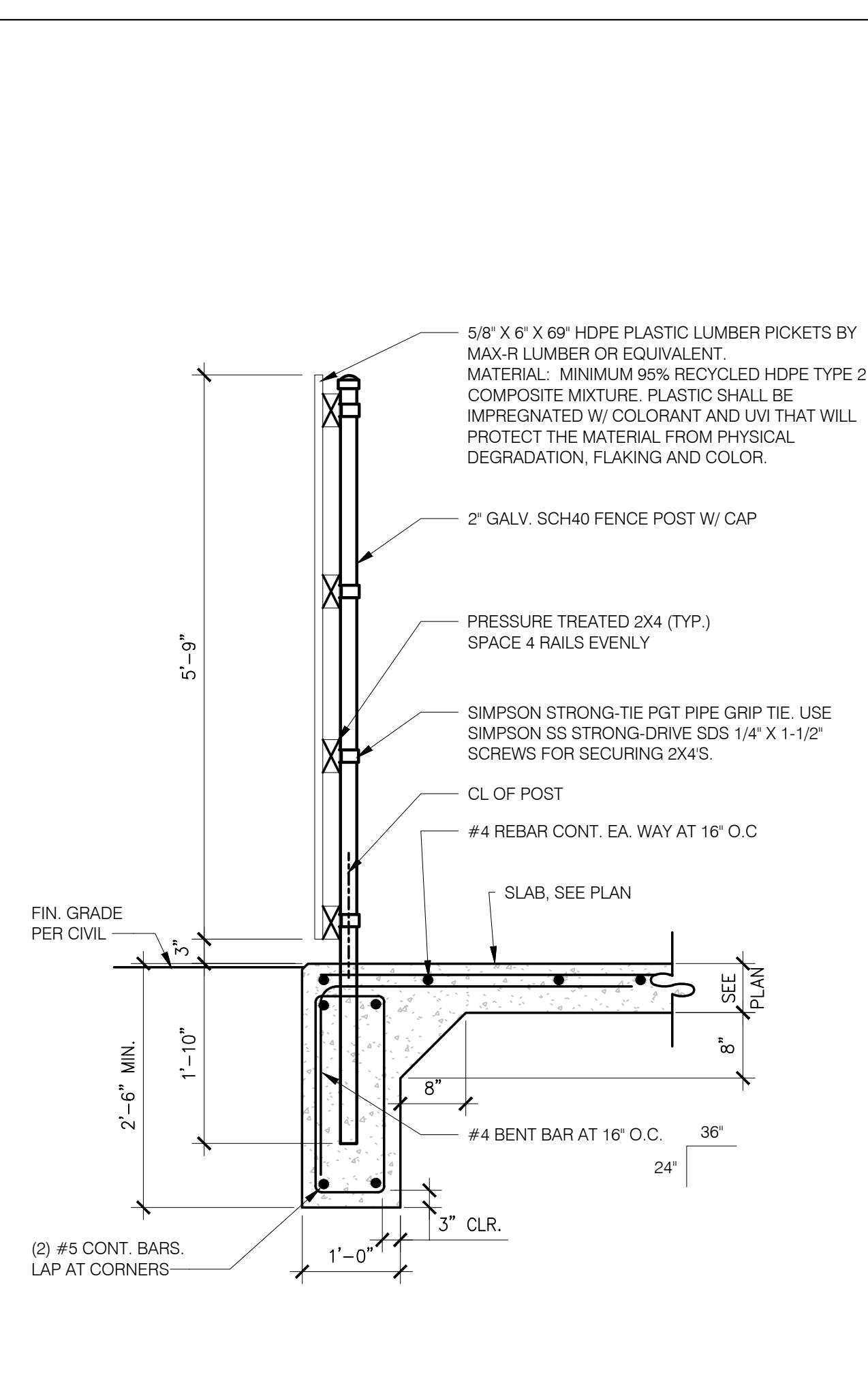
GATE HARDWARE: ALL HARDWARE AND ACCESSORIES SHALL BE HEAVY GALVANIZED.

GATE STOP: MUSHROOM TYPE OR FLUSH PLATE WITH ANCHORS SET IN CONCRETE TO ENGAGE THE CENTER DROP ROD OR PLUNGER BAR.

GATE NOTES: (4) EQUAL WIDE x 6'-0" HIGH MTL. GATES, TYPE 'B' 1 1/2" DECKING, 22GA. W/T.S. 1 X1 1875 BAR CROSS BRACING WELD AND GRIND SMOOTH ALL CONNECTIONS, TYP. PRIME AND PAINT ALL STEEL COMPONENTS.

STRUCTURAL NOTES: REFER TO STRUCTURAL GENERAL NOTES FOR THE DESIGN CRITERIA AND MATERIAL SPECIFICATIONS.

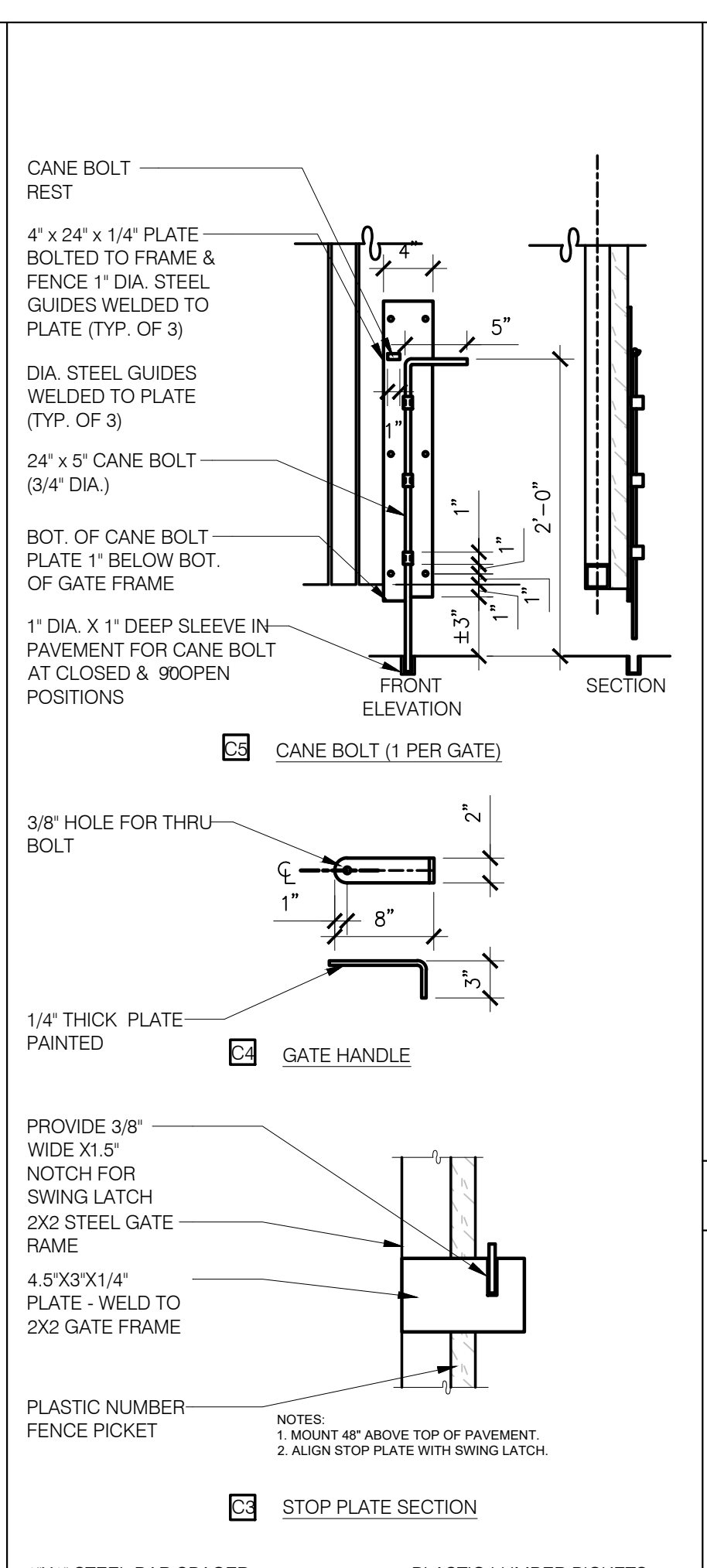
ENCLOSURE NOTES N.T.S. **G**



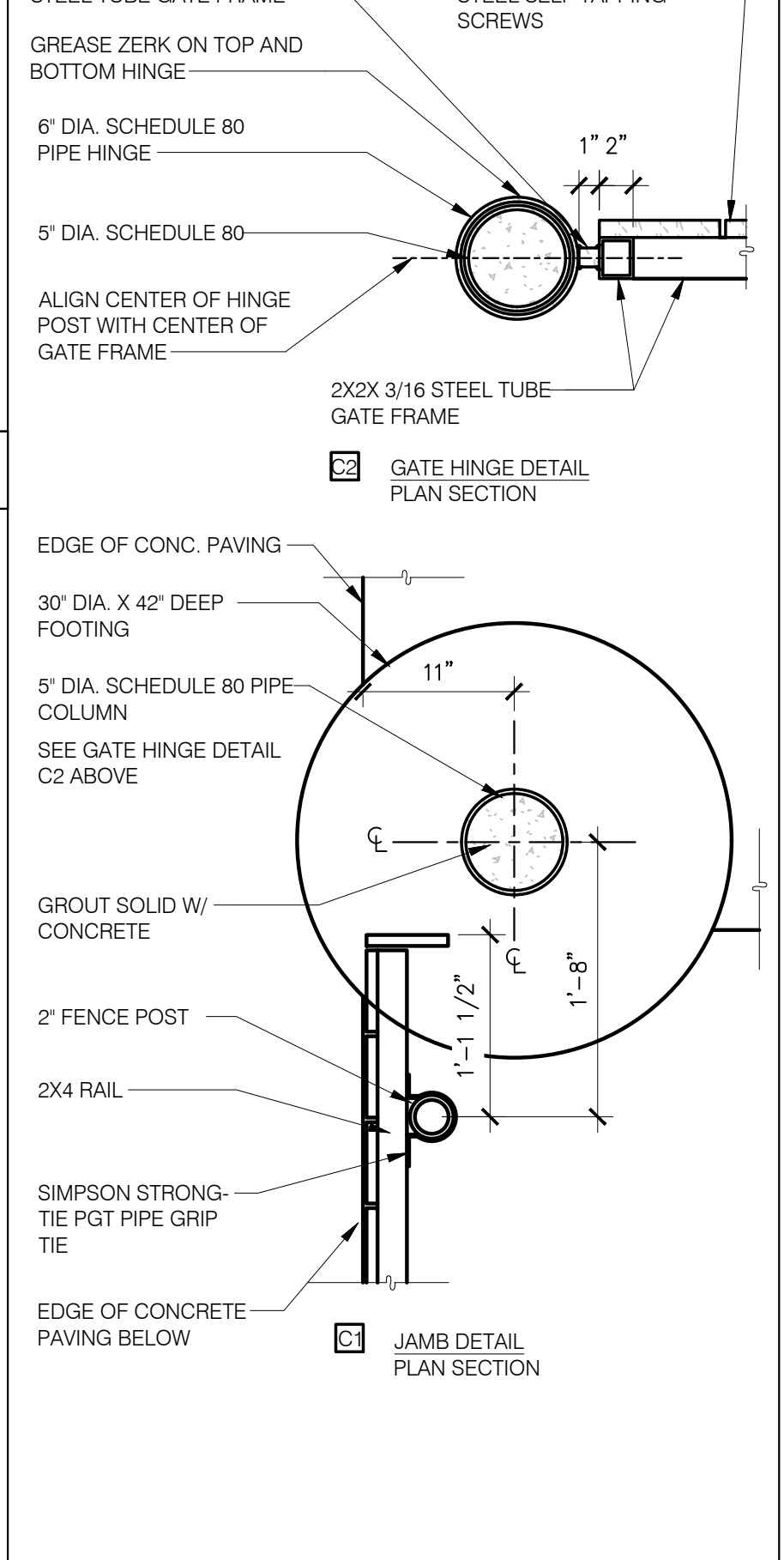
FENCE SECTION 3/4" = 1'-0" **F**

SYMBOL	AREA	MANUFACTURER	COLOR
1	GATE FRAME COLOR	SHERWIN WILLIAMS	SW 7055 ENDURING BRONZE
2	PIPE BOLLARDS	SHERWIN WILLIAMS	CAUTION YELLOW
3	HDPE LUMBER	MAX. R	LIGHT BROWN TEXTURE

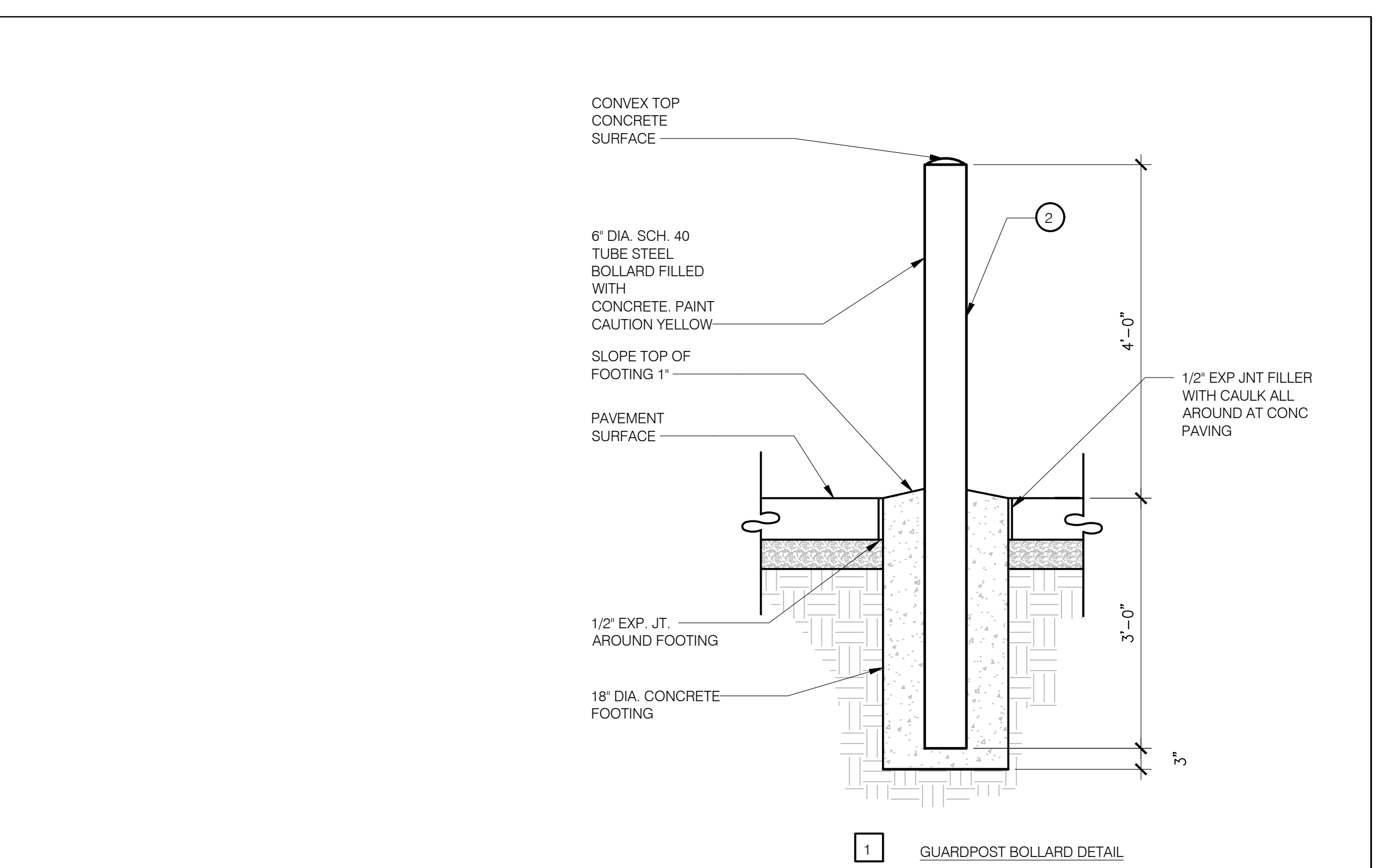
SCHEDULE N.T.S. **E**



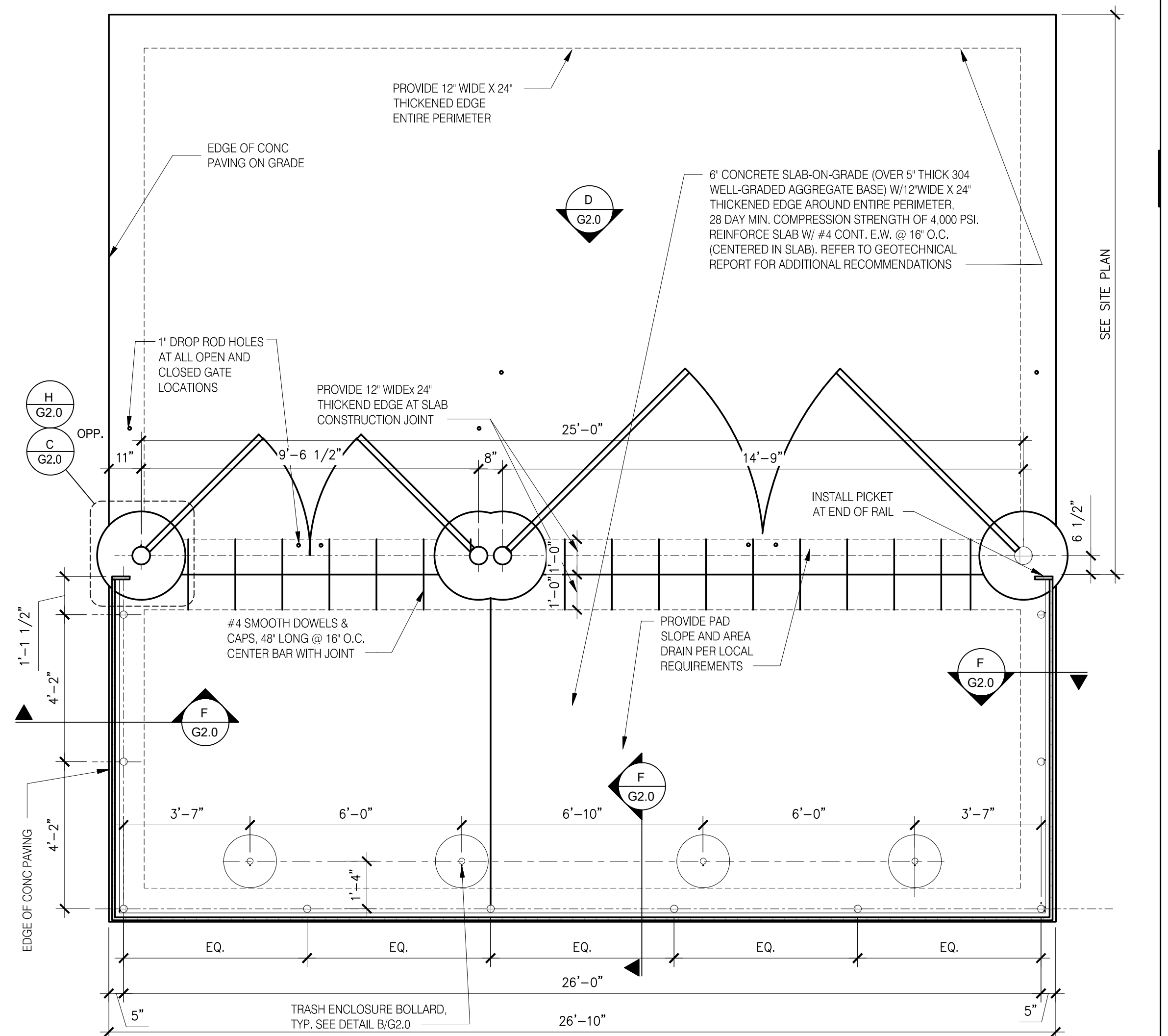
GATE DETAILS N.T.S. **C**



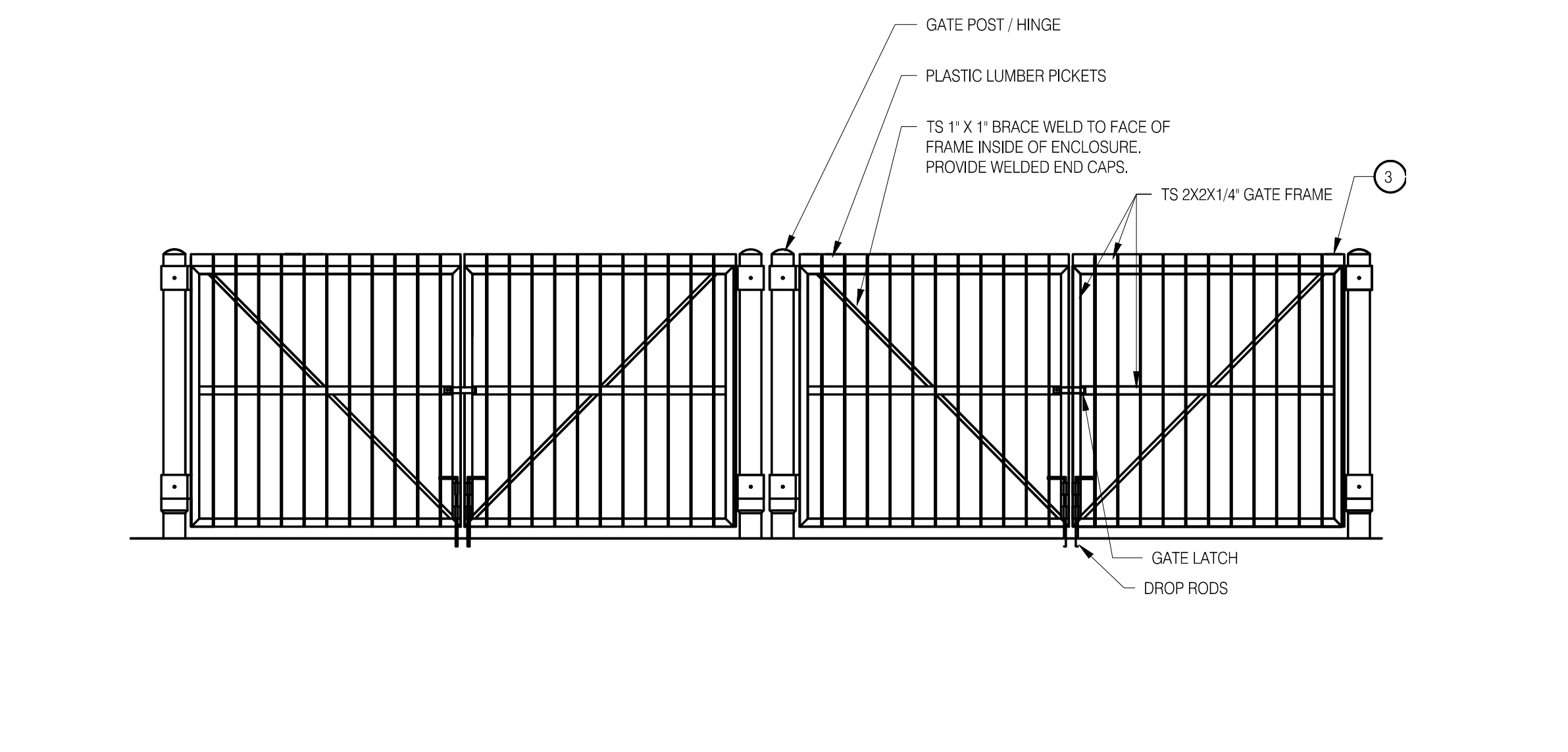
JAMB DETAIL PLAN SECTION



TRASH ENCLOSURE BOLLARD DETAIL 3/4" = 1'-0" **B**



TRASH LAYOUT 3/8" = 1'-0" **A**



FRONT ELEVATION N.T.S. **D**

DATE	REMARKS

CONTRACT DATE: 10.06.21
BUILDING TYPE: END. MED20
PLAN VERSION: MARCH 2021
BRAND DESIGNER: F.WANCHO
SITE NUMBER: 0
STORE NUMBER: 0
PA/PM: AB
DRAWN BY.: MS
JOB NO.: 2020188.06

TACO BELL

3039 DIXIE HIGHWAY
ERLANGER, KY 41017

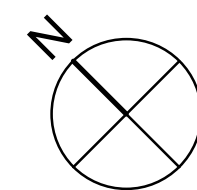
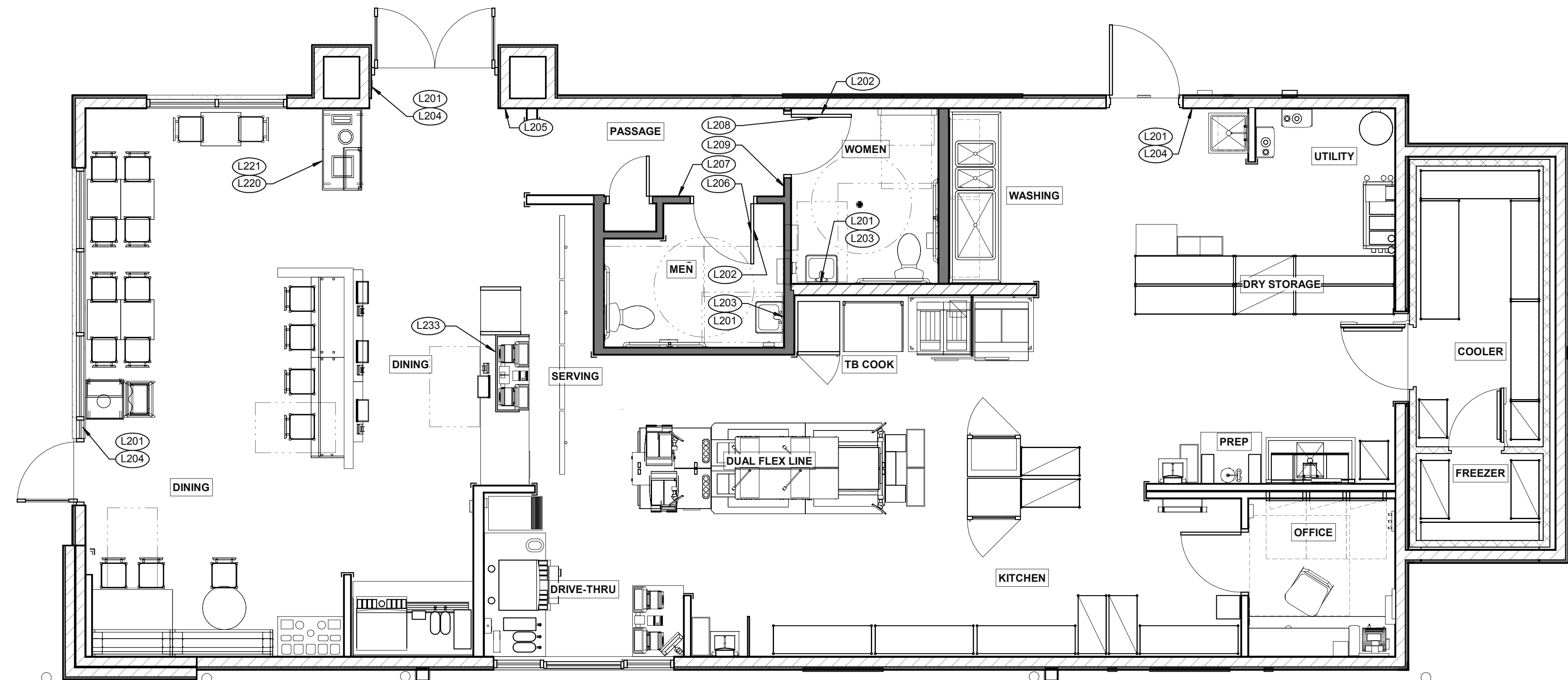


ENDEAVOR 2.0 TRASH ENCLOSURE DETAILS G2.0

PLOT DATE:



520 S. MAIN STREET, SUIT 2531
AKRON, OH 44311
330.572.2100 FAX: 330.572.2102



SIGNAGE PLAN 1/4" = 1'-0" 1

TAG	SIGN DESCRIPTION	SIGN VERBIAGE	SIZE	MOUNTING HEIGHT	QTY	LOCATION IN RESTAURANT
L201	Smoking	No Smoking or electronic cigarette use. This is a smoke free establishment	1/16 x 9 x 6	48" MIN. A.F.F. 60" MAX. A.F.F.	5	1 in each restroom, 1 at each door
L202	Clean Restroom	To our customers: We check our restrooms every 30 minutes to make sure they are always ready for you. If we have missed something, please tell our manager on duty. Thank you	1/16 x 6 x 9	60" A.F.F.	2	1 inside each restroom (back of restroom door)
L203	Hand Wash Notice	Employees must wash hands before returning to work	1/16 x 6 x 6	60" A.F.F.	2	1 inside each restroom near sink
L204	Exit (w/ Braille)	Exit	1/16 x 6 x 6	60" A.F.F.	3	1 at each exit, mounted on wall, according to ADA guidelines
L205	Occupancy	Maximum occupancy xxx persons	1/16 x 6 x 6	8'-0" to center of sign	1	Above customer exit. Only 1 is needed
L206	Men's Restroom Triangle (W/B)	INFOGRAPHIC of male	1/4 x 12 x 12	60" A.F.F.	1	Mounted on men's restroom door
L207	Men's Restroom (w/ Braille)	INFOGRAPHIC of male and braille to read: Men's restroom	1/4 x 10 x 6.5	60" A.F.F.	1	Mounted on wall next to restroom door. refer to plans and ADA guidelines for exact location
L208	Women's Restroom Circle (W/B)	INFOGRAPHIC of female	1/4 x 12 x 12	60" A.F.F.	1	Mounted on women's restroom door
L209	Women's Restroom (w/ Braille)	INFOGRAPHIC of female and braille to read: Women's restroom	1/4 x 10 x 6.5	60" A.F.F.	1	Mounted on wall next to restroom door. refer to plans and ADA guidelines for exact location
L233	If you need assistance? ADA	Please ask if you need assistance. And ADA infographic	1/16 x 3 x 6	60" A.F.F.	1	At front counter

TAG	SIGN DESCRIPTION	SIGN VERBIAGE	SIZE	MOUNTING HEIGHT	QTY	LOCATION IN RESTAURANT	LOCATION EQUIVALENT
L220	Landfill / Compost / Recycle	Landfill / Compost / Recycle	1/16 x 8.5 x 3	SEE 4/G4.0	SET OF 3	Mount on front doors of trash receptacle at top. MUST ALSO ORDER L222. Match label with shape on top of trash receptacle	L221 (use if restaurant is NOT COMPOSTING)
L221	Landfill / Plastic, Metal, Glass / Paper	Landfill / Plastic, Metal, Glass / Paper	1/16 x 8.5 x 3	SEE 4/G4.0	SET OF 3	Mount on front doors of trash receptacle at top. MUST ALSO ORDER L223. Match label with shape on top of trash receptacle	L220 (use if restaurant is COMPOSTING)

TAG	SIGN DESCRIPTION	SIGN VERBIAGE	SIZE	MOUNTING HEIGHT	QTY	LOCATION IN RESTAURANT
L201	Smoking	No Smoking or electronic cigarette use. This is a smoke free establishment	1/16 x 9 x 6	48" MIN. A.F.F. 60" MAX. A.F.F.	5	1 in each restroom, 1 at each door
L202	Clean Restroom	To our customers: We check our restrooms every 30 minutes to make sure they are always ready for you. If we have missed something, please tell our manager on duty. Thank you	1/16 x 6 x 9	60" A.F.F.	2	1 inside each restroom (back of restroom door)
L203	Hand Wash Notice	Employees must wash hands before returning to work	1/16 x 6 x 6	60" A.F.F.	2	1 inside each restroom near sink
L204	Exit (w/ Braille)	Exit	1/16 x 6 x 6	60" A.F.F.	3	1 at each exit, mounted on wall, according to ADA guidelines
L205	Occupancy	Maximum occupancy xxx persons	1/16 x 6 x 6	8'-0" to center of sign	1	Above customer exit. Only 1 is needed
L206	Men's Restroom Triangle (W/B)	INFOGRAPHIC of male	1/4 x 12 x 12	60" A.F.F.	1	Mounted on men's restroom door
L207	Men's Restroom (w/ Braille)	INFOGRAPHIC of male and braille to read: Men's restroom	1/4 x 10 x 6.5	60" A.F.F.	1	Mounted on wall next to restroom door. refer to plans and ADA guidelines for exact location
L208	Women's Restroom Circle (W/B)	INFOGRAPHIC of female	1/4 x 12 x 12	60" A.F.F.	1	Mounted on women's restroom door
L209	Women's Restroom (w/ Braille)	INFOGRAPHIC of female and braille to read: Women's restroom	1/4 x 10 x 6.5	60" A.F.F.	1	Mounted on wall next to restroom door. refer to plans and ADA guidelines for exact location
L233	If you need assistance? ADA	Please ask if you need assistance. And ADA infographic	1/16 x 3 x 6	60" A.F.F.	1	At front counter

STANDARD REQUIRED SIGNAGE 3

ALTERNATE SIGNAGE 2

DATE	REMARKS
05.06.22	Issued for Permit

CONTRACT DATE: 10.06.21
BUILDING TYPE: END. MED20
PLAN VERSION: MARCH 2021
BRAND DESIGNER: WANCHO
SITE NUMBER: 0
STORE NUMBER: 0
PA/PM: AB
DRAWN BY.: MS
JOB NO.: 2020188.06

TACO BELL

3039 Dixie Highway
Edgewood, KY 41017



ENDEAVOR 2.0 SIGNAGE PLAN

G4.0

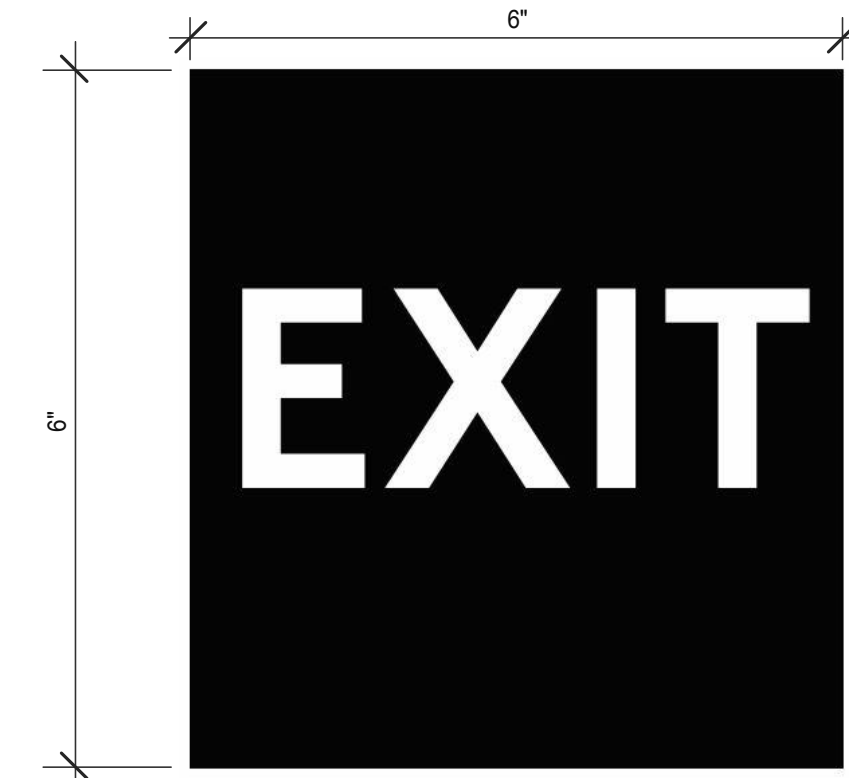
C:\Users\matt\Documents\ARCH_L\BMO_E\matt_KY\matt_KY\BelleGPD\matt_KY



3 STREAM TRASH 1 - BIN LABELS (L220) **13**



WOMEN RESTROOM WHITE SIGN (L208) **9**



EXIT BRAILLE SIGN (L204) **5**



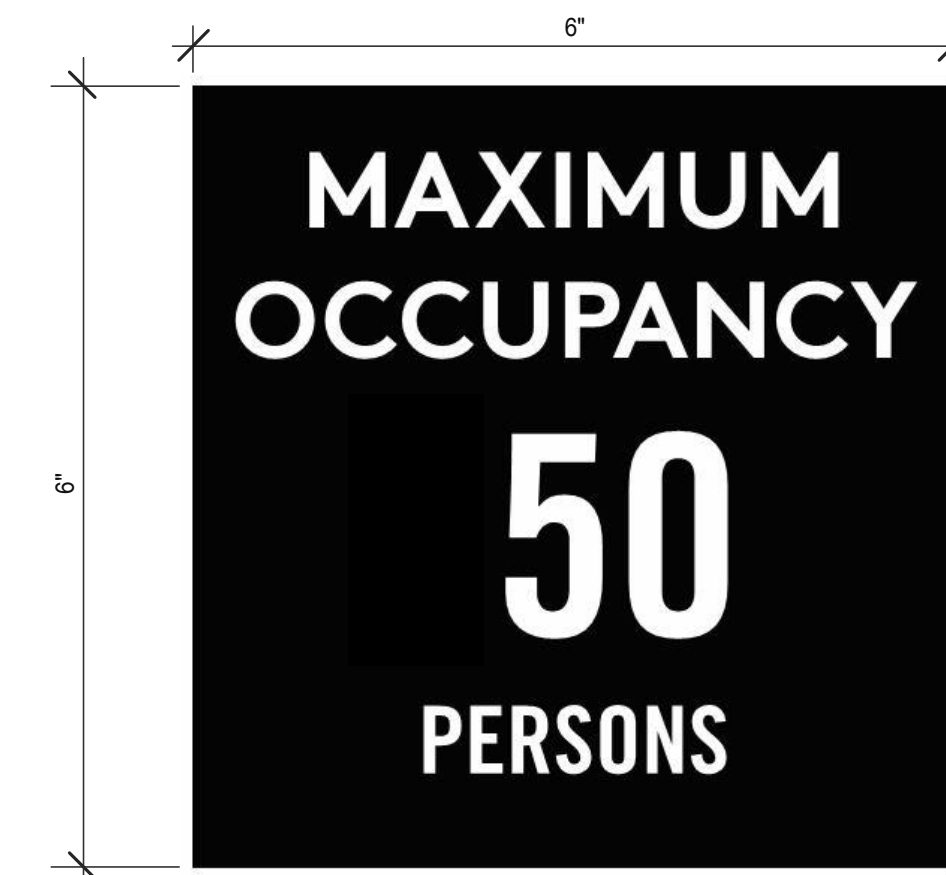
NO SMOKING SIGN (L201) **1**



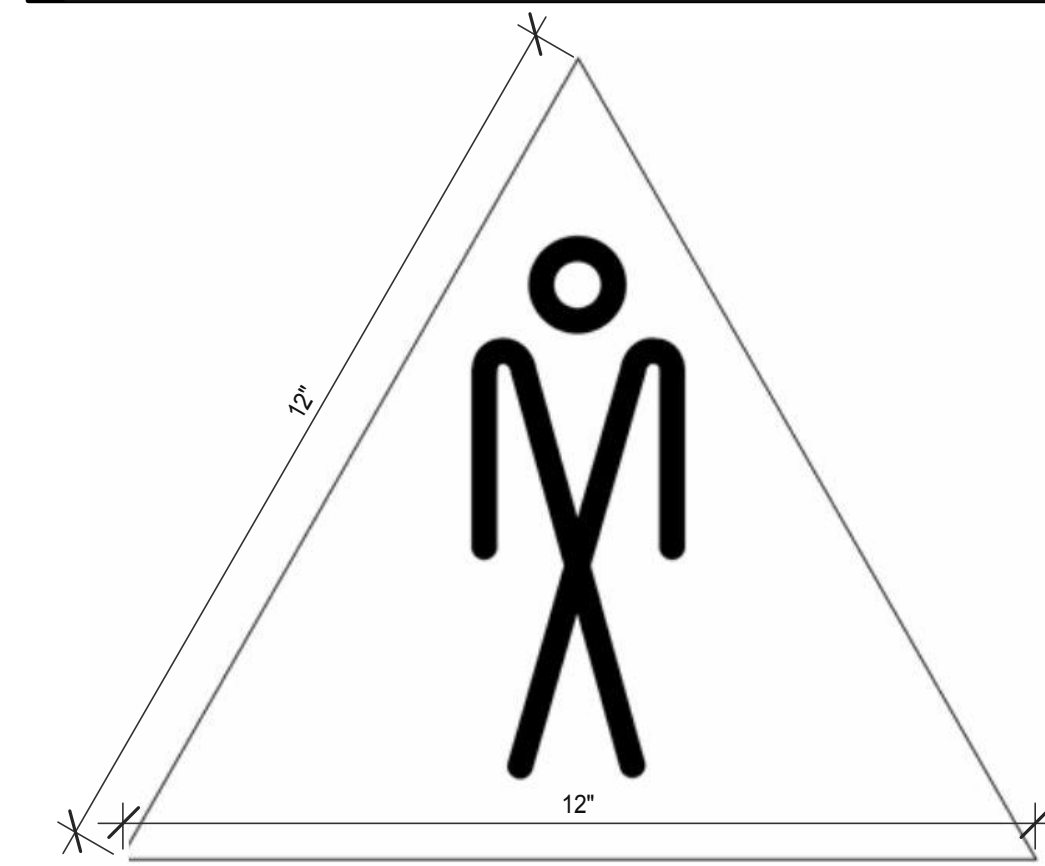
3 STREAM TRASH 2 - LABELS (L221) **14**



WOMEN RESTROOM BRAILLE SIGN (L209) **10**



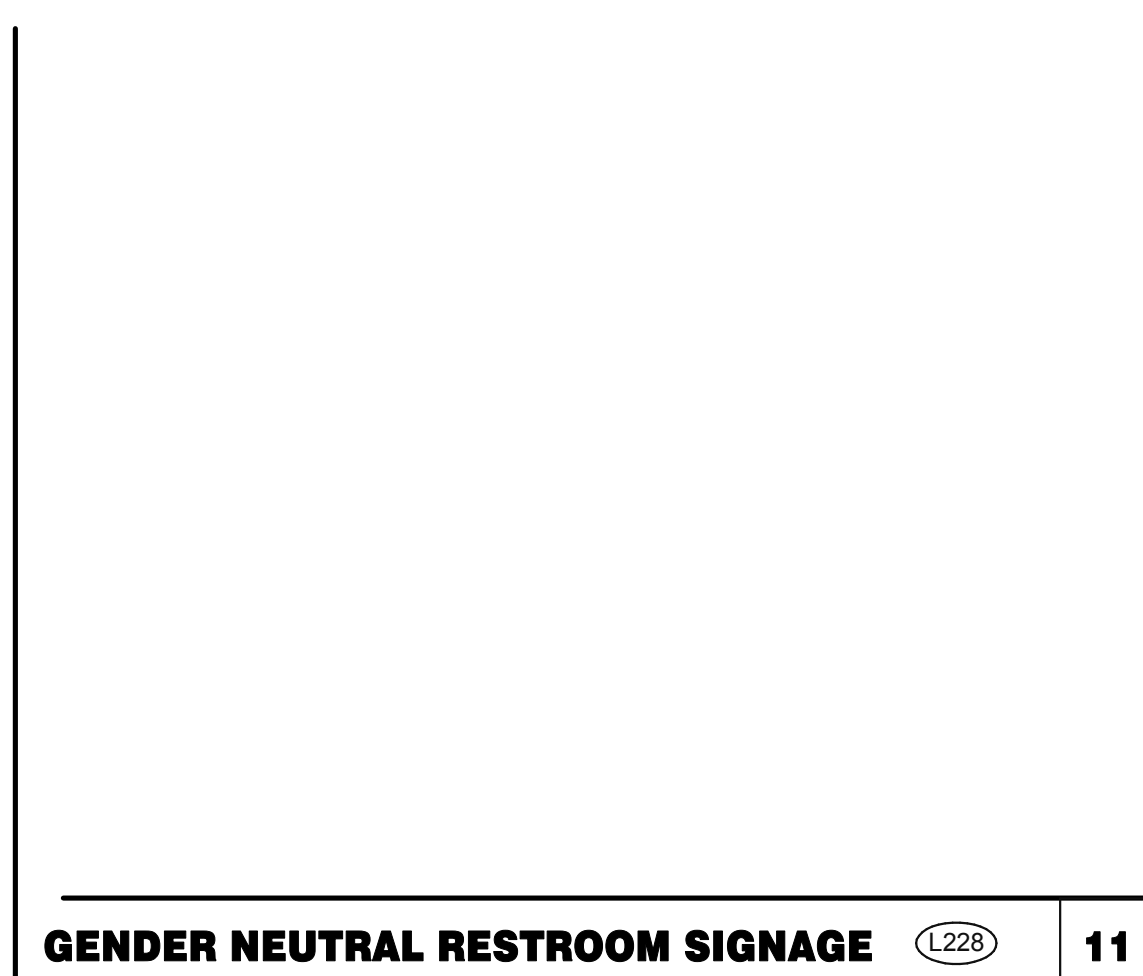
OCCUPANCY SIGN (L205) **6**



MEN RESTROOM WHITE SIGN (L206) **7**



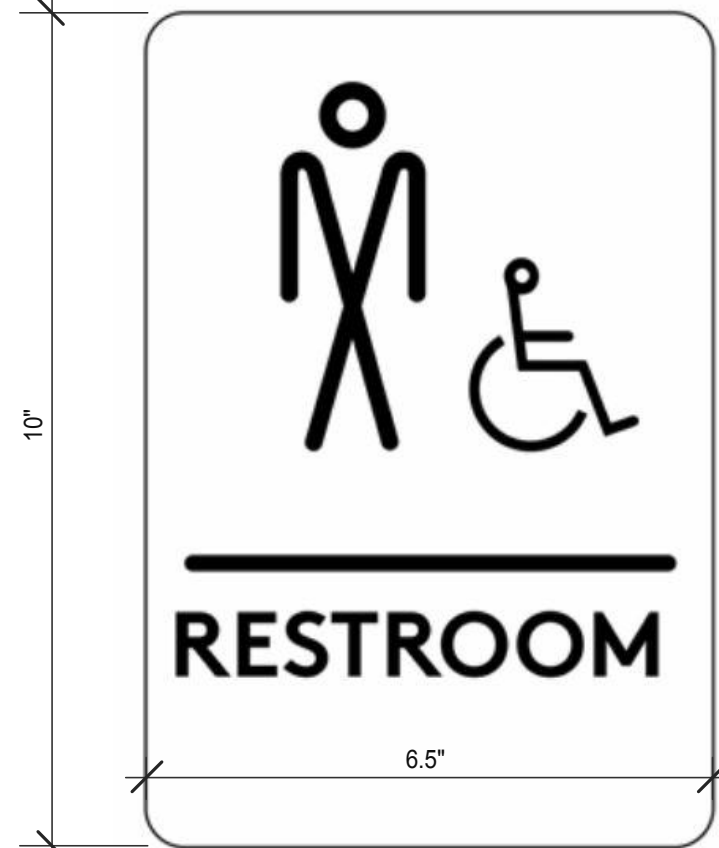
CLEAN RESTROOM SIGN (L202) **3**



GENDER NEUTRAL RESTROOM SIGNAGE (L228) **11**



IF YOU NEED ASSISTANCE (L233) **12**



MEN RESTROOM BRAILLE SIGN (L207) **8**



HAND WASH NOTICE SIGN (L203) **4**

DATE	REMARKS
05.06.22	Issued for Permit

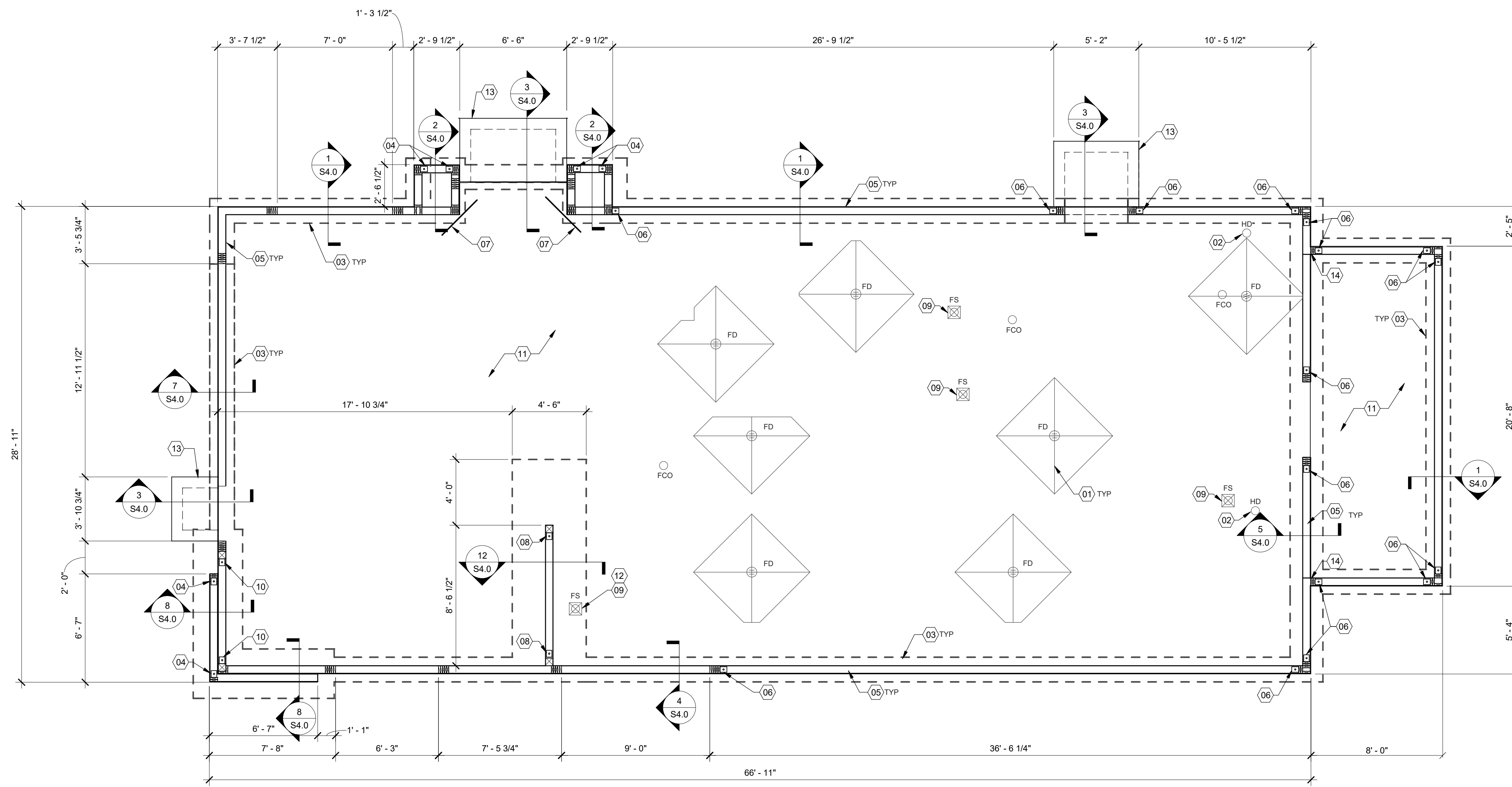
CONTRACT DATE: 10.06.21
BUILDING TYPE: END. MED20
PLAN VERSION: MARCH 2021
BRAND DESIGNER: WANCHO
SITE NUMBER: 0
STORE NUMBER: 0
PA/PM: AB
DRAWN BY.: RS
JOB NO.: 2020188.06

TACO BELL
3039 Dixie Highway
Edgewood, KY 41017



ENDEAVOR 2.0
**SIGNAGE
DETAILS**

G4.1
PLOT DATE: 5/5/2022 11:13:12 AM



FOUNDATION PLAN 1/4" = 1'-0" A

DESIGN CRITERIA:

DESIGN CRITERIA:	
2018 KENTUCKY BUILDING CODE (2015 IBC)	
ROOF SNOW LOADS:	
GROUND SNOW LOAD (Pg):	20 PSF
EXPOSURE FACTOR (Ce):	1.0
IMPORTANCE FACTOR (I):	1.0
THERMAL FACTOR (Ct):	1.0
FLAT ROOF SNOW LOAD (Pf):	14 PSF
MIN. ROOF SNOW LOAD (Pmin):	20 PSF
WIND LOADS:	
3 SECOND GUST:	115 MPH
EXPOSURE CATEGORY (MMFRS):	B
INTERNAL PRESSURE COEFF.: ± 0.18	
SEE SHEET S4.4 FOR COMPONENT AND CLADDING PRESSURES AND DIAGRAM.	

FOUNDATION NOTES - TYP. U.N.O.:

FOUNDATION

A. GEOTECHNICAL INFORMATION WAS OBTAINED FROM THE "REPORT OF GEOTECHNICAL EXPLORATION" PREPARED BY TERRACON CONSULTANTS, INC. DATED APRIL 27, 2022. A SOILS TESTING LABORATORY SHALL BE RETAINED BY THE OWNER TO PROVIDE CONSTRUCTION REVIEW, TO TEST EXISTING SOIL CONDITIONS AND ENSURE CONFORMANCE WITH THE CONSTRUCTION DOCUMENTS DURING THE EXCAVATION, BACKFILL, AND FOUNDATION PHASES OF THE PROJECT. CONTACT DESIGN ENGINEER IMMEDIATELY IF SOILS ENCOUNTERED DO NOT MEET ASSUMED DESIGN SPECIFICATIONS.

B. REMOVE ALL EXISTING FILL SOILS WITHIN THE BUILDING FOOTPRINT AND APPROXIMATELY 5 FEET OUTSIDE THE OUTER MOST FOUNDATION LIMIT AND REPLACE WITH SUITABLE STRUCTURAL SOIL FILL, IN ACCORDANCE WITH THE ABOVE-REFERENCED REPORT OF GEOTECHNICAL EXPLORATION.

C. BASED ON THE ABOVE-REFERENCED GEOTECHNICAL REPORT, THE FOUNDATIONS HAVE BEEN DESIGNED FOR AN ALLOWABLE SOIL BEARING PRESSURE OF 3000 PSF. ON-SITE GEOTECHNICAL ENGINEER SHALL VERIFY THAT ALL BEARING SURFACES MEET OR EXCEED THE ASSUMED SOIL BEARING CAPACITY. THE FOUNDATION SHALL BEAR ON FIRM, UNDISTURBED, NATIVE SOILS OR ENGINEERED FILL AT OR EXCEEDING DEPTHS SHOWN ON THE DRAWINGS. INCREASE DEPTH AS REQUIRED BY ON-SITE GEOTECHNICAL ENGINEER. THE FOUNDATION EXCAVATION SHALL BE AS NEAT AS PRACTICAL. OVER EXCAVATION IN DEPTH AND WIDTH SHALL BE FILLED WITH LEAN CONCRETE, OR COMPACTED, APPROVED BACKFILL. ALL LOOSE SOILS SHALL BE REMOVED FROM THE EXCAVATION PRIOR TO PLACEMENT OF REINFORCING OR CONCRETE. IF POOR SOIL CONDITIONS ARE ENCOUNTERED AT THE FOUNDATION DEPTH SHOWN, NOTIFY OWNER'S REPRESENTATIVE AND ENGINEER BEFORE PROCEEDING WITH CONSTRUCTION.

D. CONTRACTOR TO PROVIDE FOUNDATION & FOOTINGS AS REQUIRED FOR PYLON OR MONUMENTAL SIGN. SEE ELECTRICAL DRAWINGS FOR DETAIL.

E. PROTECT PIPES AND CONDUITS RUNNING THROUGH WALLS AND SLABS WITH 1/2 INCH EXPANSION MATERIAL. LOWER CONTINUOUS FOOTINGS PERPENDICULAR TO PIPE RUNS TO ALLOW PIPES TO PASS ABOVE THE FOOTINGS. ALTERNATIVELY, PROVIDE A CONCRETE JACKET IF PIPES ARE LOW ENOUGH TO BE PLACED BELOW THE FOOTINGS AND GRADE BEAMS. LOWER FOOTINGS AND GRADE BEAMS PARALLEL TO PIPE RUNS TO AVOID SURCHARGE ONTO ADJACENT TRENCH EXCAVATIONS.

F. MAINTAIN SUBGRADE AND FILL MOISTURE CONTENT UNTIL FOUNDATIONS ARE PLACED.

G. ARRANGE FOR OWNER'S INDEPENDENT TESTING AGENCY TO MONITOR CUT AND FILL OPERATIONS AND PERFORM FIELD DENSITY AND MOISTURE CONTENT TESTS TO VERIFY COMPACTION AND APPROVE FOOTING SUBGRADES PRIOR TO PLACING CONCRETE.

H. DO NOT PLACE FOOTINGS OR SLABS AGAINST SUBGRADE CONTAINING FREE WATER, FROST, OR ICE.

I. MAINTAIN PROPER SITE DRAINAGE DURING CONSTRUCTION TO ENSURE SURFACE RUNOFF AWAY FROM STRUCTURES AND TO PREVENT PONDING OF SURFACE RUNOFF NEAR THE STRUCTURES.

CONCRETE:

CONCRETE SHALL BE HARD ROCK CONC. (5 SACK CEMENT PER CU YD. MIN.) AND MEET THE FOLLOWING MIN. ULTIMATE COMPRESSIVE STRENGTHS AT 28 DAYS:

LOCATION	MIN STRENGTH 28 DAY PSI	AGGREGATE SIZE - INCHES	SLUMP INCHES	TOLERANCE
SLAB ON GRADE	(4000 DESIGN)	1" x 4"	3-1/2"	±1/2"
FOUNDATIONS	(4000 DESIGN)	1" x 4"	3-1/2"	±1/2"

A. CONCRETE MIX DESIGN AND TESTING SHALL MEET WITH THESE SPECS. CEMENT SHALL BE IN ACCORDANCE WITH ASTM C 150 TYPE II. VERIFY MIN. CONC. STRENGTH AND CEMENT TYPE.

B. REINFORCING STEEL SHALL CONFORM TO ASTM A-615, GRADE 60. STEEL SHALL BE KEPT CLEAN AND FREE OF RUST.

C. CONCRETE CURING SHALL BE IN ACCORDANCE WITH REQUIREMENTS OF ACI-318-14 SECTION 5.11 AND STANDARD PRACTICE FOR CURING CONCRETE REPORTED BY COMMITTEE 308.

D. ANCHOR BOLTS - A36 OR A307. ANCHOR BOLTS SHALL BE TIED IN PLACE PRIOR TO PLACEMENT OF CONCRETE. SEE SCHEDULE FOR REQUIREMENTS.

E. TO RESIST FREEZE - THAW DEGRADATION W/C. RATIO SHALL NOT EXCEED .50 FOR CONCRETE IN CONTACT WITH SOILS.

F. TOTAL AIR CONTENT TO BE 6% ± 1%.

SLAB:

A. DESIGN IS BASED UPON 4" THICK CONCRETE SLAB REINFORCED WITH WWF 6x6-W2.9xW2.9 (CENTERED IN SLAB) OVER 10 MIL VISQUEEN MEMBRANE, OVER 6" AGGREGATE BASE, OVER ENGINEERED SUBGRADE.

MISCELLANEOUS:

A. DIMENSIONS NOTED ARE TO FACE OF CONCRETE. REFER TO DWG. A1.0 FOR DIMENSIONS TO FACE OF STUD AND OTHER DIMENSIONS NOT OTHERWISE NOTED.

B. DRAWINGS SHALL NOT BE SCALED. ALL DIMENSIONS AND FIT SHALL BE DETERMINED AND VERIFIED BY THE CONTRACTOR PRIOR TO COMMENCEMENT OF WORK.

C. DETAILS NOT FULLY OR SPECIFICALLY SHOWN SHALL BE OF SAME NATURE AS OTHER SIMILAR CONDITIONS.

D. SEE PLUMB. DWGS. FOR PLUMB. LAYOUT DIMENSIONS, U.O.N.

E. SEE ELECT. DWGS. FOR ELECT. LAYOUT DIMENSIONS, U.O.N.

F. COORD. FOUNDATION AND SLAB LAYOUT WITH OTHER TRADES PRIOR TO PLACING SLAB.

SPECIAL INSPECTIONS:

SPECIAL INSPECTIONS ARE TO BE PROVIDED IN ACCORDANCE WITH SECTION 1704. SPECIAL INSPECTIONS SHALL BE IN ADDITION TO THE INSPECTIONS CONDUCTED BY THE DEPARTMENT OF BUILDING SAFETY AND SHALL NOT BE CONSTRUED TO RELIEVE THE OWNER OR THEIR AUTHORIZED AGENT FROM REQUESTING THE PERIODIC AND CALLED INSPECTIONS REQUIRED BY THE BUILDING CODE. SPECIAL INSPECTION SHALL BE PAID BY THE OWNER.

REQUIRED SPECIAL INSPECTIONS:

IN ADDITION TO THE REGULAR INSPECTIONS, THE FOLLOWING ITEMS WILL ALSO REQUIRE SPECIAL INSPECTION IN ACCORDANCE WITH THE BUILDING CODE.

A. SOILS COMPLIANCE PRIOR TO FOUNDATION INSPECTION (COMPACTING FILL, SPECIAL GRADING)

B. STRUCTURAL CONCRETE OVER 2,500 PSI

SPECIAL INSPECTOR SHALL MEET THE QUALIFICATIONS AS STATED IN THE BUILDING CODE AND SHALL PERFORM THE DUTIES AND RESPONSIBILITIES AS OUTLINED IN THE BUILDING CODE. THE SPECIAL INSPECTOR SHALL PROVIDE INSPECTION REPORTS TO THE CODE OFFICIAL, ENGINEER AND OWNER.

- (01) SLAB SHALL BE PITCHED 1/2" FOR 5'-0" x 5'-0" SQUARE AT ALL FLOOR DRAINS U.O.N. REFER TO PLUMBING DRAWINGS FOR LOCATIONS.
- (02) PROVIDE HUB DRAIN (HD) UNLESS REQUIRED BY LOCAL CODE TO HAVE FLOOR SINK (FS).
- (03) INDICATES INSIDE SURFACE OF FOOTING. SEE SHEET S4.0.
- (04) HTTS HOLDOWN ANCHOR. SEE 6/S4.0 FOR HOLDOWN EMBEDMENT DETAIL.
- (05) ANCHOR BOLTS LOCATED THROUGHOUT PERIMETER OF BUILDING SHALL BE PROVIDED AS REQUIRED PER THE "PLATE/ANCHOR BOLT" COLUMN OF THE "WALL SHEATHING AND SHEARWALL SCHEDULE." SEE D/S2.0.
- (06) HDUS HOLDOWN ANCHOR AT EACH END OF SHEARWALL. SEE 6/S4.0 FOR HOLDOWN EMBEDMENT DETAIL.
- (07) (2) #4x3'-0" LG. RE-ENTRANT BARS (CENTERED IN SLAB) AT ALL RE-ENTRANT CORNERS.
- (08) HD19 HOLDOWN ANCHOR AT EACH END OF SHEARWALL. SEE 6/S4.0 FOR HOLDOWN EMBEDMENT DETAIL.
- (09) FLOOR SINK REFER TO PLUMBING DRAWINGS FOR LOCATION.
- (10) HD12 HOLDOWN ANCHOR AT EACH END OF FRONT SHEARWALL. SEE 6/S4.0 FOR HOLDOWN EMBEDMENT DETAIL. ENTRANT CORNERS.
- (11) 4" CONCRETE SLAB - SEE FOUNDATION PLAN NOTES DIS1.0. MODIFY BASE MATERIAL AS REQUIRED BY ON-SITE SOILS TESTING AGENCY. PROVIDE BOND BREAKER BETWEEN SLAB AND BUILDING FOUNDATIONS.
- (12) FORM FOOTING TO ACCOMMODATE FLOOR SINK AND DRAIN LINE INSTALLATION.
- (13) FROST SLAB - SEE CIVIL PLANS FOR TOP OF CONCRETE ELEVATION.
- (14) SHEAR WALL SHEATHING SHALL BE CONTINUOUS AT COOLER WALL INTERSECTION.

DATE	REMARKS
05.06.22	Issued for Bid

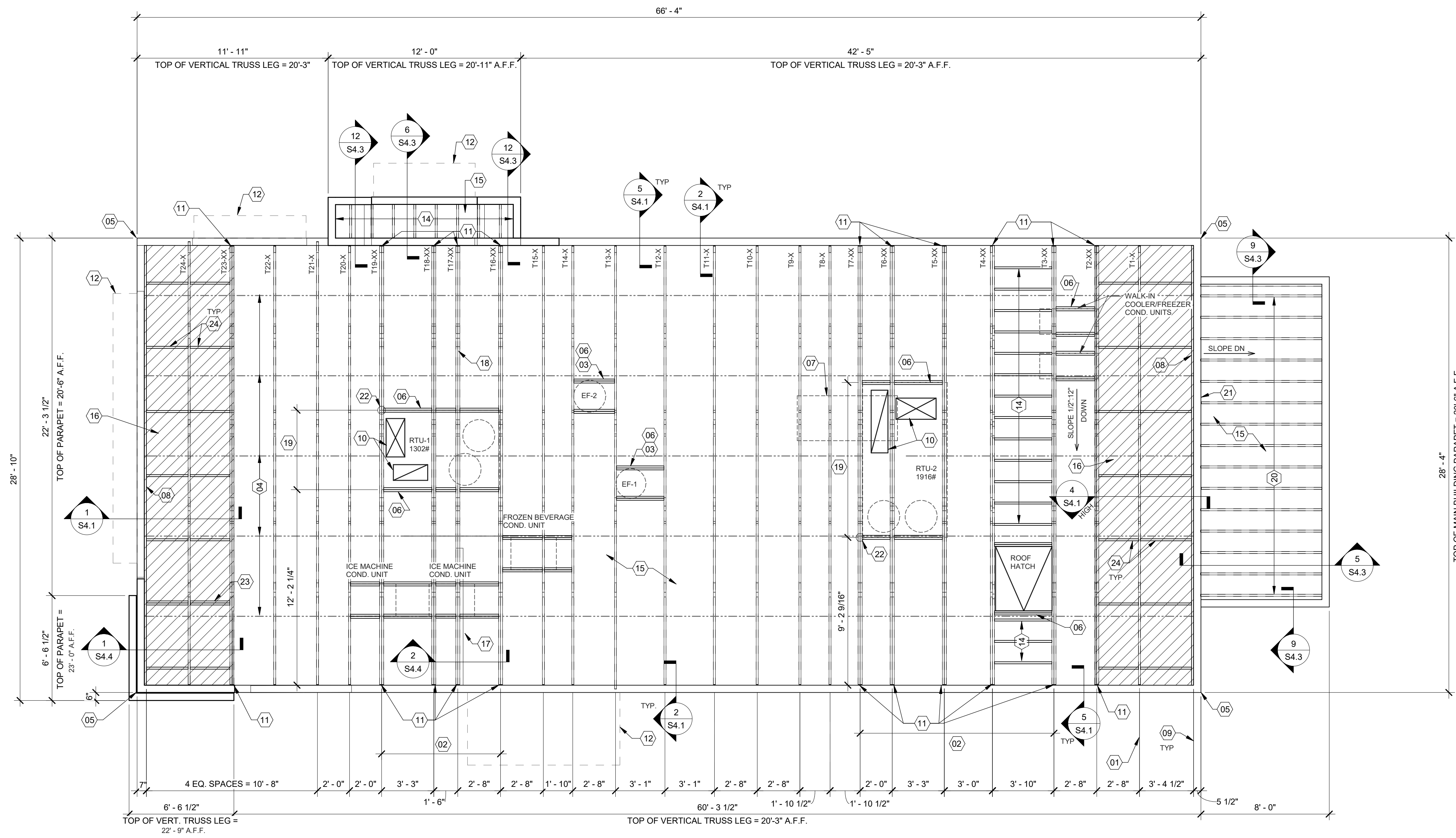
CONTRACT DATE: 10.06.21
BUILDING TYPE: END, MED20
PLAN VERSION: MARCH 2021
BRAND DESIGNER:
SITE NUMBER: 0
STORE NUMBER: 0
PA/PM: AB
DRAWN BY.: CD
JOB NO.: 2020188.06

TACO BELL
3039 Dixie Highway
Edgewood, KY 41017



**ENDEAVOR 2.0
FOUNDATION
PLAN**

S1.0



EXTREME CARE SHALL BE USED IN ERECTING ROOF TRUSSES - COMPLY WITH TPI BRACING REQUIREMENTS.

ROOF NOT DESIGNED FOR PONDING. SEE ARCHITECTURAL DRAWINGS FOR DRAIN REQUIREMENTS.

ROOF FRAMING PLAN 1/4" = 1'-0" A

ROOF NAILING SCHEDULE		
TYPE	NAILING / SHEATHING	REMARKS
BN	10d @ 6" O.C.	
EN	10d @ 6" O.C.	
FN	10d @ 12" O.C.	
ROOF SHEATHING	23/32" CDX PLYWOOD (48/24), PS1 RATING	

NOTES:
SEE 8/S4.2 FOR DEFINITIONS AND ROOF NAILING PLAN.
SEE 11/S4.2 FOR TYPICAL NAILING SCHEDULE.

ROOF FRAMING NOTES:

A. ALL UNSUPPORTED EDGES OF PLYWOOD SHEATHING SHALL BE SUPPORTED WITH SIMPSON PSCCL CLIPS. PROVIDE (2) CLIPS EQUALLY SPACED BETWEEN EACH TRUSS/SUPPORT. SEE DETAIL 9/S4.2. OSB OF COMPARABLE THICKNESS MAY BE USED IN LIEU OF PLYWOOD WHEN APPROVED IN WRITING BY THE PROJECT ENGINEER AND THE LOCAL JURISDICTION.

B. ALL MECHANICAL SUPPLY AND RETURN OPENINGS SHALL BE BETWEEN FRAMING U.O.N.

MANUFACTURED ROOF TRUSS NOTES:

A. MFRD ROOF TRUSSES ARE AT 2'-8" O.C. U.O.N.

B. "T" DENOTES ROOF TRUSS TYPE. REFER TO SCHEDULE 7/S4.2

C. TRUSS DWGS ARE PROVIDED FOR CONCEPTUAL DESIGN ONLY. MFR SHALL SUBMIT SHOP DWGS. AND CALCS. BOTH SIGNED BY A LICENSED STRUCTURAL ENGINEER (STATE OF KENTUCKY). SUBMIT SHOP DWGS. AND CALCS TO THE ARCHITECT AND ENGINEER FOR REVIEW AND SUBMITTAL AND, IF REQUIRED, TO BLDG OFFICIAL FOR APPROVAL PRIOR TO FABRICATION. SHOP DWGS SHALL INCLUDE LAYOUT PLAN AND CONNECTORS. CALCS SHALL BE BASED ON THE SPECIFIED LOADING CONDITIONS SHOWN HEREIN. MFR SHALL PROVIDE HANGERS AND CONNECTIONS BETWEEN TRUSSES. REVIEW AND APPROVE DIMENSIONS, SHAPES AND DETAILS SHOWN ON SHOP DWGS. PRIOR TO SUBMITTAL TO THE ARCHITECT/ENGINEER FOR REVIEW AND COMMENT.

D. TRUSS MFR SHALL PROVIDE HANGERS AND CONNECTORS ADEQUATE FOR LOADS. ROOF CONNECTORS ARE BASED UPON SIMPSON "STRONG TIE" OR APPROVED EQUAL.

E. TRUSS CHORDS AND PARAPET VERTICALS SHALL BE 2x6 MIN (U.N.O.) AND CONSISTENTLY SIZED THROUGHOUT PROJECT.

F. REFER TO TRUSS ELEVATIONS FOR SHAPE, OVERHANG, SLOPES, SPAN, ETC. LOCATION OF BEARING POINTS ARE AS INDICATED ON THE DRAWINGS. SEE 2/S4.2

G. MFRD ROOF TRUSS DESIGN LOADS: SEE TRUSS DESIGN CRITERIA 3/S4.2

H. THE POSITIONS, WEIGHTS, AND METHODS OF ATTACHMENT OF ALL MECHANICAL UNITS, ELECT FIXTURES, PLUMBING, ETC. SHALL BE INCLUDED IN THE DESIGN OF THE TRUSSES BY THE TRUSS MFR.

I. DESIGN ROOF TRUSSES TO SUPPORT ALL IMPOSED LOADS, INCLUDING WIND & LATERAL LOADS. COORDINATE SIZE, LOCATION AND WEIGHT OF EQUIPMENT WITH MECHANICAL WORK. PROVIDE MULTIPLE TRUSSES WHERE ONE TRUSS CANNOT SUPPORT THE LOAD. PROVIDE BRIDGING BETWEEN TRUSSES AS SPECIFIED AS MINIMUM STANDARD.

J. INSTALLATION OF ALL TRUSSES SHALL BE DONE USING A SPREADER BAR WITH A THREE POINT VERTICAL PICK. CARE SHALL BE USED IN LIFTING TO PREVENT HORIZONTAL BENDING.

K. IMPROPER HANDLING OF THE TRUSSES AS NOTED ABOVE AND IN THE SPECS SHALL MEAN REMOVAL OF THE TRUSSES FROM THE JOBSITE AND REPLACEMENT AT CONTRACTOR'S EXPENSE.

L. SEE DIV. 6 OF THE SPECS FOR DETAILS ON TRUSS MANUFACTURING AND NAILING.

DELEGATED DESIGN NOTE:

ALL DEFERRED SUBMITTALS SHALL CONTAIN SHOP DRAWING PLANS AND DESIGN CALCULATIONS SIGNED AND SEALED BY A PROFESSIONAL ENGINEER REGISTERED OTHER THAN THE ENGINEER OF RECORD IN THE STATE OF KENTUCKY. THE DEFERRED SUBMITTALS SHALL BE SUBMITTED TO ENGINEER OF RECORD FOR REVIEW OF GENERAL CONFORMANCE WITH THE BUILDING DESIGN PRIOR TO CONSTRUCTION, FABRICATION, AND/OR ORDERING OF MATERIALS. ENGINEER OF RECORD APPROVED DEFERRED SUBMITTALS SHALL BE REVIEWED AND APPROVED BY THE LOCAL BUILDING OFFICIALS PRIOR TO INSTALLATION. THE FOLLOWING ITEMS SHALL BE SUBMITTED PER THIS SECTION (REFER TO PLANS FOR ADDITIONAL INFORMATION):

- AWNING & CANOPY
- MANUFACTURED WOOD ROOF TRUSSES
- SHORING

- (01) STARTING POINT OF TRUSS LAYOUT.
- (02) VERIFY NECESSITY OF DOUBLE TRUSSES WITH TRUSS MFR. DUE TO POINT LOADING AND ADDITIONAL UNIFORM LOADING, TYPICAL.
- (03) COORDINATE BLOCKING WITH EXHAUST AND SUPPLY DUCT.
- (04) CONT 2x4 WD BRIDGING ON TOP OF BOTTOM CHORD. ADJUST AS REQUIRED FOR DUCT PLENUMS. MAX SPACING AT 7'-0" O.C. OR TIGHTER SPACING AS REQUIRED BY TRUSS DESIGN. SEE 8 & 9/S4.1 FOR BRIDGING LAP DETAIL.
- (05) SIMPSON MSTA 24 AT CORNER DBL TOP PLATE. CENTER STRAP ON CORNER.
- (06) (2) 2x6 BLOCKING W/ U26-2 HANGERS. TYP. AT EDGES OF ALL ROOF TOP EQUIPMENT AND ALL ROOF OPENINGS - SEE DET. 6 & 10/S4.2
- (07) LOC. OF HOOD. SEE HOOD DRAWINGS FOR HOOD ATTACHMENT DETAIL 13/S4.1.
- (08) (2) 2x6 LEDGER REF. 6/S4.1.
- (09) DIMENSION IS FROM INSIDE FACE OF WALL FRAMING.
- (10) HVAC ROOF OPENING FOR DUCT. VERIFY SIZE WITH HVAC MFR. & MECHANICAL DWGS.
- (11) (2) 2x6 BUILT-UP COLUMN AT TRUSS BEARING, TYP. AT GIRDER. TRUSS ONLY. REF. DETAIL 12/S4.2.
- (12) CANOPY-SEE ARCH. DWGS.
- (13) NOT USED.
- (14) 2x6 @ 16" O.C. WITH SIMPSON LUS26 HANGER EA. END.
- (15) PLYWOOD ROOF SHEATHING. SEE NAILING SCHEDULE, THIS SHEET.
- (16) HATCH DENOTES LOCATION OF KICKERS. SEE 1/S4.4 FOR ADDITIONAL INFORMATION REGARDING KICKERS.
- (17) INTERIOR SHEAR WALL BELOW. ALIGN DINING SIDE OF WALL WITH SIDE OF TRUSS. SEE DTL. 2/S4.4.
- (18) DRAG TRUSS AT INTERIOR SHEAR WALL. PROVIDE DOUBLE TRUSS. DESIGN DRAG TRUSS FOR 521 PLF (ASD, 0.6"W) ALONG TOP CHORD OF TRUSS (14,630 LBS TOTAL). ATTACH ROOF SHEATHING TO DRAG TRUSS WITH 10d NAILS @ 3" O.C. ALONG ENTIRE LENGTH OF TRUSS.
- (19) SEE MECHANICAL DRAWINGS FOR SIZE OF SELECTED RTU OPTION.
- (20) 2x10 @ 16" O.C. WITH SIMPSON LUS26 HANGER EA. END. PROVIDE CONT. BLOCKING BETWEEN 2x6s AT MIDSPAN.
- (21) PORTION OF PARAPET IS ABOVE ROOF OF WALK-IN COOLER. SEE ELEVATION FOR DETAILS.
- (22) RTU LOCATION POINT.
- (23) (2) 2x6 BLOCKING W/ U26-2 HANGERS EACH END AT 24" O.C. BELOW KICKERS.
- (24) 2x6 BLOCKING AT BRACES. SEE 1 & 4/S4.1

ROOF NAILING SCHEDULE

ROOF FRAMING NOTES

ROOF FRAMING KEYNOTES

DATE	REMARKS
05.06.22	Issued for Bid

CONTRACT DATE: 10.06.21
BUILDING TYPE: END. MED20
PLAN VERSION: MARCH 2021
BRAND DESIGNER:
SITE NUMBER: 0
STORE NUMBER: 0
PA/PM: AB
DRAWN BY.: RB
JOB NO.: 2020188.06

TACO BELL

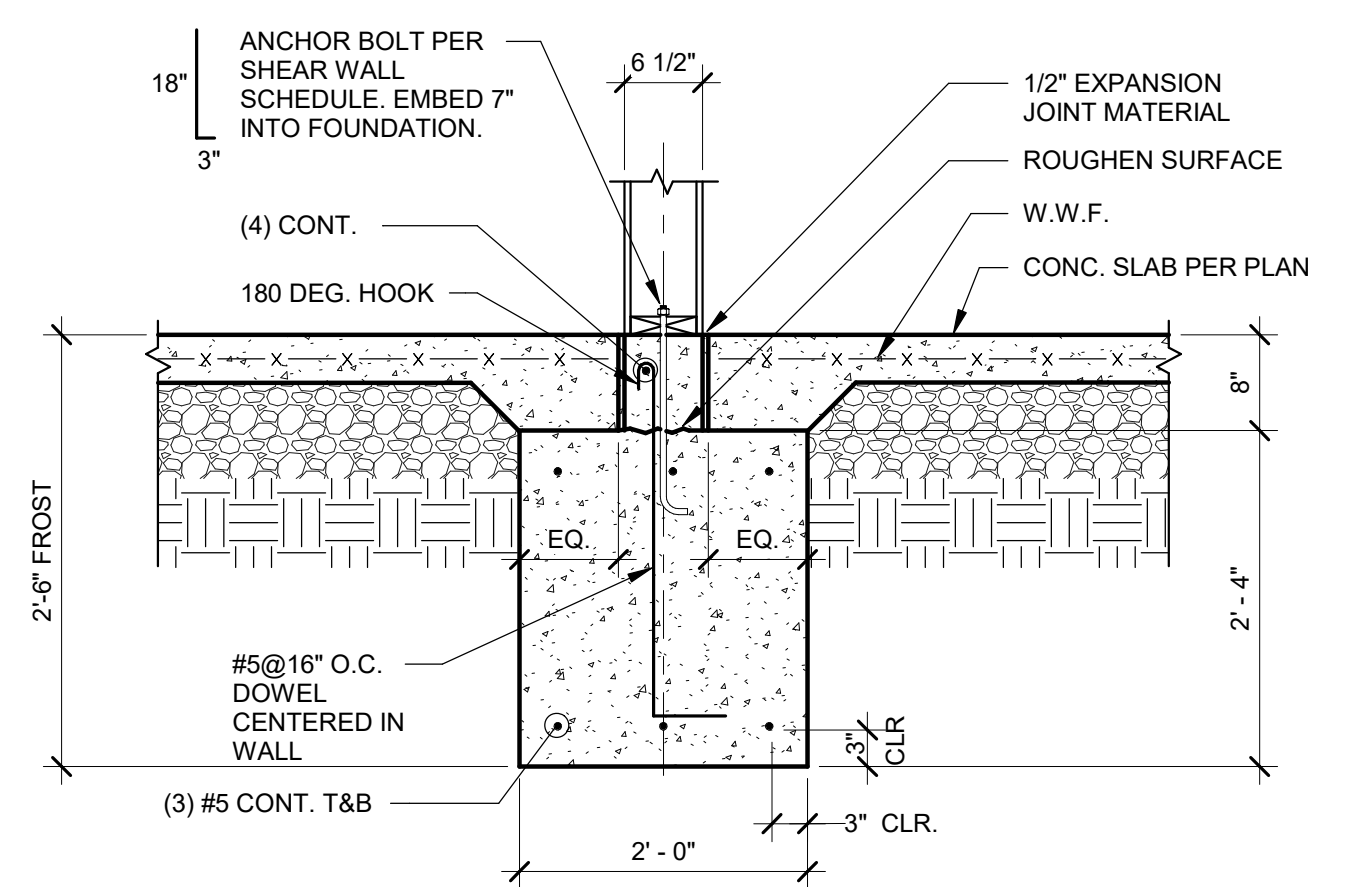
3039 Dixie Highway
Edgewood, KY 41017



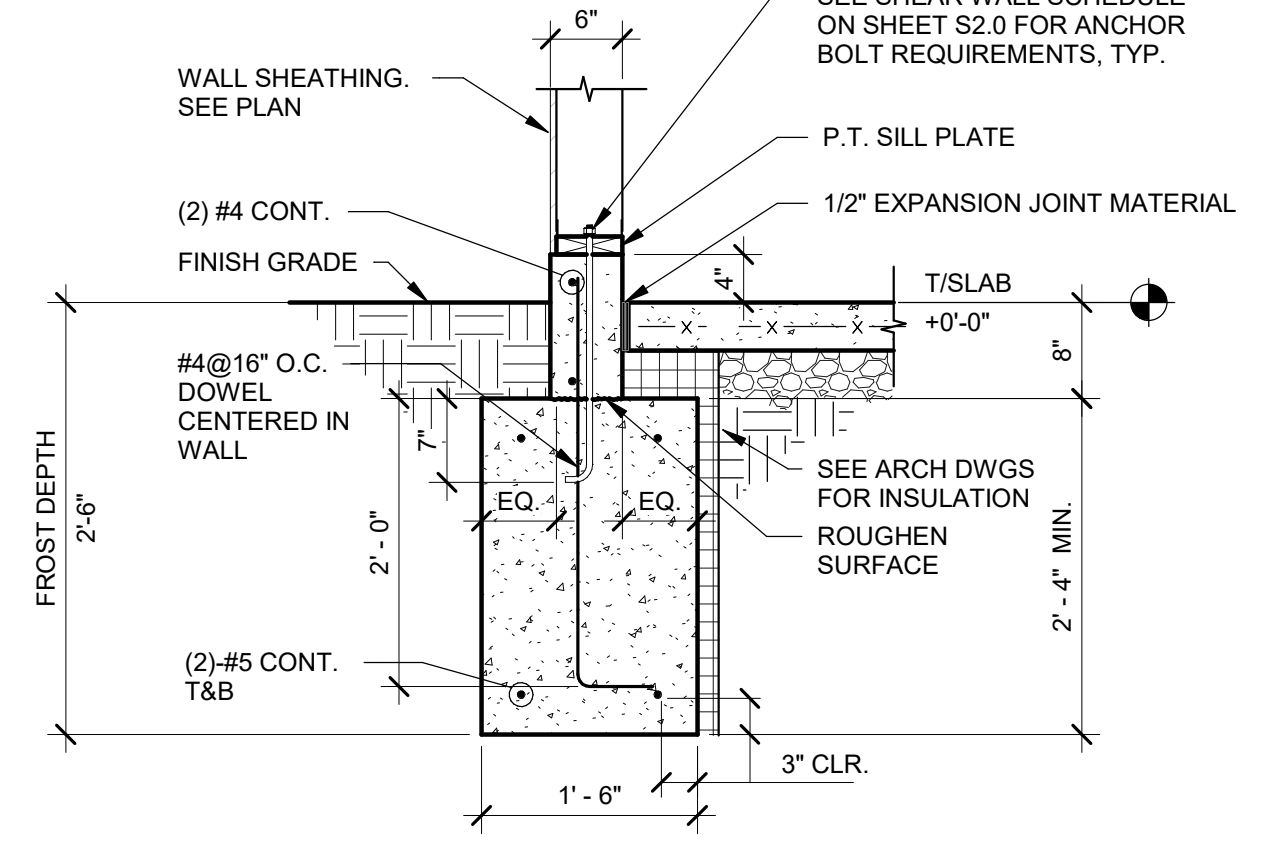
ENDEAVOR 2.0 ROOF FRAMING PLAN

S3.0

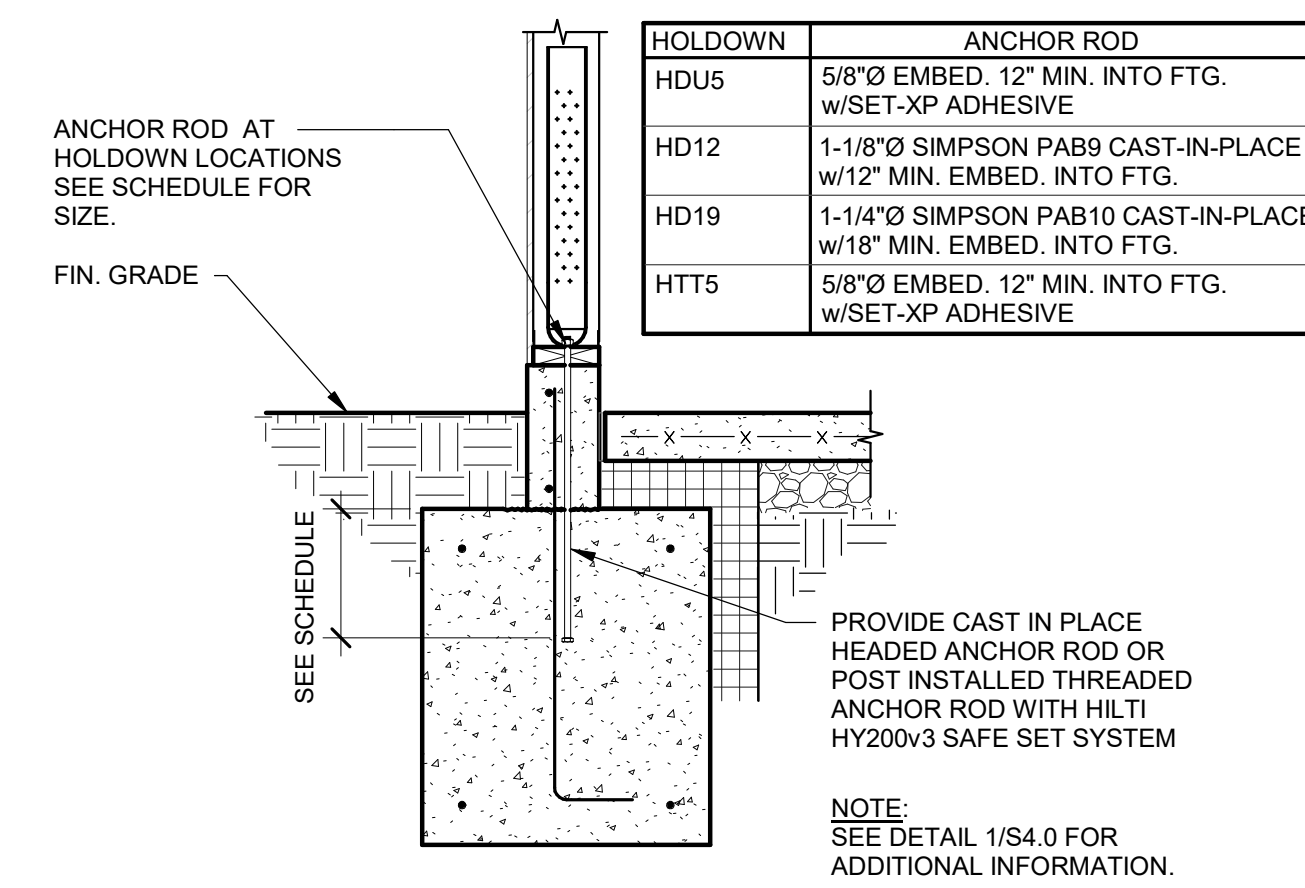
PLOT DATE: 5/5/2022 7:10:28 AM



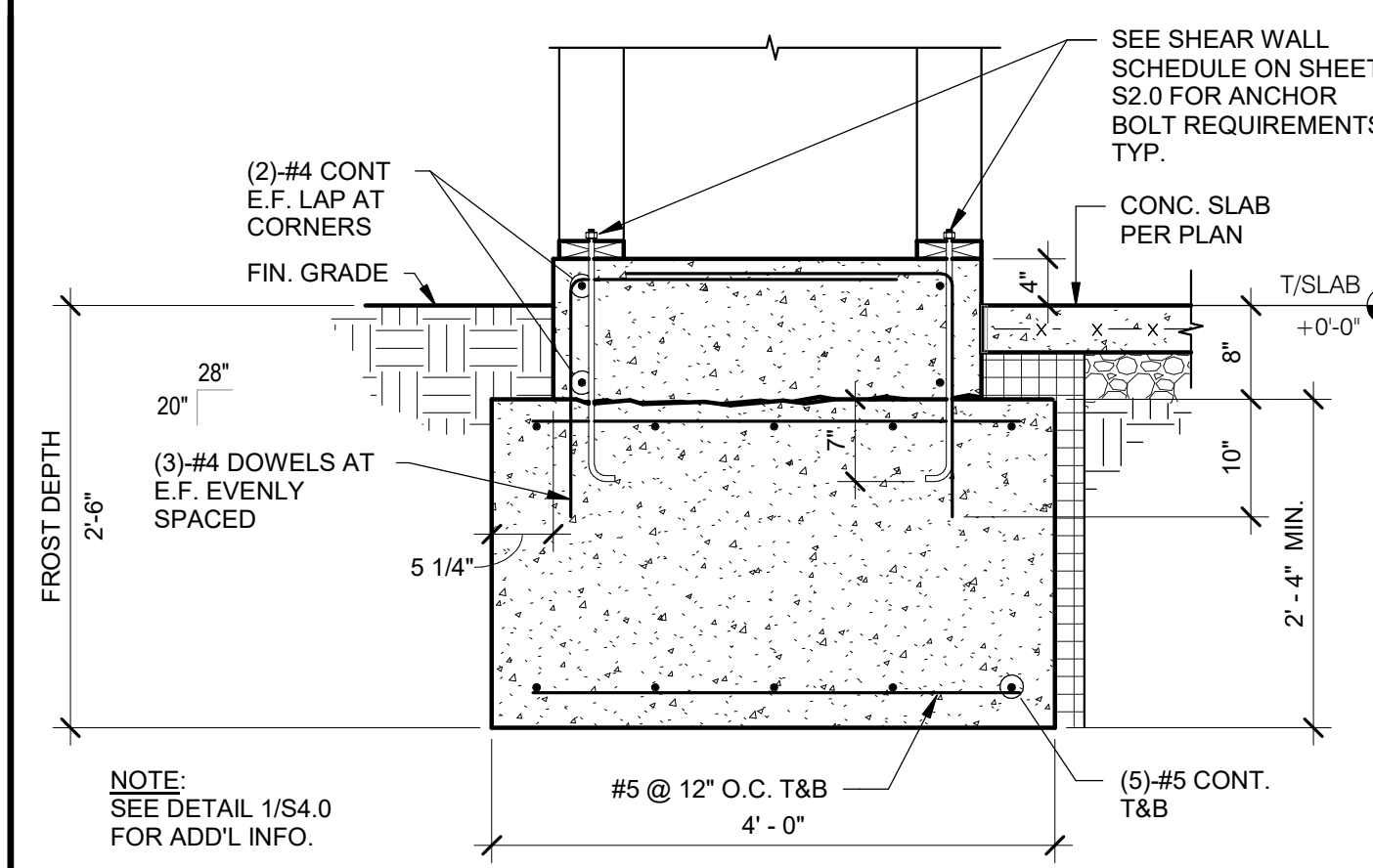
INTERIOR FOOTING AT COOLER 3/4" = 1'-0" **5**



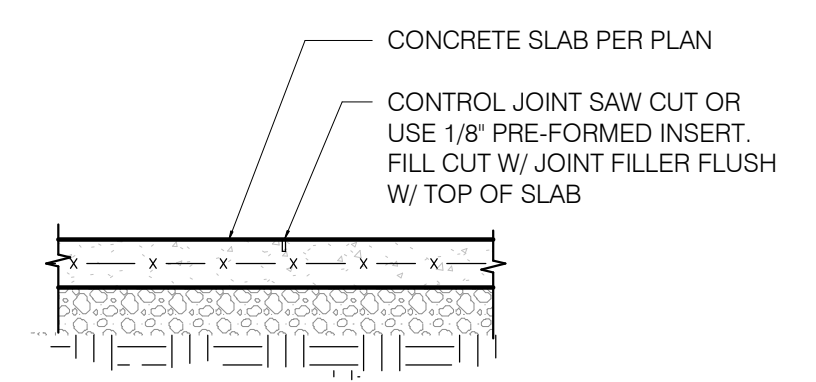
FOOTING AT SIDE AND REAR WALLS 3/4" = 1'-0" **1**



HOLDOWN DETAIL 3/4" = 1'-0" **6**

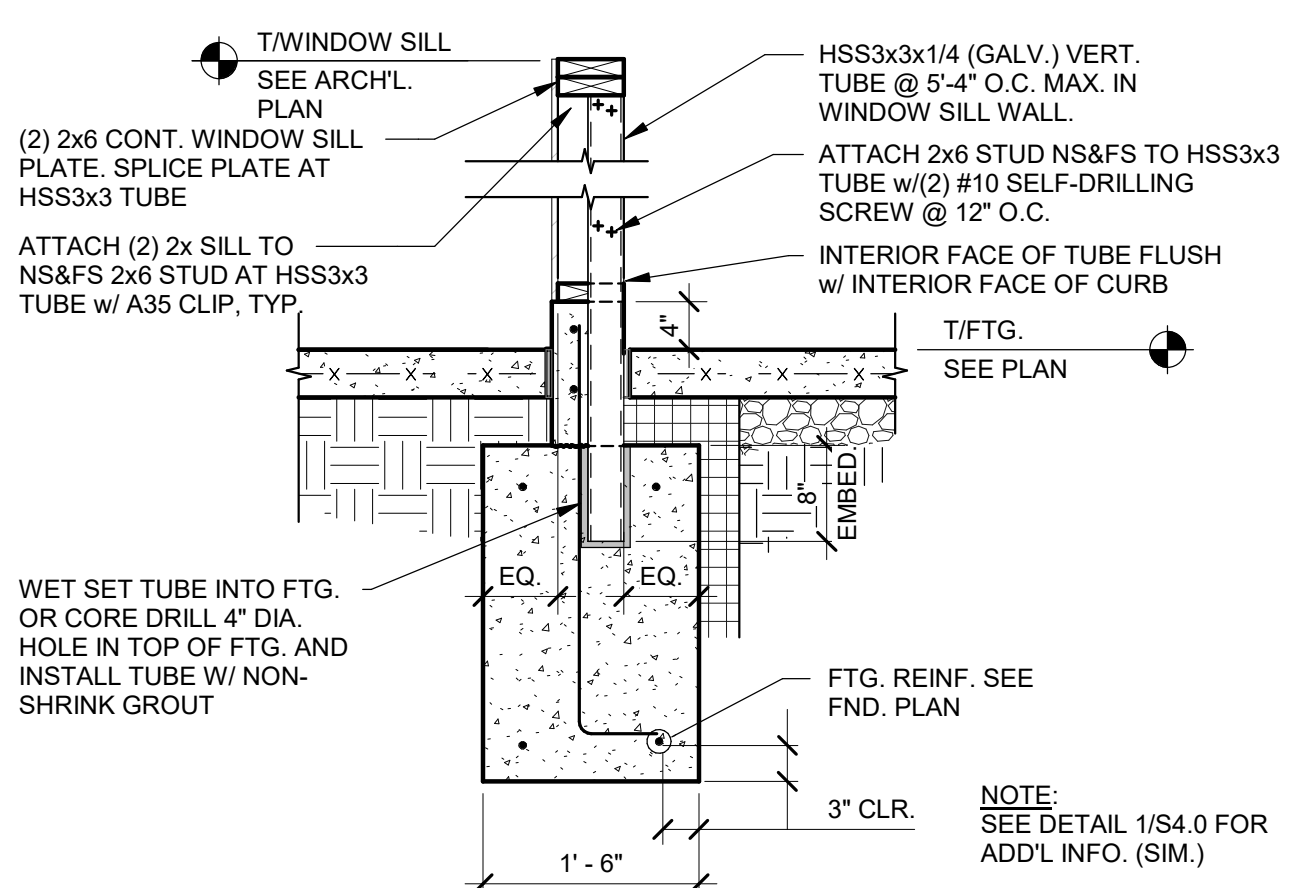


FOOTING AT ENTRY PILASTER 3/4" = 1'-0" **2**

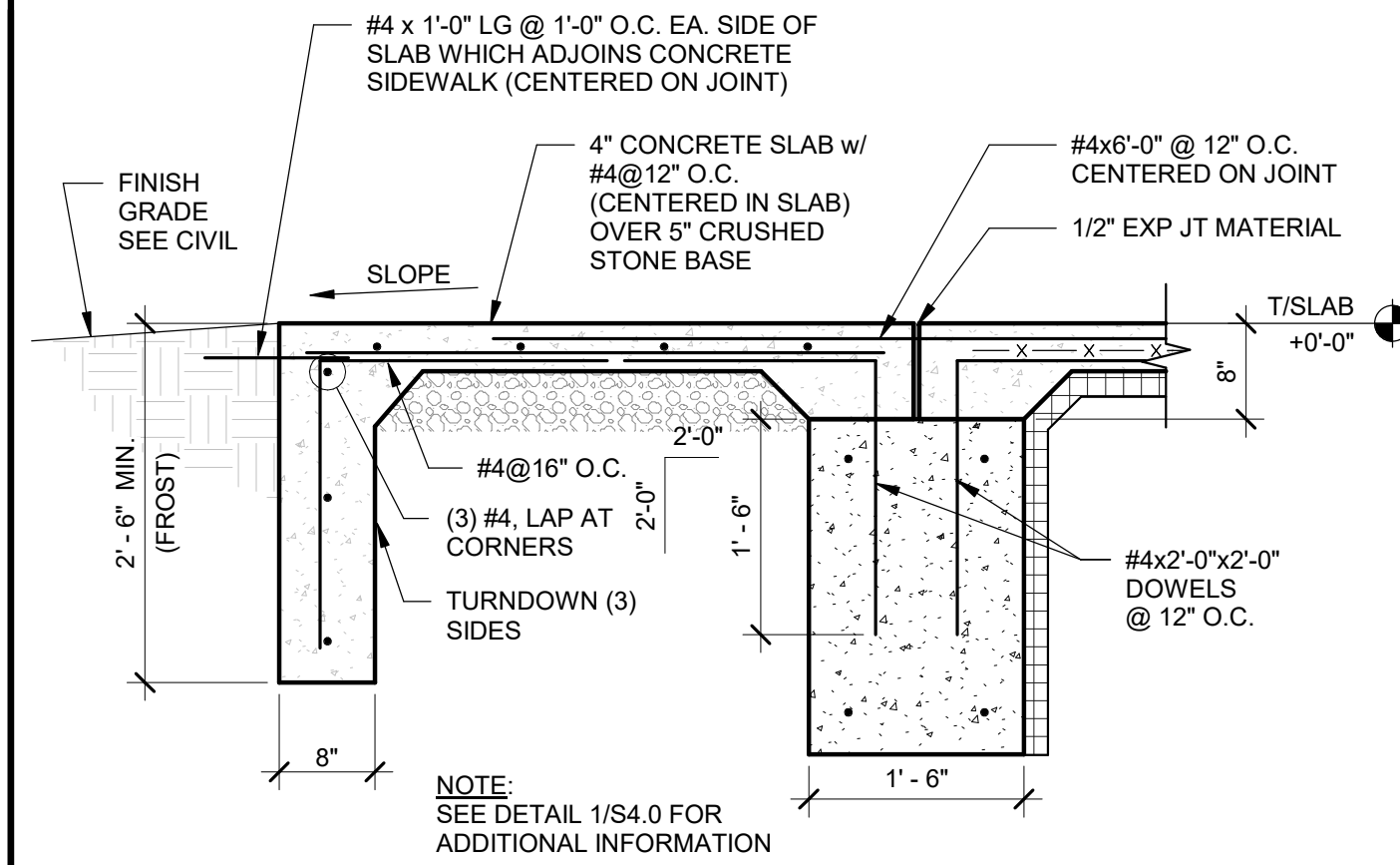


NOTES:
 * 12'-0" MAX. SPACING OF CONTROL JOINTS.
 * SAW CUT JOINT WITHIN 12 HOURS OF PLACING CONCRETE

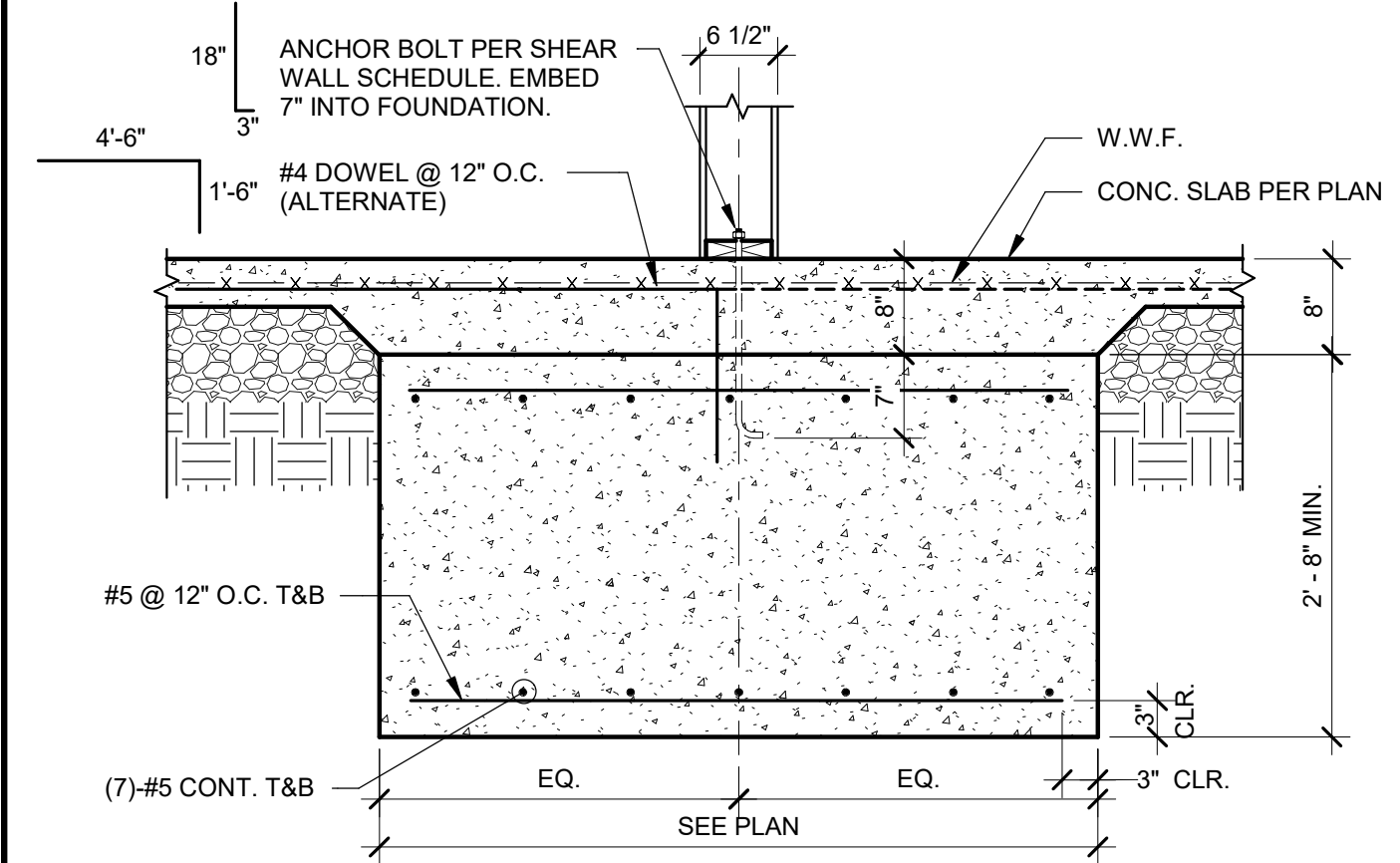
TYP. SLAB JOINT DETAIL 3/4" = 1'-0" **11**



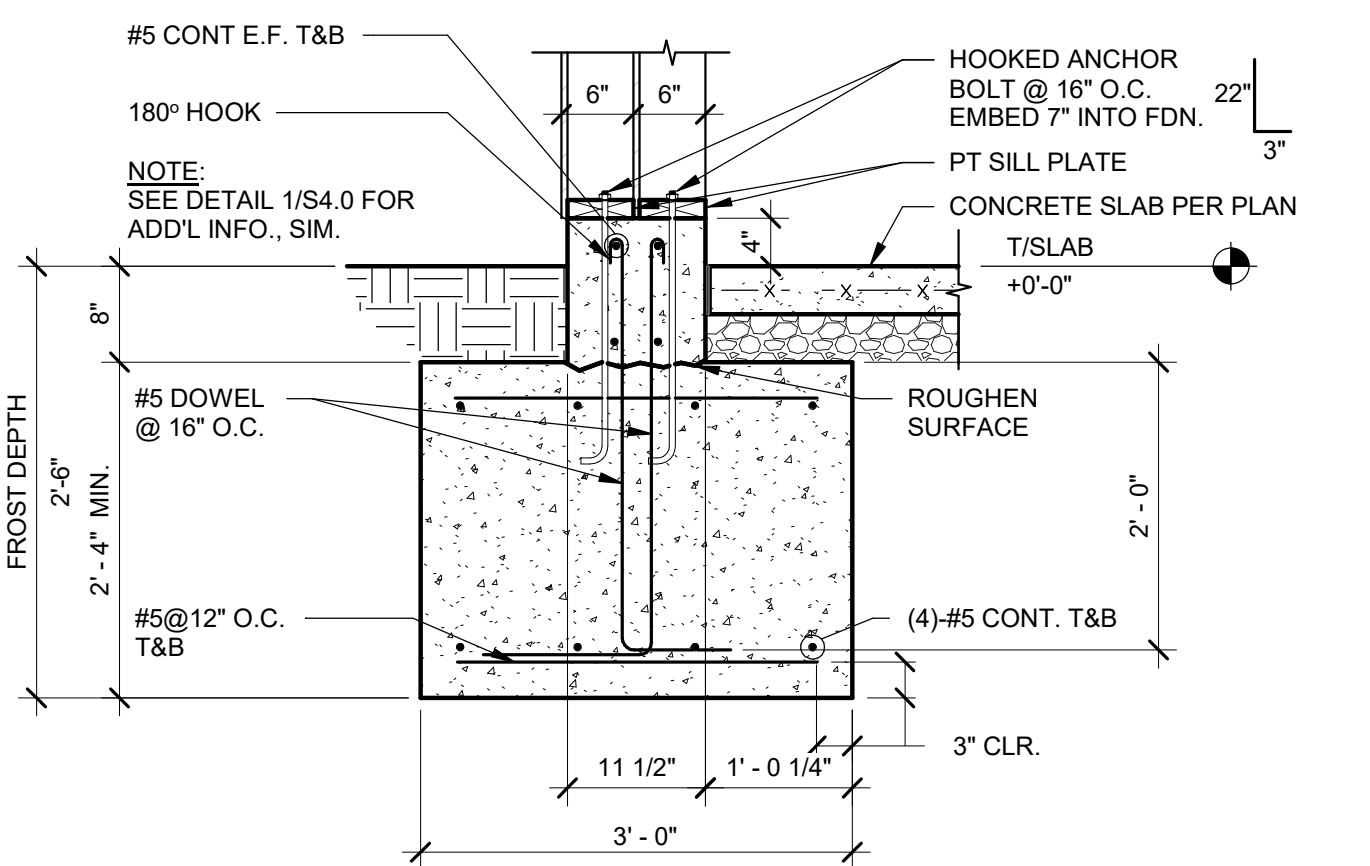
WINDOW SILL BRACING DETAIL 3/4" = 1'-0" **7**



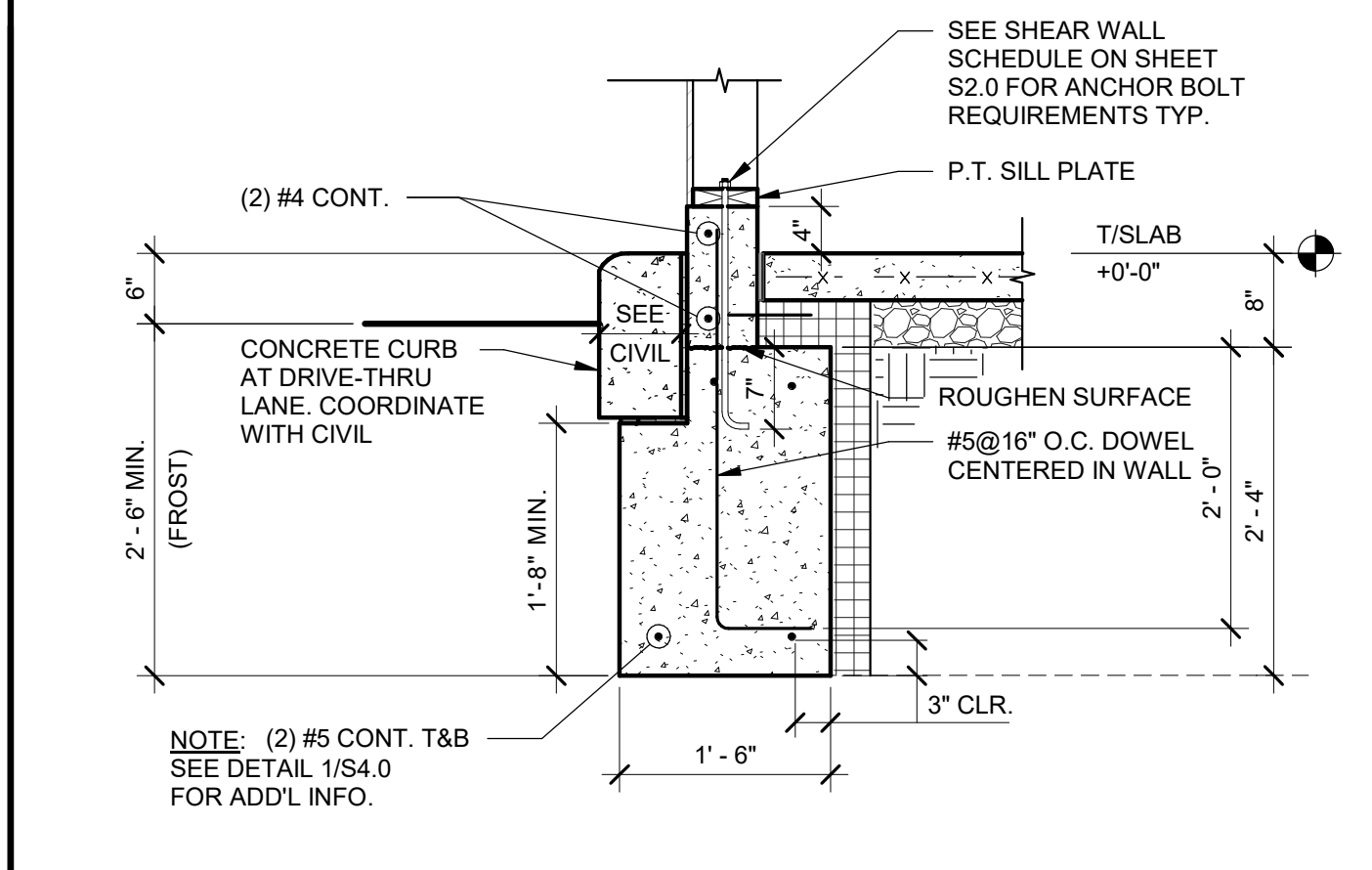
FOOTING AT FULL HEIGHT OPENING 3/4" = 1'-0" **3**



FOOTING AT INTERIOR SHEARWALL 3/4" = 1'-0" **12**



SECTION AT TOWER LEG 3/4" = 1'-0" **8**



FOOTING AT DRIVE THRU 3/4" = 1'-0" **4**

DATE	REMARKS
05.06.22	Issued for Bid

CONTRACT DATE: 10.06.21
 BUILDING TYPE: END. MED20
 PLAN VERSION: MARCH 2021
 BRAND DESIGNER:
 SITE NUMBER: 0
 STORE NUMBER: 0
 PA/PM: AB
 DRAWN BY.: RB
 JOB NO.: 2020188.06

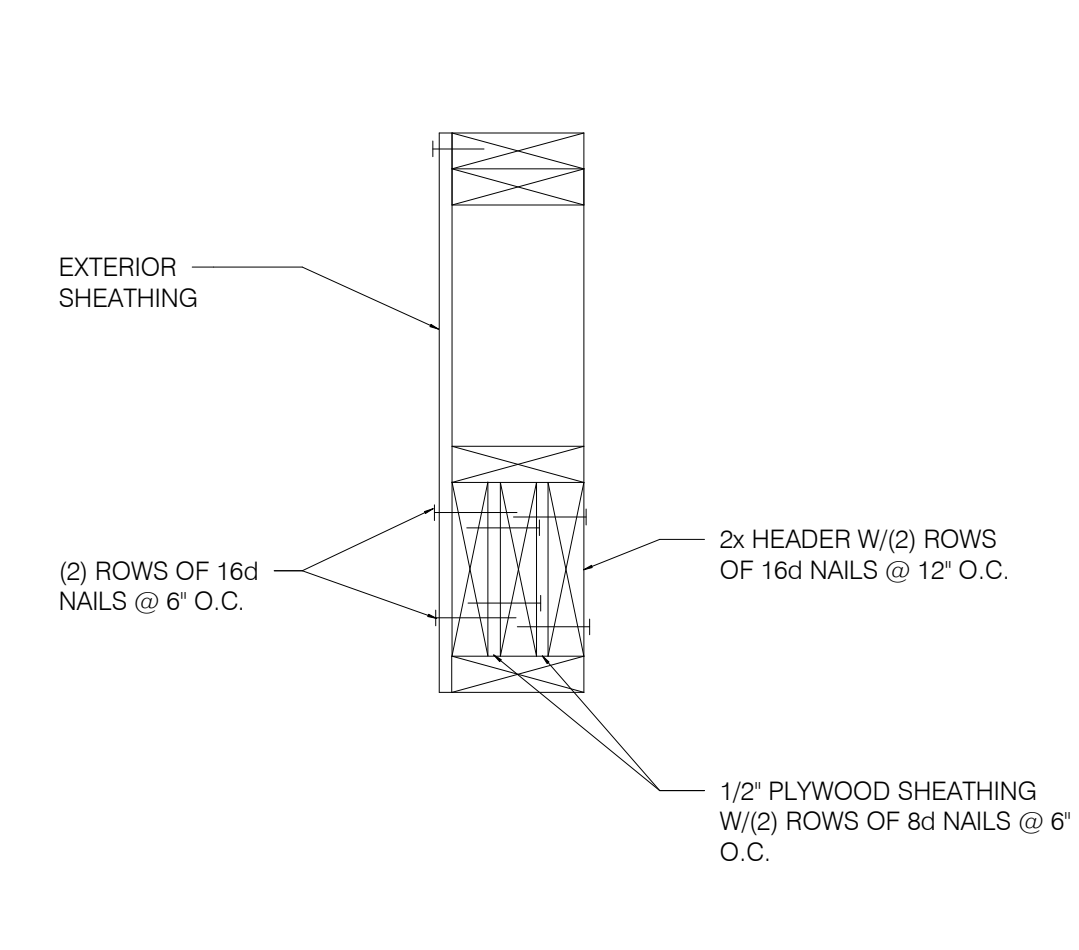
TACO BELL
 3039 Dixie Highway
 Edgewood, KY 41017



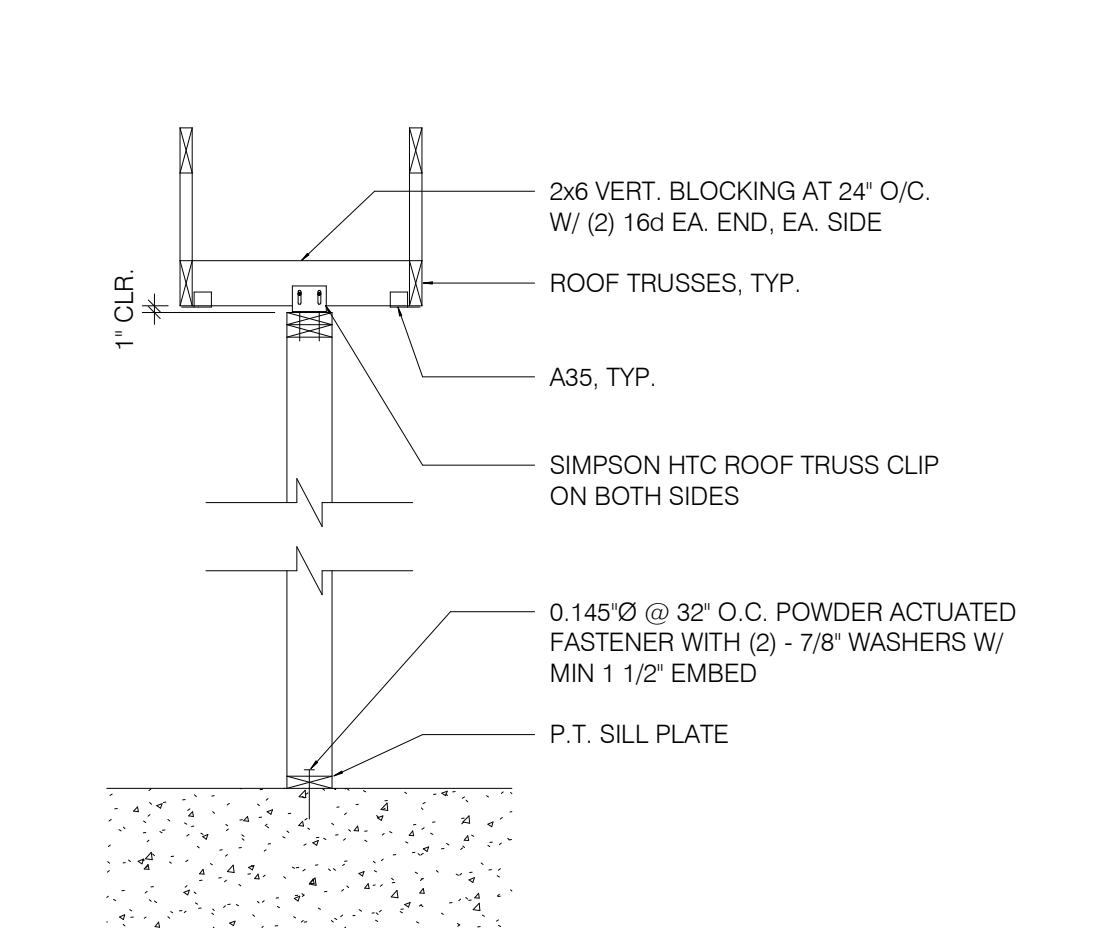
**ENDEAVOR 2.0
 STRUCTURAL
 DETAILS**

S4.0

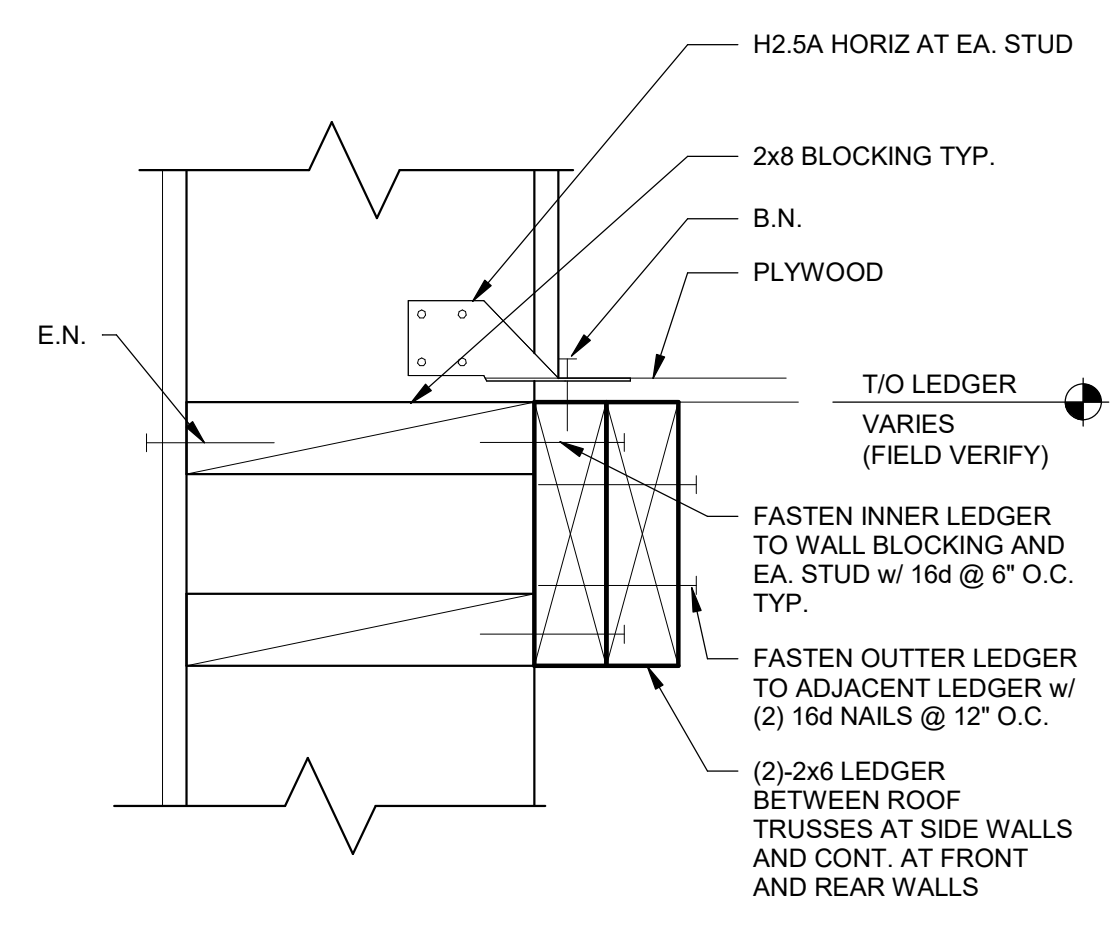
PLOT DATE: 5/5/2022 7:10:29 AM



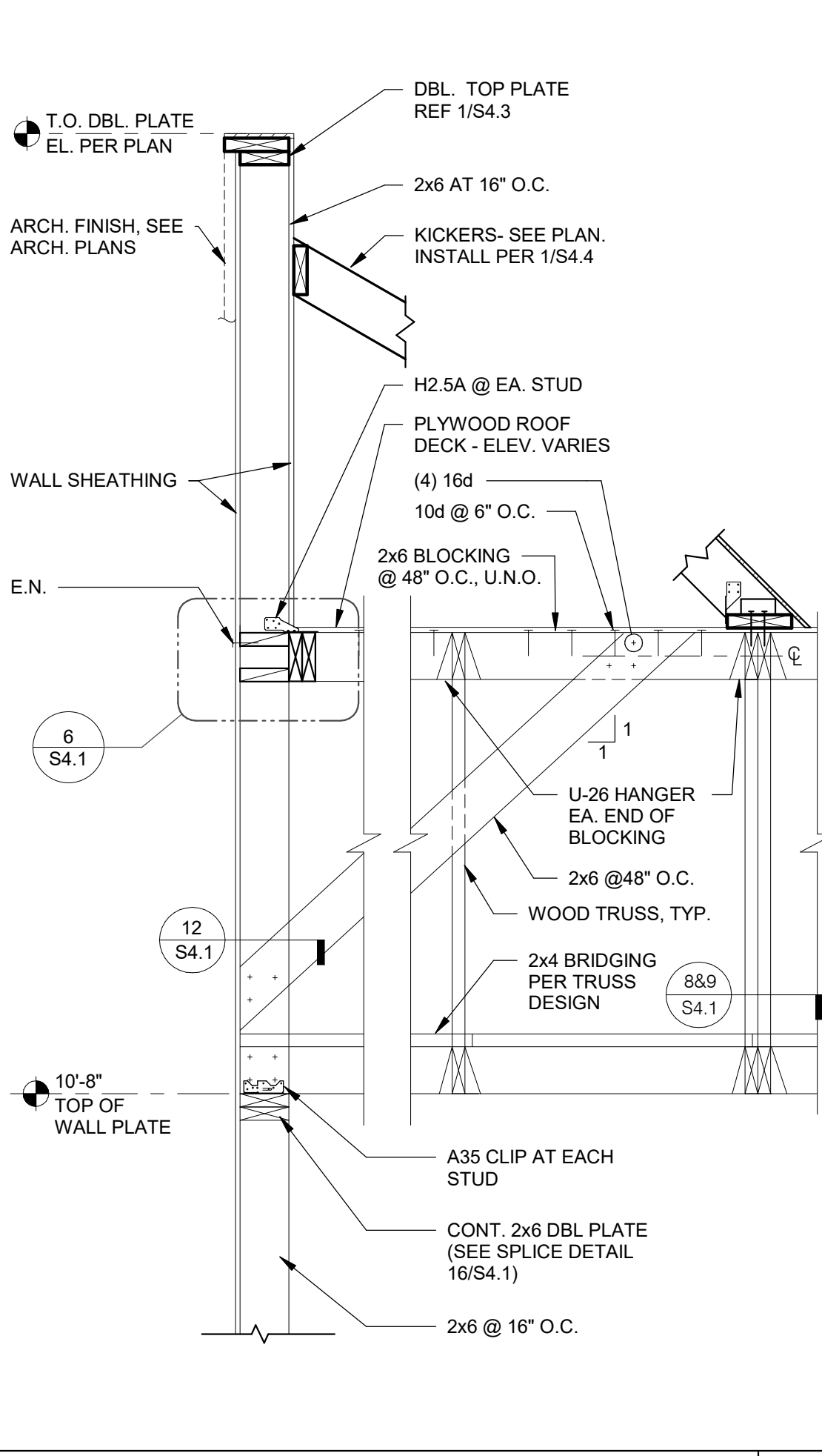
TYP. MULTIPLE HEADER 1-1/2" = 1'-0" **14**



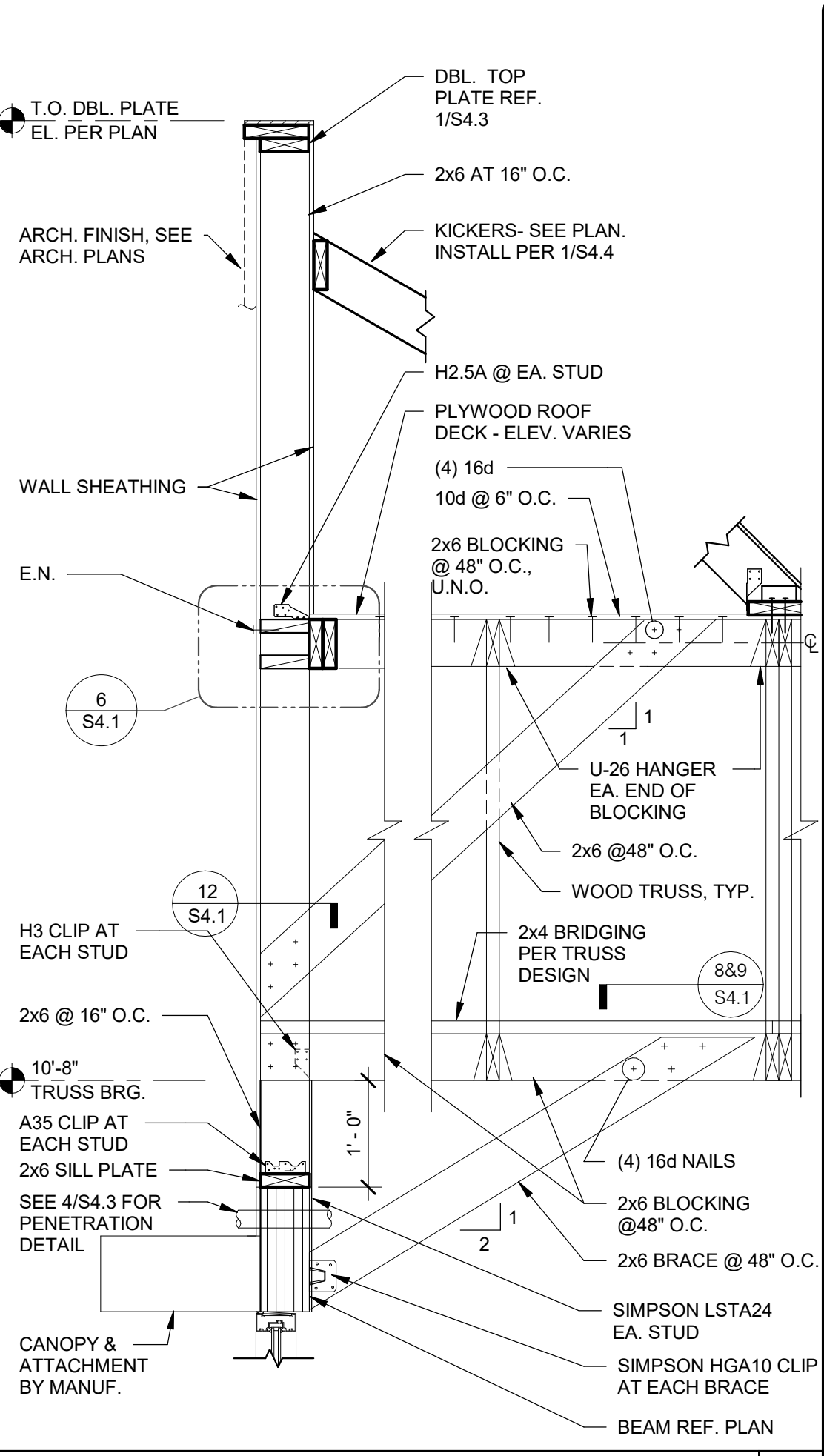
SUPPORT - PARALLEL TO TRUSS 1/2" = 1'-0" **10**



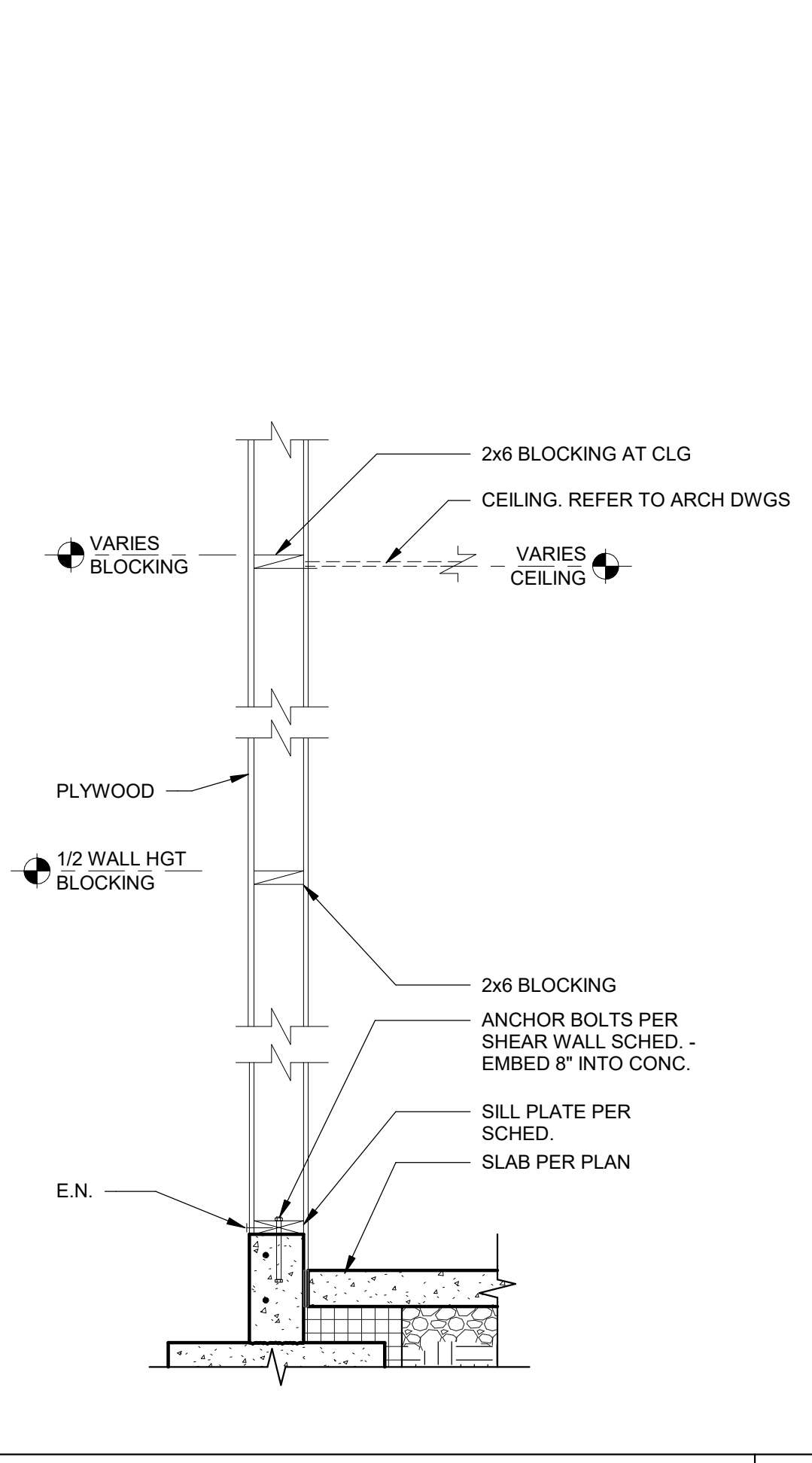
LEDGER DETAIL 3" = 1'-0" **6**



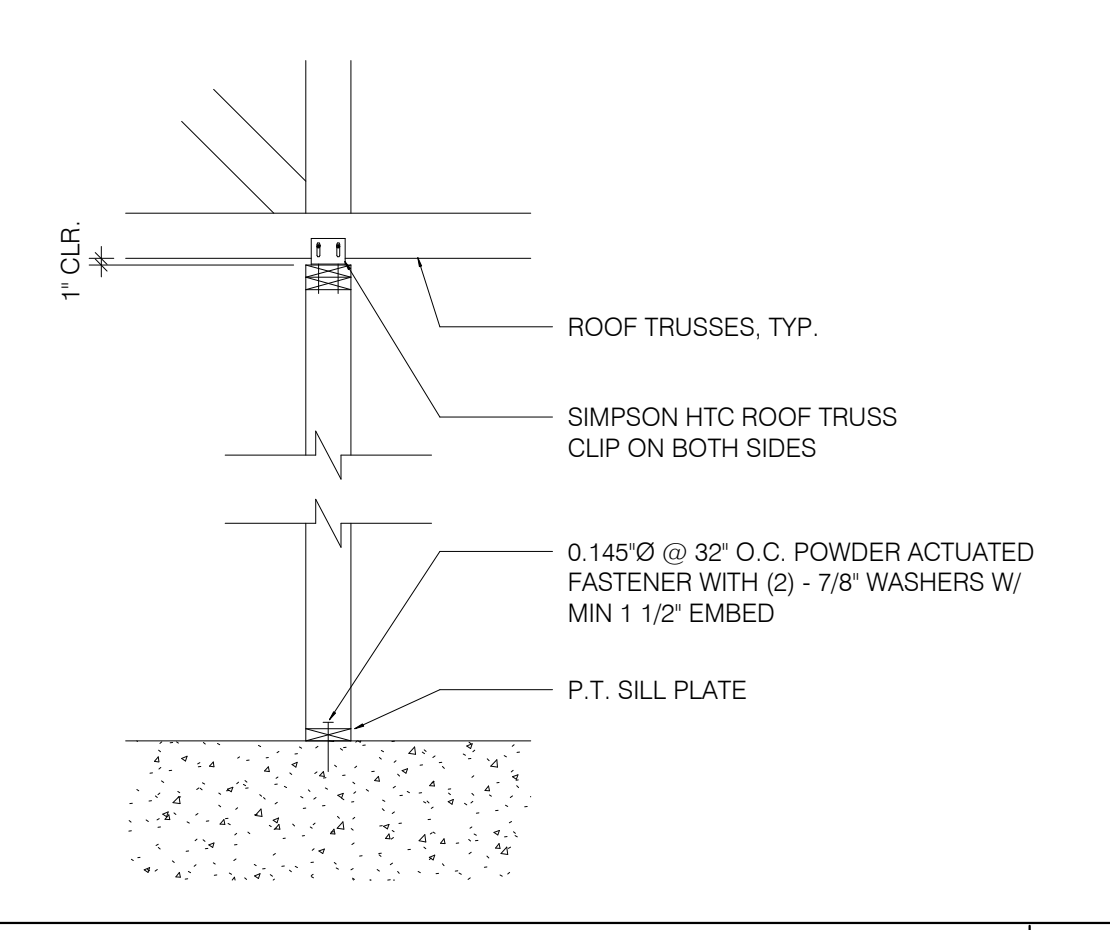
REAR WALL SECTION N.T.S. **4**



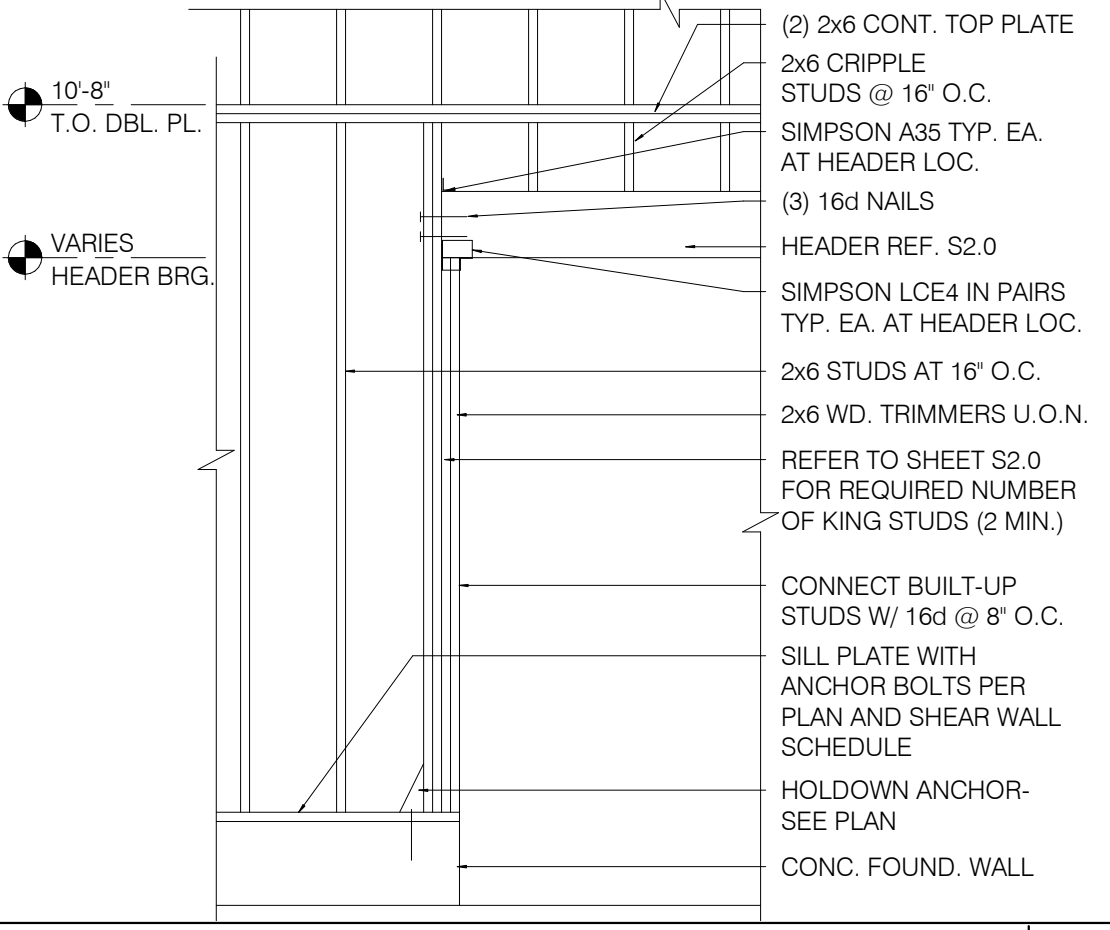
FRONT WALL SECTION N.T.S. **1**



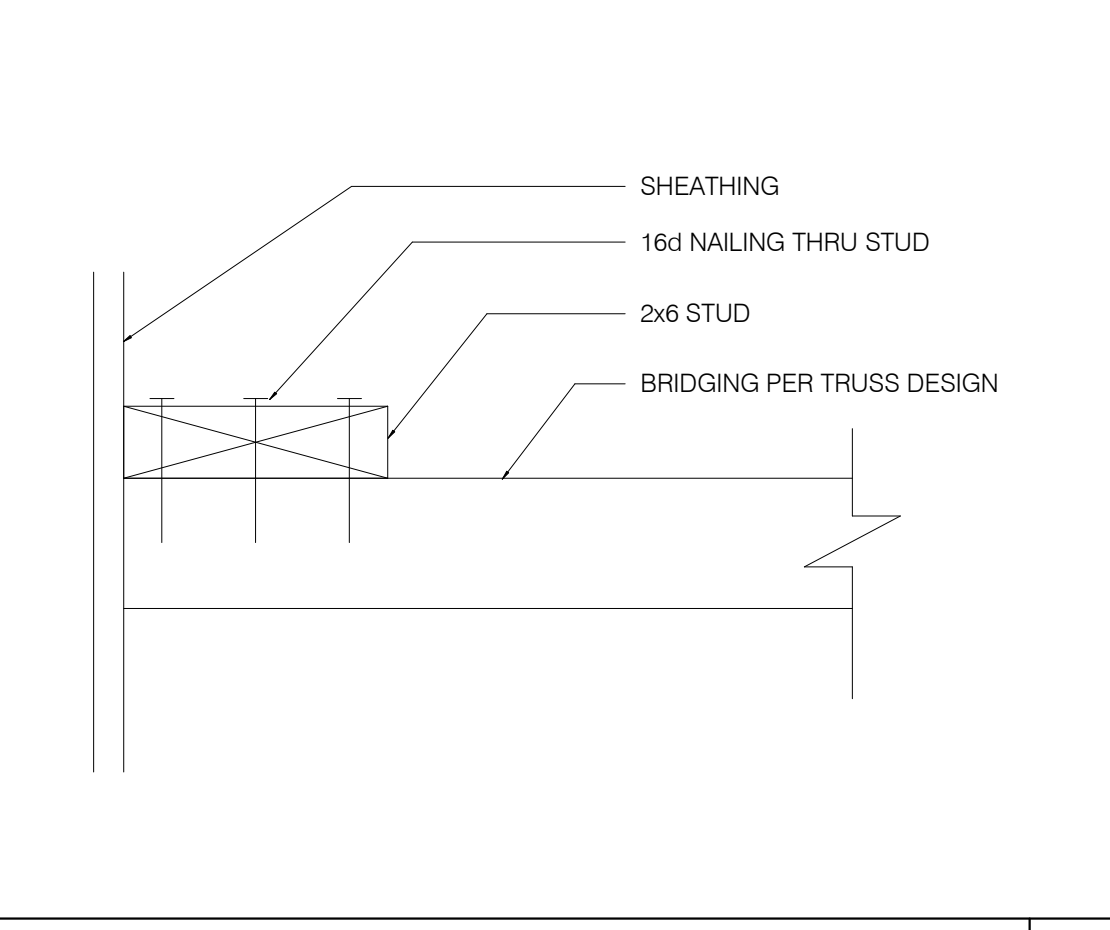
TYPICAL WALL BELOW TRUSS 3/4" = 1'-0" **15**



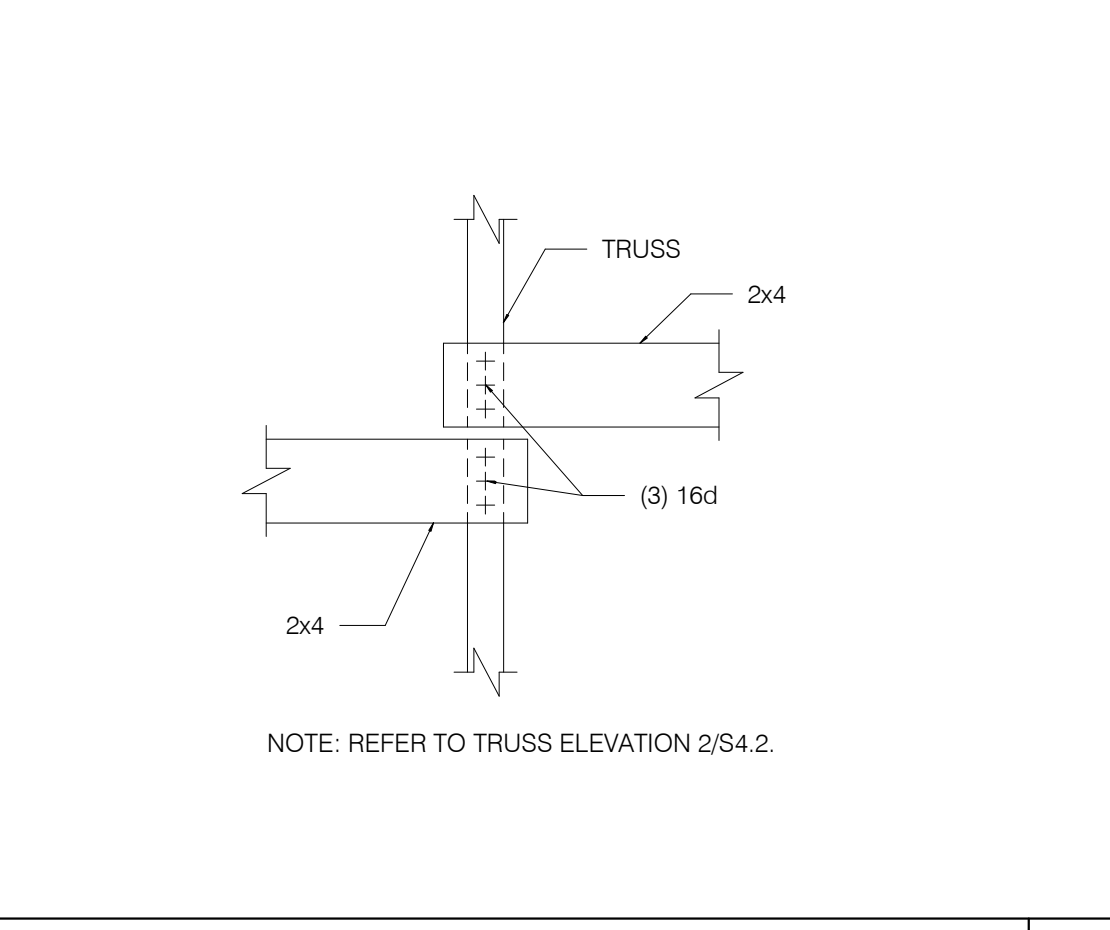
SUPPORT PERP. TO TRUSS 1/2" = 1'-0" **11**



FRAMING ELEVATION AT OPENING N.T.S. **7**



BRIDGING DETAIL 3" = 1'-0" **12**



BRIDGING LAP DETAIL 1/4" = 1'-0" **8**

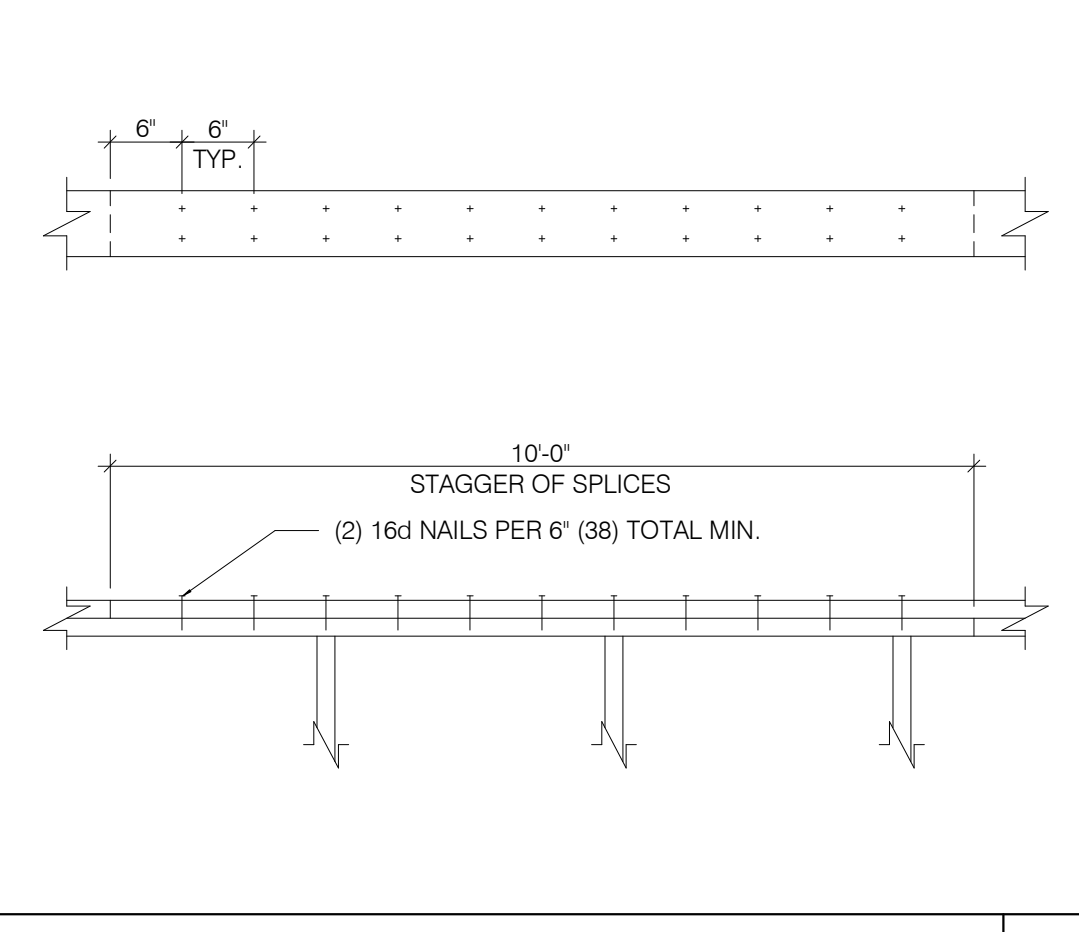
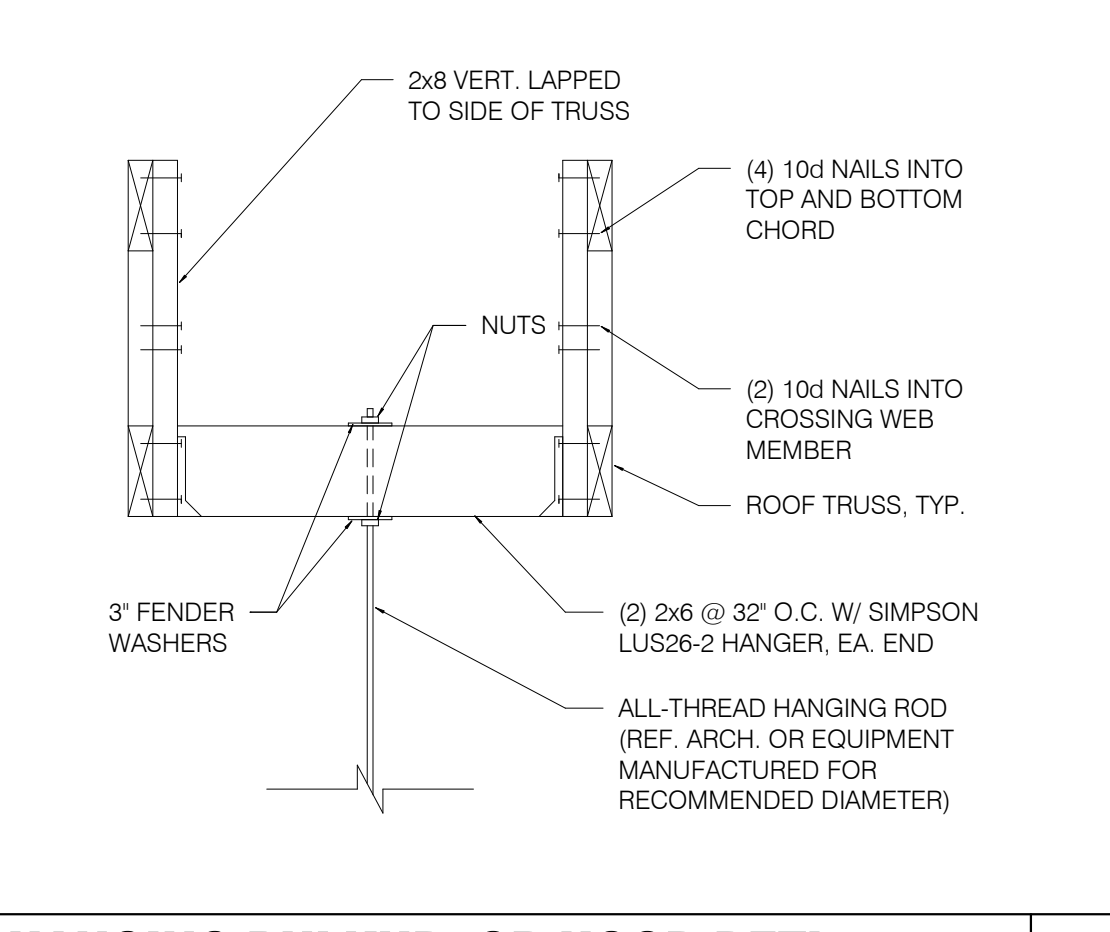
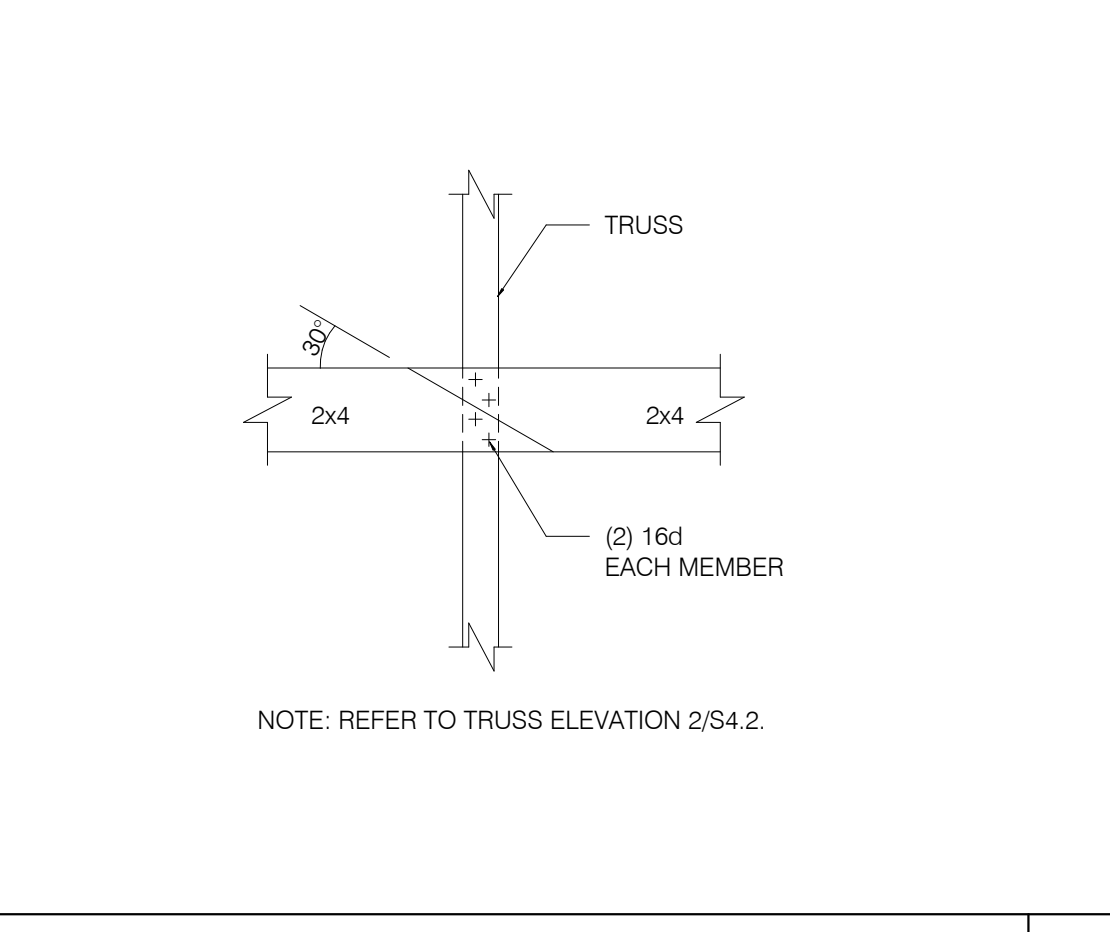


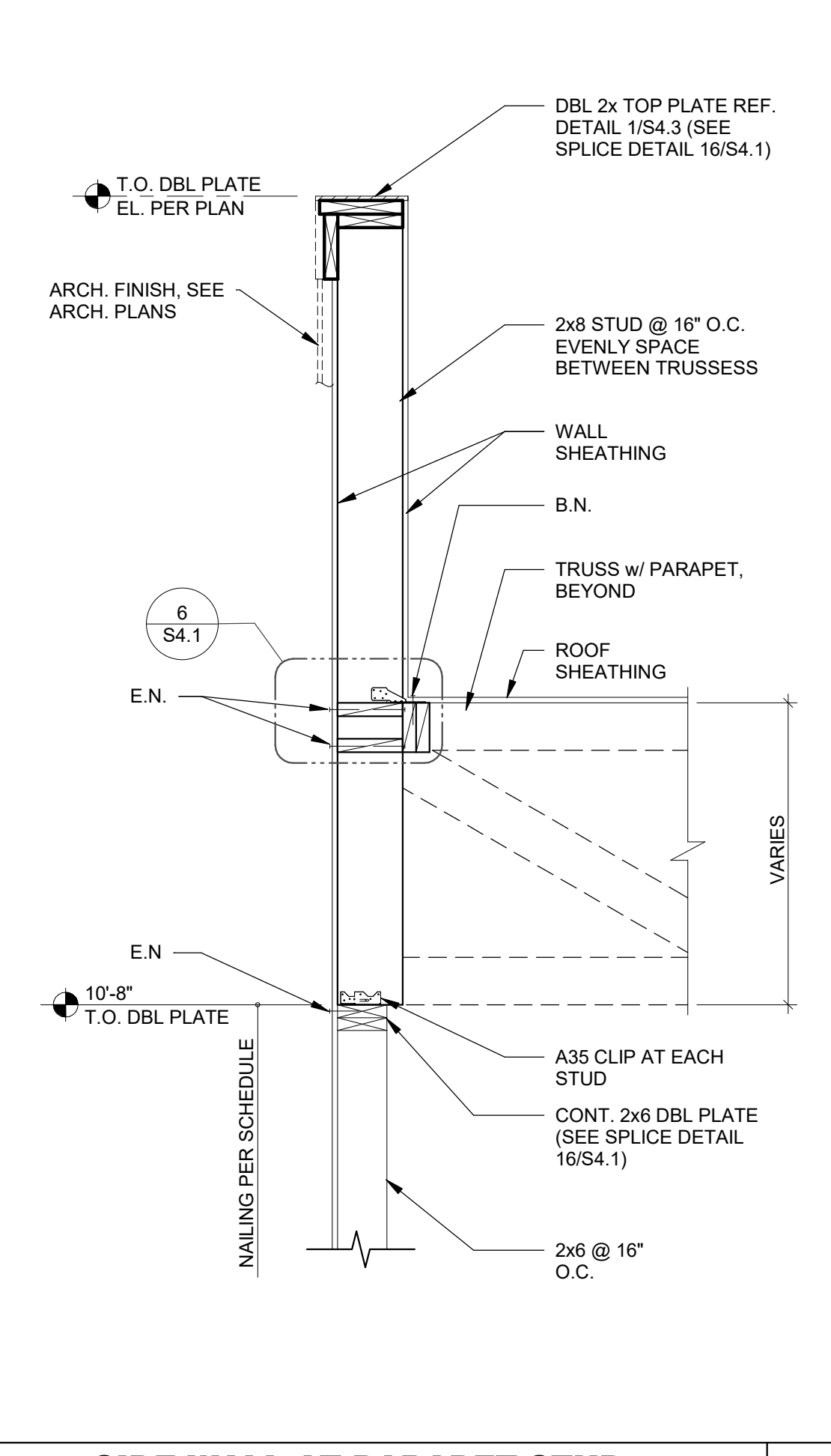
PLATE LAP DETAIL 1" = 1'-0" **16**



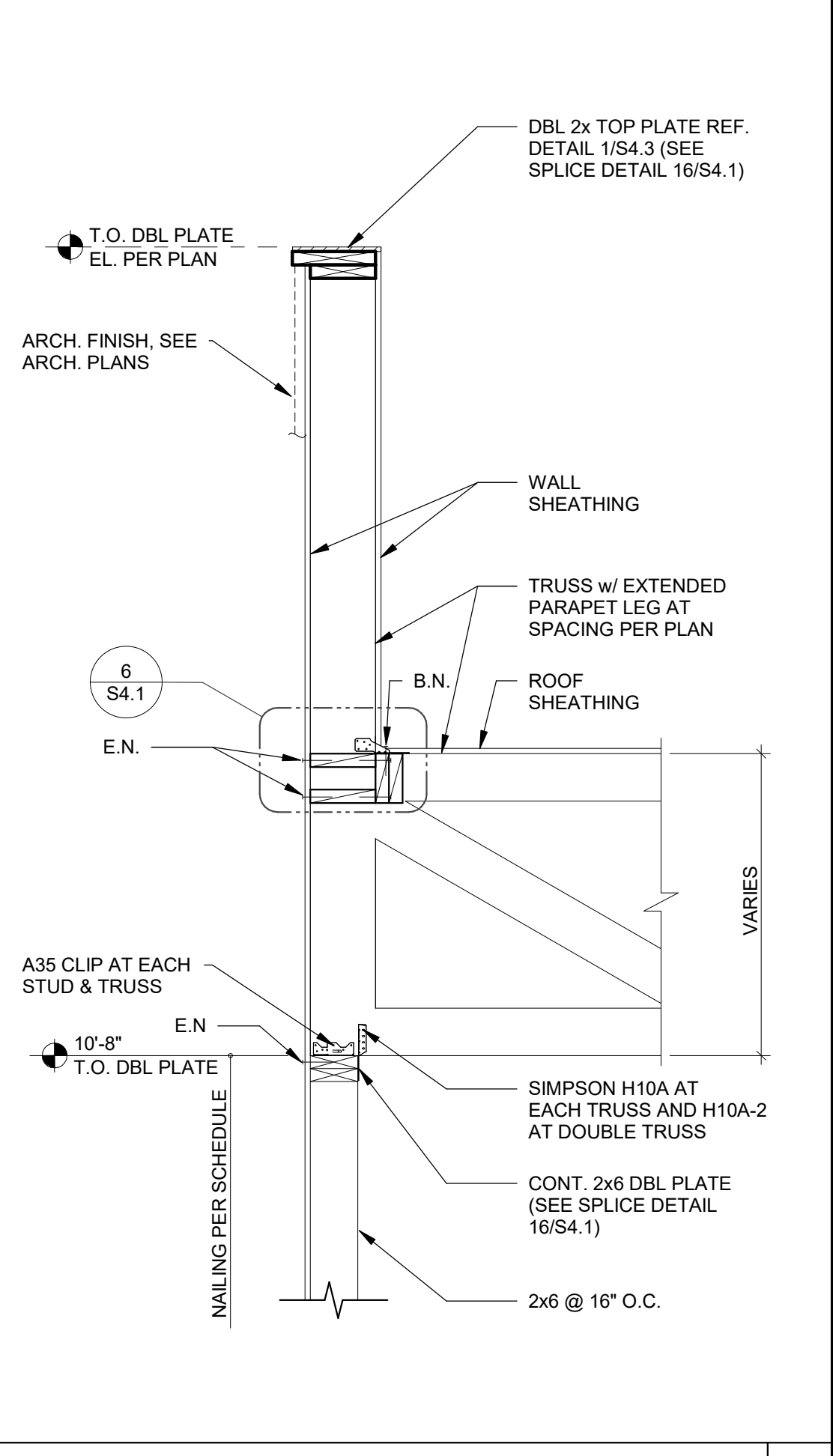
HANGING BULKHD. OR HOOD DETL. N.T.S. **13**



BRIDGING LAP DETAIL AT OPEN CLG. N.T.S. **9**



SIDE WALL AT PARAPET STUD 3/4" = 1'-0" **5**



SIDE WALL AT TRUSS N.T.S. **2**

DATE	REMARKS
05.06.22	Issued for Bid

CONTRACT DATE: 10.06.21
BUILDING TYPE: END, MED20
PLAN VERSION: MARCH 2021
BRAND DESIGNER:
SITE NUMBER: 0
STORE NUMBER: 0
PA/PM: AB
DRAWN BY.: RB
JOB NO.: 2020188.06

TACO BELL
3039 Dixie Highway
Edgewood, KY 41017



ENDEAVOR 2.0
STRUCTURAL
DETAILS

S4.1

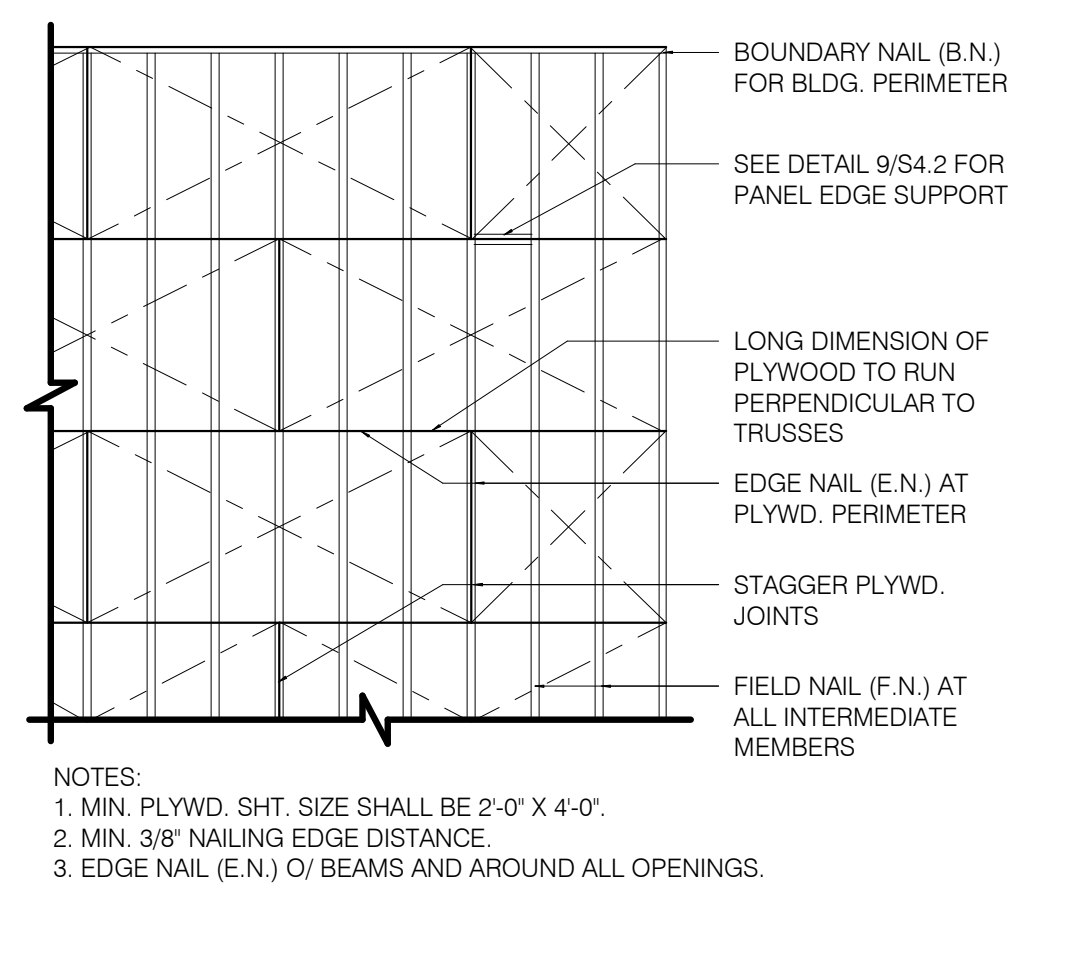


CONNECTION:

1. JOIST TO SILL OR GIRDER, TOENAIL (2-8d)
2. BRIDGING TO JOIST, TOENAIL EACH END (2-8d)
3. 1"x6" (25MMx152MM) SUBFLOOR OR LESS TO JOIST, FACE NAIL (2-8d)
4. WIDER THAN 1" x 6" (25MMx152MM) SUBFLOOR TO JOIST, FACE NAIL (3-8d)
5. 2" (52MM) SUBFLOOR TO GIRDER, BLIND AND FACE NAIL (2-16d)
6. SOLE PLATE TO JOIST OR BLOCKING, TYPICAL FACE NAIL (16d @ 16" O.C.)
7. SOLE PLATE TO JOIST OR BLOCKING, AT BRACED W. PANELS (3-16d PER 16")
8. TOP PLATE TO STUD, END NAIL (2-16d)
9. STUD TO SOLE PLATE (2-16d END NAIL)
10. DOUBLE STUDS, FACE NAIL (16d @ 16" O.C.)
11. DOUBLE TOP PLATES, TYPICAL FACE NAIL (16d @ 16" O.C.)
12. DOUBLE TOP PLATES, LAP SPLICE (8-16d)
13. BLOCKING BETWEEN JOISTS OR RAFTERS TO TOP PLATE, TOENAIL (3-8d)
14. RIM JOIST TO TOP PLATE, TOENAIL (8d @ 6" O.C.)
15. TOP PLATES, LAPS AND INTERSECTIONS, FACE NAIL (2-16d)
16. CONTINUOUS HEADER, TWO PIECES (16d @ 16" O.C. ALONG EDGE)
17. CEILING JOISTS TO PLATE, TOENAIL (3-8d)
18. CONTINUOUS HEADER TO STUD, TOENAIL (4-8d)
19. CEILING JOISTS, LAP OVER PARTITIONS, FACE NAIL (3-16d)
20. CEILING JOISTS TO PARALLEL RAFTERS, FACE NAIL (3-16d)
21. RAFTER TO PLATE, TOENAIL (3-8d)
22. 1" (25MM) BRACE TO EACH STUD AND PLATE, FACE NAIL (2-8d)
23. 1"x8" SHEATHING OR LESS TO EACH BEARING, FACE NAIL (2-8d)
24. WIDER THAN 1"x8" SHEATHING TO EACH BEARING, FACE NAIL (3-8d)
25. BUILT-UP CORNER STUDS (16d @ 24" O.C.)
26. 2" PLANKS (2-16d AT EACH SPACE)
27. 2x6 BOX BEAM / HEADER (12d @ 12" O.C.)
28. BUILT-UP GIRDER AND BEAMS (20d @ 32" O.C. AT TOP & BOTTOM AND STAGGERED 2-20d AT ENDS & AT EACH SPACE)

NAILING:

- (3-10d)
- (2-8d)
- (2-8d)
- (3-8d)
- (2-16d)
- (16d @ 16" O.C.)
- (3-16d PER 16")
- (2-16d)
- (2-16d END NAIL)
- (16d @ 16" O.C.)
- (16d @ 16" O.C.)
- (8-16d)
- (3-8d)
- (8d @ 6" O.C.)
- (2-16d)
- (16d @ 16" O.C. ALONG EDGE)
- (3-8d)
- (4-8d)
- (3-16d)
- (3-16d)
- (3-8d)
- (2-8d)
- (3-8d)
- (16d @ 24" O.C.)
- (2-16d AT EACH SPACE)
- (12d @ 12" O.C.)
- (20d @ 32" O.C. AT TOP & BOTTOM AND STAGGERED 2-20d AT ENDS & AT EACH SPACE)

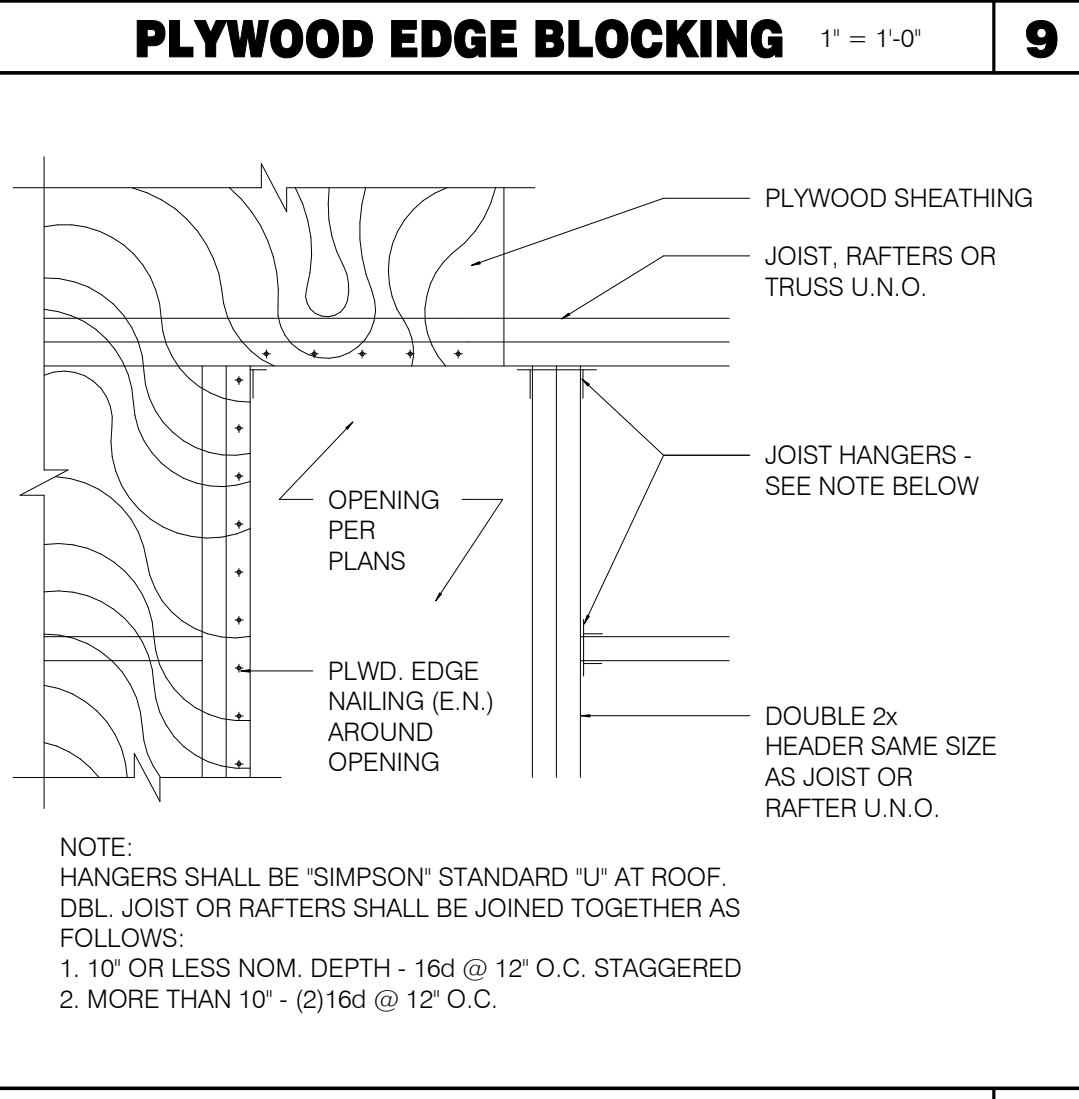
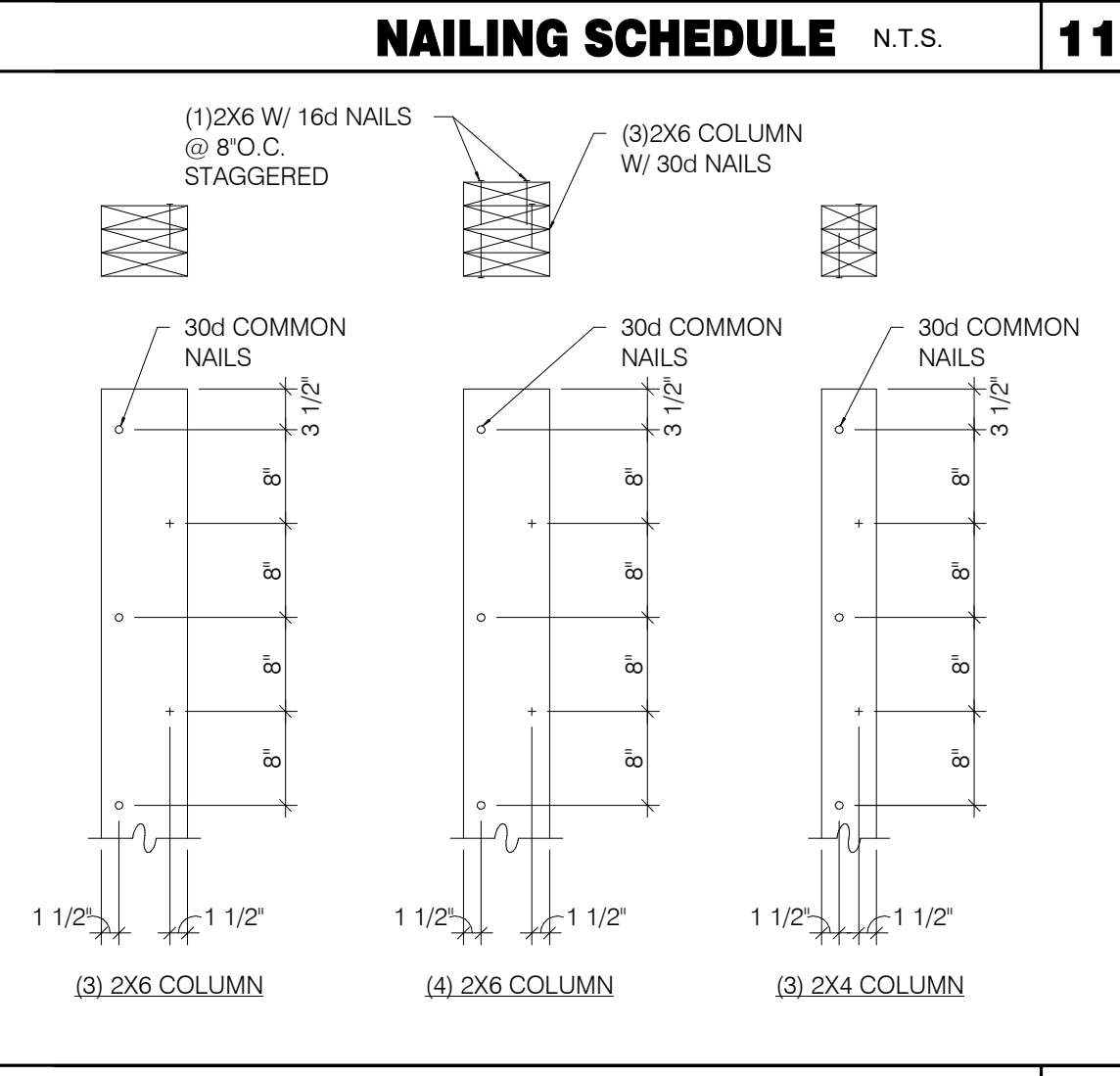
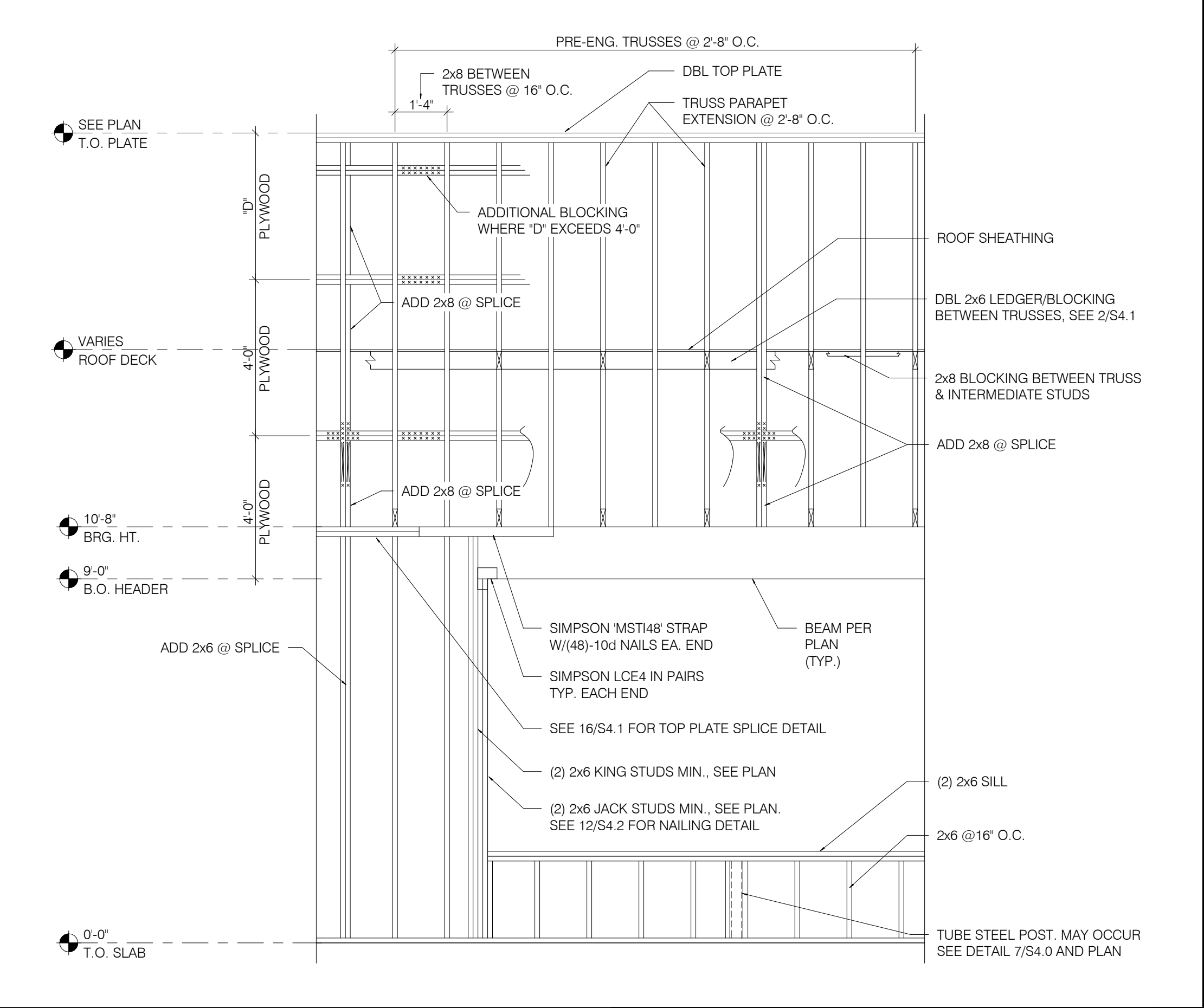
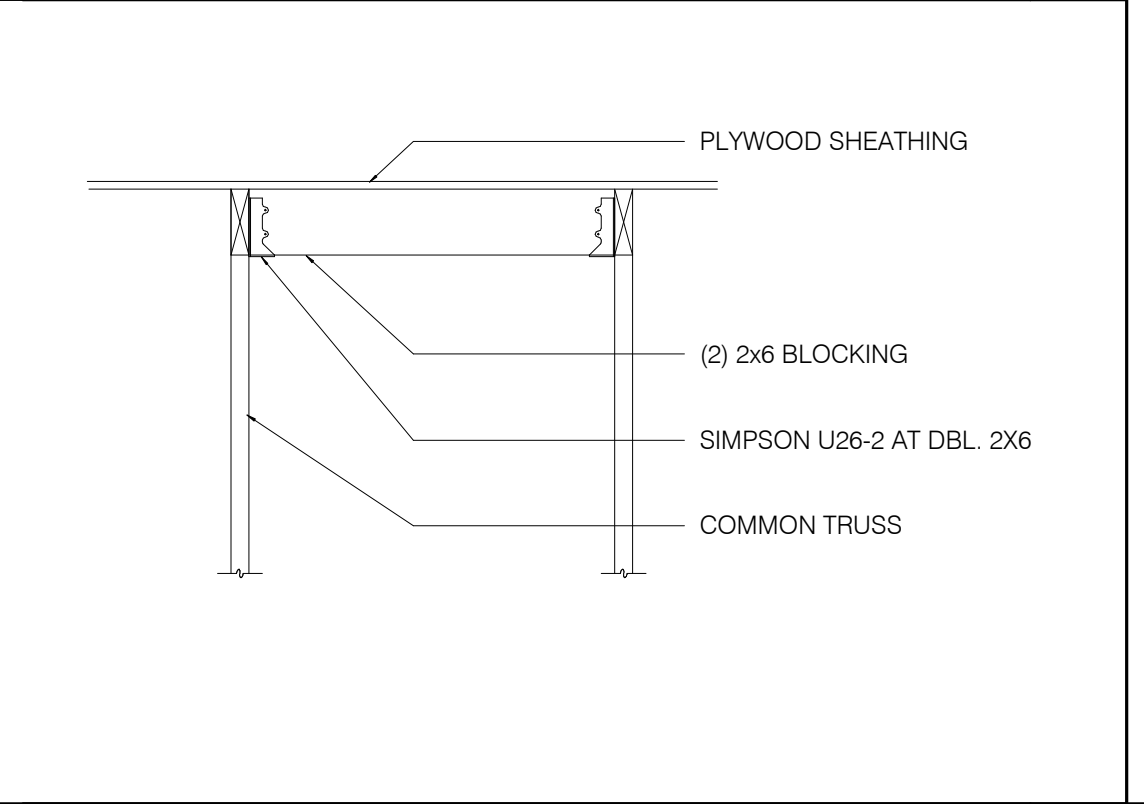
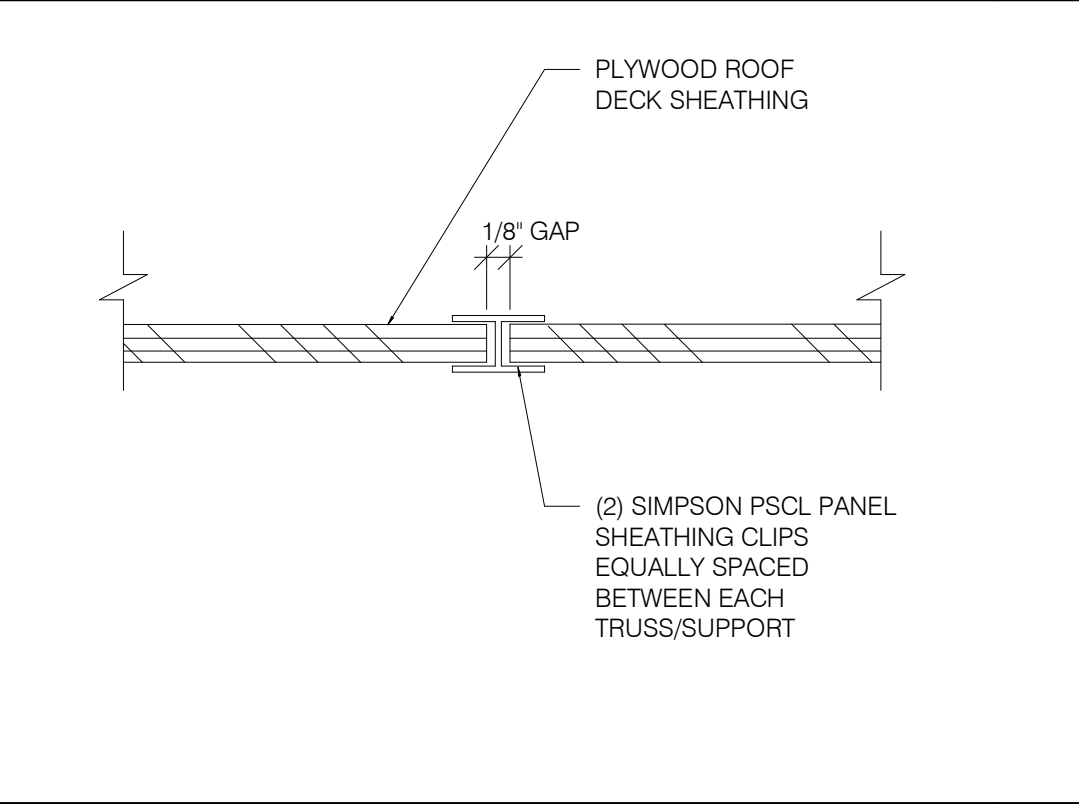


ROOF NAILING PLAN N.T.S. **8**

ROOF TOP EQUIPMENT WEIGHTS 1" = 1'-0" **5**

EQUIPMENT	DESIGN WEIGHT
HVAC UNIT - RTU-1	* SEE PLAN
HVAC UNIT - RTU-2	* SEE PLAN
EXHAUST FAN - EF-1	* 200 lbs.
EXHAUST FAN - EF-2	* 70 lbs.
HOOD #1 - TACO BELL	400 lbs.
ICE CONDENSERS	200 lbs.
FREEZER CONDENSER	300 lbs.
COOLER CONDENSER	300 lbs.

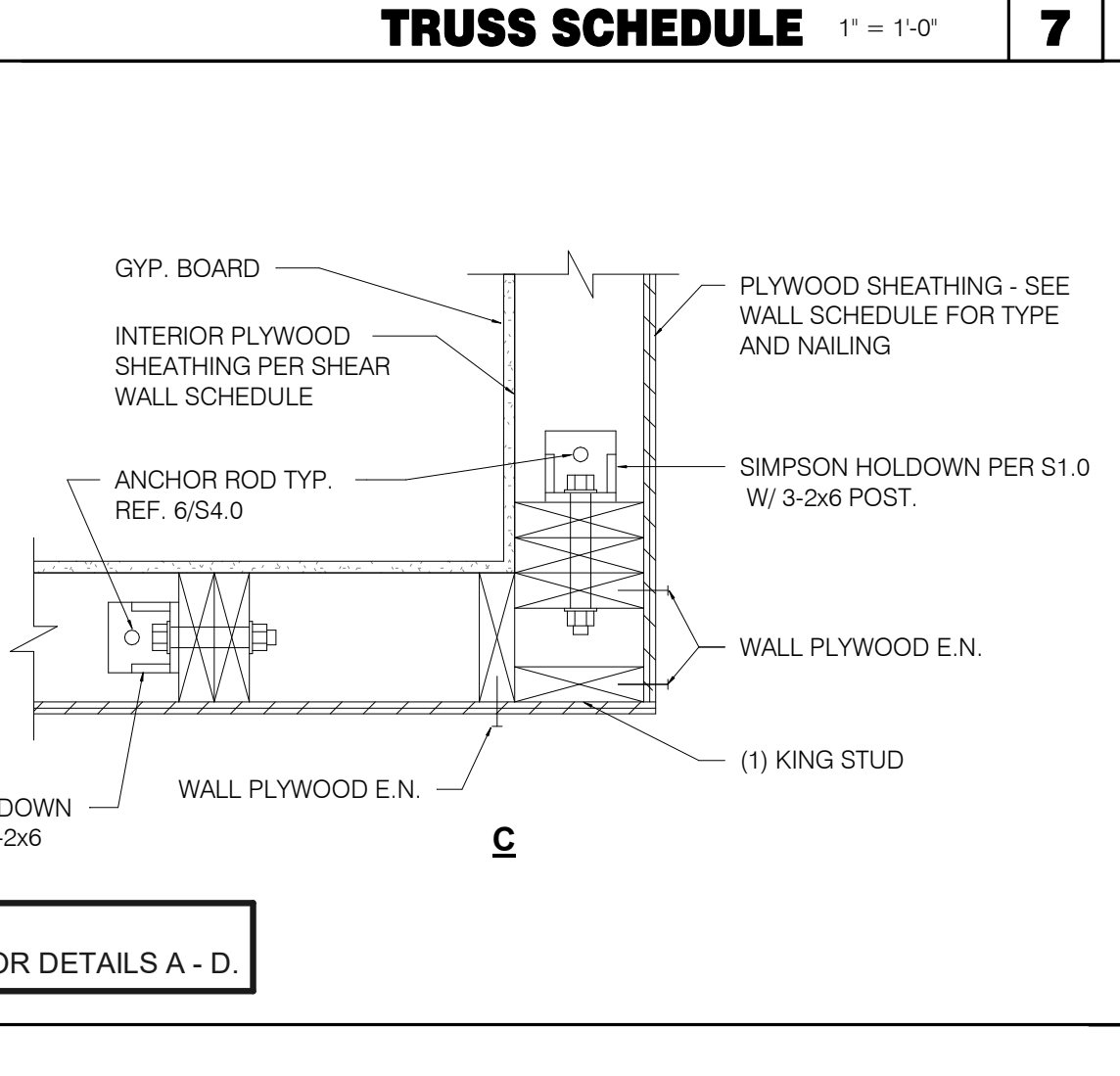
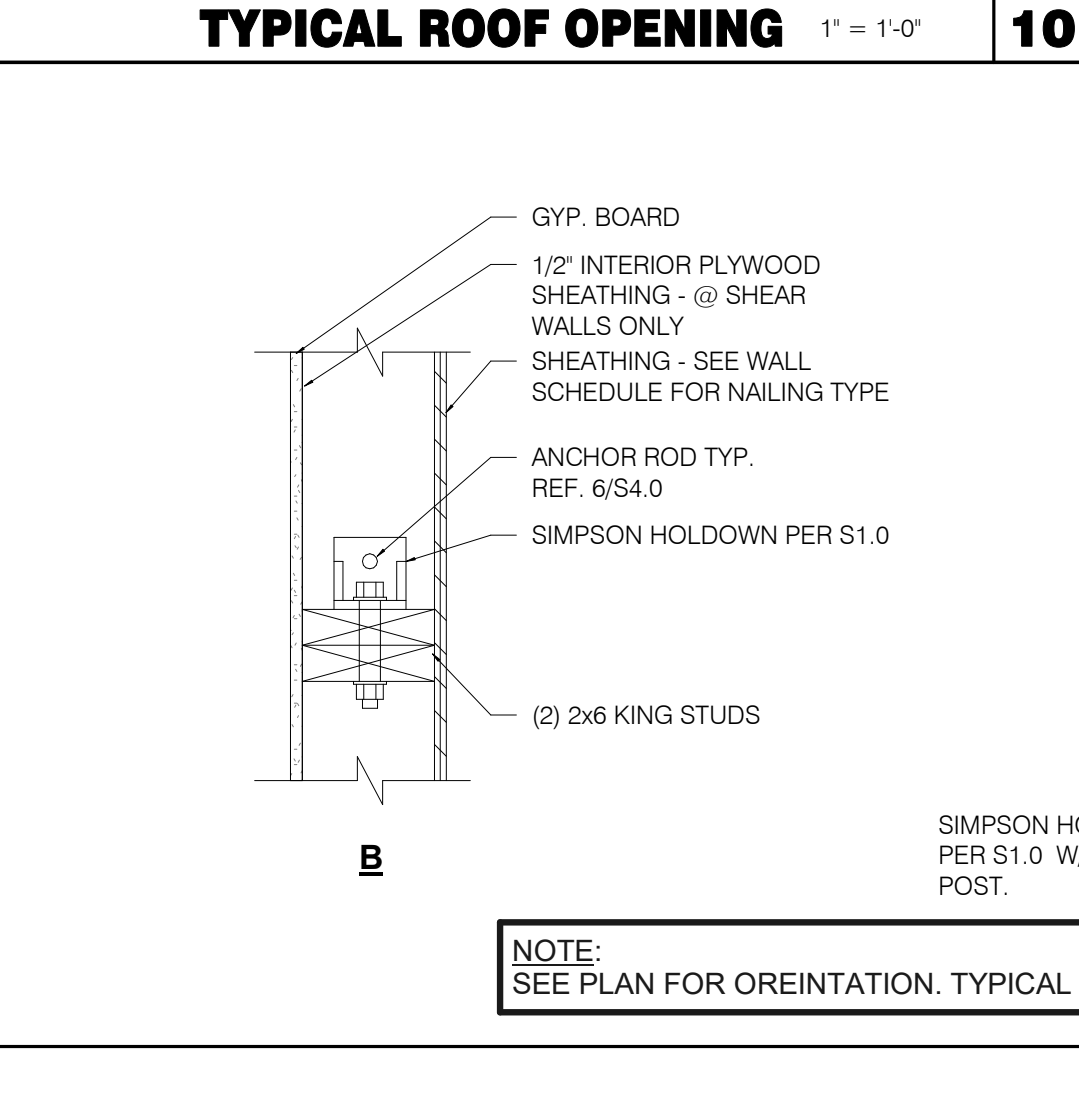
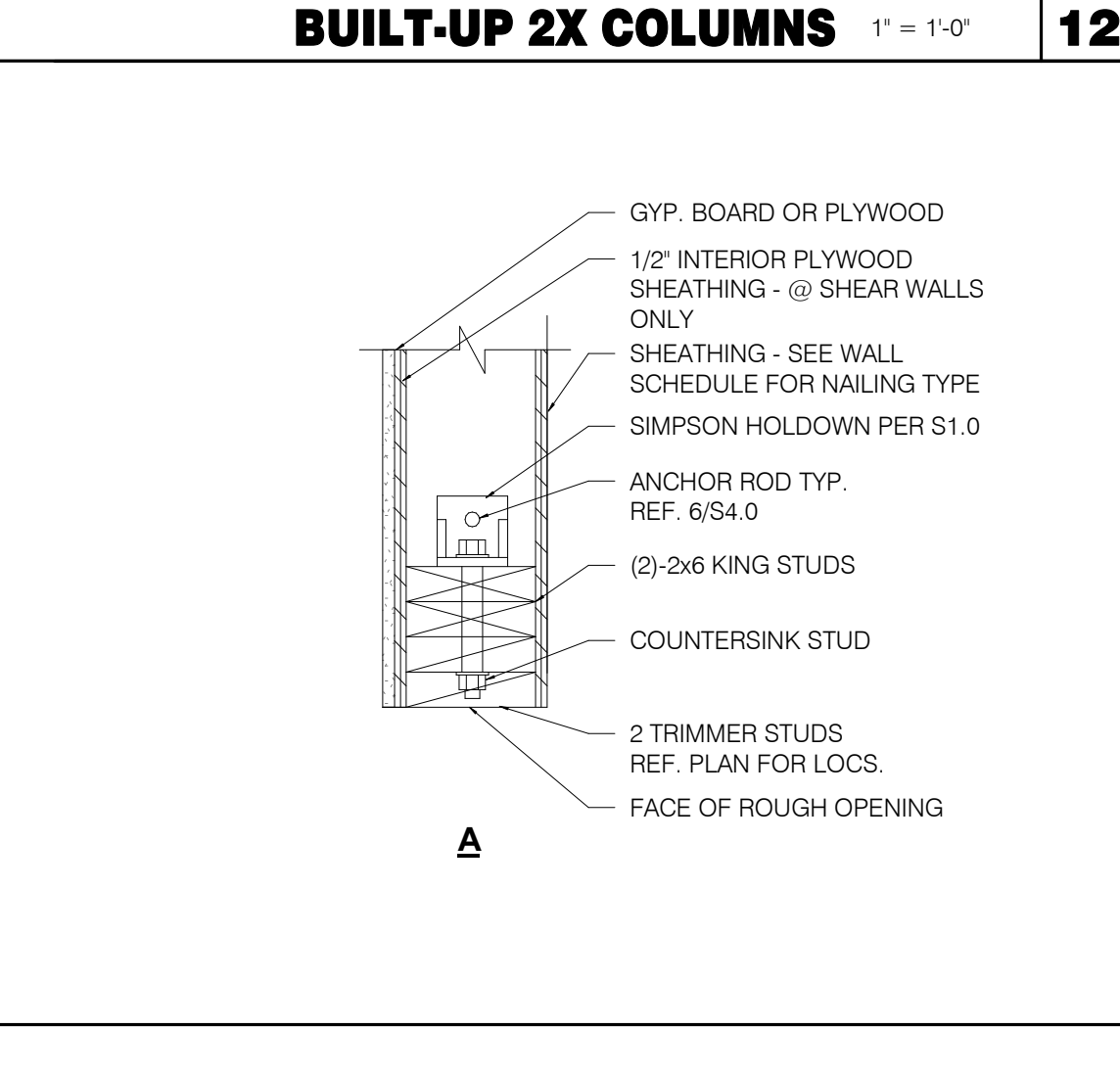
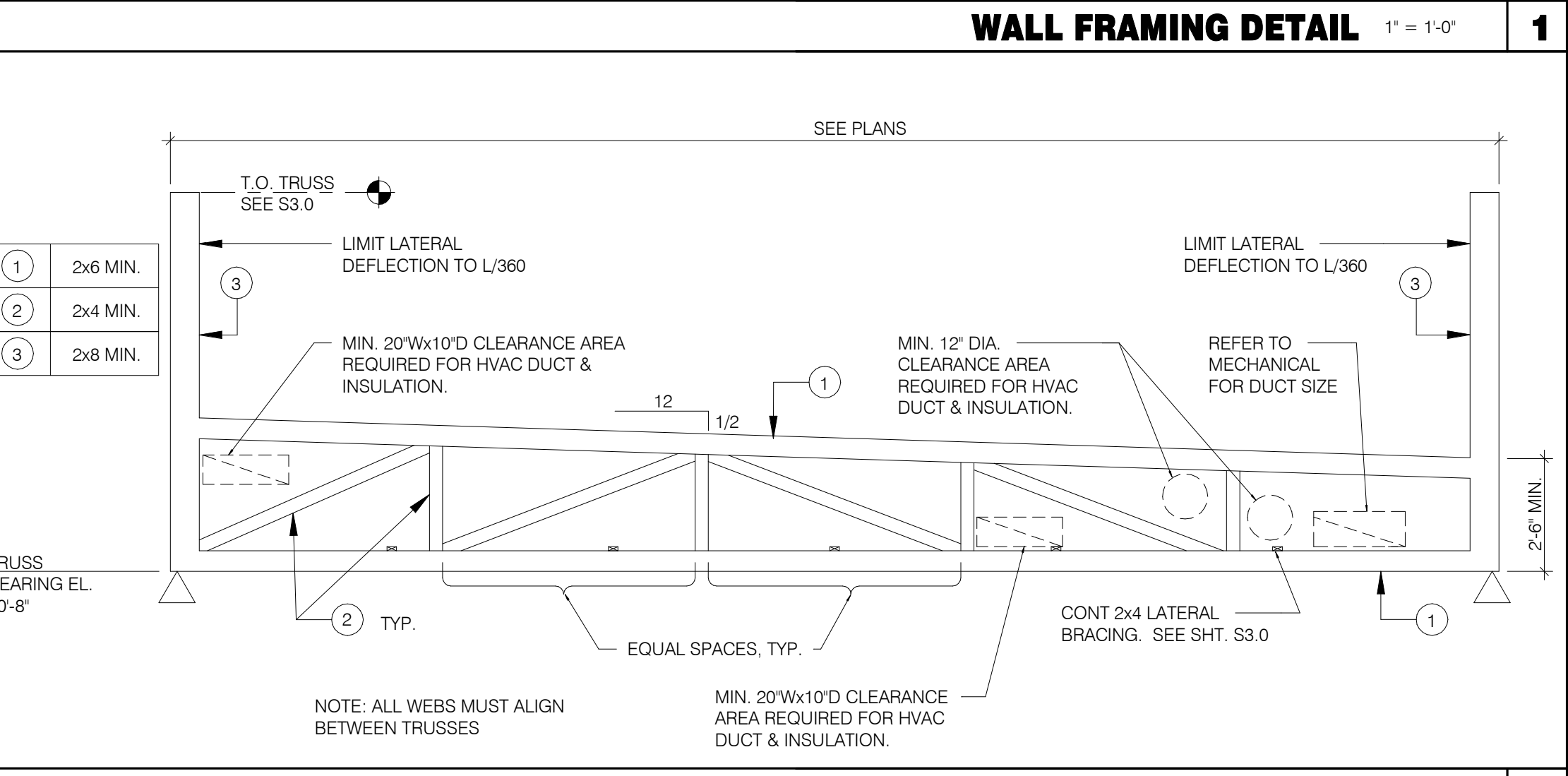
* A. ALL DESIGN WEIGHTS INCLUDE CURB.
B. COORDINATE WEIGHTS WITH HVAC UNIT SCHEDULE 1/M 1.0.



TRUSS SCHEDULE 1" = 1'-0" **7**

TRUSS TYPES	SINGLE TRUSS DESIGNATION	DOUBLE TRUSS DESIGNATION	BEARING POINT	COMMENTS
T1 - T24	X	XX		SEE NOTE 1.

NOTES:
1. HOLDOWN CONNECTORS SHALL BE SPECIFIED BY SITE SPECIFIC ARCHITECT/ENGINEER BASED UPON LOADING DATA PROVIDED BY TRUSS DESIGNER.
2. PROVIDE SHOP DRAWINGS PRIOR TO FABRICATION.
3. TRUSS MEMBER SIZES ARE FOR REFERENCE ONLY. ACTUAL SIZE SHALL BE DETERMINED BY TRUSS MANUFACTURER BASED ON ACTUAL LOAD CONDITIONS AND CODES.



DATE	REMARKS
05.06.22	Issued for Bid

CONTRACT DATE: 10.06.21
BUILDING TYPE: END. MED20
PLAN VERSION: MARCH 2021
BRAND DESIGNER:
SITE NUMBER: 0
STORE NUMBER: 0
PA/PM: AB
DRAWN BY.: RB
JOB NO.: 2020188.06

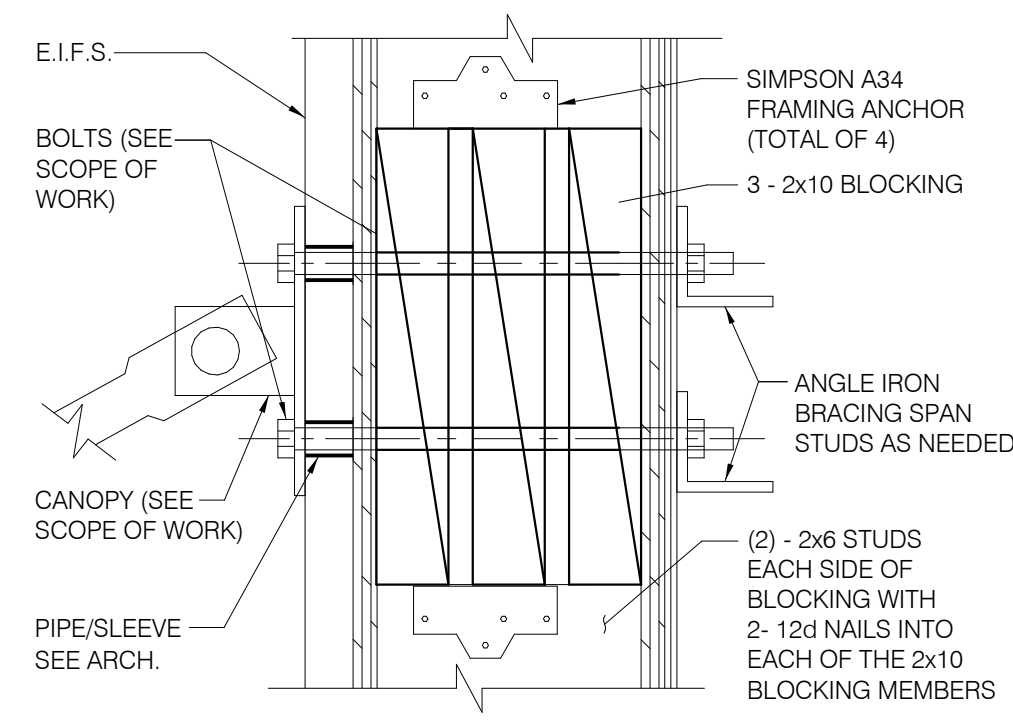
TACO BELL
3039 Dixie Highway
Edgewood, KY 41017



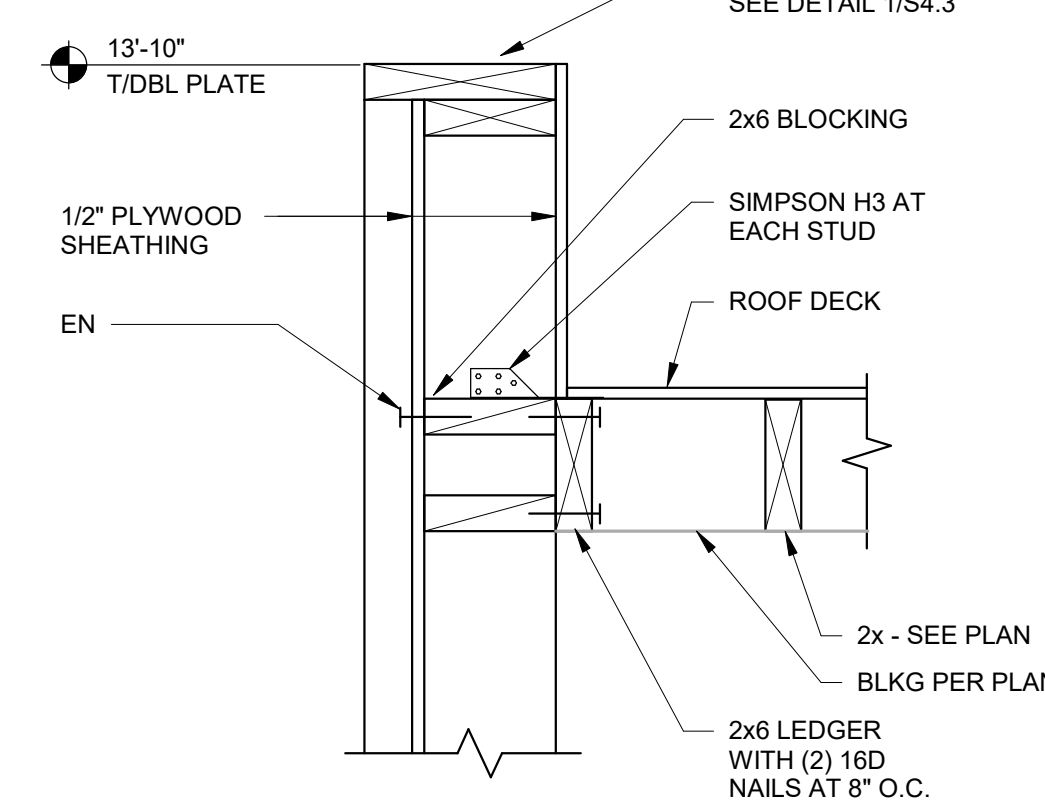
**ENDEAVOR 2.0
STRUCTURAL
DETAILS**

S4.2

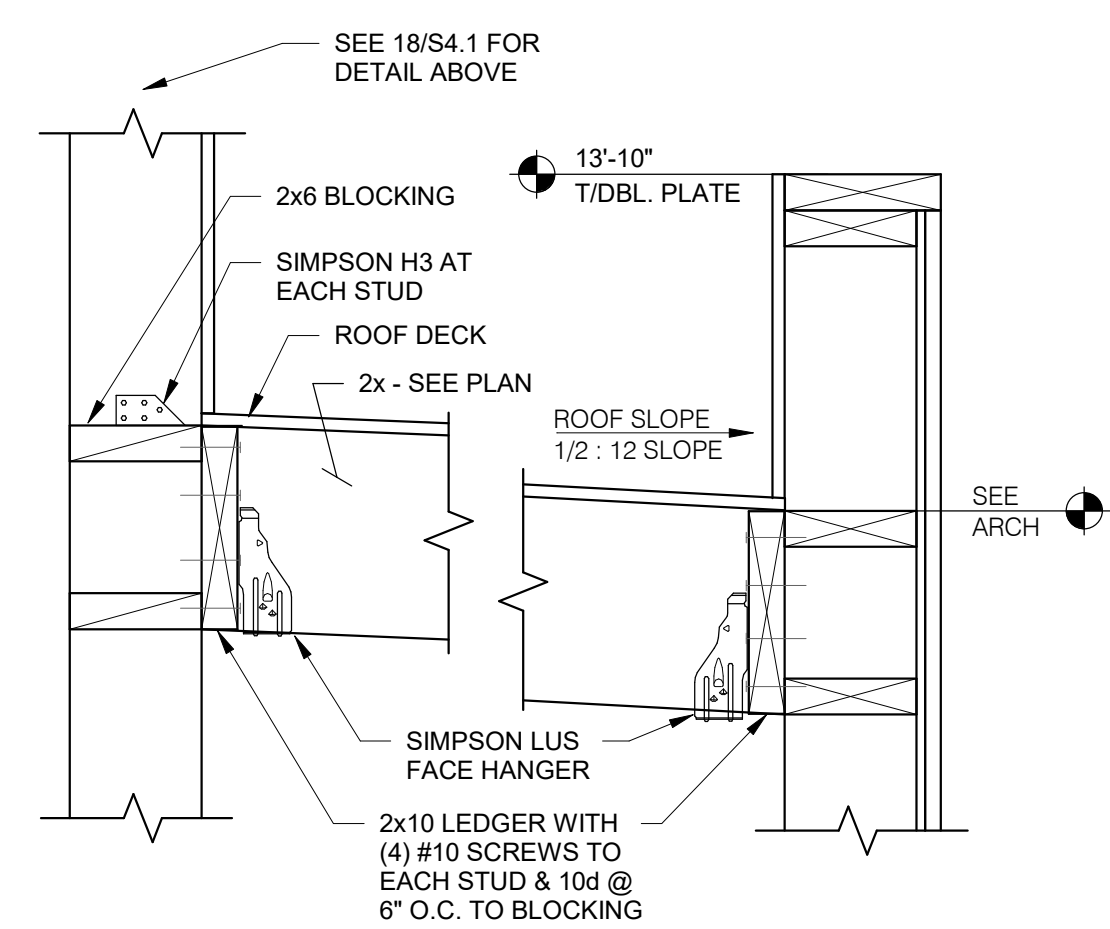
PLOT DATE: 5/5/2022 7:10:31 AM



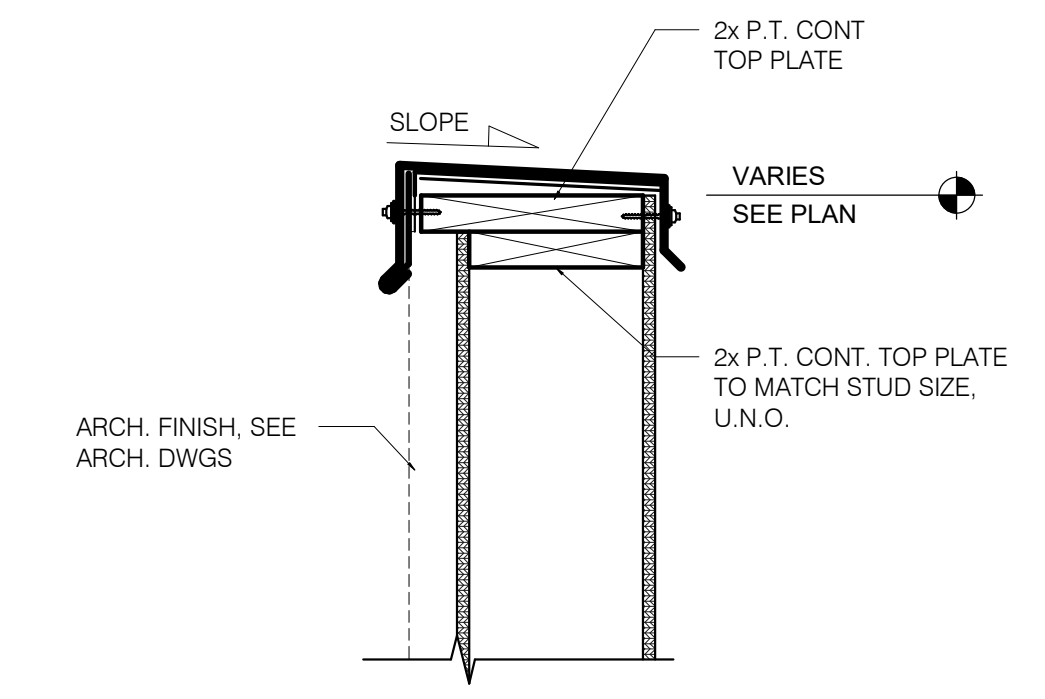
TIE-ROD BLOCKING 3' = 1'-0 **13**



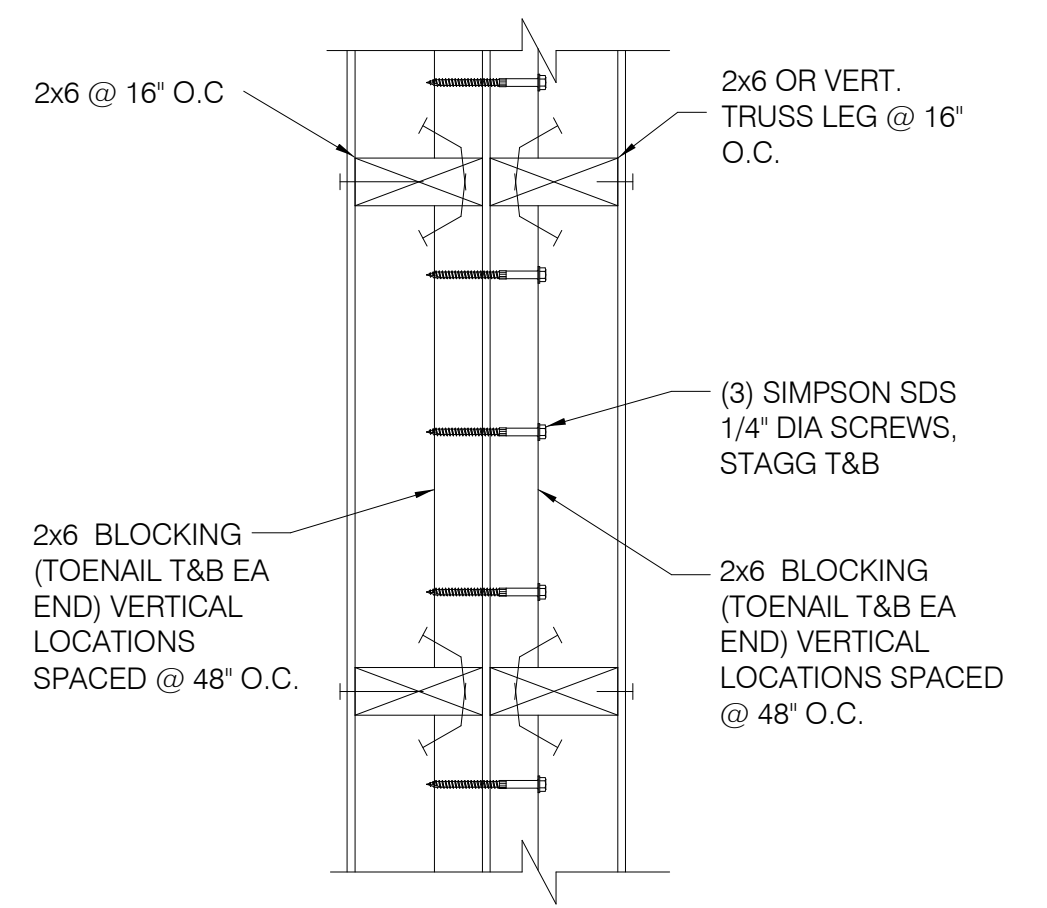
SECTION AT COOLER SIDES 1 1/2' = 1'-0 **9**



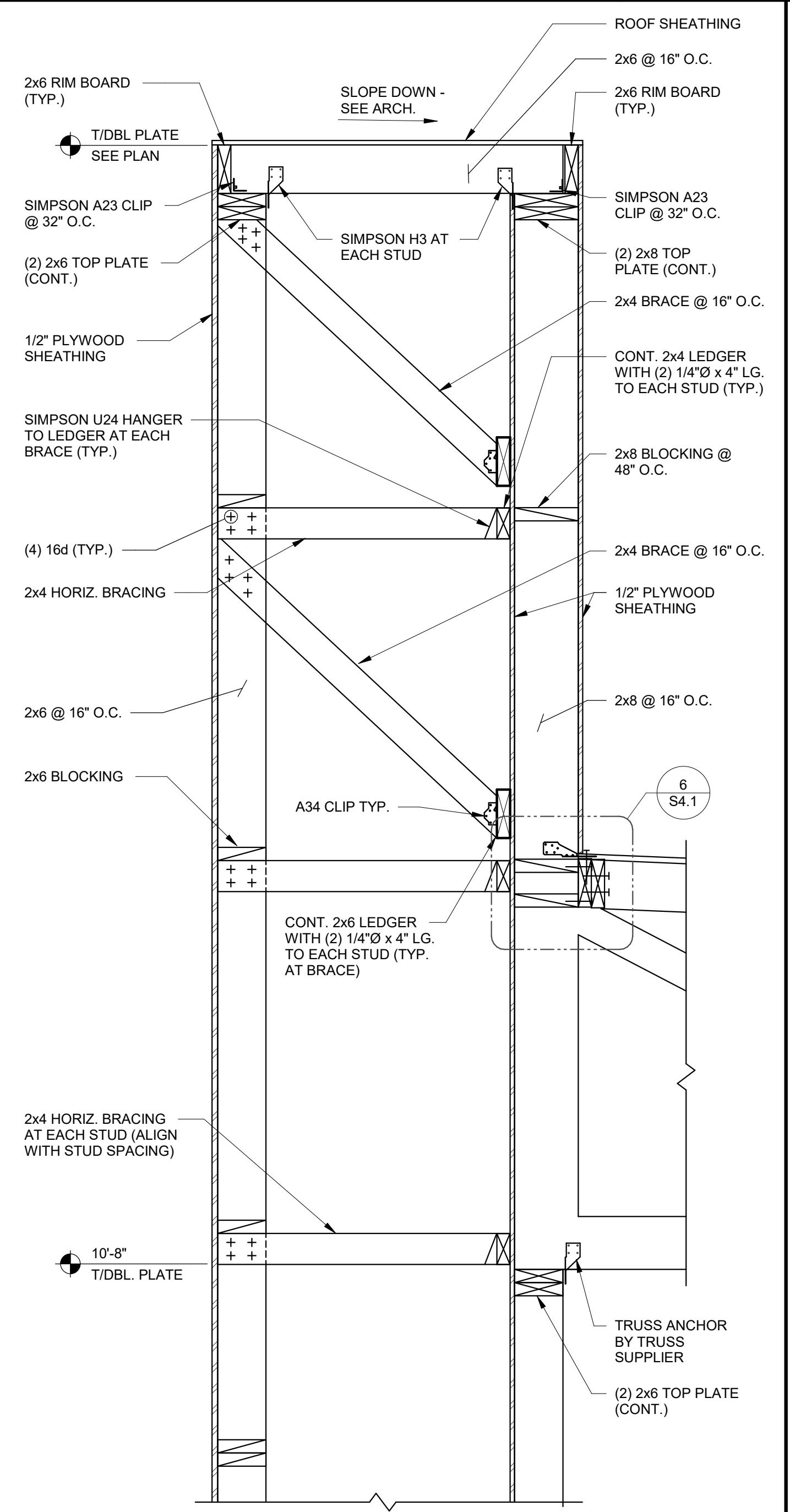
SECTION AT COOLER REAR 1 1/2' = 1'-0 **5**



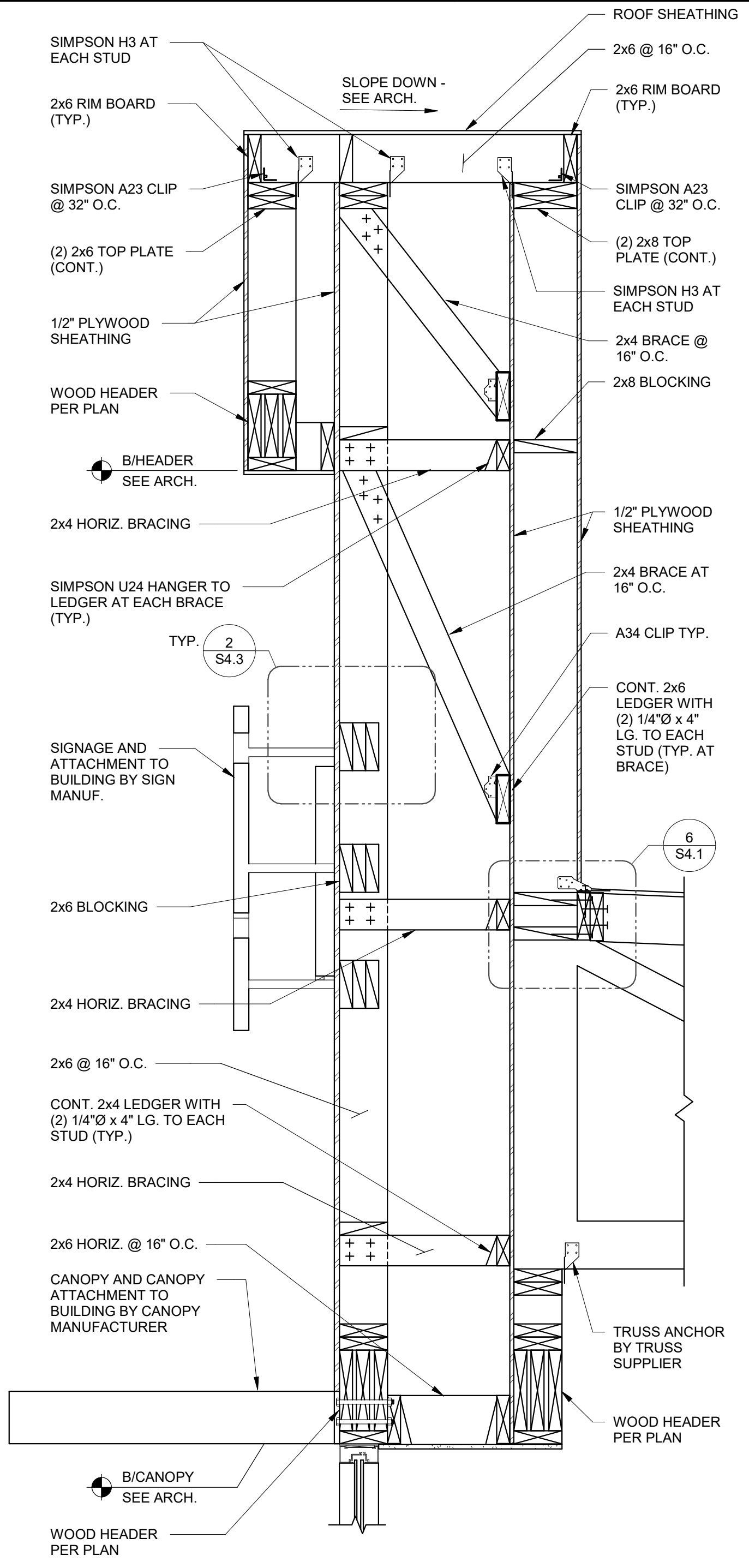
TYPICAL PARAPET CAP 1 1/2' = 1'-0 **1**



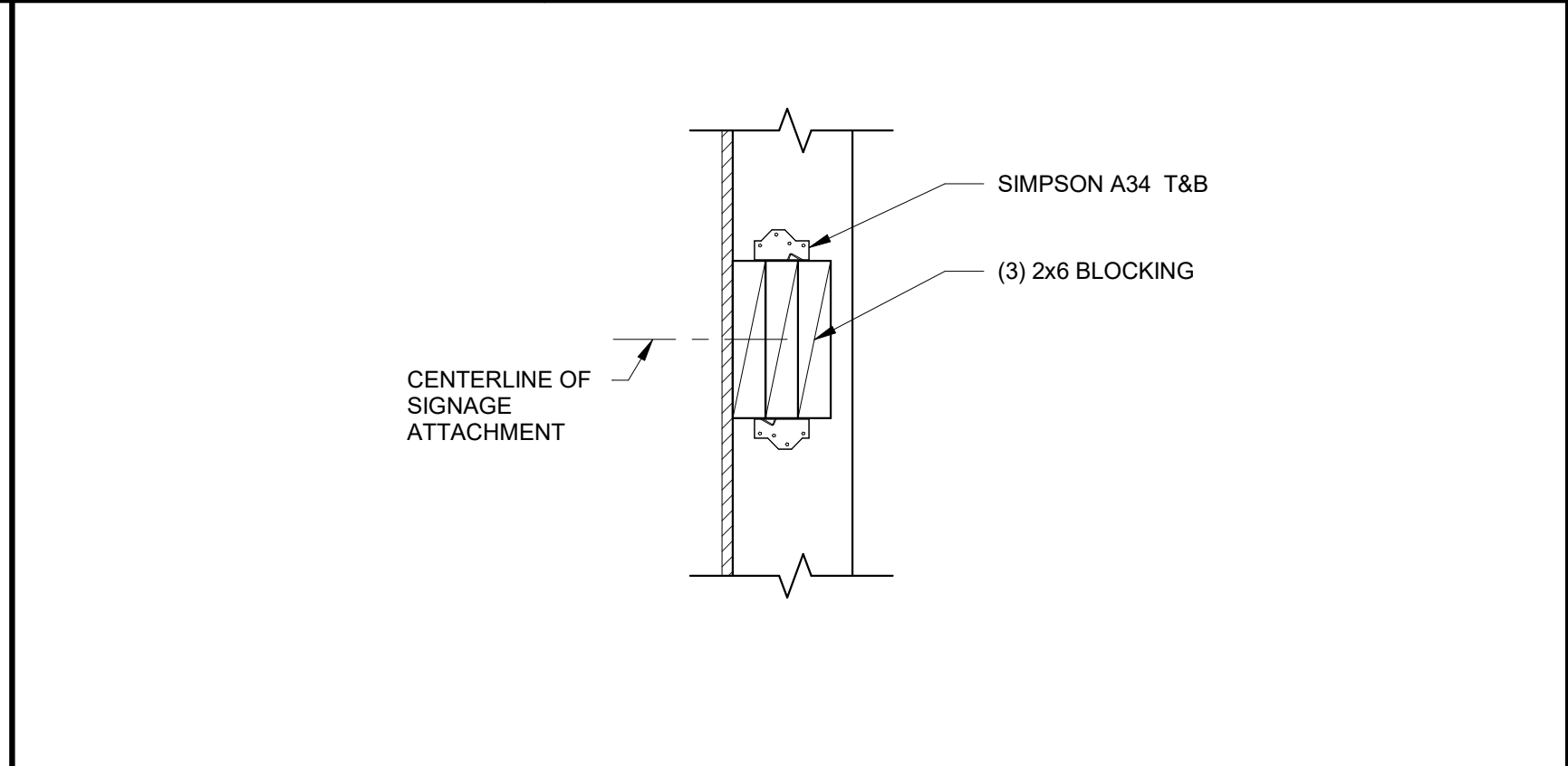
WALL DETAIL (PLAN VIEW) **14**



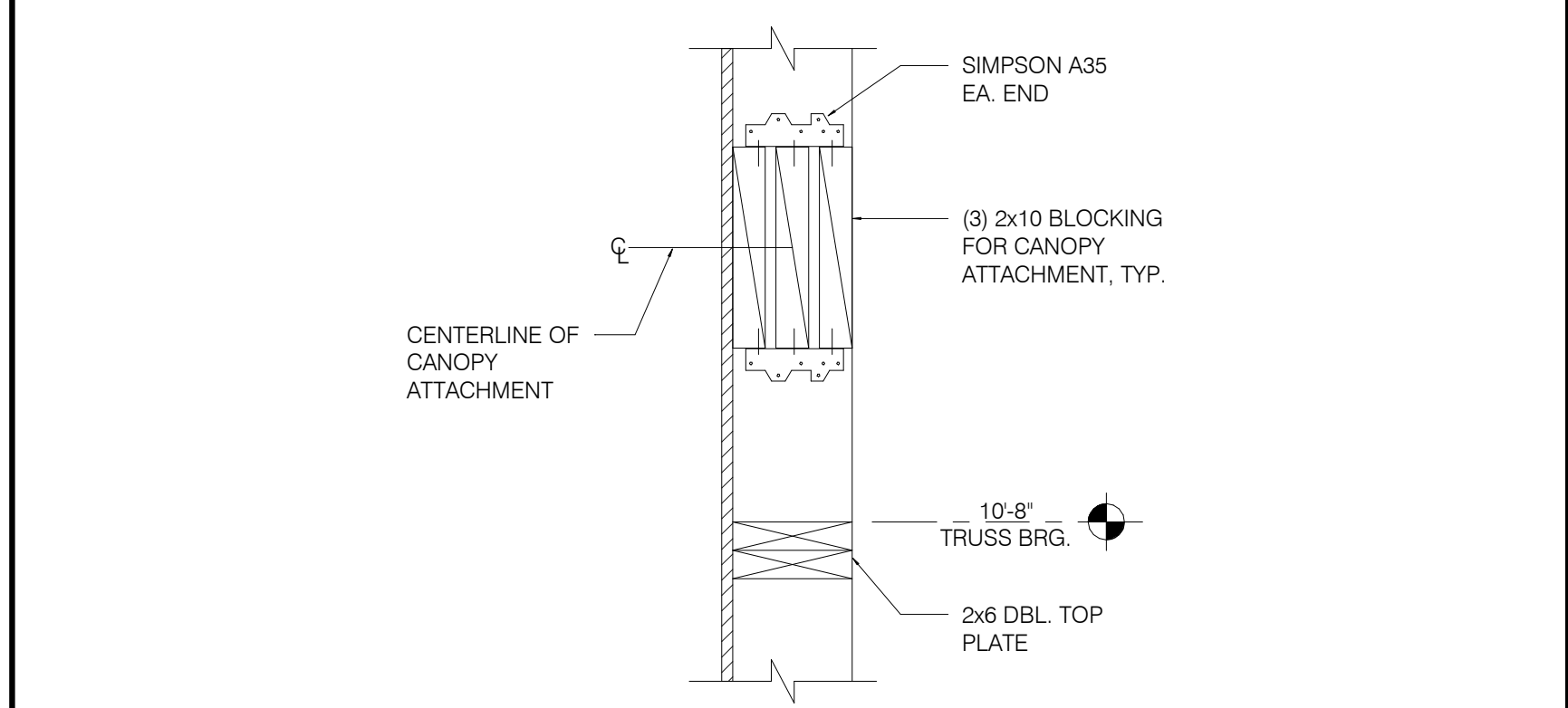
SECTION AT SIDE TOWER 1' = 1'-0 **12**



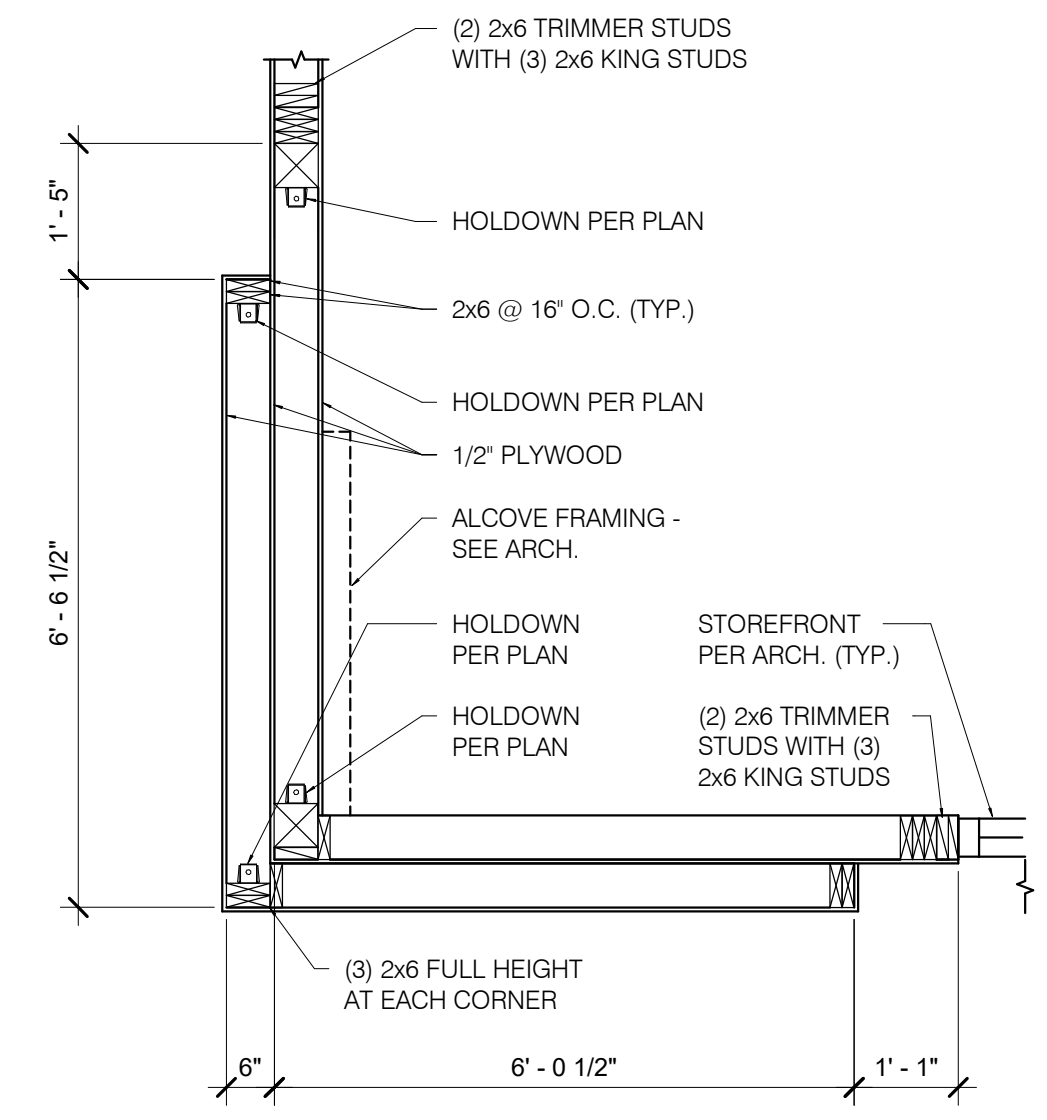
SIDE ENTRY TOWER FRAMING 1' = 1'-0 **6**



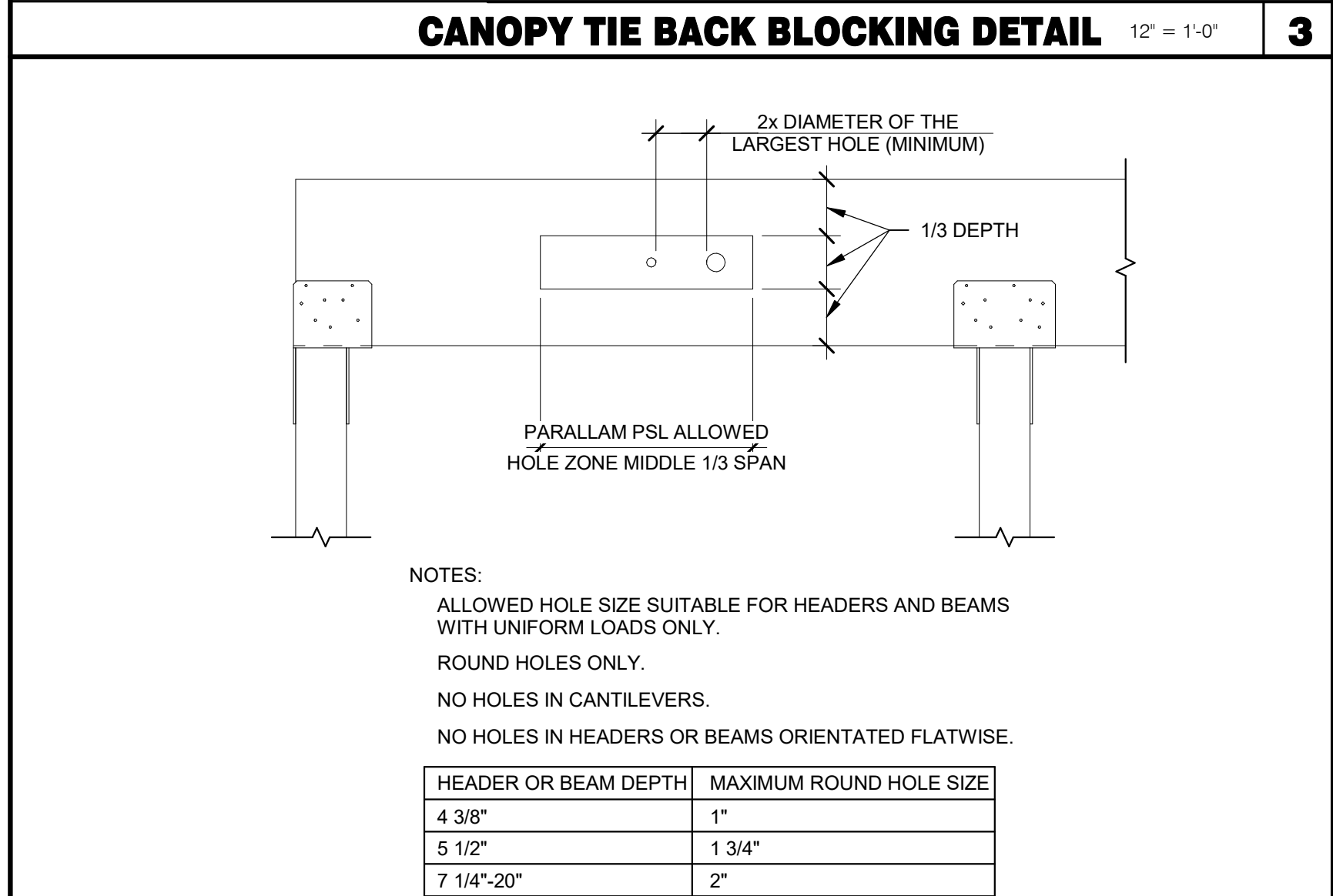
SIGNAGE & TOWER PANEL ATTACHMENT BLOCKING DETAIL 1 1/2' = 1'-0 **2**



CANOPY TIE BACK BLOCKING DETAIL 12' = 1'-0 **3**



FRONT TOWER FRAMING 1/2' = 1'-0 **20**



PSL BEAM PENETRATION DETAIL 3/4' = 1'-0 **4**

DATE	REMARKS
05.06.22	Issued for Bid

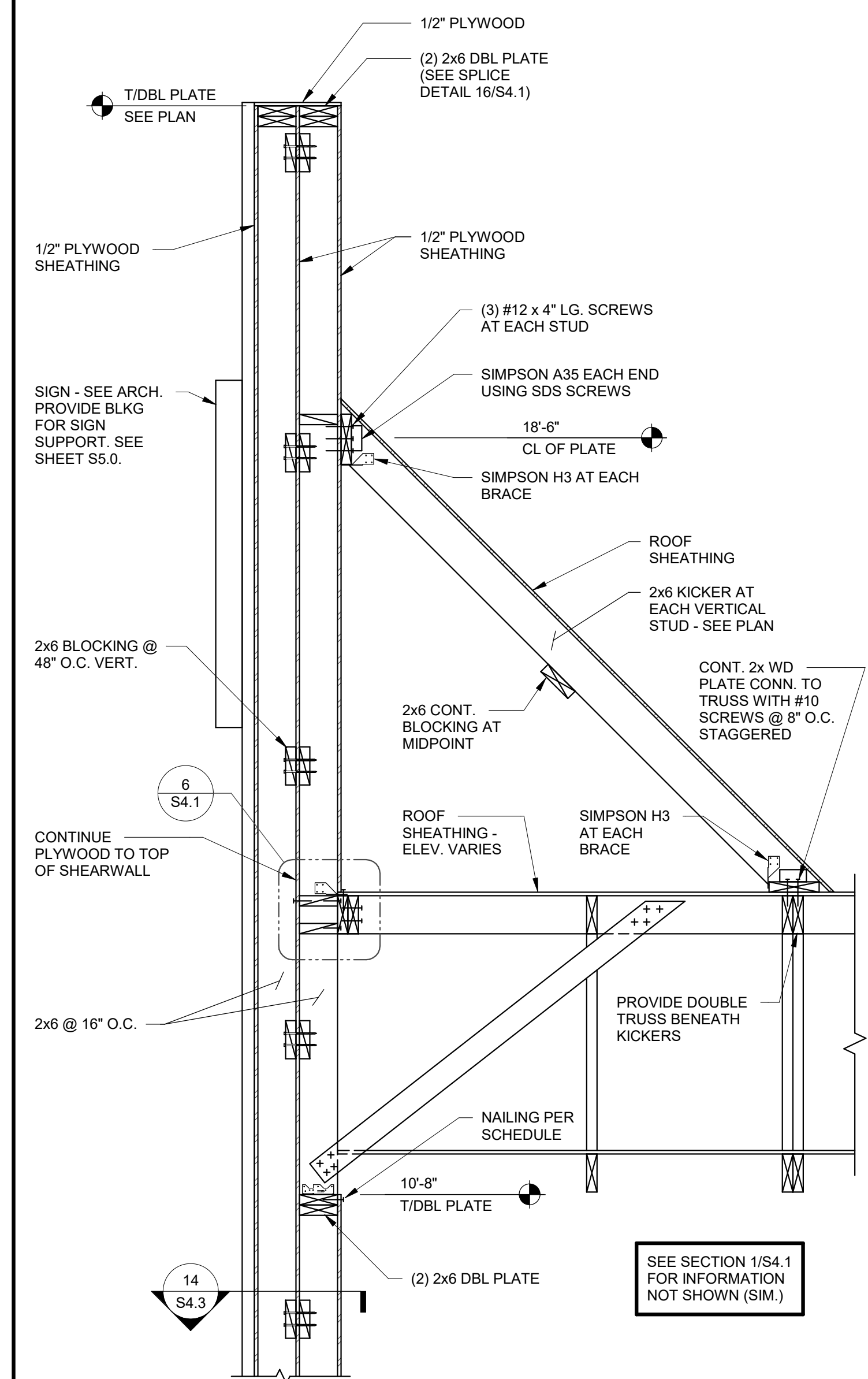
CONTRACT DATE: 10.06.21
BUILDING TYPE: END, MED20
PLAN VERSION: MARCH 2021
BRAND DESIGNER:
SITE NUMBER: 0
STORE NUMBER: 0
PA/PM: AB
DRAWN BY.: RB
JOB NO.: 2020188.06

TACO BELL
3039 Dixie Highway
Edgewood, KY 41017



ENDEAVOR 2.0
STRUCTURAL
DETAILS

S4.3



DATE	REMARKS
05.06.22	Issued for Bid

CONTRACT DATE: 10.06.21
BUILDING TYPE: END. MED20
PLAN VERSION: MARCH 2021
BRAND DESIGNER:
SITE NUMBER: 0
STORE NUMBER: 0
PA/PM: AB
DRAWN BY.: RB
JOB NO.: 2020188.06

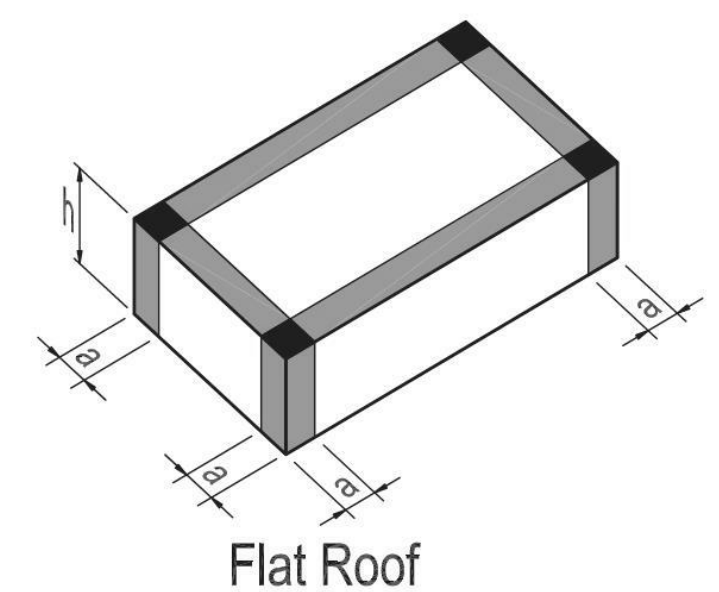
TACO BELL
3039 Dixie Highway
Edgewood, KY 41017



**ENDEAVOR 2.0
STRUCTURAL SECTIONS**

S4.4

PLOT DATE: 5/5/2022 7:10:31 AM

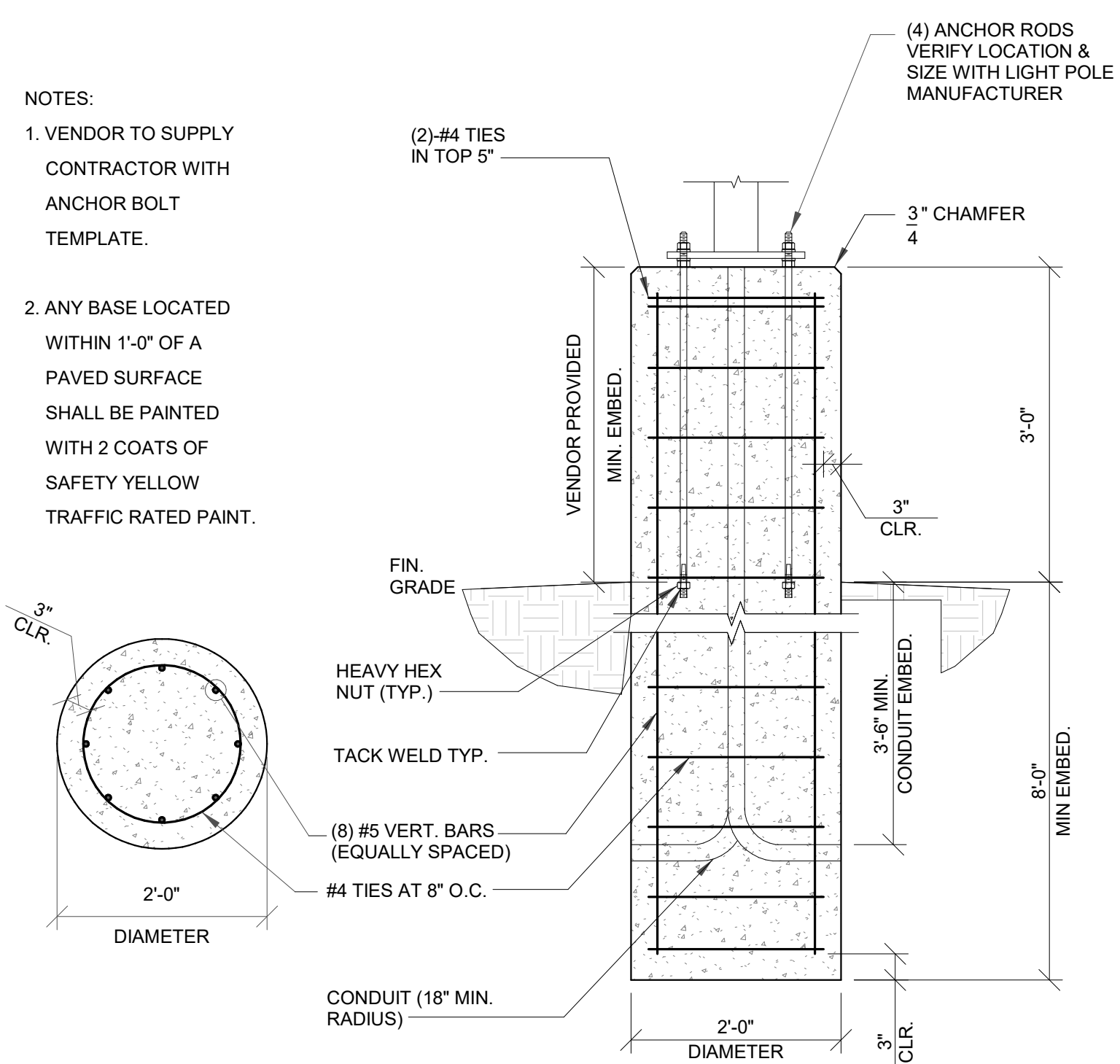


COMPONENT AND CLADDING WIND LOAD SCHEDULE
ULTIMATE PRESSURES, PSF

EFFECTIVE WIND AREA (SQ. FT.)	ROOF			WALL	
	CORNER ZONE (PSF) 3	END ZONE (PSF) 2	INTERIOR ZONE (PSF) 1	END ZONE (PSF) 5	INTERIOR ZONE (PSF) 4
<=10	+16/-69	+16/-51	+16/-39	+24/-33	+24/-27
20	+16/-62	+16/-47	+16/-36	+23/-30	+23/-25
50	+16/-53	+16/-44	+16/-33	+22/-27	+22/-23
100	+16/-47	+16/-40	+16/-30	+21/-25	+21/-23

"+" INDICATES PRESSURE ACTING TOWARD EXTERIOR FACE
"-" INDICATES PRESSURE ACTING AWAY FROM EXTERIOR FACE

- NOTES:
- VENDOR TO SUPPLY CONTRACTOR WITH ANCHOR BOLT TEMPLATE.
 - ANY BASE LOCATED WITHIN 1'-0" OF A PAVED SURFACE SHALL BE PAINTED WITH 2 COATS OF SAFETY YELLOW TRAFFIC RATED PAINT.

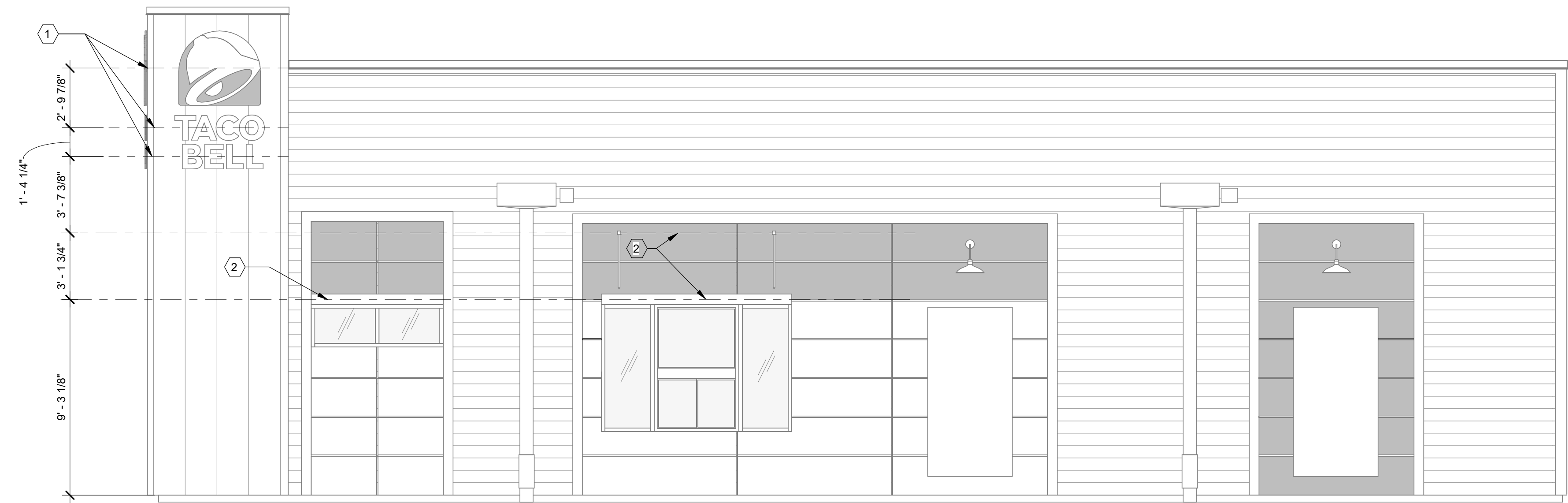


WIND LOAD TABLE AND DIAGRAM 12" = 1'-0" **4**

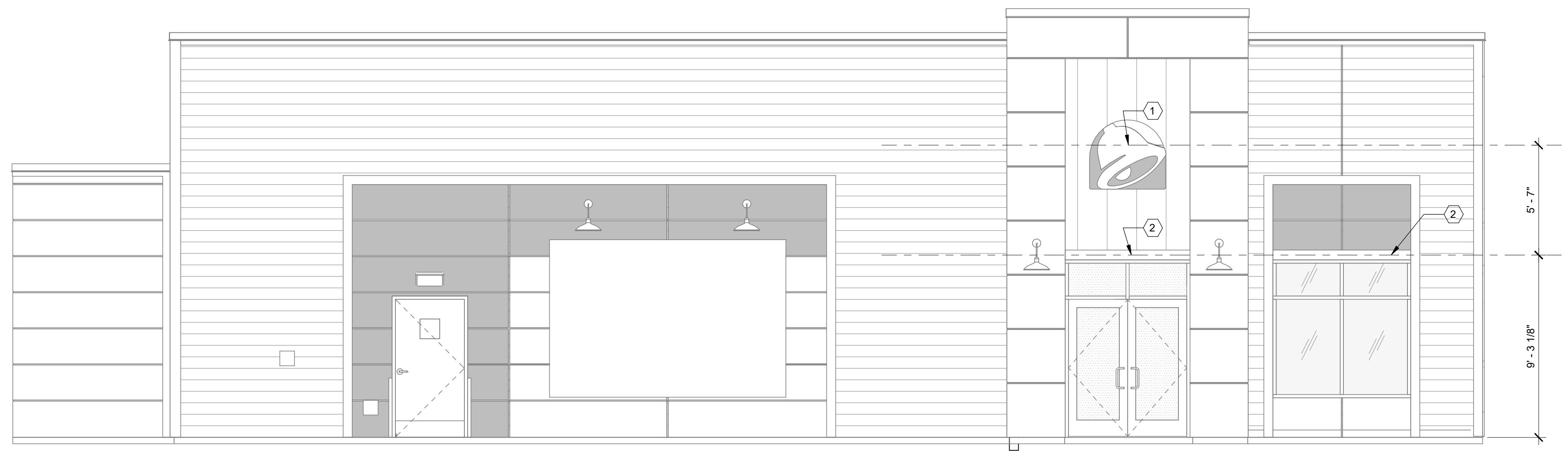
LIGHT POLE FOUNDATION DETAIL 3/4" = 1'-0" **3**

INTERIOR SHEAR WALL 3/4" = 1'-0" **2**

COORDINATE BLOCKING
REQUIREMENTS WITH
MANUFACTURER



SOUTH ELEVATION 1/4" = 1'-0" **A**



NORTH ELEVATION 1/4" = 1'-0" **B**



EAST ELEVATION 1/4" = 1'-0" **F**

- ① SOLID BLOCKING FOR FASTENERS AS REQUIRED FOR SIGN MOUNTING.
- ② PROVIDE BLOCKING FOR CANOPY. SEE DETAILS 3/S4.3 AND 13/S4.3.

KEY NOTES **C**

1. EXTEND BLOCKING AS REQUIRED TO FIT BETWEEN STUDS.
2. ELEVATION AT BOTTOM OF CANOPIES SHALL BE 9'-0" A.F.F. U.N.O.
3. COORDINATE SIGNAGE ELEMENTS AND BLOCKING REQUIREMENTS WITH SIGNAGE VENDOR - SEE SCOPE OF WORK.
4. THIS SHEET IS TO INDICATE BLOCKING REQUIREMENTS FOR SIGNS, AWNINGS, AND CANOPIES. ADDITIONAL BLOCKING IS REQUIRED FOR OTHER ITEMS AS SHOWN ON OTHER DRAWINGS.

GENERAL NOTES **D**

DATE	REMARKS
05.06.22	Issued for Bid

CONTRACT DATE:	10.06.21
BUILDING TYPE:	END. MED20
PLAN VERSION:	MARCH 2021
BRAND DESIGNER:	
SITE NUMBER:	0
STORE NUMBER:	0
PA/PM:	AB
DRAWN BY.:	RB
JOB NO.:	2020188.06

TACO BELL
3039 Dixie Highway
Edgewood, KY 41017

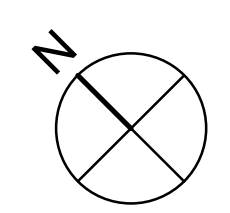
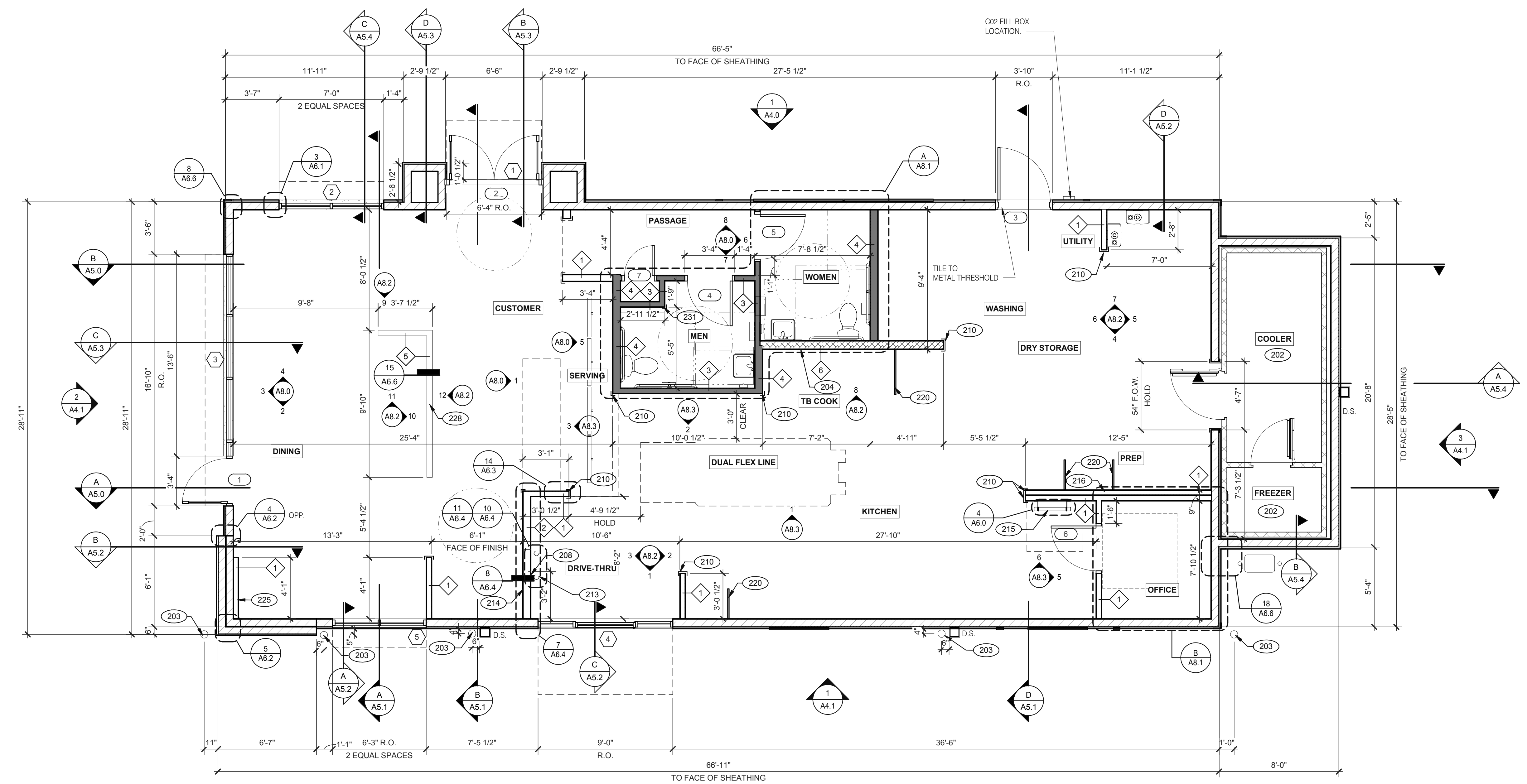


**ENDEAVOR 2.0
CANOPY/AWNING
BLOCKING
ELEVATIONS**

S5.0



520 S. MAIN STREET, SUIT 2531
AKRON, OH 44311
330.572.2100 FAX: 330.572.2102



FLOOR PLAN 1/4" = 1'-0" **1**

DATE	REMARKS
05.06.22	Issued for Permit

CONTRACT DATE: 10.06.21
BUILDING TYPE: END, MED20
PLAN VERSION: MARCH 2021
BRAND DESIGNER: WANCHO
SITE NUMBER: 0
STORE NUMBER: 0
PA/PM: AB
DRAWN BY.: MS
JOB NO.: 2020188.06

TACO BELL

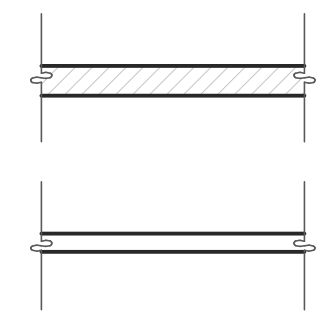
3039 Dixie Highway
Edgewood, KY 41017



ENDEAVOR 2.0 FLOOR PLAN

A1.0

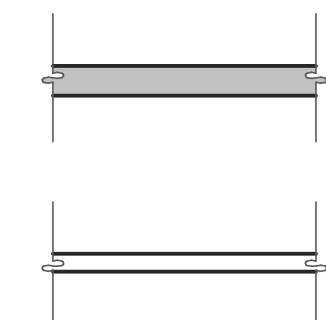
PLOT DATE: 5/5/2022 11:06:28 AM



TYPICAL EXTERIOR WALL:
2X6 WD STUDS AT 16" O.C. W/ SHEATHING AS SCHEDULED (SEE STRUCT. DWGS.) AND R-19 KRAFT-FACED FIBERGLASS BATT INSULATION U.O.N. GC SHALL PROVIDE 2 LAYERS OF GRADE 'D' 60 lb BUILDING PAPER.

TYPICAL INTERIOR WALL:
WD STUDS AT 16" O.C. AS INDICATED

1 2X4 WOOD STUDS
2 2X6 WOOD STUDS



INTERIOR SOUND-RATED WALL:
TYPICAL INTERIOR WALL W/ 3-1/2" UNFACED FIBERGLASS BATT INSULATION.

3 2X4 WOOD STUDS 4 2X6 WOOD STUDS

LOW WALL:
2X4 WD STUDS AT 16" O.C. AS SCHEDULED (SEE DETAIL 15/A6.6)

5 2X4 WOOD STUDS

HOOD WALL:
INTERIOR NON-COMBUSTIBLE WALL WITH 20 GA. S.S. PANEL BEHIND HOOD. EXTEND MIN. 18" BEYOND END OF HOOD. M. STUD FRAMING. REFER TO DETAIL 2/M3.0 FOR EXTENT OF S.S. PANEL.

6 6" METAL STUD 7 3 5/8" METAL STUD

DASHED LINE INDICATES INTERIOR SUBSTRATE LOCATION.

WALL HEIGHTS:
ALL INTERIOR NON-BEARING WALLS GO TO BOTTOM OF TRUSS, U.O.N. REFER TO STRUCTURE.

WALL SUBSTRATES:

- DINING ROOM:
1/2" GYPSUM WALLBOARD FROM FLOOR SLAB TO 6" ABOVE CEILING HEIGHT U.O.N. SEE 6 & 8/A6.3 (NOTE: THE CEMENT BOARD SPECIFICATION IS DESIGNED TO ALLOW THE G.C. FLEXIBILITY.)
- KITCHEN WALLS AND DINING ROOM CLOSET:
1/2" CEMENT WALLBOARD FROM T.O. SLAB T.O. 12" A.F.F., USE 1/2" CDX PLYWOOD W/FRP SURFACE FINISH TO 6" ABOVE CEILING HEIGHT U.O.N. IF DOUBLE SIDE SHEAR WALL PLYWOOD IS SPECIFIED THE PLYWOOD SHALL BE CONTINUOUS FROM SILL PLATE TO TOP PLATE. SEE 4/A6.3.
- RESTROOM WALLS:
5/8" CEMENT WALLBOARD FROM T.O. SLAB OR T.O. CONCRETE CURB TO 48" A.F.F., WITH 5/8" HI-IMPACT BRAND XP WALLBOARD, TYPE X CORE FROM T.O. CEMENT BOARD TO 6" ABOVE CEILING HEIGHT U.O.N. NO SUBSTITUTIONS ALLOWED. FINISH AS SCHEDULED.
- ALL OTHER FRAME WALL CONDITIONS:
1/2" CEMENT WALLBOARD FROM T.O. SLAB OR T.O. CONCRETE CURB TO 48" A.F.F., WITH 1/2" GYPSUM WALLBOARD FROM T.O. CEMENT BOARD TO 6" ABOVE CEILING HEIGHT U.O.N. FINISH AS SCHEDULED.

WALL LEGEND

E

DIMENSIONS:

- A. ALL DIMENSIONS NOTED ARE TO FACE OF CONCRETE FOUNDATION, FACE OF SHEATHING ON EXTERIOR WALLS, AND FACE OF FINISH ON INTERIOR WALLS U.N.O.
- B. DIMENSIONS NOTED AS 'CLEAR' OR 'HOLD' ARE MIN. REQUIRED. NET CLEARANCE FROM FACE OF WALL / WAINSCOT FINISH. VERIFY FINAL EQUIPMENT SIZES W/ VENDOR PRIOR TO INT. WALL FRAMING.

WINDOWS / DOORS:

- A. SEE SHEET A1.1 FOR WINDOW TYPES AND DOOR SCHEDULE.
- B. ALL DOOR AND WINDOW OPENING DIMENSIONS ARE TO ROUGH OPENING.

FINISH SUBSTRATES:

- A. PROVIDE 1/2" THICK CEMENTITIOUS BD. FROM FLOOR SLAB TO 12" A.F.F. MIN. IN LIEU OF GYP. BD. AT ALL WALLS EXCEPT SHEARWALL SURFACES, U.O.N.
- B. ALL JOINTS, GAPS OR SPACES LEADING TO ALL HOLLOW OR INACCESSIBLE SPACES SHALL BE SEALED WITH 'NSF' INTERNATIONAL APPROVED SEALANTS.
- C. ALL BACK OF HOUSE AND OFFICE WALLS SHALL HAVE 1/2" CDX PLYWOOD SUBSTRATE, U.O.N.

DECOR:

- A. SEE A2.0 FOR SEATING PLAN AND DETAILS.
- B. SEE A7.0 FOR FLOOR FINISHES.
- C. SEE A8.0 - A8.3 FOR WALL FINISHES.
- D. SEE A7.1 FOR CEILING FINISHES.

GENERAL:

- A. PROVIDE THREE FIRE EXTINGUISHERS - (2) 10 lb. BC AND (1) 10 lb. ABC - TO COMPLY WITH LOCAL FIRE CODE. LOCATE PER DIRECTION OF FIRE MARSHALL OR LOCAL AUTHORIZING AGENT. FOR ADDITIONAL INFORMATION SEE SHEET A2.0
- B. DRAWINGS ARE BASED UPON WOOD FRAMING. UTILIZATION OF METAL STUDS ON NON-BEARING INTERIOR PARTITIONS, BULKHEADS AND SOFFITS IS ACCEPTABLE.

FLOOR PLAN NOTES

D

202

NO FRP BEHIND W-059 WALK-IN COOLER/FREEZER.

203

PIPE BOLLARD. SEE CIVIL DRAWINGS.

204

HOOD WALL. SEE WALL LEGEND.

208

KEEP CLEAR FOR UTILITIES & SYRUP LINES.

210

S.S. CORNER GUARD/WALL CAP [TM-2], TYP. ALL CORNERS IN BACK OF HOUSE FROM REAR WALL TO THE KITCHEN SIDE OF THE SERVICE COUNTER. SEE DETAIL 14/A6.3.

213

SYRUP LINE CHASE (ABOVE).

214

14"x14" HORIZONTAL OPENING FOR SYRUP TUBES. COORDINATE WALL PENETRATION WITH COUNTER INSTALLER. SEAL CHASE TO COUNTER.

215

ROOF LADDER.

216

ADD SECOND 2X4 WALL ON KITCHEN SIDE.

220

SPLASH GUARD. SEE DETAIL 9/A6.3.

225

FUR OUT WALL AS INDICATED WITH 2X4 WOOD STUDS AT 16" O.C.

228

LOW WALL, BY G.C. COORDINATE WITH STRUCTURAL DRAWINGS.

231

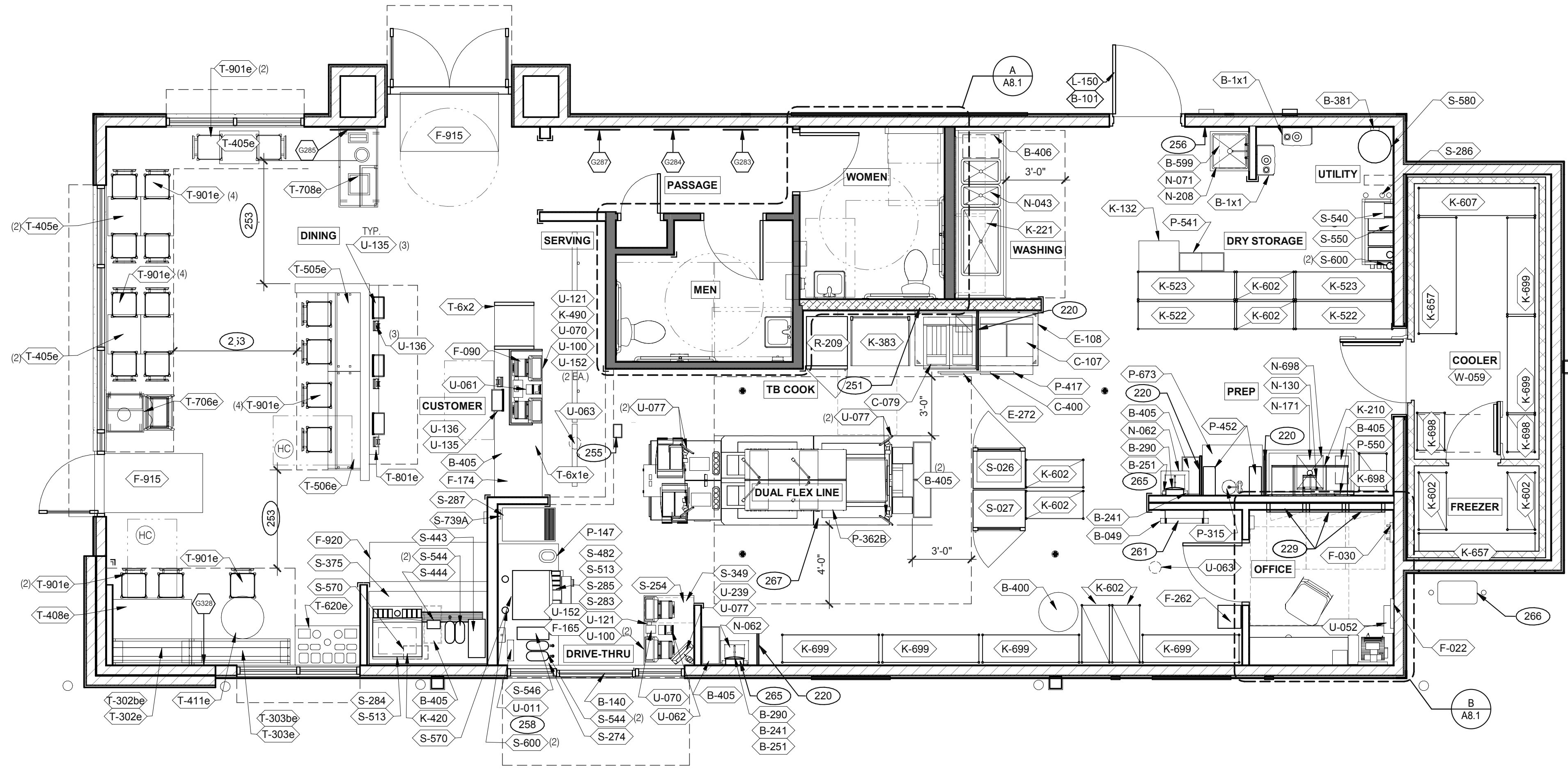
CORNER GUARD TILE SCHLUTER. SEE DETAIL 15/A6.3.

KEY NOTES

B

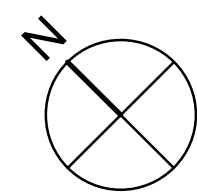


520 S. MAIN STREET, SUIT 2531
AKRON, OH 44311
330.572.2100 FAX: 330.572.2102



DATE	REMARKS
05.06.22	Issued for Permit

CONTRACT DATE: 10.06.21
BUILDING TYPE: END, MED20
PLAN VERSION: MARCH 2021
BRAND DESIGNER: WANCHO
SITE NUMBER: 0
STORE NUMBER: 0
PA/PM: AB
DRAWN BY.: RS
JOB NO.: 2020188.06



EQUIPMENT AND SEATING PLAN 1/4" = 1'-0" A

TAG	QTY	ITEM DESCRIPTION	TAG	QTY	ITEM DESCRIPTION
T-6x1e	1	GO MOBILE COUNTER			
T-6x2	1	25in. TOGO Cubby			
T-302be	1	BENCH BACK REST - 60"			
T-302e	1	BENCH SEAT - 48"			
T-303be	1	BENCH BACK REST - 60"			
T-303e	1	BENCH SEAT - 60"			
T-405e	5	LAMINATE TABLE - 24 X 20 X 30 - 2 TOP			
T-408e	1	LAMINATE TABLE ADA - 24 X 48 X 30 - 4 TOP			
T-411e	1	SS TABLE - 24 DIA X 30 - 2 TOP			
T-505e	1	COUNTER TOP - 48" X 20" X 30"			
T-506e	1	COUNTER TOP - 60" X 20" X 30"			
T-620e	1	CONDIMENT COUNTER - RECTANGLE			
T-706e	1	WASTE ENCLOSURE - SINGLE			
T-708e	1	WASTE ENCLOSURE - 3 STREAM			
T-801e	1	KIOSK 1/2 TOWER			
T-901e	17	CHAIR - LAMINATE SEAT			

FURNITURE PACKAGE - BY FURNITURE VENDOR U.O.N. E

QTY.	NAME	FAMILY	FRAME OR MURAL	SIZE	LOCATION
1	GM - LP MURAL	E	M01	13X7	SEE A8.0
1	GM - CW	E	F01	28x40	SEE A8.0
1	GM - BELL	E	F01	28x40	SEE A8.0
1	GM - ORG	E	F01	28x40	SEE A8.0
1	GM - CW2	E	F01	28x40	SEE A8.0

ARTWORK SCHEDULE D

GENERAL NOTES		C1
DECOR		
1. REFER TO SC SHEETS FOR SCOPE OF WORK RESPONSIBILITY		
2. (HC) SYMBOL DENOTES A HANDICAP ACCESSIBLE TABLE.		
STORAGE TYPE		LINEAR FT.
DRY STORAGE		50
COLD STORAGE		26
FROZEN STORAGE		12

SHELVING QUANTITIES C2

- 220 SPLASH GUARD. SEE DETAIL 9/A6.3.
- 229 ELECTRICAL PANELS.
- 251 HOOD FIRE SUPPRESSION SYSTEM (ANSUL R-102 OR EQUAL).
- 253 MAINTAIN 36" MIN. CLEAR ACCESSIBLE AISLE EGRESS PATHS TO EXIT DOORS, 32" AT DOORWAYS AND CASPED OPENINGS. (42" AISLE REQUIRED WHEN AISLE SERVES MORE THAN 50 SEATS).
- 255 ALERT LIGHT BOX FOR 3-COMP POWER SOAK.
- 256 PULL STATION @ 3'-8" A.F.F.
- 258 COORDINATE LOCATION OF HORIZONTAL PVC SYRUP CHASE THRU WALL TO COUNTER.
- 261 ROOF LADDER WITH BILCO LADDER UP SAFETY POST.
- 265 AUTOMATIC HAND SOAP AND SANITIZER DISPENSERS PROVIDED BY ECOLAB.
- 266 GAS METER.
- 267 FOR DUAL-FLEX LINE AND I-FLEX LINE SUB-EQUIPMENT SEE SHEET A8.3.

KEY NOTES B

TACO BELL
3039 Dixie Highway
Edgewood, KY 41017



**ENDEAVOR 2.0
EQUIPMENT
AND SEATING
PLAN**

A2.0

PLOT DATE: 5/5/2022 11:06:55 AM

C:\Users\miller\Documents\ARCH_L\BMD_Empage_KY\Mixed_Materials\GPD\Document

EQUIPMENT SCHEDULE



520 S. MAIN STREET, SUIT 2531
AKRON, OH 44311
330.572.2100 FAX: 330.572.2102

TAG #	C.C. INSTALL	ITEM DESCRIPTION	MFR. & MODEL NUMBER	PLUMBING	ELECTRICAL	GAS	REMARKS	TAG #	C.C. INSTALL	ITEM DESCRIPTION	MFR. & MODEL NUMBER	PLUMBING	ELECTRICAL	GAS	REMARKS	
B CONTRACTOR BUILDING ELEMENTS								S SERVING/DRIVE-THRU								
B-1x1	2	X	TANKLESS WATER HEATER	RINNAI #RUR 199N	X	X		S-024	2	X	WARMER, EVO	CARTER HOFFMAN				IMOUNT ON PRODUCTION LINE OVER SHELF
B-049	1	X	ROOF LADDER	PRECISION LADDER #PH-G2-6X3-0				S-026	1	X	HEAT CABINET - FULL HEIGHT - (1) RH	CRESCOR #H137S27D1TB		X		W/8 SHELVES EACH
B-050	1	X	ROOF HATCH	PRECISION LADDER #PH-G2-6X3-0				S-027	1	X	HEAT CABINET - FULL HEIGHT - (1) RH	CRESCOR #H137S27D1TB		X		W/ 8 RACKS
B-101	1	X	SECURITY DOOR	RSBS FACILITIES CONNECTION				S-065	1	X	DESSERT TOWER	HATCO #GRBW-24D				
B-140	1	X	DT WINDOW	QUICKSERV#SC4030BR - SELF CLOSING, RH HANDLE, OPENS RIGHT				S-204	2	X	DRIVE-THRU TIMER SYSTEM	HME #C11422TB		X		
B-241	4	X	SOAP DISPENSER (WALL MOUNT)	KAY 3741				S-254	1		CONDIMENT RACK	PRONTO #CHPW0446				
B-251	2	X	SANITIZER DISPENSER (WALL MOUNT)	KAY 3741				S-274	2	X	DRIVE-THRU BEVERAGE WORKSTATION	SPG WST1242YA				OPTIONAL: METRO
B-253	2	X	PAPER TOWEL DISPENSER/TRASH 12 GAL.	BOBRICK #B-3944				S-283	1	X	DRINK STAGER WITHOUT STRAW HOLDER	WST788E				
B-265	2	X	MIRROR, 18 x 36	BOBRICK #B-165-1836				S-284	1		BEVERAGE DISPENSER - SELF-SERVE	CORNELIUS 611057625	X	X		SEE SCOPE OF WORK (PEPSI)
B-275	2	X	TOILET PAPER DISPENSER	BOBRICK #B-2890				S-285	2		BEVERAGE DISPENSER - DRIVE THRU	SERVEND	X	X		SEE SCOPE OF WORK (PEPSI)
B-290	2	X	PAPER TOWEL DISPENSER	BOBRICK #B-262				S-286	1	X	WATER FILTER SYSTEM	SHURFLO #WB6-M3-22-003				FRANCHISEES CAN USE SELECTO #TB5/620-5
B-300	2	X	GRAB BAR 1-1/2 DIA. X 42 S.S. FIN.	BOBRICK #B6806X42				S-349	1		DRIVE-THRU PICK-UP WORKSTATION 30X42	SPG				OPTIONAL:METRO
B-305	2	X	GRAB BAR 1-1/2 DIA. X 48 S.S. FIN.	BOBRICK #B6806X48				S-375	1	X	DRINK STATION	CARTER-HOFFMAN	X			S/S, INSULATED DRAIN TROUGH, WEIGHT RATED
B-310	2	X	GRAB BAR VERTICAL 1-1/2 DIA. X 18 S.S. FIN.	BOBRICK #B6806X18				S-443	1	X	LID DISPENSER	CAL-MIL ADA TB103				
B-320	1		CHANGING STATION					S-444	1	X	NAPKIN DISPENSER	TOR XPRESSNAP #5555100				
B-381	1	X	CO2 CARBON DIOXIDE SENSOR/WARNING	LogiCO2 CO2 MK9 SENSOR		X		S-482	2		CUP DISPENSER	A.J. ATUNES #DAC560				W/ ANGLED MOUNTING BRACKET OMNITEAM CDB-DTA
B-400	1	X	WASTE BASKET - 32 GALLON	RUBBERMAID #2632 (GREY)				S-489	2		SCALE	EDLUND				10#X 10Z, ELECTRONIC, EDLUND #DS-10 CSTM, WSM #113464
B-405	7	X	WASTE BASKET					S-513	3		ICE MAKER (PLACED ON TOP OF DRINK MACHINES)	MANTOWOC, KMS-1401MLJ	X	X		W/ROOF MOUNTED CONDENSERS HOSHIZAKI FRANCHISEES CAN USE HOSHIZAKI KMS-1230
B-406	1	X	WASTE BASKET	RUBBERMAID 28 QT #2956 (BLACK)				S-540	1		PEPSI BOOSTER TANK		X	X		SEE SCOPE OF WORK (PEPSI)
B-410	1	X	SANITARY NAPKIN RECEPTACLE	RUBBERMAID #6140				S-544	6		ICE TEA URN	BUNN/TDO-N-3.5				
B-599	1	X	MOP SINK SHELIVING	SPG #WST806Y				S-546	2	X	ICED TEA BREWER	TETLEY TB30	X	X		
C COOKING EQUIPMENT								U SECURITY/COMMUNICATIONS/FIRE PROTECTION/POS								
C-079	1	X	DUAL FRYER	FRYMASTER #2FOG30U		X	X	S-600	6		BUNDLED SYRUP LINES	CORNELIUS/REMCOR TUBE BUNDLE	X			SEE SCOPE OF WORK (PEPSI)
C-107	1	X	REHEATER	PITCO #TB-SRTG14-2		X	X	S-739	2	X	FROZEN BEVERAGE DISPENSER, REMOTE	FBD #12-7362-00021	X	X		MUST ORDER REMOTE CONDENSER S-739A FREEZE TRANSFORMER
C-197	2	X	TOASTER, SPLIT LID	PROLUXE SL1266TB		X		S-739A	1	X	FREEZE TRANSFORMER					
C-254	2	X	CHEESE MELTER (SINGLE)	A.J. ANTUNES #CM-100		X	X	S-740	1	X	FROZEN BEVERAGE CONDENSER, REMOTE	FBD #12-3003-0006	X	X		40 IN X 17 IN X 21 IN 208 SINGLE PHASE 2 WIRE 15 AMP, 105LB
C-400	2	X	REHEATER/TIMER	FAST #TBZAP12120V		X										
E EXHAUST HOODS/FIRE SUPPORT								W WALK-IN COOLERS/FREEZERS								
E-108	1	X	STROTEVENT 106 IN. H X 111 IN. L BACK SPLASH	STROTEVENT MODEL #BACKSPLASH106X111FLA		X		W-059	1	X	WALK-IN	ICS/NORLAKE #105181	X	X		COMBO, TB, #105181, BUDGETARY 19-4X7X9-2 OAD, MEDIUM BUILDING PROTOTYPE, INCLUDES LED
E-272	1	X	TIMER OUTLET			X										
F OFFICE/EMPLOYEE/MUSIC/MISCELLANEOUS								R REFRIGERATION								
F-014	1	X	FILE CABINET (2 DRAWER HIGH) 18X36X27H	HON #582LL				R-209	1		FRY STATION REACH-IN FREEZER (RIGHT HINGED)	DELFIELD #GBF1P-SH-TB2	X	X		OPTION: LEFT HINGED VERSION - DELFIELD #GBF1P-SH-K-TB2
F-021	1	X	CHAIR - OFFICE	HON #4609AB10				K-132	1		CART, CLOSING MADE SIMPLE	SPG / ISS (Alternate: METRO)				#WST1434Y
F-022	1	X	LICENSE FRAME (BLACK)	CREATIVE PALETTE TB30		X		K-210	1		PREP SINK WORKSTATION 50 TRACK	SPG / ISS (Alternate: METRO)				#WST255E, Wall Trax System for 1-Comp Sink, 16X50X40 + ACC
F-026	1	X	DESK LAMP	TBD				K-221	1	X	3 COMP SINK WORKSTATION 96 TRACK	SPG / ISS (Alternate: METRO)				#DS1F, Wall Trax System for 3 Comp Sink, (3) 18X24 GRIDS + ACC
F-030	1	X	COAT HOOK	ISS #HOOK246R2Y		X		K-383	1		FRY WORKSTATION 30D x 78H x 36 in.	SPG / ISS (Alternate: METRO)				#WST1724E, 36 in. Crispy Frystation
F-040	1		OFFICE COMPUTER	POS PROVIDED		X		K-420	1		SHELF, BEV PLATFORM 18X24	SPG / ISS (Alternate: METRO)				#WST34Y: F/CARBONATOR, & OR RECIRC PUMP
F-050	1		CREDIT CARD SATELLITE ROUTER JUNCTION					K-490	2		SHELVING 18x24x24, 2-TIER	SPG / ISS (Alternate: METRO)				#WST440Y
F-060	1		MONITOR - OFFICE	YUM				K-522	2		SHELVING, 18x60x76, 5-TIER, SMALL PACKAGING	SPG / ISS (Alternate: METRO)				#WST1548Y
F-080	1		OFFICE PRINTER/COPIER/FAX/SCANNER	POS PROVIDED		X		K-523	2		SHELVING, 18x60x76, 3-TIER, CUP & LID	SPG / ISS (Alternate: METRO)				#WST1580Y
F-090	5		UPS (UN-INTERRUPTABLE POWER SUPPLY)	POS PROVIDED		X		K-602	8		SHELVING, 18x36x86, 5-TIER, DRY STORAGE	SPG / ISS (Alternate: METRO)				#WST238Y
F-102	1	X	MONEY COUNTER	TELLERMATE #TIXR3000		X		K-607	1		SHELVING	SPG / ISS (Alternate: METRO)				
F-131	1		SPEAKERS	MOOD MEDIA LOCAL LEASE				K-657	2	X	SHELVING 24x72x86, 5-TIER	SPG / ISS (Alternate: METRO)				#SU247285Y: WALK-IN COOLER 24X72X86
F-165	2	X	FRONT LOAD SAFE	PERMA VAULT #PRO-10TM				K-698	3		SHELVING 18X24X74, 5-TIER	SPG / ISS (Alternate: METRO)				#SU186075Y
F-174	1		SAFE WITH TOUCH SCREEN CONTROLS					K-699	6		SHELVING 18x60x74, 5-TIER	SPG / ISS (Alternate: METRO)				#SU186075Y
F-211	1	X	CLOCK	B&B SYSTEMS #02100100												
F-262	1	X	6 COUNT EMPLOYEE LOCKERS E76000235	LYON WORKPLACE 12" X 18" X 78" GREY		X										
F-270	1	X	FIRST AID KIT	PROSTAT FIRST AID LCC #2617		X										
F-500	1		STACKABLE HIGH CHAIR													
F-504	1		DVR & MONITOR													
F-915	2		FLOOR MAT	CREWSAFE, ENTRANCE I #41150012												
F-920	1		RUBBER MAT	CREWSAFE, WSM#800507												
K WORKSTATIONS/SHELVING/CARTS								L LIGHTING/SIGNAGE/MENUBOARDS								
L-043	1		DIGITAL MENU BOARD	STRATACACHE LG 43" DISPLAY		X										
L-150	1	X	SECURITY DOOR DANGER SIGN	ADVERCO#ADVCUSTOM												
N SINKS/DISHWASHER								P FOOD PREPARATION								
N-043	1	X	3-COMP POWER SOAK 102	UNIFIED #PS6750		X	X	P-147	2		BUNN COFFEE BREWER	MCA BLK Single Serve #35400.0005		X		
N-062	2	X	STAINLESS STEEL WALL MOUNTED SINK WITH FAUCET	AERO #HS-MOD		X		P-315	1	X	REVERSE OSMOSIS SYSTEM	3M #56123-06, FSTM-075		X		INSTALL OVER FLOOR SINK
N-071	1	X	MOP SINK FAUCET	T&S B-2465		X		P-362B	1	X	FLEX DUAL LINE	FRANKE		X	X	
N-130	1	X	1 COMP PREP SINK FAUCET	T&S B-0831-WA		X		P-417	1	X	8-CHANNEL TIMER	FAST #KTRACK2X4TB		X		
N-141	2	X	WALL MOUNTED LAVATORY	AMERICAN STANDARDS BRAND		X		P-452	2	X	HOT WATER SYSTEM	BUNN-MACHINE #43600.0014	X	X		Each System= Water Heater #43600.0014, Bracket #13125.0003, Shelf#12599.0000, Scale Inhibitor #39000.0001
N-146	2	X	FAUCET (RESTROOMS)	T&S FAUCET B-0831-WA		X		P-541	1		STORAGE BINS	B&B SYSTEMS #03070100				
N-171	1		LEVER WASTE DRAIN					P-550	1	X	KNIFE RACK	EDLUND #KR-699				
N-208	1	X	MOP SINK	AERO #3MP-2121-6/1P		X		P-673	1		WORK TABLE					
N-698	1	X	1 COMP PREP SINK 53W X 27D X 35 1/2H	AERO #2F1211617LR		X										

DATE	REMARKS
05.06.22	Issued for Permit

CONTRACT DATE: 10.06.21
BUILDING TYPE: END, MED20
PLAN VERSION: MARCH 2021
BRAND DESIGNER: WANCHO
SITE NUMBER: 0
STORE NUMBER: 0
PA/PM: AB
DRAWN BY.: RS
JOB NO.: 2020188.06

TACO BELL
3039 Dixie Highway
Edgewood, KY 41017



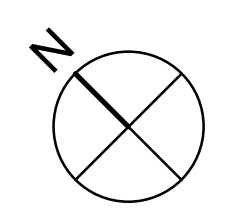
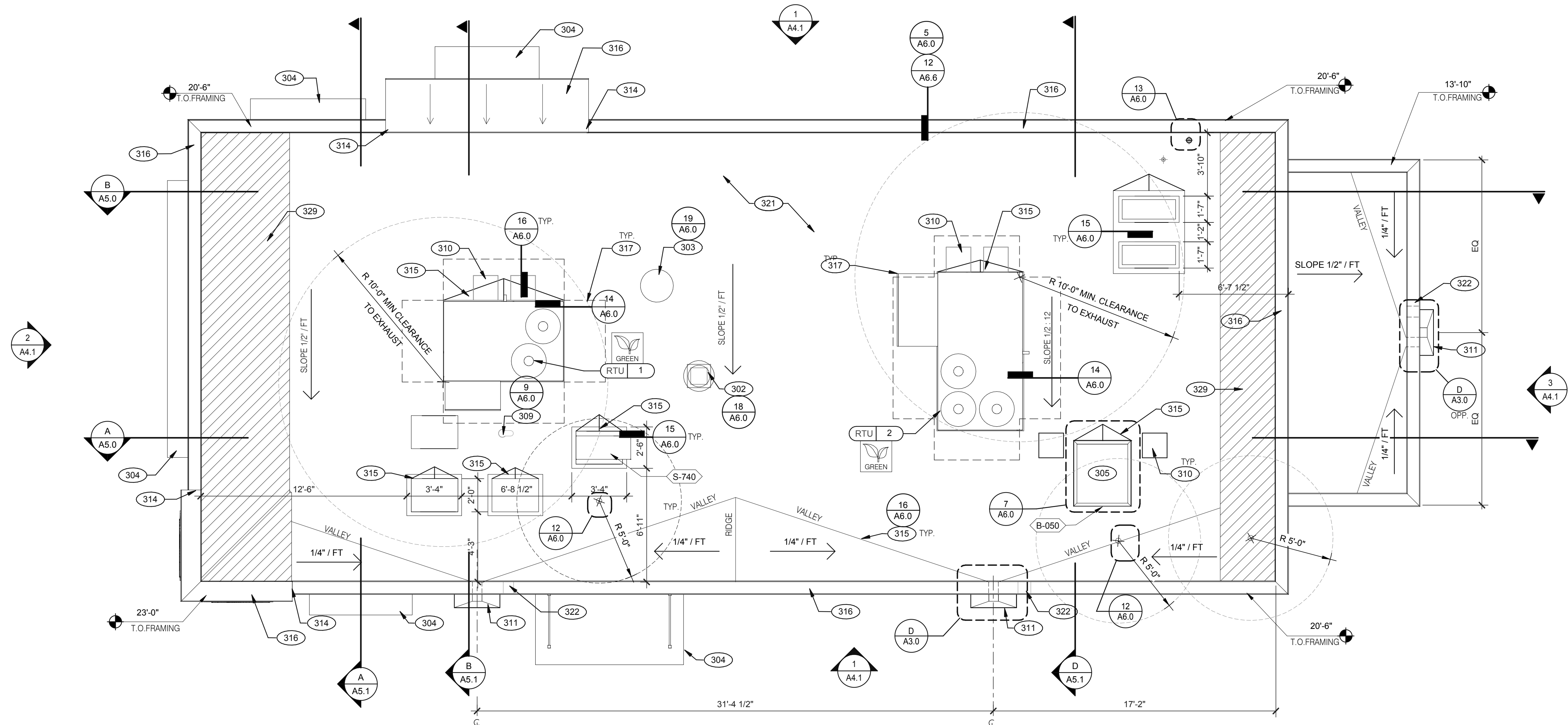
ENDEAVOR 2.0 EQUIPMENT SCHEDULE

A2.1

C:\Users\matt\Documents\ARCH_1\2022_Empire_KY\Material_Materials\CD\020000.rvt



520 S. MAIN STREET, SUIT 2531
AKRON, OH 44311
330.572.2100 FAX: 330.572.2102



ROOF PLAN 1/4" = 1'-0" **A**

DATE	REMARKS
05.06.22	Issued for Permit

CONTRACT DATE: 10.06.21
BUILDING TYPE: END, MED20
PLAN VERSION: MARCH 2021
BRAND DESIGNER: WANCHO
SITE NUMBER: 0
STORE NUMBER: 0
PA/PM: AB
DRAWN BY.: RS
JOB NO.: 2020188.06

TACO BELL

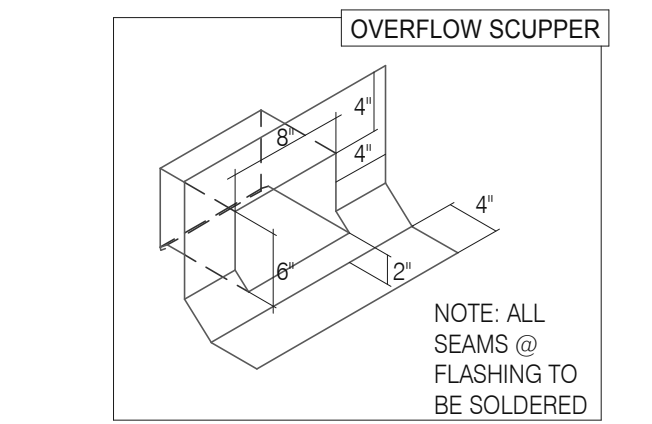
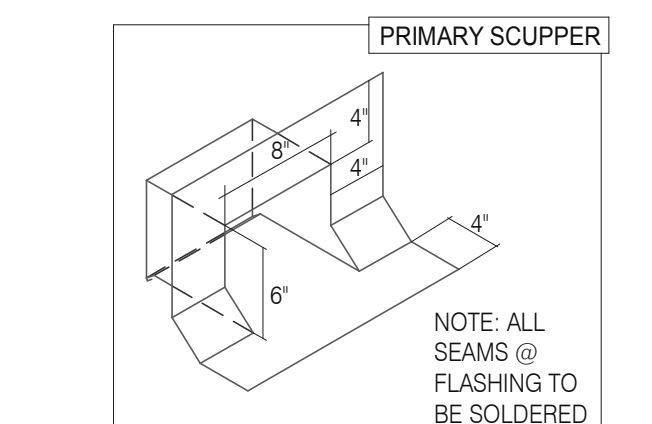
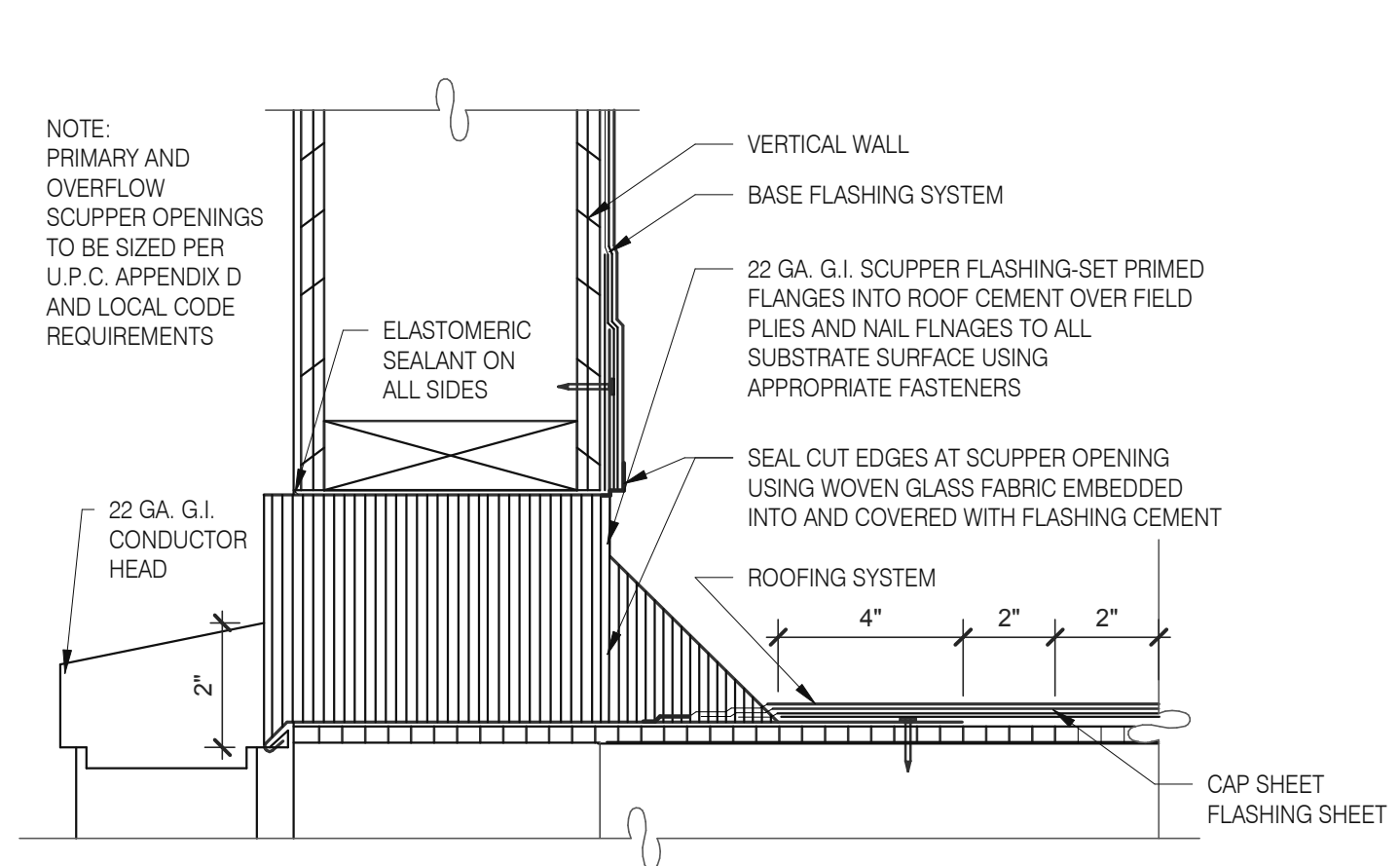
3039 Dixie Highway
Edgewood, KY 41017



ENDEAVOR 2.0 ROOF PLAN

A3.0

PLOT DATE: 5/5/2022 11:07:24 AM



* DESIGN AND SIZE PER LOCAL REQUIREMENTS

SCUPPER FLASHING **D**

WATERPROOFING:
A. PAINT UNDERSIDE OF PARAPET CAP FLASHING WITH FACTORY BONDED PAINT GRIP OR PRIMER
B. TOP NAILING AT PARAPET CAP FLASHING WILL NOT BE ACCEPTED
C. PENETRATIONS IN ROOFING MEMBRANE AND FLASHING SHALL ONLY BE MADE AS INDICATED ON THE DRAWINGS OR SPECS.
D. SEE SPECIFICATIONS FOR SEALANT SPECS.
E. ALL SHEETS MTL FLASHING SHALL BE 22 GA MIN.

MISCELLANEOUS:
A. ROOF PENETRATIONS CLOSER THAN 12' FROM ANOTHER WILL NOT BE ALLOWED.
B. EXHAUST FANS MIN. 10'-0" AWAY FROM ALL AIR INTAKE / SUPPLY
C. LOCATE WALK-IN CONDENSERS ON ROOF ONLY IF REQUIRED BY CODE.

ROOF PLAN NOTES **C**

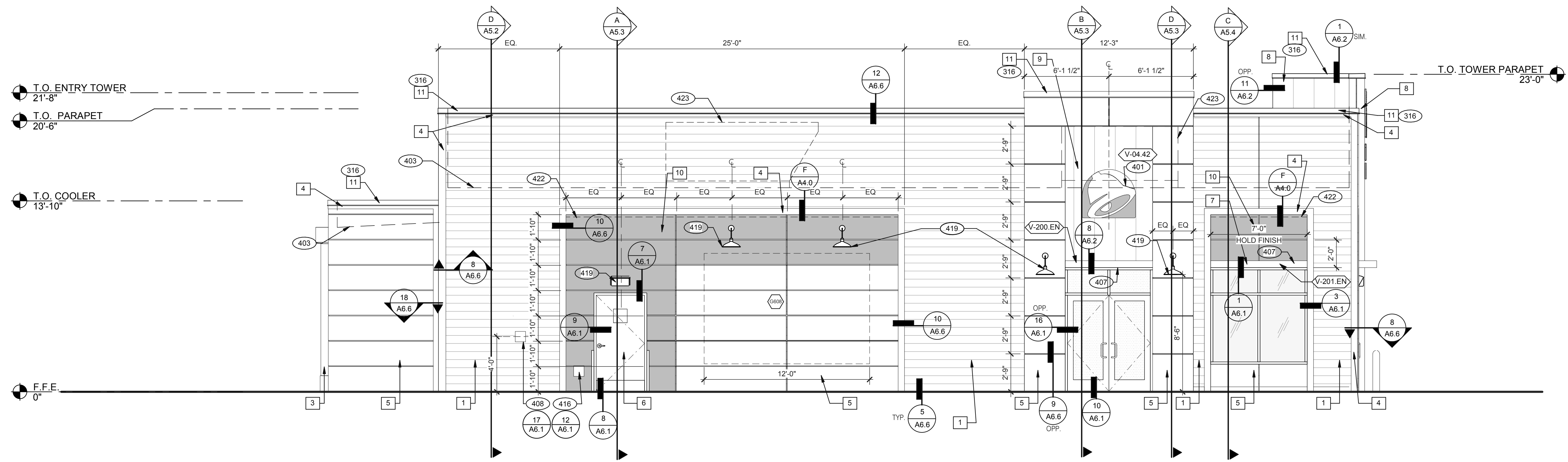
- 302 KITCHEN HOOD EXHAUST FAN. SEE SHEETS M3.0 AND DETAIL 19/A6.0.
- 303 RESTROOM EXHAUST FAN. SEE MECHANICAL DRAWINGS AND DETAIL 18/A6.0.
- 304 CANOPY, BY SIGNAGE VENDOR. SEE SCOPE OF WORK.
- 305 ROOF HATCH. SEE DETAIL 7/A6.0.
- 309 PIPE HOOD FOR UTILITIES. SEE DETAIL 9/A6.0.
- 310 24x36 WALK MATS. SEE ROOF SPECS.
- 311 SCUPPER AND DOWNSPOUT. SEE DETAIL D/A3.0.
- 314 CHANGE IN PARAPET ELEVATION. SEE SECTION 13/A6.1.
- 315 ROOF CRICKET.
- 316 METAL PARAPET CAP.
- 317 MAINTAIN MANUFACTURERS ROOFTOP UNIT MAINTENANCE CLEARANCE.
- 321 "DURO-LAST" SINGLE PLY ROOF MEMBRANE OVER MINIMUM R-35 RIGID INSULATION BOARD OVER 5/8" APA RATED EXTERIOR GRADE PLYWOOD OVER TRUSSES. INSTALL PER MANUFACTURER'S SPECIFICATIONS.
- 322 OVERFLOW SCUPPER. SEE DETAIL D/A3.0.
- 329 KICKERS. SEE STRUCTURAL DRAWINGS

KEY NOTES **B**

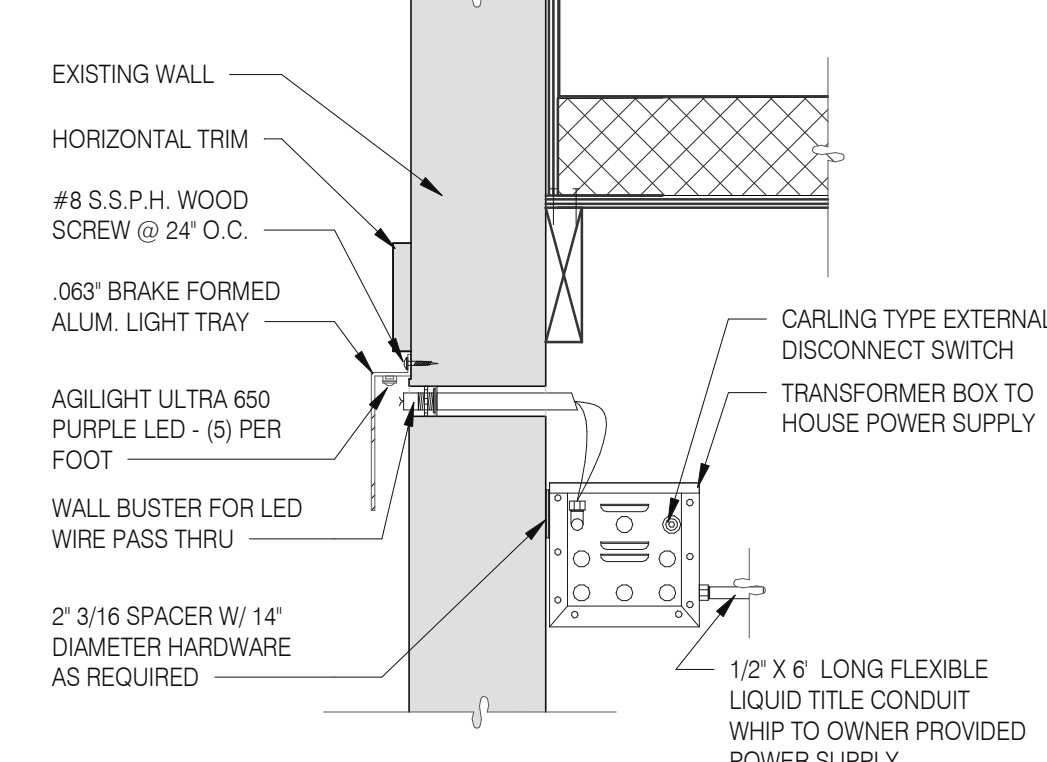
C:\Users\miller\Documents\ARCH_L\BMO_Empire_KY\Mixed_M\BelleGPD\Drawings



520 S. MAIN STREET, SUIT 2531
AKRON, OH 44311
330.572.2100 FAX: 330.572.2102



LEFT ELEVATION 1/4" = 1'-0" 1



LED WALL WASHER DETAIL F

TYPE MARK	QTY	ITEM DESCRIPTION	LOC
TOWER			
V-09.14W	2	14' WHITE CHANNEL LETTERS VERTICAL	A4.1
V-04.42	2	42" SWINGING BELL PURPLE LOGO FACE LIT	A4.1
SIDE ENTRY			
V-04.42	1	42" SWINGING BELL PURPLE LOGO FACE LIT	A4.0
V-200.EN	1	SIDE ENTRY AWNING 6' 3" L X 6' H X 3' 0" D BLACK	A4.0
DRIVE THRU			
V-101.DT	1	DT AWNING (OVER DT) 9' 0" X 4' 0" BLACK	A4.1
EYEBROW AWNINGS			
V-201.EN	1	SIDE ENTRY EYEBROW (WINDOW) 6' 11" L X 6' H X 1' 4" D BLACK	A4.0
V-202.EN	1	FRONT EYEBROW (WINDOW) 16' 9" L X 6' H X 1' 4" D BLACK	A4.1
V-203.EN	1	DT EYEBROW (WINDOW) 6' 2" L X 6' H X 1' 4" D BLACK	A4.1

SIGNAGE E

MISCELLANEOUS
A. SEE SHEET A1.1 'WINDOW TYPES' FOR WINDOW ELEVATIONS.

SEALERS (REFER TO SPECS)
A. SEALANT AT ALL WALL AND ROOF PENETRATIONS.
B. SEALANT AT ALL WINDOW AND DOOR FRAMES AND JAMB. DO NOT SEAL SILL @ WINDOWS.
C. APPLY NEOPRENE GASKET (CONT.) BETWEEN BUILDING AND CANOPY.

CRITICAL DIMENSIONS
A. REQUIRED CLEAR OPENING WIDTH TO ENSURE COORDINATION WITH STANDARD SIGNAGE/BUILDING ELEMENTS DIMENSIONS.

NOTE: NO EXTERIOR SIGNS ARE WITHIN THE SCOPE OF WORK COVERED BY THE BUILDING PERMIT APPLICATION. THE GENERAL CONTRACTOR SHALL BE RESPONSIBLE FOR COORDINATING THE INSTALLATION OF ALL EXTERIOR SIGNS AND INSTALLATION OF REQUIRED BLOCKING AND ELECTRICAL CONNECTIONS FOR FINAL APPROVED SIGNS.

GENERAL NOTES D

QTY.	NAME	FAMILY	SIZE	LOCATION
1	GM - EXT1	E	M03 12X8'	SEE A4.0
1	GM - SKIP THE LINE	E	M02 48x96'	SEE A4.1
1	GM - ORDER AHEAD	E	M02 48x96'	SEE A4.1

THIS MURAL WILL BE PRINTED ON THREE SECTIONS OF EXPRESSION PANEL MATERIAL AND ASSEMBLED INTO ONE LARGE FRAME AND MOUNTED ON WALL.

EXTERIOR ARTWORK SCHEDULE C

PAINTING
APPLICATOR MUST DO THEIR DUE DILIGENCE WITH PREPARATION.
PRIMER: 1 COAT SW A24W8300
FINISH: 2 COATS SW A82-100 SERIES, MATCH COLORS FROM MATERIAL SCHEDULE.
A-100 EXTERIOR LATEX SATIN.

PAINT NOTES A

SYMBOL	ITEM/MATERIAL	MANUFACTURER	MATERIAL SPEC	COLOR	CONTACT INFORMATION
1	SIDING	JAMES HARDIE	ARTISAN V-GROOVE 144" L X 8 25"W, 7" EXPOSURE COMES PRIMED FOR PAINT	WORLDLY GRAY (SW7043), SEMI-GLOSS	SEE C / A 7.2
2	SCUPPERS	-	-	WORLDLY GRAY (SW7043), SEMI-GLOSS	
3	DOWN SPOUTS	-	-	WORLDLY GRAY (SW7043), SEMI-GLOSS	
4	HARDIE TRIM	JAMES HARDIE	HARDIE TRIM 5/4 SMOOTH 1"x5.5'	CYBERSPACE (SW7076), SEMI-GLOSS	SEE C / A 7.2
5	HARDIE REVEAL PANEL	JAMES HARDIE	REVEAL PANEL SYSTEM	CYBERSPACE (SW7076), SEMI-GLOSS	SEE C / A 7.2
6	HOLLOW METAL DOOR	-	-	SW PURPLE TB2603C, SEMI-GLOSS	
7	AWNINGS	SIGNAGE VENDOR	-	BLACK BY THE SIGNAGE VENDOR	
8	CORNER TOWER	WESTERN STATE	T-GROOVE 24GA PAINTED 18" PANEL	WEATHERED RUSTIC	SEE C / A 7.2
9	RECESS OF SIDE ENTRY PORTAL	WESTERN STATE	T-GROOVE 24GA PAINTED 18" PANEL	WEATHERED RUSTIC	SEE C / A 7.2
10	HARDIE REVEAL PANEL	JAMES HARDIE	REVEAL PANEL SYSTEM	SW PURPLE TB2603C, SEMI-GLOSS	SEE C / A 7.2
11	METAL PARAPET CAP	-	24GA GALVANIZED	CYBERSPACE (SW7076) KYNAR 500 COATING	

EXTERIOR FINISH SCHEDULE G

- 316 METAL PARAPET CAP.
- 401 BUILDING SIGN BY VENDOR. REQUIRES ELECTRICAL, SEE ELECTRICAL PLANS.
- 403 DASHED LINE INDICATES ROOF BEYOND.
- 407 METAL CANOPIES BY VENDOR. REQUIRES ELECTRICAL, SEE ELECTRICAL PLANS.
- 408 CO2 FILLER VALVE & COVER.
- 416 HOSE BIBB BOX AT 18" A.F.F. SEE PLUMBING DRAWINGS.
- 419 EXTERIOR LIGHT FIXTURE. SEE ELECTRICAL DRAWINGS.
- 422 PURPLE LIGHT WALL WASHER, PROVIDED BY SIGNAGE VENDOR, REQUIRES ELECTRICAL, SEE ELECTRICAL PLANS.
- 423 OUTLINE OF RTU BEYOND.

KEY NOTES B

DATE	REMARKS
05.06.22	Issued for Permit

CONTRACT DATE: 10.06.21
BUILDING TYPE: END, MED20
PLAN VERSION: MARCH 2021
BRAND DESIGNER: WANCHO
SITE NUMBER: 0
STORE NUMBER: 0
PA/PM: AB
DRAWN BY.: RS
JOB NO.: 2020188.06

TACO BELL

3039 Dixie Highway
Edgewood, KY 41017



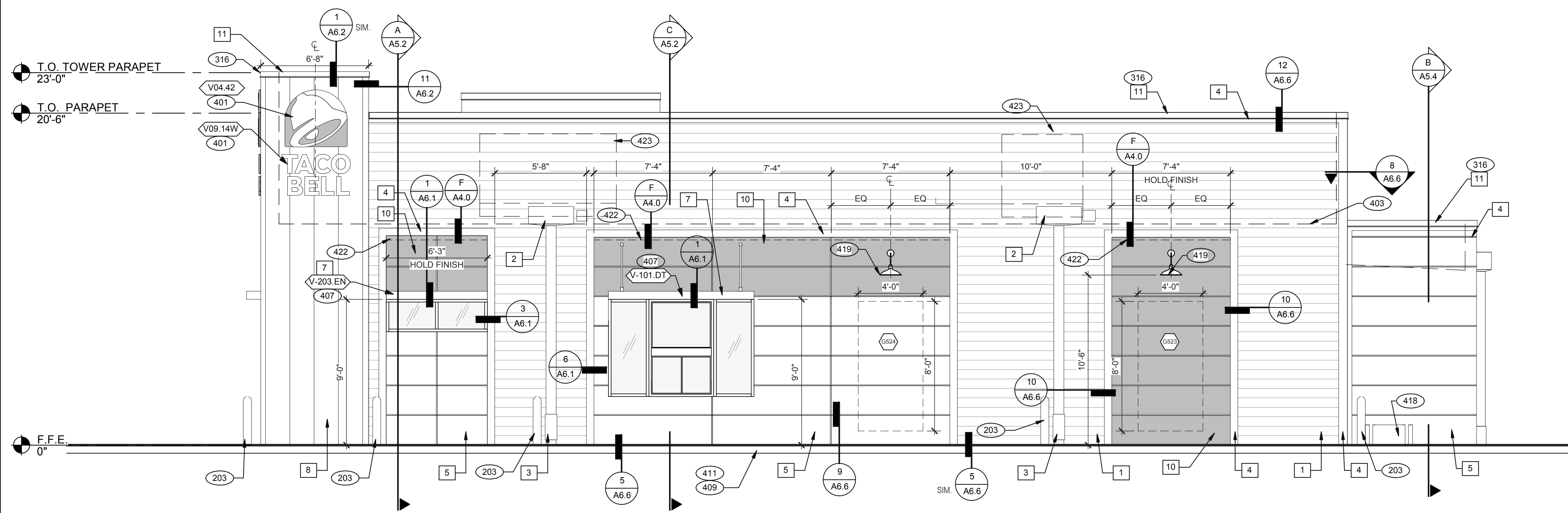
ENDEAVOR 2.0
EXTERIOR
ELEVATIONS

A4.0

PLOT DATE: 5/5/2022 11:07:46 AM



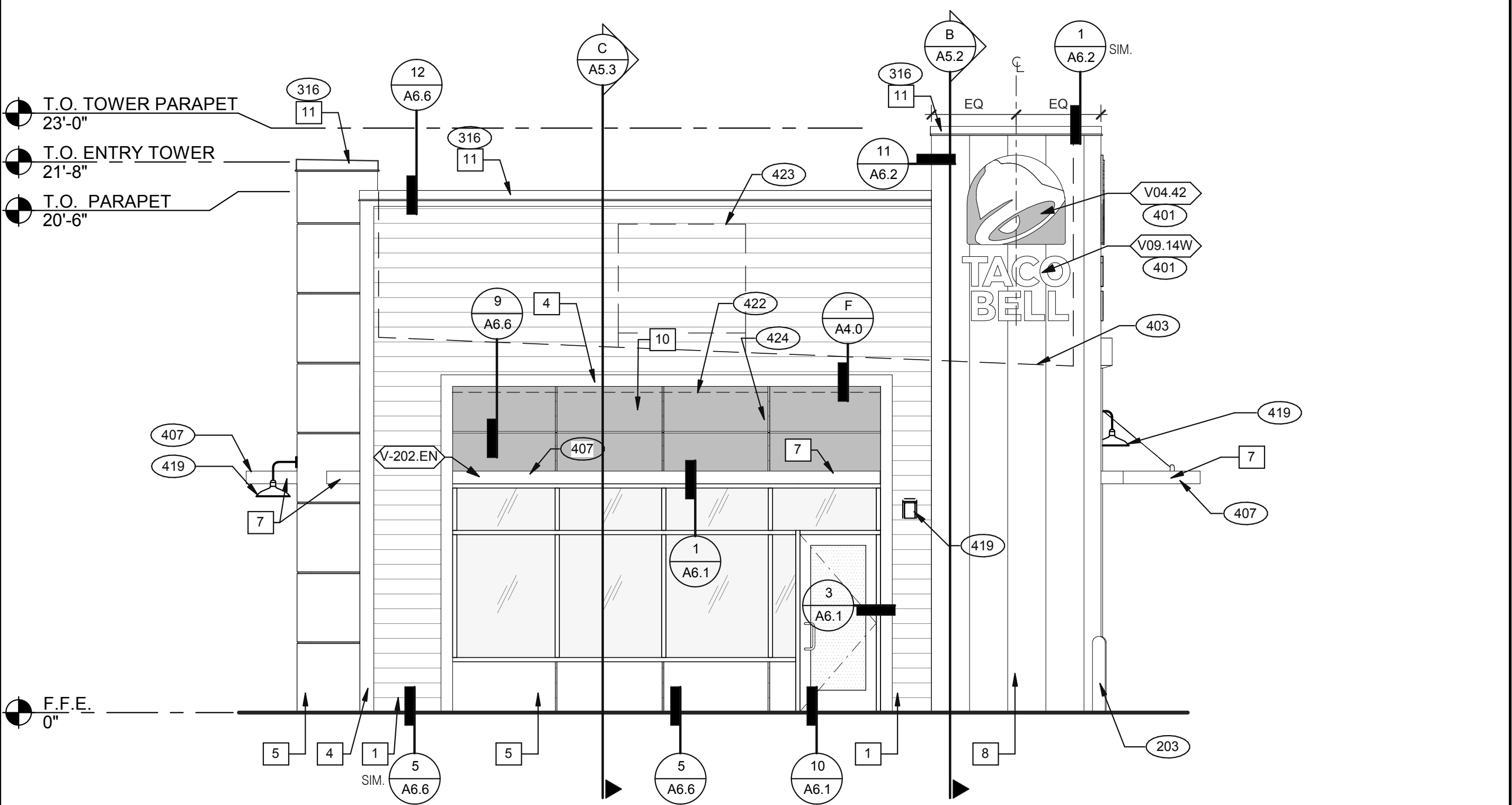
520 S. MAIN STREET, SUIT 2531
AKRON, OH 44311
330.572.2100 FAX: 330.572.2102



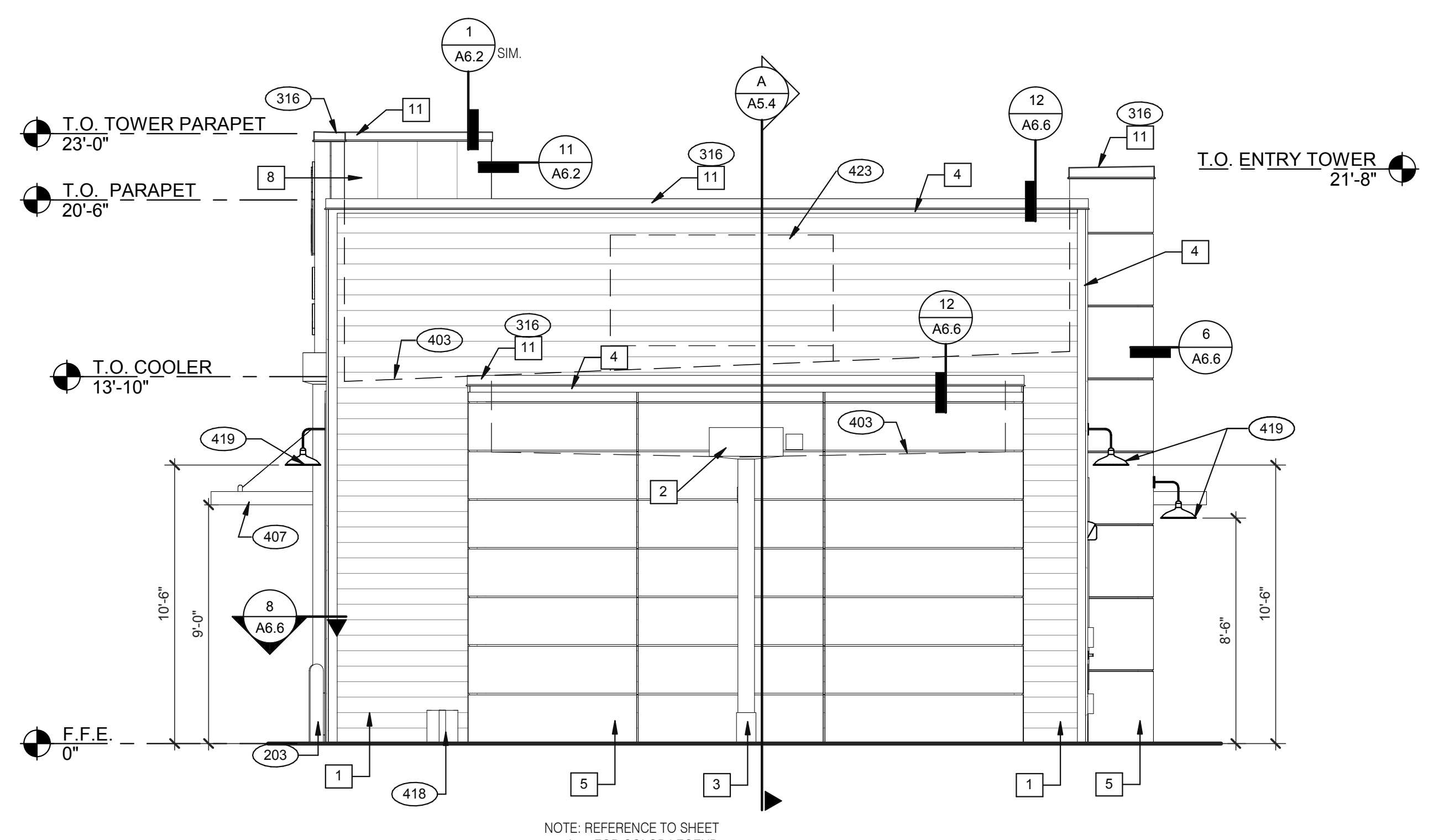
RIGHT SIDE ELEVATION 1/4" = 1'-0" **1**

- SEE SHEET A4.0 FOR FINISH SCHEDULE
- 203 PIPE BOLLARD. SEE CIVIL DRAWINGS.
 - 316 METAL PARAPET CAP.
 - 401 BUILDING SIGN BY VENDOR. REQUIRES ELECTRICAL. SEE ELECTRICAL PLANS.
 - 403 DASHED LINE INDICATES ROOF BEYOND.
 - 407 METAL CANOPIES BY VENDOR. REQUIRES ELECTRICAL. SEE ELECTRICAL PLANS.
 - 409 ASSUME D/T LANE SURFACE IS 6" BELOW THE FINISH FLOOR. REFER TO GRADING & SITE PLAN.
 - 411 CONCRETE CURB.
 - 418 GAS METER.
 - 419 EXTERIOR LIGHT FIXTURE. SEE ELECTRICAL DRAWINGS.
 - 422 PURPLE LIGHT WALL WASHER, PROVIDED BY SIGNAGE VENDOR. REQUIRES ELECTRICAL. SEE ELECTRICAL PLANS.
 - 423 OUTLINE OF RTU BEYOND.
 - 424 ALIGN REVEAL WITH VERTICAL MULLION.

KEY NOTES **A**



FRONT ELEVATION 1/4" = 1'-0" **2**



NOTE: REFERENCE TO SHEET A4.0 FOR COLOR LEGEND

REAR ELEVATION 1/4" = 1'-0" **3**

DATE	REMARKS
05.06.22	Issued for Permit

CONTRACT DATE: 10.06.21
BUILDING TYPE: END. MED20
PLAN VERSION: MARCH 2021
BRAND DESIGNER: WANCHO
SITE NUMBER: 0
STORE NUMBER: 0
PA/PM: AB
DRAWN BY.: RS
JOB NO.: 2020188.06

TACO BELL
3039 Dixie Highway
Edgewood, KY 41017



**ENDEAVOR 2.0
EXTERIOR
ELEVATIONS**

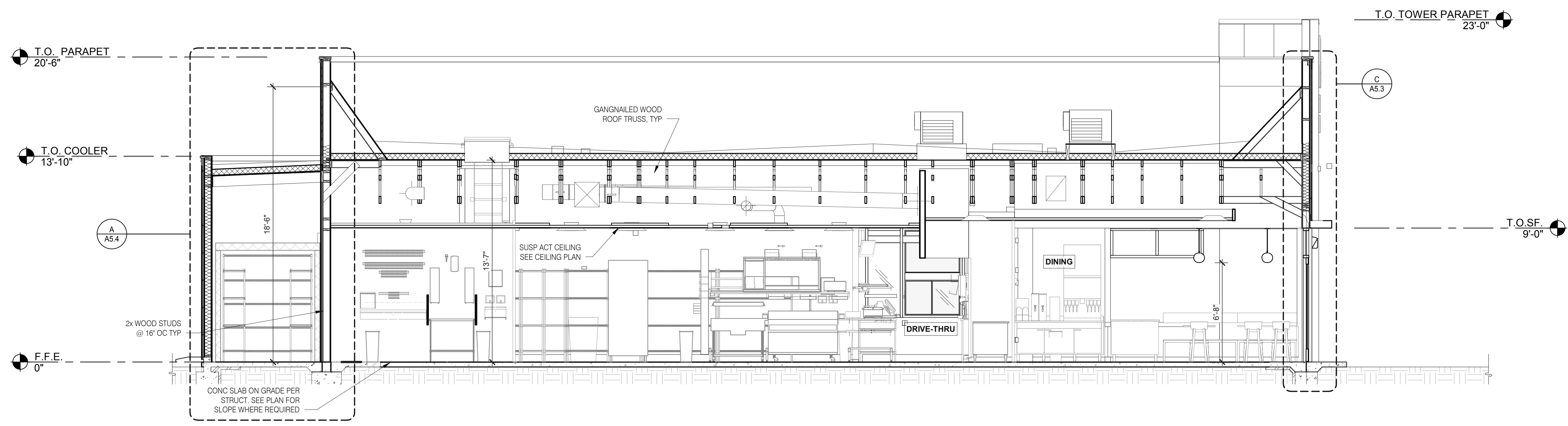
A4.1

PLOT DATE: 5/5/2022 11:08:25 AM

C:\Users\miller\Documents\ARCH_L\2022_Elevation_KY\Mixed_Materials\GPD\Drawings



520 S. MAIN STREET, SUIT 2531
AKRON, OH 44311
330.572.2100 FAX: 330.572.2102



NORTH/SOUTH BUILDING SECTION 2 1/4" = 1'-0" **A**

DATE	REMARKS
05.06.22	Issued for Permit

CONTRACT DATE: 10.06.21
BUILDING TYPE: END. MED20
PLAN VERSION: MARCH 2021
BRAND DESIGNER: WANCHO
SITE NUMBER: 0
STORE NUMBER: 0
PA/PM: AB
DRAWN BY.: RS
JOB NO.: 2020188.06

TACO BELL

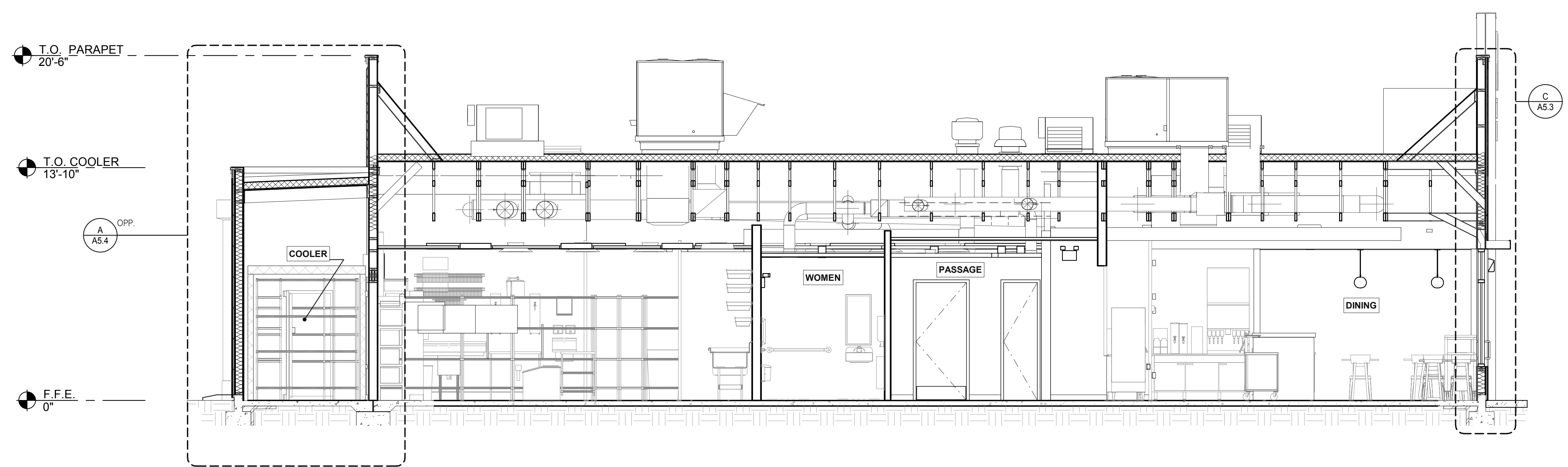
3039 Dixie Highway
Edgewood, KY 41017



**ENDEAVOR 2.0
BUILDING
SECTIONS**

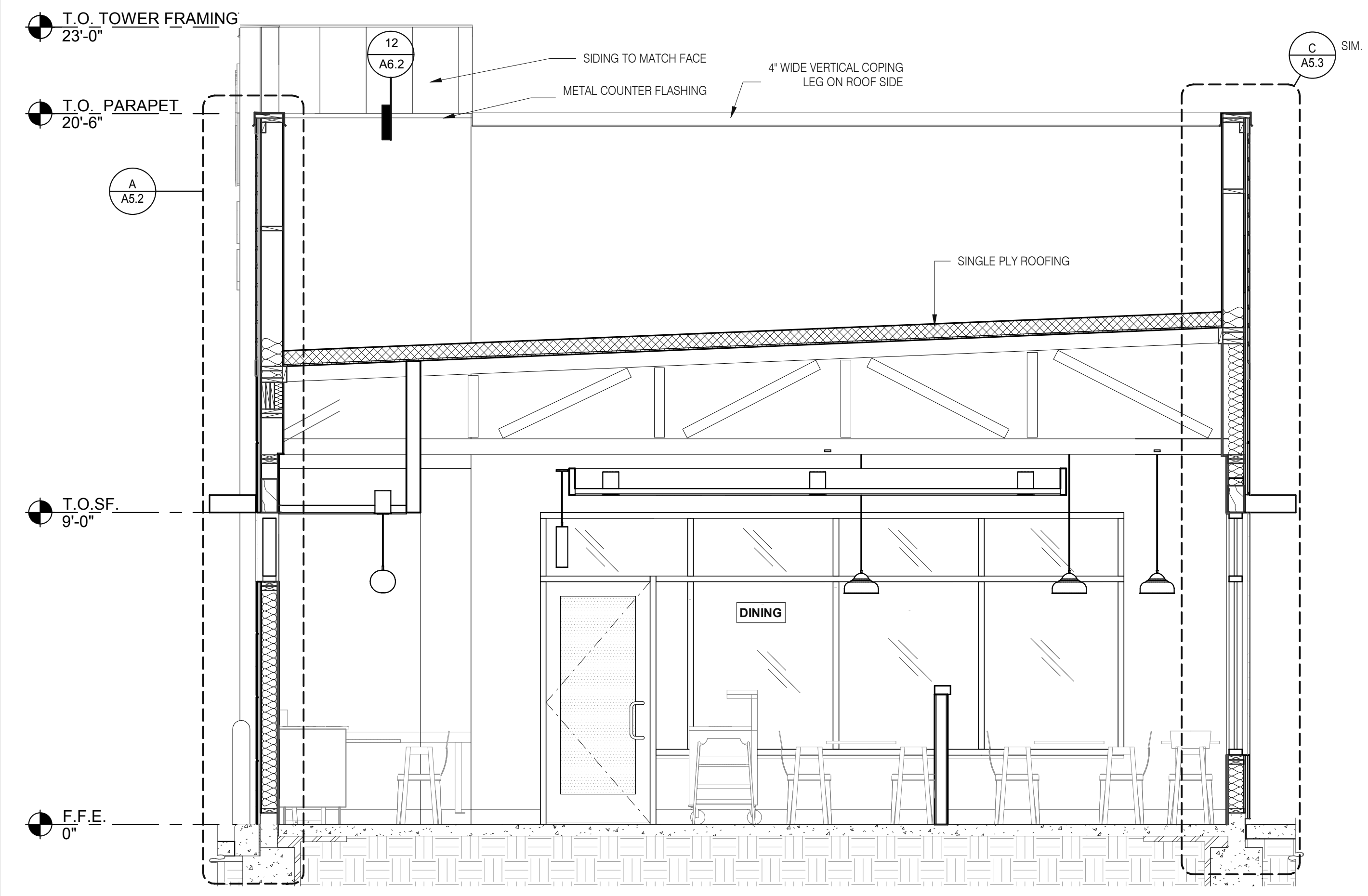
A5.0

PLOT DATE: 5/5/2022 11:09:15 AM

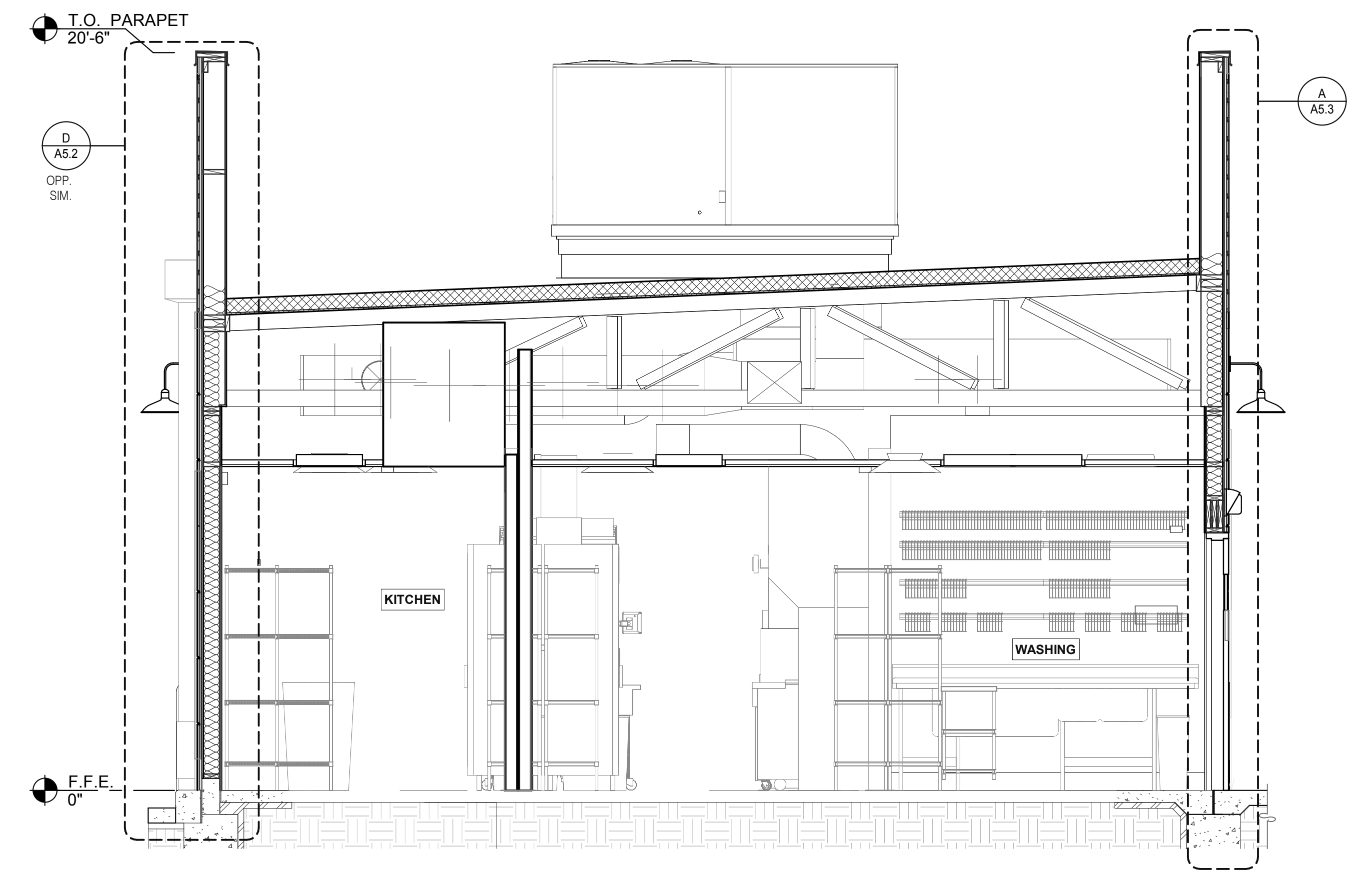


NORTH/SOUTH BUILDING SECTION 1 1/4" = 1'-0" **B**

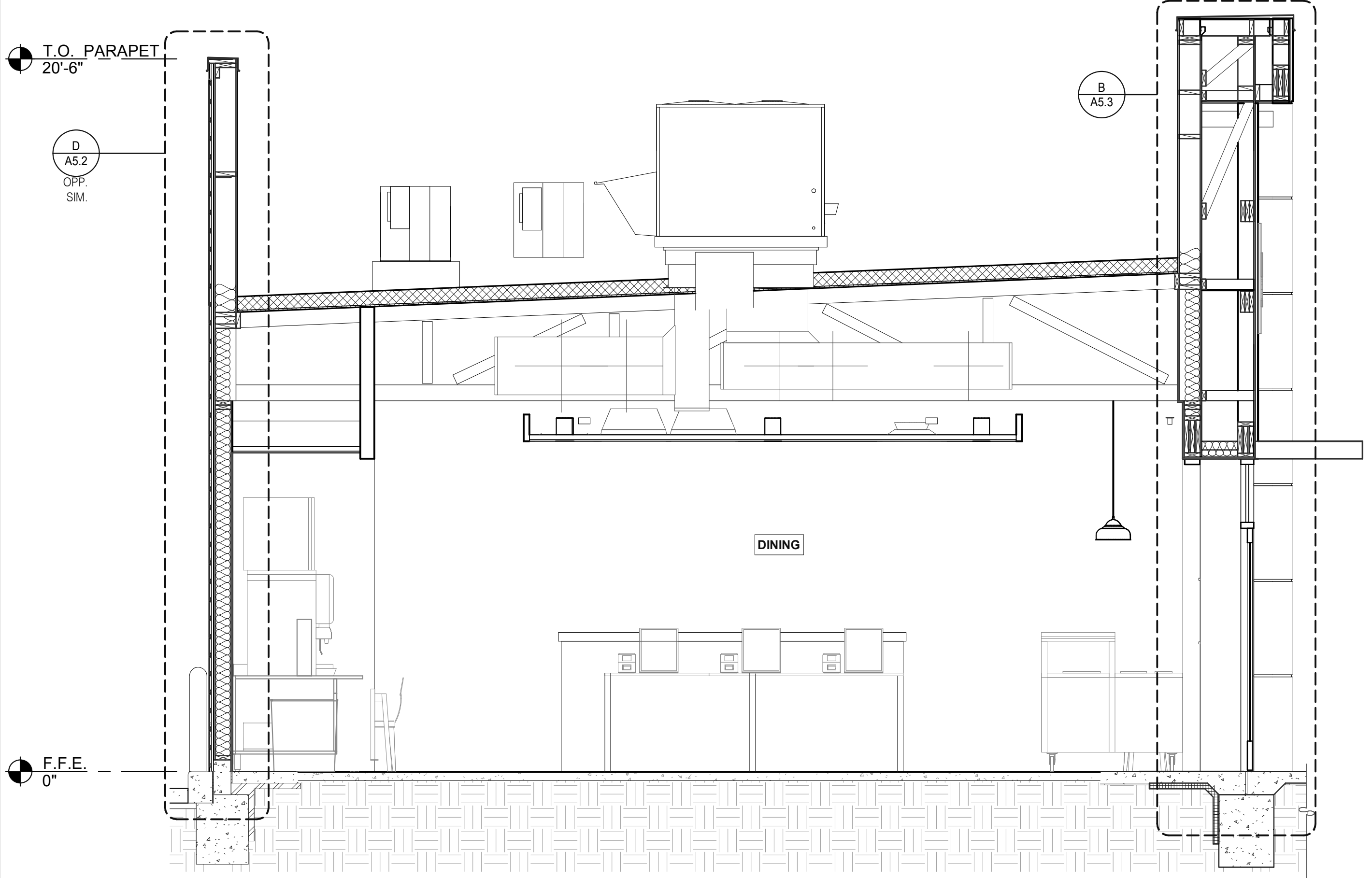
C:\Users\miller\Documents\ARCH_L\BMO_E\Images\KY\Mixed\JTB\Arch\GPD\Drawings



LEFT TO RIGHT BUILDING SECTION 5 3/8" = 1'-0" A



A51_LEFT TO RIGHT BUILDING SECTION 4 3/8" = 1'-0" D



LEFT TO RIGHT BUILDING SECTION 3 3/8" = 1'-0" B

DATE	REMARKS
05.06.22	Issued for Permit

CONTRACT DATE: 10.06.21
 BUILDING TYPE: END. MED20
 PLAN VERSION: MARCH 2021
 BRAND DESIGNER: WANCHO
 SITE NUMBER: 0
 STORE NUMBER: 0
 PA/PM: AB
 DRAWN BY.: RS
 JOB NO.: 2020188.06

TACO BELL
 3039 Dixie Highway
 Edgewood, KY 41017



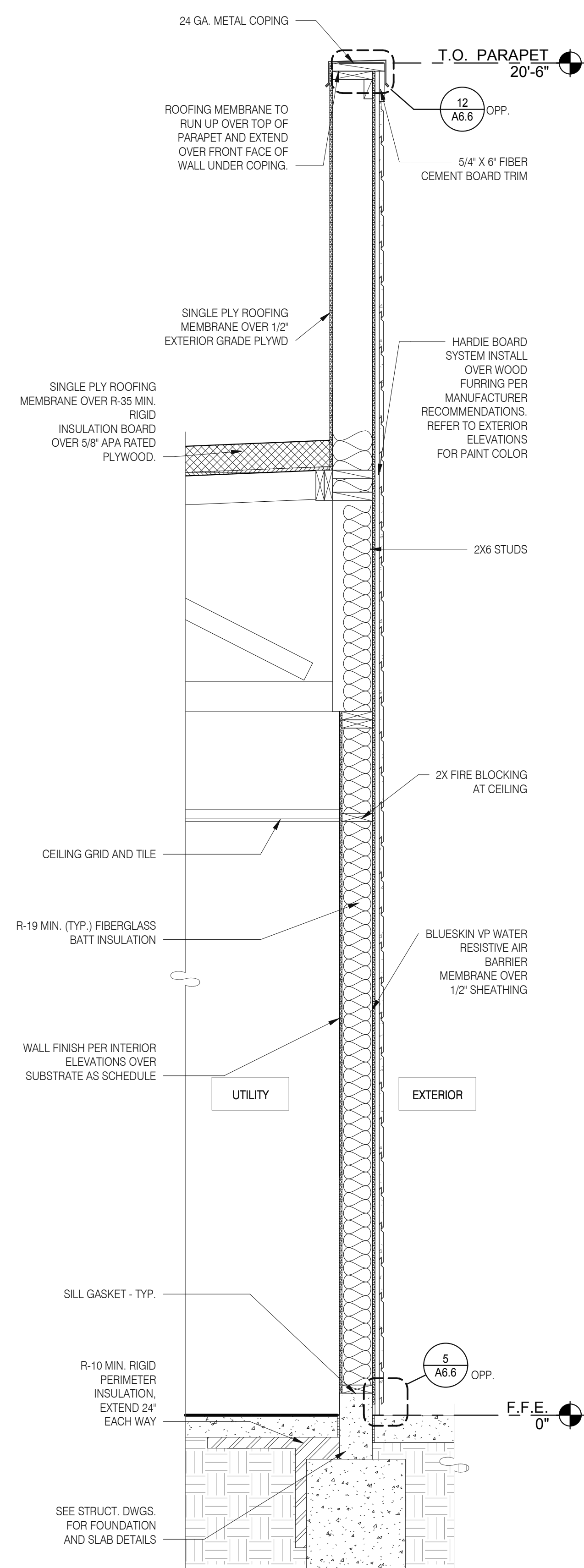
**ENDEAVOR 2.0
 BUILDING
 SECTIONS**

A5.1

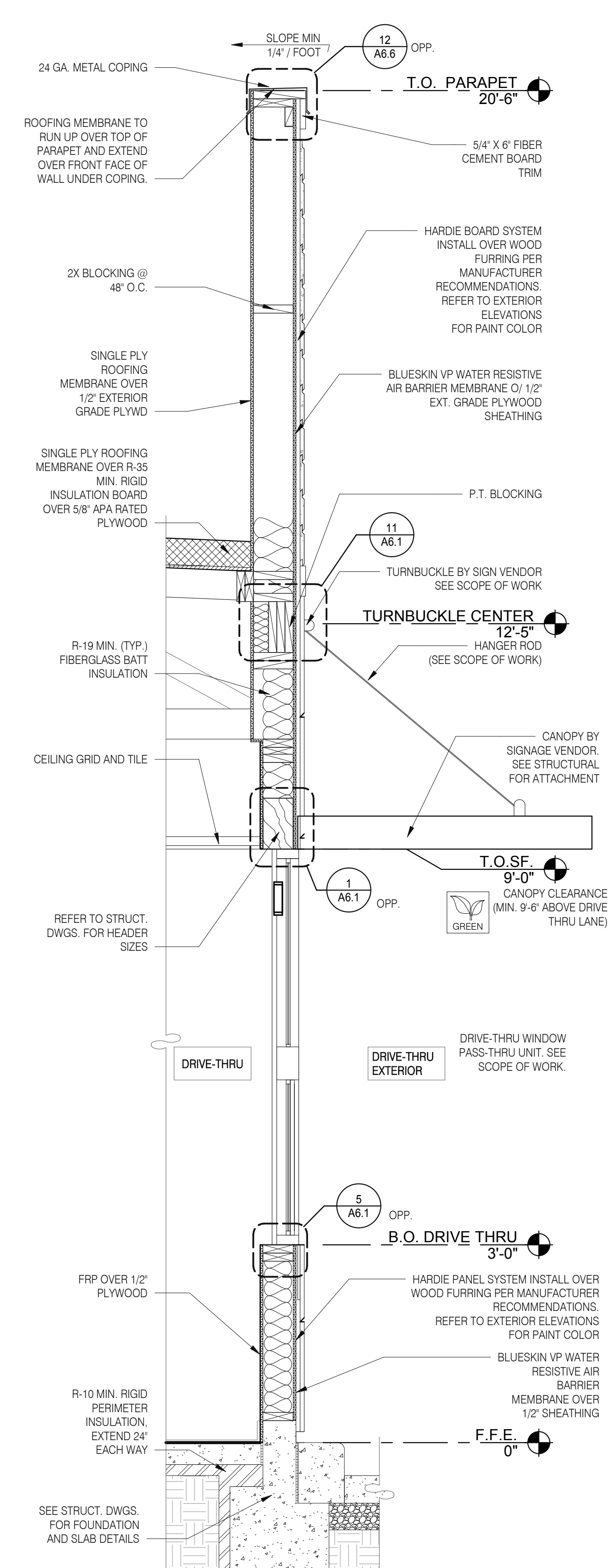
PLOT DATE: 5/5/2022 11:09:32 AM



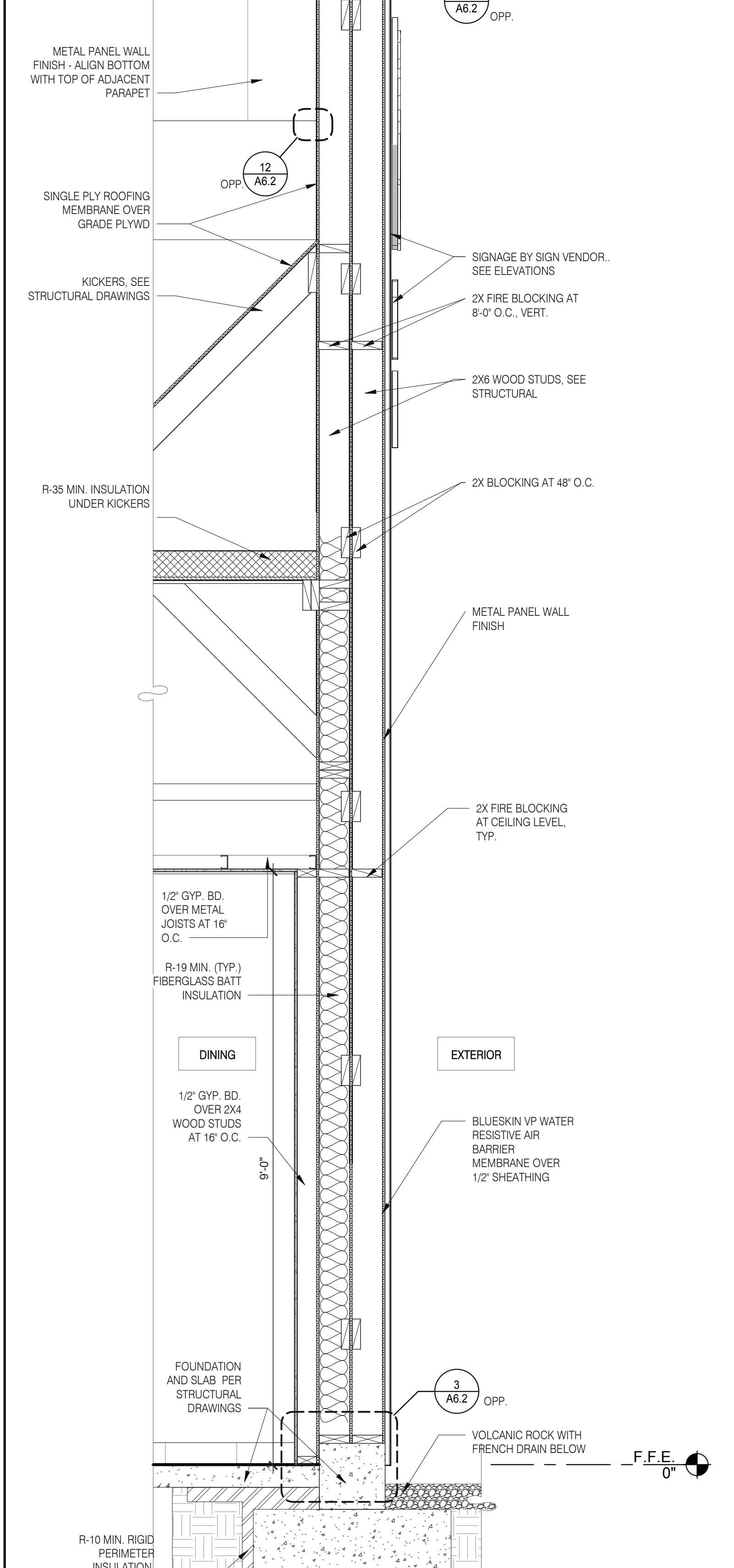
520 S. MAIN STREET, SUIT 2531
AKRON, OH 44311
330.572.2100 FAX: 330.572.2102



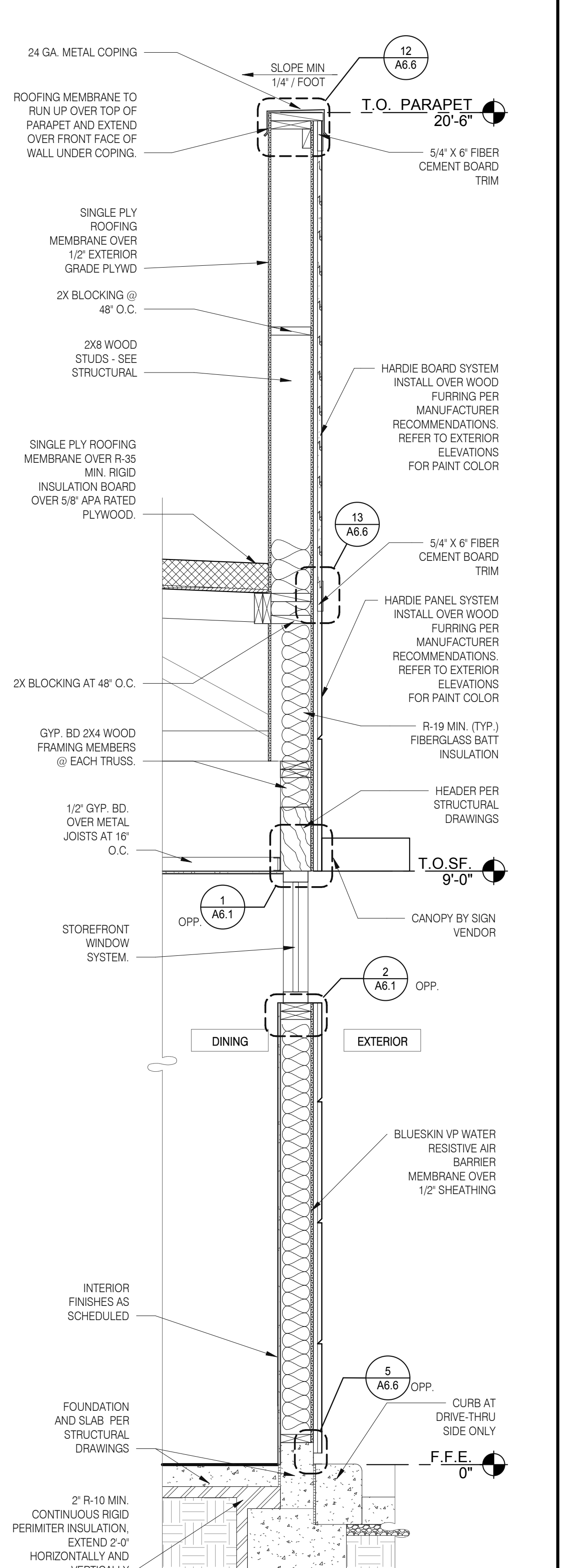
TYPICAL WALL SECTION 3/4" = 1'-0" D



WALL SECTION AT DRIVE THRU 3/4" = 1'-0" C



SECTION AT DINING - TOWER 3/4" = 1'-0" B



WALL SECTION AT DINING 3/4" = 1'-0" A

DATE	REMARKS
05.06.22	Issued for Permit

CONTRACT DATE: 10.06.21
BUILDING TYPE: END. MED20
PLAN VERSION: MARCH 2021
BRAND DESIGNER: WANCHO
SITE NUMBER: 0
STORE NUMBER: 0
PA/PM: AB
DRAWN BY.: RS
JOB NO.: 2020188.06

TACO BELL
3039 Dixie Highway
Edgewood, KY 41017

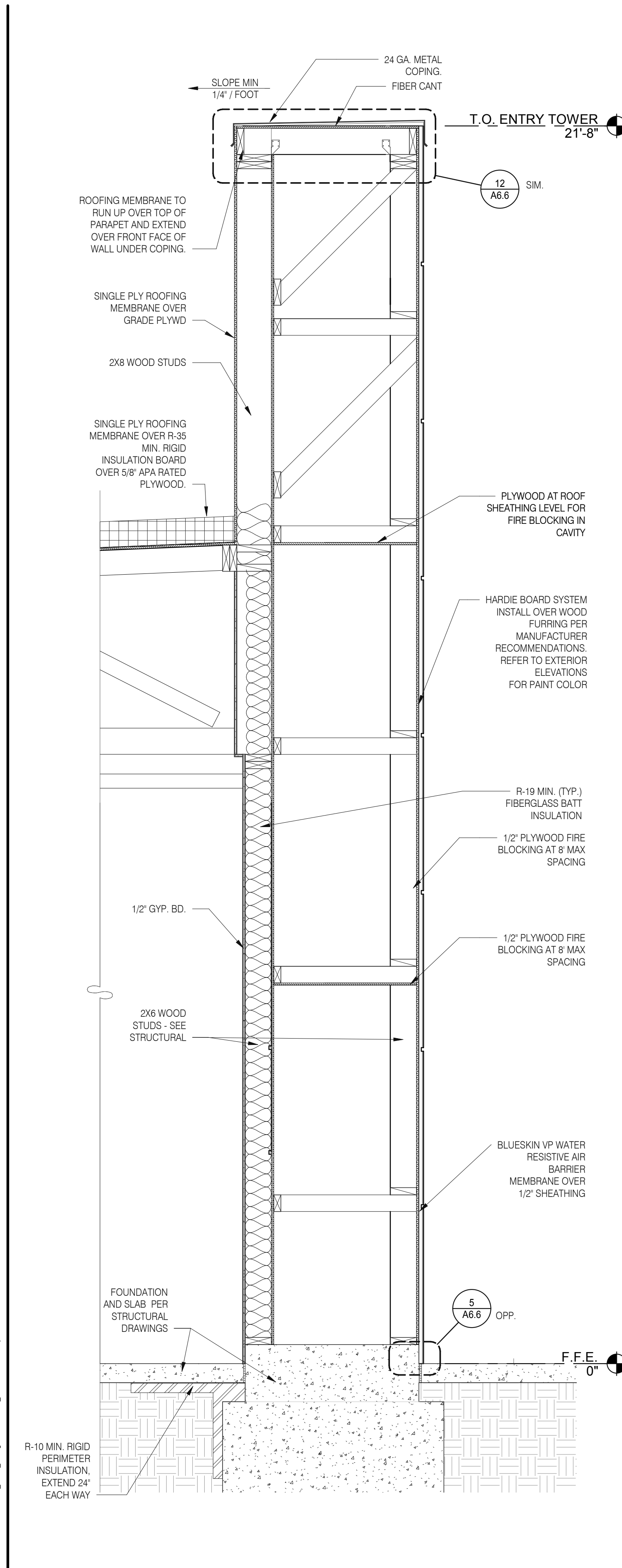


ENDEAVOR 2.0 WALL SECTIONS

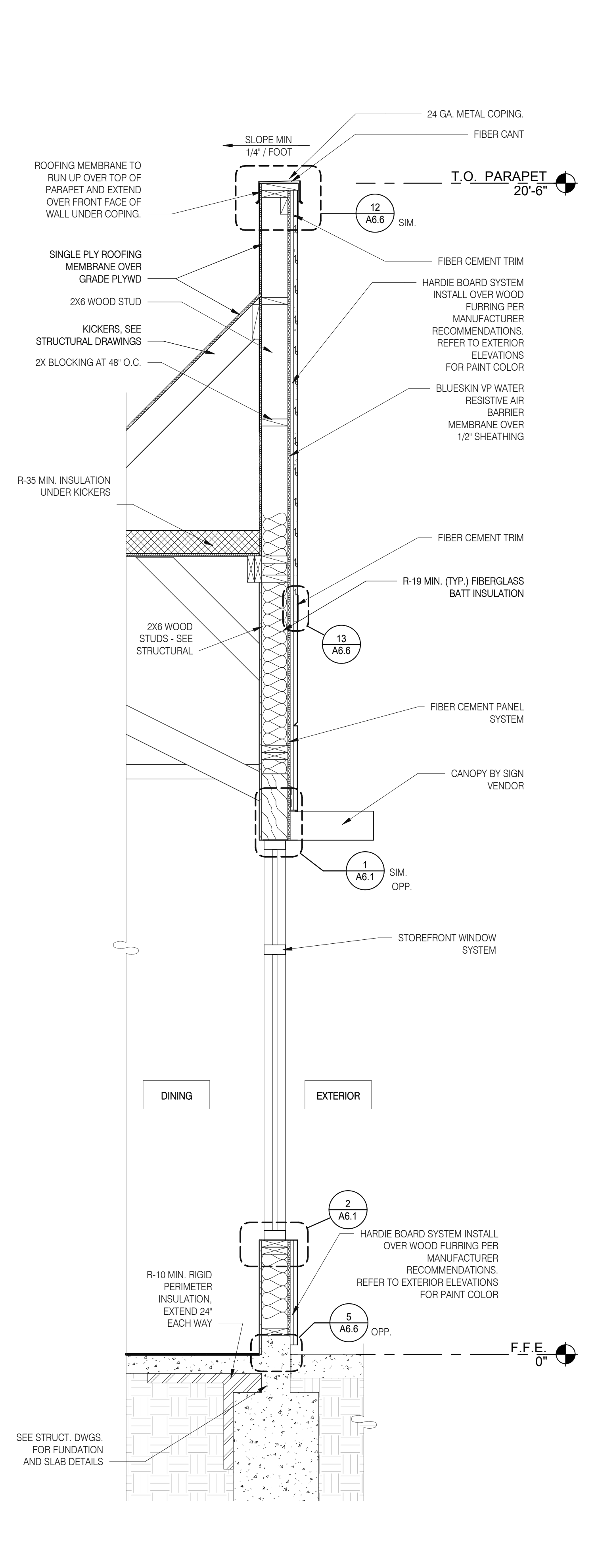
A5.2

PLOT DATE: 5/5/2022 11:09:38 AM

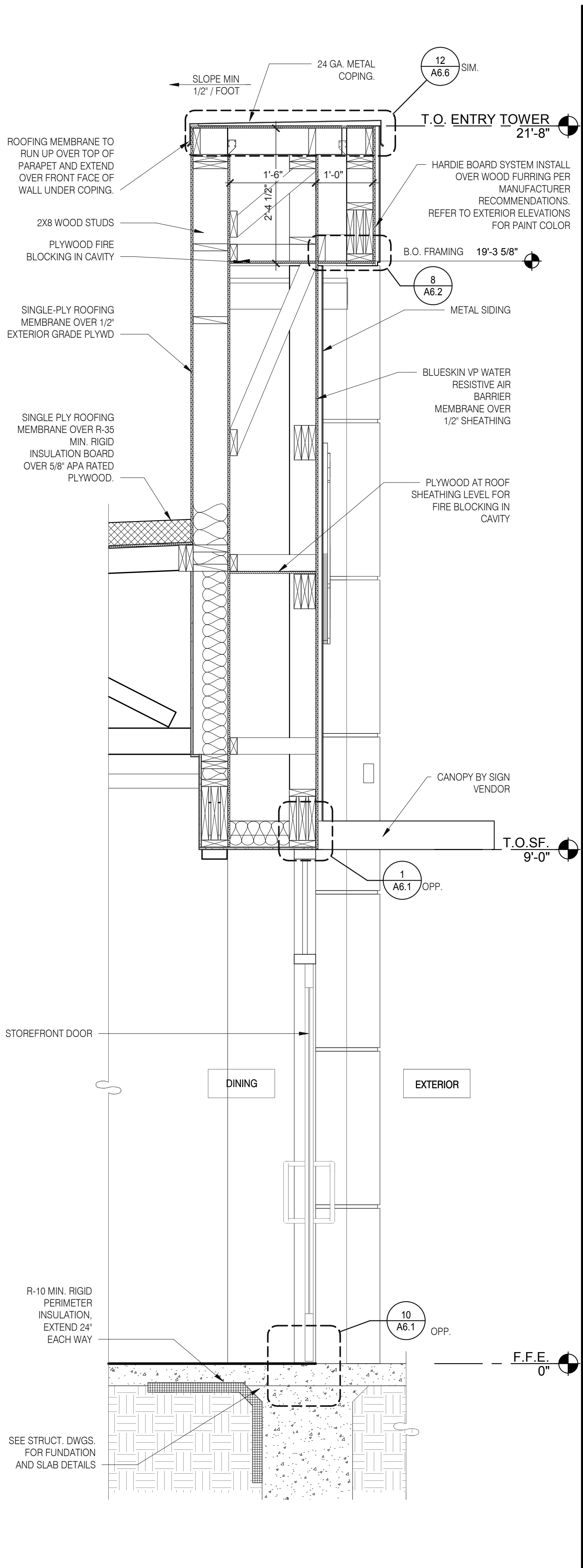
C:\Users\matt\Documents\ARCH_L\2022_Emager_KY\Mkt\End\A5.2\TacoBell\CPD\Drawings



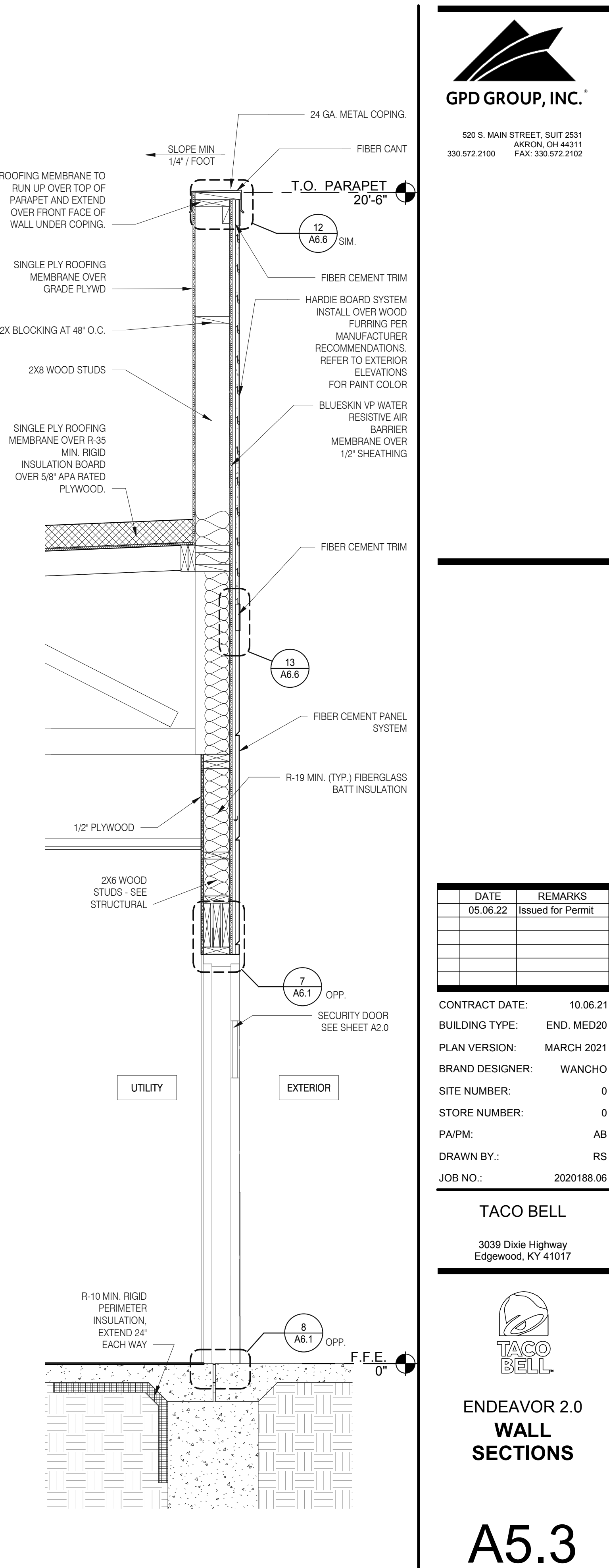
FRONT WALL SECTION 3/4" = 1'-0" D



FRONT WALL SECTION 3/4" = 1'-0" C



WALL SECTION AT DINING DOOR 3/4" = 1'-0" B



WALL SECTION AT SERVICE DOOR 3/4" = 1'-0" A

DATE	REMARKS
05.06.22	Issued for Permit

CONTRACT DATE: 10.06.21
 BUILDING TYPE: END. MED20
 PLAN VERSION: MARCH 2021
 BRAND DESIGNER: WANCHO
 SITE NUMBER: 0
 STORE NUMBER: 0
 PA/PM: AB
 DRAWN BY.: RS
 JOB NO.: 2020188.06

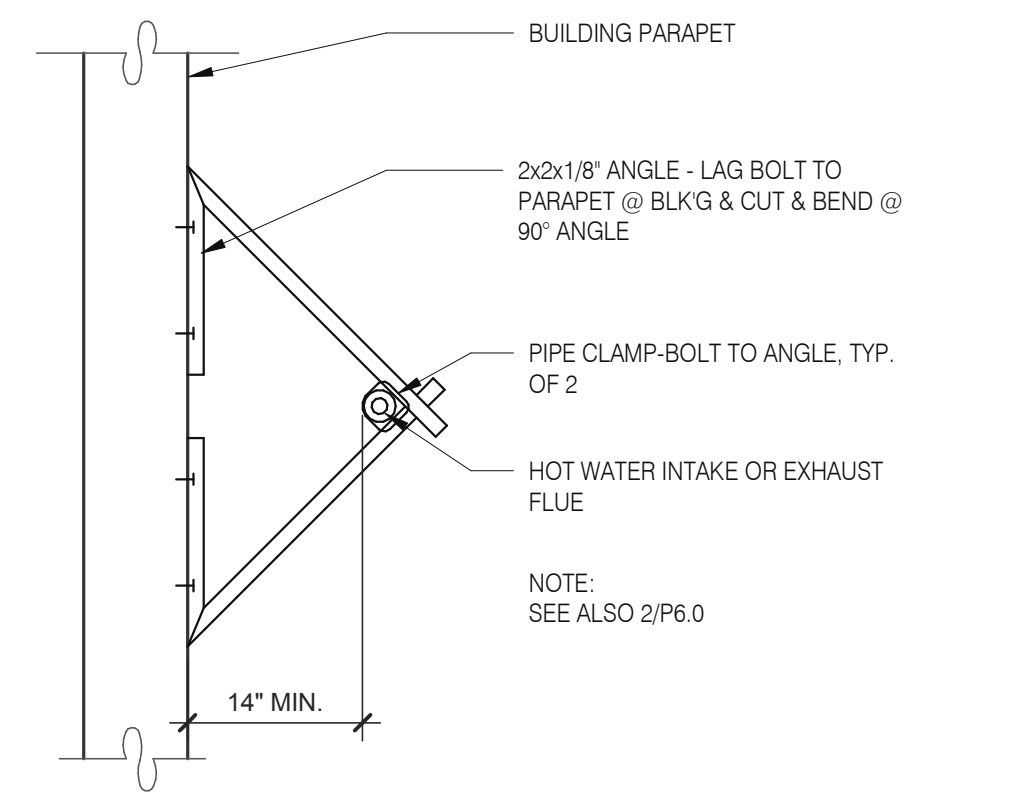
TACO BELL
 3039 Dixie Highway
 Edgewood, KY 41017



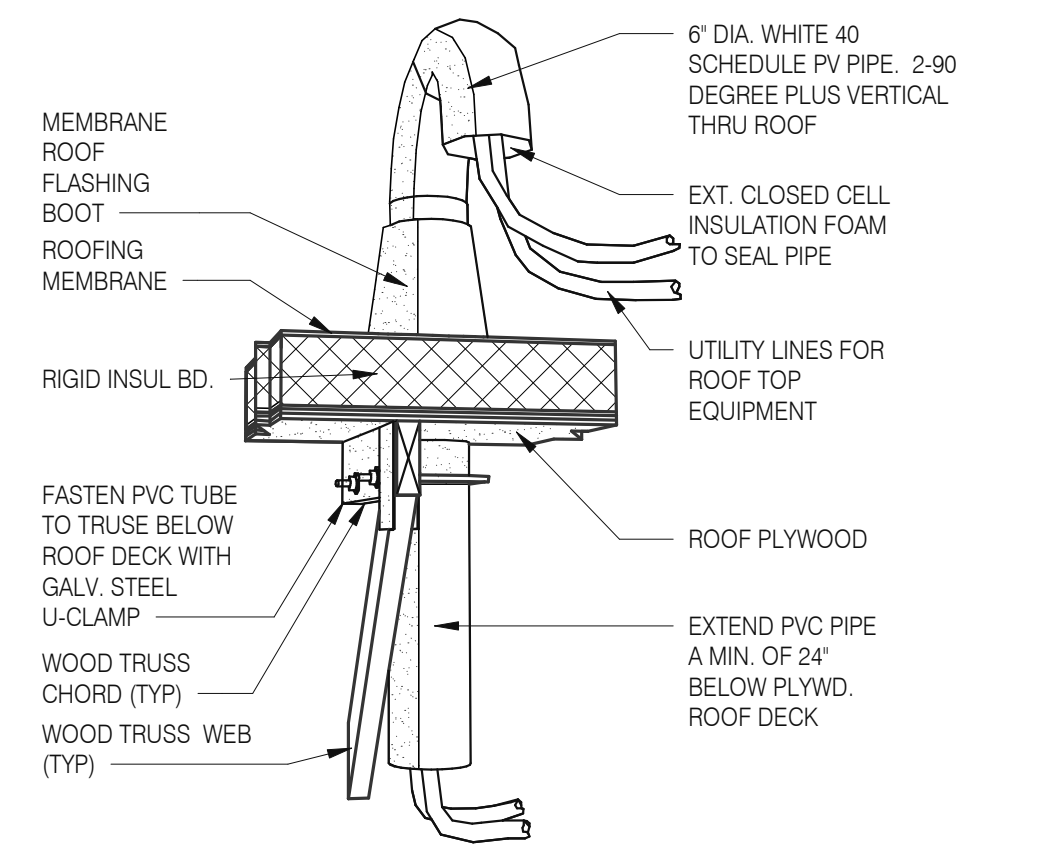
**ENDEAVOR 2.0
 WALL
 SECTIONS**

A5.3

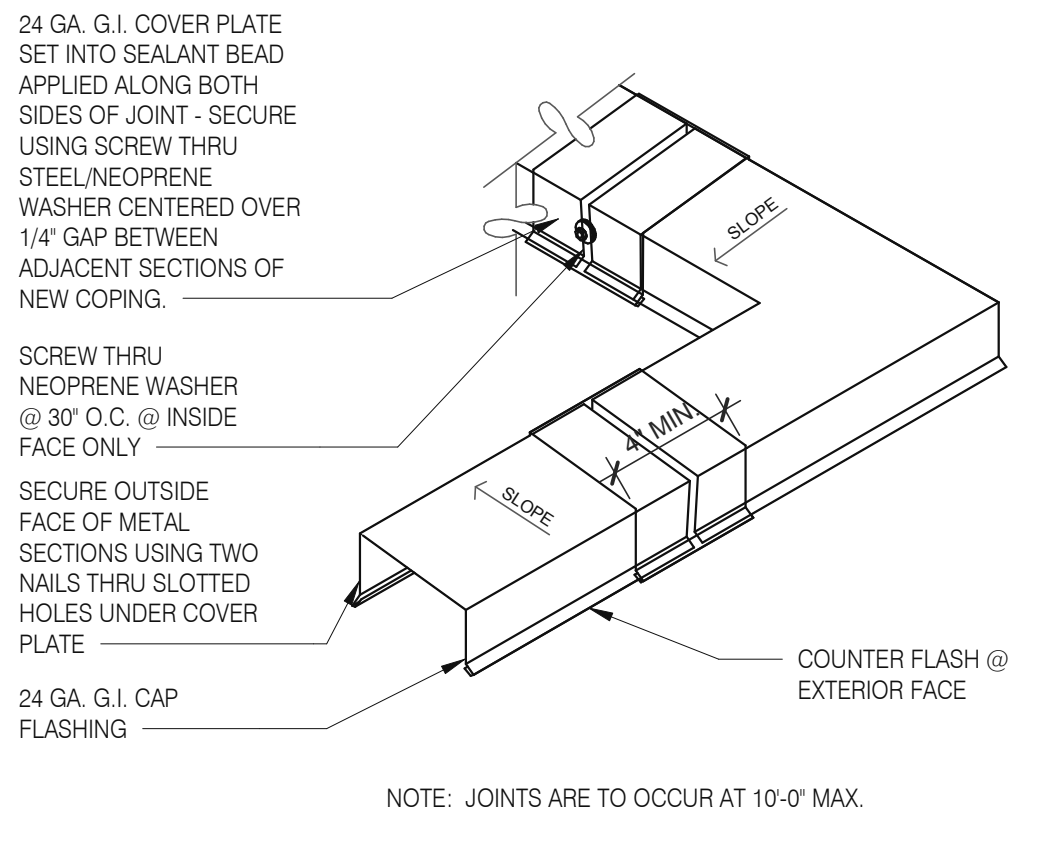
C:\Users\miller\Documents\ARCH_L\2022_Empire_KY\Mixed_M\BelleGPD\Drawings



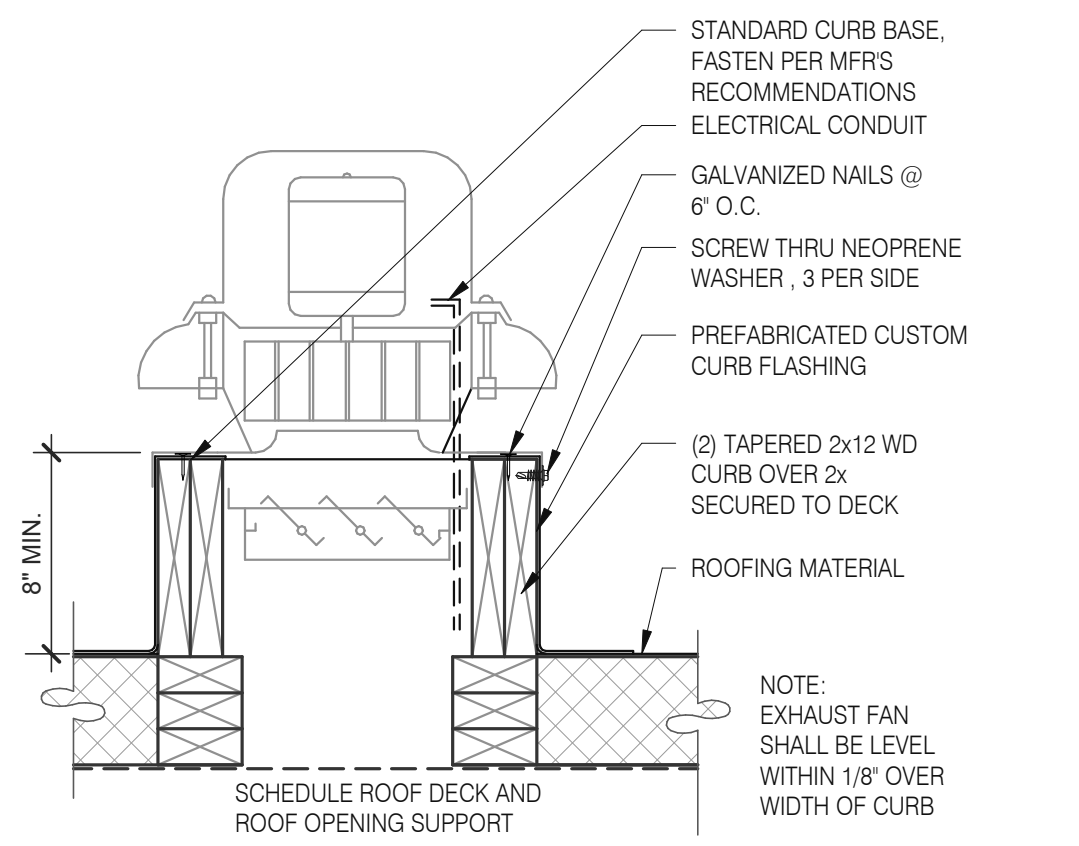
W.H. FLU / INTAKEN PIPE SUPPORT 3" = 1'-0" 13



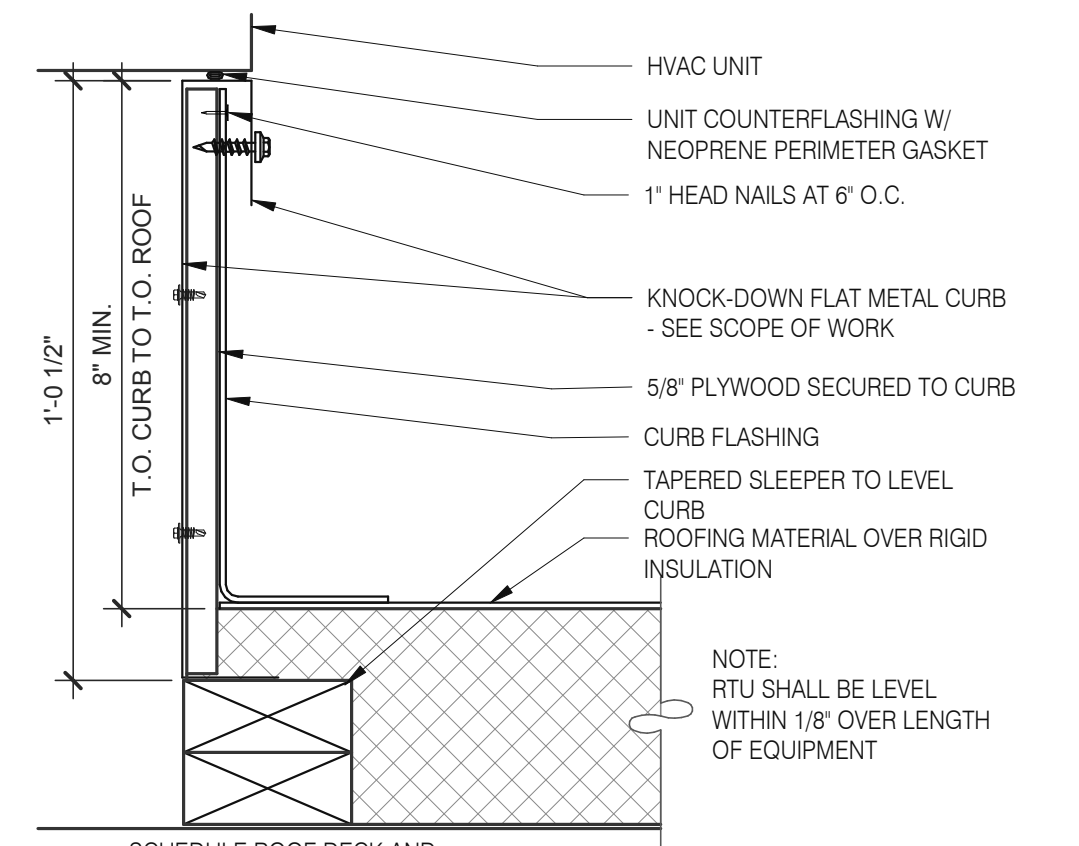
PIPE HOOD N.T.S. 9



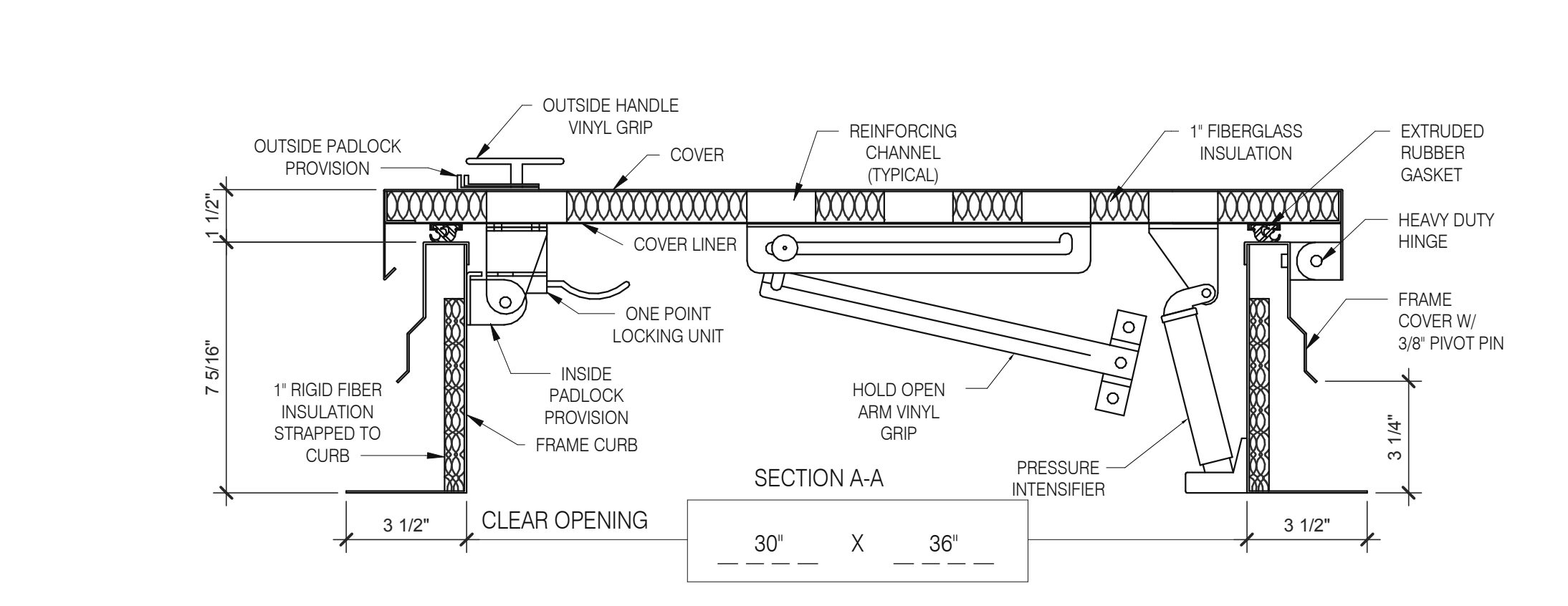
COPING JOINT N.T.S. 5



EXHAUST FAN CURB 3" = 1'-0" 18



HVAC CURB 3" = 1'-0" 14



HATCH MATERIAL:

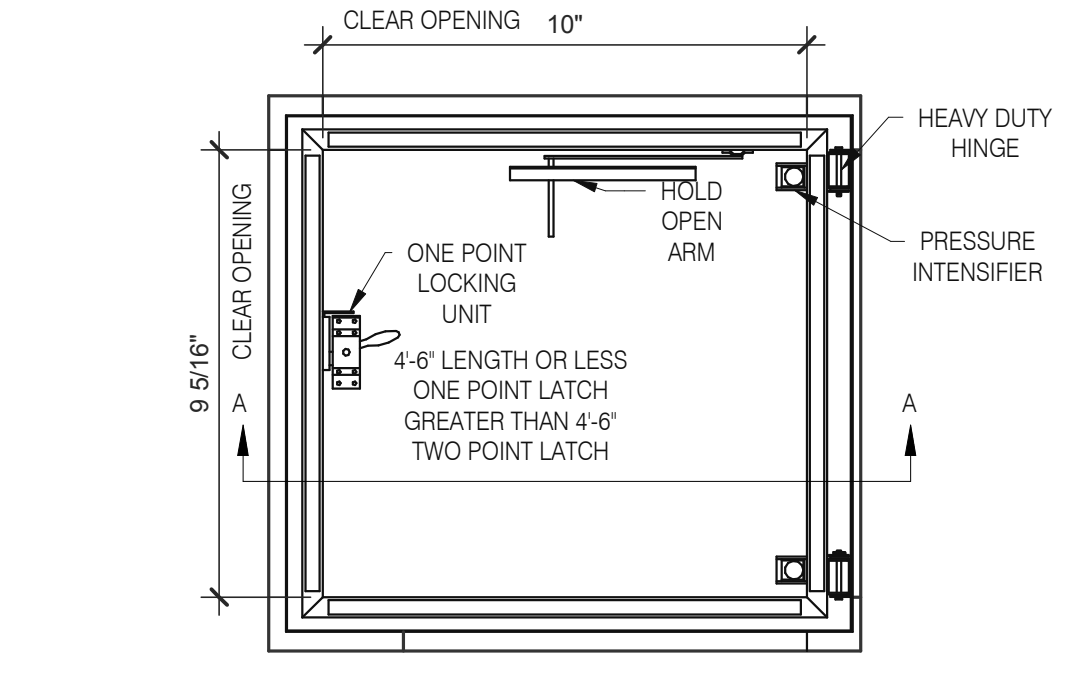
GALVANIZED STEEL (PRIME PAINTED)
COVER - 14 GA. GALV STEEL
FRAME COVER - 14 GA. GALV STEEL
FRAME CURB - 14 GA. GALV STEEL
COVER LINER - 22 GA. GALV STEEL

HATCH FINISH:

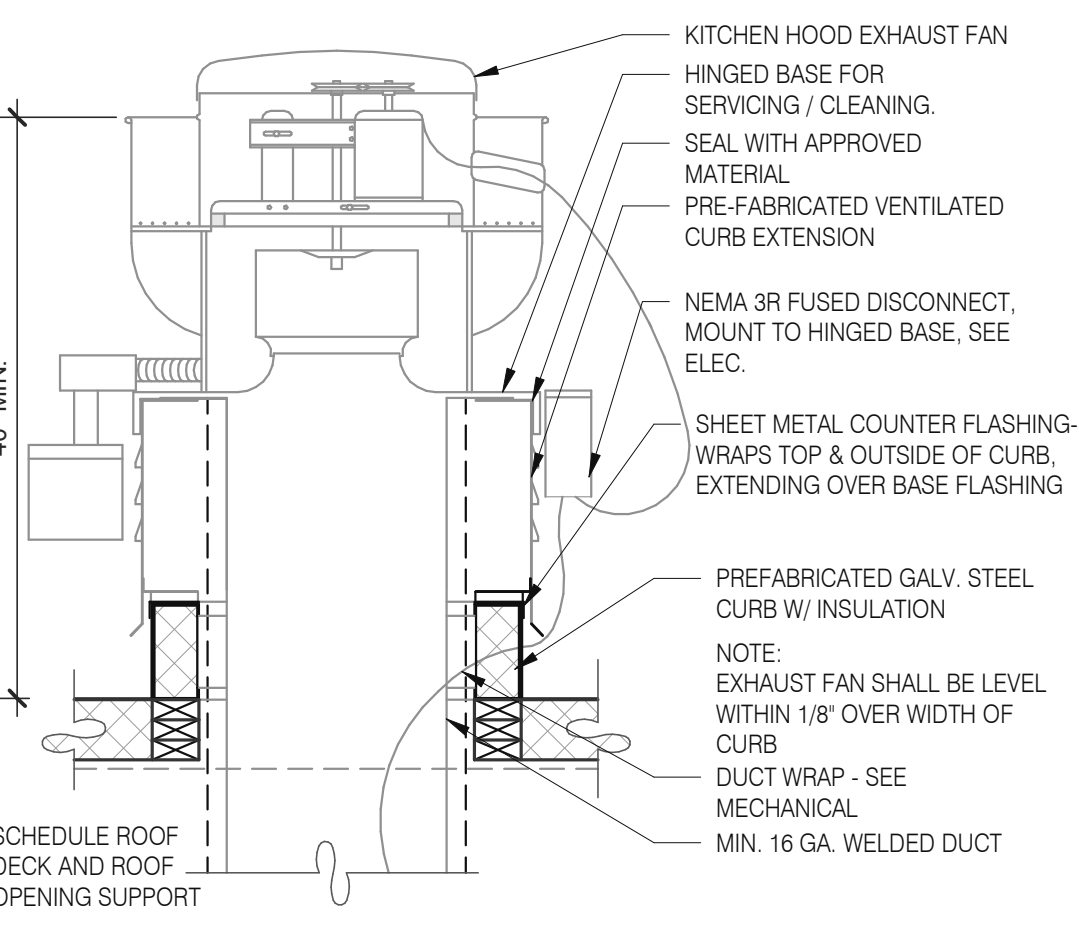
GALV - PRIME PAINTED

MANUFACTURER:

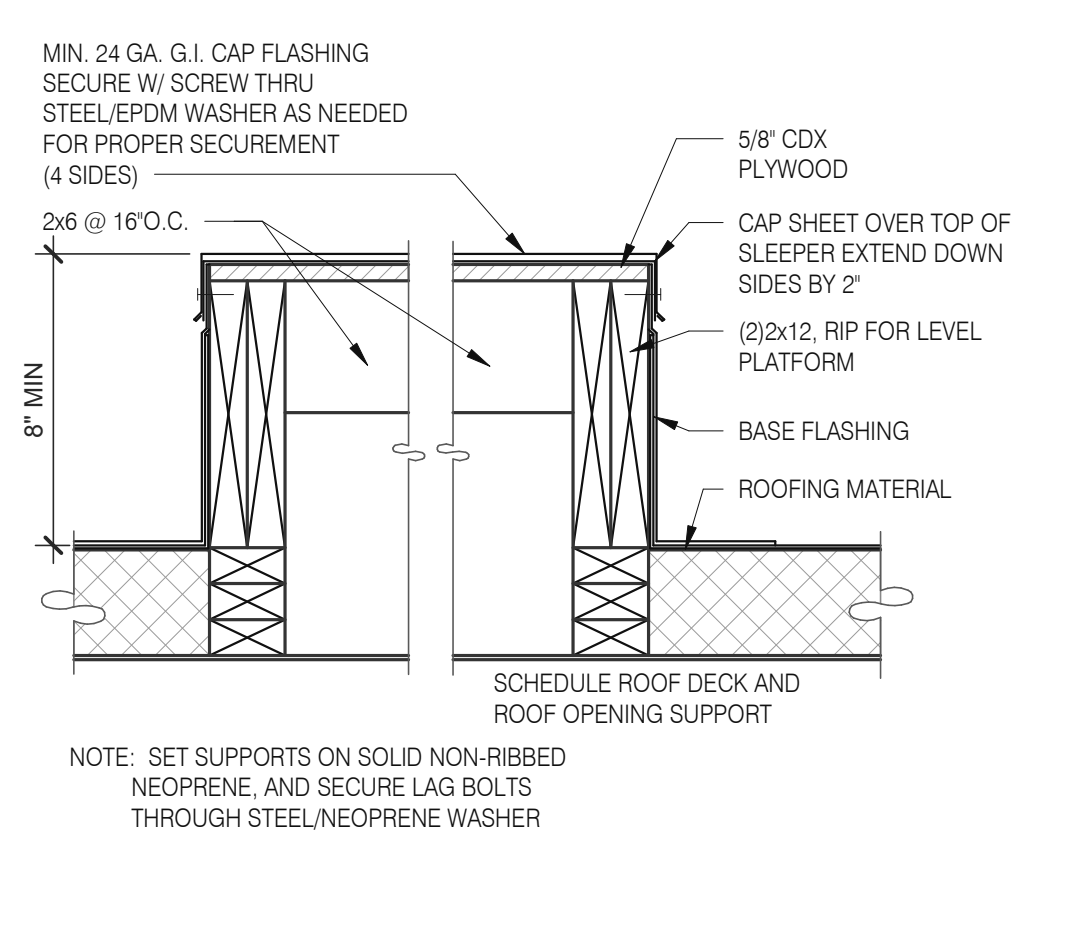
PRECISION LADDERS, LLC OR EQUAL



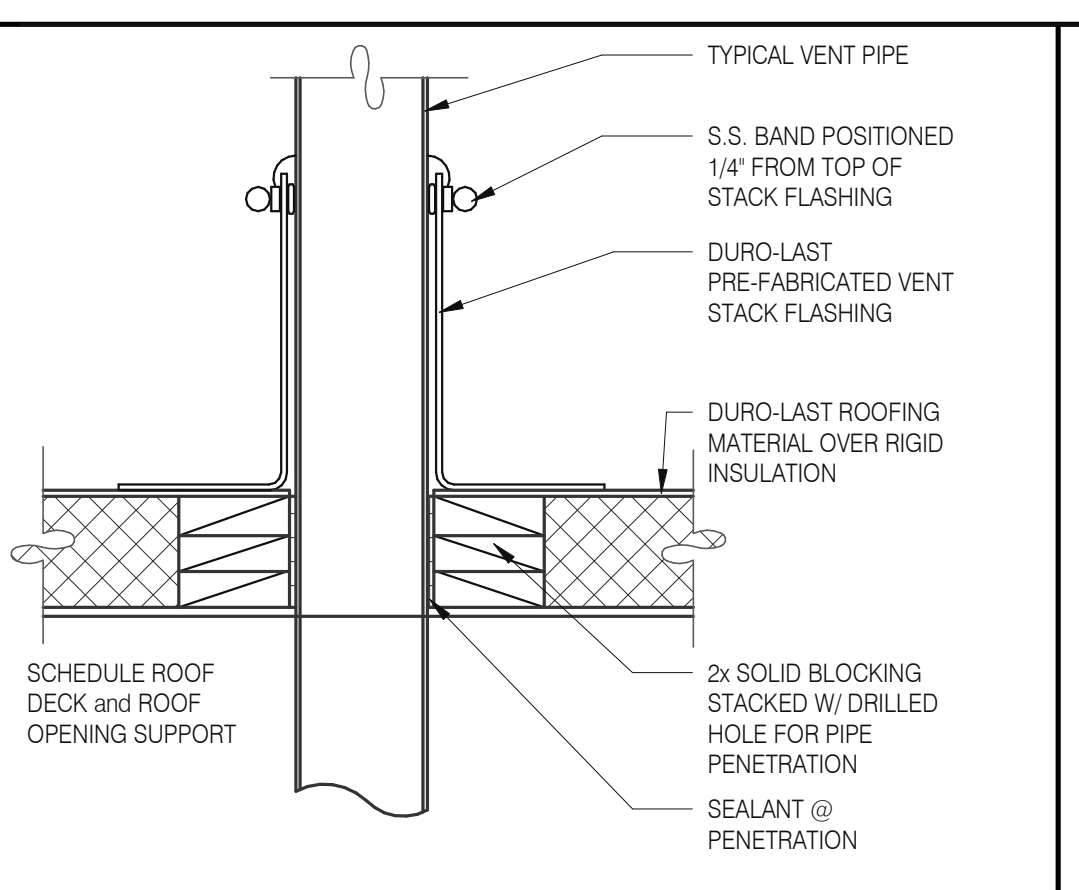
NOTES:
(1) ALL MOUNTING HARDWARE TO BE SUPPLIED BY OTHERS.
(2) FOR OPERATING EFFICIENCY, HATCH HARDWARE VARIES BY SIZE.
EXAMPLE MODEL#: PH- A/G OPENING SIZE IN FEET-INCHES (PH-G2630)



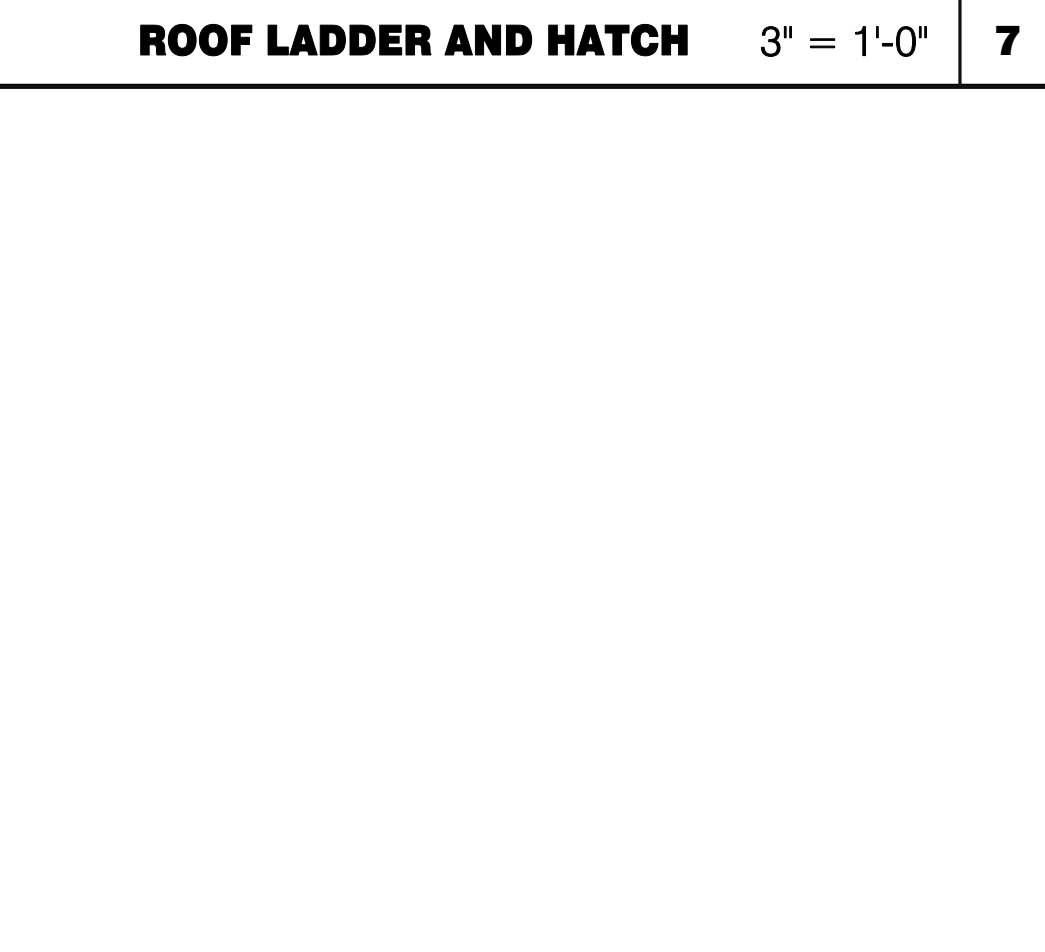
EXHAUST FAN CURB 3" = 1'-0" 19



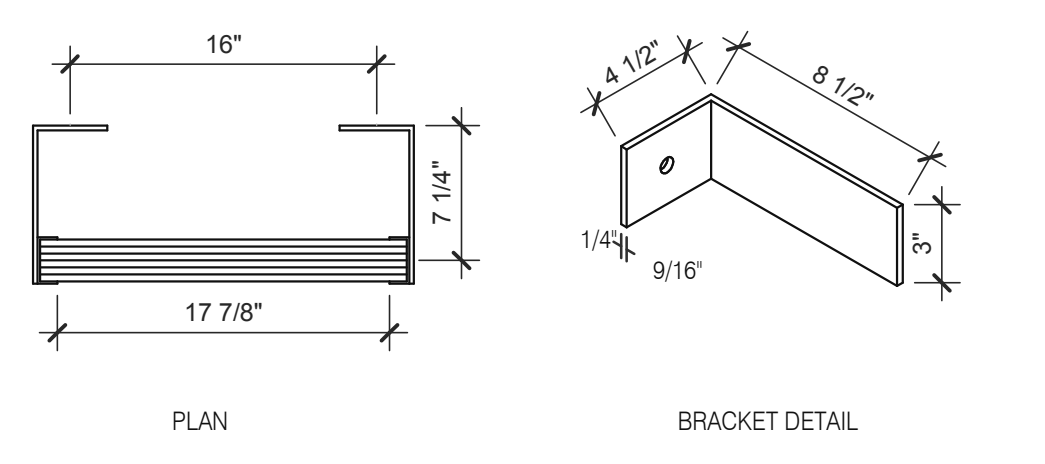
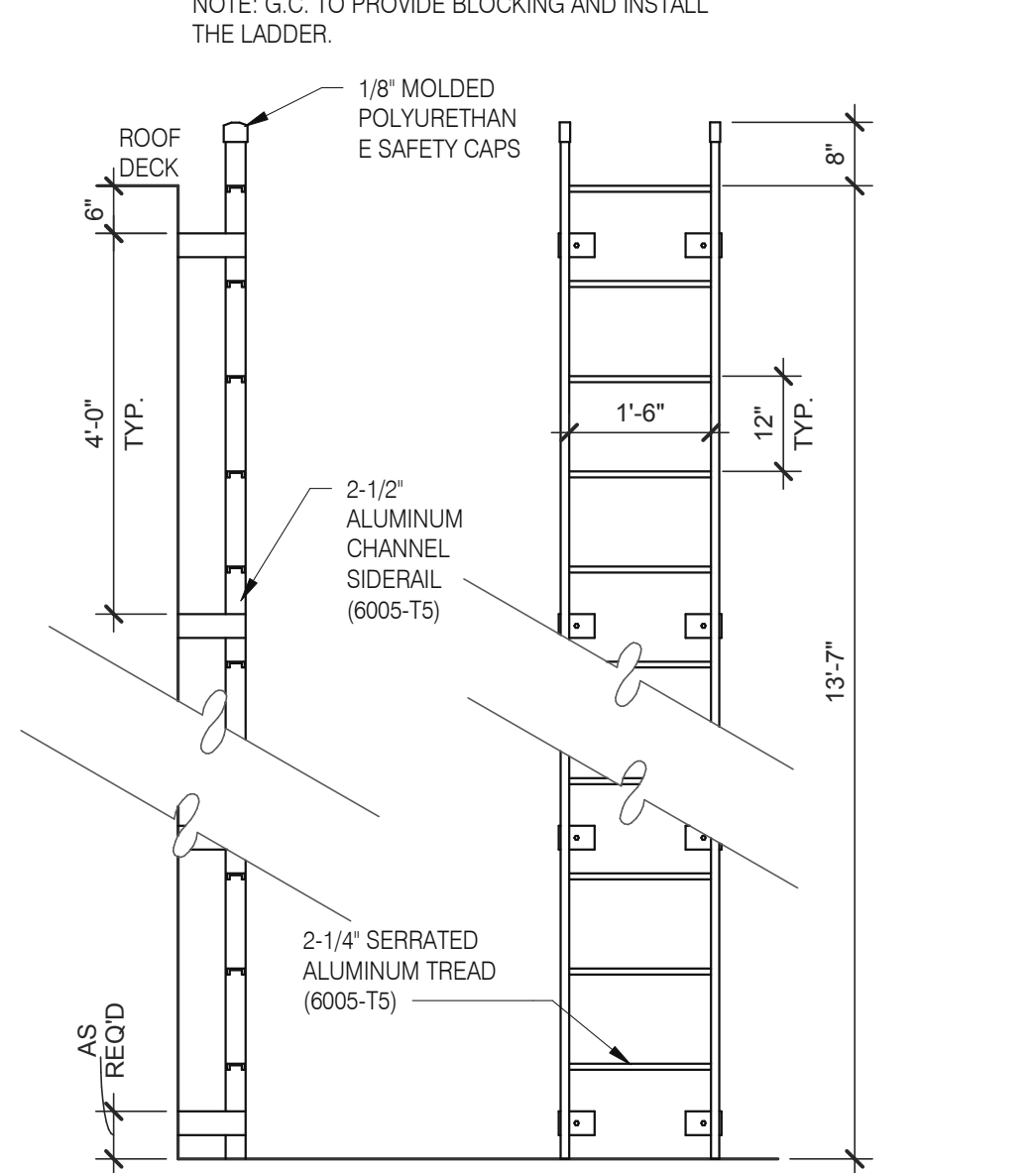
EQUIPMENT PLATFORM SUPPORT 3" = 1'-0" 15



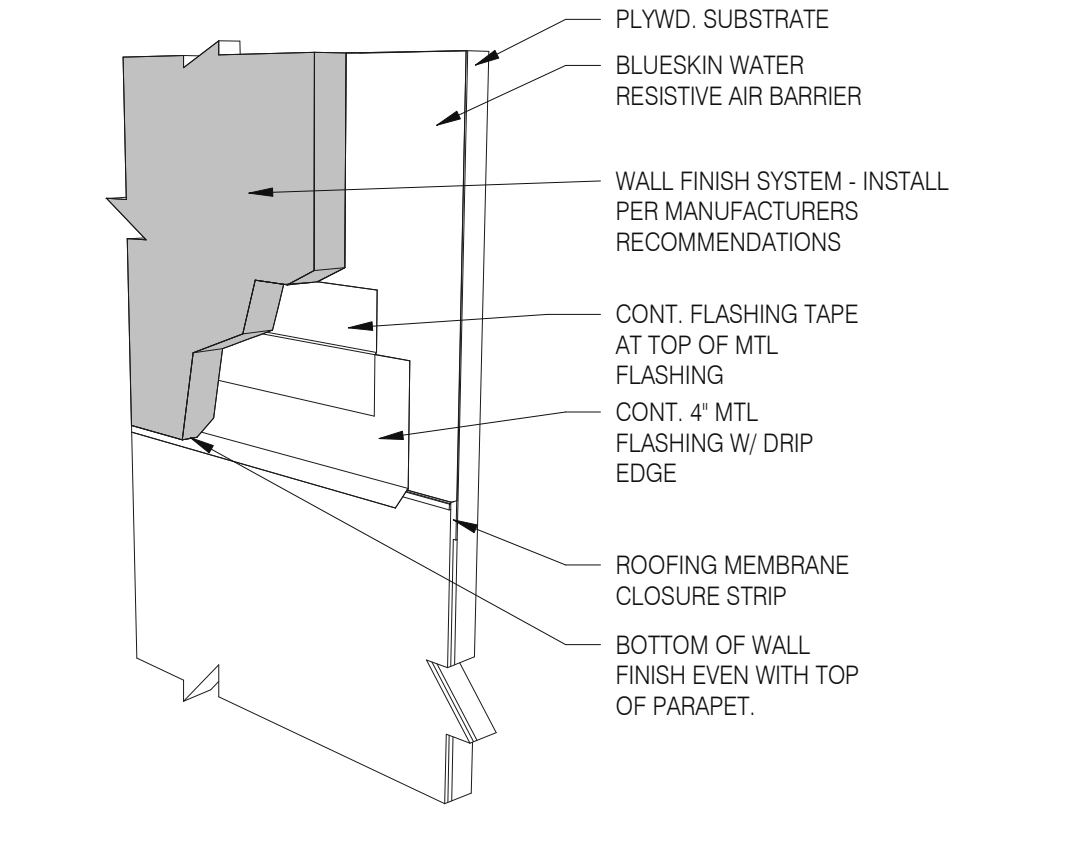
SEALED PIPE FLASHING 3" = 1'-0" 12



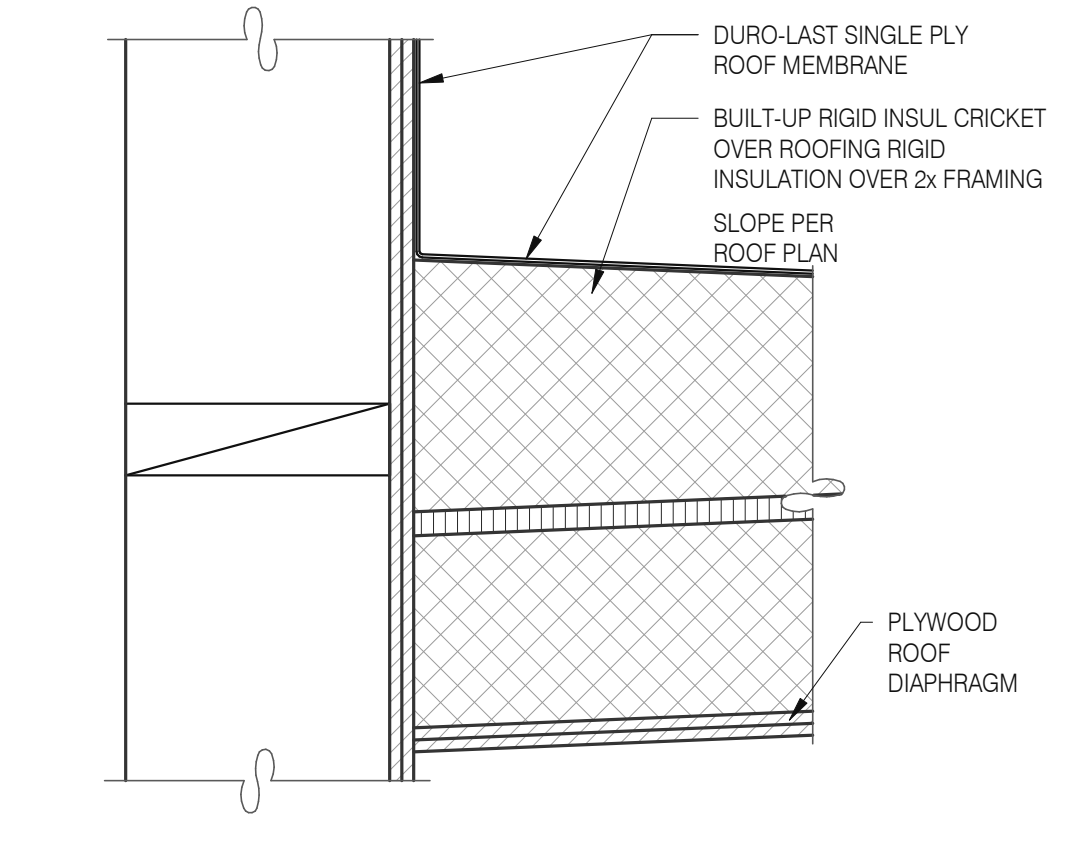
ROOF LADDER AND HATCH 3" = 1'-0" 7



ROOF LADDER N.T.S. 4



WALL FINISH TO BASE FLASHING 3" = 1'-0" 20



CRICKET 3" = 1'-0" 16

DATE	REMARKS
05.06.22	Issued for Permit

CONTRACT DATE: 10.06.21
BUILDING TYPE: END. MED20
PLAN VERSION: MARCH 2021
BRAND DESIGNER: WANCHO
SITE NUMBER: 0
STORE NUMBER: 0
PA/PM: AB
DRAWN BY.: RS
JOB NO.: 2020188.06

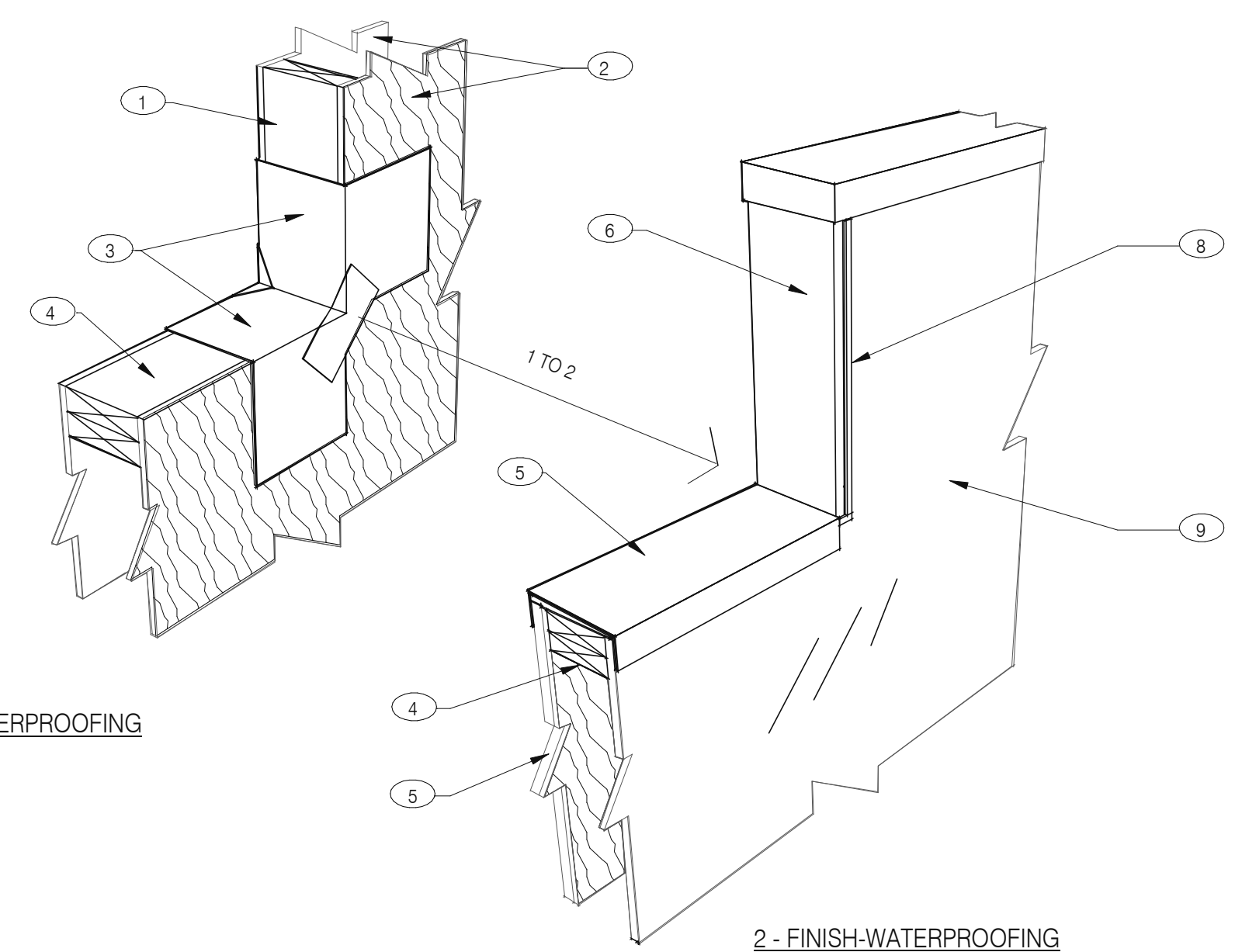
TACO BELL
3039 Dixie Highway
Edgewood, KY 41017



**ENDEAVOR 2.0
CONSTRUCTION
DETAILS ROOF**

A6.0

PLOT DATE: 5/5/2022 11:09:59 AM



1 - PRE-WATERPROOFING

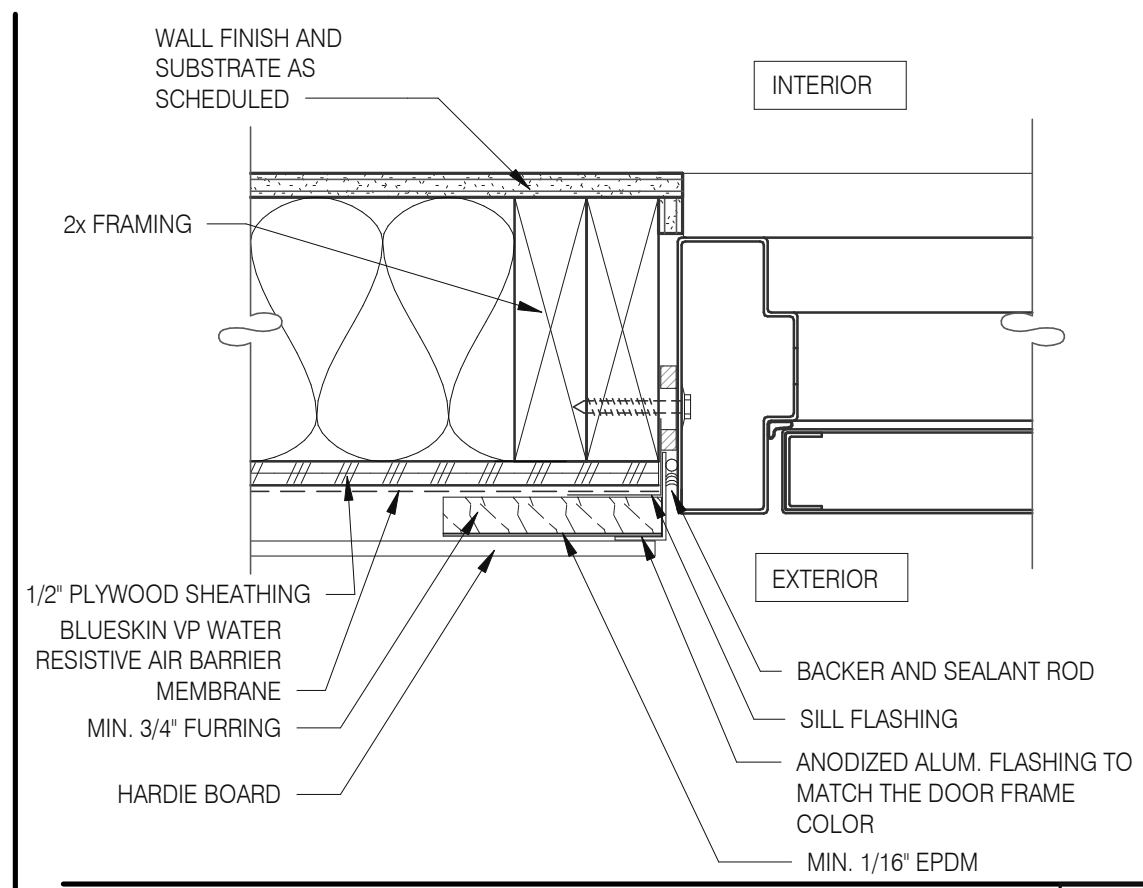
2 - FINISH-WATERPROOFING

NOTES

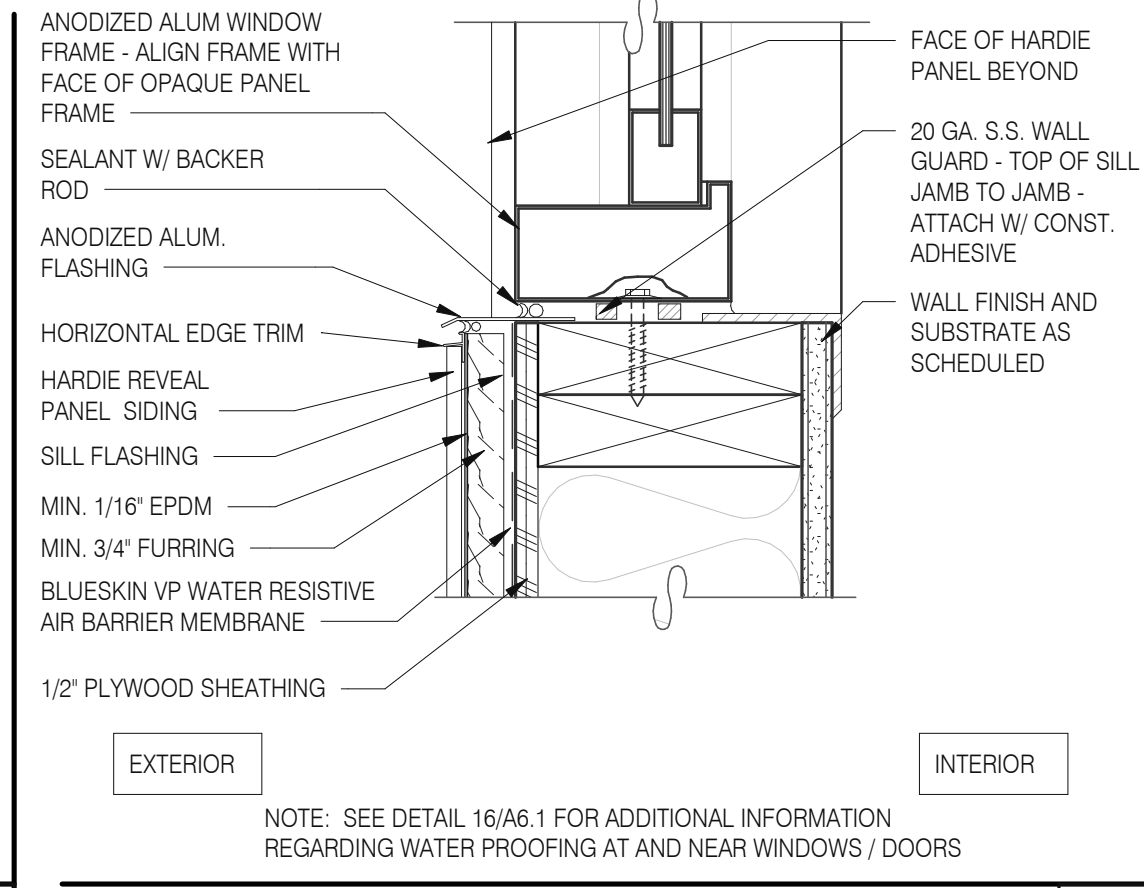
- ① 2X WOOD STUDS
- ② PLYWOOD SUBSTRATE FOR EXTERIOR WALLS
- ③ FLASHING TAPE AT ALL VERTICAL PARAPET TRANSITIONS. EXTEND TAPE 12" OUTWARD AND UPWARD FROM CORNER AS SHOWN. LAP CORNERS WITH ANGLED TAPE AS SHOWN TO INSURE FULL COVERAGE AT CORNERS
- ④ DOUBLE 2X TOP PLATE.
- ⑤ PAINTED 24 GAUGE PARAPET COPING. SLOPE 1/4:1 TOWARDS ROOF WITH FIBER CANT STRIPS UNDER COPING. LAP FRONT AND BACK EDGE 2" DOWN VERTICAL FACE. LAP EXPOSED COPING EDGE EXPOSED ENDS AT VERTICAL PARAPET TRANSITION.
- ⑥ WRAP EXTERIOR FINISH MATERIAL ONTO VERTICAL FACE OF PARAPET TRANSITION. SEE EXTERIOR ELEVATIONS.
- ⑦ EXTERIOR FINISH MATERIAL AS NOTED ON EXTERIOR ELEVATIONS ON SHEET A4.0
- ⑧ TERMINATION BAR AT VERTICAL TRANSITION OF EXTERIOR FINISH MATERIAL AND MEMBRANE ROOFING. SEAL VERTICAL GAP BETWEEN TERMINATION BAR AND EXTERIOR FINISH PER ROOFING MANUFACTURER SPECIFICATIONS.
- ⑨ PVC ROOFING MEMBRANE ON BACKSIDE OF PARAPET.

IMPORTANT : ONLY FASTEN PARAPET COPING ALONG THE FRONT AND BACK VERTICAL EDGE. NEVER ON TOP OF COPING.

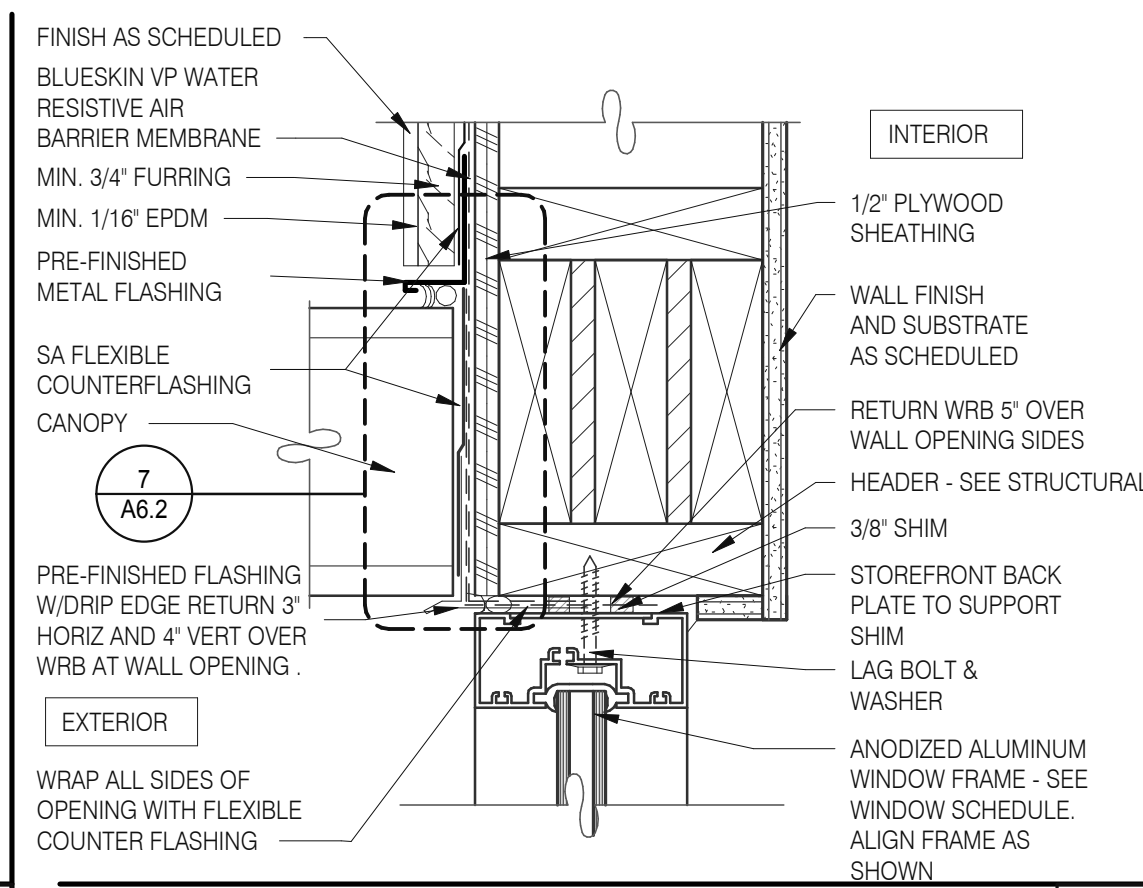
PARAPET CAP & TRANSITION 1" = 1'-0" 13



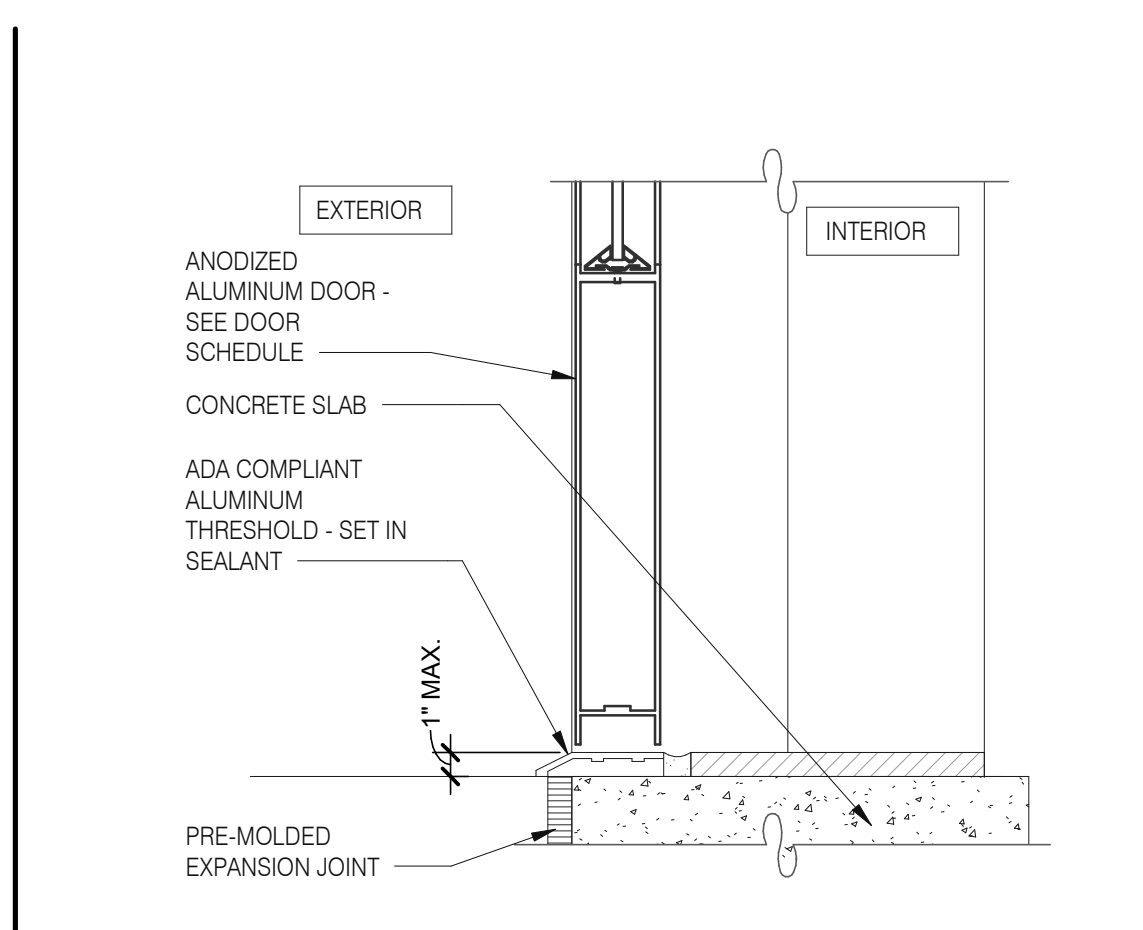
JAMB SERVICE DOOR 3" = 1'-0" 9



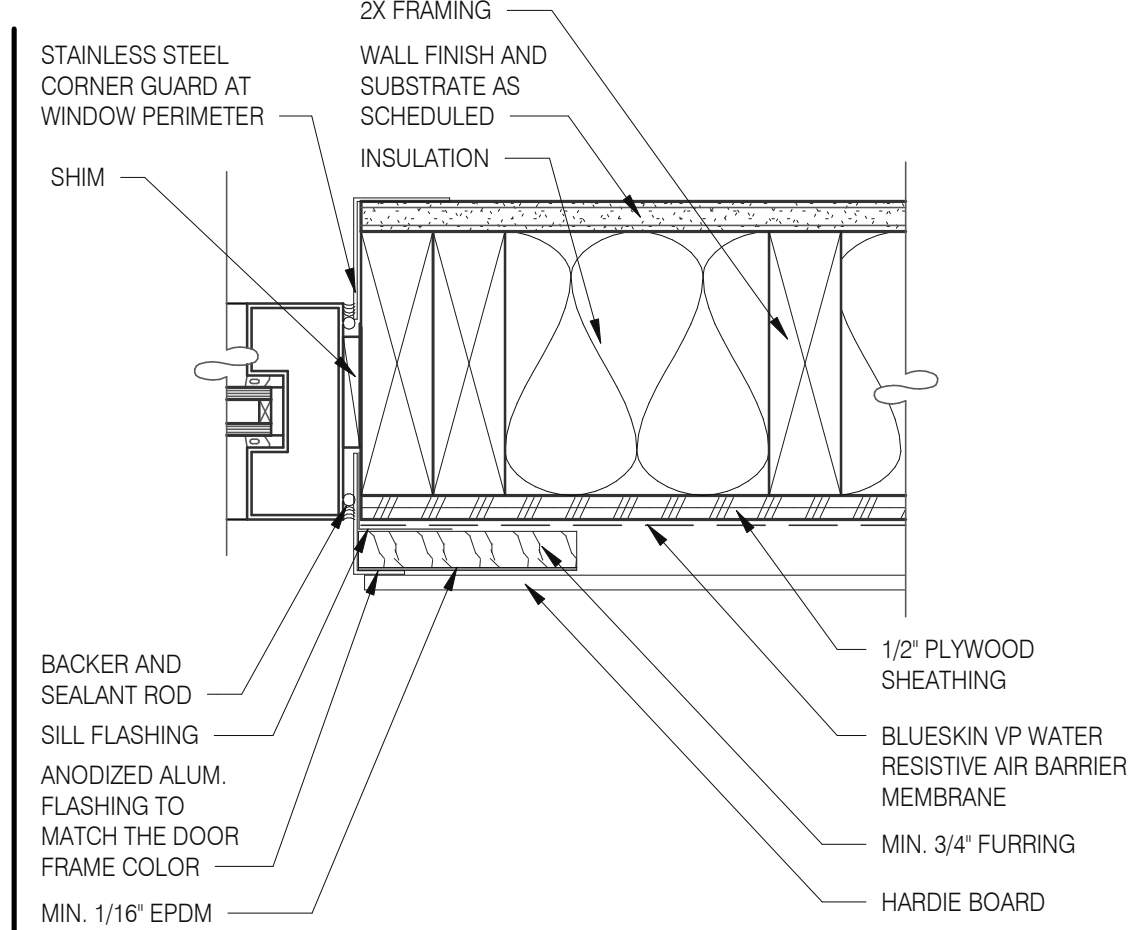
WINDOW SILL @ DRIVE THRU 3" = 1'-0" 5



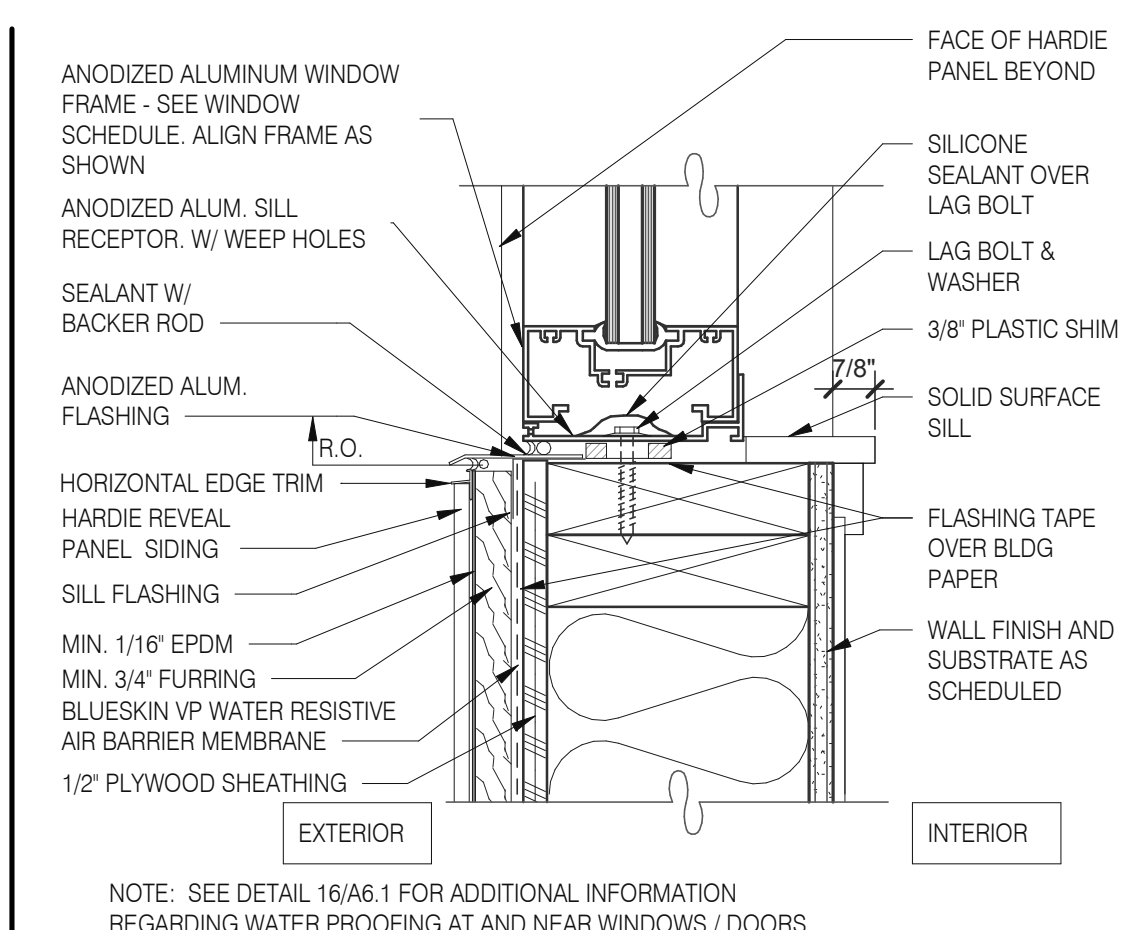
TYPICAL WINDOW HEAD W/ CANOPY 3" = 1'-0" 1



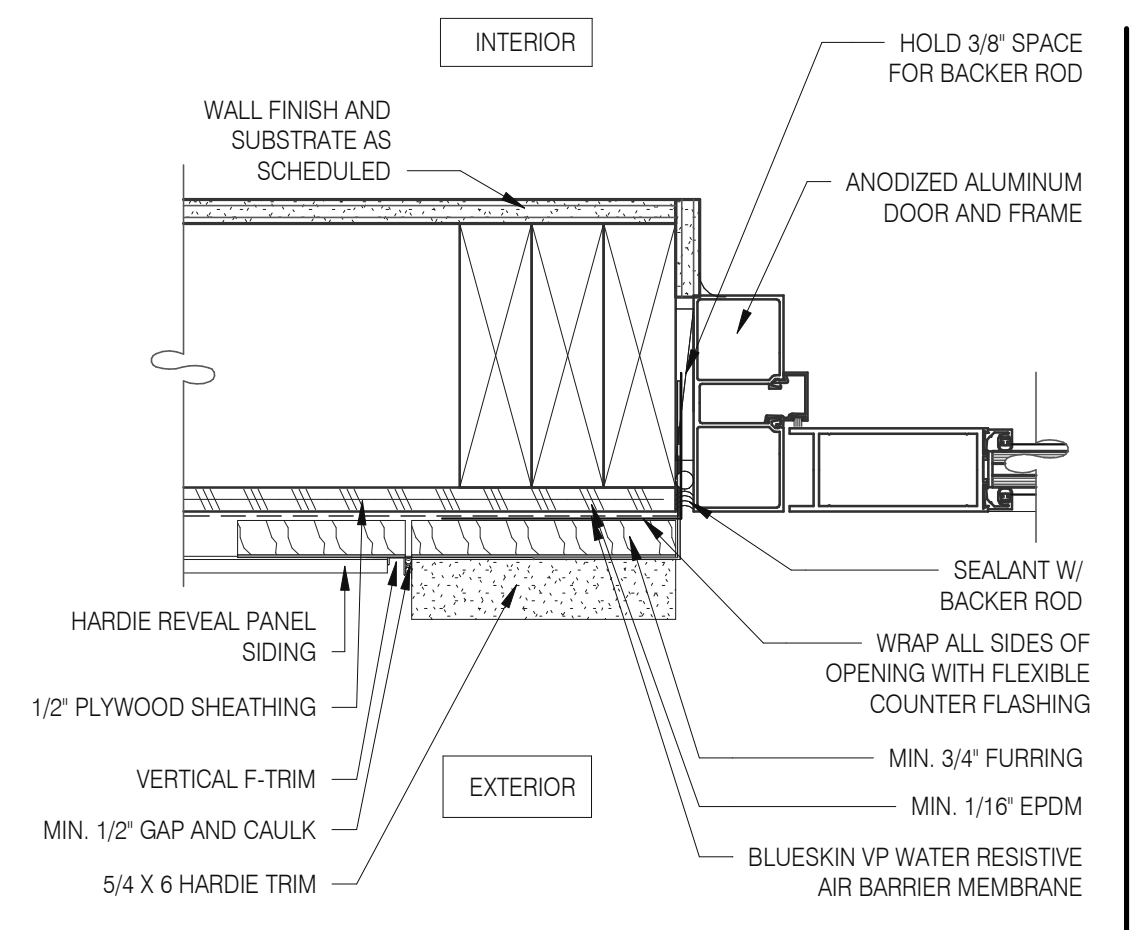
STOREFRONT DOOR SILL 3" = 1'-0" 10



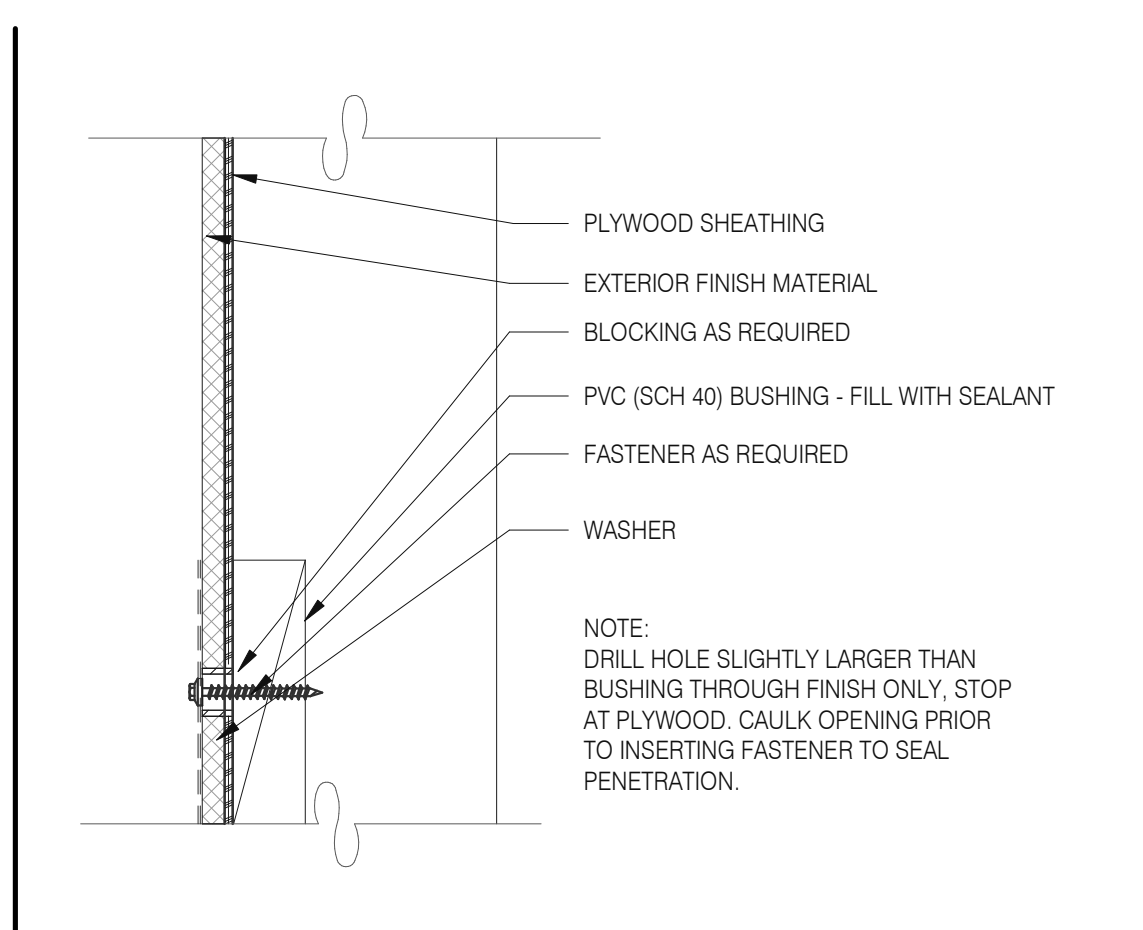
WINDOW JAMB @ DRIVE THRU 3" = 1'-0" 6



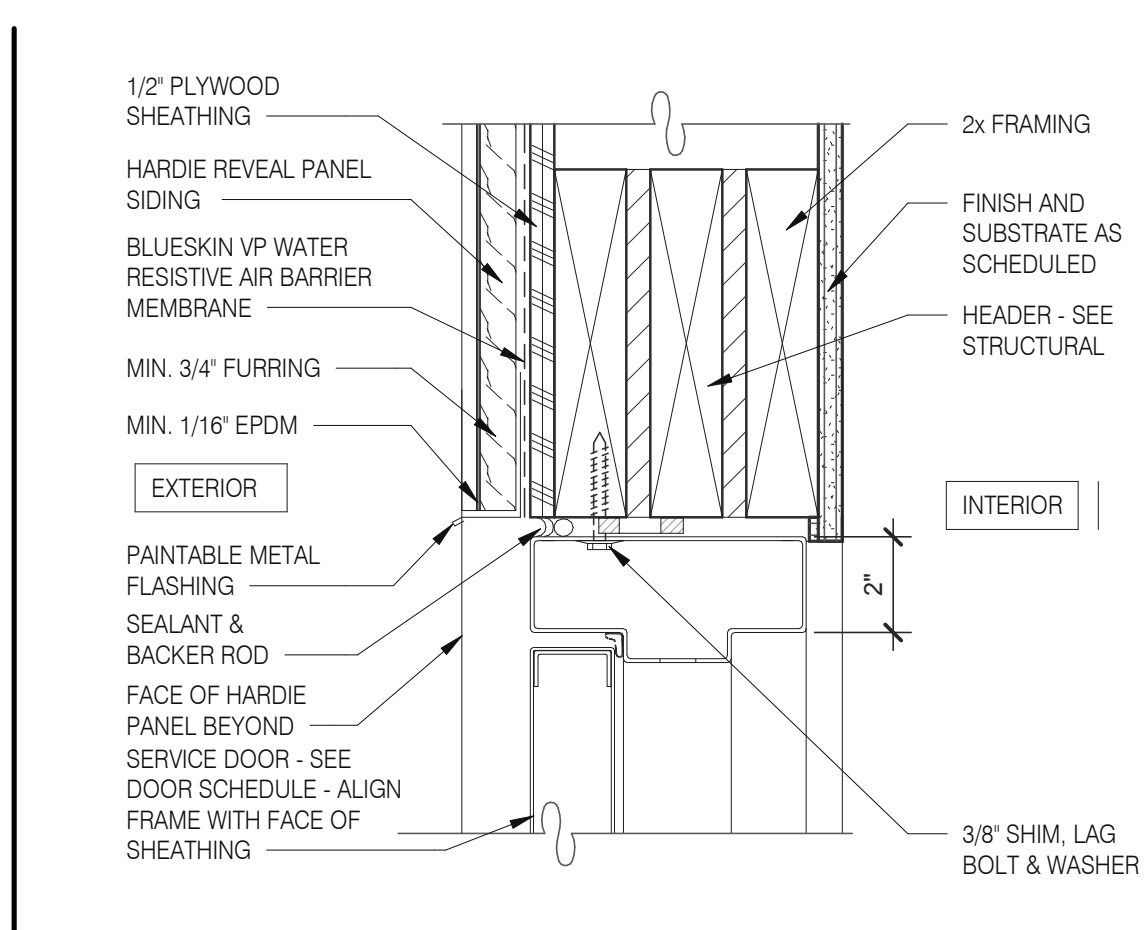
TYPICAL WINDOW SILL 3" = 1'-0" 2



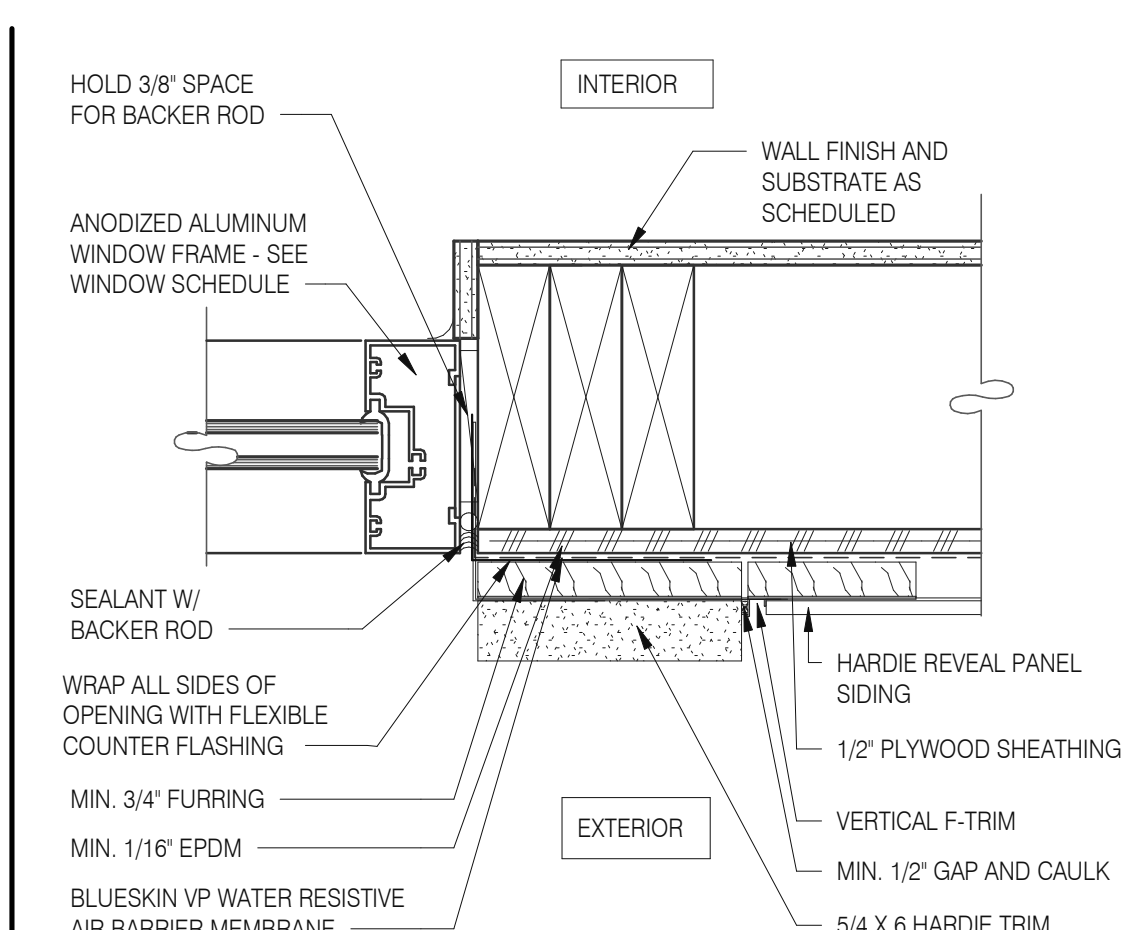
DOOR JAMB 3" = 1'-0" 16



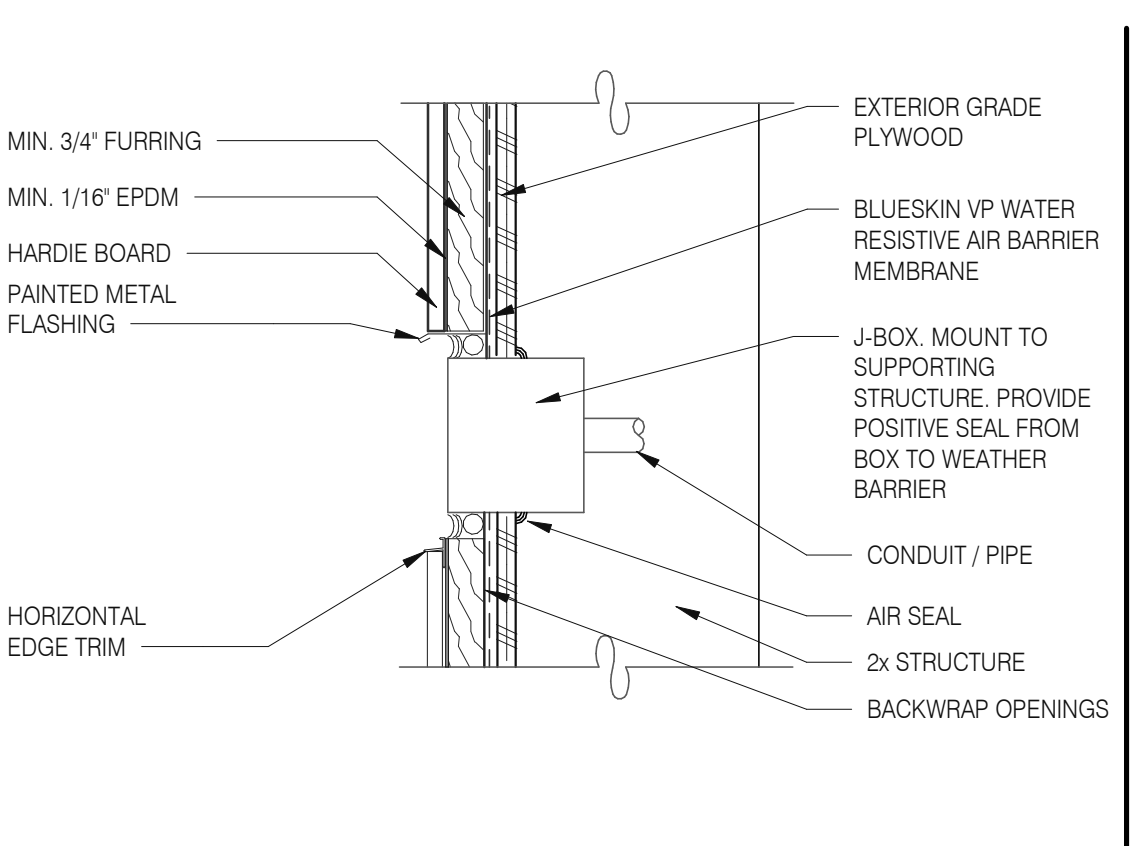
CONNECTION THRU EXT. FINISH 1" = 1'-0" 11



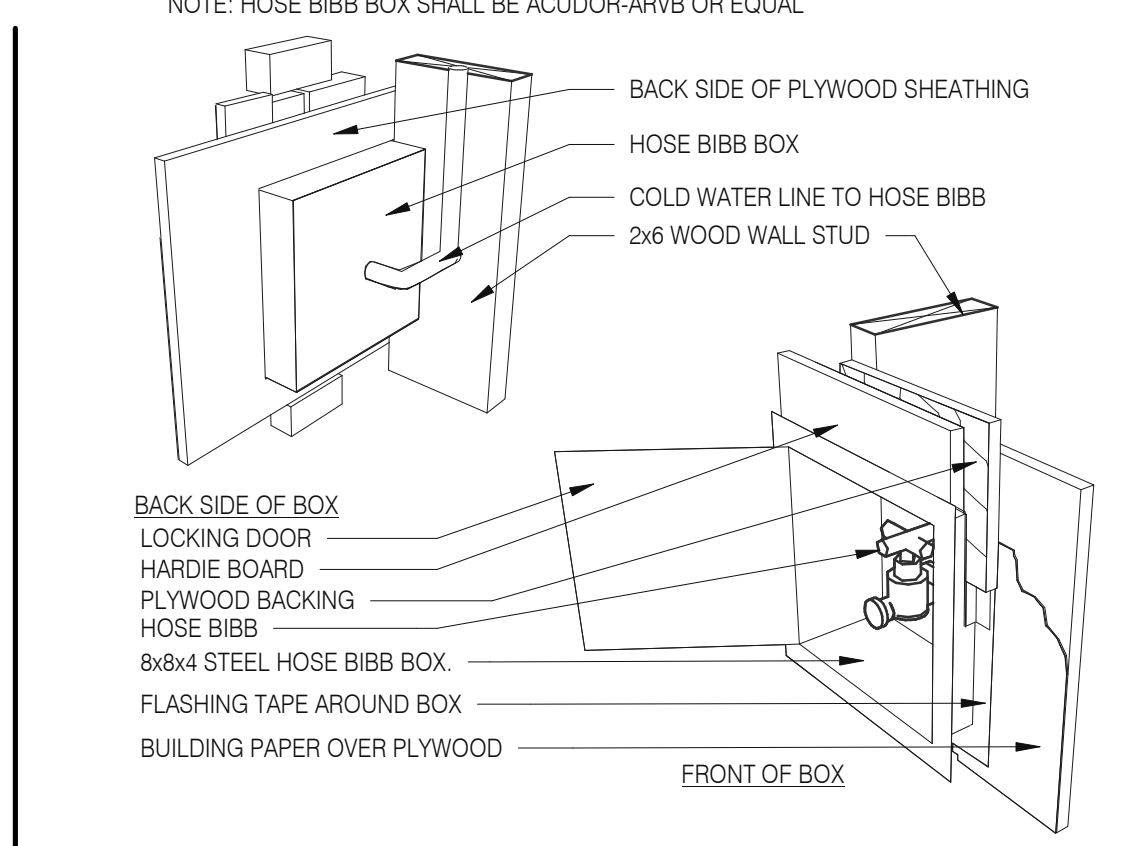
HEAD/ JAMB @ SERVICE DOOR 3" = 1'-0" 7



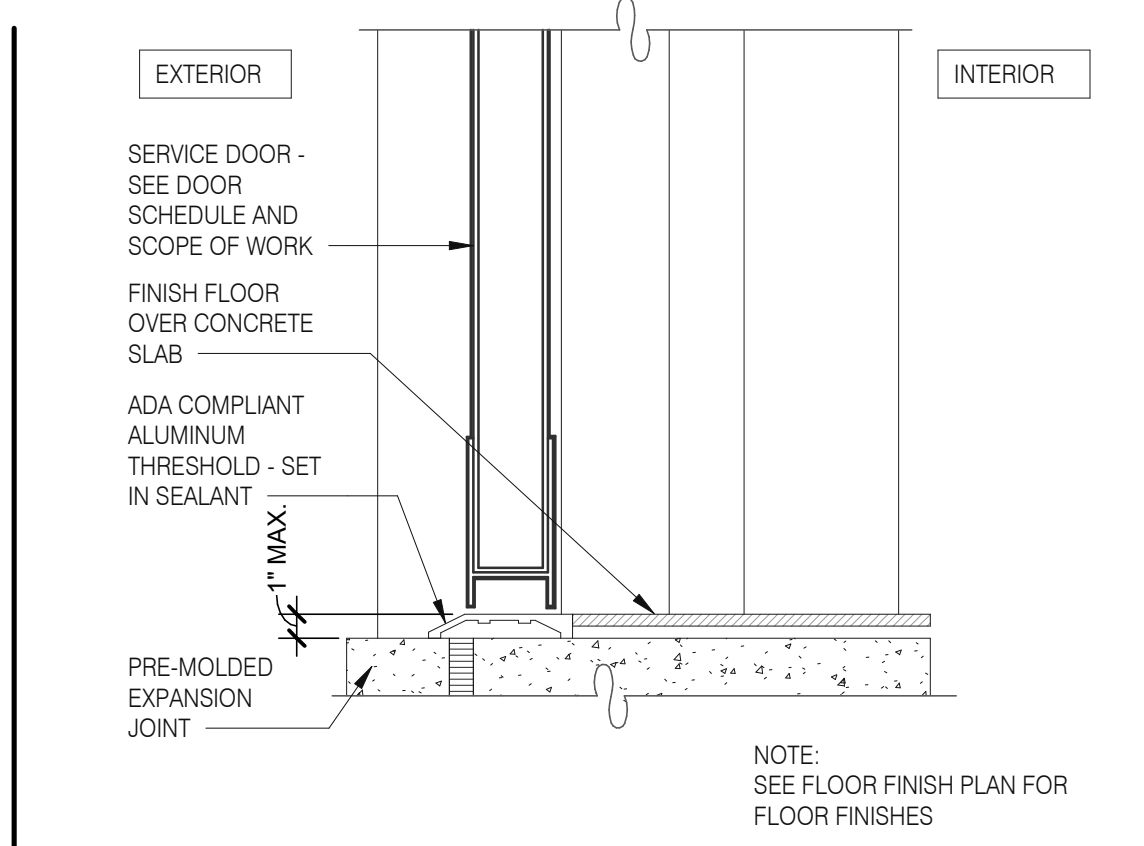
TYPICAL WINDOW JAMB 3" = 1'-0" 3



A61_C02 FILL / J-BOX 3" = 1'-0" 17



HOSE BIBB BOX 3" = 1'-0" 12



THRESHOLD @ SERVICE DOOR 3" = 1'-0" 8

DATE	REMARKS
05.06.22	Issued for Permit

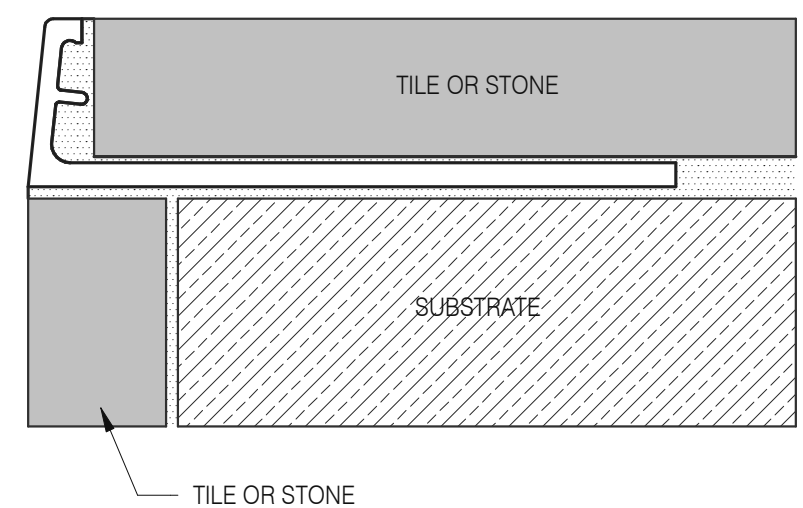
CONTRACT DATE: 10.06.21
 BUILDING TYPE: END, MED20
 PLAN VERSION: MARCH 2021
 BRAND DESIGNER: WANCHO
 SITE NUMBER: 0
 STORE NUMBER: 0
 PA/PM: AB
 DRAWN BY: RS
 JOB NO.: 2020188.06

TACO BELL
 3039 Dixie Highway
 Edgewood, KY 41017

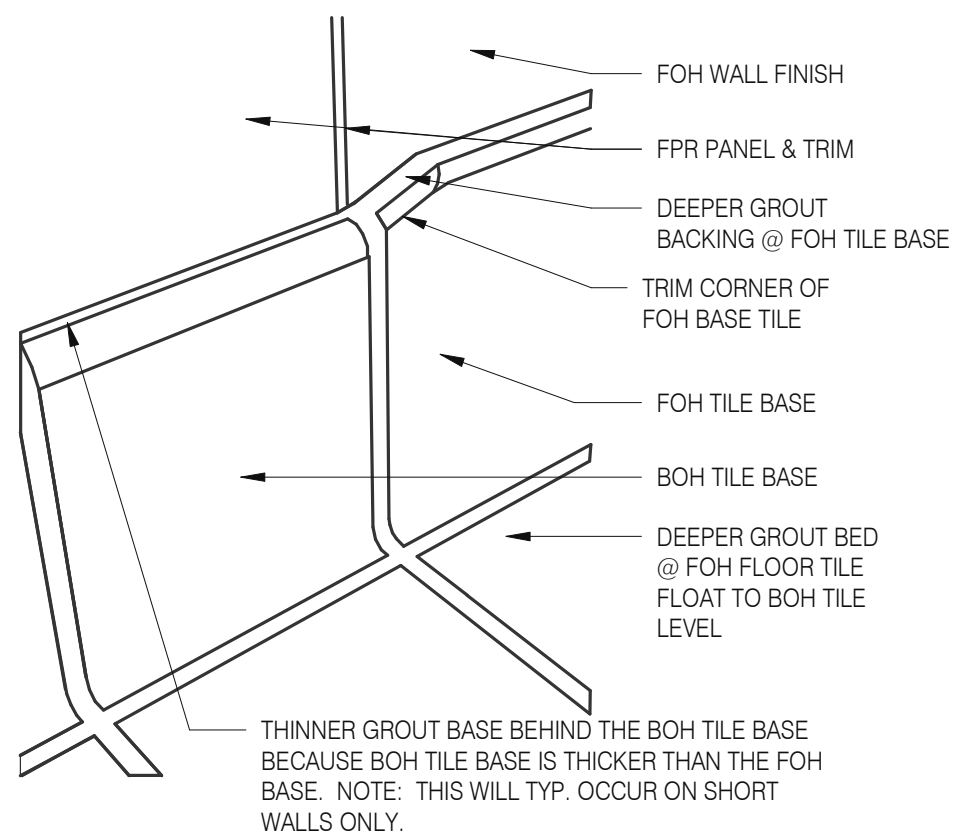


**ENDEAVOR 2.0
 CONSTRUCTION
 DETAILS
 DOOR/WINDOW**

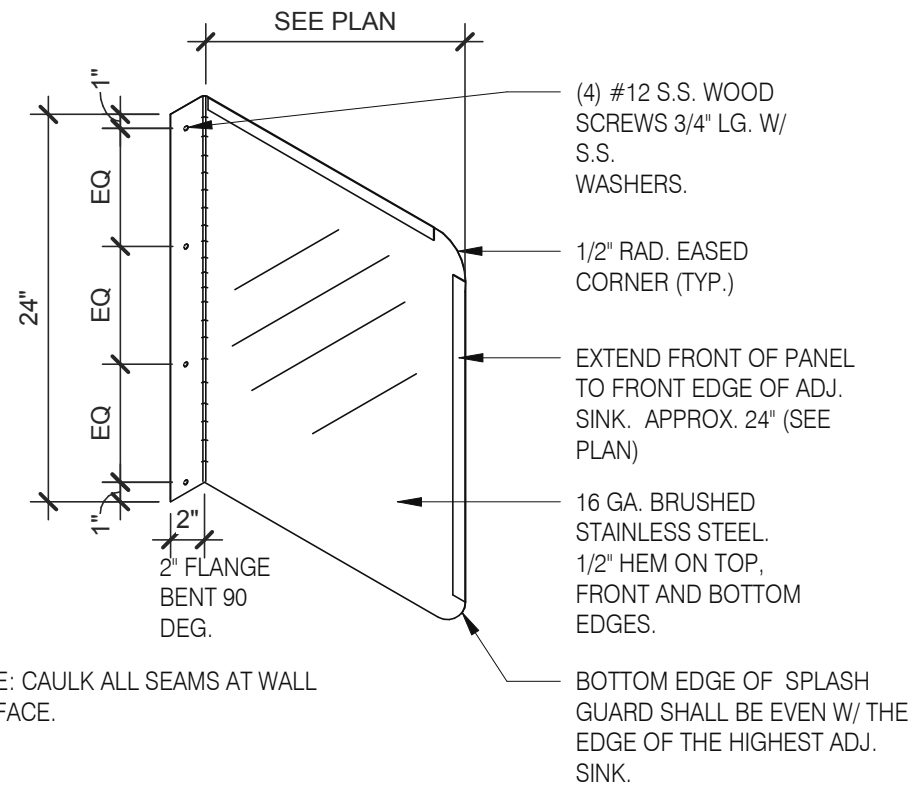
A6.1



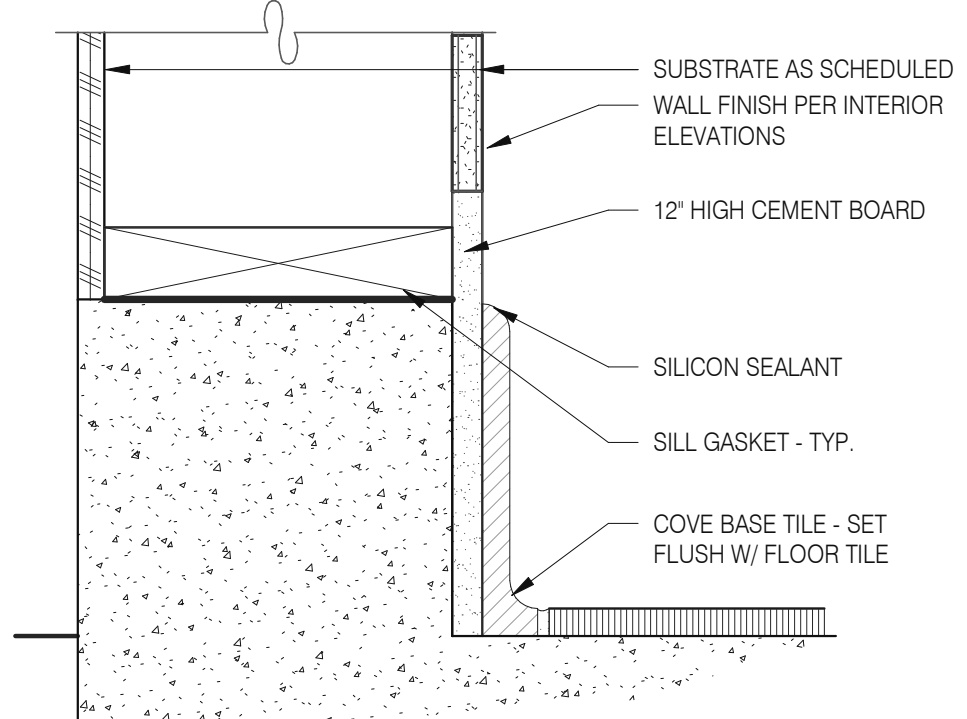
Schluter Jolly Corner Guard 1 1/2" = 1'-0" **17**



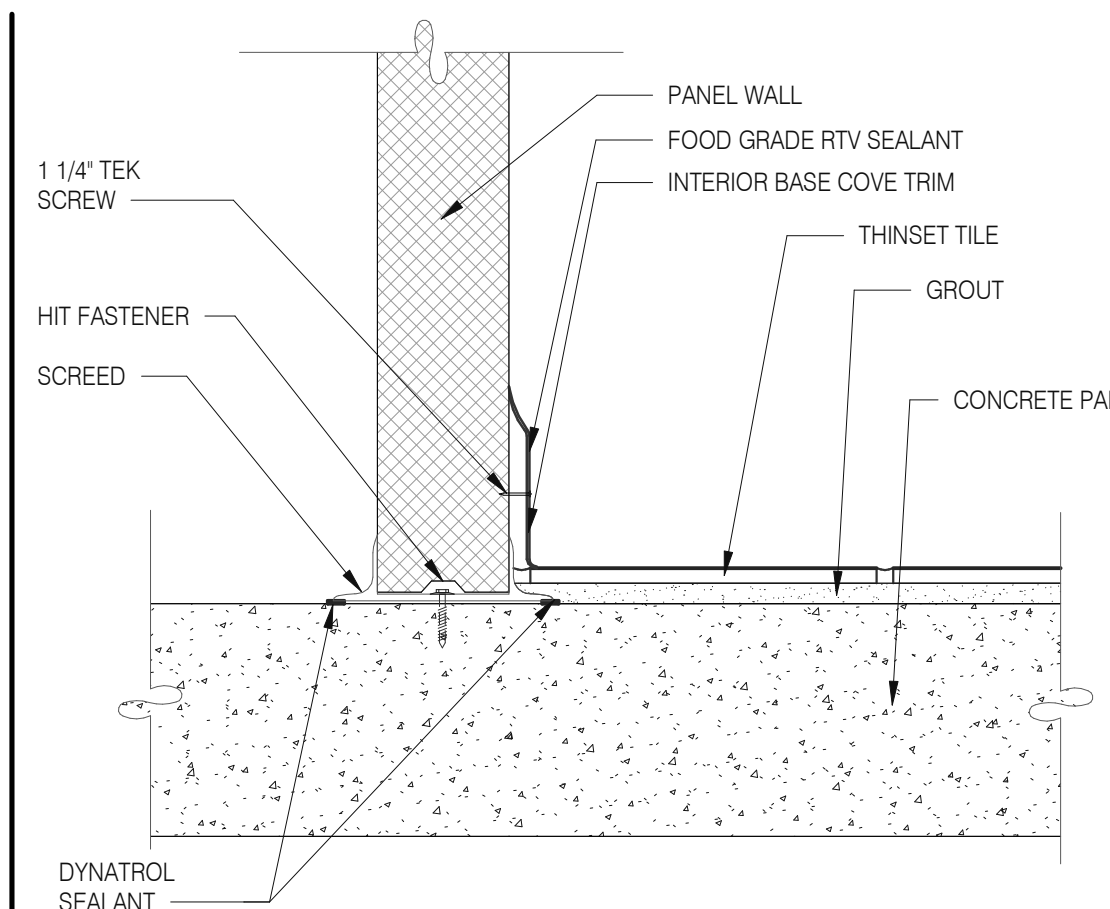
Tile Base Transition 12" = 1'-0" **13**



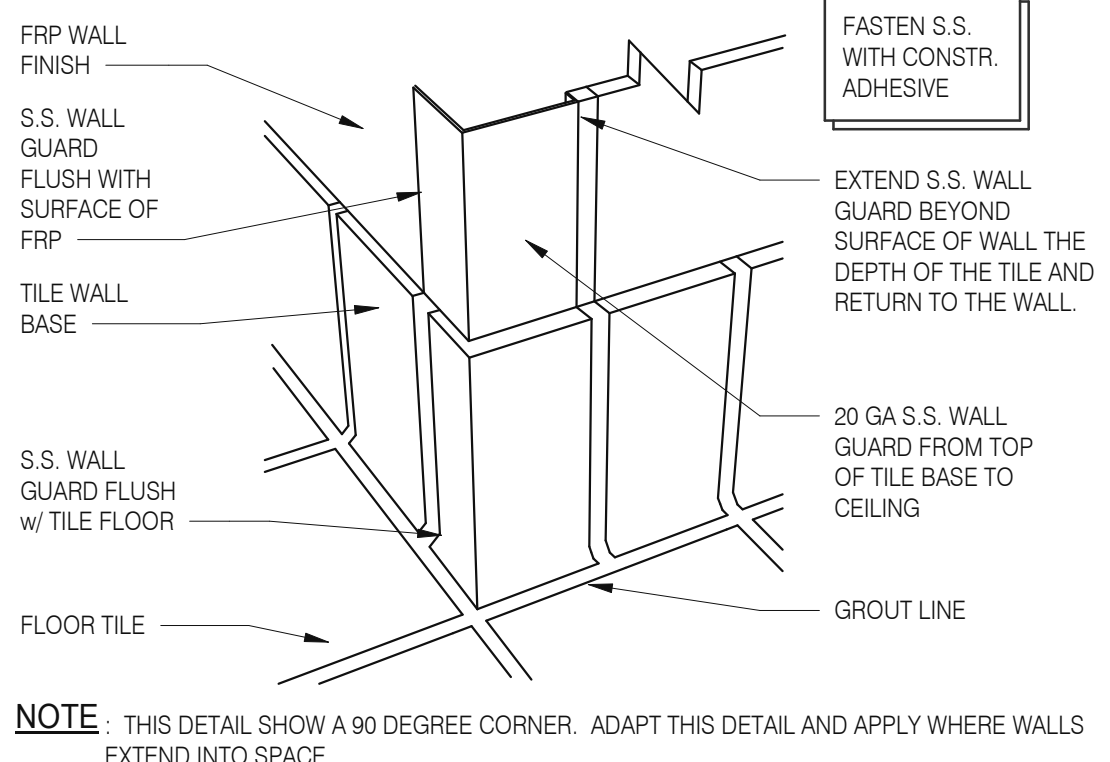
Splash Guard 1" = 1'-0" **9**



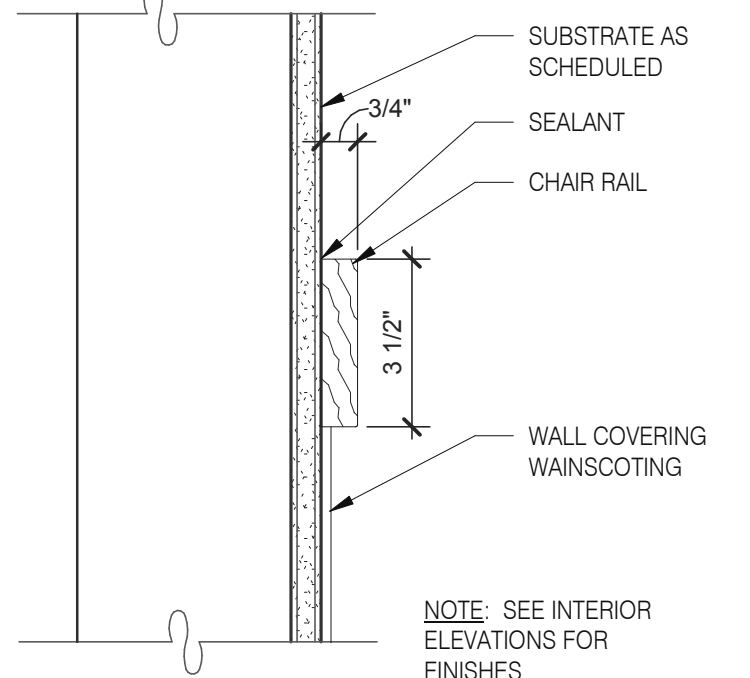
Base @ Dining Ext. Side Walls 3" = 1'-0" **5**



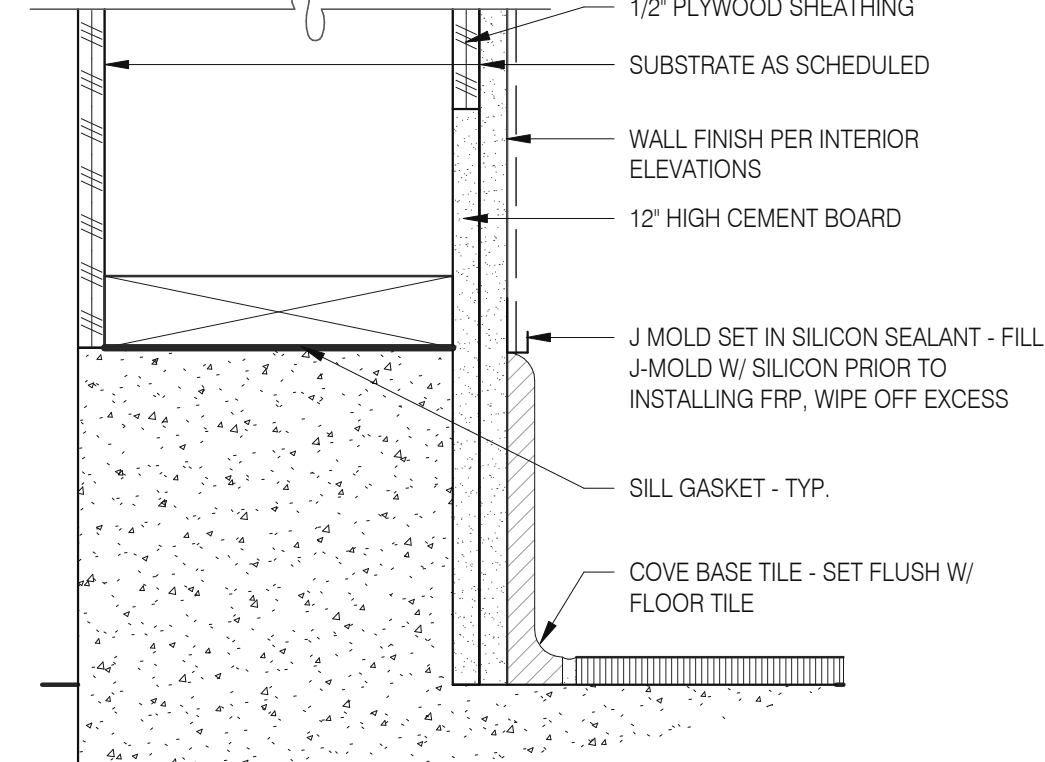
Walk-in Tile/Base 1 1 1/2" = 1'-0" **1**



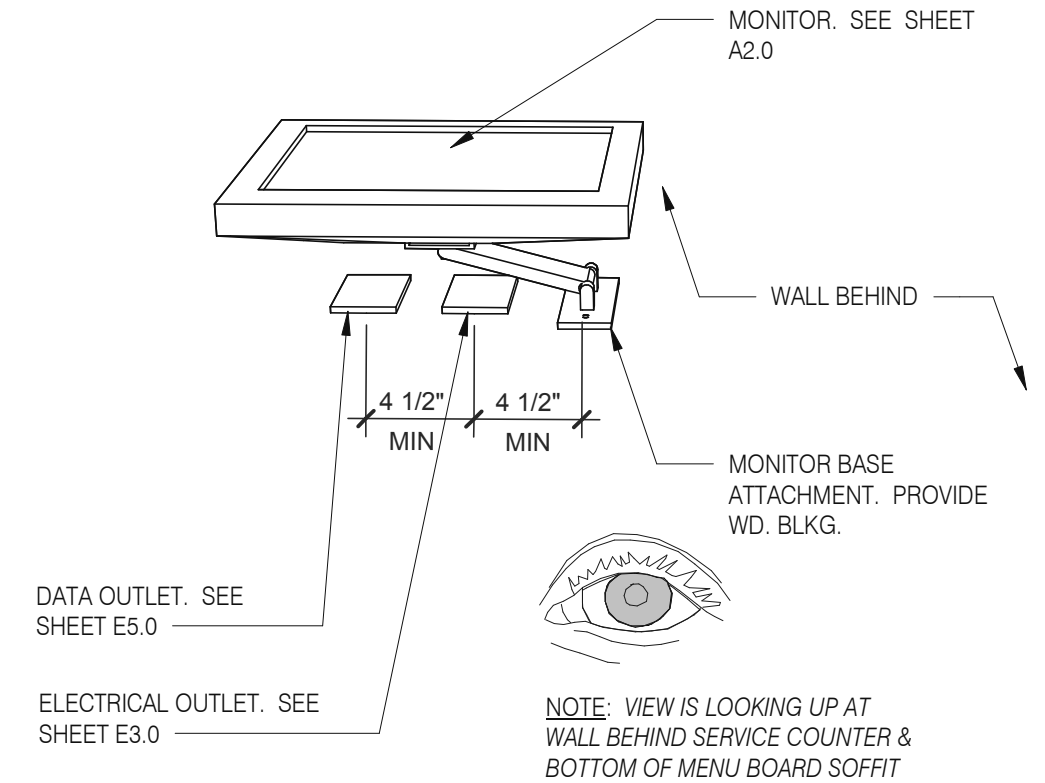
S.S. Corner & End Wall Guard 12" = 1'-0" **14**



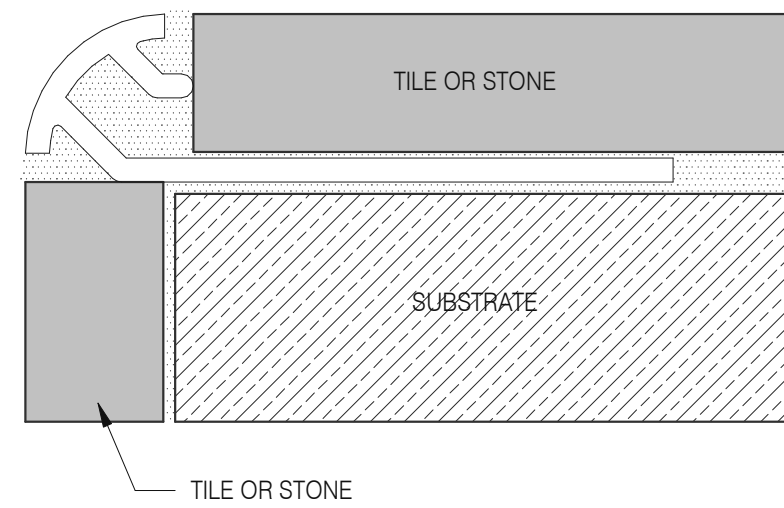
Chair Rail Detail 3" = 1'-0" **10**



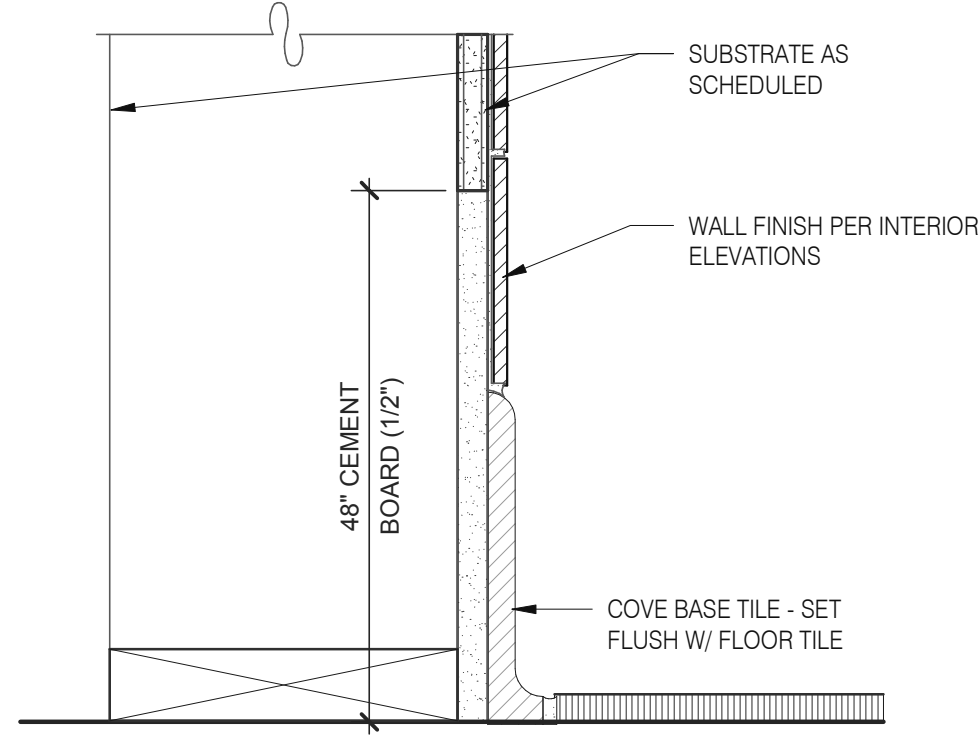
Base @ Ext. Wall 3" = 1'-0" **6**



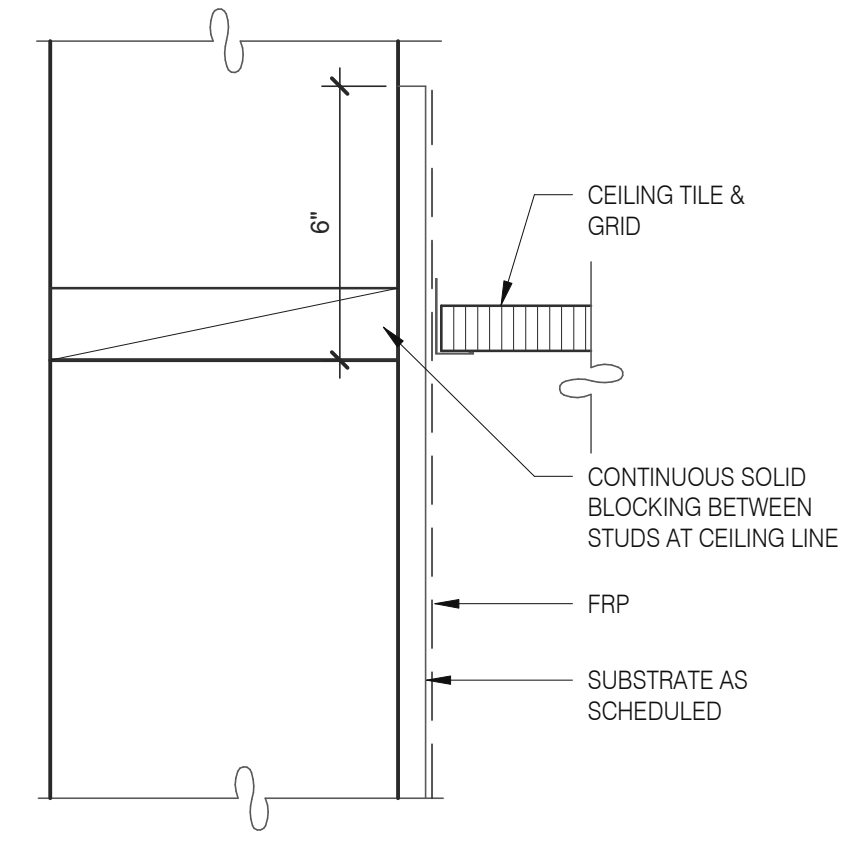
Wall Mount Monitor 1 1/2" = 1'-0" **2**



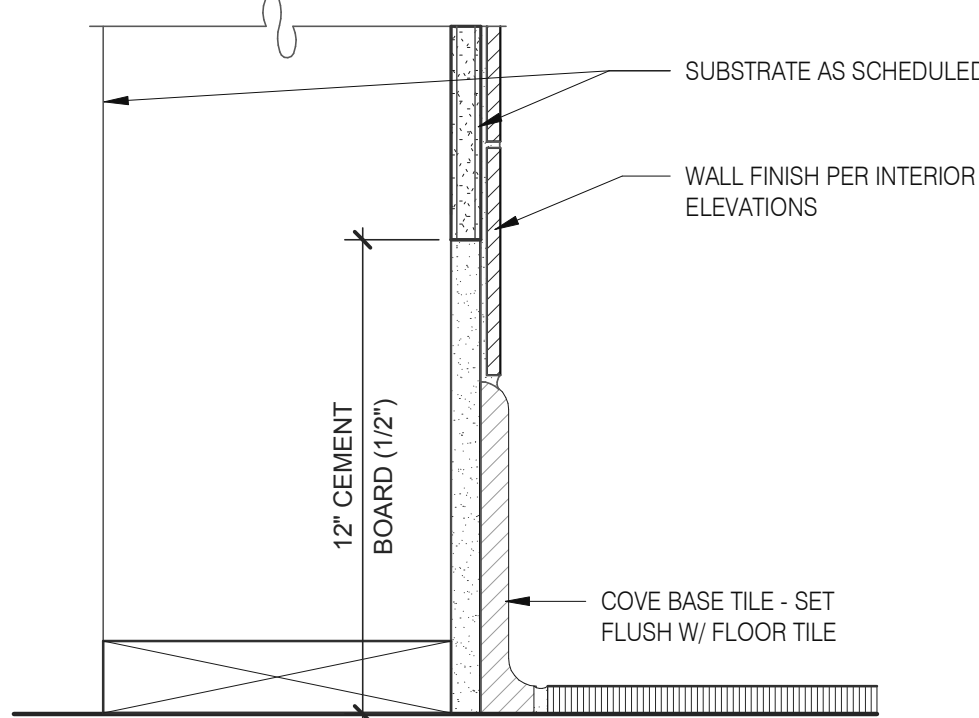
Schluter Corner Guard 1 1/2" = 1'-0" **15**



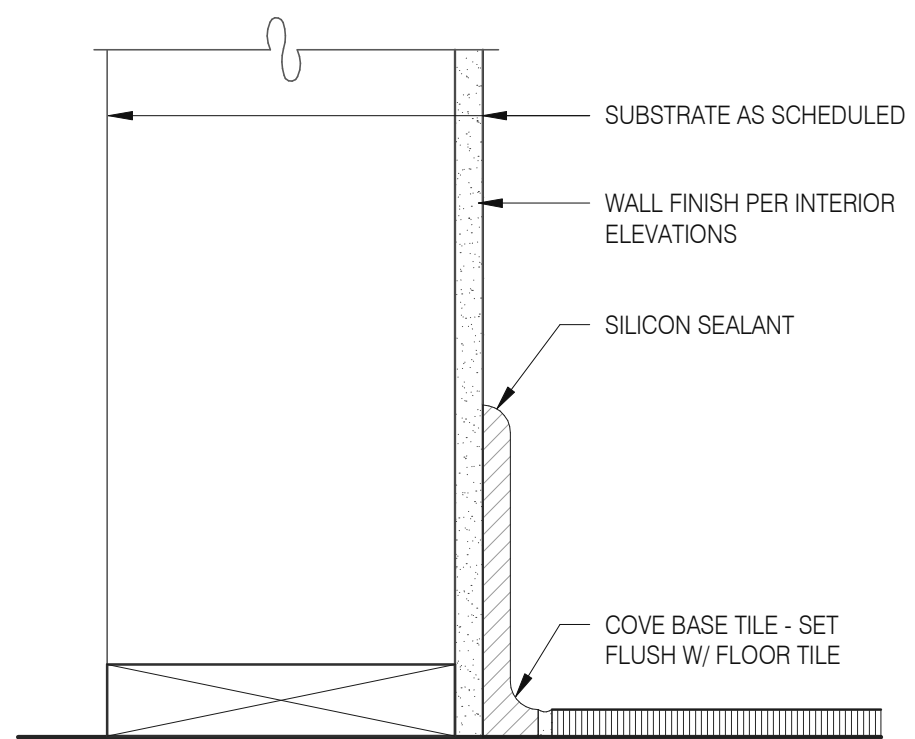
Base in Restroom 3" = 1'-0" **7**



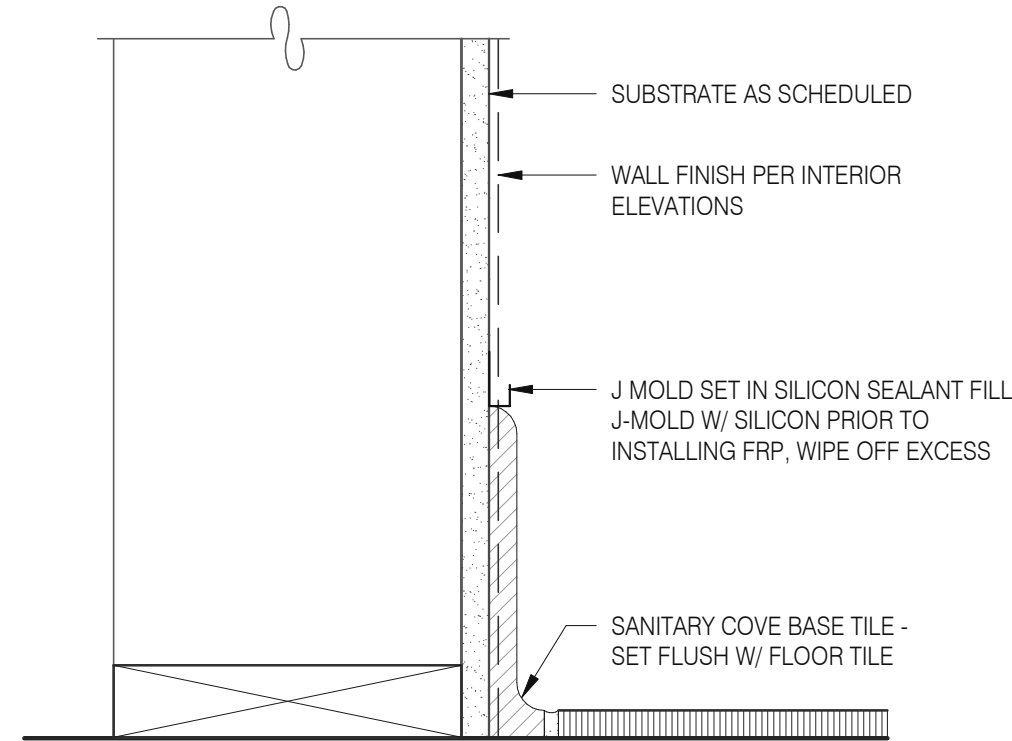
Kitchen Finish @ Ceiling 3" = 1'-0" **3**



Base @ Kitchen Wall 3" = 1'-0" **16**



Base @ Dining Room Int. Wall 3" = 1'-0" **8**



Base @ Dining Room Int. Wall 3" = 1'-0" **4**

DATE	REMARKS
05.06.22	Issued for Permit

CONTRACT DATE: 10.06.21
BUILDING TYPE: END, MED20
PLAN VERSION: MARCH 2021
BRAND DESIGNER: WANCHO
SITE NUMBER: 0
STORE NUMBER: 0
PA/PM: AB
DRAWN BY.: RS
JOB NO.: 2020188.06

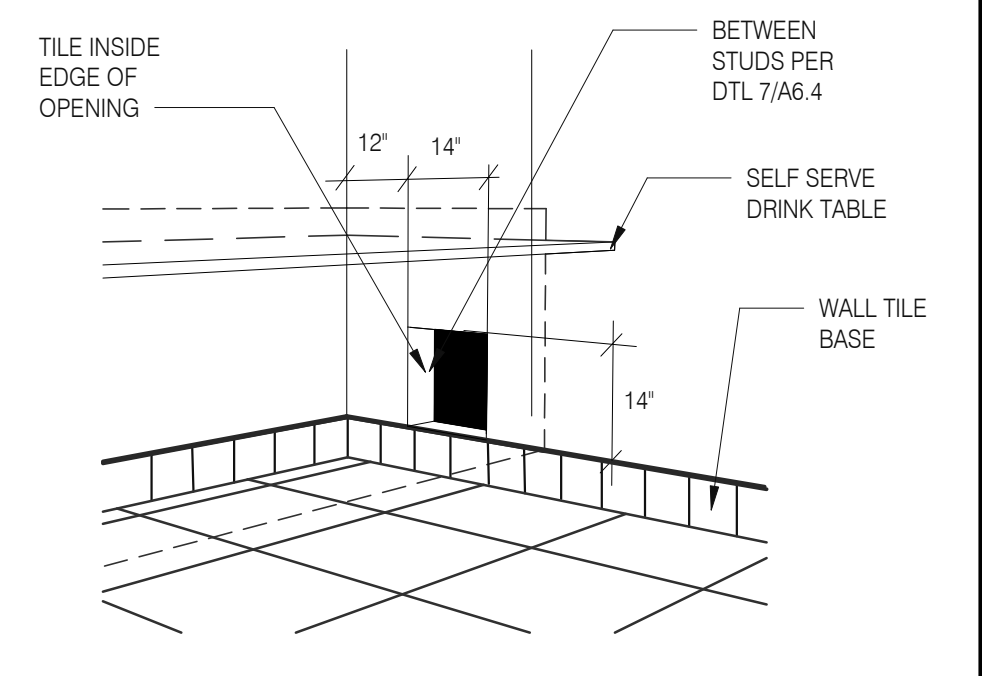
TACO BELL
3039 Dixie Highway
Edgewood, KY 41017



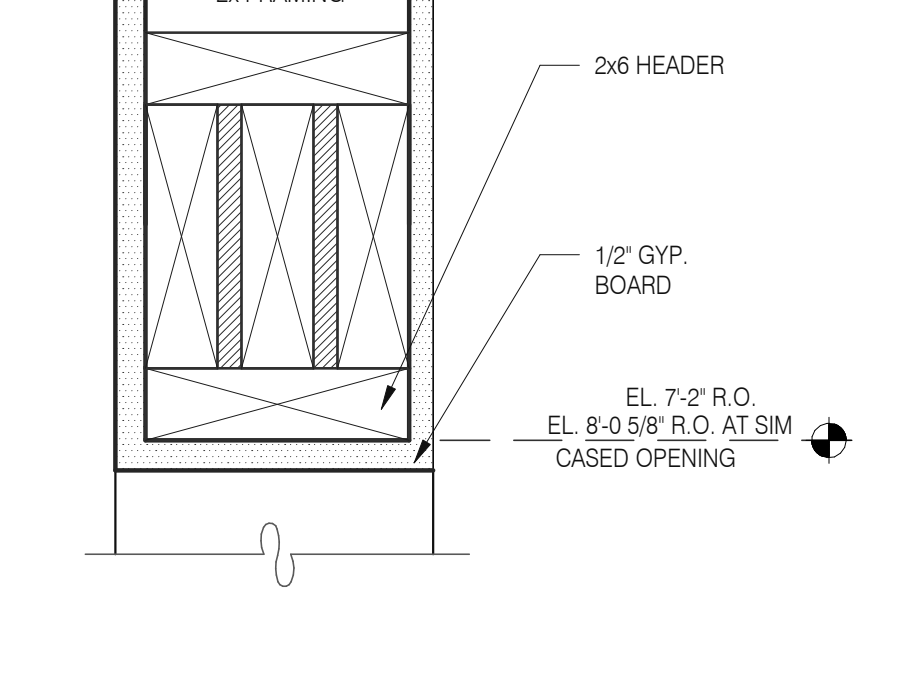
**ENDEAVOR 2.0
FINISH DETAILS**

A6.3

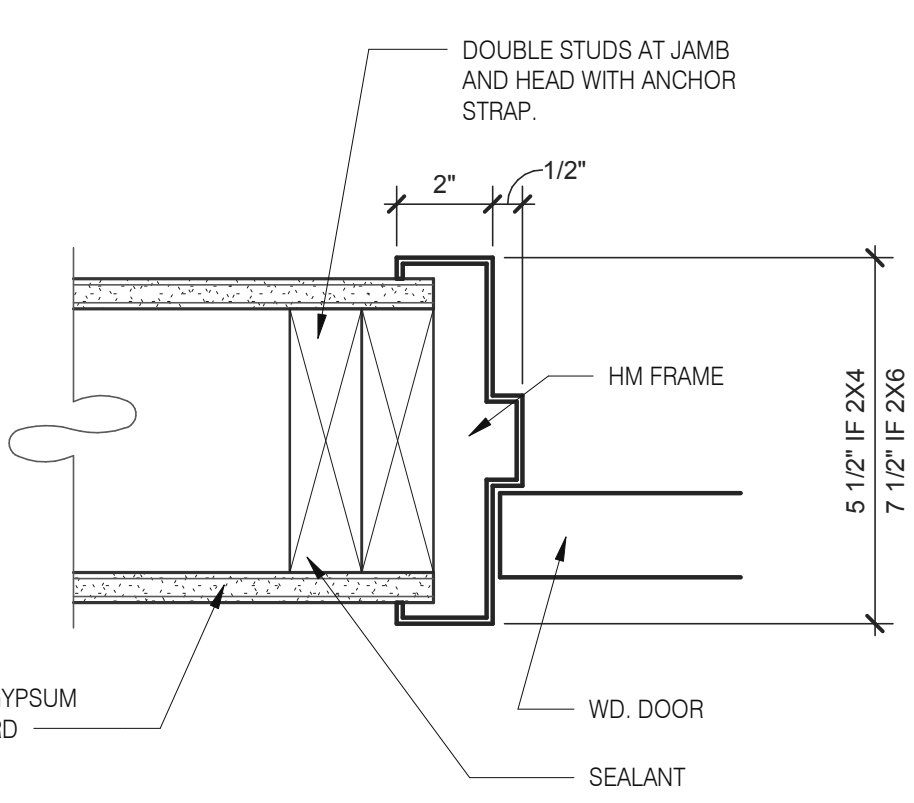
PLOT DATE: 5/5/2022 11:10:20 AM



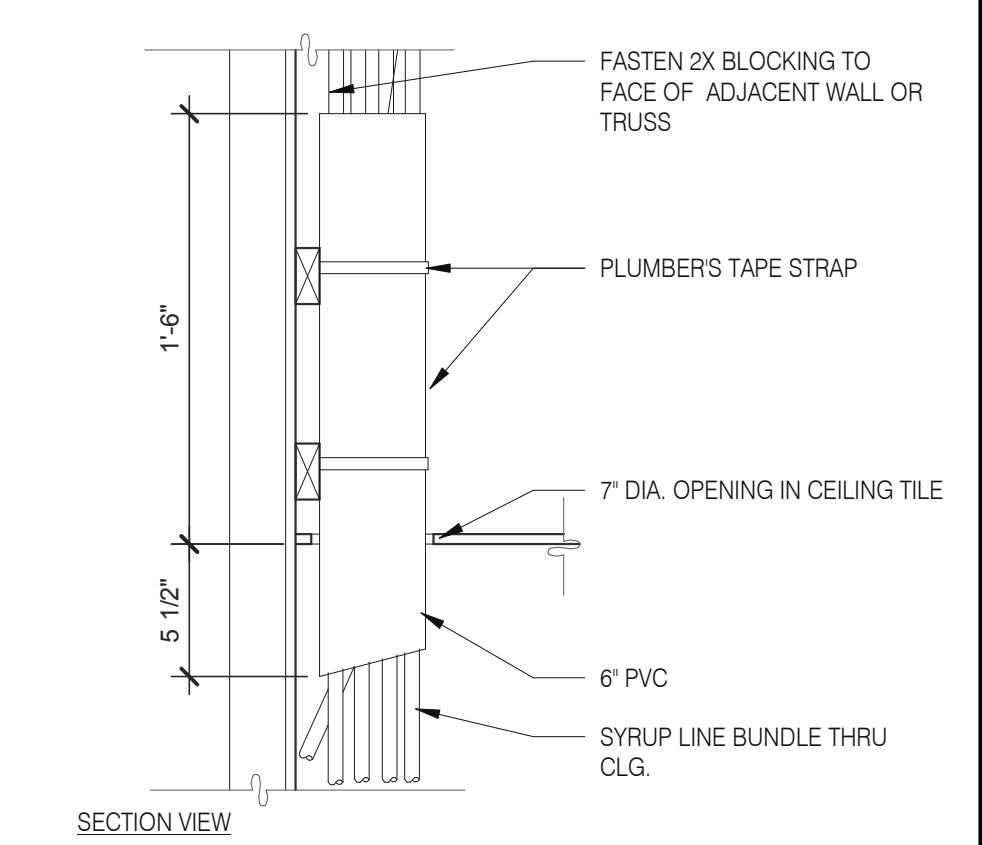
WALL PASS THRU N.T.S. **8**



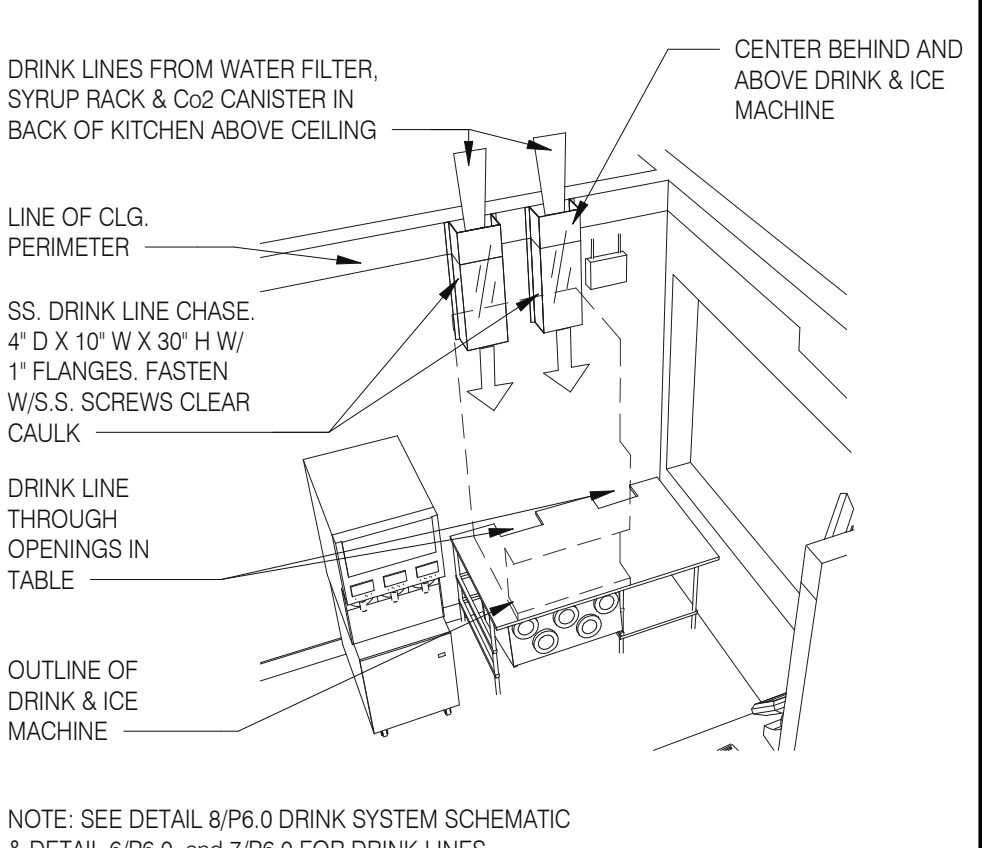
CASED OPENING DETAIL N.T.S. **5**



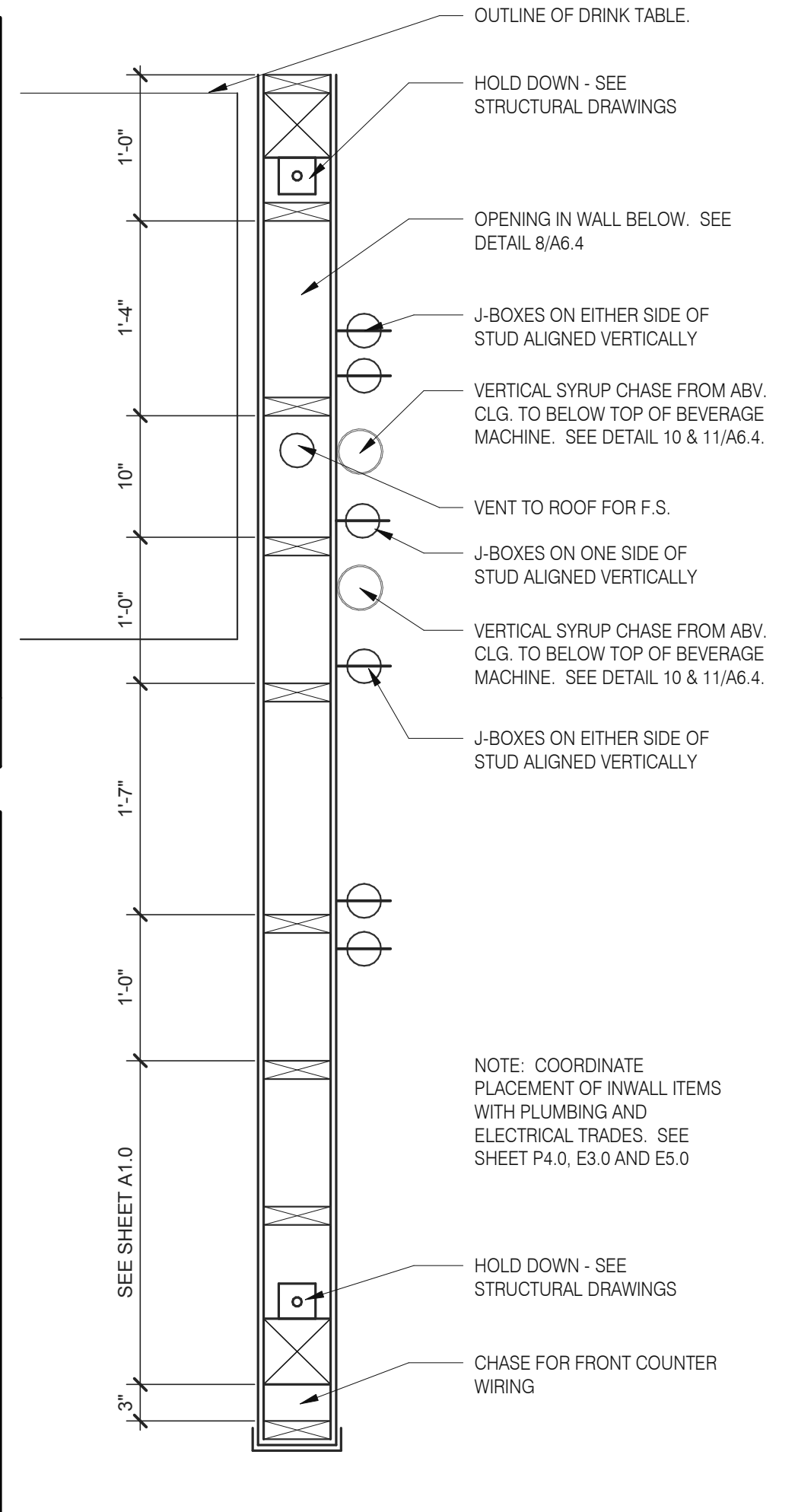
HEAD/JAMB @ H.M. DOOR N.T.S. **6**



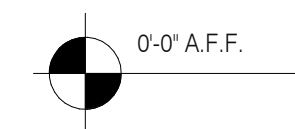
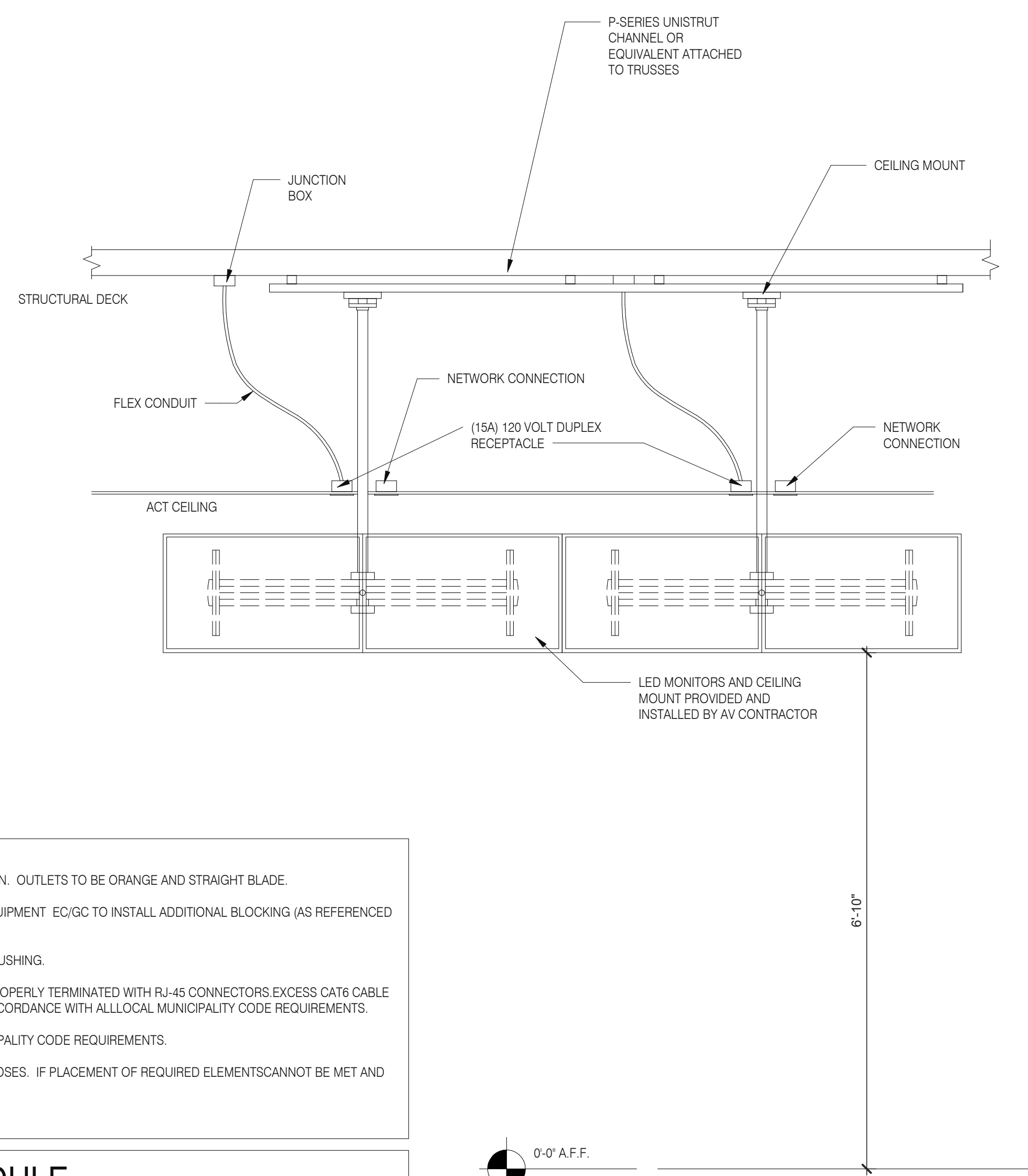
SYRUP BUNDLE CLG. 1 1/2" = 1'-0" **10**



SYRUP CHASE ON WALL 1 1/2" = 1'-0" **11**



INTERIOR CHASE WALL N.T.S. **7**



- NOTES:**
- EC/GC TO INSTALL A TOTAL OS (4) IGS262 DUPLEX OUTLET IN CEILING BOXES ON FRONT OF VALANCE WALL AS SHOWN. OUTLETS TO BE ORANGE AND STRAIGHT BLADE.
 - EC/GC TO EVALUATE VALANCE CEILING STRUCTURE TO ENSURE ADEQUATE SUPPORT OF DIGITAL MENU BOARDS EQUIPMENT EC/GC TO INSTALL ADDITIONAL BLOCKING (AS REFERENCED ON DRAWINGS) AS NEEDED TO ENSURE ADEQUATE SUPPORT OF DIGITAL MENU BOARDS
 - EC/GC TO INSTALL (1) DATA JUNCTION (JB) IN CEILING AS SHOWN. CONDUIT TERMINATED ABOVE CEILING TO HAVE BUSHING.
 - EC/GC TO RUN (3) CAT6 LINES FROM NETWORK SWITCH TO DATA JUNCTION BOX. CAT6 LINES SHOULD HAVE BOTH PROPERLY TERMINATED WITH RJ-45 CONNECTORS. EXCESS CAT6 CABLE TO BE COILED INTO SERVICE LOOPS AT EACH END AND LEFT ACCESSIBLE. FOR DMB INSTALL TEA. CAT6 TO BE RUN IN ACCORDANCE WITH ALL LOCAL MUNICIPALITY CODE REQUIREMENTS.
 - EC/GC SHALL ACQUIRE AND SECURE NY/ALL REQUIRED PERMITTING FOR THE WORK MENTIONED ABOVE PER MUNICIPALITY CODE REQUIREMENTS.
 - DRAWING PROVIDED IS FOR INSTALLATION OF DMB EQUIPMENT ONLY. NOT TO BE USED FOR ARCHITECTURAL PURPOSES. IF PLACEMENT OF REQUIRED ELEMENTS CANNOT BE MET AND WILL EXCEED A 3IN DEVIATION, STRATACACHE MUST BE NOTIFIED IMMEDIATELY.

JB = JUNCTION BOX
GC = GENERAL CONTRACTOR
EC = ELECTRICAL CONTRACTOR

ELECTRICAL SCHEDULE

QTY	DESCRIPTION	VOLT/PH	BRK SIZE	COND/WIRE	PNL/CCT	RECP TYPE	HGT AFF	REQUIREMENTS & REMARKS
4	MENU BOARD - DIGITAL & MEDIA PLAYER	120/1 ISOLATED	20A	-----	-----	(4) IGS262	SEE PLAN	SEE LAYOUT AND NOTES

FOR REFERENCE ONLY VERIFY SITE SPECIFIC REQUIREMENTS WITH VENDOR

A64_MENU BOARD MOUNTING DETAIL 3/4" = 1'-0" **1**

DATE	REMARKS
05.06.22	Issued for Permit

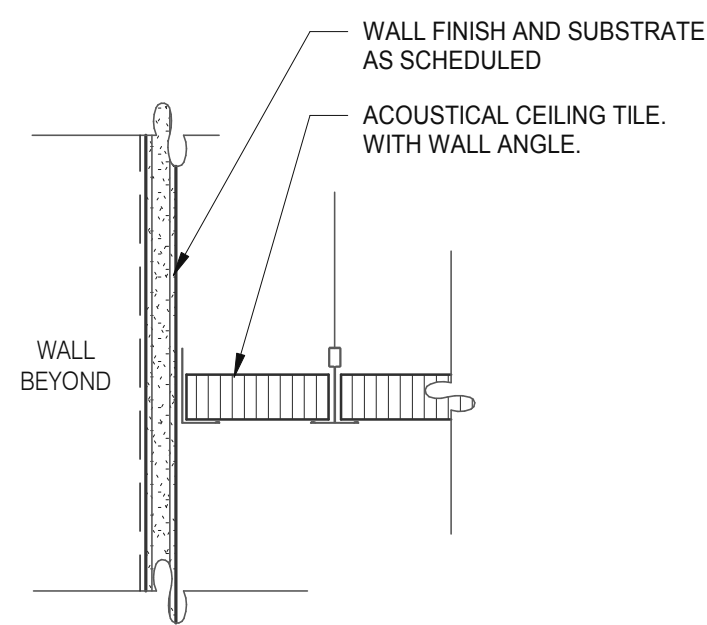
CONTRACT DATE: 10.06.21
BUILDING TYPE: END. MED40
PLAN VERSION: MARCH 2020
BRAND DESIGNER: WANCHO
SITE NUMBER: 0
STORE NUMBER: 0
PA/PM: AB
DRAWN BY.: CS
JOB NO.: 2020188.06

TACO BELL
3039 Dixie Highway
Edgewood, KY 41017

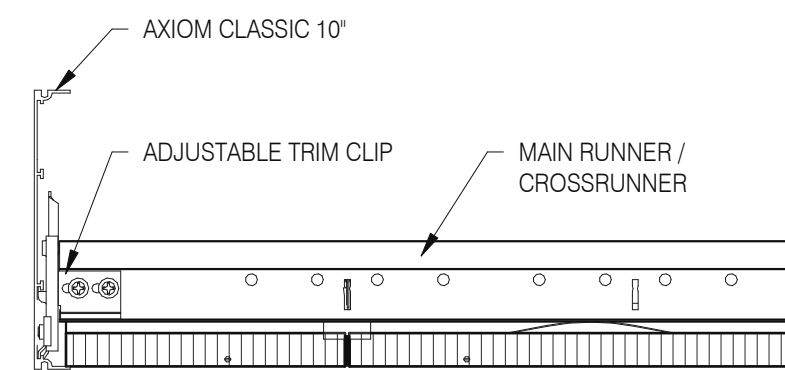
ENDEAVOR 1.0
CONSTRUCTION DETAILS INTERIOR

A6.4
PLOT DATE: 5/5/2022 11:10:24 AM

C:\Users\miller\Documents\ARCH_L\BMO_Emanager_KY\Mktrend_M\Bharat\GPD\document

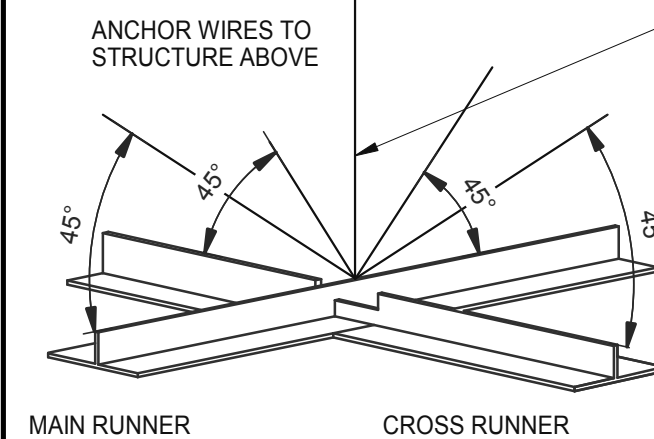


GYPSUM BOARD TRANSITION 3" = 1'-0" **17**



ASSEMBLY CLIP-ON 3" = 1'-0" **13**

LATERAL BRACING: 4-12 GA. WIRES SECURED TO MAIN RUNNER WITHIN 2" OF CROSS RUNNER INTERSECTION AND SPLAYED 90° FROM EACH OTHER AT ANGLE NOT TO EXCEED 45° FROM THE PLANE OF THE CEILING TYP. @ 12'-0" EA. WAY BEGINNING 6'-0" MAX. FROM WALL.



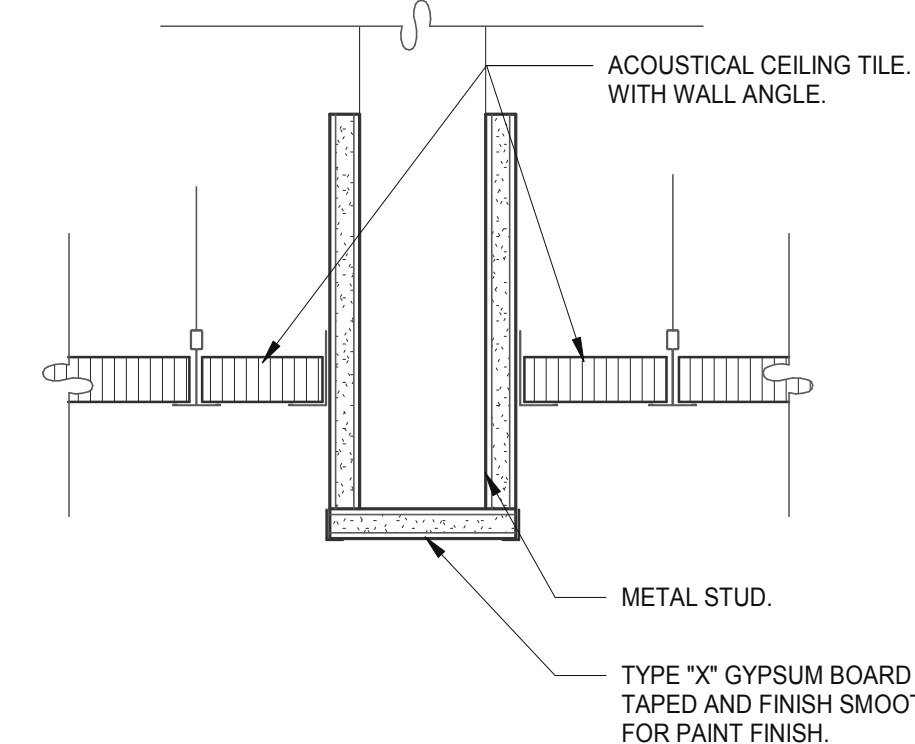
SUSPENDED ACOUSTICAL CEILING 3" = 1'-0" **9**

AT SUSPENDED CEILING: VERTICAL HANGER WIRE AT 4'-0" O.C. W/ (2) 1 1/2" X 9" GA. STAPLES @ LOOP & (1) ACROSS LAP. 3 FULL TURNS MINIMUM WITHIN 3" LENGTH

AT OPEN GRID: VERTICAL SUSPENSION WITH THREADED ROD PER OTHER DETAILS.

NOTE:

- ALL WIRES 12 GA.
- PROVIDE 6" CLEARANCE AT ALL PIPES & DUCTS, ETC.
- BRACING WIRES MUST BE ATTACHED TO THE GRID AND TO THE STRUCTURE IN SUCH A MANNER THAT THEY CAN SUPPORT A DESIGN LOAD OF NOT LESS THAN 200 POUNDS OR THE ACTUAL LOADS, WHICHEVER IS GREATER, WITH A SAFETY FACTOR OF 2.



CEILING HEADER TRANSITION 3" = 1'-0" **5**

MEMBER DEPTH:
(EXAMPLE: 6" = 600 X 1/100 INCHES)
ALL MEMBER DEPTHS ARE TAKEN IN 1/100 INCHES. FOR ALL "T" SECTIONS MEMBER DEPTH IS THE INSIDE DIMENSION.

FLANGE WIDTH:
(EXAMPLE: 1 5/8" = 1.625" - 162 X 1/100 INCHES) ALL FLANGE WIDTHS ARE TAKEN IN 1/100 INCHES.

MATERIAL THICKNESS:
(EXAMPLE: 0.054 IN. = 54 MILS: 1 MIL = 1/1000 IN.) MATERIAL THICKNESS IS THE MINIMUM BASE METAL THICKNESS IN MILS. MINIMUM BASE METAL THICKNESS REPRESENTS 95% OF THE DESIGN THICKNESS.

STYLE:
(EXAMPLE: STUD OR JOIST SECTION = S)
THE FOUR ALPHA CHARACTERS UTILIZED BY THE DESIGNATOR SYSTEM ARE:
S = STUD OR JOIST, T = TRACK, U = CHANNEL, F = FURRING

CEILING SPAN TABLE NOTES:

- VALUES ARE FOR SINGLE SPANS.
- ALLOWABLE CEILING SPAN CALCULATIONS BASED ON 33KSI YIELD STRENGTH STEEL.
- FOR FULLY BRACED CEILINGS, USE MID-SPAN BRACED VALUES.
- END BEARING LENGTH = 1" MINIMUM.

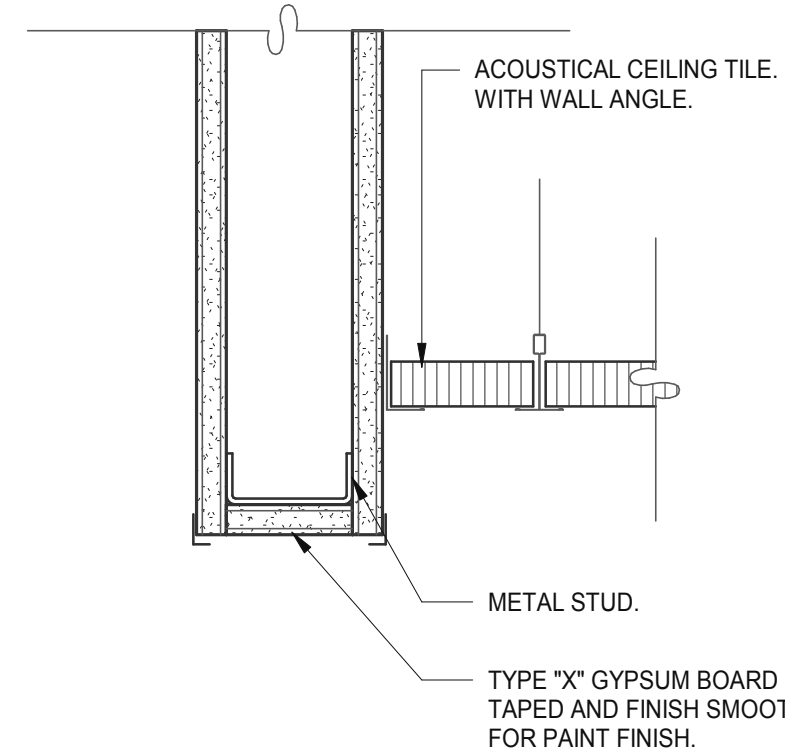
SECTION:	(MIL)	4 PSF LATERAL SUPPORT OF COMPRESSION FLANGE UNSUPPORTED					
		JOIST SPACING (IN.) O.C.			MID-SPAN JOIST SPACING (IN.) O.C.		
		12"	16"	24"	12"	16"	24"
362S125	18	9'-3"	8'-7"	7'-7"	12'-8"	11'-7"	10'-0"
362S125	27	10'-8"	9'-10"	8'-10"	15'-0"	13'-11"	12'-4"
362S125	30	11'-0"	10'-2"	9'-1"	15'-6"	14'-4"	12'-10"
362S125	33	11'-5"	10'-7"	9'-5"	16'-2"	14'-10"	13'-3"
362S125	43	12'-8"	11'-8"	10'-5"	17'-9"	16'-5"	14'-8"
362S137	27	12'-0"	11'-2"	10'-0"	17'-2"	15'-11"	14'-3"
362S137	33	12'-11"	11'-11"	10'-8"	18'-4"	16'-11"	15'-2"
362S137	43	14'-3"	13'-2"	11'-8"	20'-0"	18'-6"	16'-7"
362S162	33	14'-8"	13'-7"	12'-2"	20'-10"	18'-11"	16'-6"
362S162	43	16'-2"	14'-11"	13'-4"	22'-8"	20'-7"	18'-0"
400S125	27	10'-11"	10'-1"	9'-1"	15'-5"	14'-3"	12'-9"
400S125	30	11'-4"	10'-5"	9'-4"	16'-0"	14'-9"	13'-2"
400S125	33	11'-9"	10'-10"	9'-8"	16'-7"	15'-3"	13'-8"
400S125	43	13'-0"	12'-0"	10'-8"	18'-3"	16'-10"	15'-0"
400S137	27	12'-4"	11'-5"	10'-3"	17'-7"	16'-4"	14'-8"
400S137	33	13'-3"	12'-3"	10'-11"	18'-9"	17'-4"	15'-7"
400S137	43	14'-7"	13'-6"	12'-0"	20'-7"	19'-0"	17'-0"
400S162	33	15'-0"	13'-11"	12'-6"	21'-5"	19'-10"	17'-9"
400S162	43	16'-7"	15'-3"	13'-8"	23'-4"	21'-7"	19'-4"
600S125	27	12'-5"	11'-6"	10'-4"	17'-11"	16'-6"	14'-9"
600S125	30	12'-9"	11'-10"	10'-8"	18'-5"	17'-1"	15'-3"
600S125	33	13'-2"	12'-3"	11'-0"	18'-11"	17'-7"	15'-10"
600S125	43	14'-6"	13'-4"	11'-11"	20'-6"	19'-0"	17'-0"
600S137	33	14'-11"	13'-9"	12'-5"	21'-5"	19'-10"	17'-10"
600S137	43	16'-3"	15'-0"	13'-5"	23'-1"	21'-5"	19'-3"
600S162	33	16'-11"	15'-8"	14'-1"	24'-5"	22'-8"	20'-5"
600S162	43	18'-5"	17'-0"	15'-3"	26'-4"	24'-4"	21'-11"

NOTE: ALL JOIST INFORMATION IS BASED ON STEEL STUD MANUFACTURERS ASSOCIATION (SSMA) ICC ESR-3064P

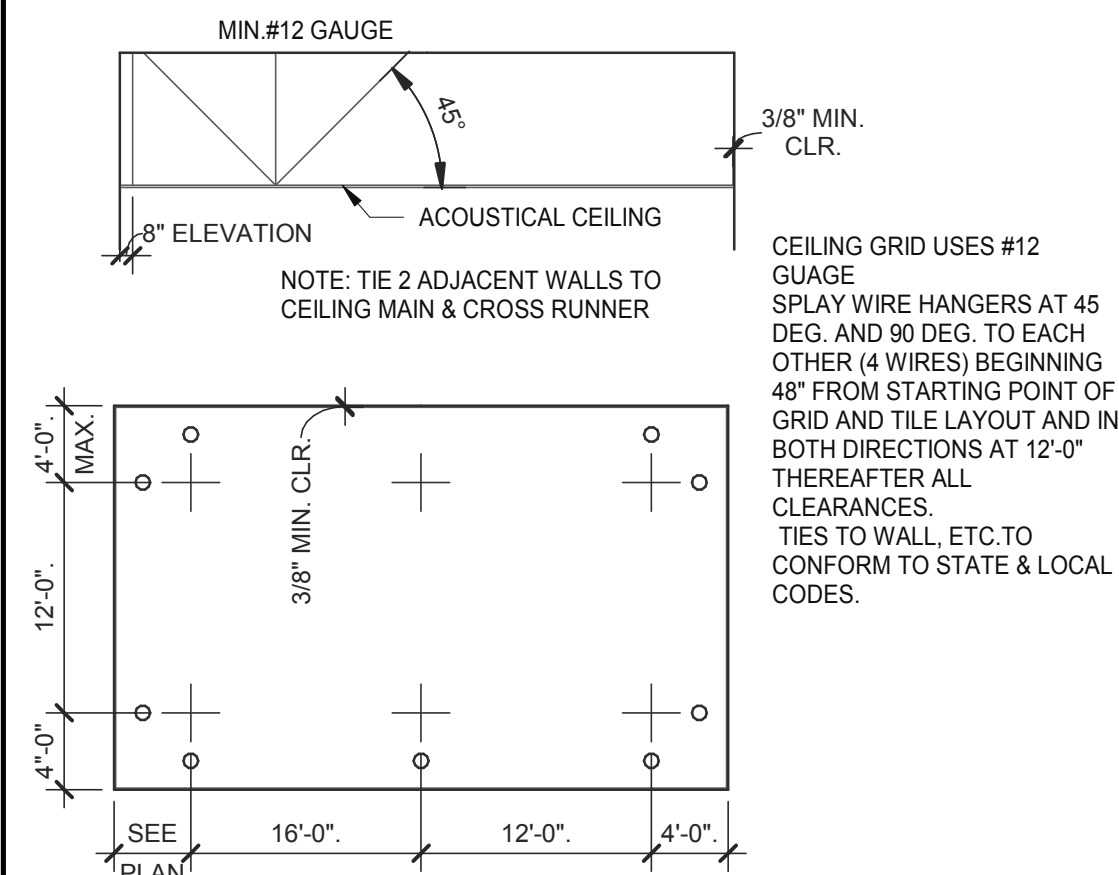
INDICATES THAT WEB STIFFENERS ARE REQUIRED AT ENDS

DATE	REMARKS
05.06.22	Issued for Permit

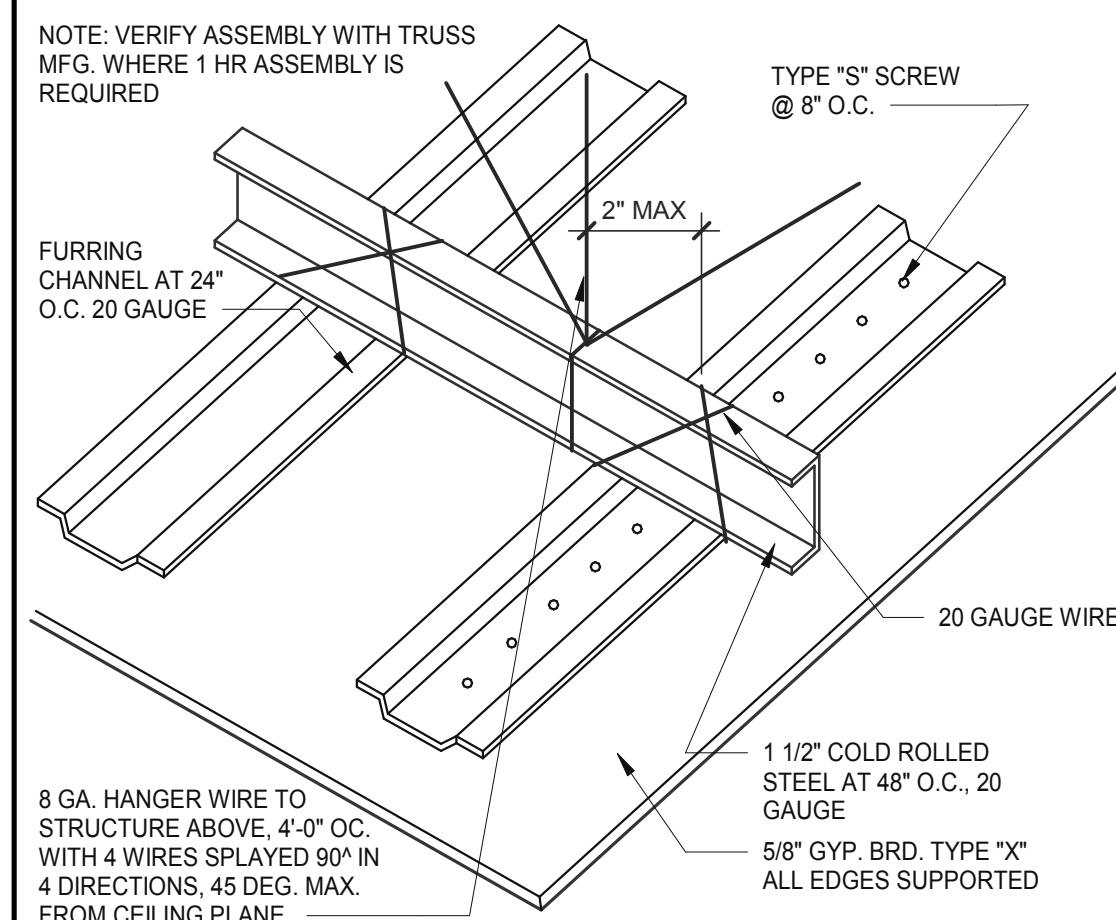
CONTRACT DATE: 10.06.21
BUILDING TYPE: END, MED20
PLAN VERSION: MARCH 2021
BRAND DESIGNER: WANCHO
SITE NUMBER: 0
STORE NUMBER: 0
PA/PM: AB
DRAWN BY.: RS
JOB NO.: 2020188.06



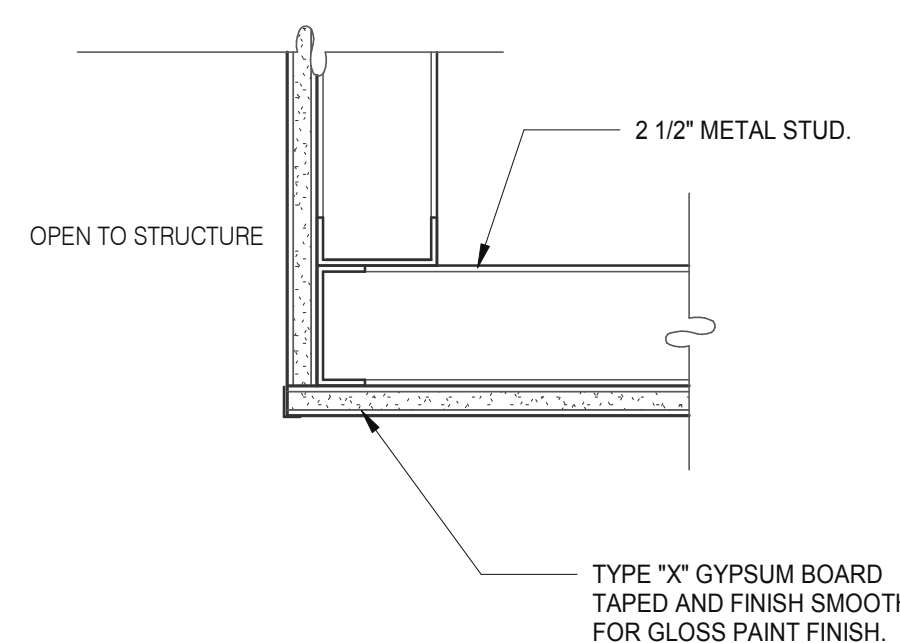
CEILING HEADER TRANSITION 3" = 1'-0" **14**



SUSPENDED CEILING GRID 12" = 1'-0" **10**



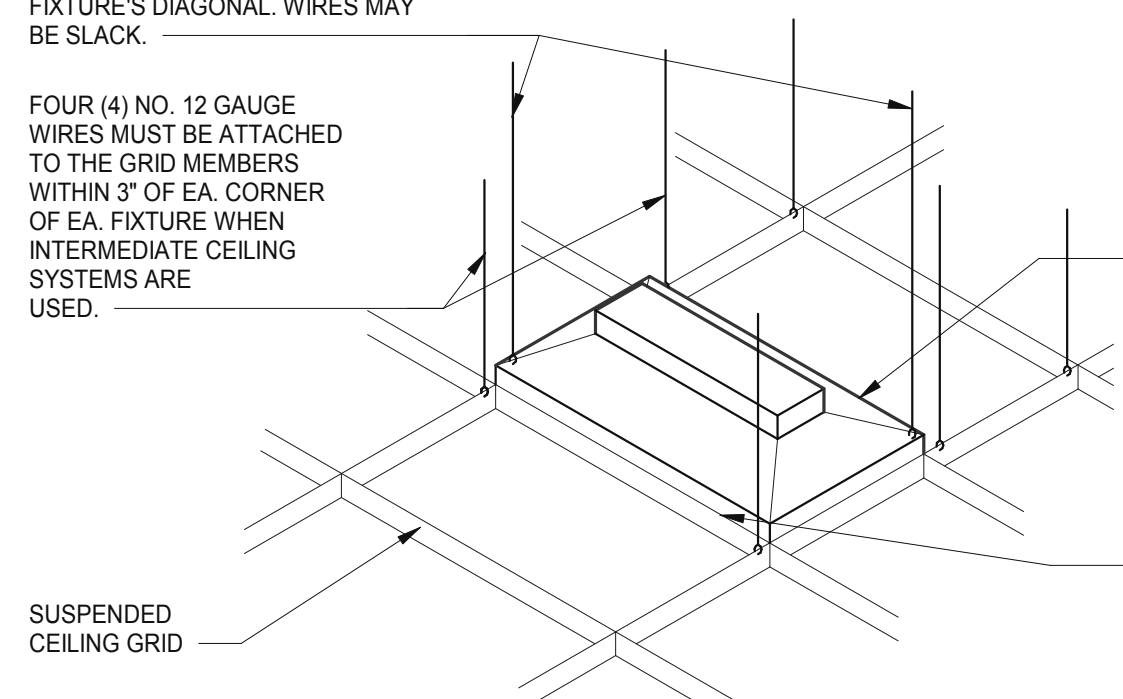
GYPSUM BOARD CEILING 3" = 1'-0" **6**



CEILING TRANSITION 3" = 1'-0" **11**

TWO (2) NO. 12 GAUGE WIRES MUST BE SECURED FROM LIGHT & MECHANICAL FIXTURES AT OPPOSING CORNERS ALONG THE FIXTURE'S DIAGONAL. WIRES MAY BE SLACK.

FOUR (4) NO. 12 GAUGE WIRES MUST BE ATTACHED TO THE GRID MEMBERS WITHIN 3" OF EA. CORNER OF EA. FIXTURE WHEN INTERMEDIATE CEILING SYSTEMS ARE USED.



LIGHT FIXTURE @ SUSP. CLNG. 12" = 1'-0" **8**

LATERAL FORCE BRACING MEMBERS MUST BE SPACED A MINIMUM OF 6" FROM ALL HORIZONTAL PIPING OR DUCT WORK THAT IS NOT PROVIDED WITH BRACING RESTRAINTS FOR HORIZ. FORCES. BRACING WIRES MUST BE ATTACHED TO THE GRID AND TO THE STRUCTURE IN SUCH A MANNER THAT THEY CAN SUPPORT A DESIGN LOAD OF NOT LESS THAN 200 POUNDS OR THE ACTUAL LOADS, WHICHEVER IS GREATER, WITH A SAFETY FACTOR OF 2.

LIGHT FIXTURE (LESS THAN 56 LBS.)

PROVIDE MINIMUM OF 2 SCREWS AT OPPOSIT CORNERS OF SUPPORT WIRES, OR SCREW ON T-BAR SAFETY CLIPS AT SIDES OR ENDS.

ALLOWABLE CEILING SPANS-L/240 12" = 1'-0" **3**

TACO BELL

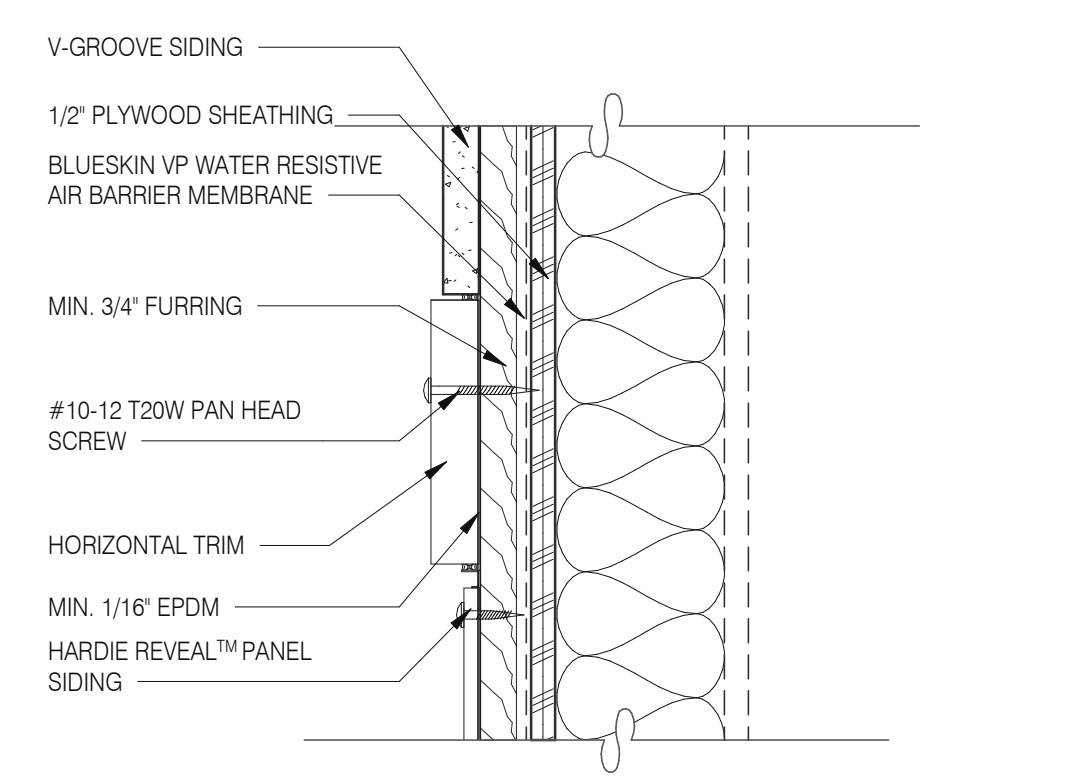
3039 Dixie Highway
Edgewood, KY 41017



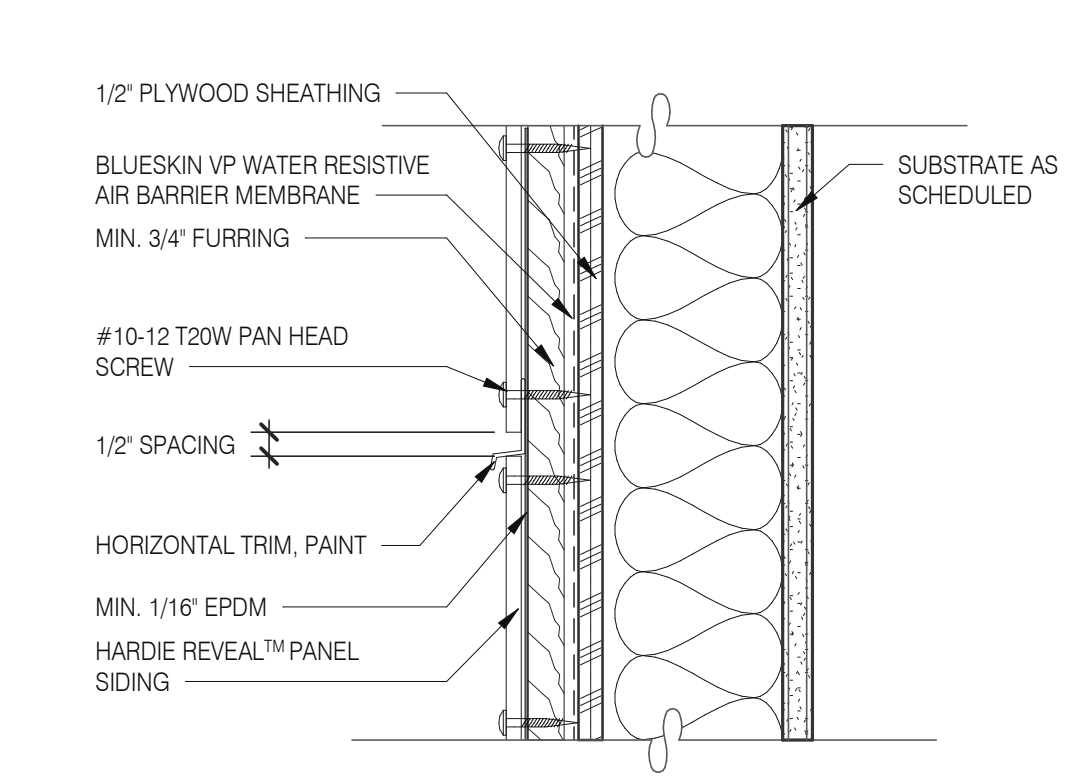
ENDEAVOR 2.0
CEILING
DETAILS

A6.5

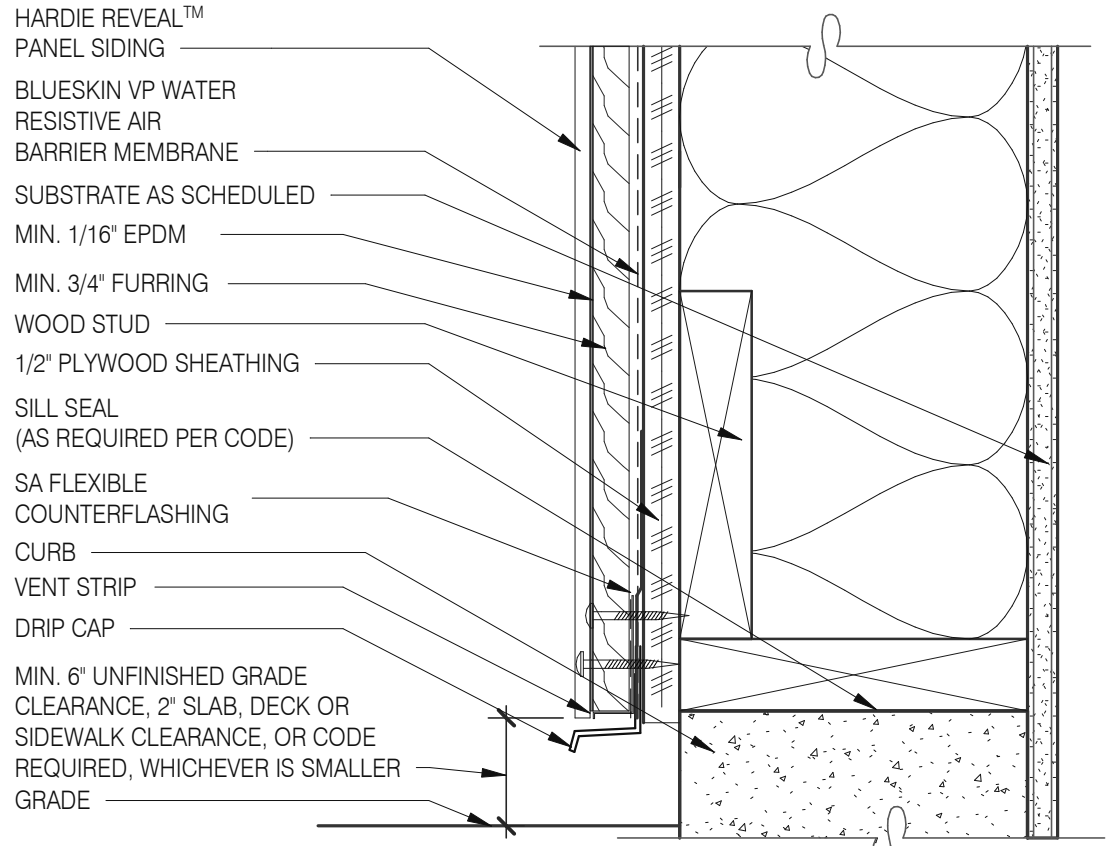
PLOT DATE: 5/5/2022 11:10:31 AM



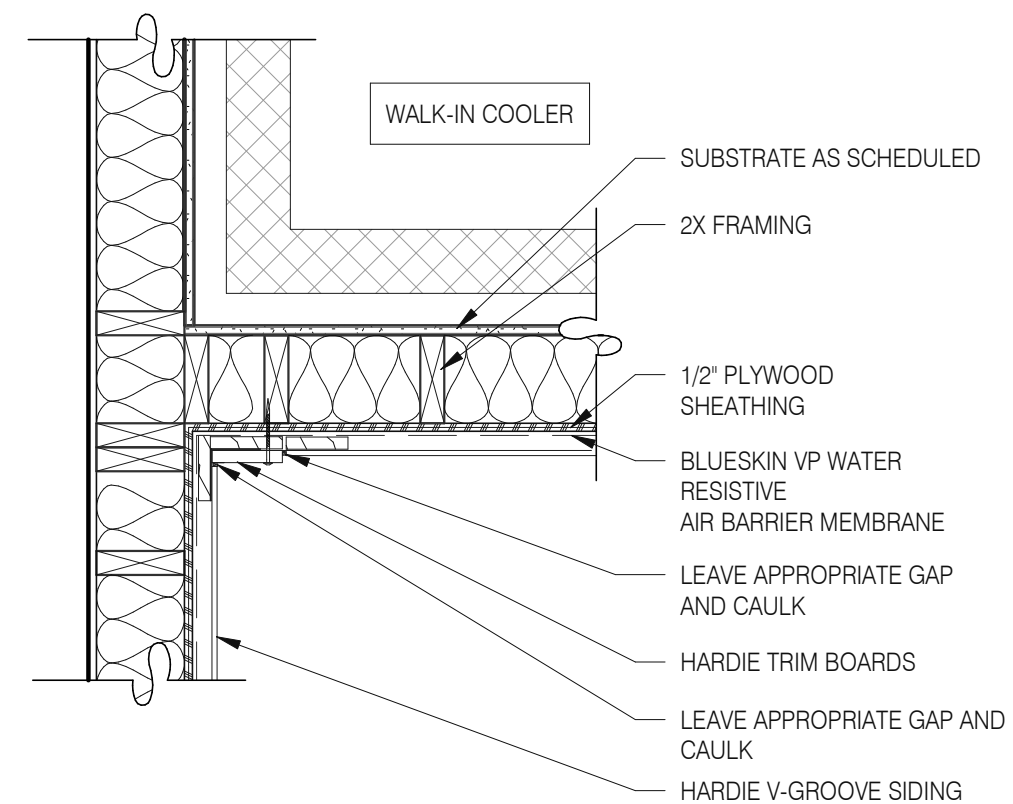
PANEL WITH HORIZONTAL TRIM 3" = 1'-0" **13**



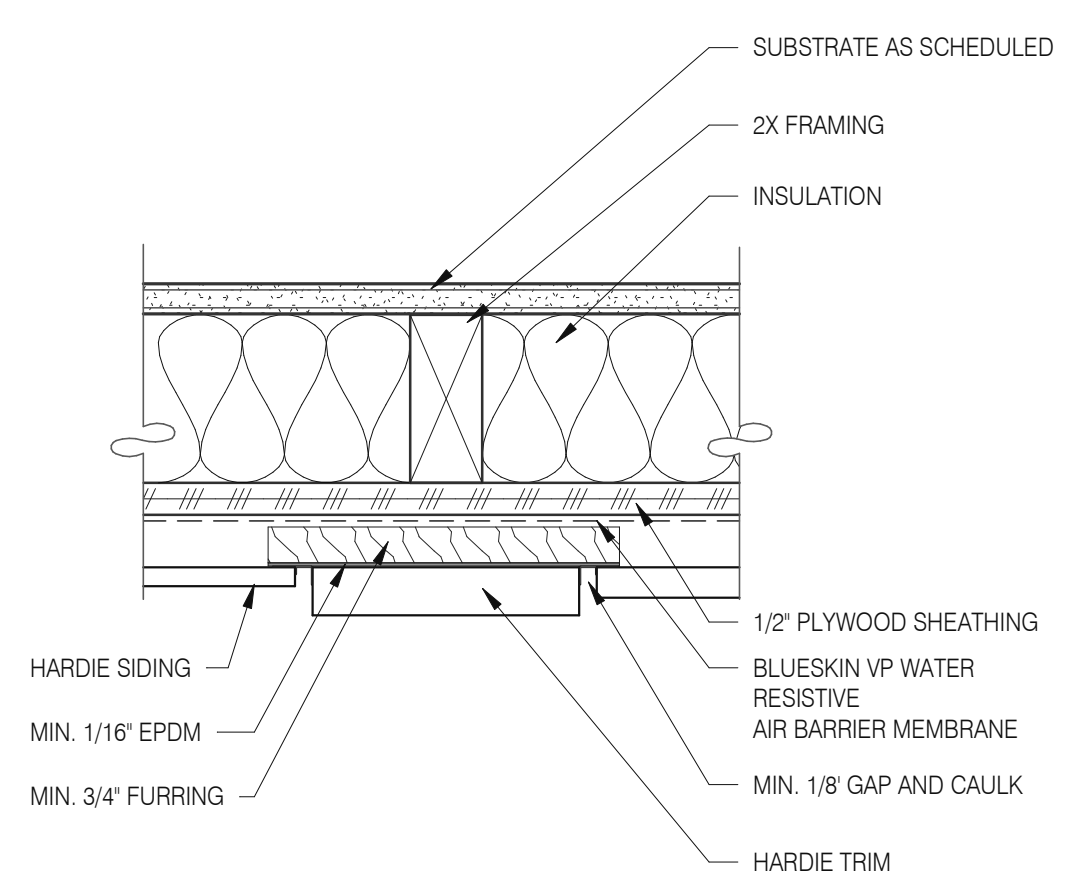
PANEL WITH HORIZONTAL TRIM 3" = 1'-0" **9**



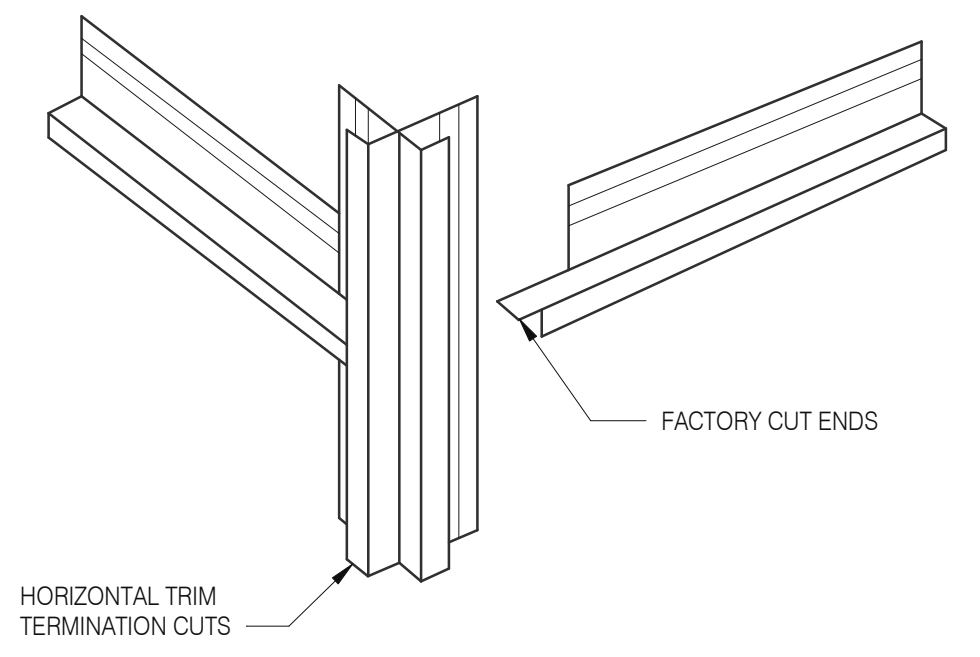
FOUNDATION @ GRADE 3" = 1'-0" **5**



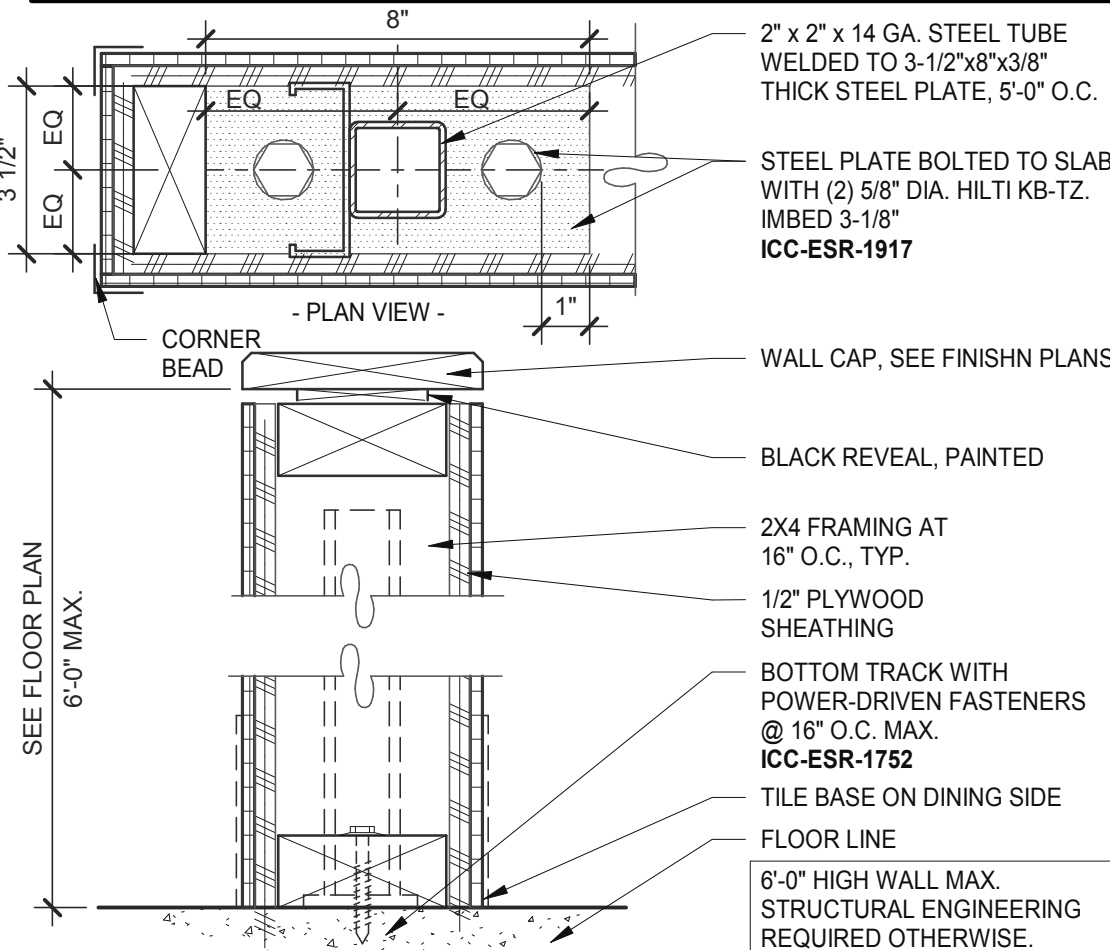
WALK-IN COOLER DETAIL 1" = 1'-0" **18**



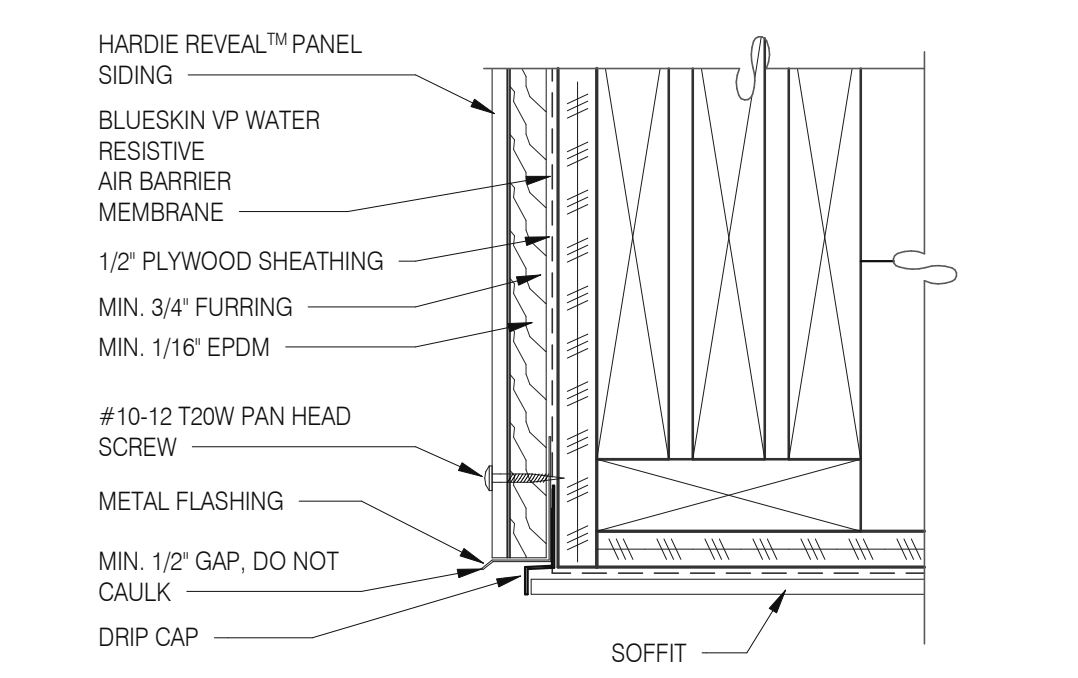
PANEL WITH VERTICAL TRIM 3" = 1'-0" **10**



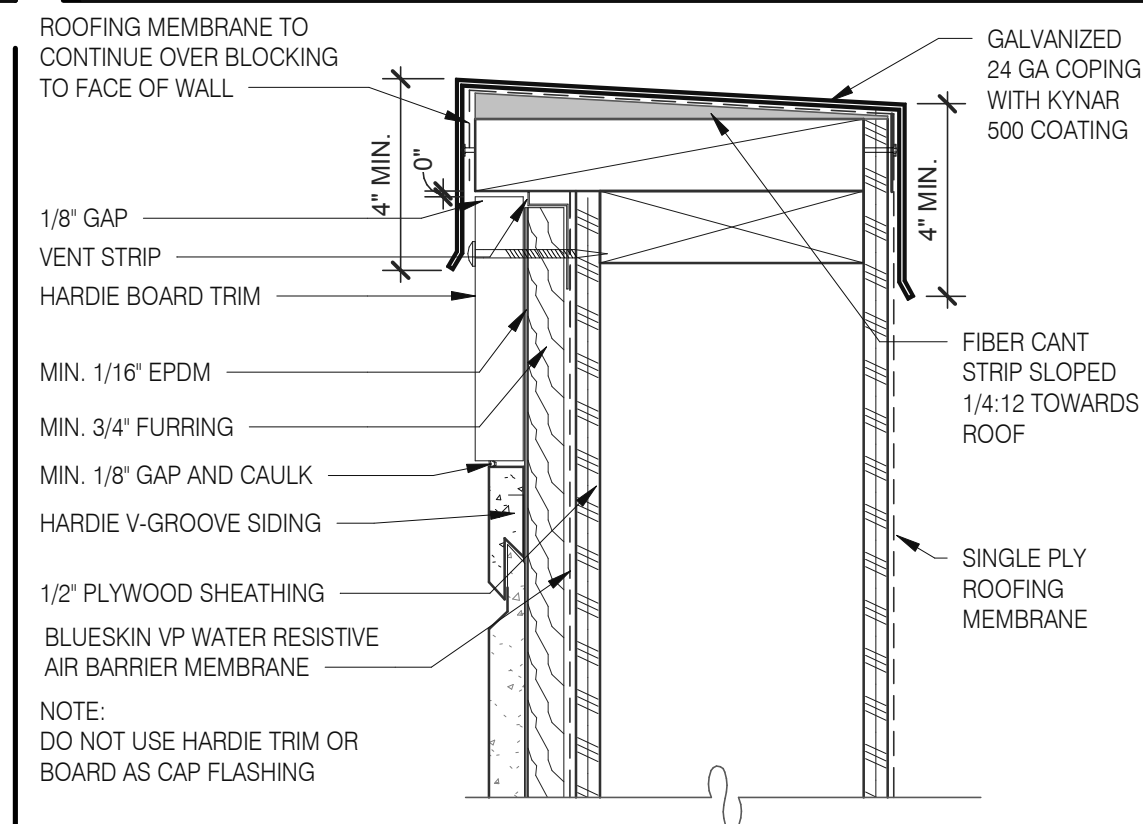
HOR. TRIM - TERMINATION N.T.S. **6**



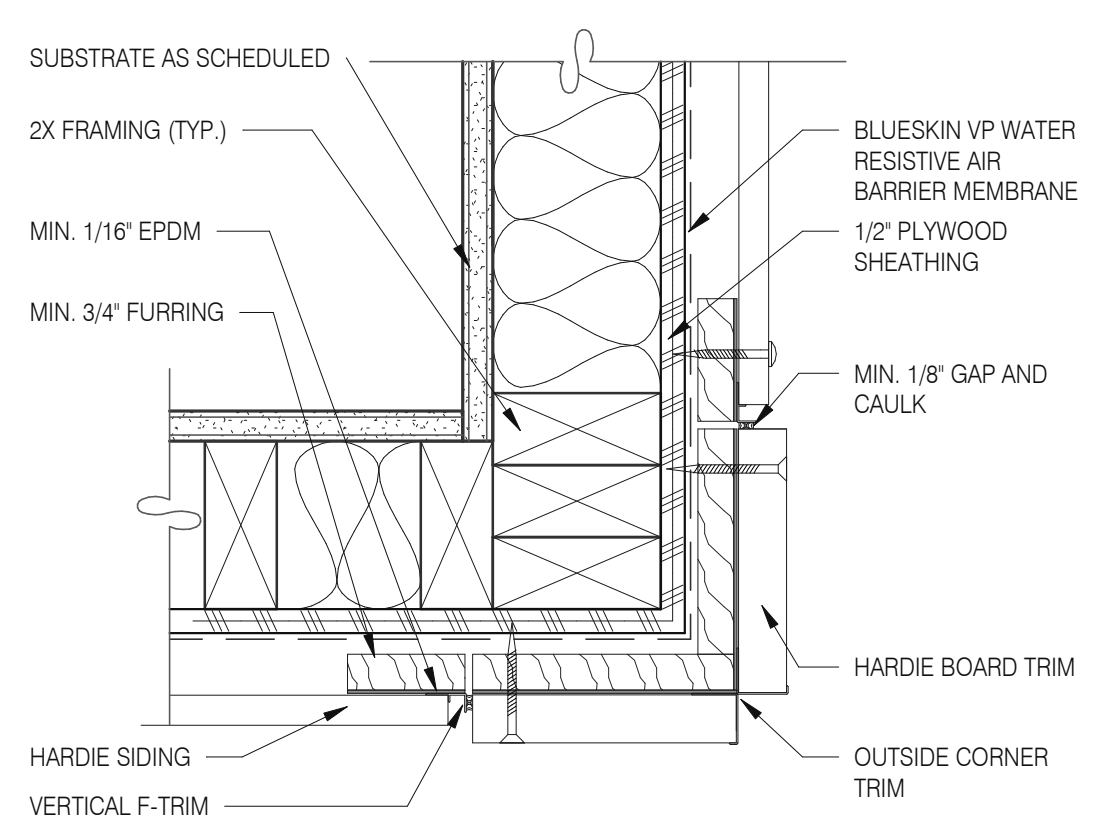
LOW WALL 3" = 1'-0" **15**



SOFFIT FLASHING INTERSECTION 3" = 1'-0" **11**



VENTED PARAPET WALL 3" = 1'-0" **12**



OUTSIDE CORNER TRIM 3" = 1'-0" **8**

DATE	REMARKS
05.06.22	Issued for Permit

CONTRACT DATE: 10.06.21
BUILDING TYPE: END. MED20
PLAN VERSION: MARCH 2021
BRAND DESIGNER: WANCHO
SITE NUMBER: 0
STORE NUMBER: 0
PA/PM: AB
DRAWN BY.: RS
JOB NO.: 2020188.06

TACO BELL
3039 Dixie Highway
Edgewood, KY 41017

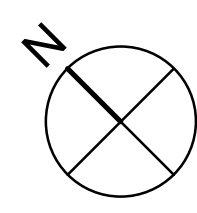
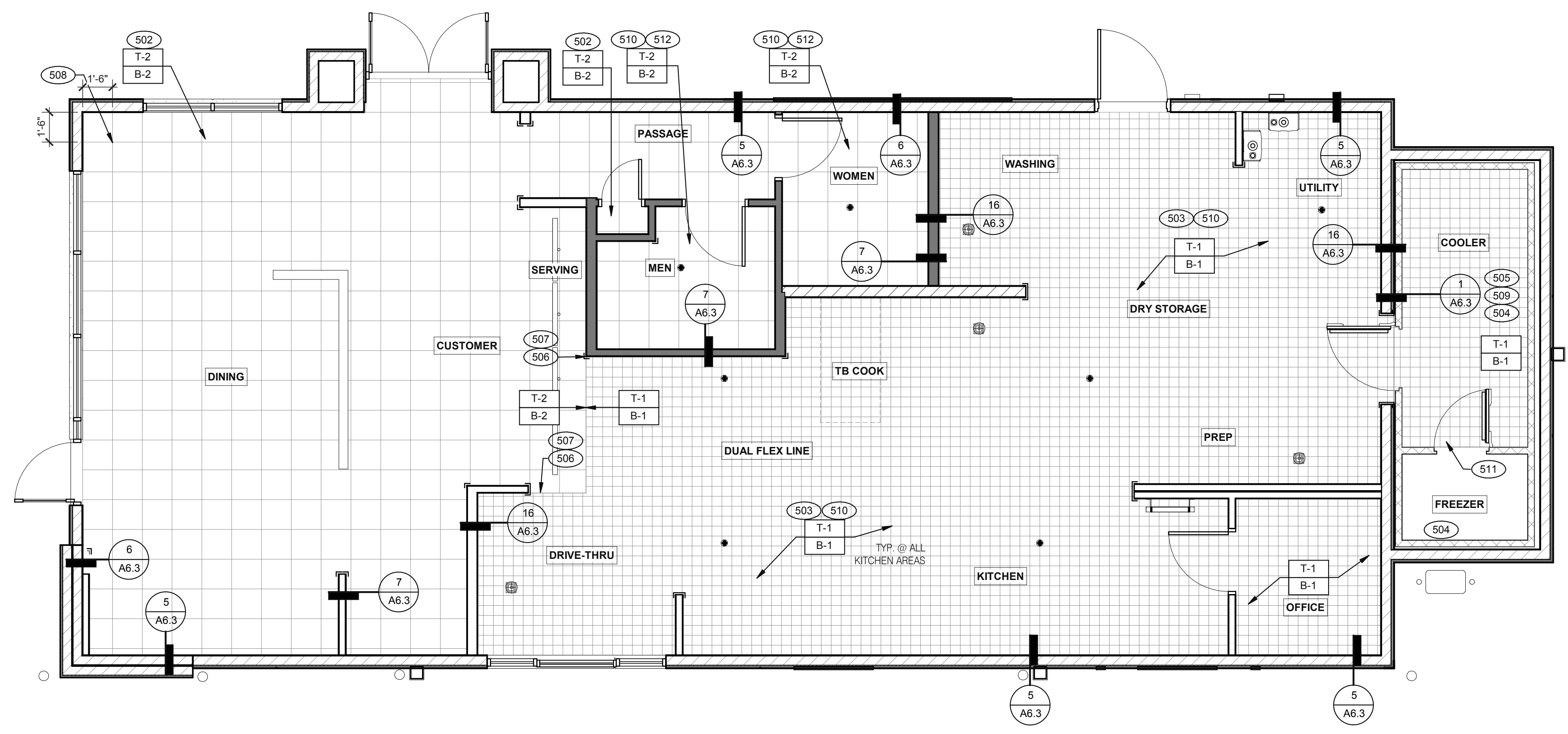


**ENDEAVOR 2.0
HARDIE BOARD
DETAILS**

A6.6



520 S. MAIN STREET, SUIT 2531
AKRON, OH 44311
330.572.2100 FAX: 330.572.2102



FLOOR FINISH PLAN 1/4" = 1'-0" **A**

DATE	REMARKS
05.06.22	Issued for Permit

CONTRACT DATE: 10.06.21
BUILDING TYPE: END. MED20
PLAN VERSION: MARCH 2021
BRAND DESIGNER: WANCHO
SITE NUMBER: 0
STORE NUMBER: 0
PA/PM: AB
DRAWN BY.: RS
JOB NO.: 2020188.06

TACO BELL

3039 Dixie Highway
Edgewood, KY 41017



**ENDEAVOR 2.0
FLOOR FINISH
PLAN**

A7.0

PLOT DATE: 5/5/2022 11:10:42 AM

- A. DENOTES FINISH MATERIAL. REFER TO SHT A7.2 FOR FINISHES
- B. TILE JOINT (I.O.N.):
1. QUARRY FLOOR TILE: 1/4"
2. PORCELAIN FLOOR TILE: 3/16"
3. GLAZED WALL TILE: 1/8"
4. BASE, TRIM AND ACCESSORIES: MATCH ADJOINING TILE UNITS
- C. TILE INSTALLATIONS REQUIRE MANUFACTURERS STANDARD MOLDED CORNERS AT BOTH INSIDE AND OUTSIDE CORNERS.
- D. ALL BASE TILE SHALL BE SANITARY COVE STYLE WITH 3/8" MIN RADIUS UNLESS NOTED OTHERWISE.
- E. SEE SCOPE OF WORK SHEETS FOR RESPONSIBILITIES.
- F. PROVIDE CLEAR SILICONE CAULK WHERE FRP STOPS AT TOP OF COVE BASE.
- G. TILE CHIPPING AROUND CORE DRILL HOLES FOR SEATING FIXTURE WILL NOT BE ACCEPTED.

- 502 6" COVE TILE BASE. SEE DETAILS 5 & 8/A6.3.
- 503 6" SANITARY COVE TILE BASE. SEE DETAILS 4, 6/A6.3.
- 504 PROVIDE FLOOR TILE INSIDE WALK-IN COOLER (NO TILE OR BASE IN FREEZER). FLOAT FLOOR TILE IN COOLERS TO DRAIN TO KITCHEN. COORDINATE WITH COOLER WALL CONFIGURATION.
- 505 NO BASE TILE BEHIND W-059 FOR WALK-IN COOLER/FREEZER.
- 506 ALIGN FLOOR TILE TRANSITION WITH FACE OF WALL.
- 507 FLOAT FLOOR TILE FOR FLUSH TRANSITION.
- 508 START POINT FOR FLOOR TILE.
- 509 METAL BASE IN COOLER; SEE SCOPE OF WORK. SEE DETAIL 1/A6.3.
- 510 REFER TO STRUCTURAL DRAWINGS FOR CONCRETE FLOOR SLOPES AROUND FLOOR DRAINS.
- 511 STEP-UP AT FREEZER THRESHOLD.
- 512 SANITARY TILE BASE IN RESTROOM.

NOT USED **D**

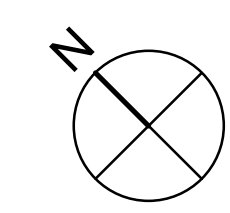
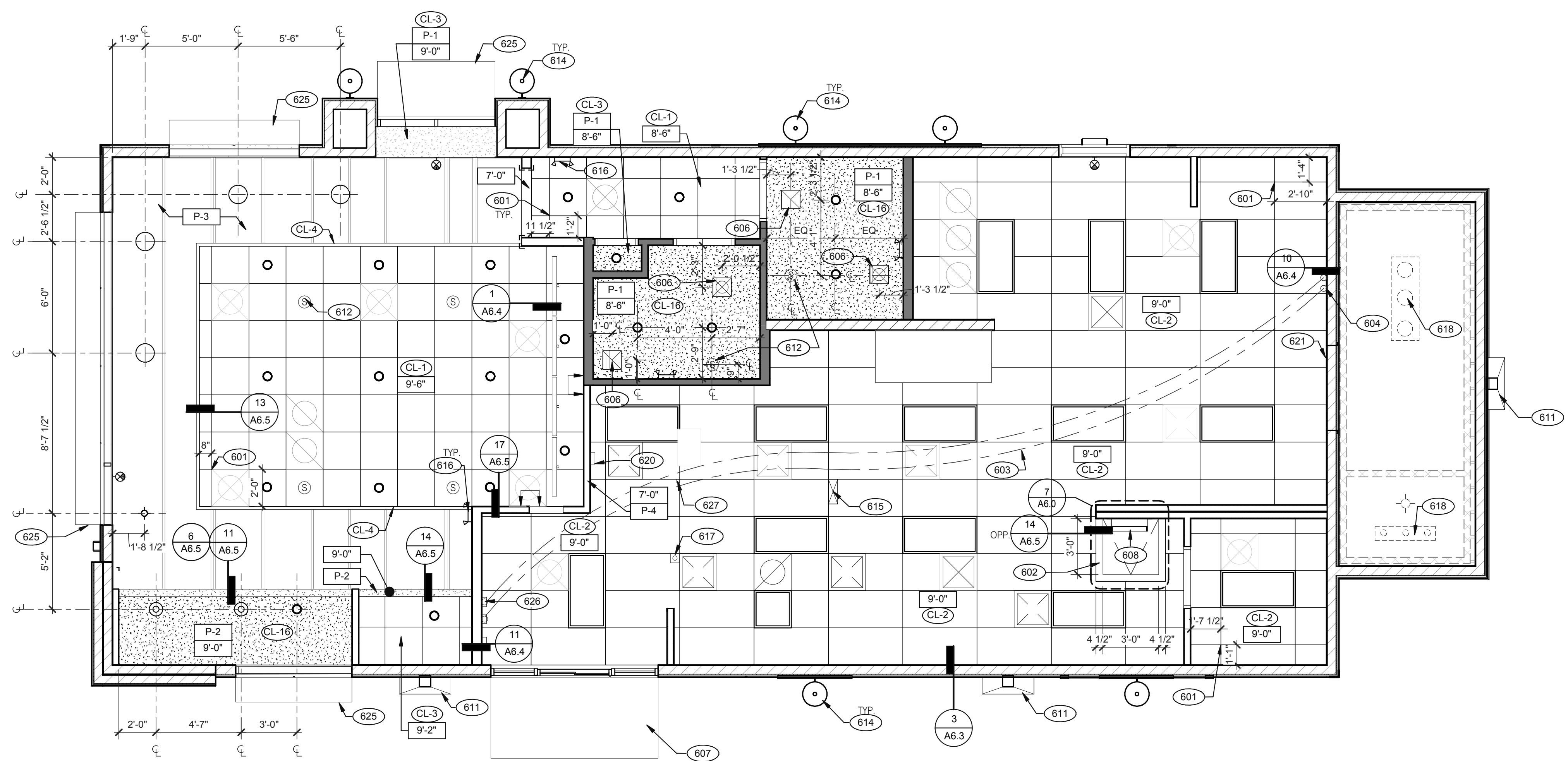
FLOOR FINISH NOTES **C**

KEY NOTES **B**

C:\Users\mauler\Documents\ARCH_L\BMO2_Emanager_KY\Akroned_M\Bachel\GPD\Drawings



520 S. MAIN STREET, SUIT 2531
AKRON, OH 44311
330.572.2100 FAX: 330.572.2102



REFLECTED CEILING PLAN 1/4" = 1'-0" **A**

DATE	REMARKS
05.06.22	Issued for Permit

CONTRACT DATE: 10.06.21
BUILDING TYPE: END. MED20
PLAN VERSION: MARCH 2021
BRAND DESIGNER: WANCHO
SITE NUMBER: 0
STORE NUMBER: 0
PA/PM: AB
DRAWN BY.: MS
JOB NO.: 2020188.06

TACO BELL

3039 Dixie Highway
Edgewood, KY 41017



**ENDEAVOR 2.0
REFLECTED
CEILING PLAN**

A7.1

PLOT DATE: 5/5/2022 11:10:53 AM

CEILING SYMBOL LEGEND	
	1'-0" x 4'-0" LED TROFFER
	2'-0" x 4'-0" LED TROFFER
	2'-0" x 4'-0" LED LIGHT FIXTURE
	DOWNLIGHT @ WALK-IN (BY WALK-IN MFR.)
	PENDANT FIXTURE.
	DOWNLIGHT - CENTER ON CEILING TILE
	EMERGENCY LIGHT
	EXIT LIGHT (WALL MOUNTED)
	EXIT LIGHT (CEILING MOUNTED)
	EXTERIOR WALL FIXTURE
	SPEAKER - CENTER ON CEILING TILE
	12" EXHAUST FAN
	HVAC RETURN GRILLE
	HVAC SUPPLY DIFFUSER
	BACK DOOR SECURITY STROBE LIGHT
	OCCUPANCY SENSOR, CEILING MOUNTED

CEILING SYMBOL LEGEND **D**

DIMENSIONS:
A. ALL DIMENSIONS ARE TO FACE OF FINISH U.O.N.

CEILING FINISHES:
A. REFER TO ROOM FINISH SCHEDULE (SHT A7.2) FOR CLG. FINISHES.

SUSPENDED CEILING:
A. ACOUSTICAL PANEL INSTALLATION: INSTALL ACOUSTICAL PANELS WITH EDGES IN CLOSE CONTACT WITH METAL SUPPORTS AND IN TRUE ALIGNMENT.
B. ALLOWABLE VARIATIONS FROM FLAT AND LEVEL SURFACE: 1/8" IN 10'-0" MAX.
C. ALLOWABLE VARIATIONS FROM PLUMB OF GRID MEMBERS: AS CAUSED BY ECCENTRIC LOADS, 2" MAX.
D. INSTALL SYSTEM AFTER MAJOR ABOVE CLG. WORK IS COMPLETE. COORD LOCATIONS OF HANGERS WITH RELATED WORK.
E. SEE SPECS FOR ADDITIONAL INFORMATION.

GYPSUM BOARD CEILING:
A. SUBSTRATE SHALL BE 1/2" THICK GYP. BD.
B. ACOUSTICAL SEALANT: APPLY TO GYP. BD. PANELS AS INDICATED IN SPECS.
GYP. BD. FINISHING AND DECORATING: REFER TO DWGS FOR TEXTURE AND FINISHES.

ELECTRICAL:
A. SEE ELECT. DWGS. FOR FIXTURE SCHED.

REFLECTED CEILING PLAN NOTES **C**

- 601 CEILING GRID AT STARTING POINT.
- 602 BULKHEAD @ 8'-0" A.F.F.
- 603 NON-INSULATED BUNDLED SYRUP LINES FOR DRINK SYSTEM. SEE SCOPE OF WORK.
- 604 6" DIAMETER PVC STUB THROUGH CEILING, SEE DETAIL 10/A6.4.
- 606 FOR ROUGH FRAMING OPENINGS SEE AIR DEVICE SCHEDULE (TYP. ALL RESTROOMS).
- 607 DRIVE-THRU CANOPY.
- 608 ROOF HATCH.
- 611 VERTICAL DOWNSPOUT.
- 612 SPEAKER. CENTER ON CEILING TILE, UON.
- 614 EXTERIOR WALL LIGHT FIXTURES, SEE ELEVATIONS AND ELECTRICAL DRAWINGS.
- 615 UTILITY CHASE BY 3RD PARTY VENDOR TO CEILING.
- 616 EMERGENCY DUAL HEAD FIXTURE. SEE ELECTRICAL DRAWINGS.
- 617 SECURITY STROBE LIGHT, REFER TO ELECTRICAL DRAWINGS.
- 618 FAN COIL FOR WALK-IN.
- 620 ALERT LIGHT BOX FOR 3-COMP POWER SOAK MOUNTED AT CENTERLINE OF BOX 7'-11" A.F.F.
- 621 30"x30" ACCESS OPENING IN REAR WALL ABOVE CEILING. FINISH WITH GYP. BD.
- 625 AWNING, SEE SCOPE OF WORK.
- 626 STAINLESS STEEL SYRUP CHASE ON WALL. SEE DETAIL 11/A6.4.
- 627 WATER INLET CHASE FOR CHEESE MELTER SCREWED TO HEATED AIR SCREEN.

KEY NOTES **B**



FINISH LEGEND						
SYMBOL	MANUFACTURER	STYLE	COLOR	SIZE	GROUT	COMMENTS
CEILING						
CL-1	USG	ACT SYSTEM, USG RADAR, CLIMAPLUS PERFORMANCE, SQ EDGE	#107 TAUPE	2X2	N/A	USG DONN BRAND DX/DXL 15/16 TEE SYSTEM, INTERMEDIATE DUTY #107 TAUPE
CL-2	USG	ACT SYSTEM, USG CLEAN ROOM ACOUSTICAL PANELS, CLIMAPLUS PERFORMANCE, SQ EDGE	#050 WHITE	2x4	N/A	CLASS 100 (ISO 5) PANELS, USG DONN BRAND DX/DXL 15/16 TEE SYSTEM, INTERMEDIATE DUTY #050 WHITE
CL-3	USG	ACT SYSTEM, USG CLEAN ROOM ACOUSTICAL PANELS, CLIMAPLUS PERFORMANCE, SQ EDGE	#050 WHITE	2X2	N/A	CLASS 100 (ISO 5) PANELS, USG DONN BRAND DX/DXL 15/16 TEE SYSTEM, INTERMEDIATE DUTY #050 WHITE
CL-4	USG	USG COMPASSO STANDARD	#002 SILVER SATIN	10"H PROFILE		SEE PLANS AND DETAILS FOR MORE INFO
CL-16	N/A	GYPSUM BOARD	PAINTED PER RCP			
CHAIR RAIL						
CR-1	SW	SW7043	WORLDLY GRAY	3 1/2" X 3/4"		SEMI-GLOSS
FLOOR BASE						
B-1	CMC	QUARRY	PURITAN GREY #507	6X6	MAPEI #9 GRAY, 1/8" JOINT WIDTH	KERAPOXY GROUT IEG CO
B-2	CMC	MOTIF GREY	GREY	6X12	MAPEI #2 PEWTER, 1/8" JOINT WIDTH	
FLOORING						
T-1	CMC	QUARRY	PURITAN GREY #507	6X6	MAPEI #9 GRAY, 1/8" JOINT WIDTH	KERAPOXY GROUT IEG CO
T-2	CMC	MOTIF GREY	GREY	18X18	MAPEI #2 PEWTER, 1/8" JOINT WIDTH	
FRP/LAMINATE						
FRP-1	MARLITE	SMOOTH SURFACE	S100 S/2/S WHITE	4' X 9' X .90		COORDINATE ALL TRIM PIECES WITH FRP MFG
L-1	WILSONART	4783K FINISH 7	WHITE TIGRIS			OFFICE SHELVING LAMINATE
L-2	WILSONART	Y0664K-12	MOCHA ASH			SOFTGRAIN FINISH, RR/UTILITY DOORS VERTICAL GRADE PRODUCT CODE #362 IS .028" AND HORIZONTAL GRADE PRODUCT CODE #372 IS .039"
CORNER GUARDS						
CG-1	C.S GROUP	ACROVYN VA SERIES	VA-034N #934 PEARL	3/4" X 3/4"		FOR PAINT MATCH P-1
CG-2	C.S GROUP	ACROVYN VA SERIES	VA-034N #262 DRIFTWOOD	3/4" X 3/4"		FOR PAINT MATCH CR-1 & WC-1
METAL TRANSITION						
MT-1	SCHLUTER	JOLLY	A 100 AT - SATIN NICKEL ANODIZED ALUMINUM	3/8"	N/A	TILE EDGE TRIM DETAIL 17/A6.3
MT-3	SCHLUTER	RONDEC - ALUMINUM		3/8"	N/A	TILE EDGE TRIM DETAIL 17/A6.3
SOLID SURFACE						
SS-1	CORIAN	LAVA ROCK	LAVA ROCK			COUNTERTOPS/24" DIAMETER TABLE TOP
WALL COVERING						
WC-1	WOLF GORDON	RAMPART HIGH IMPACT WALL COVERING	FOUNDATION/ PIGMENT (GOH 12172606)		RAILROAD INSTALLATION: THERE SHOULD BE NO SEAMS ALONG WALLS	1 ROLL: 80 L.F.
WALL PAINT						
P-1	SHERWIN WILLIAMS	SW7021	SIMPLE WHITE	N/A	N/A	PAINT FINISH: WALLS: EGGSHELL TRIM/BOH: SEMI-GLOSS (CHAIR RAIL) CEILING: FLAT
P-2	SHERWIN WILLIAMS	TB2603C	PURPLE	N/A	N/A	
P-3	SHERWIN WILLIAMS	SW7076	CYBER SPACE	N/A	N/A	
P-4	SHERWIN WILLIAMS	SW7005	PURE WHITE	N/A	N/A	
WALL TILE						
W-1	CMC	FORM	ICE DECO MIX	8X8	MAPEI #47 CHARCOAL, 1/8" JOINT WIDTH	RESTROOM ACCENT WALL TILE
W-2	CMC	FORM	ICE	8X8	MAPEI #47 CHARCOAL, 1/8" JOINT WIDTH	RESTROOM WALL TILE
W-3	CMC	SALVAGEWOOD	WHITEWASH	3X36	MAPEI #01 ALABASTER, 1/8" JOINT WIDTH	RUNNING BOND INSTALLATION OFFSET 25%

NOT USED **A**

FINISH LEGEND **D**

WESTERN STATES METAL ROOFING
 JESSICA TRIER
 INSIDE SALES REPRESENTATIVE
 P: (602) 495-0048
 D: (602) 422-2696
 W: www.metaloofing.com
 JESSICA@METALDECK.COM

CREATIVE MATERIALS CORP.
 ALLISON PICHE
 CLIENT SERVICES SUPERVISOR
 ONE WASHINGTON SQUARE, ALBANY, NY 12205
 P: (518) 452-9694
 D: (518) 713-5395
 APICHE@CREATIVEMATERIALSCORP.COM

USG CORPORATION
 TRAVIS TOMANEK
 CORPORATE ACCOUNT MANAGER
 (440) 541-3972
 TTOMANEK@USG.COM

MAPEI
 LISA FYKE
 ARCHITECTURAL REPRESENTATIVE
 MAPEI CORP.
 (909) 247-5324
 LFYKE@MAPEI.COM

MARLITE
 DAN EGBERS
 REGION SALES MANAGER -
 SPECIFICATIONS MARLITE, INC.
 P: (800) 377-1221
 M: (330) 260-7633
 1 MARLITE DRIVE, DOVER, OH 44622
 www.marlite.com
 degbers@marlite.com

SHERWIN WILLIAMS
 SUNNY PATEL
 NATIONAL ACCOUNT EXECUTIVE
 2100 W. ORANGEWOOD AVE. SUITE 100
 ORANGE, CA 92668
 (619) 990-1920
 SUNDEE@SHERWIN.COM

WOLF GORDON
 JESSICA ROSE
 (213) 999-1141
 JESSICA.ROSE@WOLFGORDON.COM

JAMES HARDIE
 MATT PETERSEN
 CELL: (707) 536-8271
 MATTHEW.PETERSEN@JAMESHARDIE.COM

A72_FINISH CONTACTS N.T.S. **C**

NOT USED **B**

DATE	REMARKS
05.06.22	Issued for Permit

CONTRACT DATE: 10.06.21
 BUILDING TYPE: END. MED20
 PLAN VERSION: MARCH 2021
 BRAND DESIGNER: WANCHO
 SITE NUMBER: 0
 STORE NUMBER: 0
 PA/PM: AB
 DRAWN BY.: RS
 JOB NO.: 2020188.06

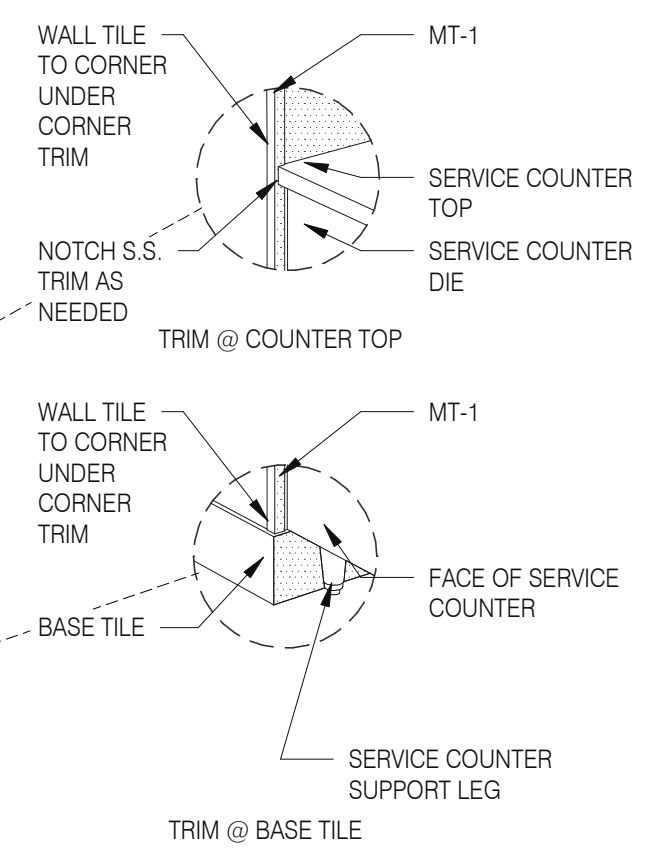
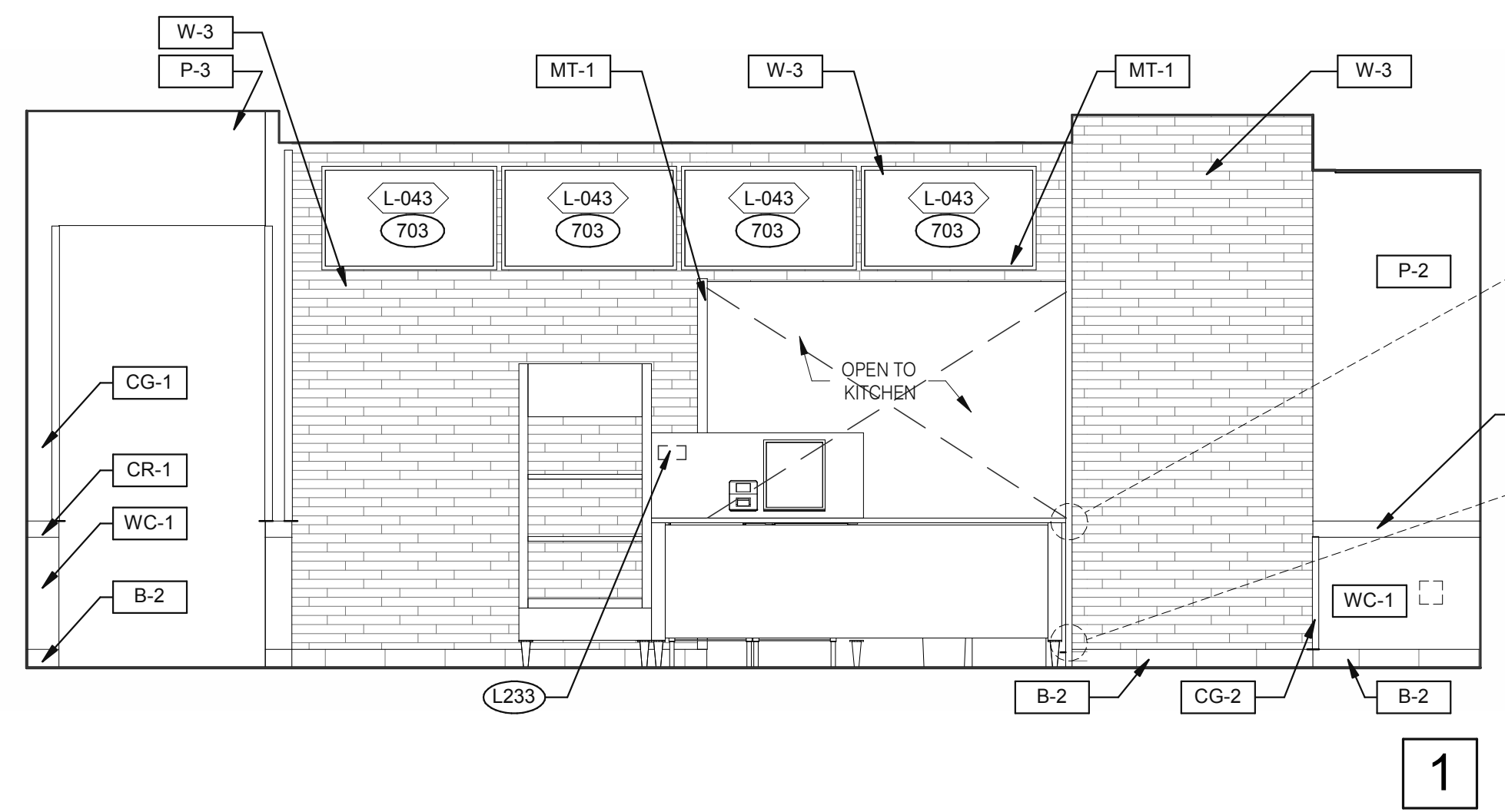
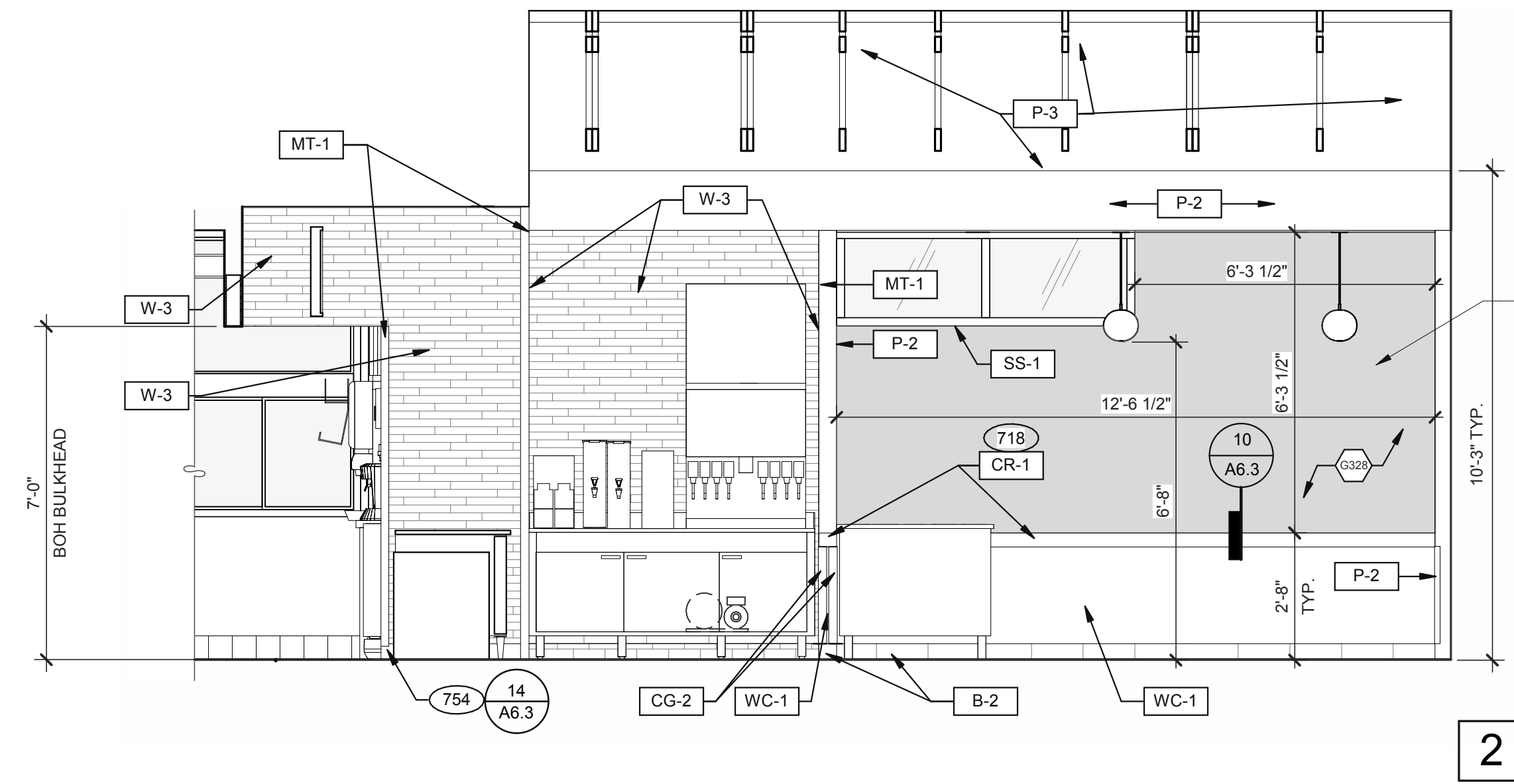
TACO BELL
 3039 Dixie Highway
 Edgewood, KY 41017



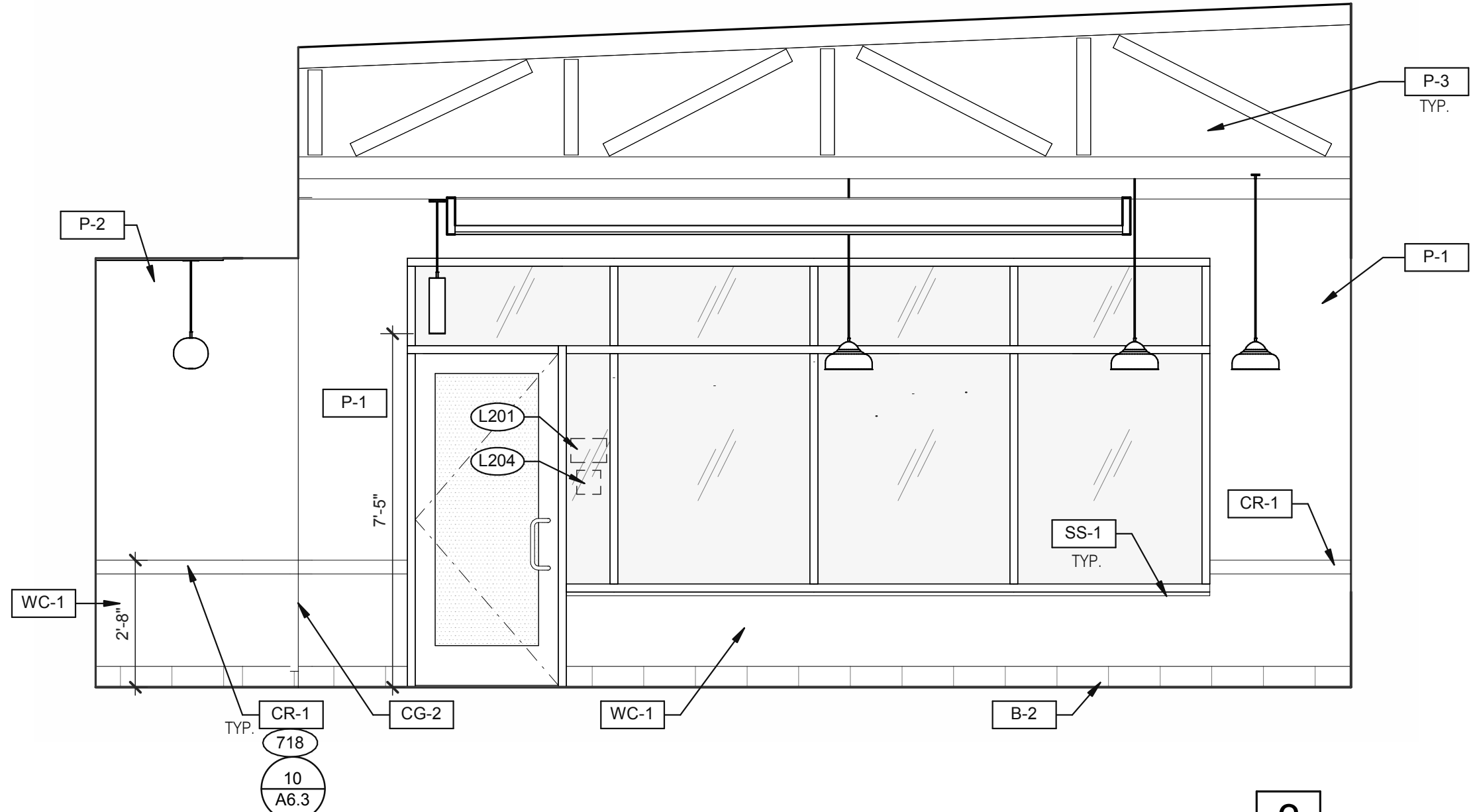
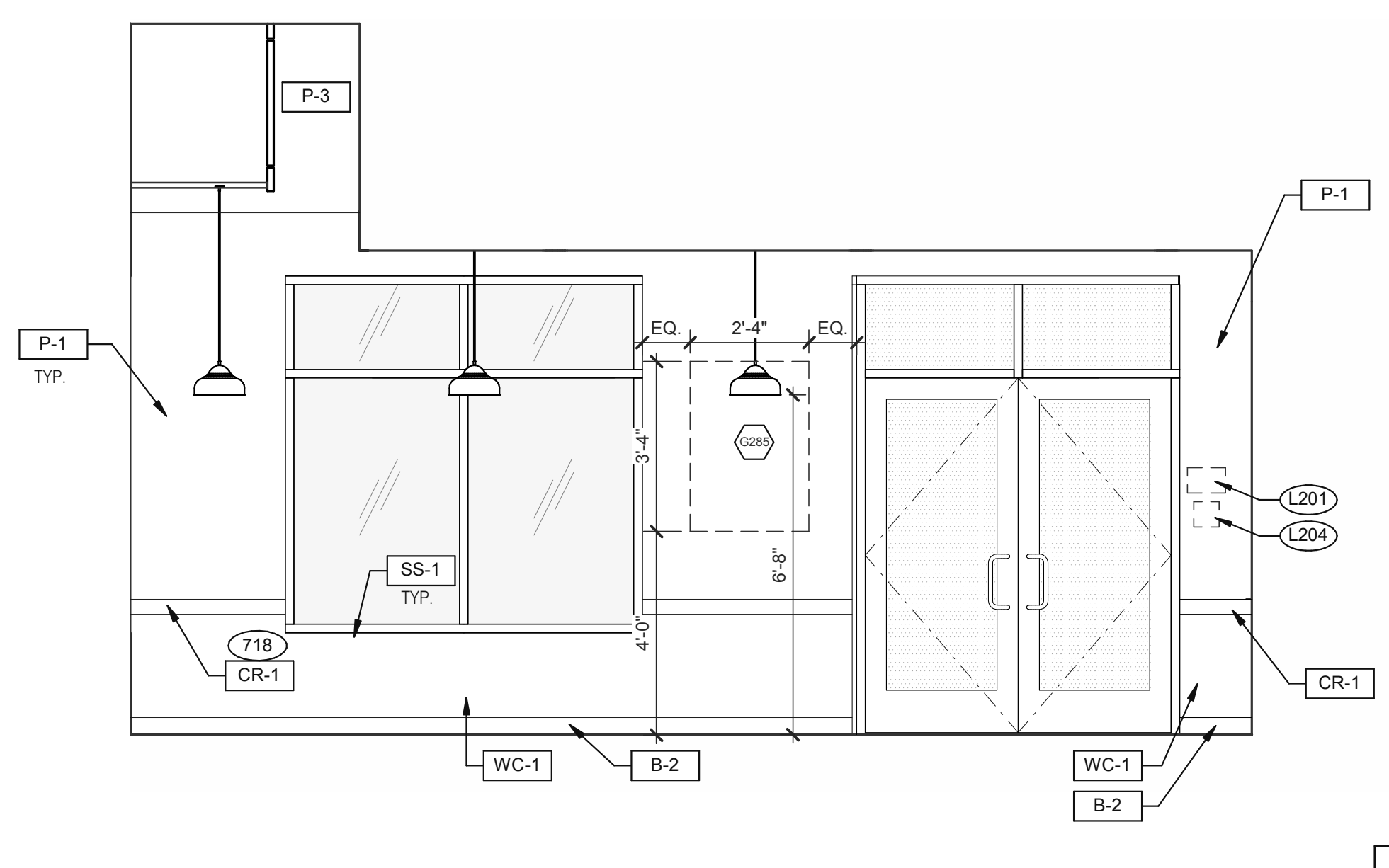
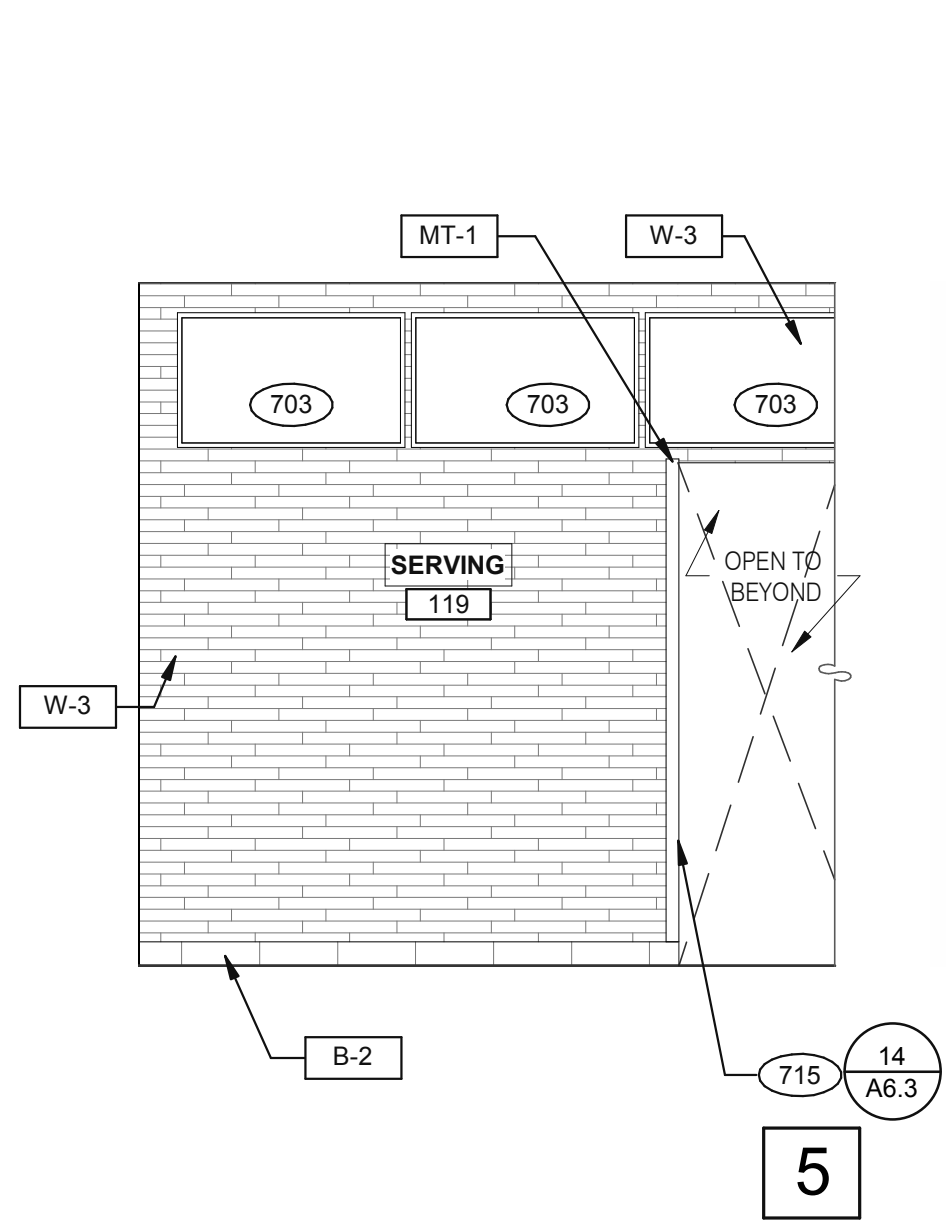
**ENDEAVOR 2.0
 FINISH
 SCHEDULE**

A7.2

PLOT DATE: 5/5/2022 11:10:58 AM



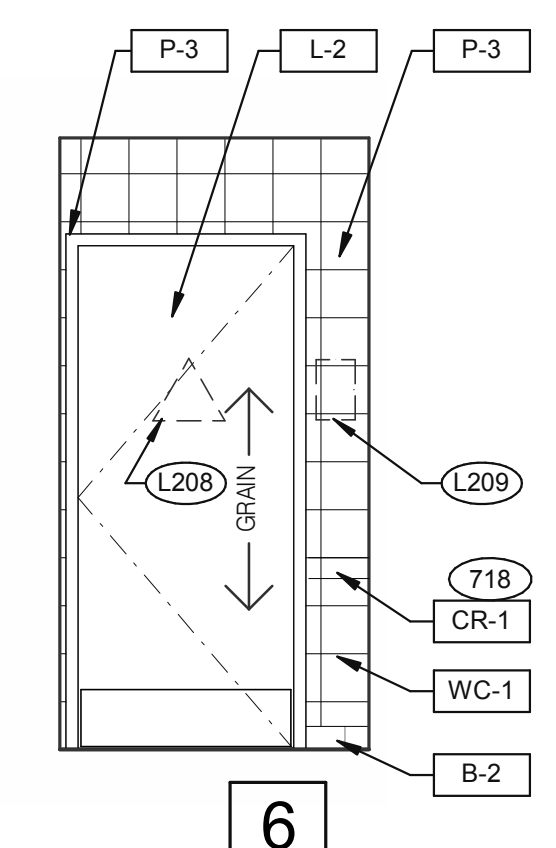
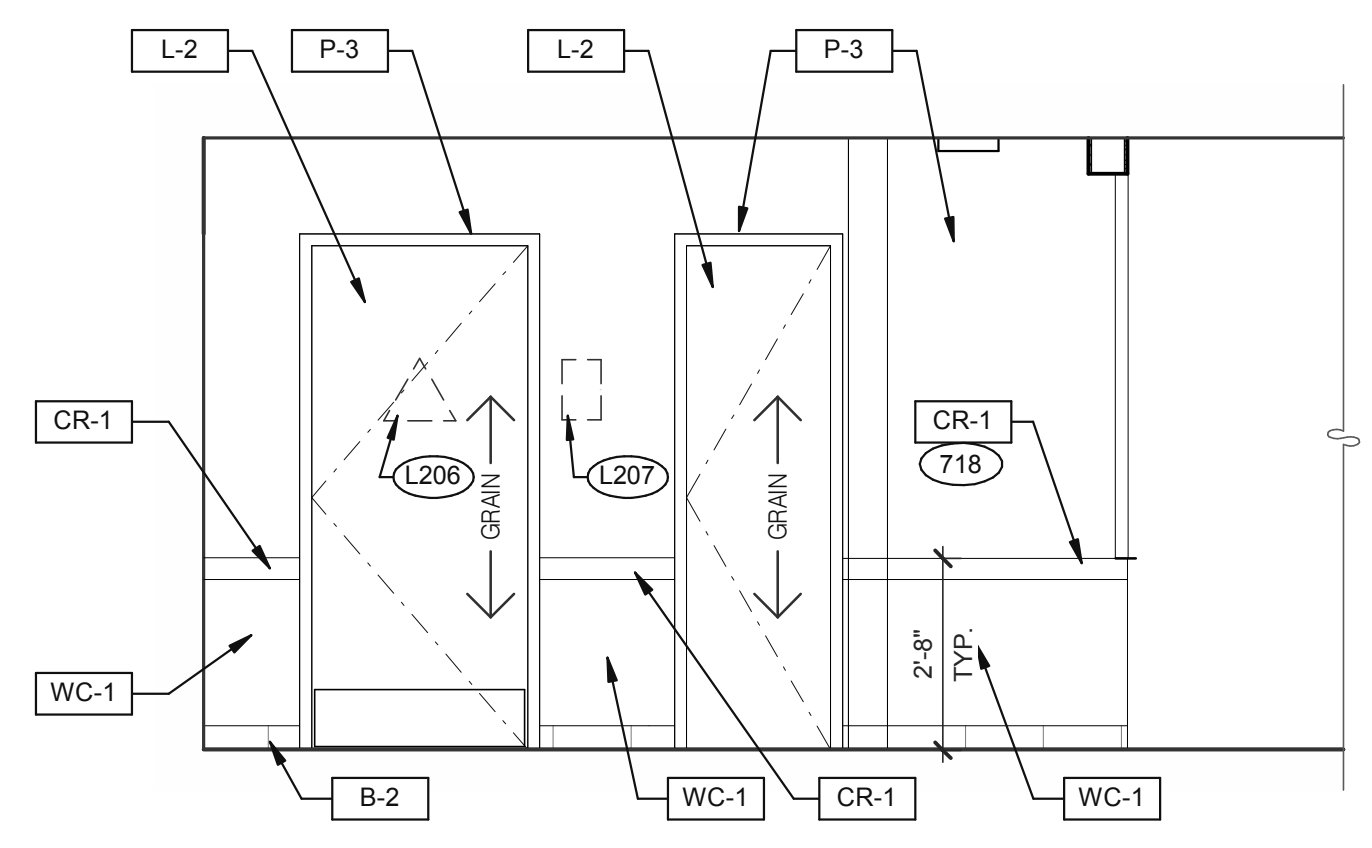
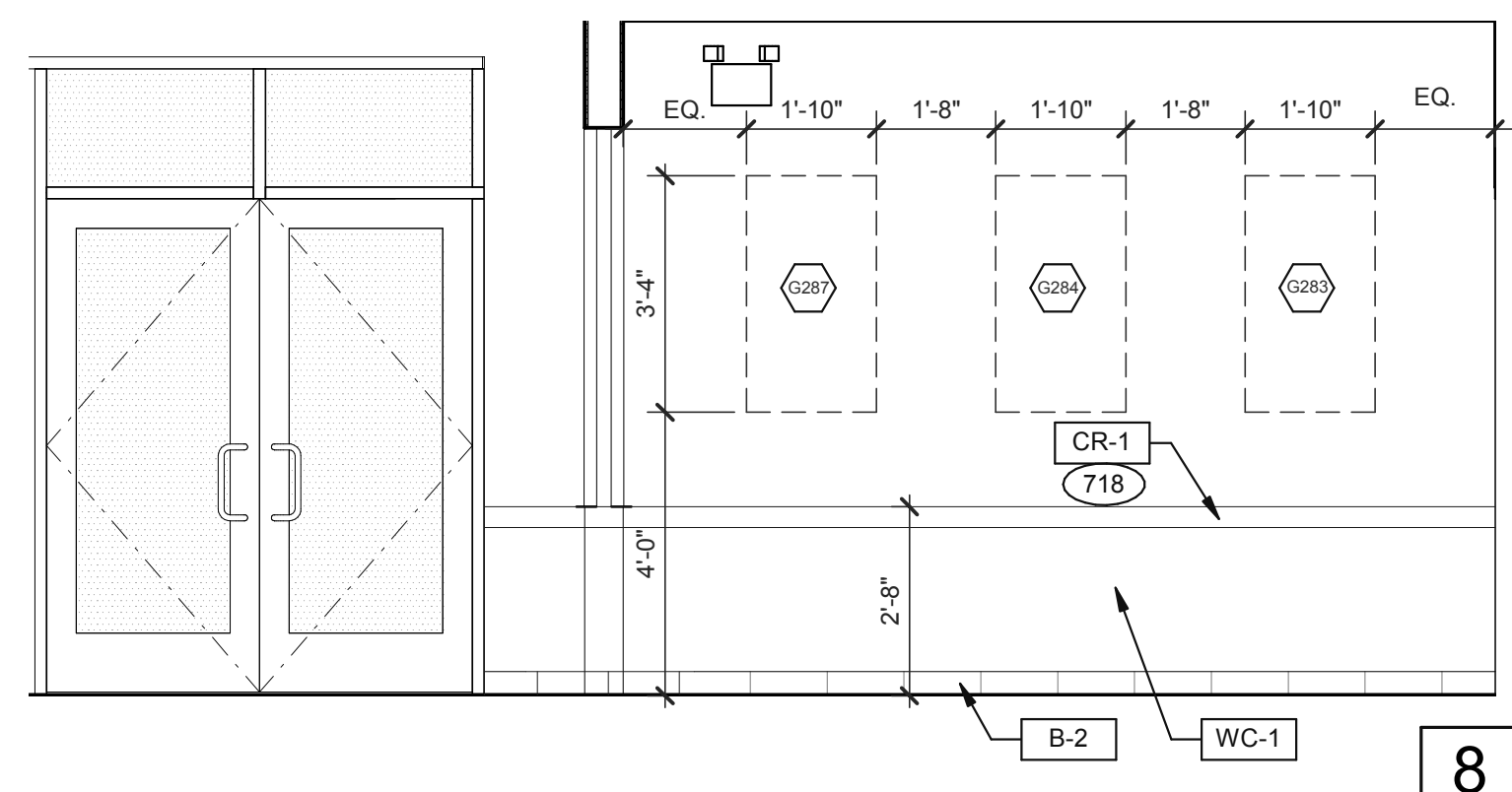
DINING 3/8" = 1'-0"



4

3

DINING 3/8" = 1'-0"



8

7

6

PASSAGE 3/8" = 1'-0"

KEYNOTES

A

- 703 LTO MENUBOARD.
- 715 SS CORNER/END WALL CHANNEL GUARD, FULL HEIGHT. SEE DETAIL 14/A6.3 AND
- 718 CHAIR RAIL.
- 754 SS CORNER/END WALL CHANNEL GUARD, FULL HEIGHT.

DATE	REMARKS
05.06.22	Issued for Permit

CONTRACT DATE: 10.06.21
 BUILDING TYPE: END, MED20
 PLAN VERSION: MARCH 2021
 BRAND DESIGNER: WANCHO
 SITE NUMBER: 0
 STORE NUMBER: 0
 PA/PM: AB
 DRAWN BY.: RS
 JOB NO.: 2020188.06

TACO BELL
 3039 Dixie Highway
 Edgewood, KY 41017



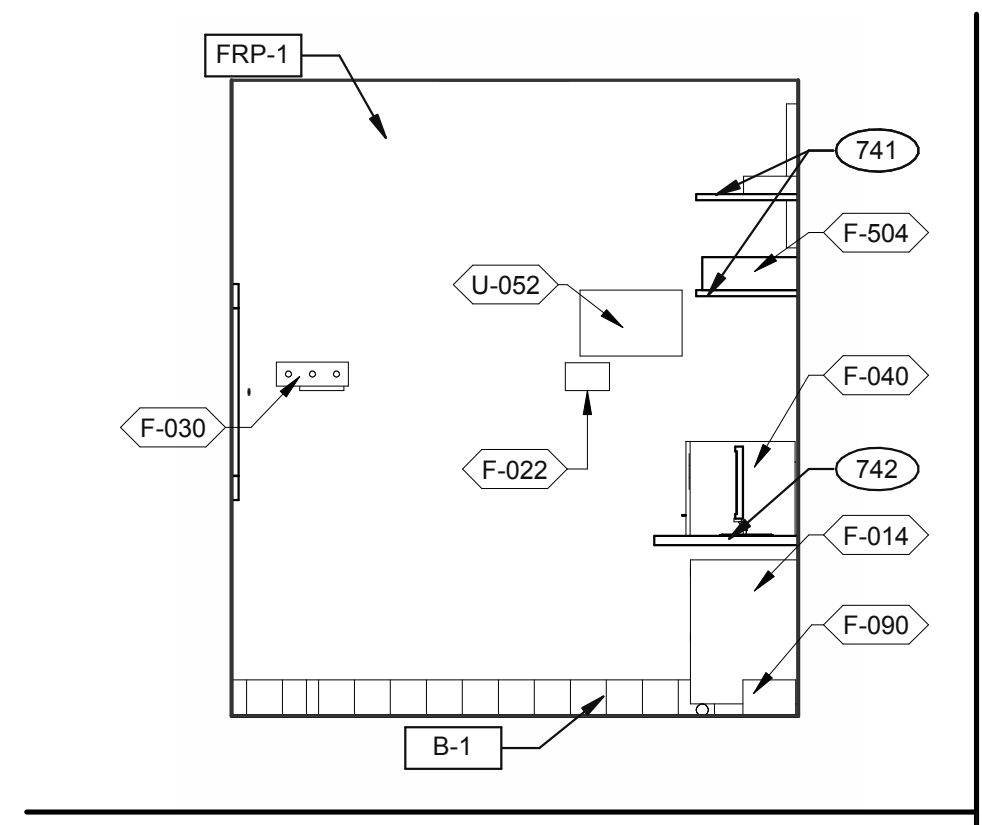
**ENDEAVOR 2.0
 INTERIOR
 ELEVATIONS
 DINING ROOM**

A8.0

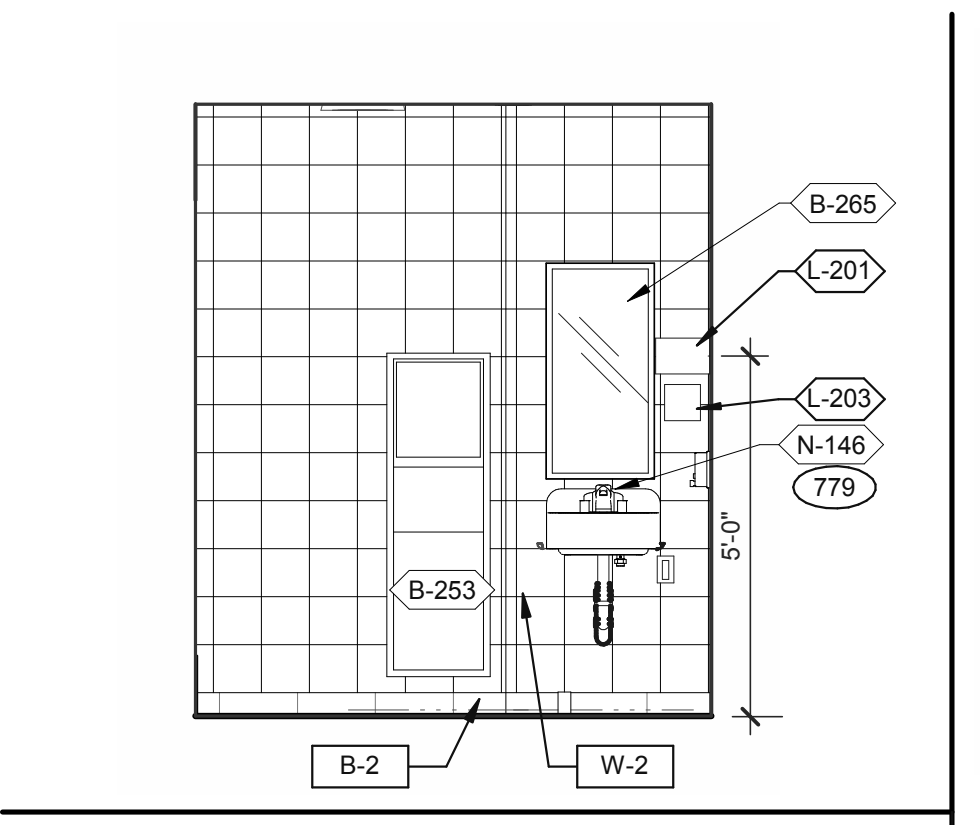
PLOT DATE: 5/5/2022 11:11:15 AM



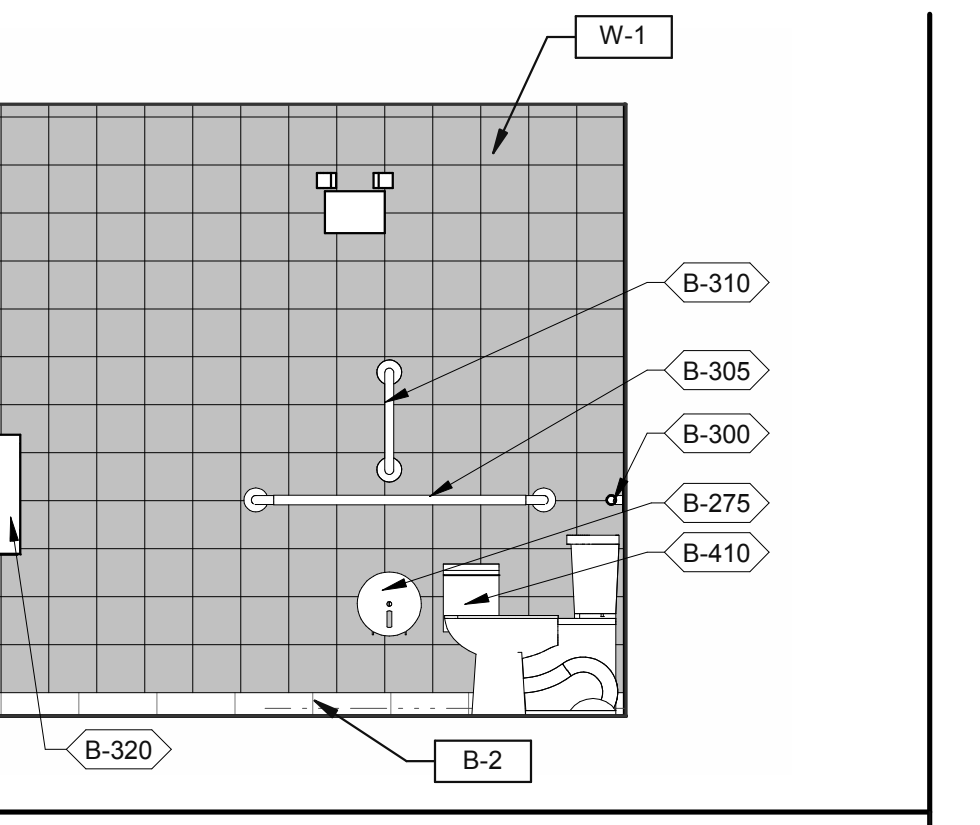
520 S. MAIN STREET, SUIT 2531
AKRON, OH 44311
330.572.2100 FAX: 330.572.2102



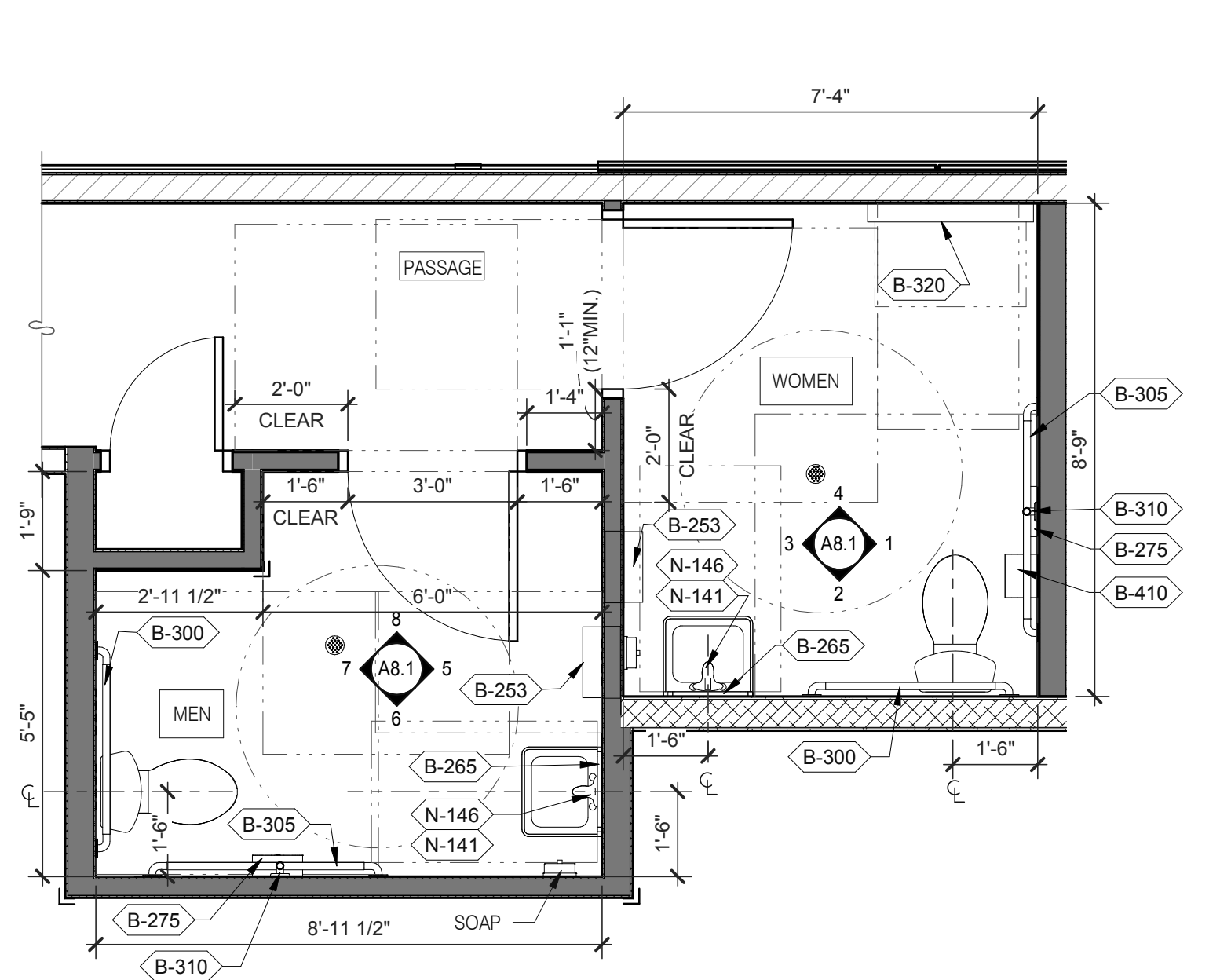
OFFICE ELEVATION 3/8" = 1'-0" **9**



MEN'S RESTROOM 3/8" = 1'-0" **5**



WOMEN'S RESTROOM 3/8" = 1'-0" **1**

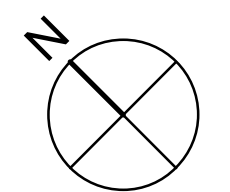


- A. PROVIDE PROPER 2x BLOCKING AT WALL RECESSED MOUNTED ACCESSORIES.
- B. GRAB BARS, FASTENERS AND MOUNTING DEVICES SHALL BE INSTALLED PER ADA REQUIREMENTS. REFER TO SHEET ADA1.0
- C. REFER TO FLOOR PLAN NOTE FOR BLOCKING AND SUBSTRATE NOTES.
- D. REFER TO SHEET ADA1.0 FOR MOUNTING HEIGHTS AND CLEARANCES OF ACCESSORIES AND FIXTURE.

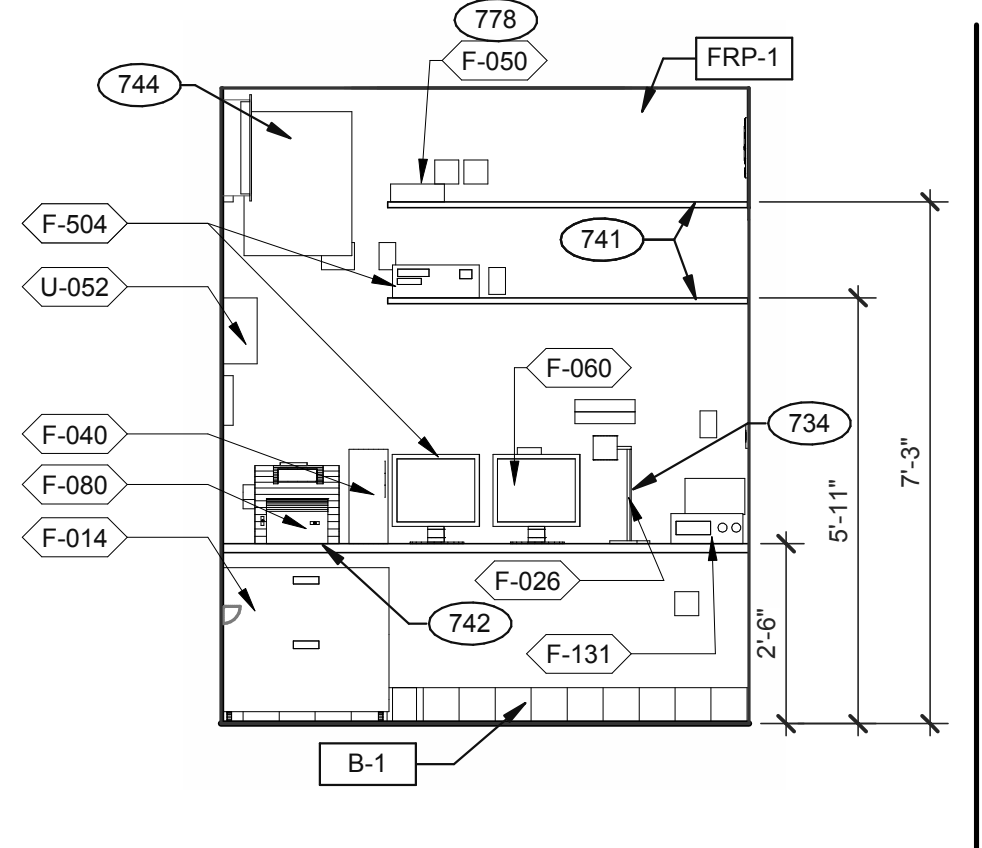
ALL DIMENSIONS THIS DRAWING ARE TO FINISH SURFACE.

* ABSOLUTE DIMENSION

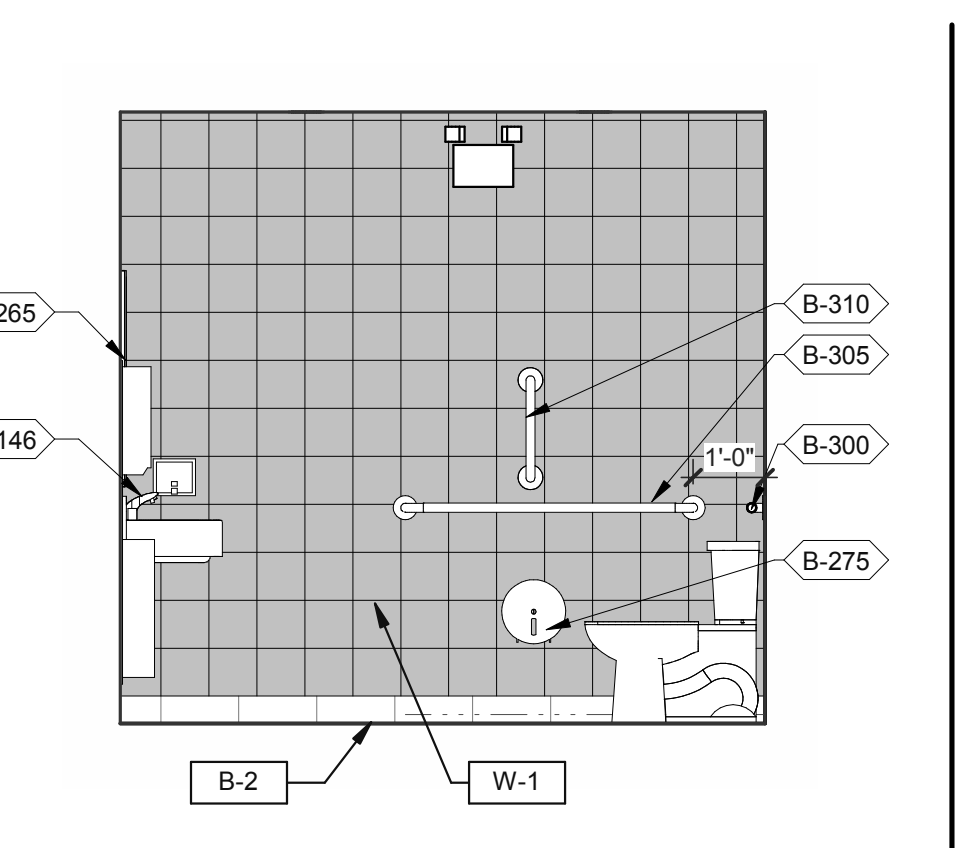
NOTE:
REFER TO G4.0 & G4.1 FOR SIGNAGE.
REFER TO SHEET A2.1 FOR FIXTURE LIST.



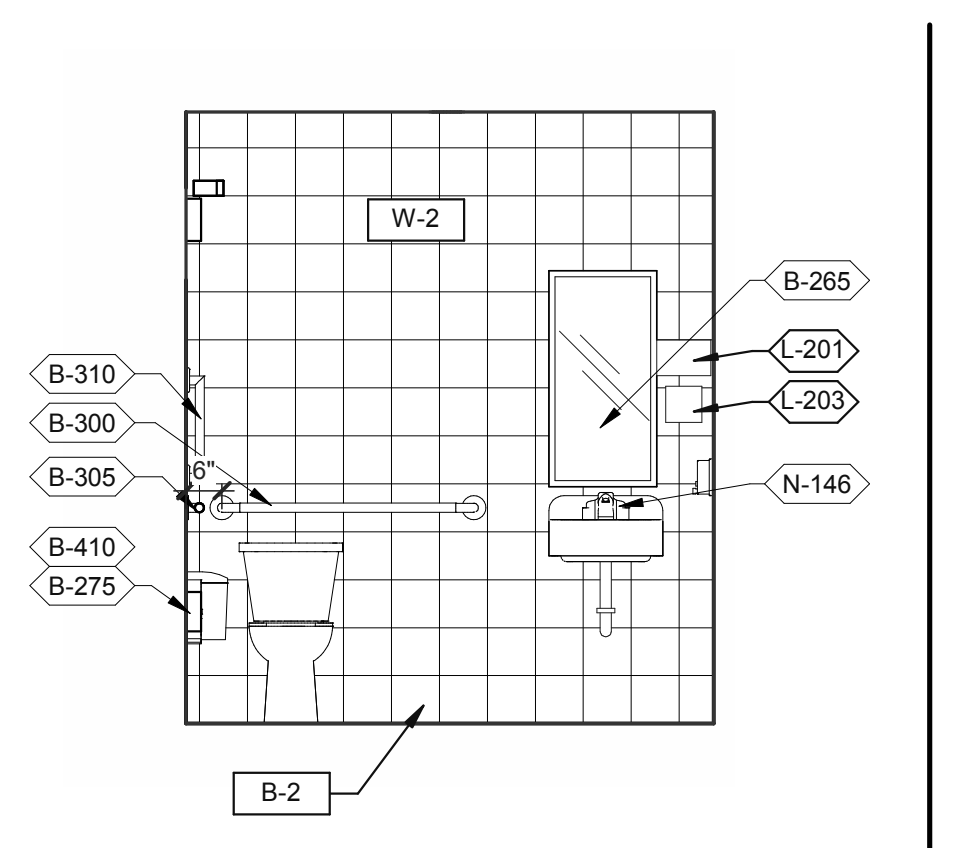
ENLARGED RESTROOM / GENERAL NOTES 3/8" = 1'-0" **A**



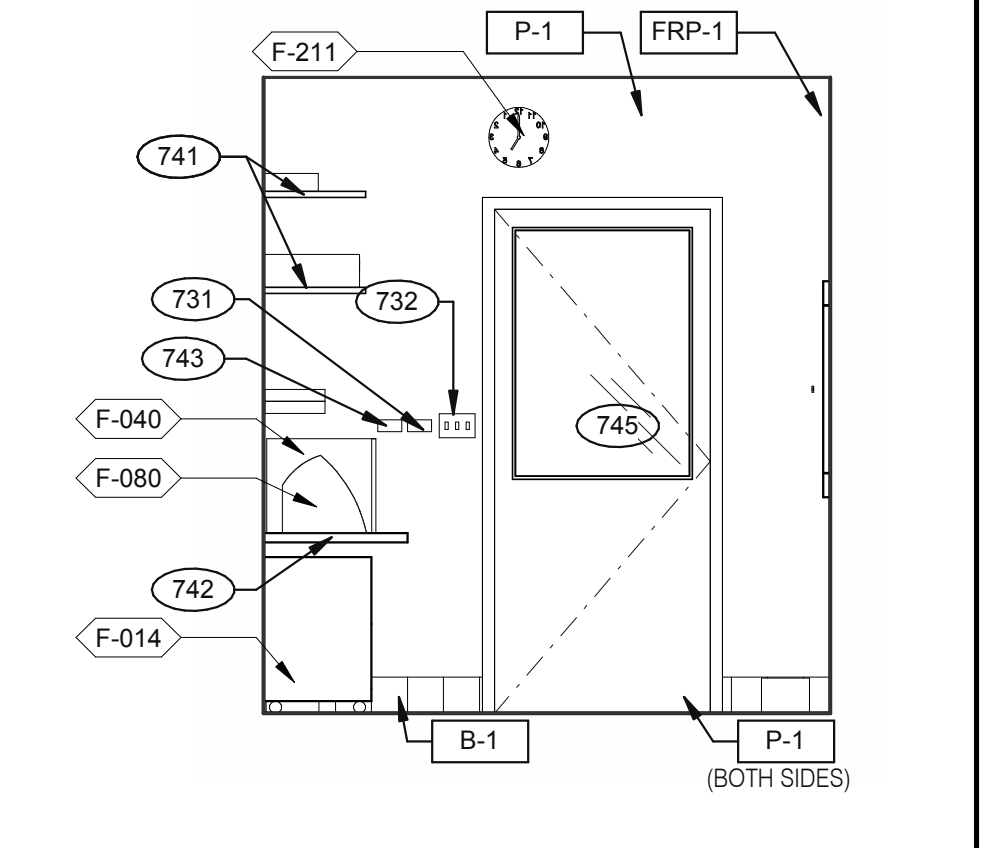
OFFICE ELEVATION 3/8" = 1'-0" **10**



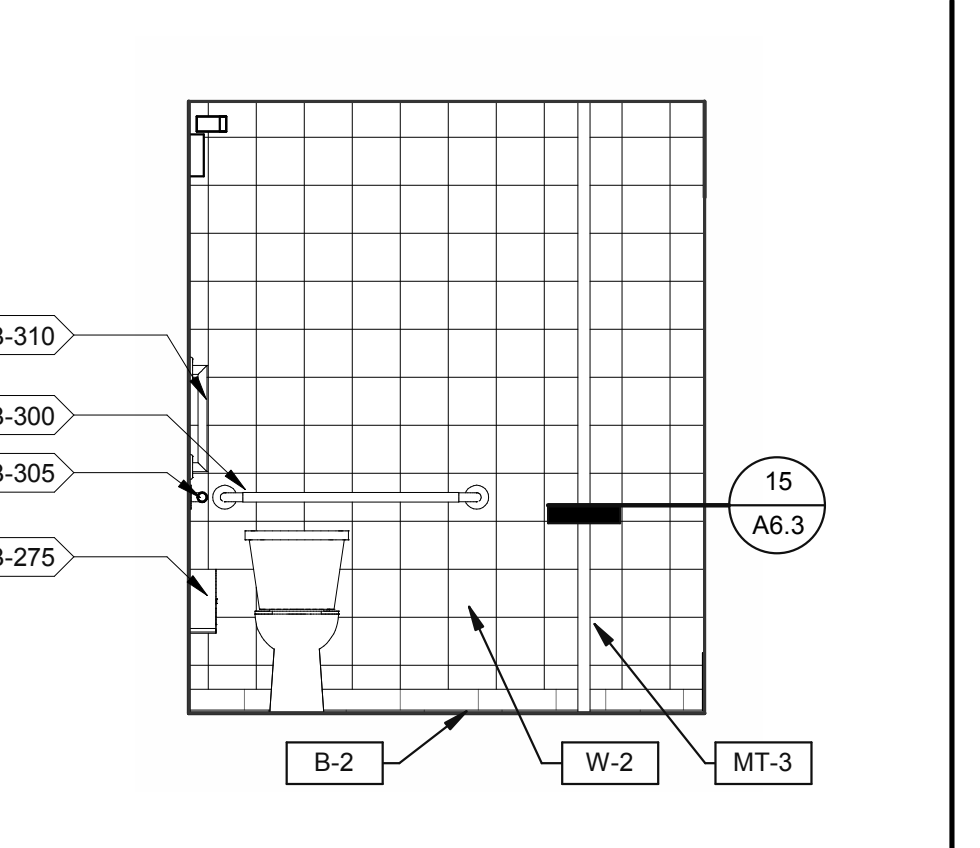
MEN'S RESTROOM 3/8" = 1'-0" **6**



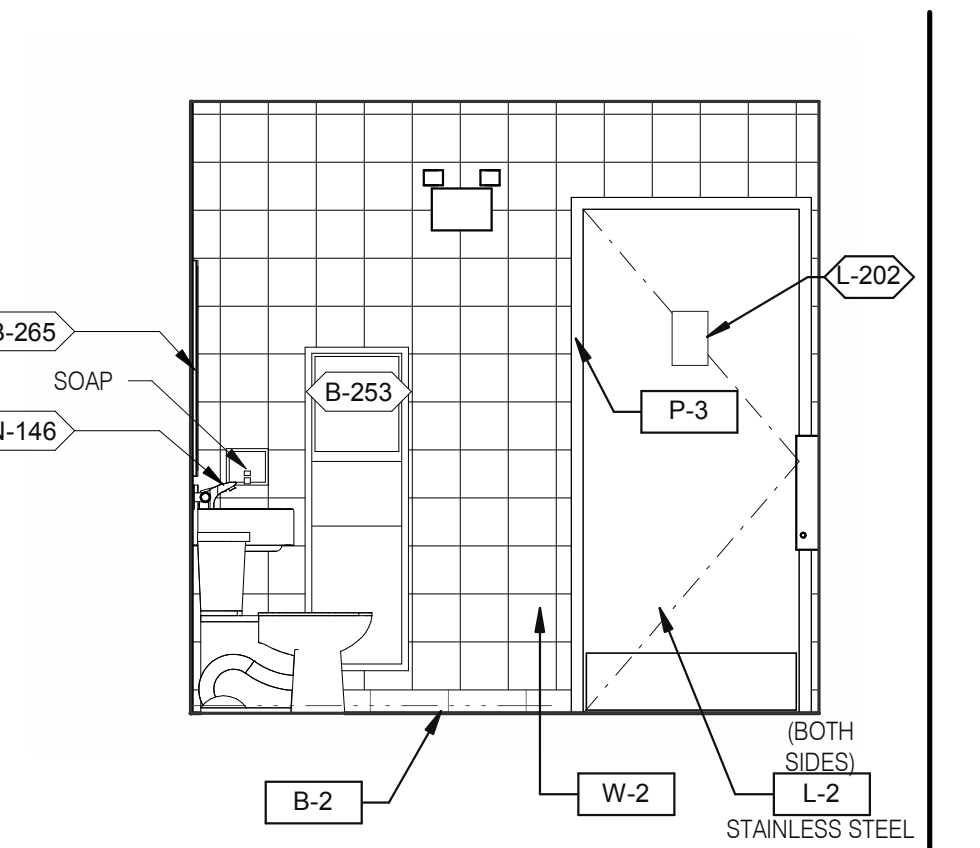
WOMEN'S RESTROOM 3/8" = 1'-0" **2**



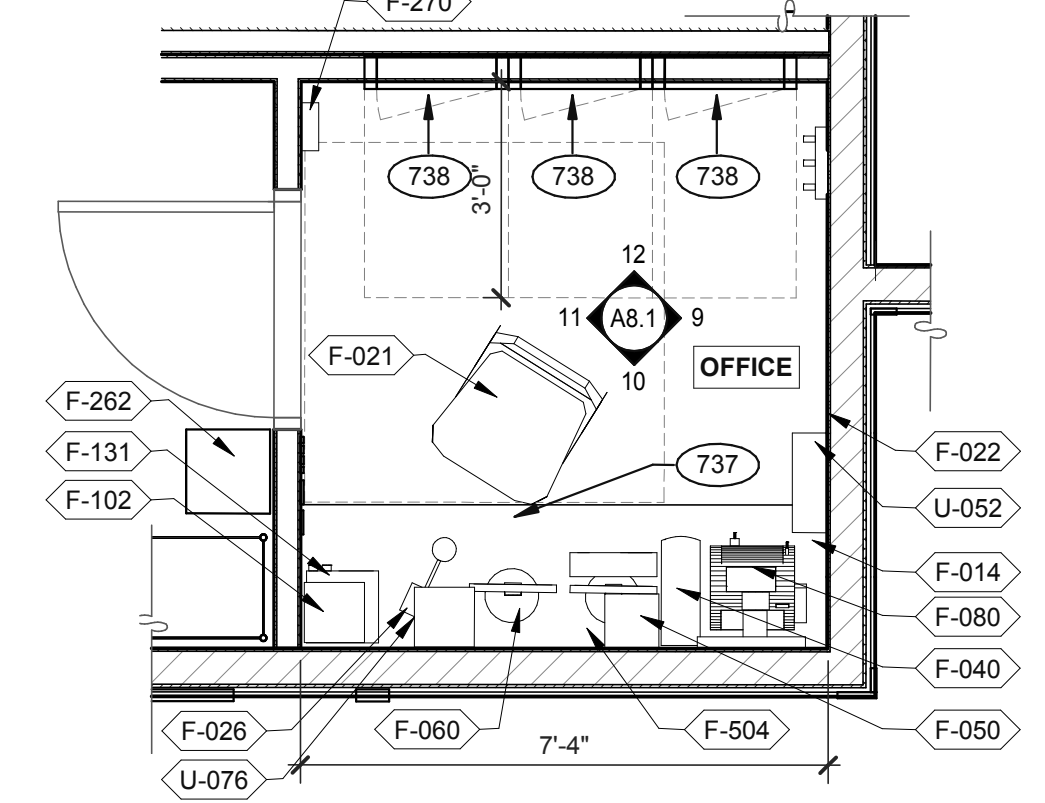
OFFICE ELEVATION 3/8" = 1'-0" **11**



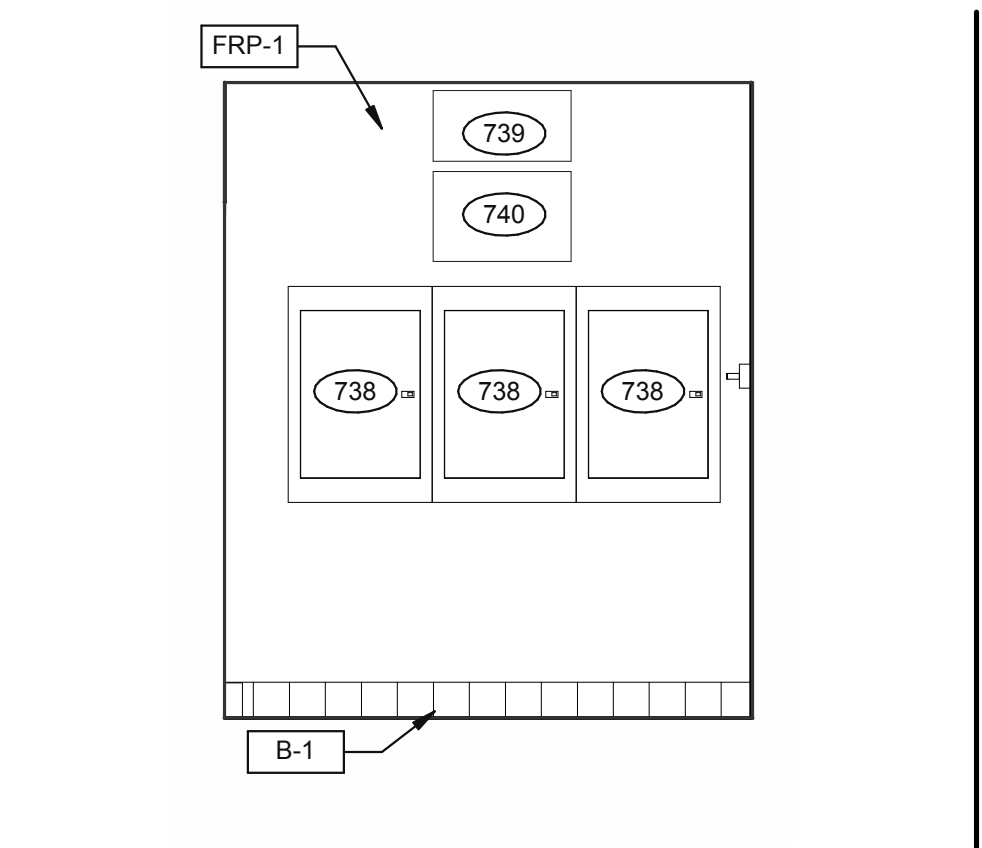
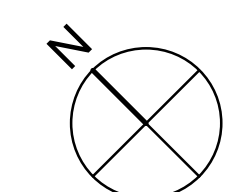
MEN'S RESTROOM 3/8" = 1'-0" **7**



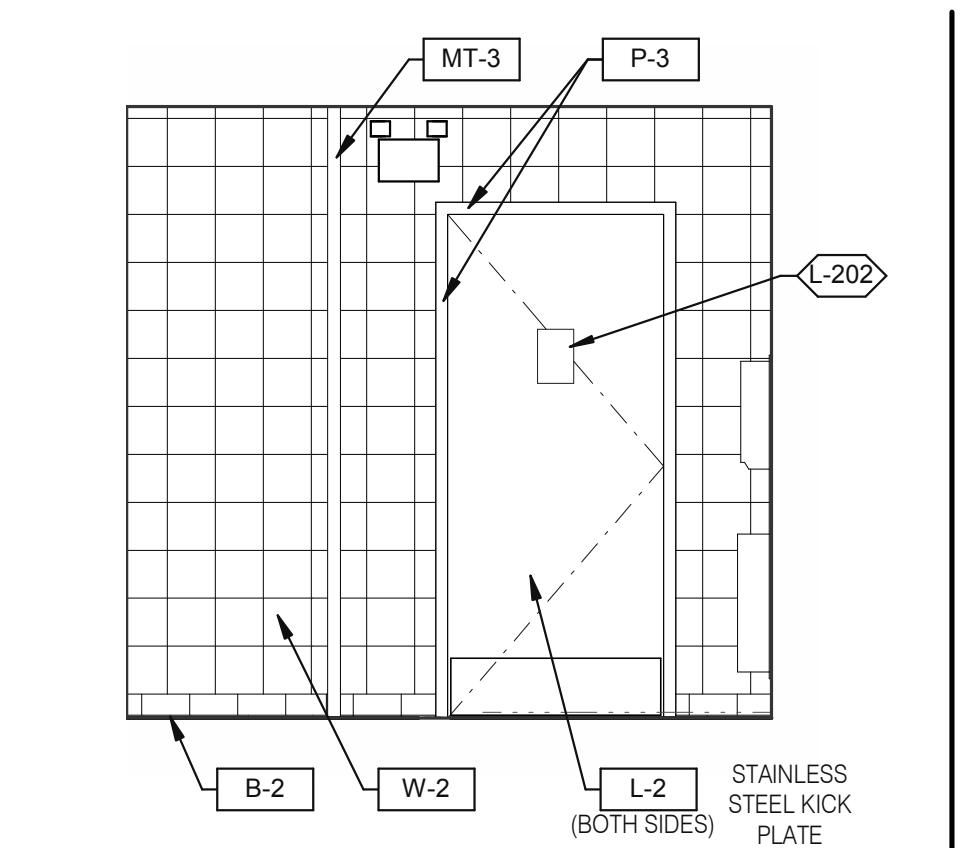
WOMEN'S RESTROOM 3/8" = 1'-0" **3**



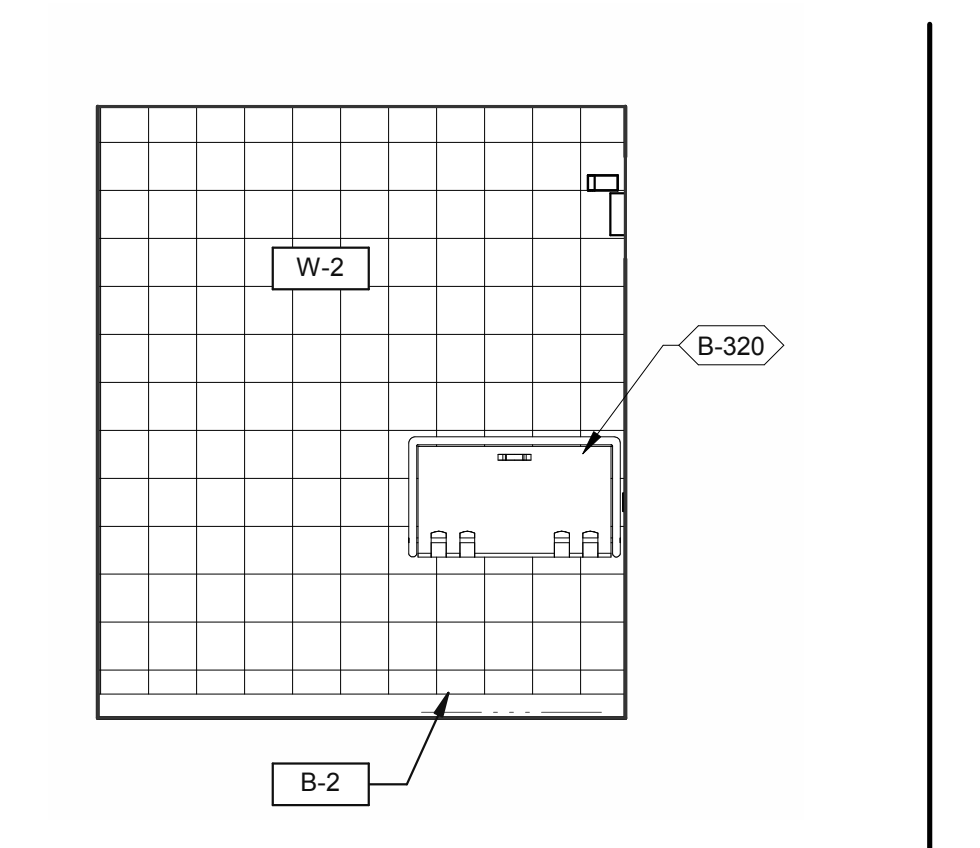
OFFICE PLAN 3/8" = 1'-0" **B**



OFFICE ELEVATION 3/8" = 1'-0" **12**



MEN'S RESTROOM 3/8" = 1'-0" **8**



WOMEN'S RESTROOM 3/8" = 1'-0" **4**

- 731 THERMOSTATS.
- 732 LIGHTING CONTROL RELAY SWITCHES. SEE DETAIL 3/E3.1.
- 734 DESK LAMP.
- 737 UNDER COUNTER KEYBOARD TRAY.
- 738 ELECTRIC PANELS.
- 739 FAN & LIGHT CONTROL BOX; REFER TO SHEET E6.0.
- 740 EXTERIOR LIGHTING CONTROL PANEL (GREEN GATE).
- 741 SHELF BY GC - FINISH WITH PLASTIC LAMINATED, L-1.
- 742 COUNTER BY GC - FINISH WITH PLASTIC LAMINATED, L-1.
- 743 DUCT SMOKE DETECTOR RESET SWITCH.
- 744 TECH-IN-A-BOX (WALL MOUNT RACK ENCLOSURE CABINETS); REFER TO SHEET E3.1. GC TO PROVIDE BLOCKING WHERE REQUIRED.
- 745 DOOR IS OPTIONAL.
- 778 PROVIDE POWER FOR F-050.
- 779 PROVIDE POWER FOR N-146.

KEYNOTES **C**

DATE	REMARKS
05.06.22	Issued for Permit

CONTRACT DATE: 10.06.21
BUILDING TYPE: END, MED20
PLAN VERSION: MARCH 2021
BRAND DESIGNER: WANCHO
SITE NUMBER: 0
STORE NUMBER: 0
PA/PM: AB
DRAWN BY.: RS
JOB NO.: 2020188.06

TACO BELL
3039 Dixie Highway
Edgewood, KY 41017



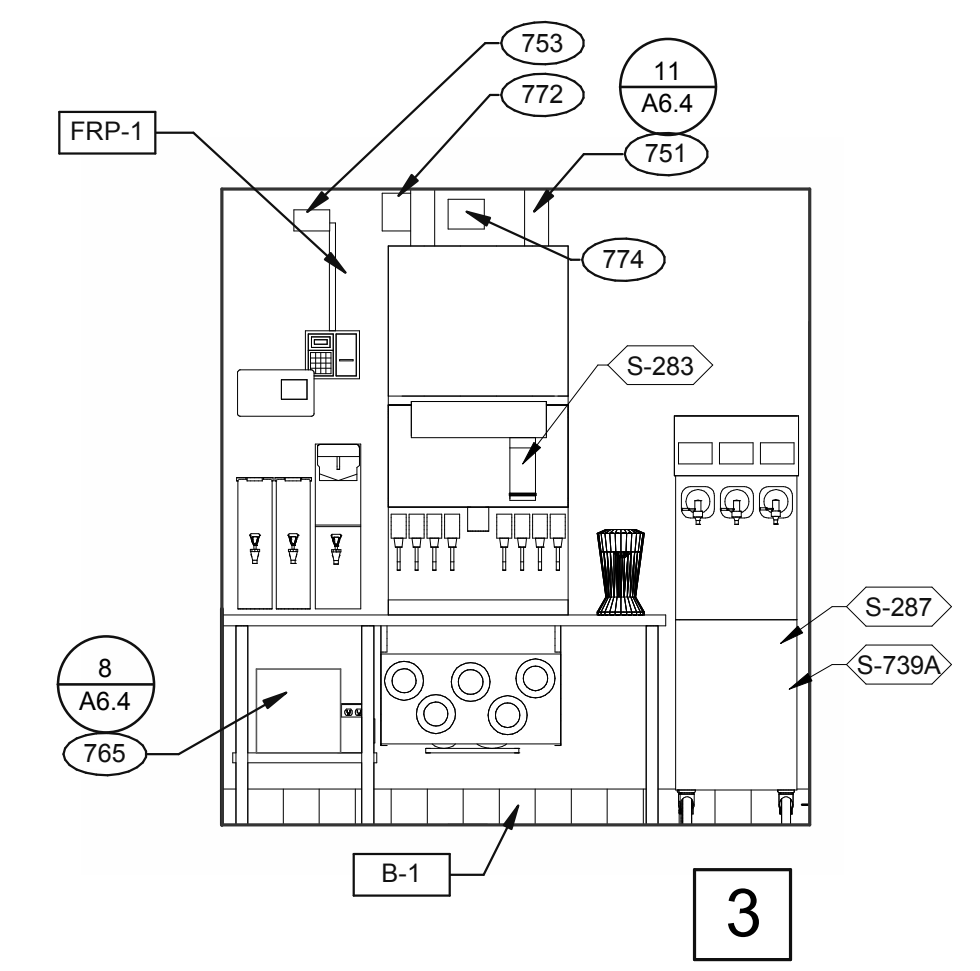
**ENDEAVOR 2.0
INTERIOR ELEV.
ENLARGED
RESTROOMS &
OFFICE PLAN**

A8.1

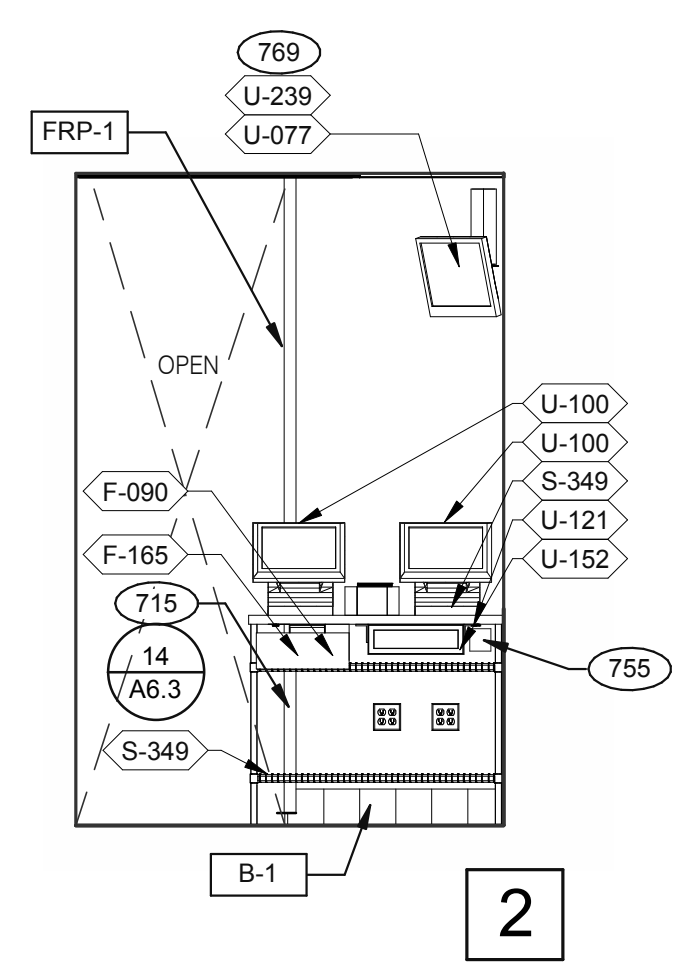
PLOT DATE: 5/5/2022 11:11:48 AM



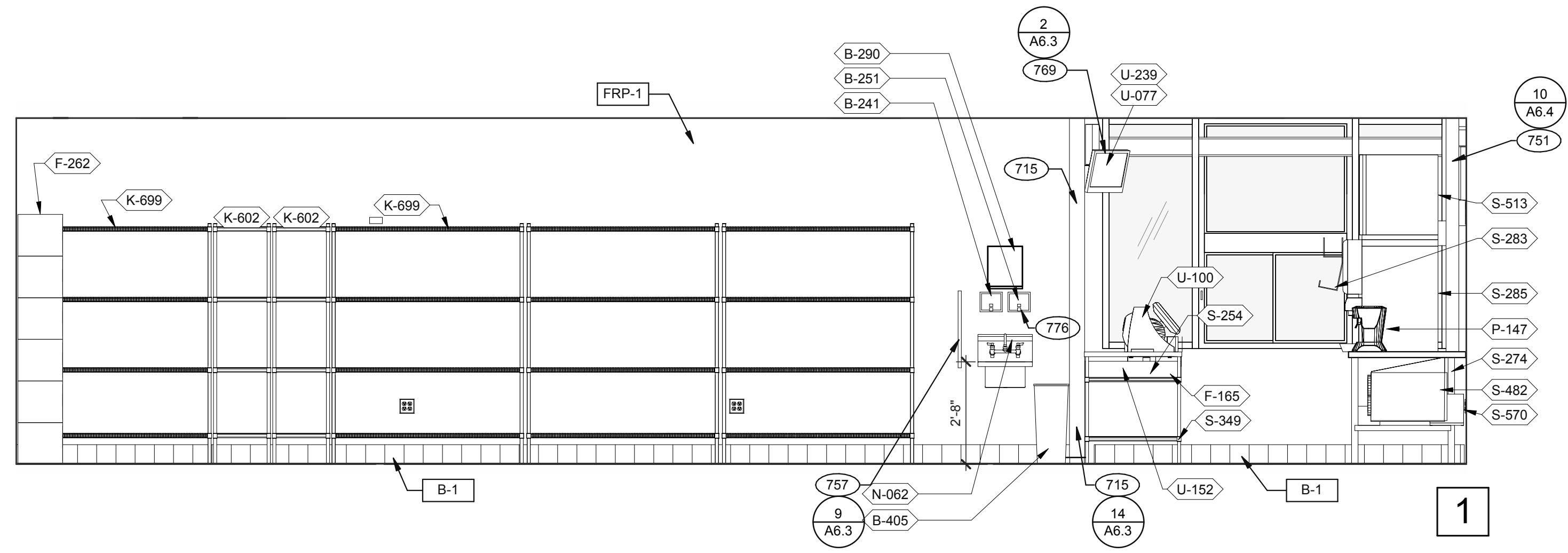
520 S. MAIN STREET, SUIT 2531
AKRON, OH 44311
330.572.2100 FAX: 330.572.2102



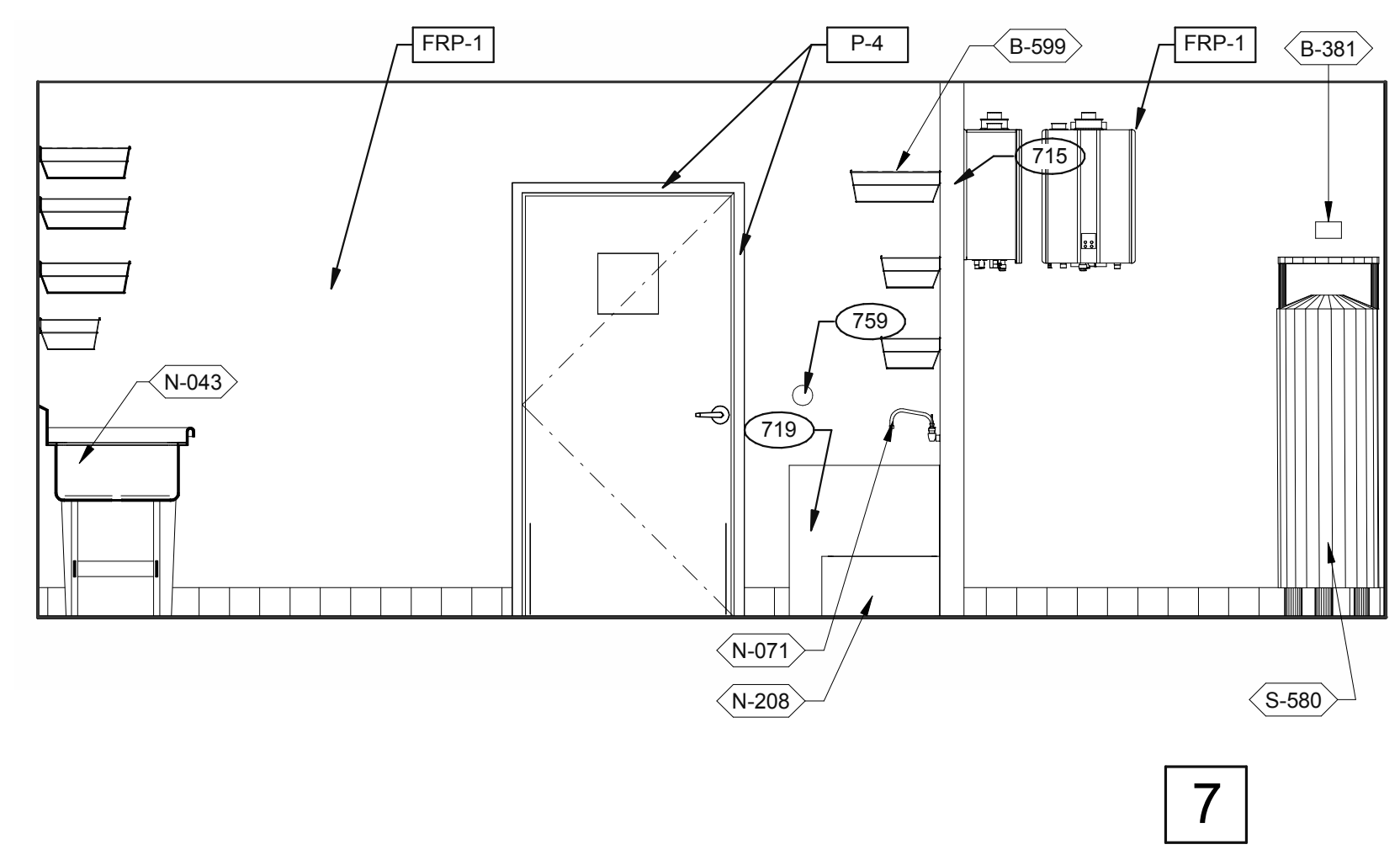
DRIVE-THRU 3/8" = 1'-0"



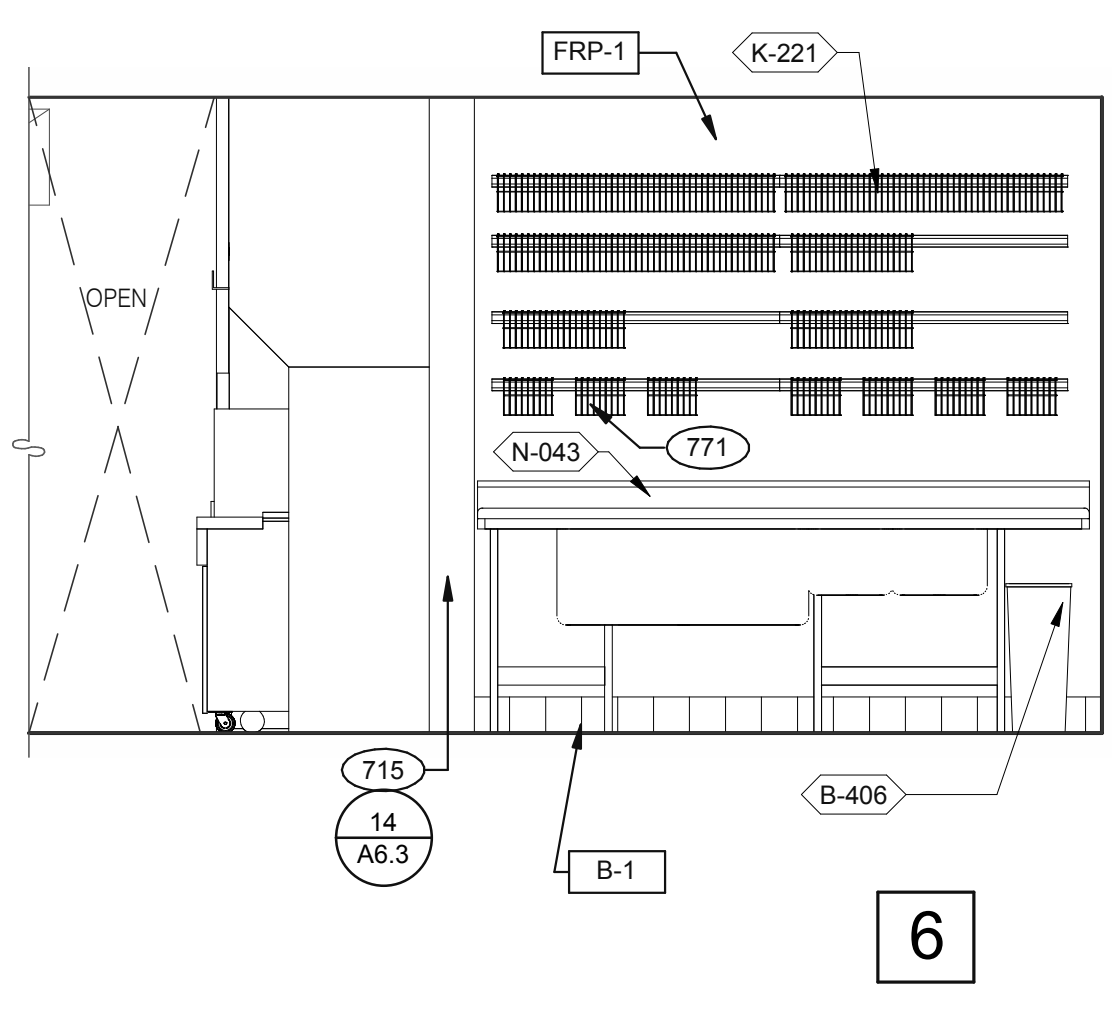
DRIVE-THRU 3/8" = 1'-0"



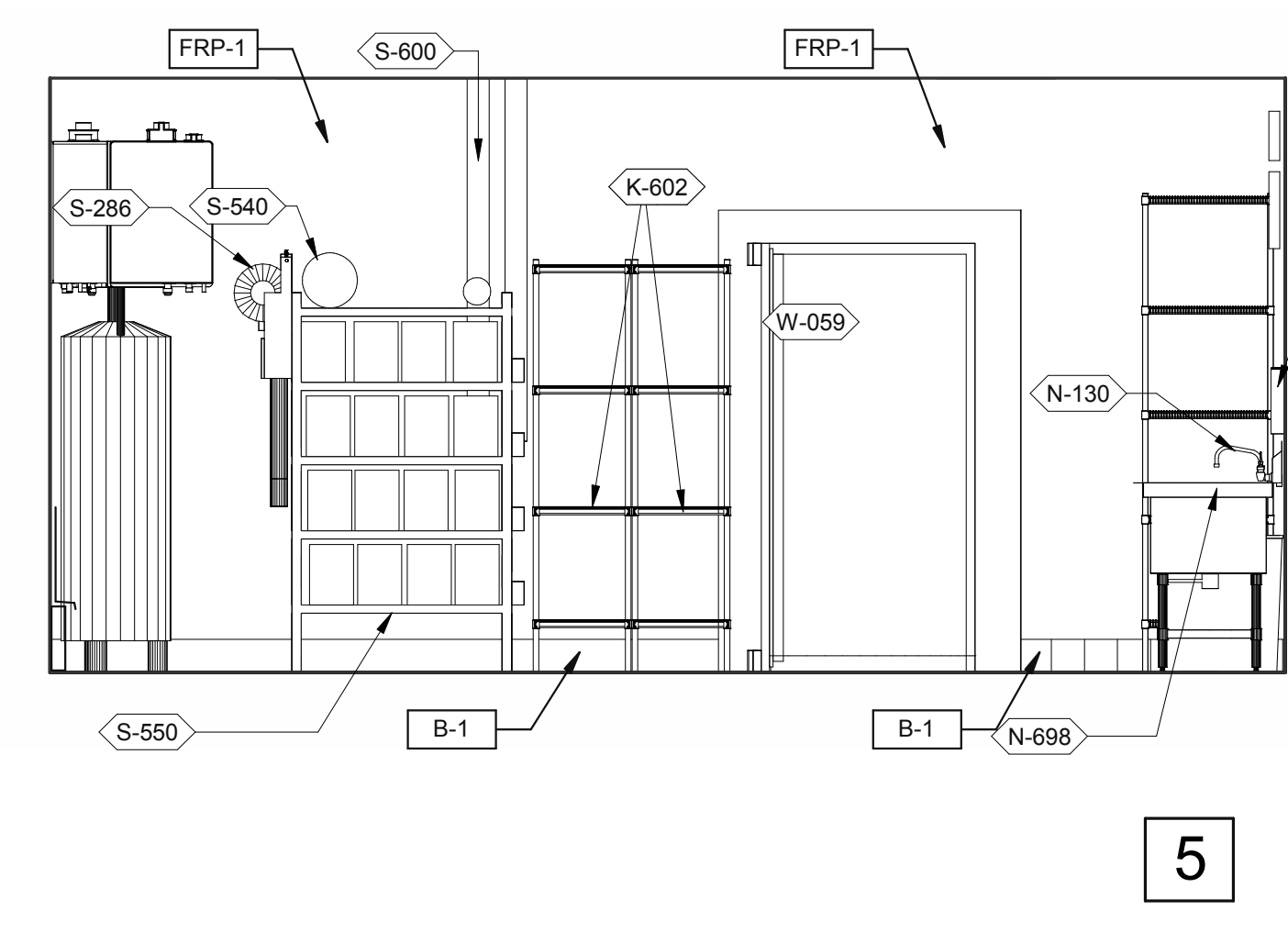
DRIVE-THRU AND TB COOK 3/8" = 1'-0"



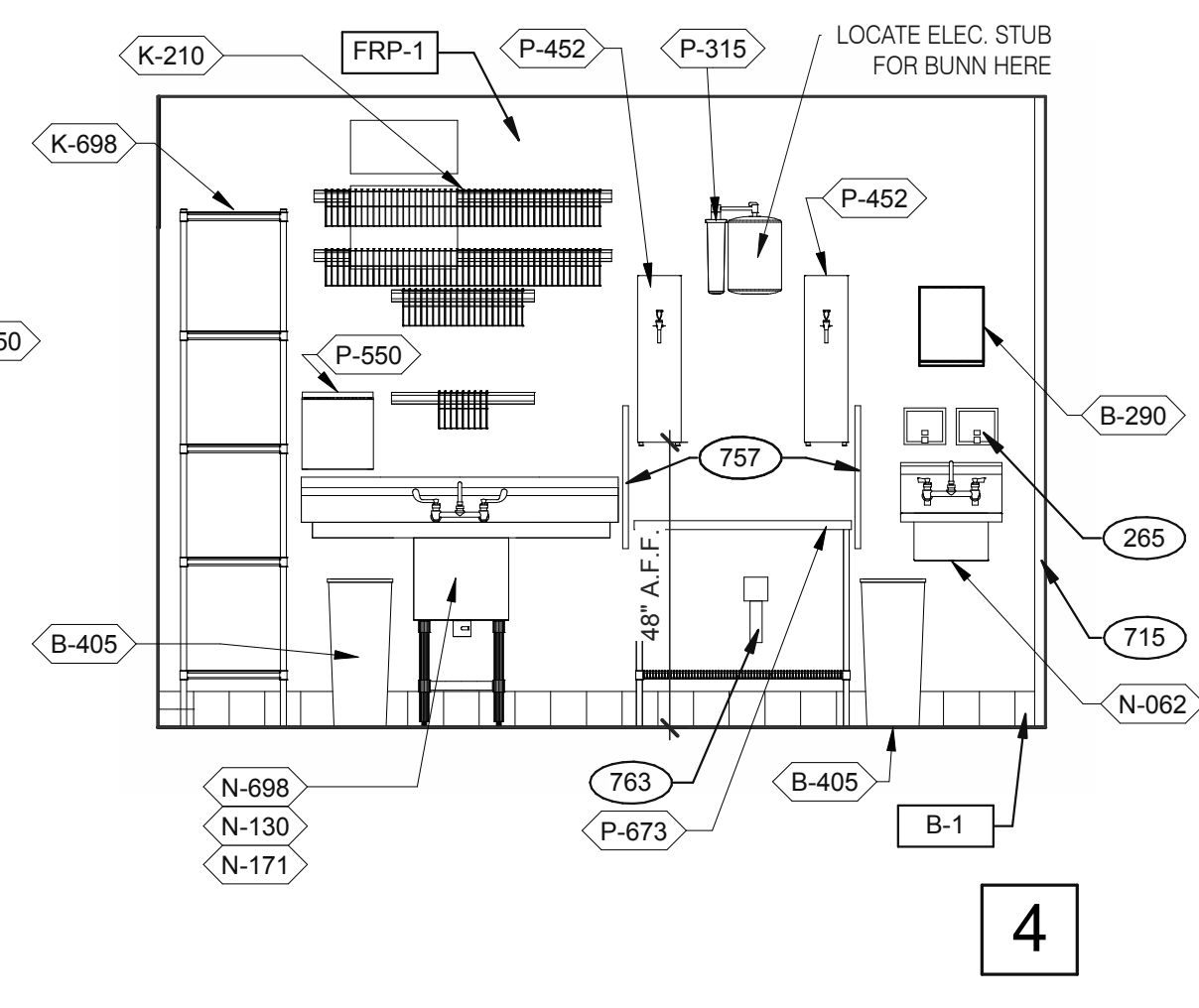
UTILITY 3/8" = 1'-0"



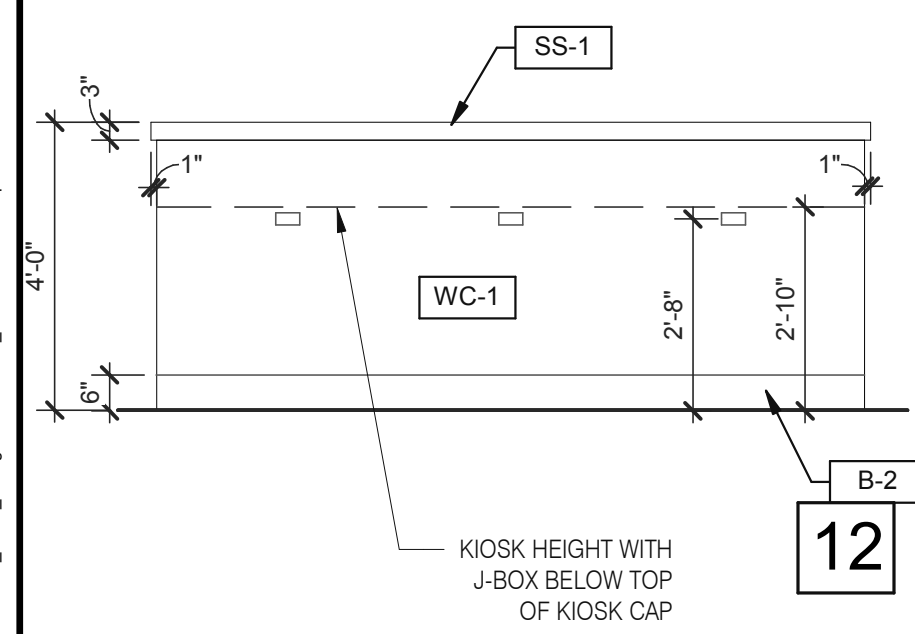
WARE WASHING 3/8" = 1'-0"



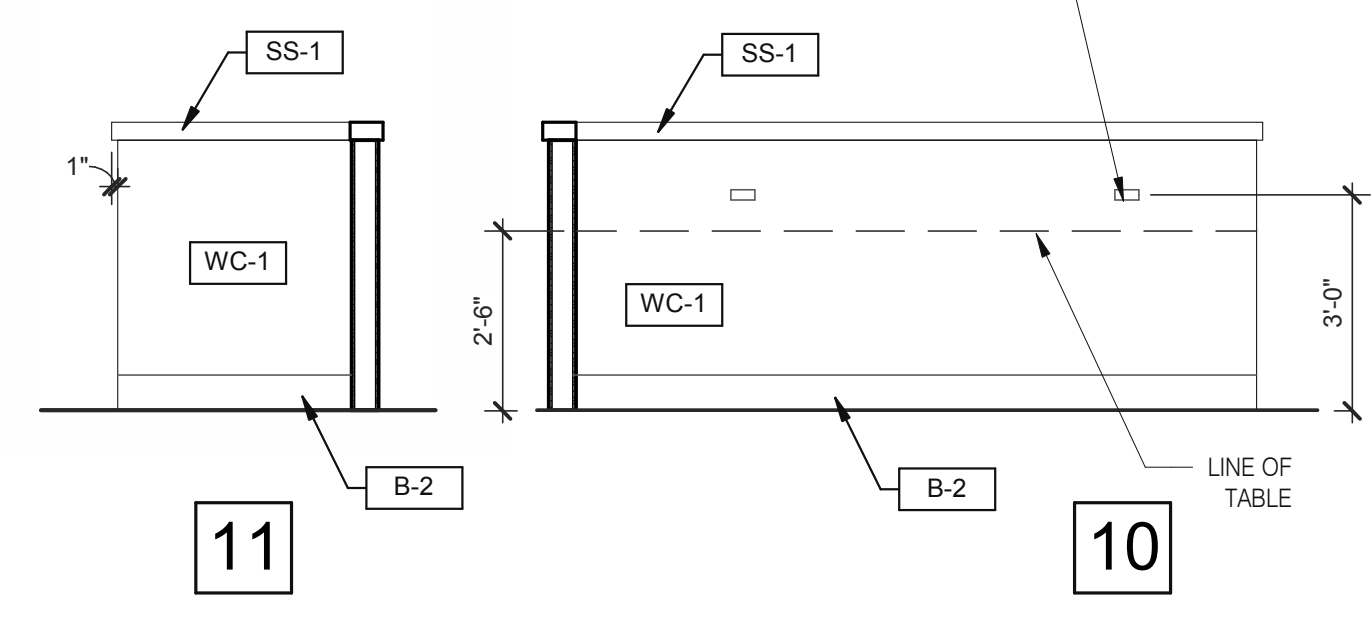
UTILITY 3/8" = 1'-0"



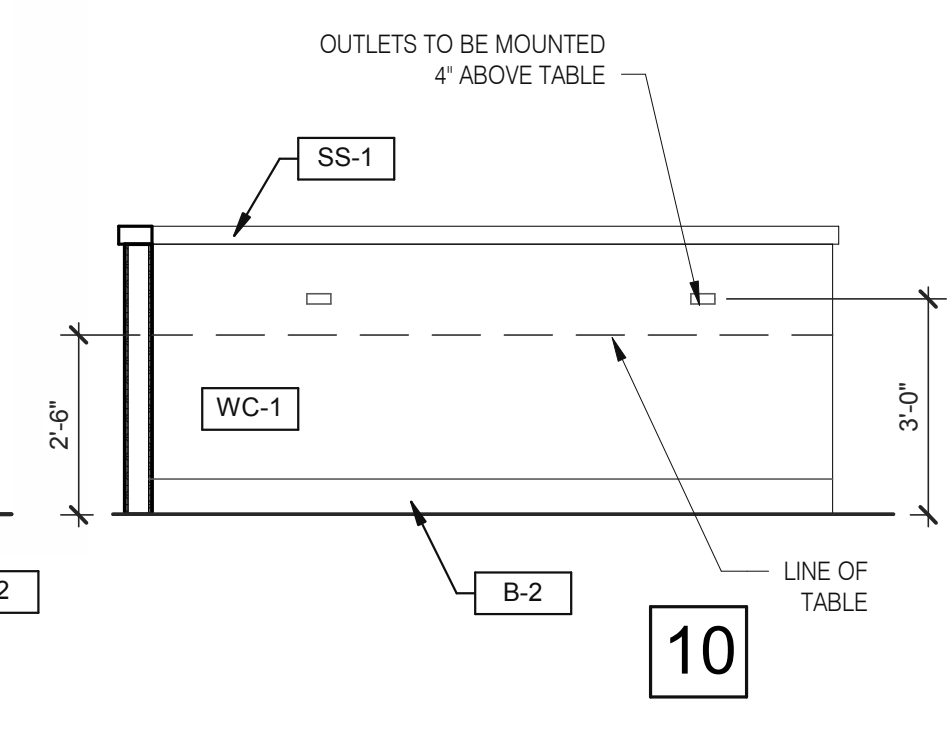
WARE WASHING 3/8" = 1'-0"



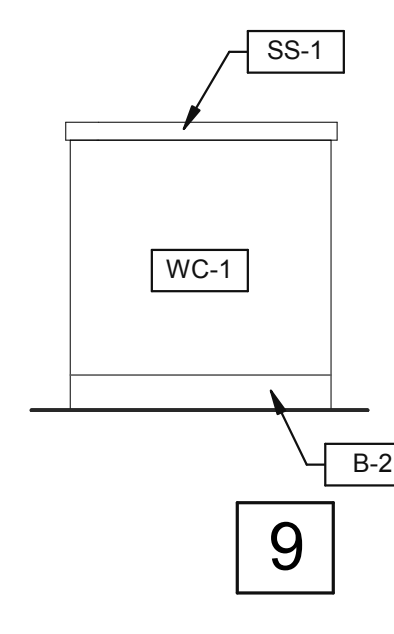
DINING PANEL ELEVATION 3/8" = 1'-0"



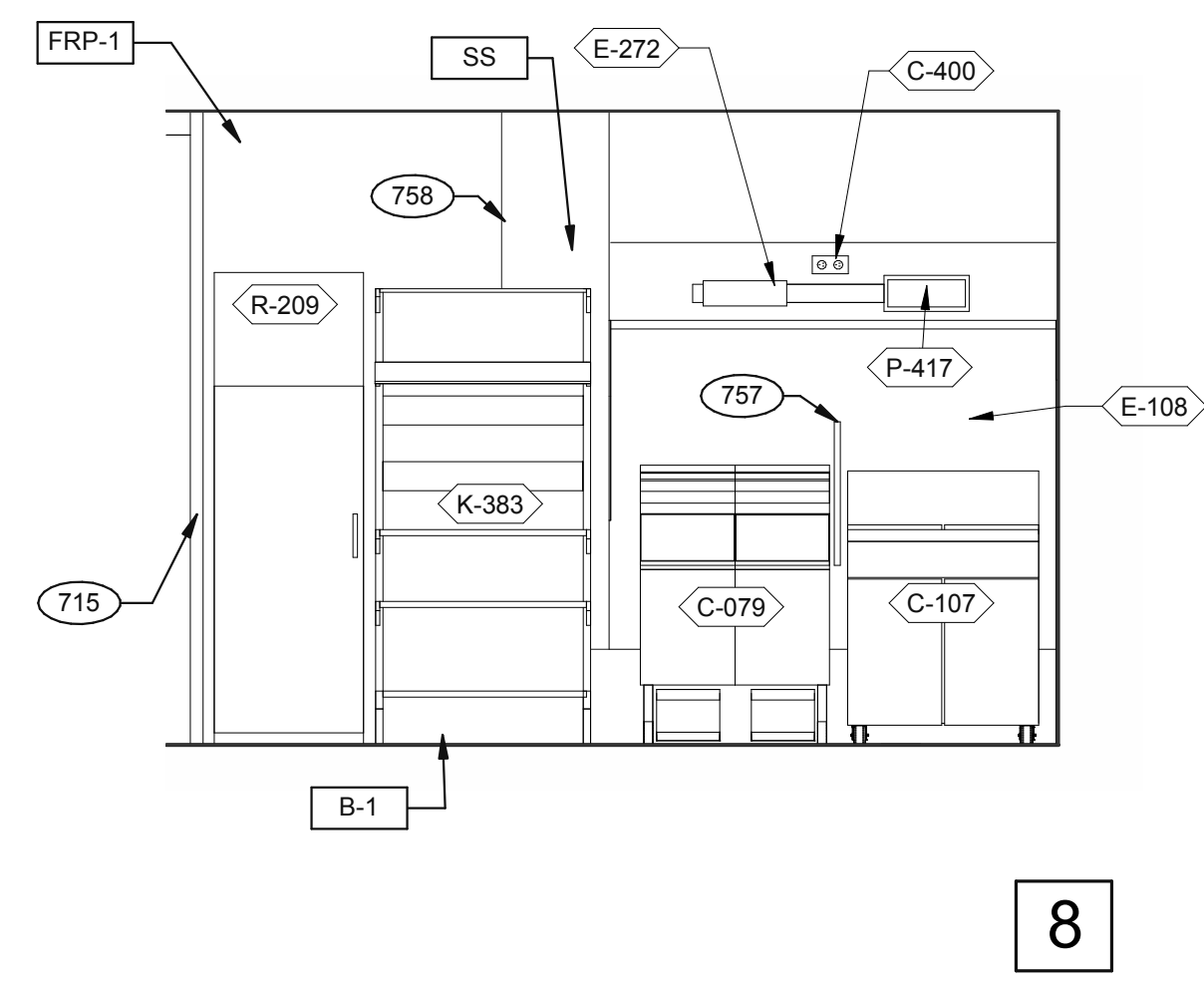
11



10



9



COOK LINE 3/8" = 1'-0"

- KEY NOTES**
- 265 AUTOMATIC HAND SOAP AND SANITIZER DISPENSERS PROVIDED BY ECOLAB.
 - 715 SS CORNER/END WALL CHANNEL GUARD, FULL HEIGHT. SEE DETAIL 14/A6.3 AND
 - 719 STAINLESS STEEL CLOSURE WITH FLASHING AND END CAP.
 - 751 STAINLESS STEEL CHASE FOR SYRUP LINES & ICE MACHINE REFRIGERANT LINES.
 - 753 DRIVE-THRU TIMER DISPLAY UNIT.
 - 755 HOLD-UP BUTTON.
 - 757 SPLASHGUARD. SEE DETAIL 9/A6.3.
 - 758 EDGE OF SS PANEL BEHIND HOOD.
 - 759 ANSUL PULL STATION.
 - 763 FILTER FOR HOT WATER SYSTEM.
 - 765 OPENING FINISHED WITH FRP FOR SYRUP TUBES. SEE DETAIL.
 - 769 CEILING MOUNT MONITOR BRACKET.
 - 771 CUT WALL-HANGING TRACK TO ALLOW SPACE FOR CLICK & CLEAN SYSTEM.
 - 772 DT TIMER SIGNAL PROCESSOR.
 - 774 DT TIMER ETHERNET SWITCH.
 - 776 AUTOMATIC HAND SOAP AND SANITIZER DISPENSER BY ECO-LAB.

KEY NOTES

DATE	REMARKS
05.06.22	Issued for Permit

CONTRACT DATE: 10.06.21
BUILDING TYPE: END, MED20
PLAN VERSION: MARCH 2021
BRAND DESIGNER: WANCHO
SITE NUMBER: 0
STORE NUMBER: 0
PA/PM: AB
DRAWN BY.: RS
JOB NO.: 2020188.06

TACO BELL

3039 Dixie Highway
Edgewood, KY 41017



**ENDEAVOR 2.0
INTERIOR
ELEVATIONS
KITCHEN**

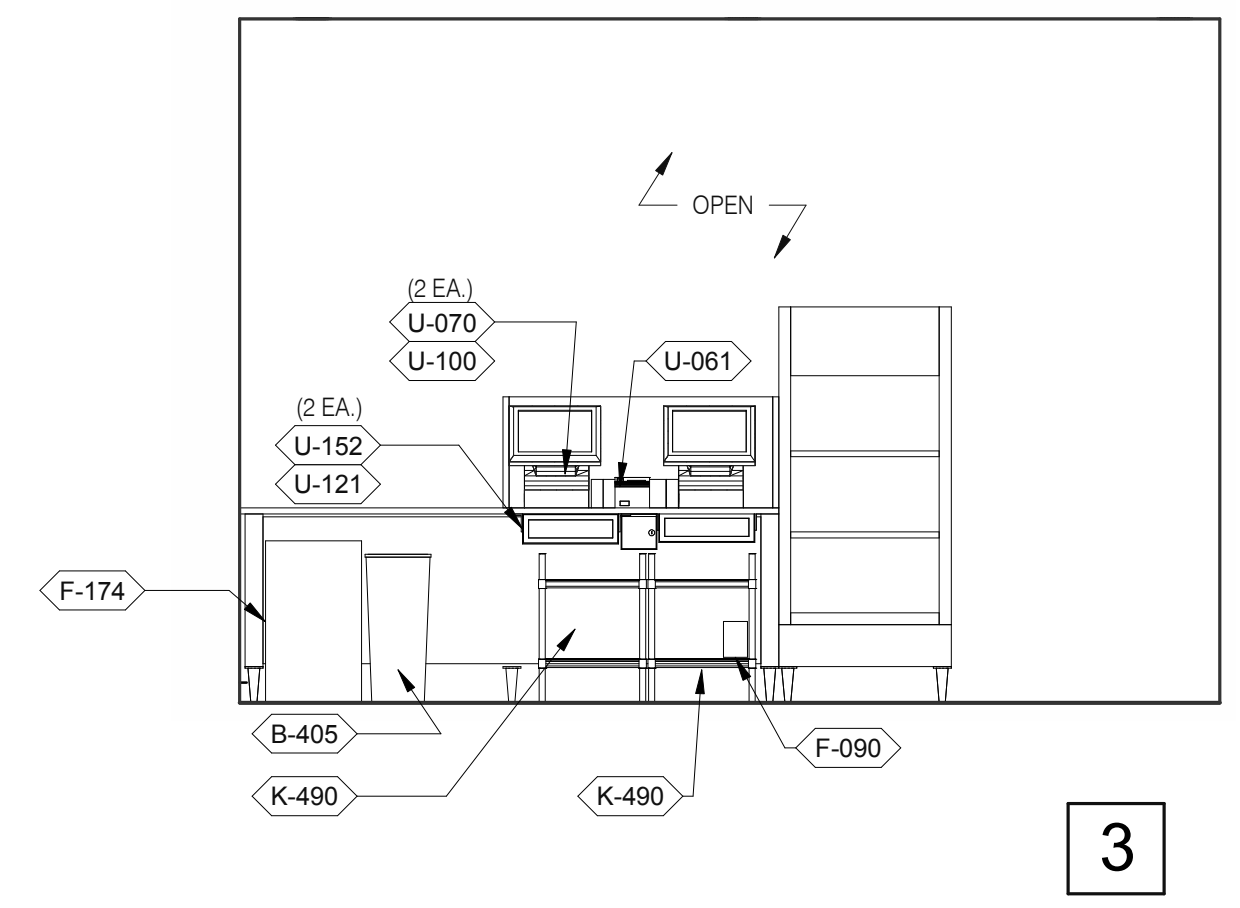
A8.2

PLOT DATE: 5/5/2022 11:12:19 AM

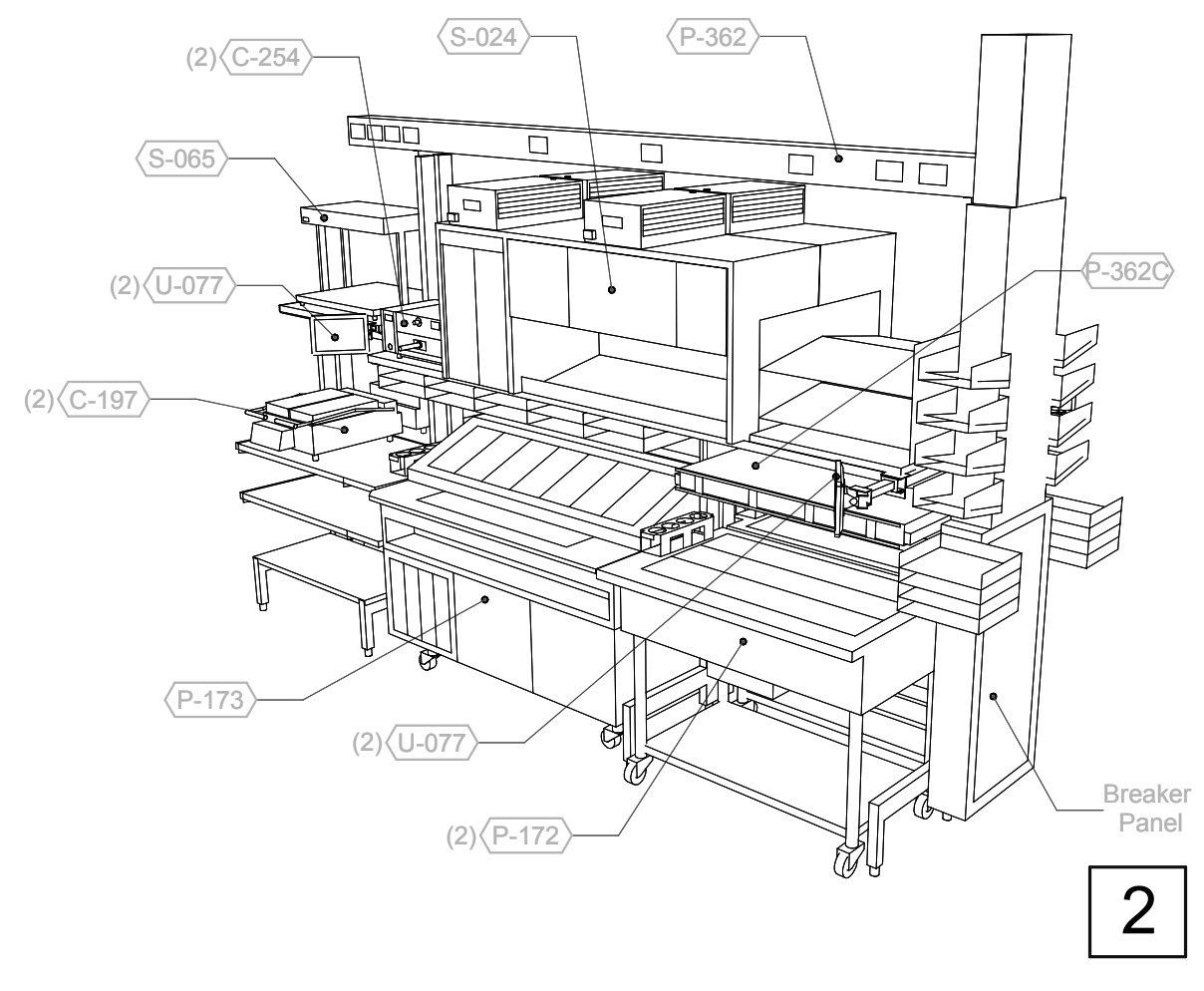
C:\Users\miller\Documents\ARCH_L\BMD_Elevator_KY\Mixed_M\BelleGPD\Drawings



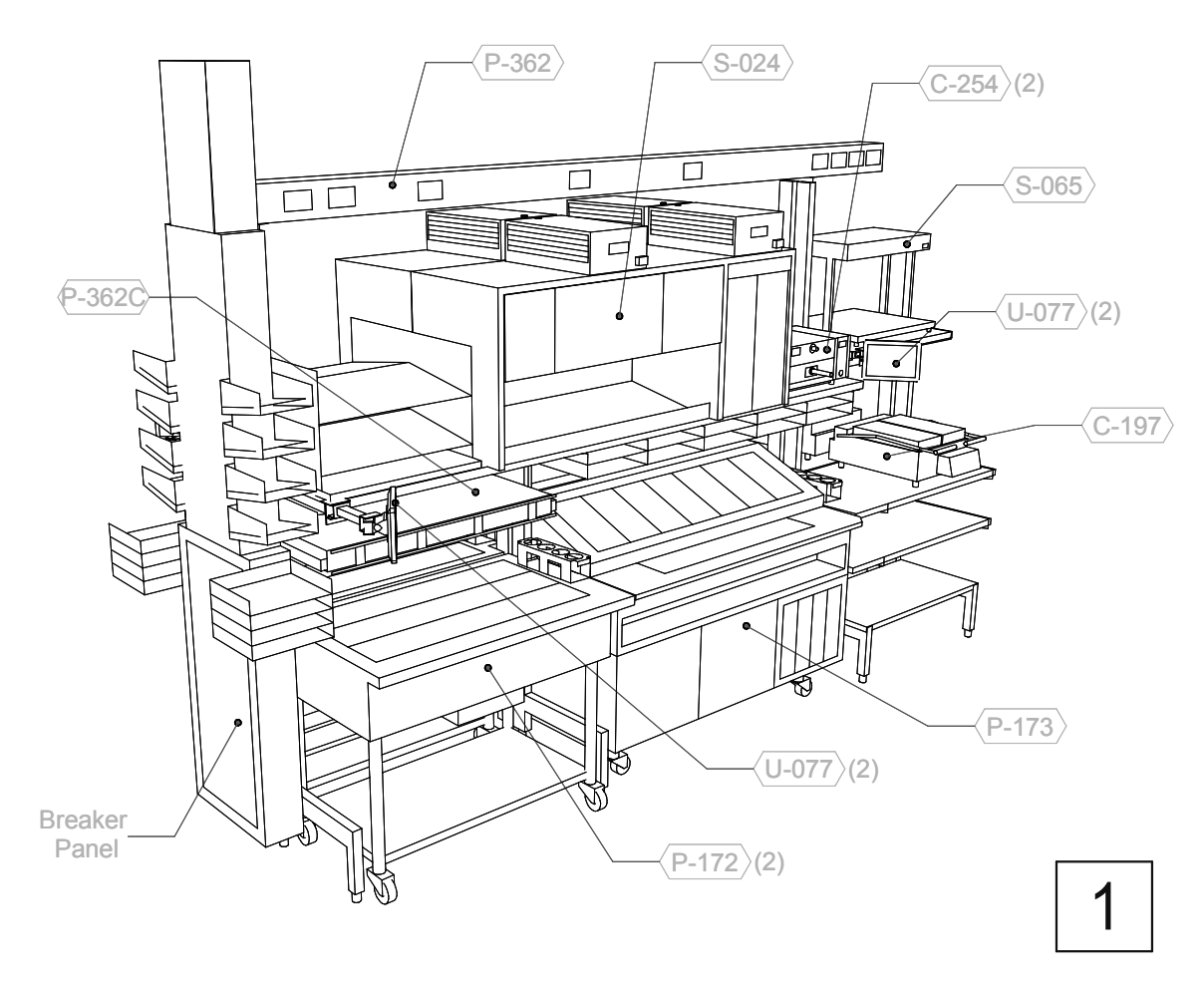
520 S. MAIN STREET, SUIT 2531
AKRON, OH 44311
330.572.2100 FAX: 330.572.2102



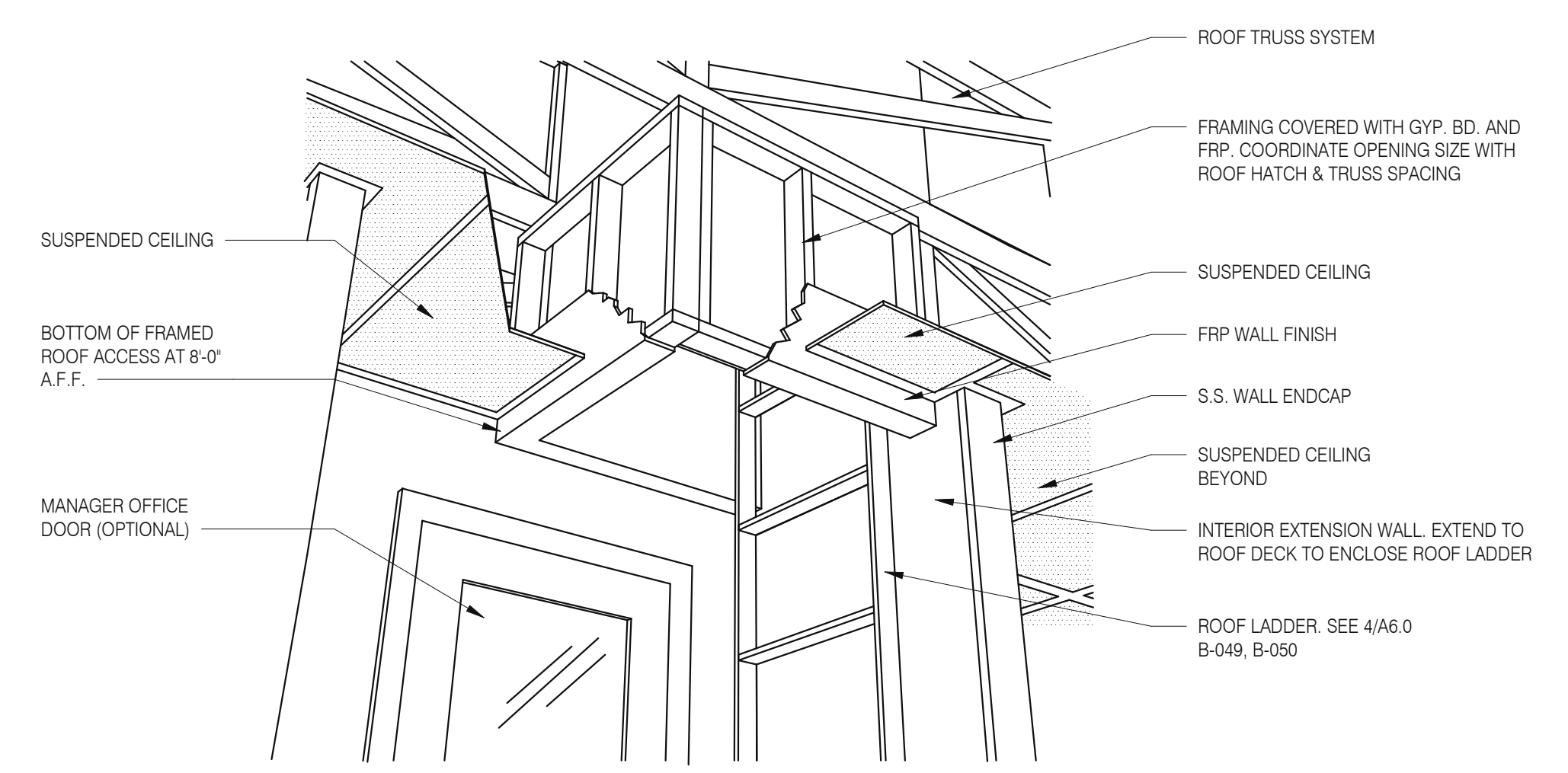
SERVING 3/8" = 1'-0"



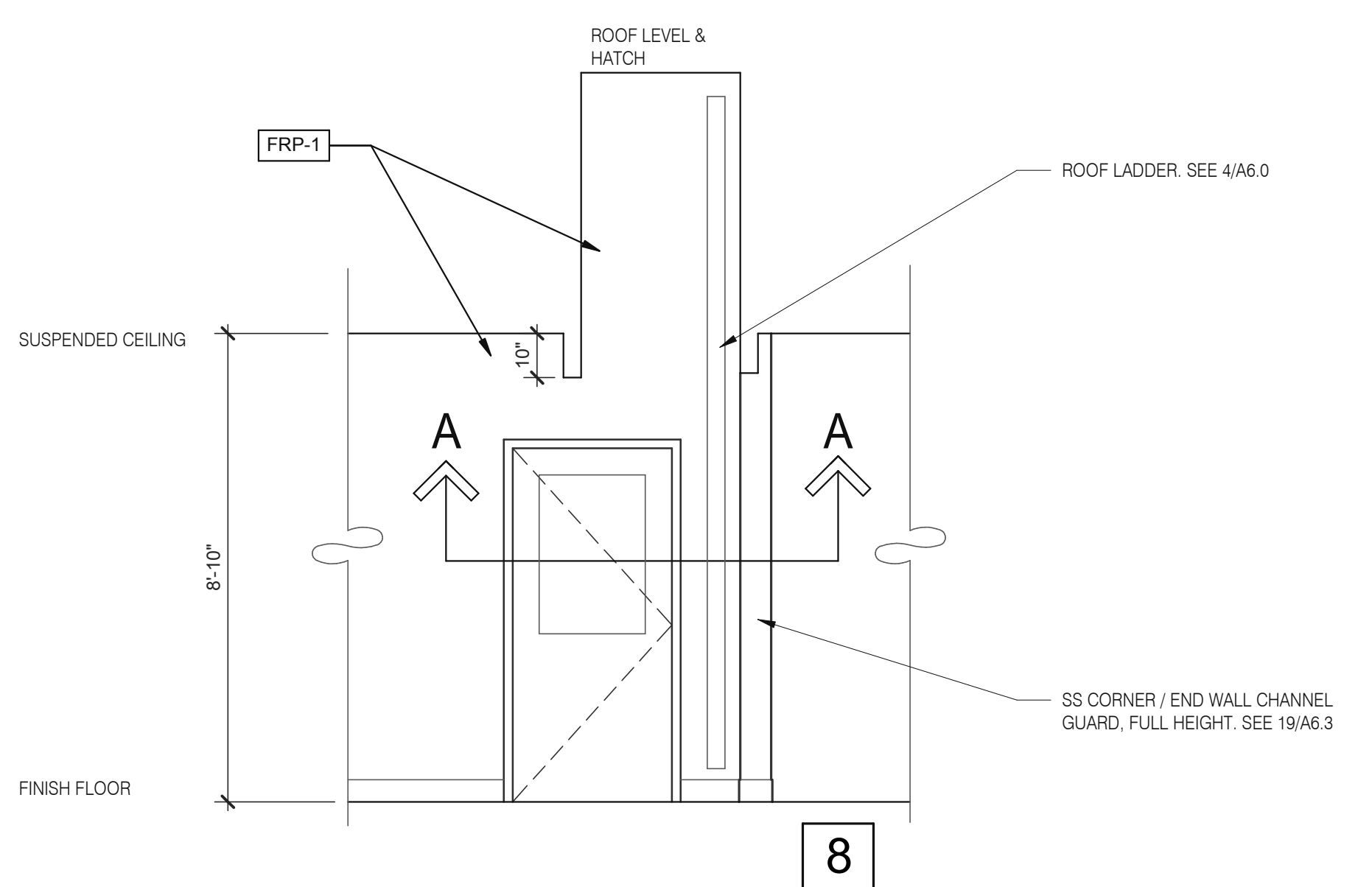
P-362B FLEX DUAL-LINE 3/8" = 1'-0"



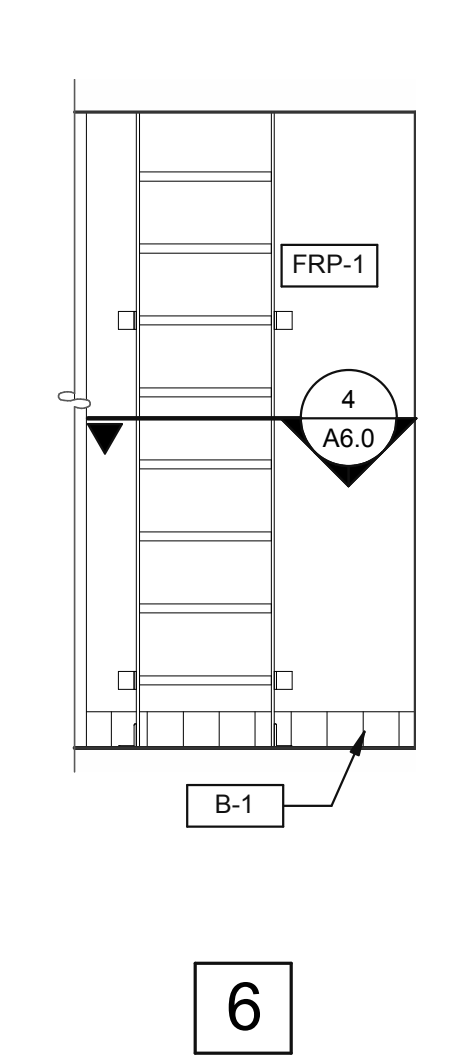
EMPLOYEE / STORAGE 3/8" = 1'-0"



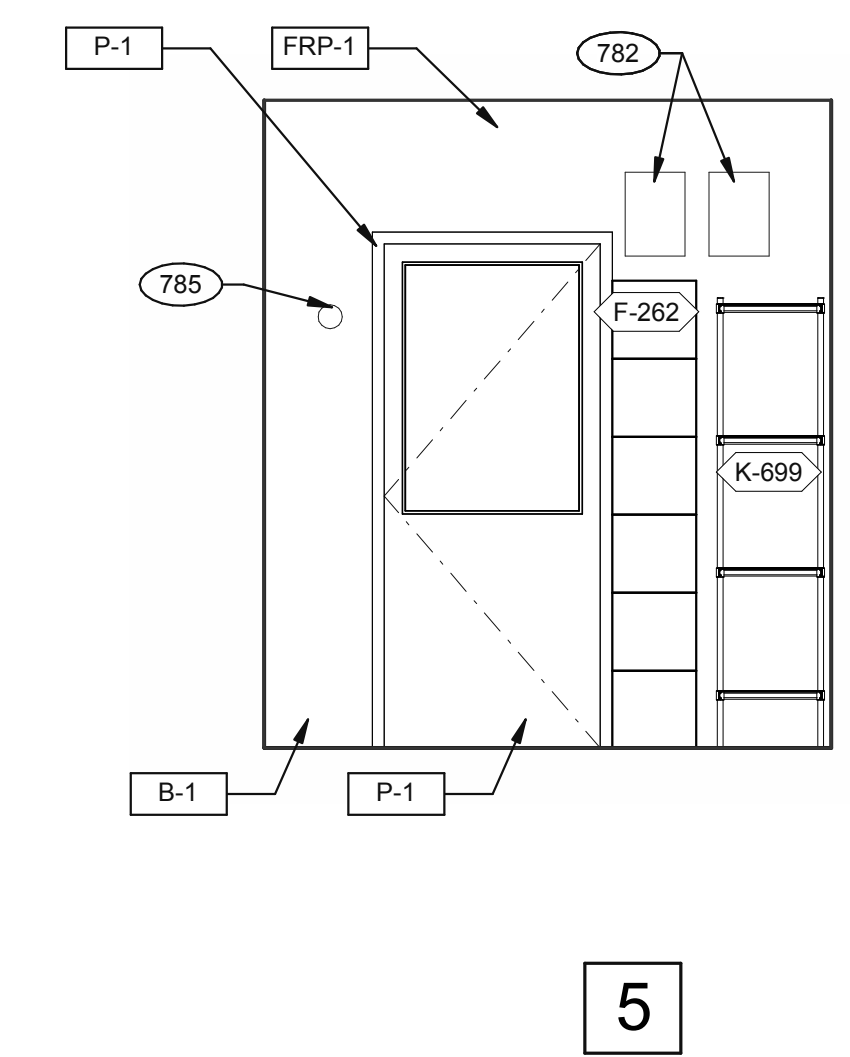
A - ROOF LADDER VIEW



ROOF ACCES PASSAGEWAY 3/8" = 1'-0"



P-362A FLEX I-LINE, L-R N.T.S.



EMPLOYEE / STORAGE 3/8" = 1'-0"

DATE	REMARKS
05.06.22	Issued for Permit

CONTRACT DATE: 10.06.21
BUILDING TYPE: END, MED20
PLAN VERSION: MARCH 2021
BRAND DESIGNER: WANCHO
SITE NUMBER: 0
STORE NUMBER: 0
PA/PM: AB
DRAWN BY.: RS
JOB NO.: 2020188.06

TACO BELL
3039 Dixie Highway
Edgewood, KY 41017

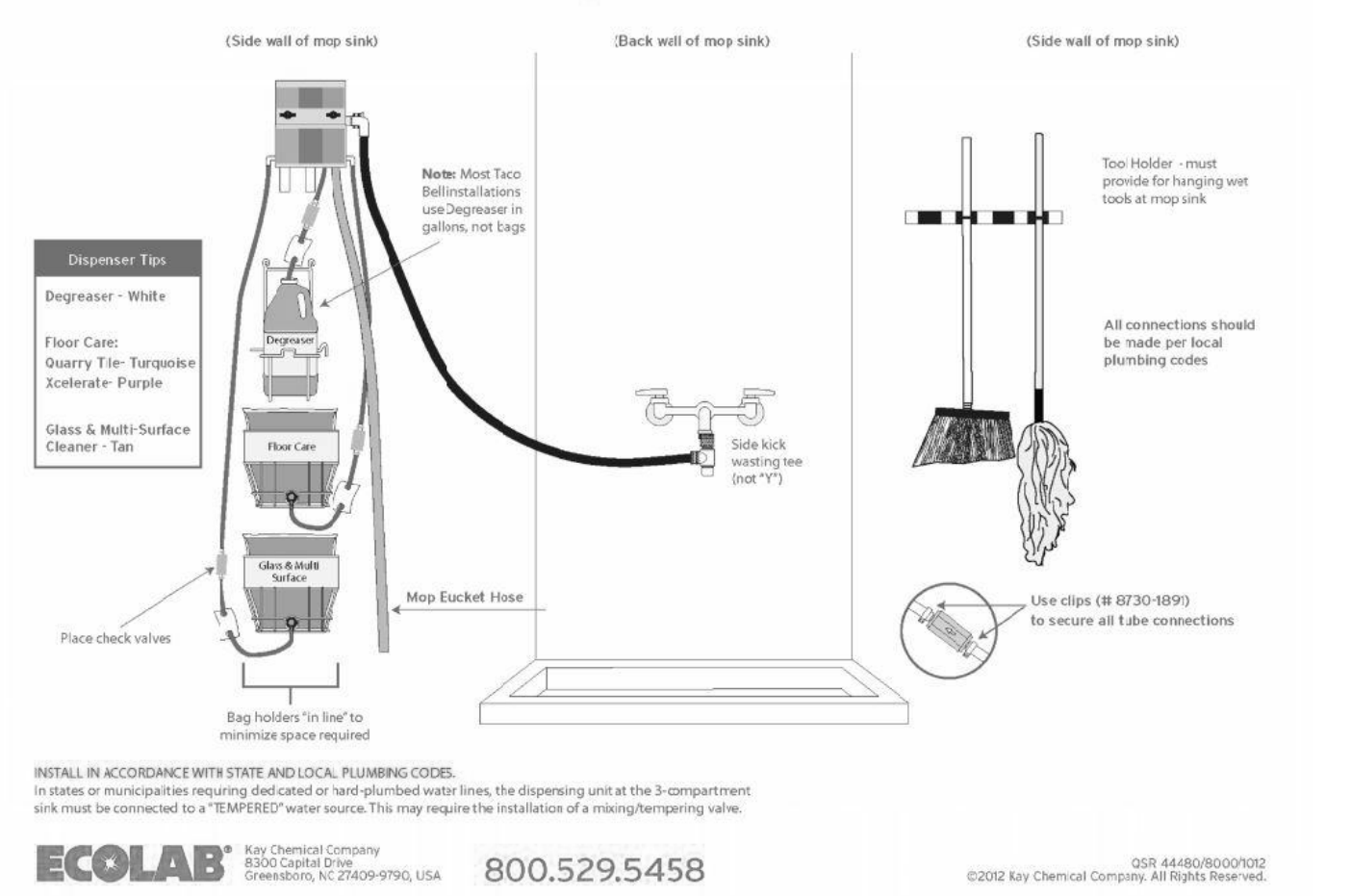


**ENDEAVOR 2.0
INTERIOR
ELEVATIONS
KITCHEN**

A8.3

PLOT DATE: 5/5/2022 11:12:32 AM

Taco Bell Mop Sink Installation



INSTALL IN ACCORDANCE WITH STATE AND LOCAL PLUMBING CODES.
In states or municipalities requiring dedicated or hard plumbed water lines, the dispensing unit at the 3-compartment sink must be connected to a "TEMPERED" water source. This may require the installation of a mixing/tempering valve.
ECOLAB Key Chemical Company
8300 Capital Drive
Greensboro, NC 27409-9790, USA 800.529.5458
©2002 Key Chemical Company. All Rights Reserved.

MOP SINK INSTALLATION

782 FAN MOTOR STARTERS, SURFACE MOUNTED, TYP. OF 2.
785 TEMPERATURE SENSOR. SEE MECHANICAL DRAWINGS.

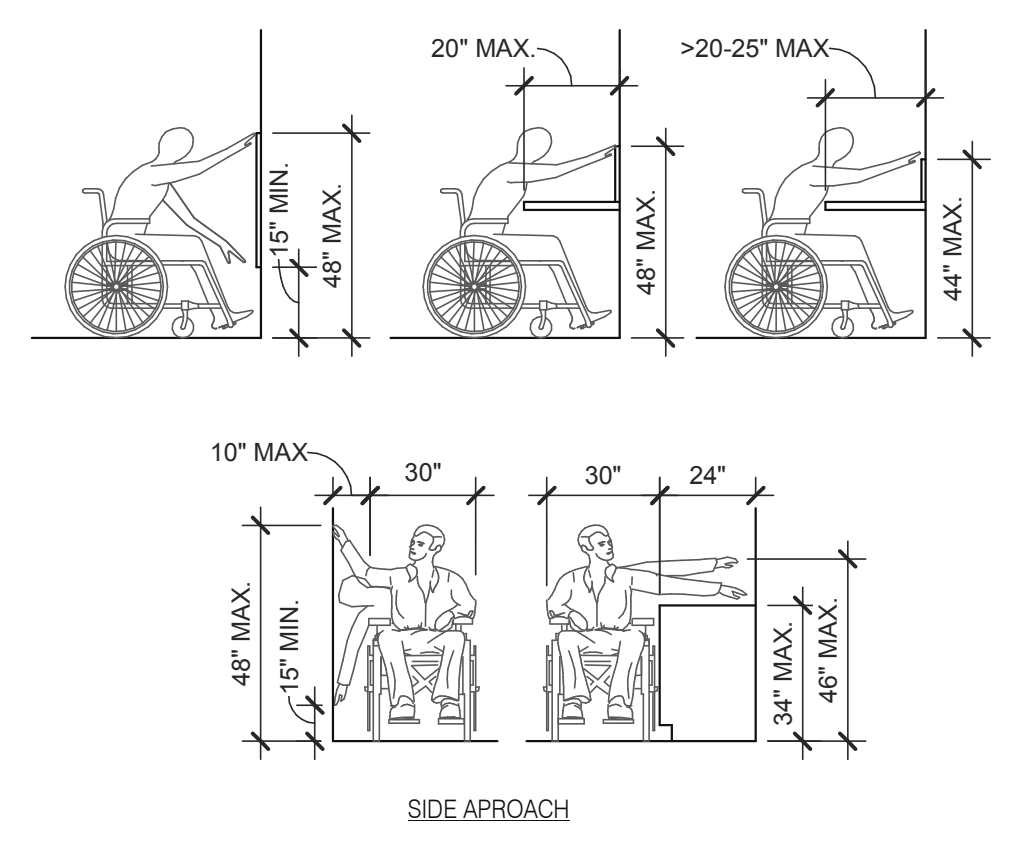
KEYNOTE



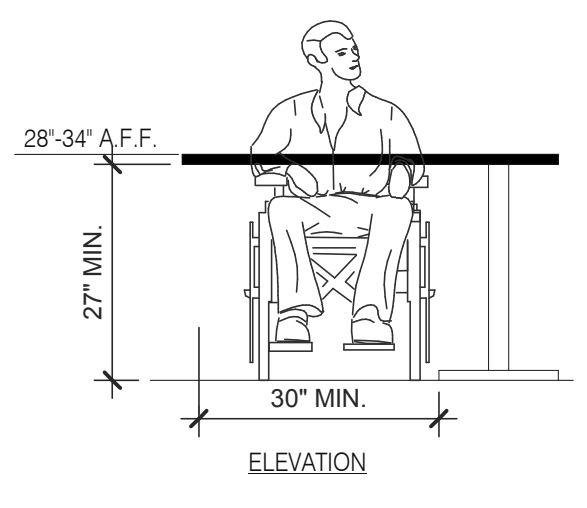
520 S. MAIN STREET, SUIT 2531
AKRON, OH 44311
330.572.2100 FAX: 330.572.2102

TOTAL SEATS	ACCESSIBLE SEATS
1 - 20	1
21 - 40	2
41 - 60	3
61 - 80	4
81 - 100	5
101 - 120	6
121 - 140	7

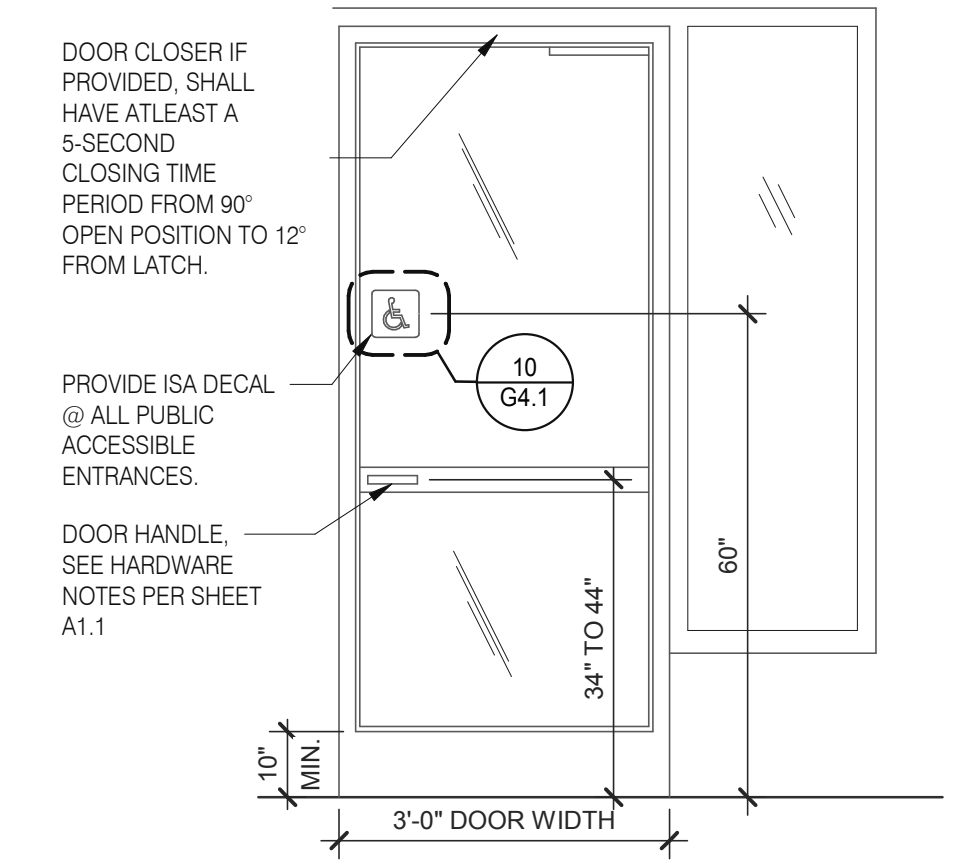
NUMBER OF ACCESSIBLE SEATS



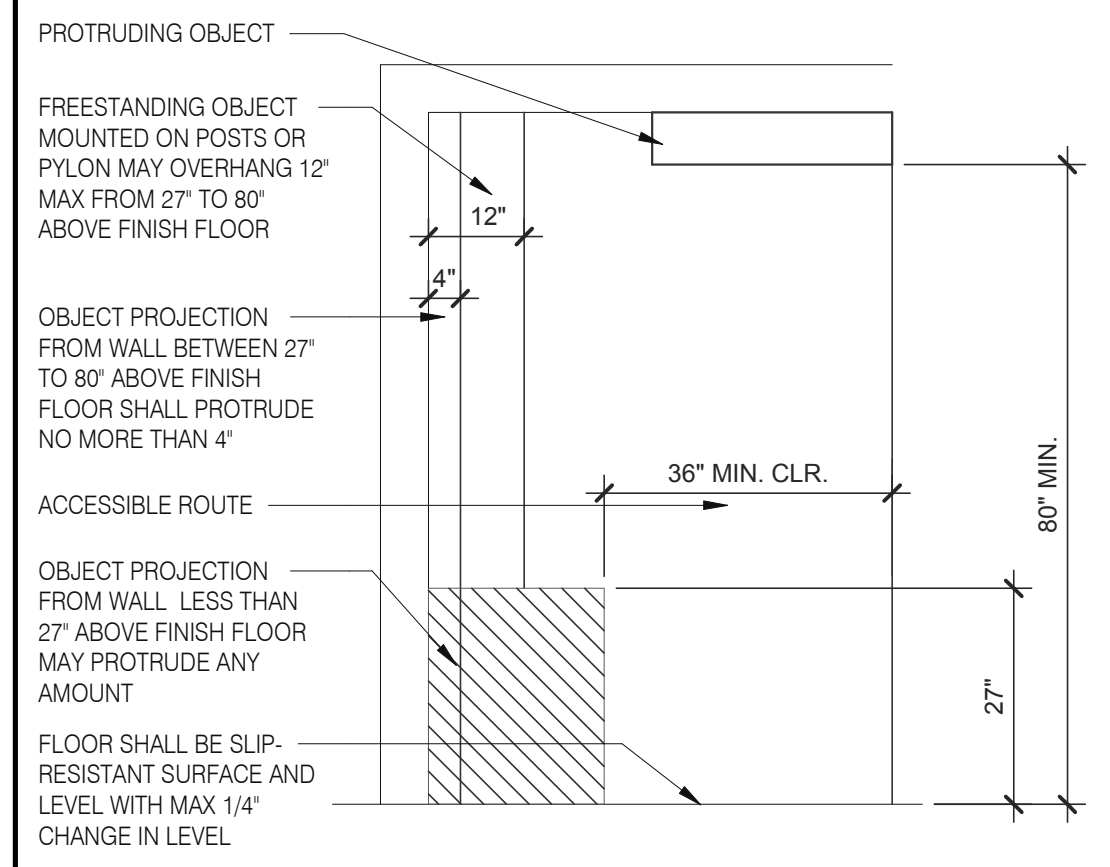
REACH RANGES 1/4" = 1'-0" 13



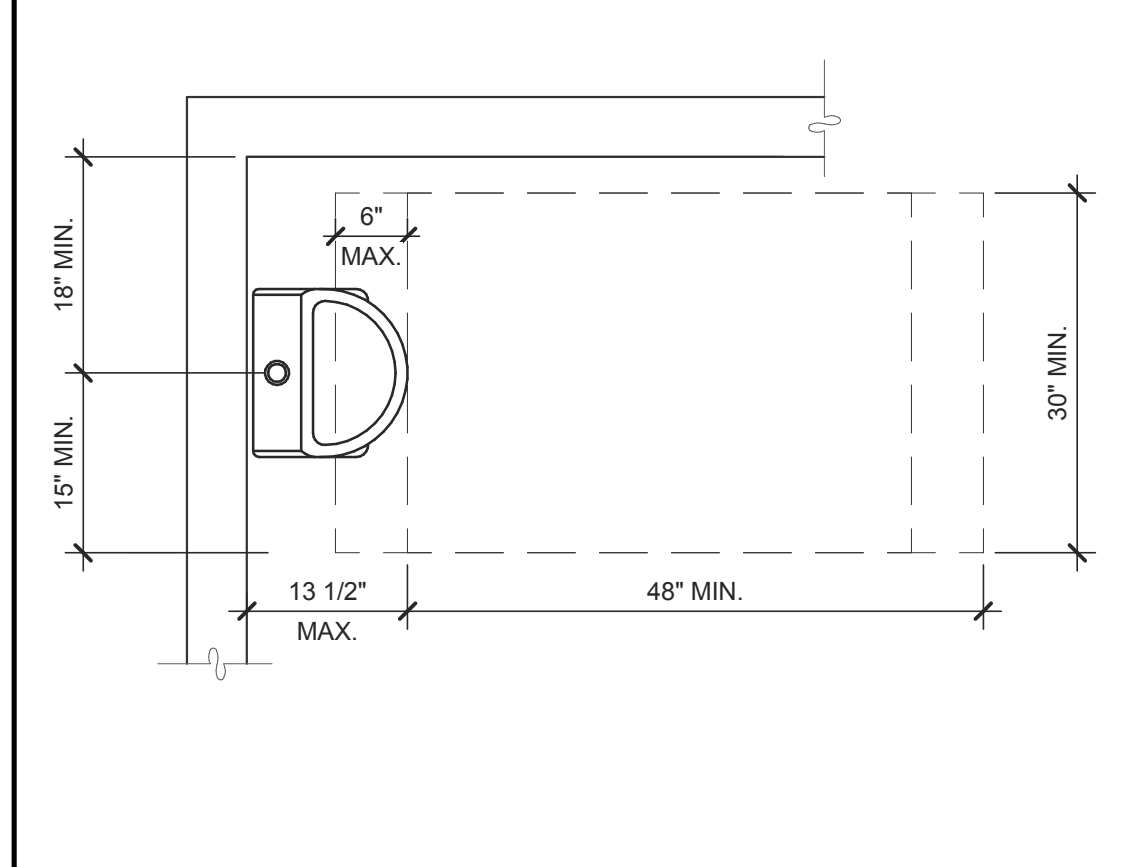
SEATING AND TABLES 1/2" = 1'-0" 18



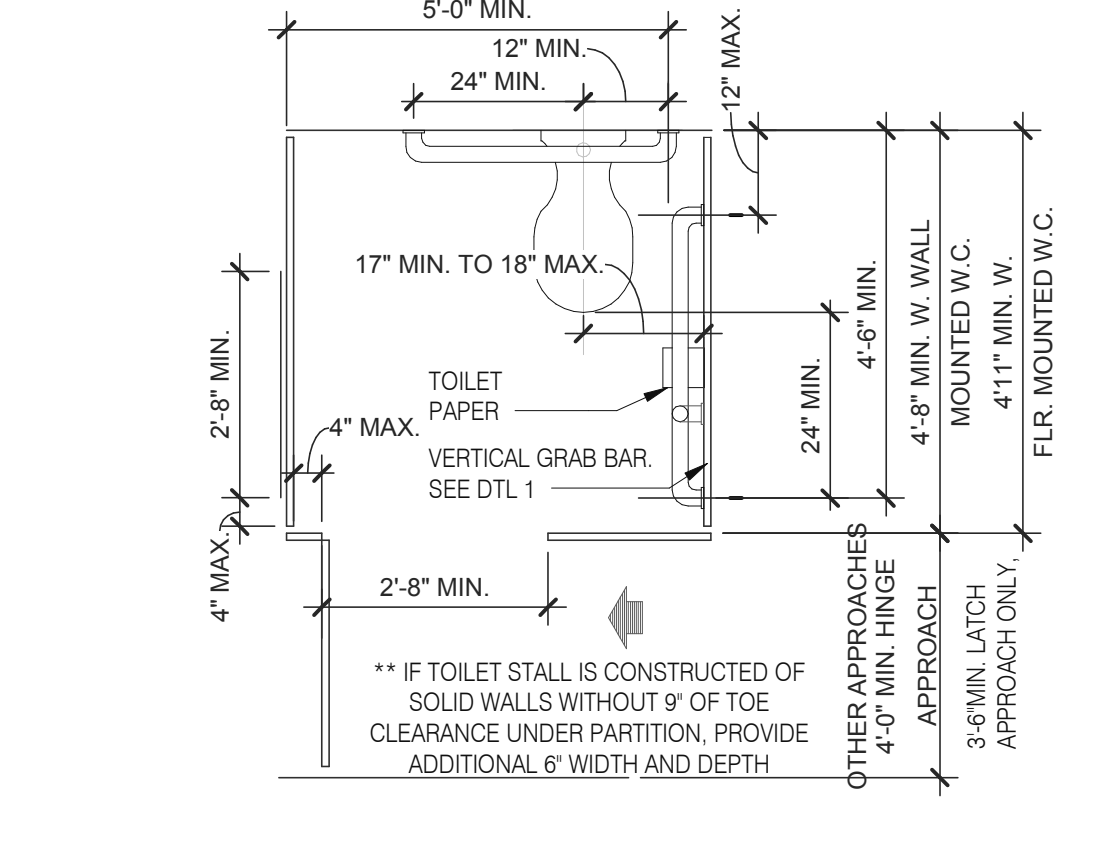
TYP. ENTRANCE / EXIT DOOR 3/8" = 1'-0" 14



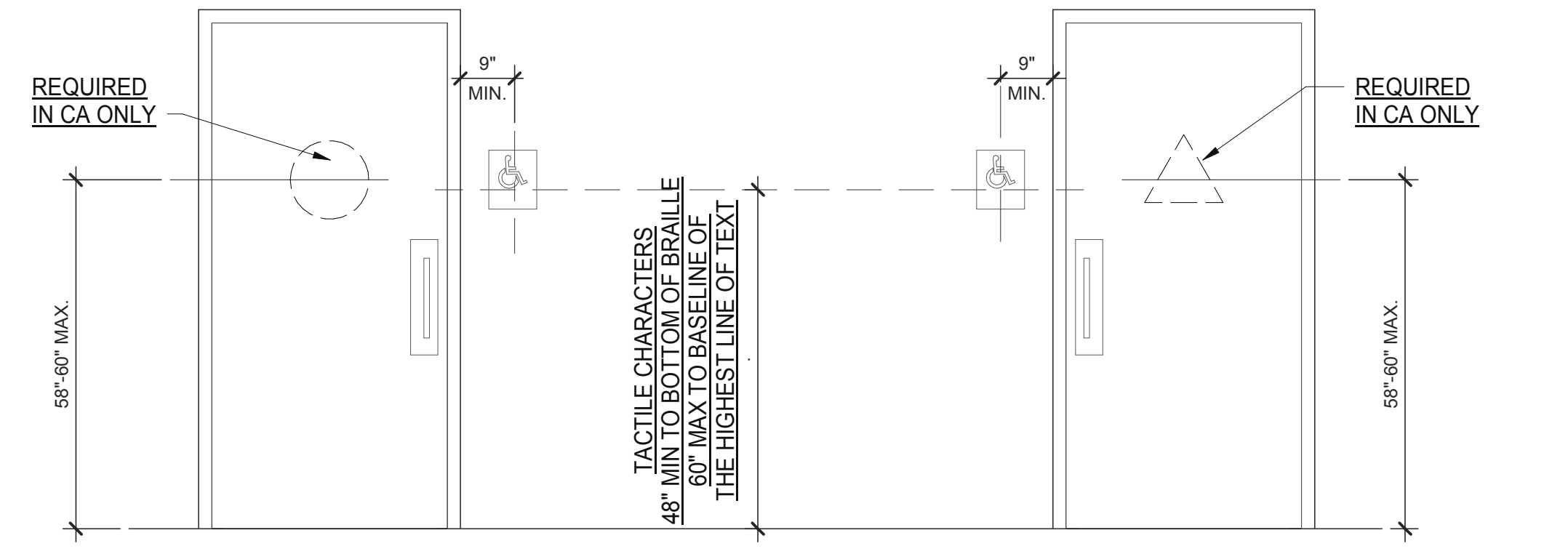
INT. ACCESS. ROUTE CLEARANCES 1/2" = 1'-0" 10



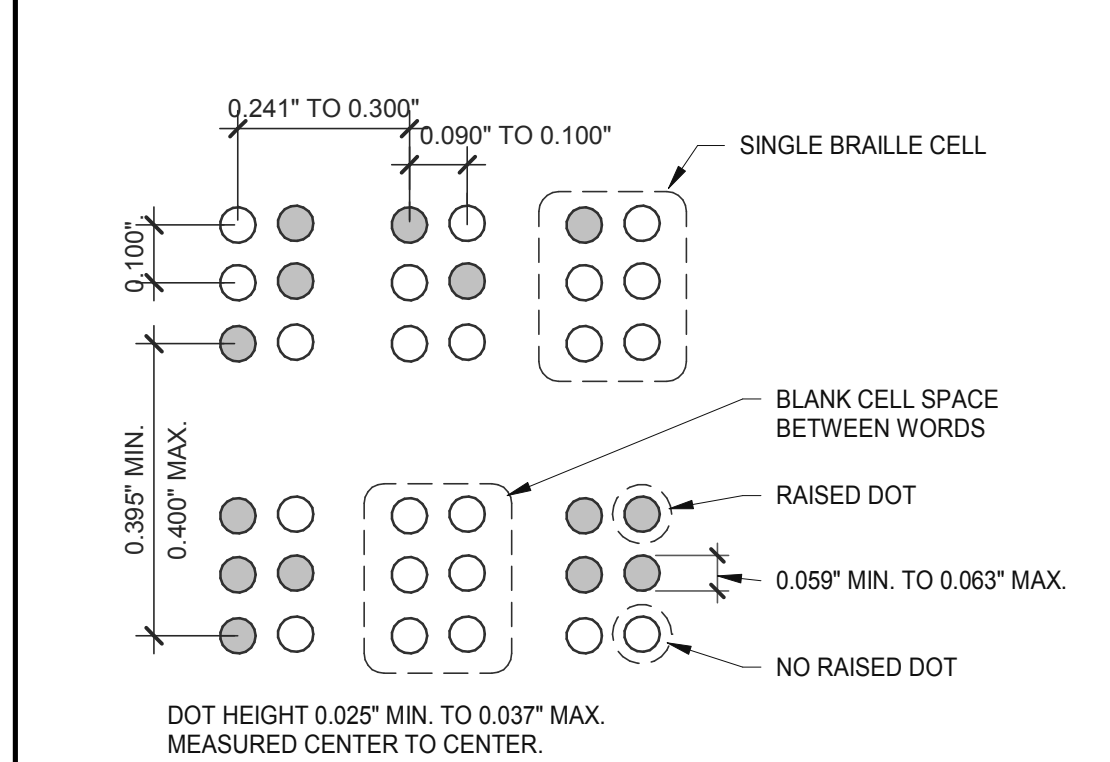
ACCESSIBLE URINAL 3/4" = 1'-0" 6



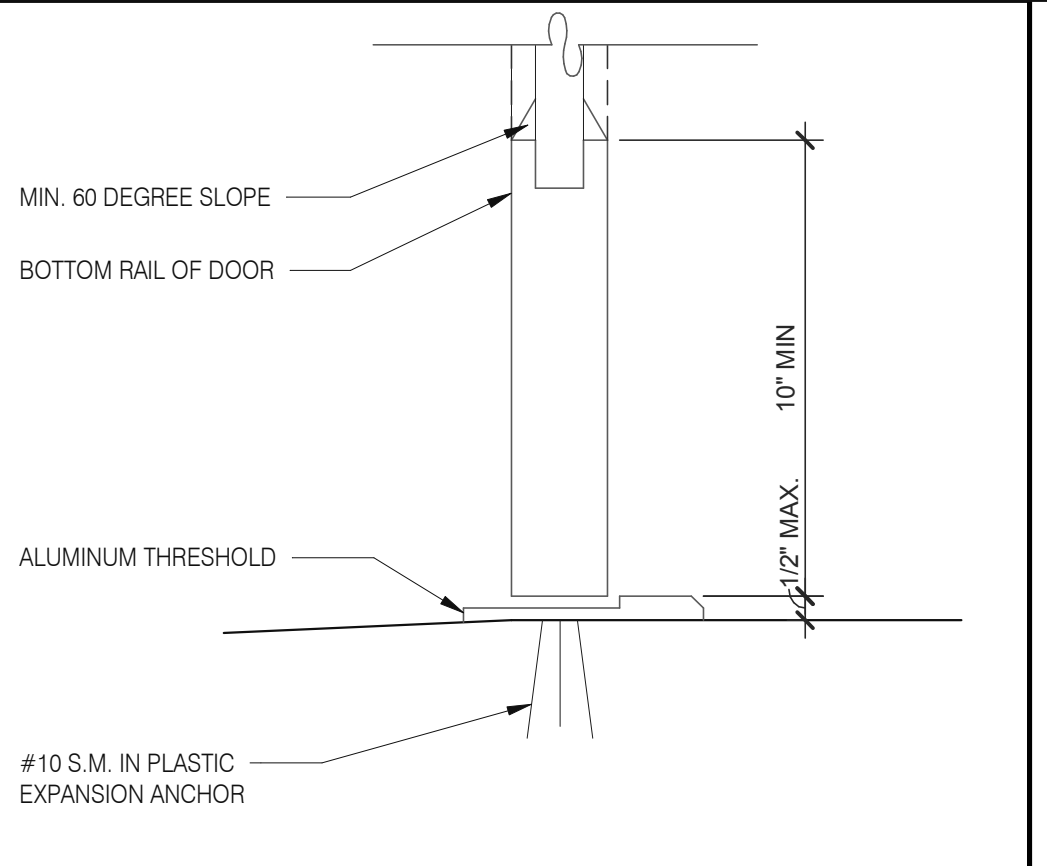
STANDARD TOILET STALL 1/2" = 1'-0" 2



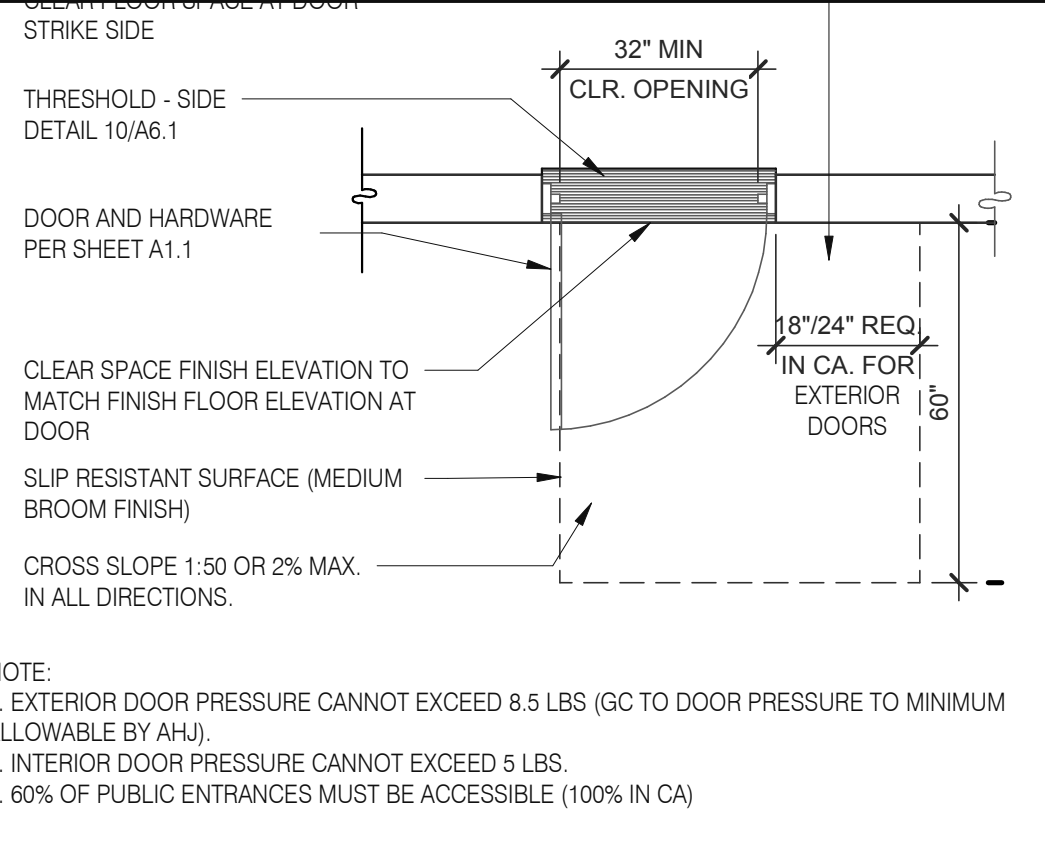
ACCESSIBLE RESTROOM DOORS 1/2" = 1'-0" 15



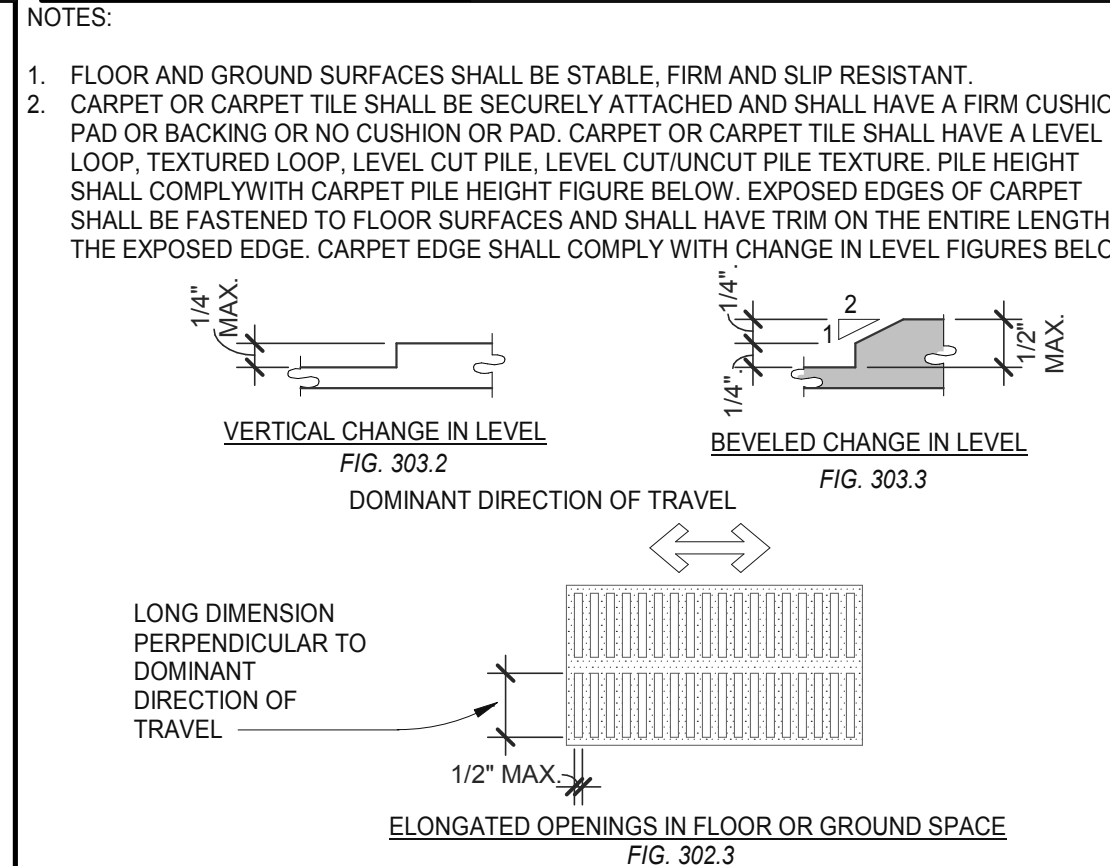
BRAILLE MEASUREMENT 1/4" = 1'-0" 11



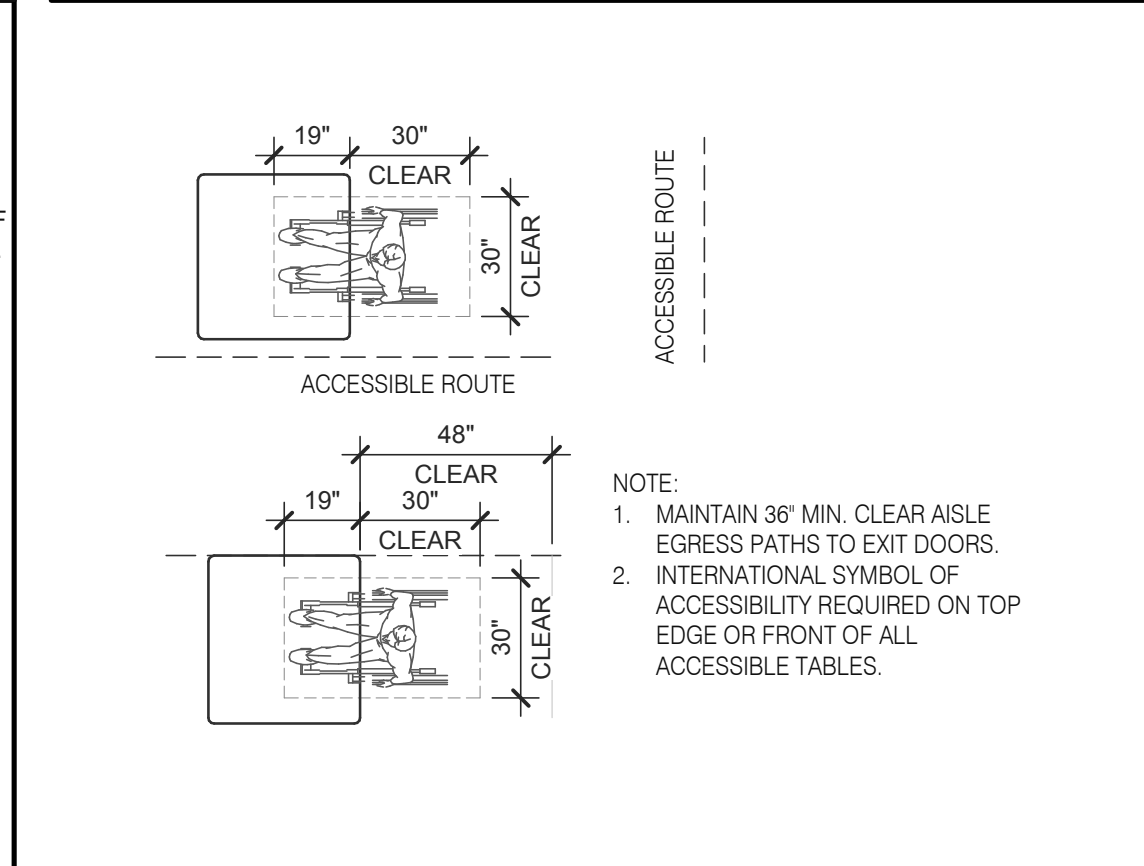
BOTTOM RAIL (EXTERIOR DOOR) 3" = 1'-0" 20



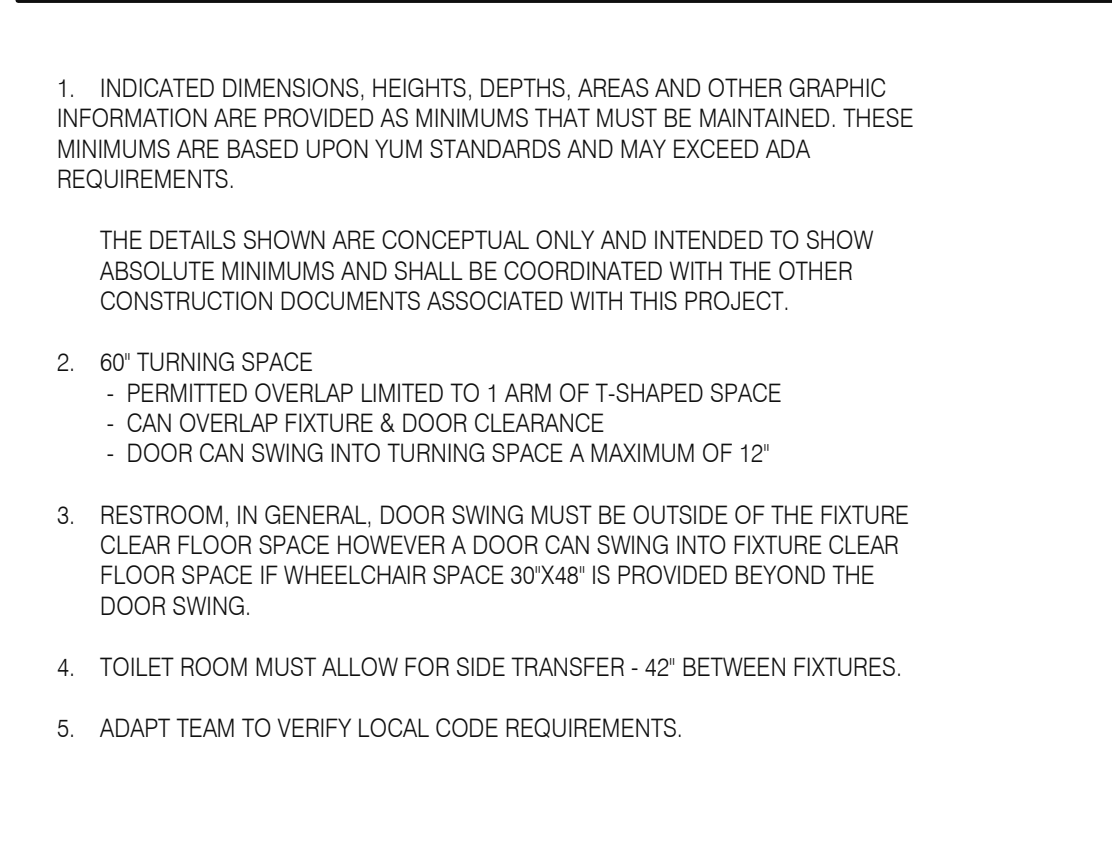
EXTERIOR DOOR REQUIREMENTS 3/8" = 1'-0" 16



CHANGES IN LEVEL 1/2" = 1'-0" 12



DINING SEATING CLEARANCES N.T.S. 8



ACCESSIBLE LAVATORY 3/4" = 1'-0" 3

DATE	REMARKS
05.06.22	Issued for Permit

CONTRACT DATE: 10.06.21
BUILDING TYPE: END. MED20
PLAN VERSION: MARCH 2021
BRAND DESIGNER: WANCHO
SITE NUMBER: 0
STORE NUMBER: 0
PA/PM: AB
DRAWN BY: RS
JOB NO.: 2020188.06

TACO BELL
3039 Dixie Highway
Edgewood, KY 41017



ENDEAVOR 2.0
ACCESSIBILITY
REQUIREMENTS

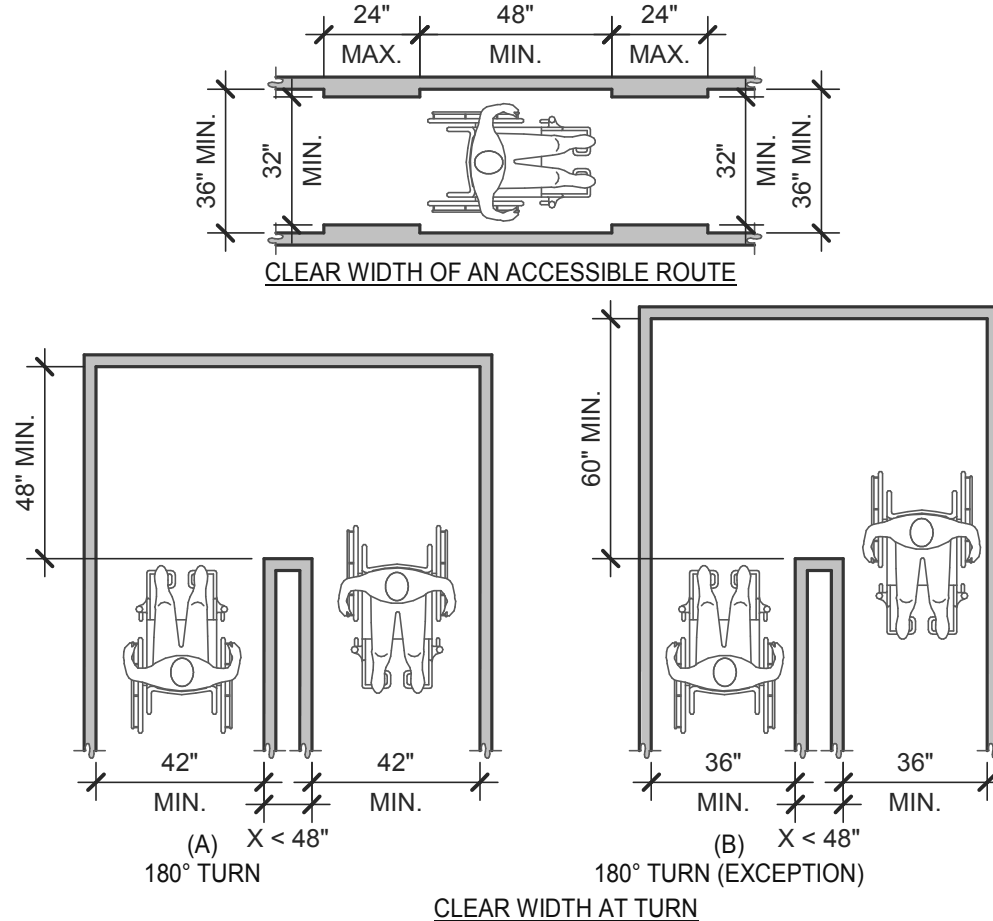
ADA1.0

PLOT DATE: 5/5/2022 11:12:38 AM

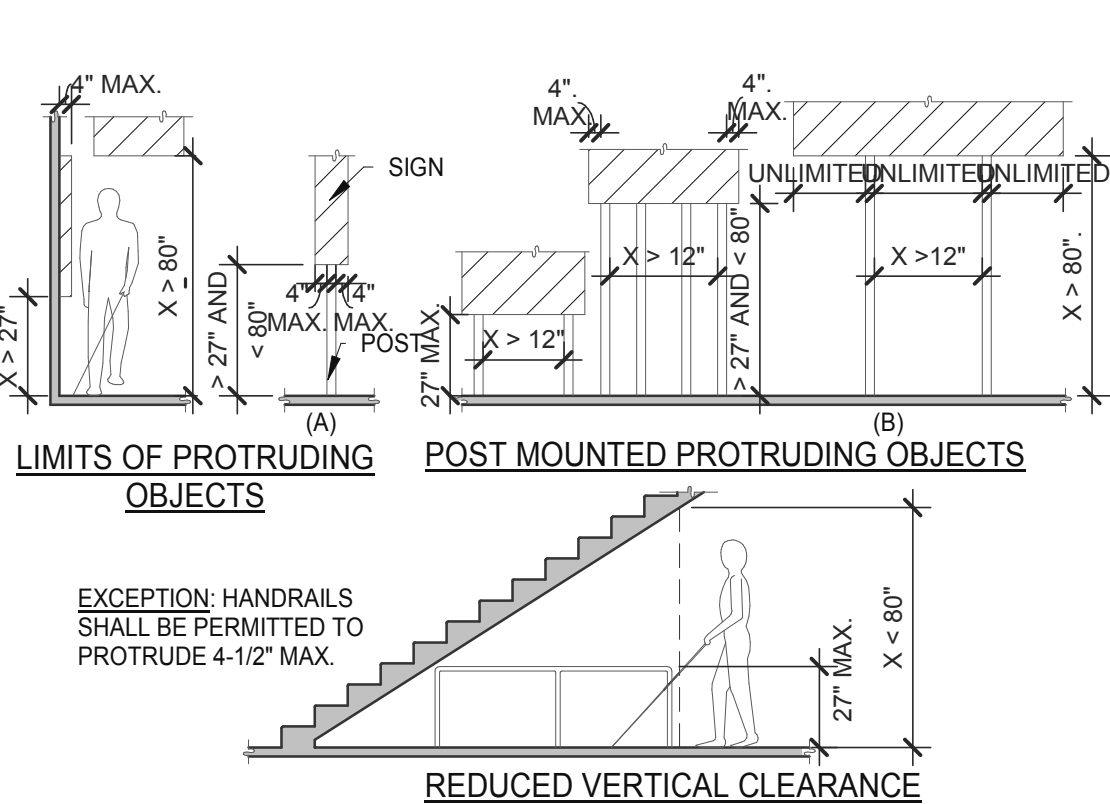
C:\Users\miller\Documents\ARCH_L\BMO_Empire_KY\Mixed_Media\GPD\Drawings

ACCESSIBILITY NOTES

- "THE ACCESSIBILITY GUIDELINES AND CODES" MENTIONED BELOW REFER TO ALL APPLICABLE LOCAL/STATE BUILDING CODES REFERENCED ON THE PROJECT DATA SHEET OF THIS SET IN ADDITION TO THE FEDERAL REQUIREMENTS OF THE ADA (THE AMERICANS WITH DISABILITIES ACT).
- DETAILS ON THIS SHEET ARE FOR REFERENCE ONLY. REFER TO THE ACCESSIBILITY GUIDELINES AND CODES FOR ALL ACCESSIBILITY REQUIREMENTS.
- THE GENERAL CONTRACTOR SHALL BECOME FAMILIAR WITH THE ACCESSIBILITY GUIDELINES AND CODES.
- ANY DISCREPANCY CONTAINED HEREIN DOES NOT RELIEVE THE GENERAL CONTRACTOR OR OWNER FROM COMPLYING WITH THE ACCESSIBILITY GUIDELINES AND CODES.

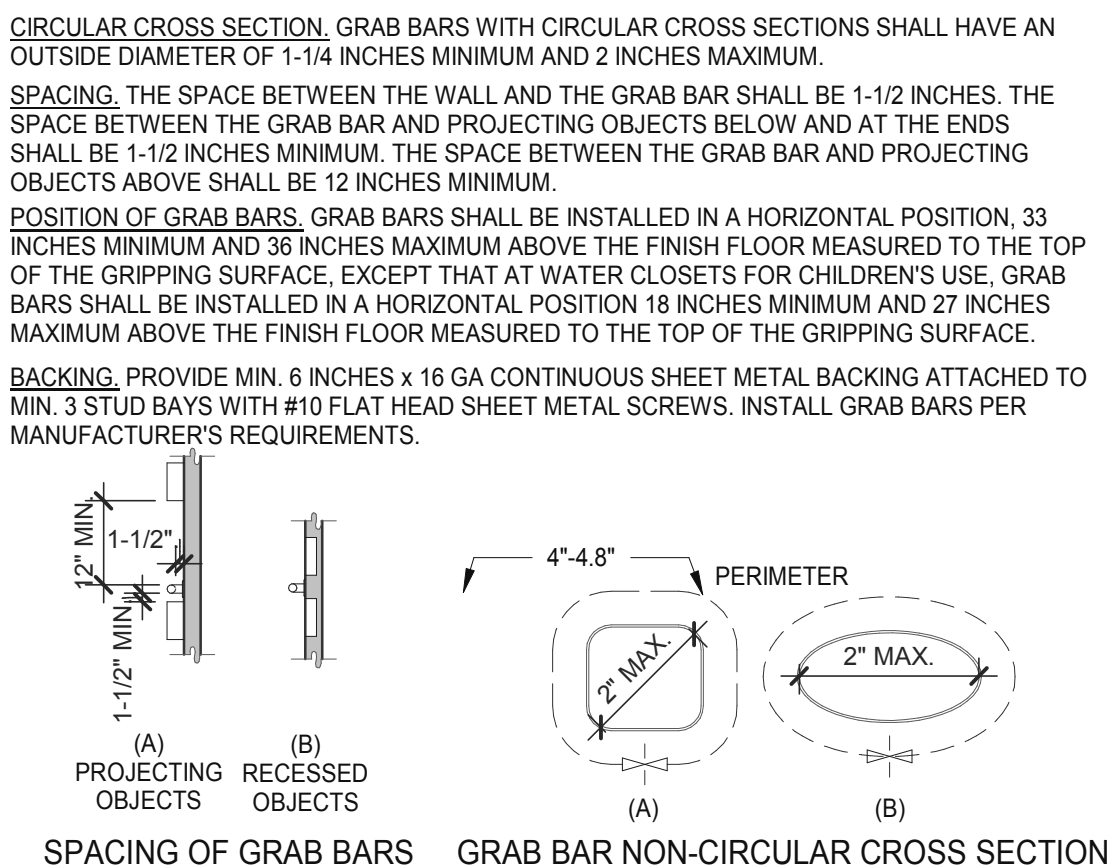


CLEAR WIDTH 1/4" = 1'-0" **17**

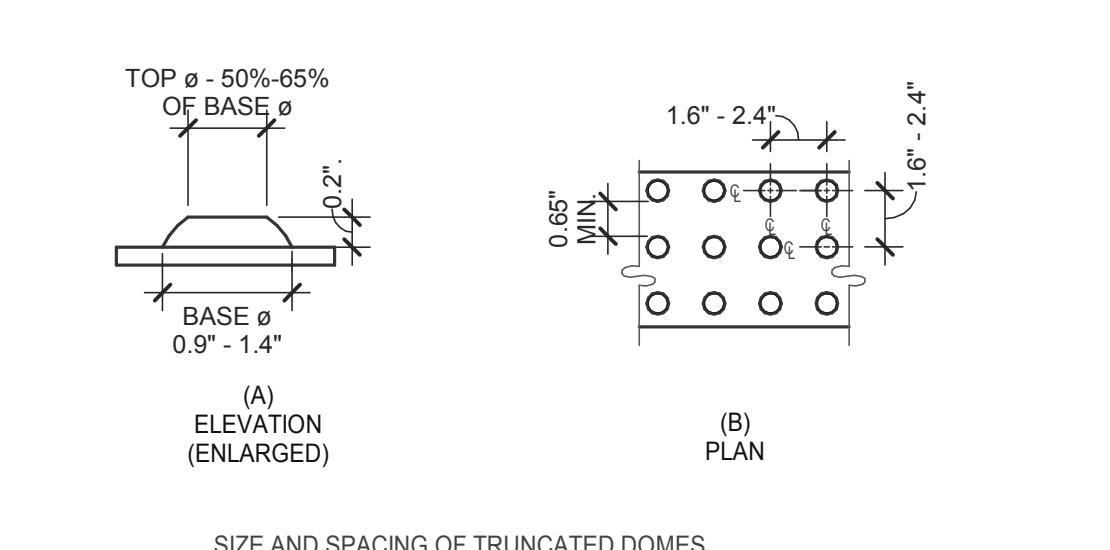


PROTRUDING OBJECTS 3/16" = 1'-0" **13**

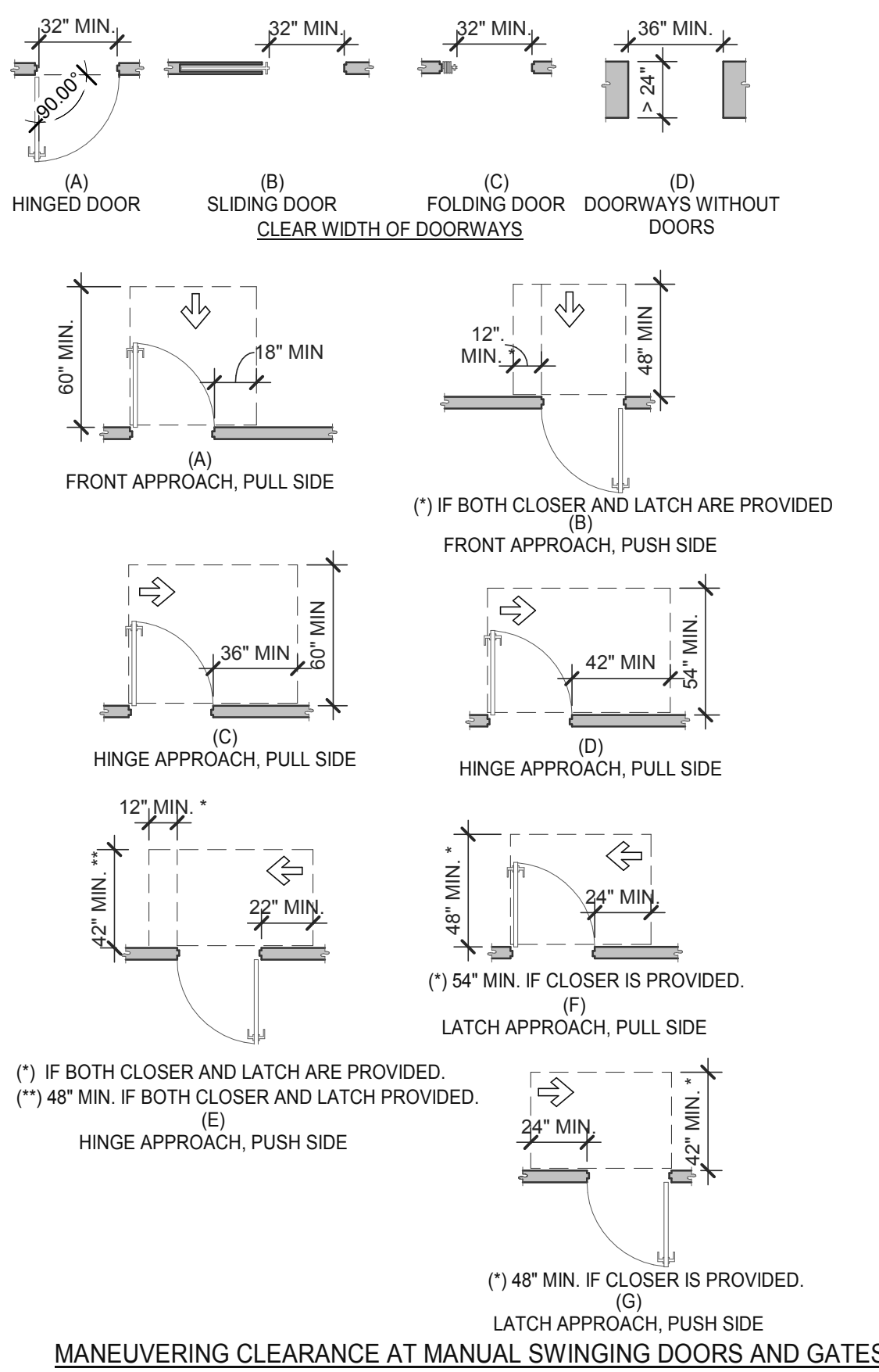
NOTES:
 1. FLOOR OR GROUND SURFACE WITHIN REQUIRED MANEUVERING CLEARANCES SHALL COMPLY WITH [FLOOR OR GROUND SURFACES & CHANGES IN LEVEL] DETAIL AND SHALL HAVE A SLOPE NOT STEEPER THAN 1:48. CHANGES IN LEVEL ARE NOT PERMITTED AT DOOR LANDINGS.
 2. THRESHOLDS, IF PROVIDED AT DOORWAYS SHALL BE 1/2" HIGH MAX. RAISED THRESHOLDS AND CHANGES IN LEVEL AT DOORWAYS SHALL COMPLY WITH [FLOOR OR GROUND SURFACES & CHANGES IN LEVEL] DETAIL.
 3. HANDLES, PULLS, LATCHES, LOCKS AND OTHER OPERABLE PARTS ON DOORS AND GATES SHALL BE OPERABLE WITH ONE HAND AND SHALL NOT REQUIRE TIGHT GRASPING, PINCHING OR TWISTING OR THE WRIST.
 4. THE FORCE REQUIRED TO ACTIVATE OPERABLE PARTS SHALL BE 5 LBS (22.5 N) MAX.
 5. OPERABLE PARTS OF DOOR HARDWARE SHALL BE 34" MIN. AND 48" MAX. ABOVE THE FINISH FLOOR OR GROUND.
 6. WHEN SLIDING DOORS ARE IN THE FULLY OPEN POSITION, OPERATING HARDWARE SHALL BE EXPOSED AND USABLE FROM BOTH SIDES.
 7. DOOR AND GATE CLOSERS SHALL BE ADJUSTED SO THAT FROM AN OPEN POSITION OF 90° THE TIME REQUIRED TO MOVE THE DOOR TO A POSITION OF 12° FROM THE LATCH IS 5 SECONDS MIN.
 8. DOOR AND GATE SPRING HINGES SHALL BE ADJUSTED SO THAT FROM THE OPEN POSITION OF 70° THE DOOR OR GATE SHALL MOVE TO THE CLOSED POSITION IN 1.5 SECONDS MIN.
 9. THE FORCE FOR PUSHING OR PULLING OPEN A DOOR OR GATE SHALL BE AS FOLLOWS:
 9.1. INTERIOR HINGED DOORS AND GATES: 5 LBS (22.5 N) MAX.
 9.2. SLIDING OR FOLDING DOORS: 5 LBS (22.5 N) MAX.
 9.3. REQUIRED FIRE DOORS: THE MINIMUM OPENING FORCE ALLOWABLE BY THE APPROPRIATE ADMINISTRATIVE AUTHORITY, NOT TO EXCEED 15 LBS (66.7N).
 9.4. EXTERIOR HINGED DOORS: 5 LBS (22.5 N) MAX.
 10. SWINGING DOOR AND GATE SURFACES WITHIN 10" OF THE FINISH FLOOR OR GROUND MEASURED VERTICALLY SHALL HAVE A SMOOTH SURFACE ON THE PUSH SIDE EXTENDING THE FULL WIDTH OF THE DOOR OR GATE. PARTS CREATING HORIZONTAL OR VERTICAL JOINTS IN THESE SURFACE SHALL BE WITHIN 1/16" OF THE SAME PLANE AS THE OTHER AND BE FREE OF SHARP OR ABRASIVE EDGES. CAVITIES CREATED BY ADDED KICK PLATES SHALL BE CAPPED.
 11. WHERE AUTOMATIC AND POWER-ASSISTED DOORS AND GATES WITHOUT STANDBY POWER ARE PART OF A MEANS OF EGRESS THE CLEAR BREAK OUT OPENING AT SWINGING OR SLIDING DOORS AND GATES SHALL BE 32" MIN. WHEN OPERATED IN EMERGENCY MODE.



GRAB BARS 3/16" = 1'-0" **5**



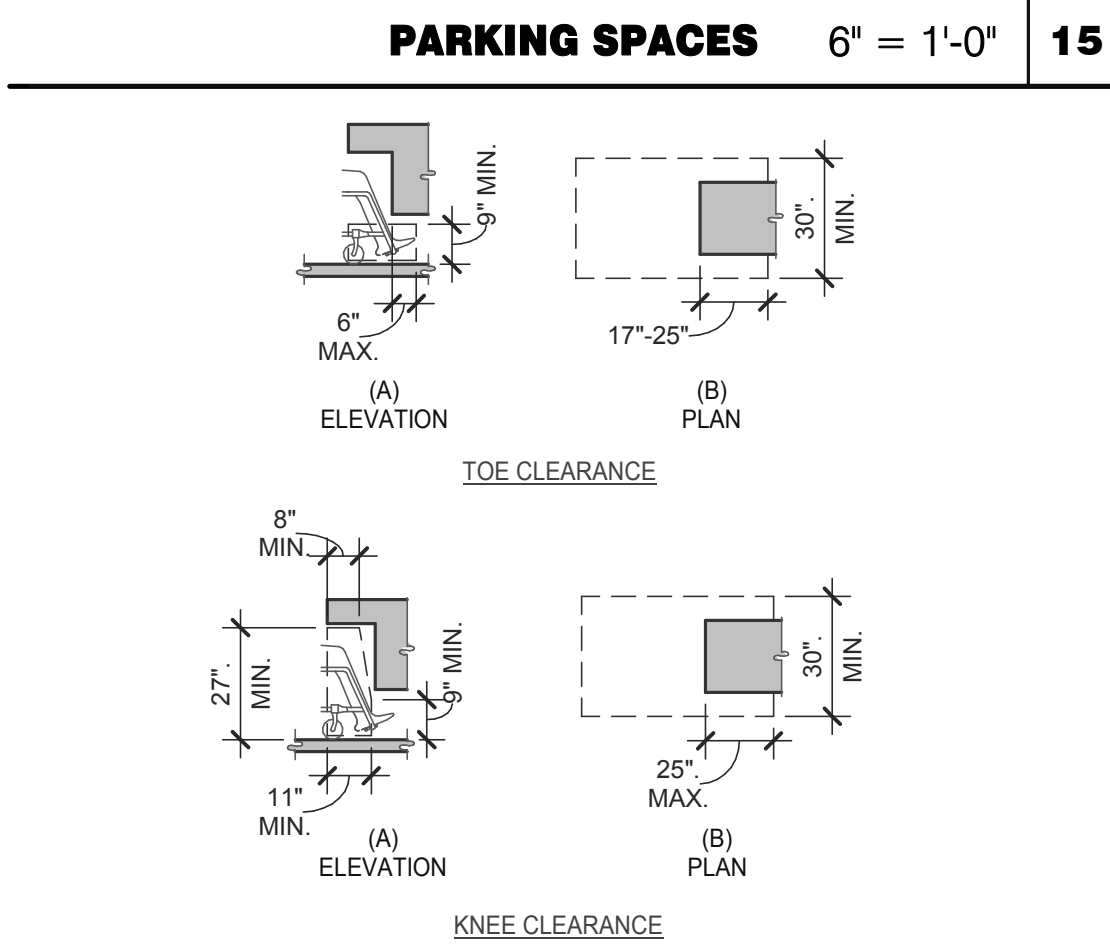
DETECTABLE WARNINGS 3" = 1'-0" **14**



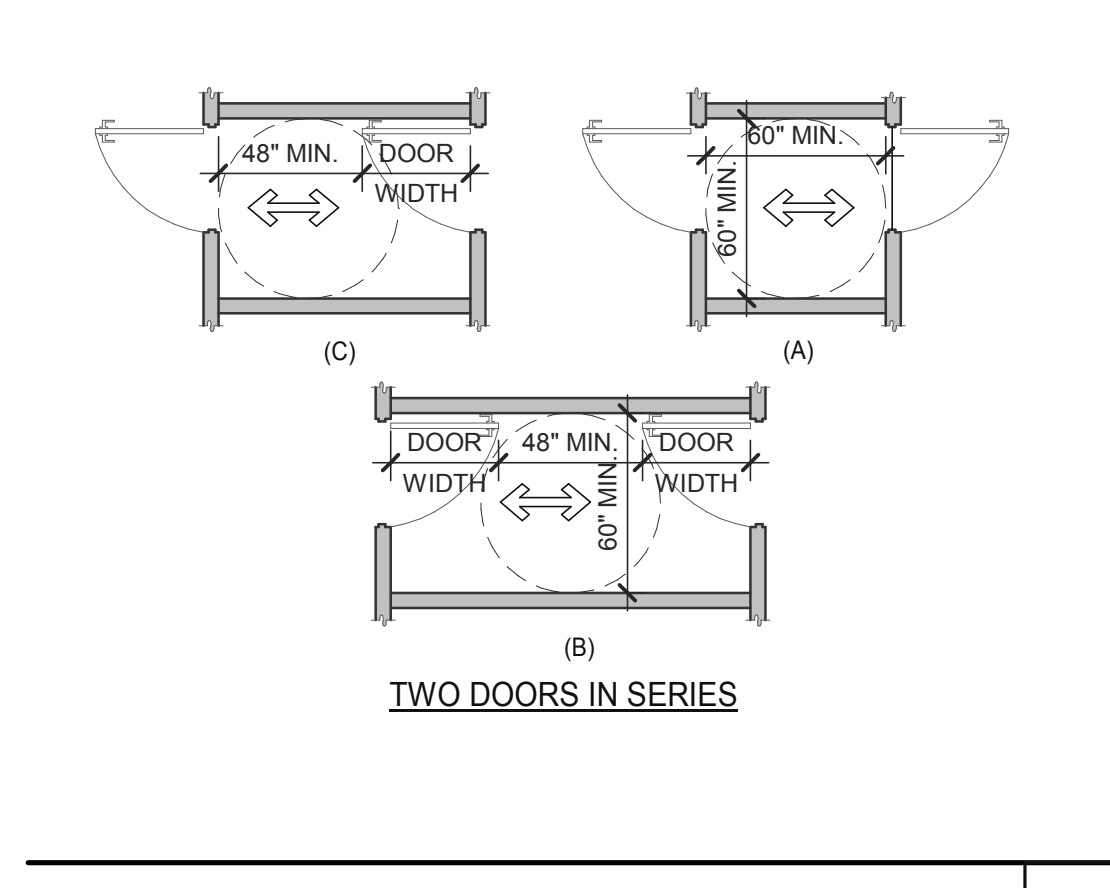
DOORS, DOORWAYS & GATES 3/16" = 1'-0" **12**

PARKING SPACES

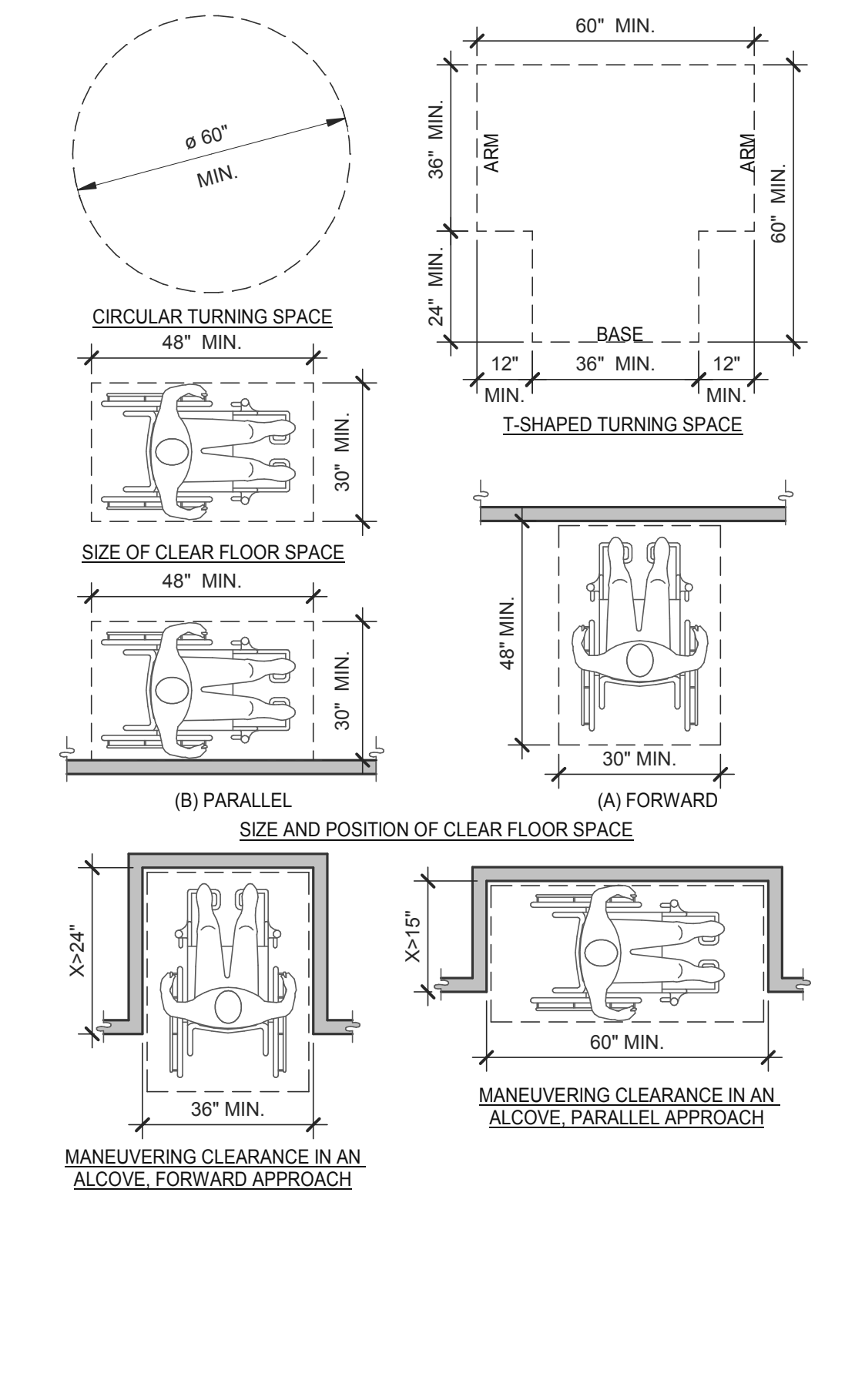
TOTAL NUMBER OF PARKING SPACES PROVIDED IN PARKING FACILITY	MINIMUM NUMBER OF REQUIRED ACCESSIBLE PARKING SPACES
1 TO 25	1
26 TO 50	2
51 TO 75	3
76 TO 100	4
101 TO 150	5
151 TO 200	6
201 TO 300	7
301 TO 400	8
401 TO 500	9
501 TO 1000	2 PERCENT OF TOTAL
1001 AND OVER	20, PLUS 1 FOR EACH 100, OR FRACTION THEREOF, OVER 1000



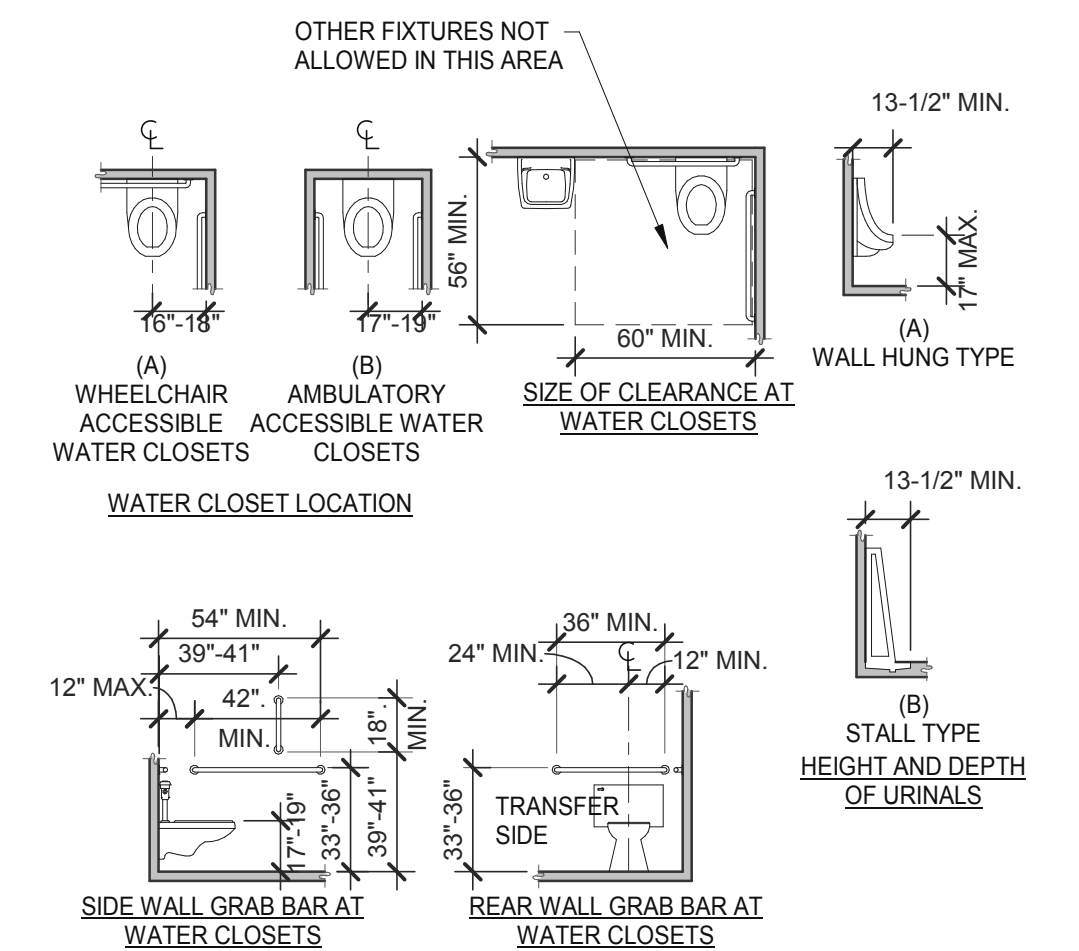
KNEE AND TOE CLEARANCE 1/4" = 1'-0" **16**



DOORS, DOORWAYS & GATES 3/16" = 1'-0" **6**



CLEAR FLOOR OR GROUND SPACE 3/8" = 1'-0" **8**



WC AND TOILET COMPARTMENTS 3/16" = 1'-0" **4**

DATE	REMARKS
05.06.22	Issued for Permit

CONTRACT DATE: 10.06.21
 BUILDING TYPE: END, MED20
 PLAN VERSION: MARCH 2021
 BRAND DESIGNER: WANCHO
 SITE NUMBER: 0
 STORE NUMBER: 0
 PA/PM: AB
 DRAWN BY: RS
 JOB NO.: 2020188.06

TACO BELL
 3039 Dixie Highway
 Edgewood, KY 41017



**ENDEAVOR 2.0
 ACCESSIBILITY
 REQUIREMENTS**

ADA1.1



520 S. MAIN STREET, SUIT 2531
AKRON, OH 44311
330.572.2100 FAX: 330.572.2102

GENERAL:

- LOCATE, CUT AND FRAME ROOF OPENINGS AS SHOWN FOR ALL HVAC EQUIPMENT AND EXHAUST FANS.
- IT IS VERY IMPORTANT THAT ACCURATE MEASUREMENTS ARE USED WHEN LOCATING EXHAUST FAN ROOF OPENINGS TO ENSURE THAT NO ADDITIONAL OFF-SETS ARE REQUIRED IN THE EXHAUST DUCTWORK. COORDINATE ROOF OPENINGS WITH KITCHEN EQUIPMENT.
- PROVIDE FRAMING REQUIRED FOR DIFFUSER/GRILLE INSTALLATION IN HARD CEILING.

HVAC:

- INSTALLATION SHALL CONFORM TO MECHANICAL AND ENERGY CODES FOR NEW NONRESIDENTIAL BUILDINGS.
- ALL WORK AND MATERIALS SHALL COMPLY WITH GOVERNING CODES, SAFETY ORDERS AND REGULATIONS.
- OBTAIN AND PAY FOR ALL NECESSARY PERMITS, FEES AND INSPECTIONS REQUIRED BY GOVERNING AUTHORITIES.
- E.C. SHALL PROVIDE CONDUIT FOR LINE AND LOW VOLTAGE WIRING, LINE VOLTAGE WIRING SWITCHES, AND FINAL CONNECTIONS. REFER TO SHEETS E3.0 - ELECTRICAL POWER PLAN, SHEET E3.2-ELECTRICAL POWER ROOF PLAN, E6.0 - ELECTRICAL DETAILS - TBCCB, E6.1 - ELECTRICAL DETAILS - TBCCB, E7.0 - ELECTRICAL DETAILS, E7.1 - ELECTRICAL DETAILS.
- PROVIDE 24V CONTROL WIRING AND FINAL CONNECTIONS. EQUIPMENT THAT IS SUBSTITUTED SHALL FIT IN SPACE PROVIDED WITH ADEQUATE ROOM FOR SERVICING, INCLUDING SUBSTITUTE EQUIPMENT NAMED IN SPECIFICATIONS. SUBMIT A 1/4" SCALE DRAWING OF ALL EQUIPMENT SUBSTITUTED FOR APPROVAL PRIOR TO INSTALLATION, INCLUDING, BUT NOT LIMITED TO, STRUCTURAL AND ARCHITECTURAL IMPACT, CLEARANCE REQUIREMENTS AND UTILITY REQUIREMENTS. REFER TO ELECTRICAL DRAWINGS SHEETS E6.1 AND E7.1 FOR ADDITIONAL LOW VOLTAGE WIRING AND CONNECTIONS.
- PROVIDE ALL REFRIGERANT LINES FROM ICE MACHINE TO CONDENSER ON ROOF AND CHARGE LINES PER EQUIPMENT MANUFACTURER'S RECOMMENDATIONS.
- HVAC UNITS SHALL BE MOUNTED LEVEL ON ROOF CURBS.
- SUPPLY / RETURN DUCTWORK SHALL BE EXTERNALLY INSULATED. ALL RETURN AND SUPPLY DUCT RISERS SHALL BE LINED (NOT WRAPPED).
- SUPPLY / RETURN DUCTS SHALL BE RIGID (EXCEPT AS NOTED/INDICATED AS RIGID ON THE DUCT PLAN), WITH THE EXCEPTION OF THE LAST 5'-0", WHICH MAY UTILIZE FLEXIBLE DUCT. ALL EXHAUST DUCT SHALL BE RIGID. ROOFTOP UNITS SHALL BE ORDERED WITH FACTORY SUPPLIED AND INSTALLED RETURN SMOKE DETECTORS. WHEN REQUIRED BY MANUFACTURER, SAMPLE TUBE SHALL BE LOCATED PER FIELD INSTALLATION INSTRUCTIONS. DETECTOR SHALL DEACTIVATE ROOFTOP UNIT UPON SENSING SMOKE. INCLUDE SUPPLY SMOKE DETECTOR ONLY IF REQUIRED BY LOCAL CODE.
- HOOD EXHAUST DUCTS SHALL BE RIGID 16 GA MINIMUM, WELDED DUCT. GRIND ALL WELDS SMOOTH. PROVIDE 3M FIRE BARRIER DUCT WRAP FOR ALL HOOD EXHAUST DUCTS. PROVIDE TRANSITION AT TERMINATION OF TYPE 1 EXHAUST DUCT TO TOP OF FAN BASE. TRANSITION SHALL BE CENTERED AND HAVE MINIMUM OF 1" PER FOOT SLOPE.
- BRANCH DUCTS FEEDING INDIVIDUAL DIFFUSERS SHALL HAVE DAMPERS AT BRANCH FEEDER. DAMPER SHALL BE MINIMUM 26 GAUGE LOCATED IN DEDICATED SLEEVE WITH AXLE AND LOCKING QUADRANT. DAMPERS SHALL NOT BE INSTALLED IN STARTER COLLARS. ALL DAMPER HANDLES SHALL HAVE A FLAG ON THE HANDLE FOR LOCATION PURPOSES.
- OUTSIDE AIR INTAKES SHALL BE A MINIMUM OF 10'-0" FROM EXHAUST FANS AND VENTS.
- SEE M1.0 AND SCOPE OF WORK FOR DESCRIPTION OF HVAC PACKAGE TO BE PURCHASED THROUGH YUM! BRANDS NATIONAL CONTRACT.
- CONTRACTOR IS RESPONSIBLE FOR PROVIDING HVAC TEST & BALANCE REQUIRED FOR LOCAL AUTHORITY HAVING JURISDICTION, CERTIFICATE OF OCCUPANCY, BUILDING FINAL, ETC.
- FINAL HVAC SYSTEM TESTING AND BALANCING, AND COMMISSIONING SHALL BE PERFORMED BY INDEPENDENT AGENT. CONTRACTED DIRECTLY BY THE OWNER IS SCHEDULED AND PAID FOR (FRANCHISEE STORES) BY GENERAL CONTRACTOR (CORPORATE STORES ARE DIRECT BILLED TO TACO BELL). CONTRACTOR SHALL CERTIFY COMPLETION OF INSTALLATION, START UP AND PRE-COMMISSIONING CHECKLIST SHOWN ON SHEET SW2.0 BEFORE SCHEDULING OWNER'S INDEPENDENT AGENT. A RE-TEST IS MANDATORY FOR A FALSE START (I.E. NO POWER UPON AGENTS ARRIVAL, EQUIPMENT NOT WIRED, COMPLETED, STARTED, ETC.) AND SHALL BE A COST INCURRED BY THE G.C. IN THE EVENT A SYSTEM / STORE RECEIVES A GRADE OF 5 OR BELOW AS A RESULT OF THE HVAC SYSTEM PERFORMANCE OR OPERATIONAL DEFICIENCIES, OWNER WILL REQUEST A RE-TEST AND THE COST SHALL BE INCURRED BY THE GENERAL CONTRACTOR.

INDEPENDENT AGENTS:

Air Care Experts
TAB@ACE-IAQ.COM
949 770-2222

- WIRE ALL SMOKE DETECTORS IN RTU TO ITS RESPECTIVE REMOTE ANNUCIATOR/RESET SWITCH. INSTALL "SYSTEM SENSOR" MODEL RTS2AOS, MOUNT NEXT TO THERMOSTATS @ 48" A.F.F. - INSTALL PER MANUFACTURER SPECIFICATIONS.
- REFERENCE RTU TO TBCCB CONNECTIONS PER E6.1.
- RTU MANUFACTURER FURNISHED THERMOSTATS SHALL BE CAPABLE OF RECEIVING AN EXTERNAL "OCCUPIED" SIGNAL.
- MECHANICAL CONTRACTOR IS RESPONSIBLE FOR LOW VOLTAGE CONNECTIONS.
- REFERENCE RTU TO TBANS CONNECTIONS PER E7.1. MECHANICAL CONTRACTOR IS RESPONSIBLE FOR LOW VOLTAGE CONNECTIONS.
- LOW VOLTAGE CONNECTIONS TO SMOKE DETECTORS, REMOTE ANNUCIATORS AND RESETS, HUMIDISTATS, THERMOSTATS, REMOTE SENSORS, TBCCB AND TBANS REQUIRE VISUAL INSTALLATION VERIFICATION CERTIFICATE. CONTACT CERTIFY@ACE-BCX.COM OR 949 770 2222 FOR CERTIFICATE. SEE SHEET SW2.0 CERTIFICATE.

MECHANICAL NOTES

6

REFER TO SCOPE OF WORK IN DIV 23 SPECIFICATION FOR HVAC FOR TEST & BALANCE & COMMISSIONING REQUIREMENTS WHICH WILL BE SUPPLIED BY THE OWNER AND COORDINATED BY THE GC.

MARK	AREA SERVED	FAN DATA					COOLING CAPACITY				HEATING CAPACITY			ELECTRICAL DATA				WEIGHT (LBS.)	MODEL	NOTES
		SUPPLY CFM	MIN. OA CFM	ESP	HP	RPM	NOMINAL TONS	MIN CAP (MBH) TOT/SEN	MIN EER	INPUT (MBH)	OUTPUT (MBH)	HEATING STAGES	AFUE %	VOLTS/PH	MCA (A)	MOCP (A)				
RTU-1	DINING	3000	750	0.8	2	913	7.5	95.5/68.9	12.0	180/148	120/98	2	82	208/3	41	50	1902	48HCEE08B2A5-6F4J0	1,2,3,4,5,6,7,8,9,10,11,12,13,14	
RTU-2	KITCHEN	5000	1050	0.8	5	751	12.5	158.3/116.9	12.2	180/144	144/118	2	81	208/3	60	70	1916	48HCEE14B2A5-6F4J0	1,2,3,4,5,6,7,8,9,10,11,12,13,14	

SCHEDULE NOTES:

- LISTED CAPACITY IS THE UNIT'S NET COOLING CAPACITY AT THE FOLLOWING CONDITIONS: RTU-1 - 77.7°F DB /65.7°F WB EAT AND 90.4°F AMBIENT / RTU-2 - 77.5°F DB /65.1°F WB EAT AND 91°F AMBIENT. OUTDOOR DESIGN CONDITION, SUMMER 91°F & 74°F WB, WINTER 1°F. THERMOSTAT SHALL BE PROGRAMMED FOR 73°F IN SUMMER AND 68°F IN WINTER WITH 2°F ADJ. FUNCTION UP OR DOWN. THE UNOCCUPIED TEMP SHALL BE SET TO THE STORE SCHEDULE AND 60°F MINIMUM. SPECIFIED UNITS INCLUDE MINIMUM 2 STAGE COOLING, LOW AMBIENT CONTROL TO 0 DEG. F AND THROUGH THE ROOF CURB GAS AND POWER CONNECTIONS.
- HINGED ACCESS DOORS (FACTORY PROVIDED).
- 2 INCH MERV 8 FILTER (FACTORY PROVIDED).
- SINGLE ENTHALPY ECONOMIZER/W HOOD (FACTORY PROVIDED).
- HIGH PERFORMANCE ECONOMIZER (FACTORY PROVIDED).
- STANDARD STATIC POWER RELIEF/W HOOD (FACTORY PROVIDED).
- UNIT MOUNTED DISCONNECT SWITCH (FACTORY PROVIDED).
- RETURN AIR SMOKE DETECTOR (FACTORY PROVIDED).
- PHASE MONITOR (FACTORY PROVIDED).
- CONSTANT AIR VOLUME (FACTORY PROVIDED).
- 14" ROOF CURB (FIELD INSTALLED).
- COMFORT SENSE 7500 THERMOSTAT (FIELD INSTALLED).
- GFCI (FIELD WIRED, FACTORY INSTALLED).
- PROVIDE HOT GAS REHEAT. HUMIDITY SENSOR TO BE MOUNTED IN THE RETURN AIR AT THE UNIT.

HVAC UNIT SCHEDULE

1

Mark	FAN DATA					VOLTS/PH	DRIVE TYPE	MANUFACTURER	MODEL	NOTES
	CFM	ESP	RPM	HP						
EF-1	1050	0.9	1344	1/2	120/1		DIRECT	STRATOVENT	#SVDU50HFA	1,3,5,6,7,8,10
EF-2	570	0.375	1025	1/4	120/1		DIRECT	STRATOVENT	#SVD30HFA	2,4,7,8,9,10,11

REMARKS:

- UL 762 LISTED (GREASE)
- UL 705 LISTED (HEAT OR STEAM)
- FLAT ROOF CURB, 19.5" X 19.5" X 26"H, VENTED
- FLAT ROOF CURB, 19.5" X 19.5" X 14"H
- GREASE CUP WITH DRAIN
- FACTORY ATTACHED HINGES
- WEATHERPROOF PRE-WIRED DISCONNECT SWITCH
- PROVIDE PRE-WIRED SOLID STATE SPEED CONTROLLER
- GRAVITY BACKDRAFT DAMPER
- FURNISHED BY OWNER WITH HOOD PACKAGE
- FURNISHED WITH DAMPER TRAY

EXHAUST FAN SCHEDULE

2

MARK	NECK SIZE	FACE SIZE OR GRID SIZE	(NO.) & AIR PATTERN	TYPE	MAX FLOW (CFM)	MOUNTING	MATERIAL	MANUFACTURER	MODEL NUMBER	REMARKS
E-1	8"X8"	12"x12"	-	EXHAUST	200	SURFACE	ALUMINUM	METAL-AIRE / TITUS	CCSS-1/ 50F	FRN SQR TO RND ADAPTER
E-2	8"DIA	24"x24"	-	EXHAUST	300	SURFACE	ALUMINUM	METAL-AIRE / TITUS	CCS-FB-TB/50F-NT	FRN SQR TO RND ADAPTER
R-1	22"X22"	24"x24"	-	RETURN	2000	LAY-IN	ALUMINUM	METAL-AIRE / TITUS	RHE-6/50FF	HINGED/FULLY REMOVABLE FACE
S-1	15"X15"	24"x24"	4W	SUPPLY	600	LAY-IN	ALUMINUM	METAL-AIRE / TITUS	5000-6 / TDC-AA-NT	FRN SQR TO RND ADAPTER
S-2	9"X9"	14"x14"	4W	SUPPLY	250	SURFACE	ALUMINUM	METAL-AIRE / TITUS	5000-1 / TDC-AA	FRN SQR TO RND ADAPTER
S-4	22"X22"	24"x24"	4W	SUPPLY	600	LAY-IN	MODULAR PLASTIC CORE	HART & COOLEY	RZMCDST	FRN SQR TO RND ADAPTER
T-1	24"X16"		VERT	RETURN	0	DUCT	ALUMINUM	TITUS	350RL	RETURN/TRANSFER AIR GRILLE

NOTES:

- SURFACE MOUNTED DIFFUSERS IN HARD CEILINGS SHALL BE PROVIDED WITH OPPOSED BLADE DAMPERS. SEE ARCHITECTURAL DRAWINGS FOR CEILING TYPES.

AIR DEVICE SCHEDULE

3

ITEM	OA	RA	SA	EA	PRESSURE
EF-1	--	--	--	-1050	-1050
EF-2	--	--	--	-570	-570
RTU-1	750	2250	3000	--	+750
RTU-2	1050	3950	5000	--	+1050
TOTAL	1800	6200	8000	-1620	+180

NOTES:

- OUTSIDE PERCENTAGE OF TOTAL SUPPLY AIR IS 25% FOR RTU-1 AND 21% FOR RTU-2.
- ADJUST OUTSIDE AIR INTAKES TO MAINTAIN VALUES AT ALL EVAPORATOR FAN SPEEDS.

FOR HVAC TEST AND BALANCE, GC TO SCHEDULE WITH TACO BELL'S PREFERRED VENDOR PER SCOPE OF WORK WORKSHEETS. BE PREPARED AT TIME OF ORDER OR QUOTE REQUEST TO PROVIDE ALL PROJECT DETAILS REGARDING SPECIFICATIONS AND QUANTITIES AS SITE SPECIFIC DESIGN MAY NOT MATCH NATIONAL DESIGN.

SEE THE SCOPE OF WORK SHEETS FOR ADDITIONAL INFORMATION.

HVAC NATIONAL ACCOUNT NOTES

5

AIR BALANCE SCHEDULE

4

SYMBOL & ABBREV.	DESCRIPTION
	SA/SUP SUPPLY AIR (RISE/DROP)
	RA/RET RETURN AIR DUCT (RISE/DROP)
	EA/EXH EXHAUST AIR DUCT (RISE/DROP)
	CD/SR CEILING DIFFUSER/SUPPLY REGISTER (ARROWHEAD REPRESENTS NUMBER OF THROW)
	RR/RG RETURN REGISTER/GRILLE
	ER/EG EXHAUST REGISTER/GRILLE
	FLEX FLEXIBLE DUCT (14'-0" MAXIMUM)
	ROUND DUCT ELBOW
	ROUND DUCTWORK
	MCD MANUAL VOLUME DAMPER
	DUCT TRANSITION (RECTANGULAR TO ROUND)
	T T-STAT PROGRAMMABLE THERMOSTAT, PROVIDED WITH HVAC PACKAGE
	TS THERMOSTAT SENSOR (REMOTE), PROVIDED WITH HVAC PACKAGE
	H HUMIDITY SENSOR (REMOTE), PROVIDED WITH HVAC PACKAGE
	SD SMOKE DETECTOR, PROVIDED WITH HVAC PACKAGE, MOUNTED IN UNIT
	D CONDENSATE DRAIN
	Ø DIA. DIAMETER
	MECHANICAL EQUIPMENT DESIGNATION
	R RESET SMOKE DETECTOR RESET

SYMBOL & ABBREV.	DESCRIPTION
A/C, AC	AIR CONDITIONING
A.F.F.	ABOVE FINISHED FLOOR
BDD	BACK DRAFT DAMPER
CB	CIRCUIT BREAKER
CLG.	CEILING
CONN.	CONNECT/CONNECTION
CONT.	CONTINUATION
CFM	CUBIC FEET PER MINUTE
DISC.	DISCONNECT
EA	EXHAUST AIR
EF	EXHAUST FAN
(E)	EXISTING
GA	GAGE/GAUGE
GC	GENERAL CONTRACTOR
HVAC	HEATING, VENTILATING, AND AIR CONDITIONING
MFR.	MANUFACTURER
MECH.	MECHANICAL
OA	OUTSIDE AIR
OBD	OPPOSED BLADE DAMPER
RA	RETURN AIR
SA	SUPPLY AIR
S/S	STAINLESS STEEL
TYP.	TYPICAL

MECHANICAL SYMBOLS

7

DATE	REMARKS
1 03.17.22	Issued for Bid

CONTRACT DATE: 10.06.21
BUILDING TYPE: END.MED20
PLAN VERSION: MARCH 2021
BRAND DESIGNER: DICKSON
SITE NUMBER: 0
STORE NUMBER: 0
PA/PM: SM
DRAWN BY.: RV
JOB NO.: 2020188.06

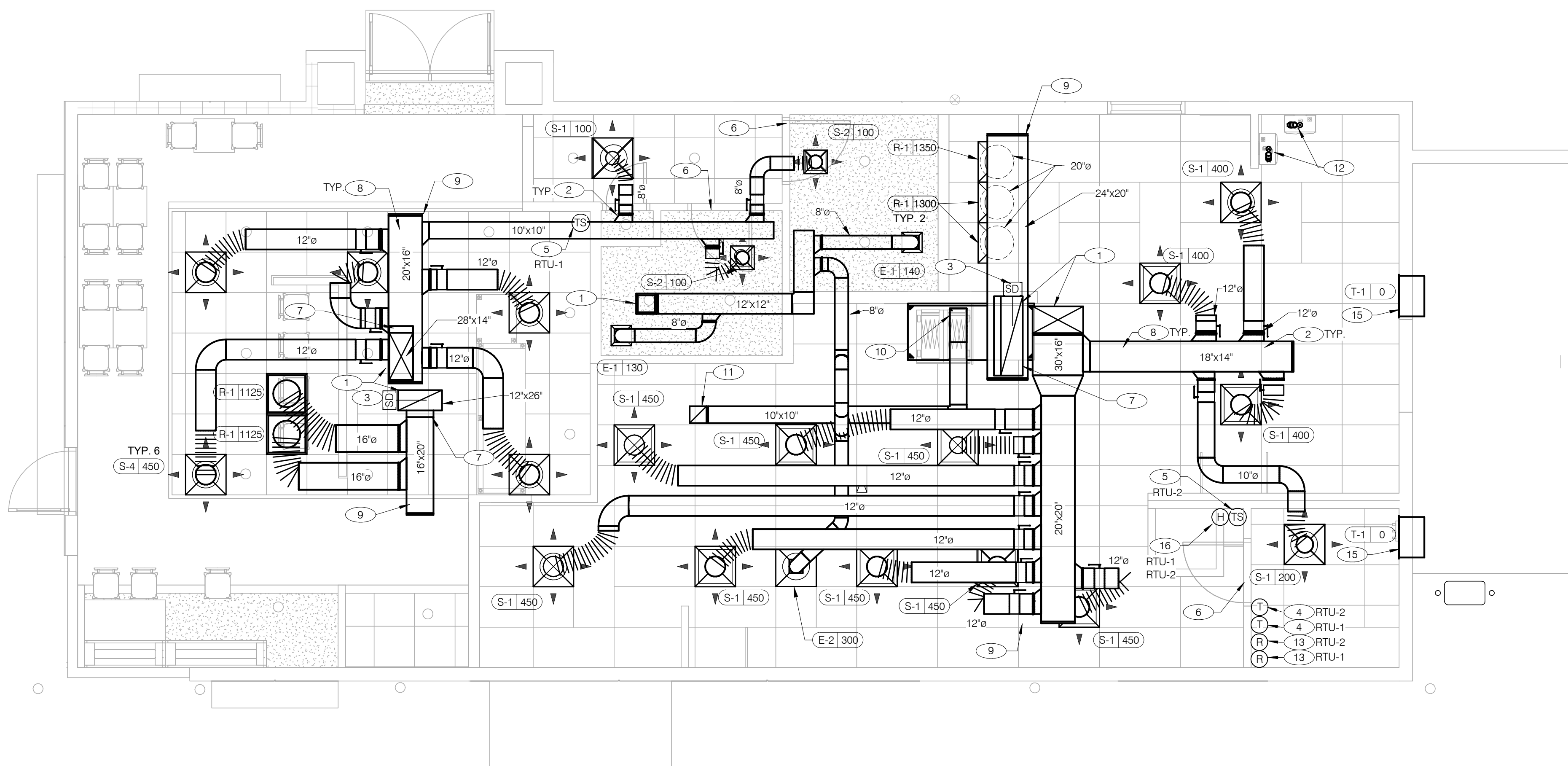
TACO BELL

3039 Dixie Hwy,
Edgewood, KY 41017



ENDEAVOR 2.0 MECHANICAL SCHEDULES AND NOTES

M1.0



COVER ALL HVAC DUCT SYSTEMS OPENINGS TO PROTECT FROM CONSTRUCTION DUST AND DEBRIS UNTIL CONSTRUCTION IS COMPLETE. IF HVAC SYSTEM IS OPERATED BEFORE CONSTRUCTION IS COMPLETE, PROVIDE MERV8 FILTERS AT ALL AIR INTAKES INSIDE THE BUILDING.

DATE	REMARKS
03.17.22	Issued for Bid

CONTRACT DATE: 10.06.21
BUILDING TYPE: END. MED20
PLAN VERSION: MARCH 2021
BRAND DESIGNER: DICKSON
SITE NUMBER: 0
STORE NUMBER: 0
PA/PM: SM
DRAWN BY.: RV
JOB NO.: 2020188.06

DUCT AND DIFFUSER PLAN 1/4" = 1'-0" **A**

- DINING ROOM LIGHT FIXTURE LOCATIONS ARE CRITICAL. COORDINATE DUCTWORK LOCATIONS WITH LIGHTING AND STRUCTURAL.
- THERMOSTATS SHALL BE PROGRAMMABLE THERMOSTAT WITH SUBBASE AND REMOTE TEMPERATURE SENSOR (PROVIDED WITH RTU PACKAGE).
- HUMIDITY SENSOR APPLICATION IS VARIABLE PER SITE SPECIFIC CONDITIONS. REFER TO HVAC UNIT SCHEDULE FOR APPLICATION CONDITIONS.

- AIR DUCT UP TO UNIT.
- SEE DETAIL 4 ON DRAWING M4.0 FOR SUPPLY AIR TAKE-OFF TO CEILING DIFFUSERS AND GRILLES.
- FACTORY INSTALLED SMOKE DETECTOR MOUNTED IN ROOFTOP UNIT RETURN.
- LOCATE THERMOSTAT CONTROLS ON WALL IN OFFICE AT 48" A.F.F. COORDINATE LOCATION WITH LIGHT SWITCHES AND OTHER WALL MOUNTED ACCESSORIES. RUN 24 VAC POWER AND SIGNAL CONDUCTORS IN TWO (2) SEPARATE TWO (2) CONDUCTOR CABLES, 18 AWG.
- MOUNT THERMOSTAT REMOTE SENSOR AT 60" ABOVE FINISHED FLOOR. CONNECT TO THERMOSTAT WITH 18 AWG 2 CONDUCTOR CABLE PER MANUFACTURER INSTALLATION INSTRUCTIONS. ENSURE THAT TEMPERATURE SENSOR IN DINING AREA IS NOT LOCATED ON TILE WALL.
- UNDERCUT RESTROOM DOORS MINIMUM 3/4" FOR MAKE-UP AIR.
- PROVIDE SHOE TAP AT CONNECTION TO DUCT DROP FROM ROOFTOP UNIT.
- RUN DUCT THROUGH OPEN WEBBING OF ROOF TRUSSES (WHERE POSSIBLE). COORDINATE WITH TRUSS DESIGN PRIOR TO DUCTWORK FABRICATION.
- RUN DUCTWORK BETWEEN TRUSSES AS HIGH AS POSSIBLE UNDER ROOF JOISTS.
- 10"x10" EXHAUST AIR DUCT DOWN AND TRANSITION TO FIELD CUT EXHAUST CONNECTION AT HOOD.
- EXHAUST DUCT SHALL RUN BETWEEN ROOF JOISTS TO CONNECT TO ROOF EXHAUST FAN EF-1. SEE HOOD DETAILS ON DRAWING M3.0. SEE DETAIL 10 ON SHEET M4.0 FOR FIRE PROTECTION OF DUCT WORK. SEE DETAIL 11 ON SHEET M4.0 FOR EXHAUST DUCT TRANSITION.
- PROVIDE 3" PVC WATER HEATER INTAKE AND FLUE VENT. TERMINATION ON ROOF. COORDINATE WORK WITH ALL TRADES.
- PROVIDE SMOKE DETECTOR RESET SWITCH WITH KEY. RESET SWITCH SHALL BE "SYSTEM SENSOR" MODEL # RT5151 KEY. MOUNT NEXT TO THERMOSTATS @ 48" A.F.F. - INSTALL PER MANUFACTURER'S REQUIREMENTS.
- NOT USED.
- TRANSFER AIR GRILLE MOUNTED ABOVE CEILING TO ALLOW TRANSFER AIR TO PREVENT FREEZING ABOVE WALK-IN COOLER/FREEZER. COORDINATE IN FIELD WITH OTHER TRADES TO ENSURE NO OBSTRUCTIONS.
- HUMIDITY SENSOR (REMOTE). MOUNT HUMIDITY SENSORS FOR RTU-1 & RTU-2 AT EYE LEVEL IN KITCHEN. VERIFY EXACT LOCATION.

GENERAL NOTES - MECHANICAL NTS **C**

KEYNOTES - DUCT AND DIFFUSER NTS **B**

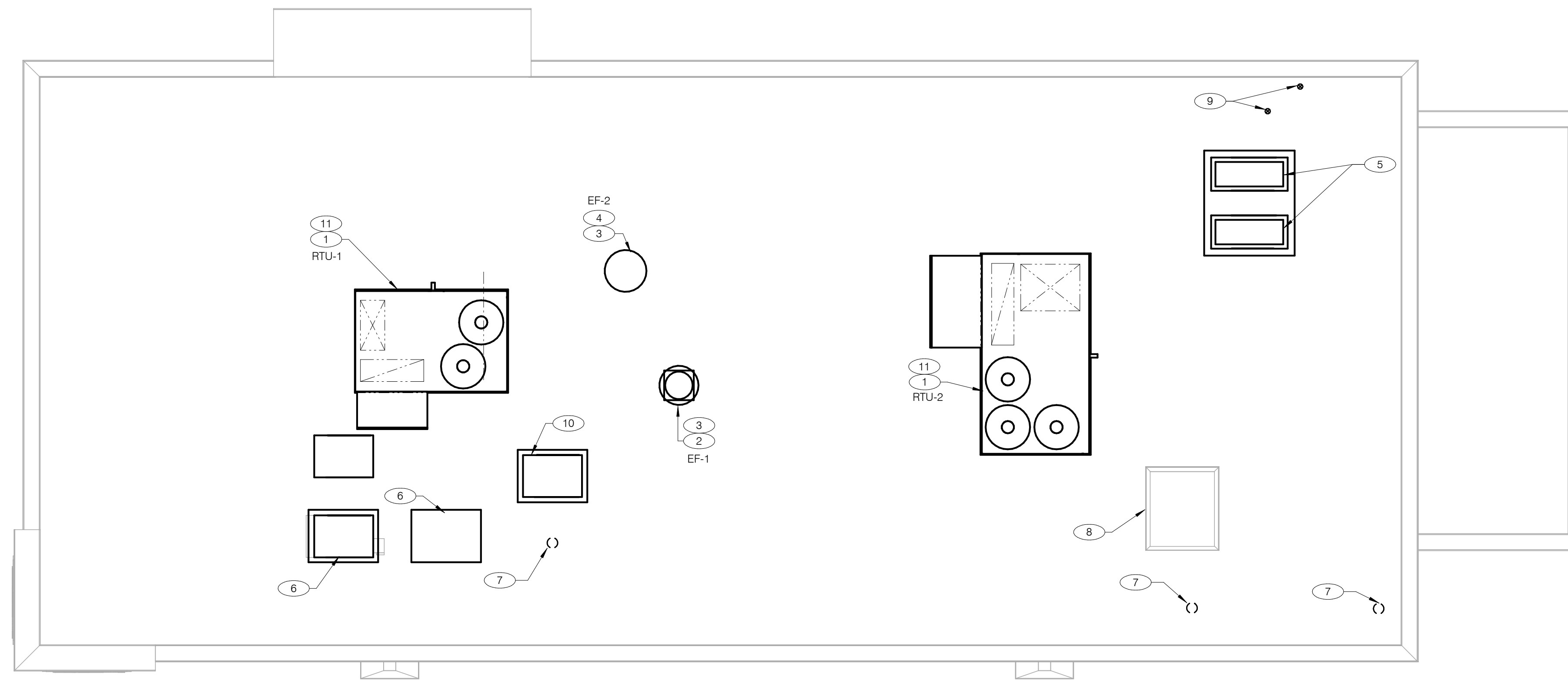
TACO BELL
3039 Dixie Hwy.
Edgewood, KY 41017



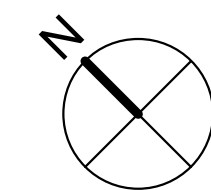
ENDEAVOR 2.0
DUCT AND
DIFFUSER PLAN

M2.0

PLOT DATE: 5/4/2022 2:27:36 PM



COVER ALL HVAC DUCT SYSTEMS OPENINGS TO PROTECT FROM CONSTRUCTION DUST AND DEBRIS UNTIL CONSTRUCTION IS COMPLETE. IF HVAC SYSTEM IS OPERATED BEFORE CONSTRUCTION IS COMPLETE, PROVIDE MERV8 FILTERS AT ALL AIR INTAKES INSIDE THE BUILDING.



DATE	REMARKS
1 03.17.22	Issued for Bid

CONTRACT DATE: 10.06.21
 BUILDING TYPE: END, MED20
 PLAN VERSION: MARCH 2021
 BRAND DESIGNER: DICKSON
 SITE NUMBER: 0
 STORE NUMBER: 0
 PA/PM: SM
 DRAWN BY.: RV
 JOB NO.: 2020188.06

MECHANICAL ROOF PLAN 1/4" = 1'-0" **A**

- ① PROVIDE RTU IN LOCATION AS SHOWN ON PLANS. COORDINATE EXACT RTU LOCATION AND DUCT DROPS WITH STRUCTURAL TRUSS LAYOUT. MAINTAIN MINIMUM 10'-0" CLEARANCE BETWEEN OUTSIDE AIR INTAKES AND EXHAUST TERMINATIONS.
- ② PROVIDE TYPE I EXHAUST FAN IN LOCATION AS SHOWN PLANS. CONNECT 10"x10" EXHAUST DUCT FROM EXHAUST HOOD UP TO EF-1 ON ROOF. COORDINATION EXHAUST DUCT ROUTING WITH STRUCTURAL TRUSS LAYOUT.
- ③ COORDINATE EXHAUST FAN LOCATION WITH ROOFTOP UNIT. MAINTAIN ROOFTOP UNIT MANUFACTURER'S REQUIRED CLEARANCE AND MINIMUM 10 FT TO ROOFTOP UNIT'S OUTSIDE AIR INTAKE.
- ④ PROVIDE EXHAUST FAN IN LOCATION AS SHOWN PLANS. CONNECT 10"x10" EXHAUST DUCT FROM RESTROOM EXHAUST GRILLES TO EF-2 ON ROOF. COORDINATION EXHAUST DUCT ROUTING WITH STRUCTURAL TRUSS LAYOUT.
- ⑤ CONDENSING UNIT SERVING WALK-IN COOLER/FREEZER. COORDINATE EXACT LOCATION WITH ROOF LAYOUT. CONTRACTOR TO FIELD VERIFY EXACT REFRIGERANT PIPING. PROVIDE ALL NECESSARY PIPING ACCESSORIES INCLUDING PIPING INSULATION AND INSTALL ON APPROPRIATE EQUIPMENT SUPPORTS.
- ⑥ CONDENSING UNIT SERVING ICE MAKER. COORDINATE EXACT LOCATION WITH ROOF LAYOUT. CONTRACTOR TO FIELD VERIFY EXACT REFRIGERANT PIPING. PROVIDE ALL NECESSARY PIPING ACCESSORIES INCLUDING PIPING INSULATION AND INSTALL ON APPROPRIATE EQUIPMENT SUPPORTS.
- ⑦ PLUMBING VENT. REFERENCE 1/P2.0.
- ⑧ ROOF HATCH. REFER TO ARCHITECTURAL DRAWINGS FOR MORE INFORMATION.
- ⑨ PROVIDE MANUFACTURER'S CONCENTRIC TERMINATION VENT KIT SERVING HOT WATER HEATER BELOW. INSTALL IN STRICT ACCORDANCE WITH MANUFACTURER'S REQUIREMENTS. ENSURE AT LEAST 10'-0" DISTANCE BETWEEN OUTDOOR AIR INTAKES.
- ⑩ CONDENSING UNIT SERVING FROZEN BEVERAGE MACHINE. COORDINATE EXACT LOCATION WITH ROOF LAYOUT. FIELD VERIFY EXACT REFRIGERANT PIPING. PROVIDE ALL NECESSARY PIPING ACCESSORIES INCLUDING PIPING INSULATION AND INSTALL ON APPROPRIATE EQUIPMENT SUPPORTS.
- ⑪ ALL UTILITY PIPING FOR RTUS SHALL RUN UP THROUGH ROOF INSIDE EACH UNIT'S ROOF CURB.

KEYNOTES - MECHANICAL ROOF PLAN NTS **B**

TACO BELL
 3039 Dixie Hwy,
 Edgewood, KY 41017



**ENDEAVOR 2.0
 MECHANICAL
 ROOF PLAN**

M2.1

STRATOVENT MODEL# SVDU50HFA

TAG	HOOD	STRATOVENT MODEL #	CFM	ESP	RPM	H.P.	B.H.P.	Q	VOLT	FLA	MCANOP	WEIGHT (LBS)	SONES
EF-1	FRYER	SVDU50HFA	1050	0.9'	1429	0.50	0.33	1	115	8.4	19.5/15	85/40	14.5

SELECTOR OPTIONS

- RESTAURANT MODEL
- ULTRACLEAN GREASE RATED
- DIRECT DRIVE
- SPEED CONTROLLER
- WEATHERPROOF DISCONNECT
- FLAT CURB VENTED
- FACTORY ATTACHED HINGES

ATTENTION!
INSTALLER MUST READ LABEL NEAR DISCONNECT SWITCH MESSAGE ON LABEL. INSTALLER SHOULD SUPPLY ENOUGH ELECTRICAL CORD TO ALLOW FAN TO MAKE COMPLETE SWIRL.

INSTALLER TO PROVIDE SUP BACKSTAY TO BE USED TO LOCK HINGE IN OPEN CLOSED POSITION. HINGE MUST BE RECOMMENDED.

REVISED: 10-10-2018

HOOD EXHAUST FAN DETAIL NTS **7**

INSTALLATION: DUCT TEMPERATURE SWITCH

OPTION #2: THROUGH ROOF OF HOOD INTO PLENUM AREA BEHIND FILTERS, LEFT OR RIGHT OF DUCT OPENING.

OPTION #1 (PREFERRED): FACTORY INSTALLED IN HOOD CAVITY.

NOTE: IF SENSOR IS FIELD INSTALLED, THE KIT SHIPS WITH UL LISTED QUICK SEALS MUST BE USED TO SEAL ANY HOOD OR DUCT PENETRATIONS (SEE EXPLODED PARTS VIEW).

INSTALLATION: DUCT TEMPERATURE SENSOR

SENSOR DETAIL

(1) NORMALLY OPEN DRY CONTACT, CLOSING ON TEMPERATURE RISE ABOVE 85F. WIRED IN PARALLEL TO NORMAL CONTROL CIRCUIT. WHEN ORDERED, SENSOR IS FACTORY INSTALLED IN HOOD CAVITY WITH J-BOX ON TOP OF THE HOOD.

(2) DO NOT USE SENSOR AS THE PRIMARY MEANS OF FAN CONTROL. USED ONLY AS A SAFETY DEVICE PER INTERNATIONAL MECHANICAL CODE TO ENERGIZE HOOD EXHAUST FAN WHEN COOKING EQUIPMENT GENERATES HEAT.

(3) FAN CONTACTOR AND CONTROLS BY OTHERS, SEE ELECTRICAL SHEETS FOR DETAILS.

(4) SEE SPECS ABOVE FOR TEMP SET POINT ADJUSTMENT

HEAT SENSOR ATTACHMENT

ADDITIONAL QUESTIONS??
CONTACT, STRATOVENT VENTILATION HOODS, 919-573-4250 - 251-490-6114
JEFF.JOHNSON@STRATOVENT.COM

SPECIFICATIONS:

- VULCAN CALSTAT, 1E2B9-85, NORMALLY OPEN DRY CONTACT
- SENSOR FACTORY SET AT 85F
- FIELD ADJUSTED W/SET SCREW, CW INCREASE, CCW DECREASE, 90F PER REVOLUTION
- RATED FOR: 10 AMPS @ 120 VAC, 5 AMPS @ 240 VAC
- SHIPPED FACTORY INSTALLED IN HOOD CAVITY

MODIFIED: 04-11-2020

HEAT SENSOR ATTACHMENT NTS **5**

TACO BELL HOOD DETAIL

HOOD #	1 OF 1	MODEL #	STRATOVENT SVD2
LENGTH (IN):	6'-3"	WIDTH (IN):	36"
HEIGHT (IN):	14'H		
EXHAUST CFM:	1050	SUPPLY CFM:	BY RTU-SEE M1.0
EXHAUST SP:	0.9' (HOOD+DUCT)	SUPPLY SP:	NA
EXHAUST FPM:	1512	SUPPLY FPM:	NA
EXH. SIZE:	10'X10'	SUP SIZE:	NA
FILTERS: (4)	16" X 16"	HOOD WEIGHT:	300 LBS
FIRE SUPPRESSION:	ANSUL-R102	FILTER TYPE:	STAINLESS BAFFLE
LIGHT QTY: (3)	A19/ CFL	CONTROL SWITCH:	BY OTHERS

DESIGN NOTES:

- STRATOVENT HOODS ARE ETL LISTED TO UL-710 STANDARDS, 3054804-001
- MODEL SVD2 IS A NON-CANOPY HOOD, "LISTED" VALUES ARE UTILIZED FOR AIRFLOW, OVERHANGS AND TEMPERATURE RATINGS.
- 18/20 GAUGE MINIMUM S/S ON EXPOSED SURFACES PER NFPA.
- HOOD IS PRE-PIPPED FOR ANSUL R102, FIELD HOOKUP BY OTHERS
- INSTALLER TO REVIEW ELECTRICAL SHEETS FOR HOOD AND FAN WIRING. STRATOVENT DOES NOT PROVIDE A CONTROL BOX IN THE "BASE" PACKAGE.

3" INTEGRAL REAR STAND-OFF, FACTORY INSULATED, HOOD ASSEMBLY IS LISTED AND LABELED FOR ZERO CLEARANCE TO COMBUSTIBLE IN THE REAR. ARCHITECT MUST VERIFY COMPLIANCE WITH ALL LOCAL CODES CONCERNING CLEARANCES.

25" TALL DUCT ENCLOSURE PANELS, FRONT, LEFT & RIGHT SIDES (PROVIDED WITH HOOD, GC INSTALLED).

TOP EDGE OF HOOD.

LOWER, LEADING EDGE OF HOOD, 71" ABOVE FINISHED FLOOR.

END PANELS, PROVIDED BY STRATOVENT, SEE SIDE VIEW DETAIL FIELD INSTALLED BY GC.

106"H X 95"L, BACKSPASH, COVERING REAR WALL AND 18" BEYOND THE HOOD. ADJUST SIZE TO SUIT SITE CONDITIONS. MINIMUM 20 GA. STAINLESS STEEL PROVIDED BY HOOD VENDOR.

8-10" HIGH, DROP CEILING (TYPICAL). HOOD PROVIDER MUST BE NOTIFIED IF CEILING HEIGHT VARIES TO ADJUST TRIM HEIGHT. VERIFY WITH ARCHITECTURAL SHEETS

HOOD DETAIL 2: 30"L X 3"H, FACTORY ATTACHED MOUNTING CHANNEL FOR CUSTOMER SUPPLIED TIMERS, DUAL 115V/1PH OUTLET FACE MOUNTED ABOVE CHANNEL WITH J-BOX ON TOP OF HOOD.

REDDING, CA - RALEIGH, NC
800-474-0037 - WWW.STRATOVENT.COM - 251-490-6114

UL LISTED FILE #3054804-001 / TESTED TO UL-710

UPDATED: 6FT-3IN LONG VERSION, 04-11-2020

TACO BELL HOOD DETAIL NTS **2**

TACO BELL HOOD FIRE SUPPRESSION SYSTEM PLAN

PROJECT: TACO BELL

System Size: ANSUL-3.0 Gallons Total, R102
Flow Points: 8 Design, 11 (max)

Hood #1: 6'-3" L x 36" W x 14" H
Exhaust Riser Size: 10" x 10"

NOTES

- FIELD PIPE DROPS AS SHOWN: SLEEVING, ELBOWS, TEES, AND NOZZLES SUPPLIED BY STRATOVENT FOR HOOD-BASED PIPING.
- RELOCATE NOZZLES IF FLOW PATTERN IS BLOCKED.
- MAXIMUM 9 ELBOWS IN SUPPLY LINE, MINIMUM 72 INCHES OF AGENT LINE FROM TANK TO FIRST NOZZLE.
- ALL NOZZLE HEIGHT AND PLACEMENT TO BE DETERMINED BY INSTALLER AND AHJ PER ANSUL GUIDELINES.
- ALL PIPING TO BE 3/8" SCH 40 BLACK IRON.
- THIS FIRE SYSTEM COMPLIES WITH U.L. 300 REQUIREMENTS.
- SYSTEM INSTALLATION AND FINAL HOOKUP SOURCED BY GEN CONTRACTOR. SYSTEM PARTS OPTIONALLY PURCHASED FROM STRATOVENT BY OWNER OR GC.

LEGEND - WALL MOUNTED ANSUL SYSTEM

1B	3.0 GALLON TANK
2	AUTOMAN RELEASE
5	ANSULEX LIQUID AGENT (3.0 GAL.)
7	CARTRIDGE (101-20)
10	TEST LINK
11	DOUBLE MICROSWITCH
1W	NOZZLE ASSEMBLY (419336)
1N	NOZZLE ASSEMBLY (419335)
3N	NOZZLE ASSEMBLY (419338)
28	DETECTOR BRACKET
30	HIGH TEMP FUSIBLE LINK
MGV	MECHANICAL GAS VALVE
34	REMOTE MANUAL PULL STATION
S	SWIVEL ADAPTOR

LOCATION OF PULL STATION PER LOCAL CODES.

DESIGN NOTE:
1) ABOVE DEPICTION SHOWS DUAL FRYERS ON RIGHT END OF THE HOOD. HOOD SUPPLIER WILL VERIFY EQUIP LAYOUT PER PLANS AND PLACE FRYER NOZZLES ON THE LEFT END WHEN APPROPRIATE TO SUIT SITE CONDITIONS

TACO BELL HOOD FIRE SUPPRESSION SYSTEM PLAN 12" = 1'-0" **6**

HOOD NOTES AND SPECS (TYP.)

- Hoods shall be constructed of minimum 20 gauge stainless steel with # 3 grade. All attachment surfaces shall be constructed of minimum 18 gauge aluminum steel.
- UL listed stainless steel or stainless steel clad type filters shall be easily removable for cleaning. Filter housing shall be made of a painted grease trap that drains into a removable stainless steel grease trap.
- UL listed and NSF approved upper and lower enclosure light fixtures permitted to function for at top of hood in accordance with NEC 710.
- Pre-wired fire suppression systems shall be located on the top of the hood and provided with the hood or by certified technician. Final location of all nozzles and the suppression drops to be locally approved and approved.
- Hoods shall be fabricated in accordance with NFPA Bulletin #96 and shall have the NSF Seal of Approval. Hoods shall be listed under UL 710 EXHAUST HOODS FOR COMMERCIAL COOKING EQUIPMENT, certified by ETL under File # 3054804-001.
- Hoods shall be fabricated in accordance with NFPA Bulletin #96 and shall have the NSF Seal of Approval. Hoods shall be listed under UL 710 EXHAUST HOODS FOR COMMERCIAL COOKING EQUIPMENT, certified by ETL under File # 3054804-001.

THIS HOOD DESIGN IS BASED UPON STRATOVENT, MODEL SVD2. MANUFACTURED BY: STRATOVENT VENTILATION HOODS RALEIGH, NC 27616 CONTACT: JEFF JOHNSON, 251-490-6114

STRATOVENT HOOD

ENCLOSURE WRAPPERS

HEAT SENSOR

HOOD LIGHTS

DUAL OUTLET FOR TIMER, REQUIRES DEDICATED BREAKER

36"

26"

61" TYP.

71" TYP.

1" THICK, INSULATED, END PANEL W/ ADJUSTABLE LEGS, SHIPS LOOSE, FIELD INSTALLED ON THE END OF THE HOOD CLOSEST TO RETHERMALIZER (VERIFY WITH EQUIP LAYOUT)

CHASE CUTOUT (GAS OR POWER LINES 19.5"H X 4"W TYPICAL)

STRATOVENT-BRAND HOODS ARE CERTIFIED BY ETL-INTERTEK TO NATIONALLY RECOGNIZED UL-710 AND NSF STANDARDS.

CONTACT US: WWW.STRATOVENT.COM 919-573-4250 FEEDBACK@STRATOVENT.COM

HOOD ISOMETRIC 12" = 1'-0" **3**

LOW-PROFILE HOOD HOOD #1

STRATOVENT HOODS BUILT IN COMPLIANCE WITH:

- NSF #96
- UL STANDARD #2
- UL STANDARD 710
- ETL FILE NO. 3054804-001

NON-CANOPY HOOD DESIGN BASED ON:

MANUFACTURER: STRATOVENT, MODEL SVD2
ETL LISTED UL/ULC-710, ULC-S646: # 3054804-001
MIN. "LISTED" AIRFLOW: 150 CFM PER LINEAR DESIGN AIRFLOW: 168 CFM PER LINEAR FT
MAX. DIST. ABOVE COOK SURFACE: 47"
MAX. COOK SURFACE FRONT UNDERHANG: -3"
MIN. SIDE COOK SURFACE OVERHANG: 0"
MAX. APPLIANCE COOKING TEMPERATURE: 450 F

HOOD DESIGN QUESTIONS?
STRATOVENT KITCHEN VENTILATION
PHONE: 251.490.6114
JEFF.JOHNSON@STRATOVENT.COM

EXHAUST FAN (EF #1)

40" MIN. (N.T.S.)

ROOF LINE

DUCT TERMINATION SHALL EXPAND TO MATCH FAN INLET SIZE. DO NOT OBSTRUCT FAN INLET.

NOTE: DEPICTED DUCT ROUTING IS GENERIC AND WILL VARY BASED ON SITE CONDITIONS. ADJUST FAN SIZING TO MATCH REQUIRED STATIC PRESSURE.

DROP CEILING (TYPICAL)

27"H, 3-SIDED DUCT ENCLOSURE PANELS, SHIPPED LOOSE BY HOOD SUPPLIER. DESIGN FOR UP TO 9FT DROP CEILING.

FIELD CUT OPENING BY INSTALLER, TRANSITION PER PLANS. IF SELECTED, A HOOD MOUNTED HEAT SENSOR WILL BE FACTORY INSTALLED IN ROOF OF HOOD FOR AUTOMATIC ACTIVATION.

16"H, UL-LISTED, S/S BAFFLE FILTERS.

3" INTEGRAL REAR STAND-OFF, FACTORY INSULATED. HOOD ASSEMBLY IS LISTED FOR ZERO CLEARANCE TO COMBUSTIBLE IN THE REAR. COMPLIANCE WITH ALL LOCAL CODES VERIFIED BY ARCHITECT.

GREASE CUP

26" X 26" END PANELS, SHIPPED LOOSE AND GC INSTALLED. PROVIDED BY HOOD VENDOR.

20 GA. MIN S/S WALL PANEL COVERING REAR WALL. EXTENDING 18" BEYOND THE HOOD. PROVIDED BY STRATOVENT.

FULL END PANEL ON END OF HOOD CLOSEST TO THE RETHERMALIZER. PROVIDED BY HOOD VENDOR.

30"L X 3"H X 1.25"W, TIMER MOUNTING CHANNEL. FACTORY ATTACHED. DUAL 115V/1PH POWER OUTLET FLUSH MOUNTED ON FACE OF HOOD WITH J-BOX ON TOP.

5'-11"

5'-11"

3'-0"

6'-0"

FINISHED FLOOR LINE

UPDATED: 6FT-3IN LONG VERSION, 04-11-2020

TACO BELL HOOD SECTION 12" = 1'-0" **1**

FOR REFERENCE ONLY

DATE	REMARKS
03.17.22	Issued for Bid

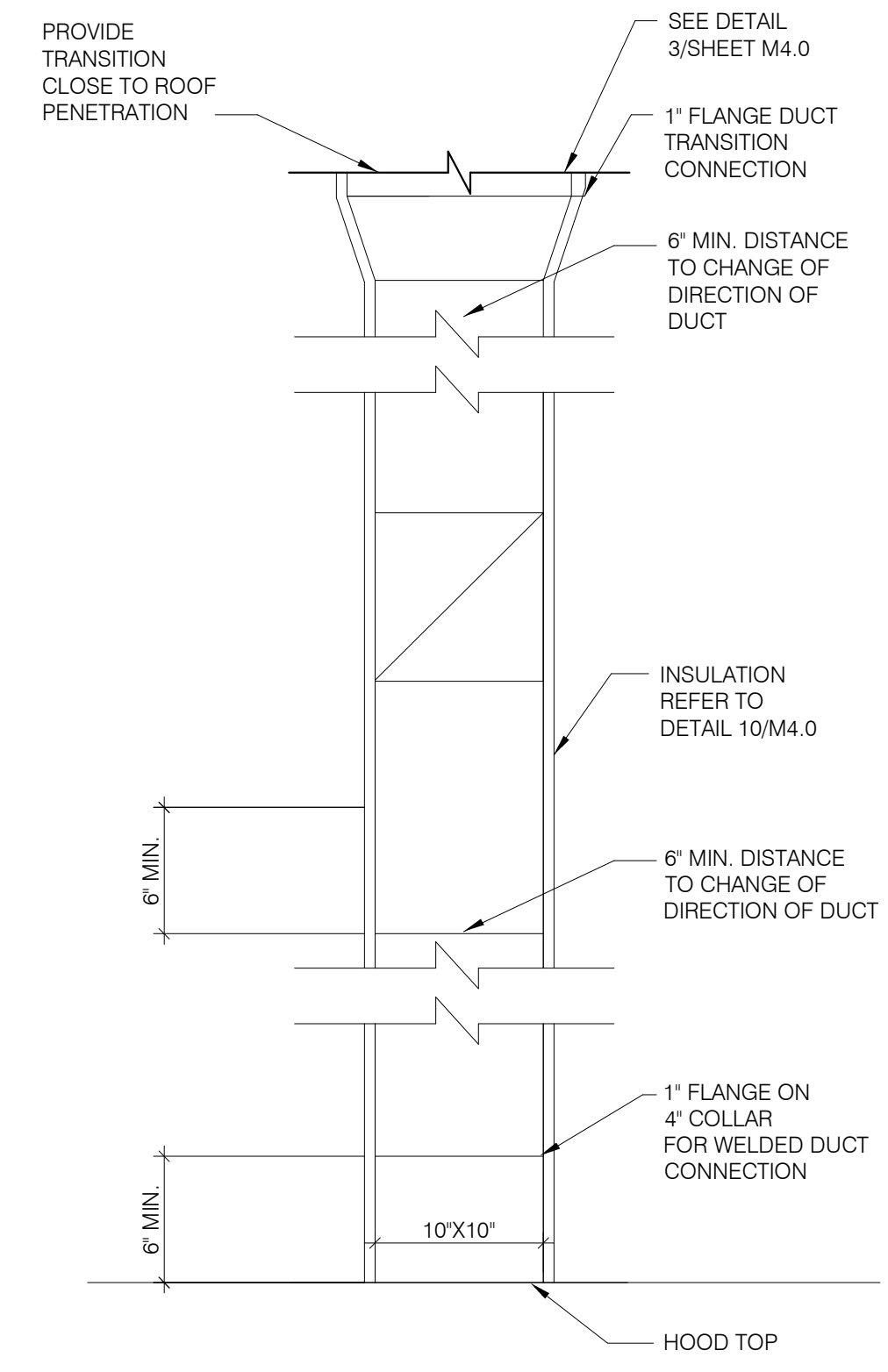
CONTRACT DATE: 10.06.21
BUILDING TYPE: END, MED40
PLAN VERSION: MARCH 2020
BRAND DESIGNER: DICKSON
SITE NUMBER: 0
STORE NUMBER: 0
PA/PM: SM
DRAWN BY: RV
JOB NO.: 2020188.06

TACO BELL
3039 Dixie Hwy,
Edgewood, KY 41017

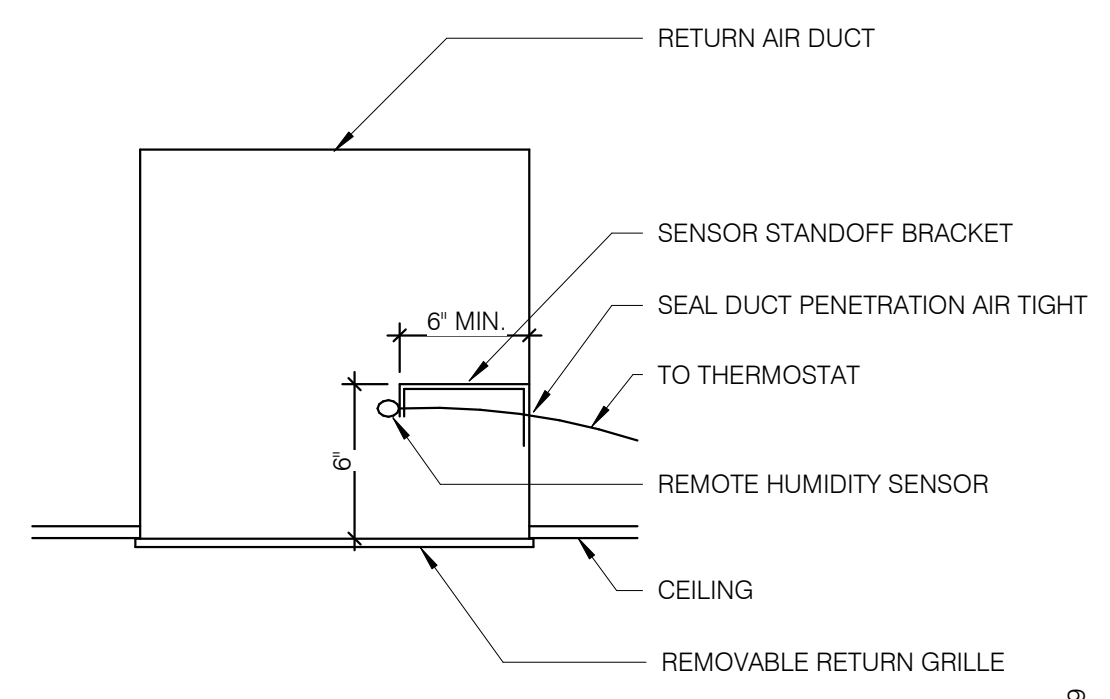


ENDEAVOR 1.0 HOOD DETAILS AND SECTIONS

M3.0

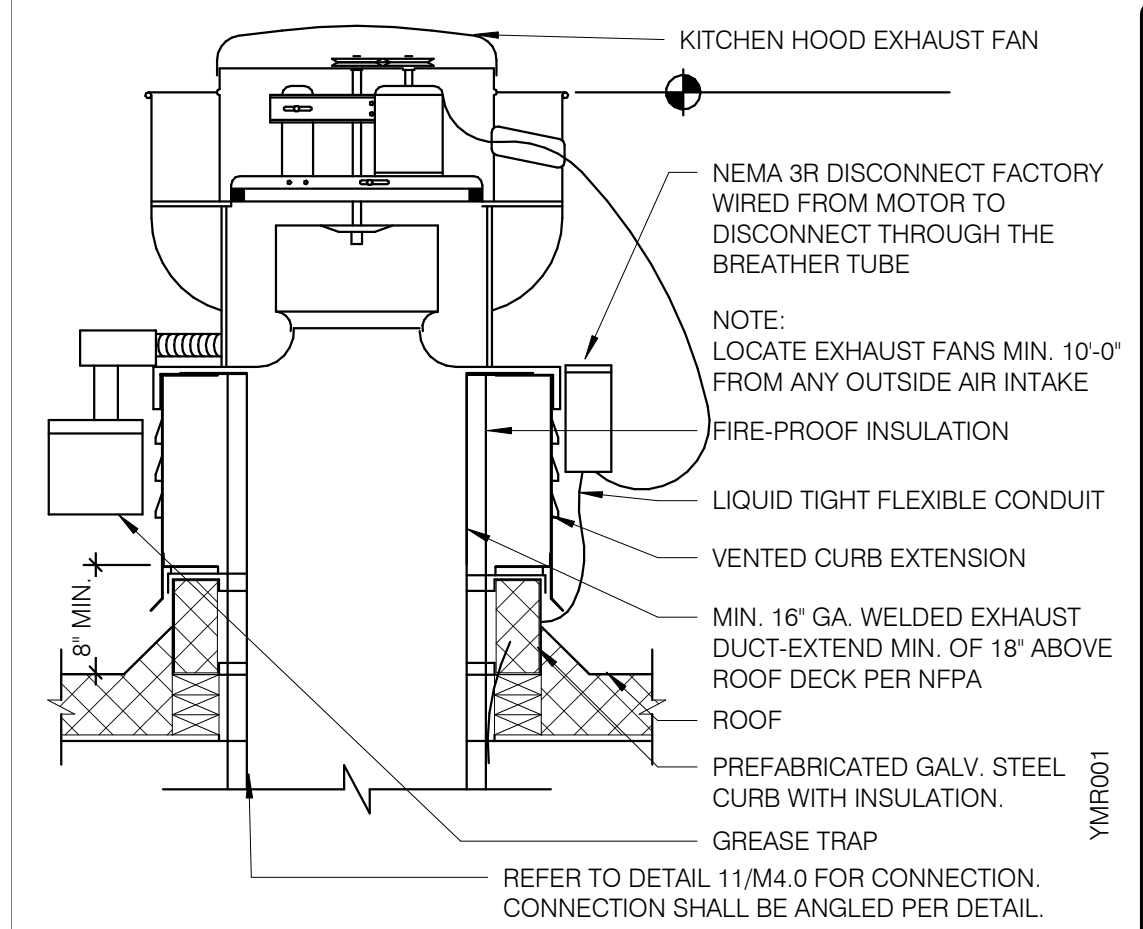


TB HOOD DUCT TRANSITION NTS **11**

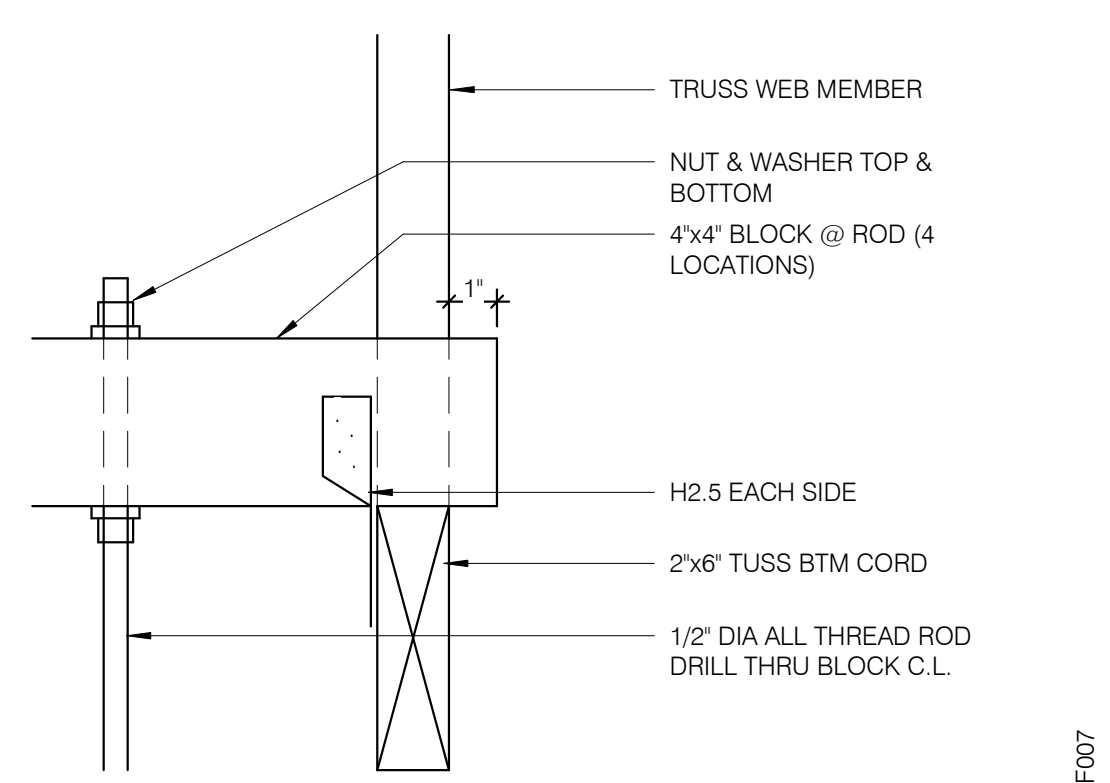


REMOTE HUMIDITY SENSOR NTS **8**

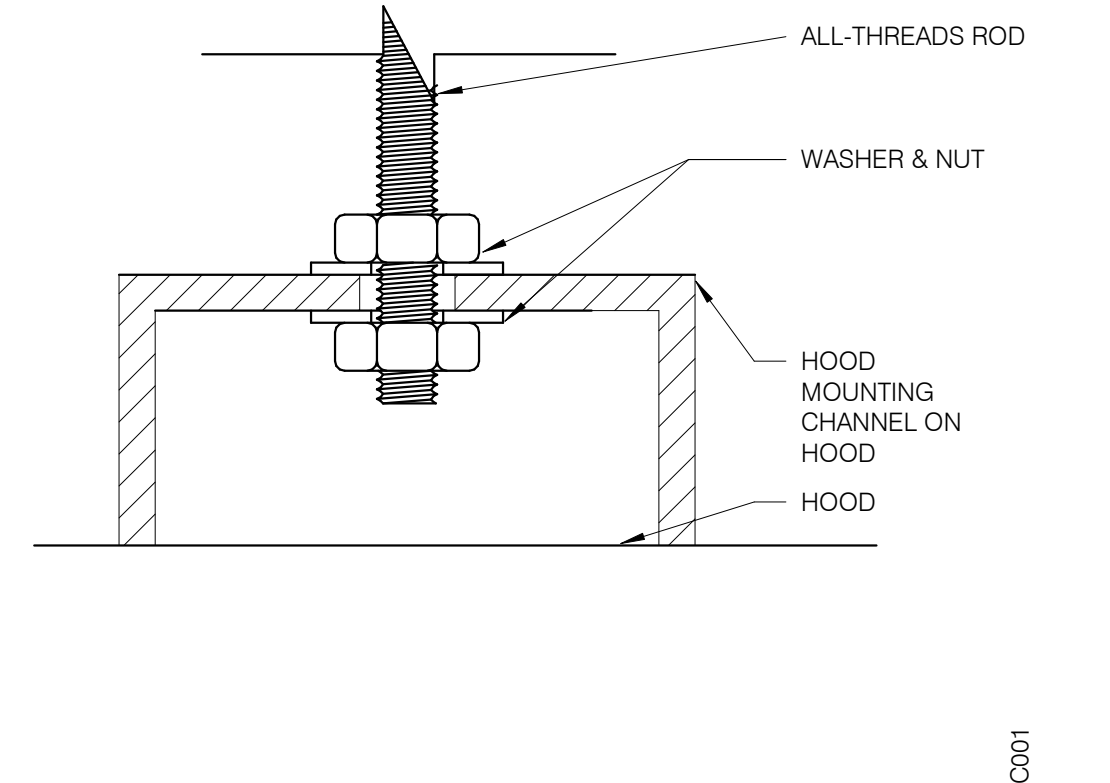
NOT USED NTS **6**



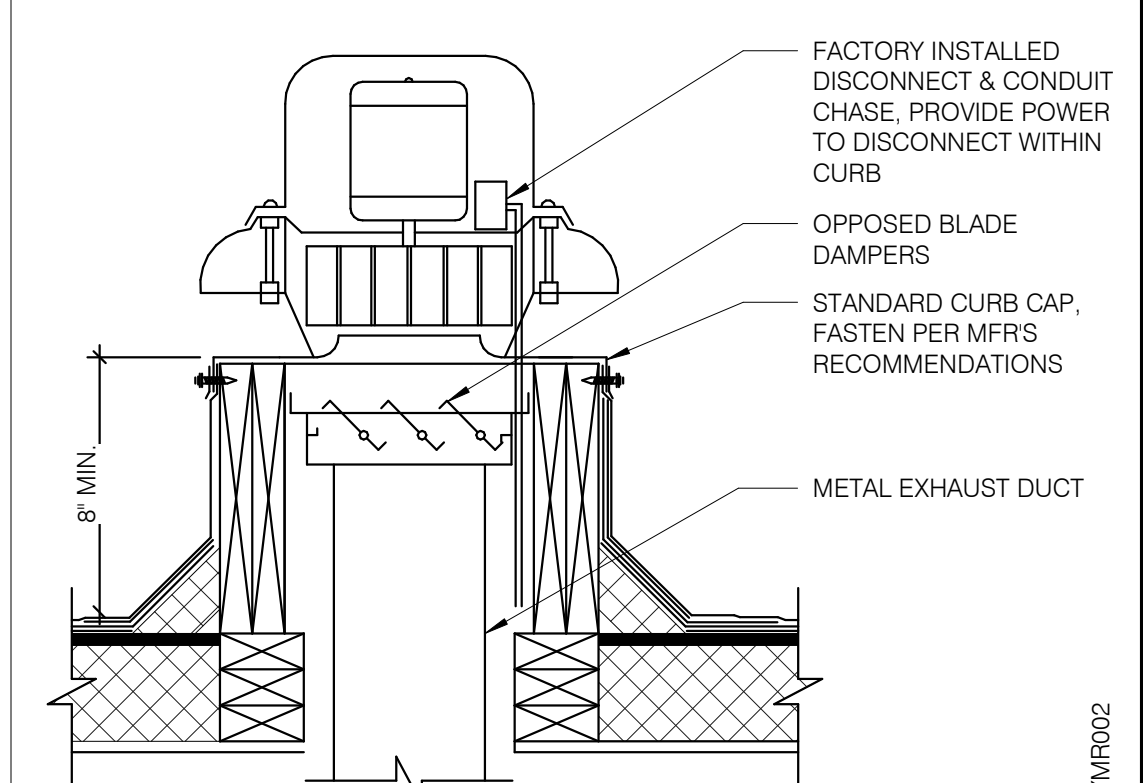
EXHAUST FAN (EF-1) NTS **3**



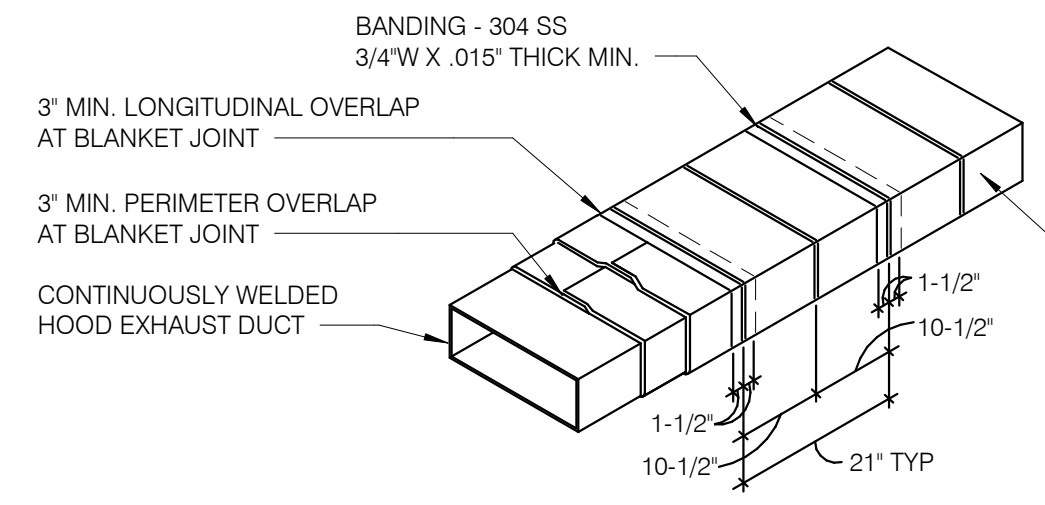
ROD ATTACHMENT NTS **7**



BOLT CONNECTION TO HOOD NTS **5**

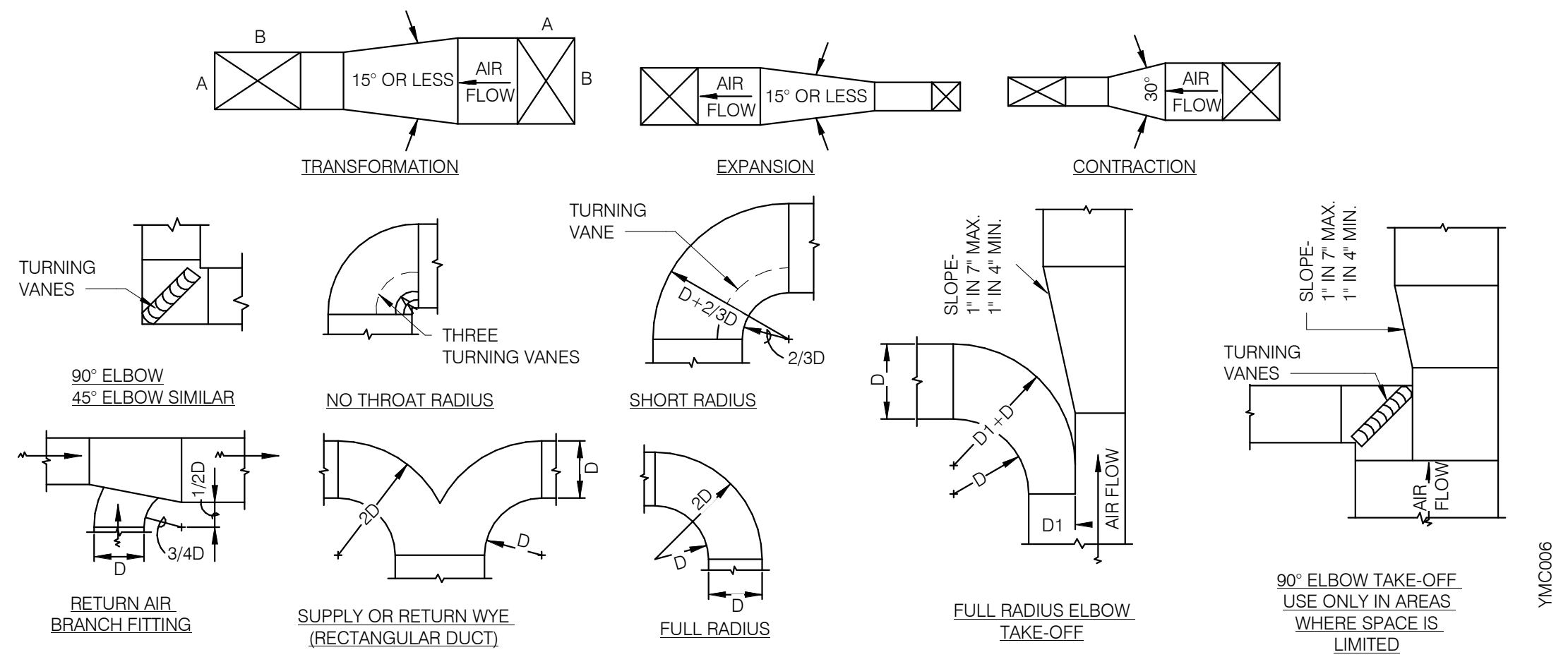


RESTROOM FAN (EF-2) NTS **2**

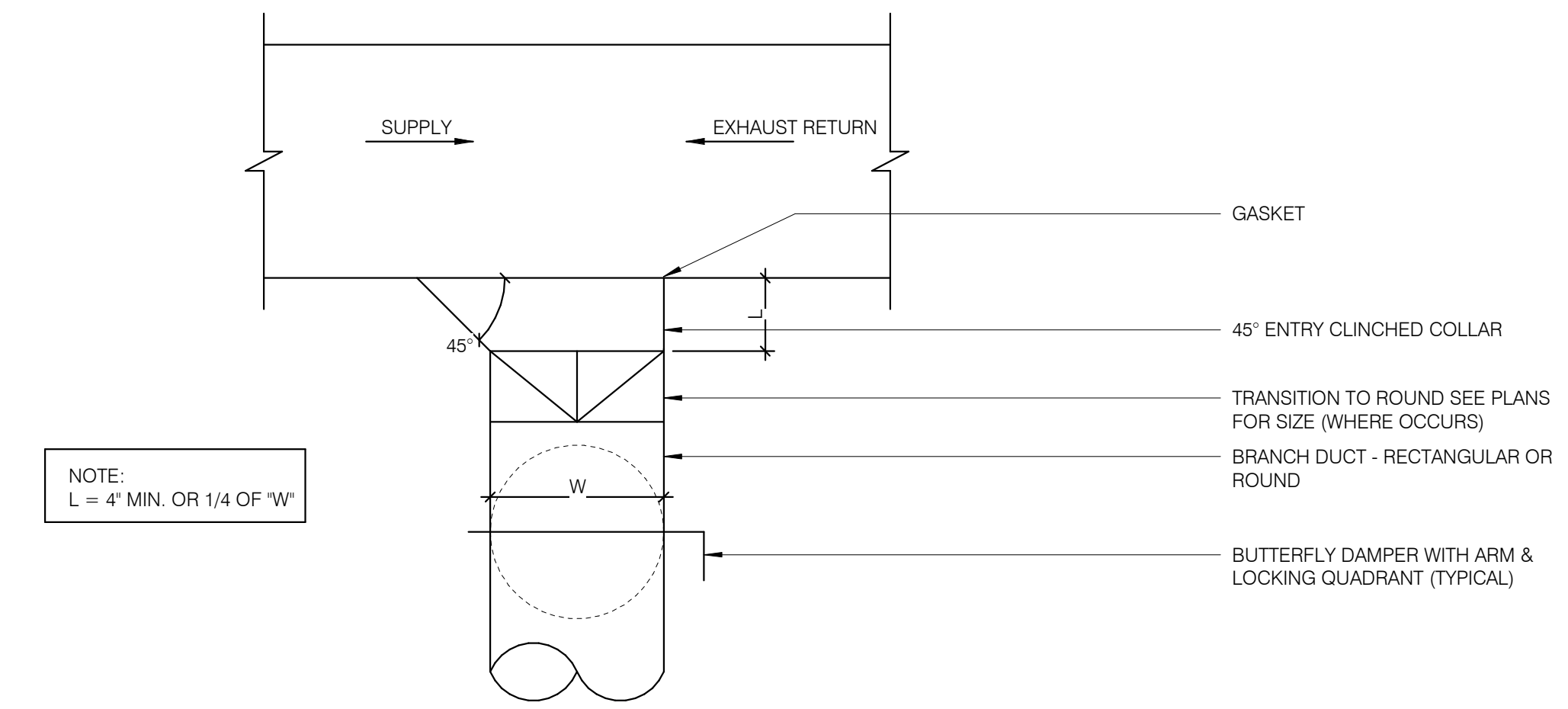


- NOTES:**
1. WRAP GREASE DUCT CONTINUOUS AS SHOWN FROM CONNECTION AT FAN THROUGH CURB AND EXTEND 18" MIN. BELOW ROOF DECK.
 2. FOR HORIZONTAL RUNS OF EXHAUST DUCTS PROVIDE TYPICAL TRAPEZE SUPPORT SYSTEM WITH 1/2" HANGER RODS A MAXIMUM OF 6' FROM INSULATION EDGE. TRAPEZE SUPPORTS SHALL BE SPACED A MAXIMUM OF 60" ON CENTER FROM CENTERLINE OF VERTICAL EXHAUST DUCT.
 3. SLOPE HORIZONTAL EXHAUST DUCT RUNS A MINIMUM OF 1/4" PER FOOT (2% SLOPE) TOWARDS EXHAUST HOOD.
 4. PROVIDE INSULATED ACCESS DOOR OR PANEL NEAR MID POINT OF EXHAUST DUCT RUN FOR CLEANING AND INSPECTION OF DUCT. PROVIDE AN APPROVED SIGN ON ACCESS DOOR OR PANEL WHICH READS 'ACCESS PANEL DO NOT OBSTRUCT.'

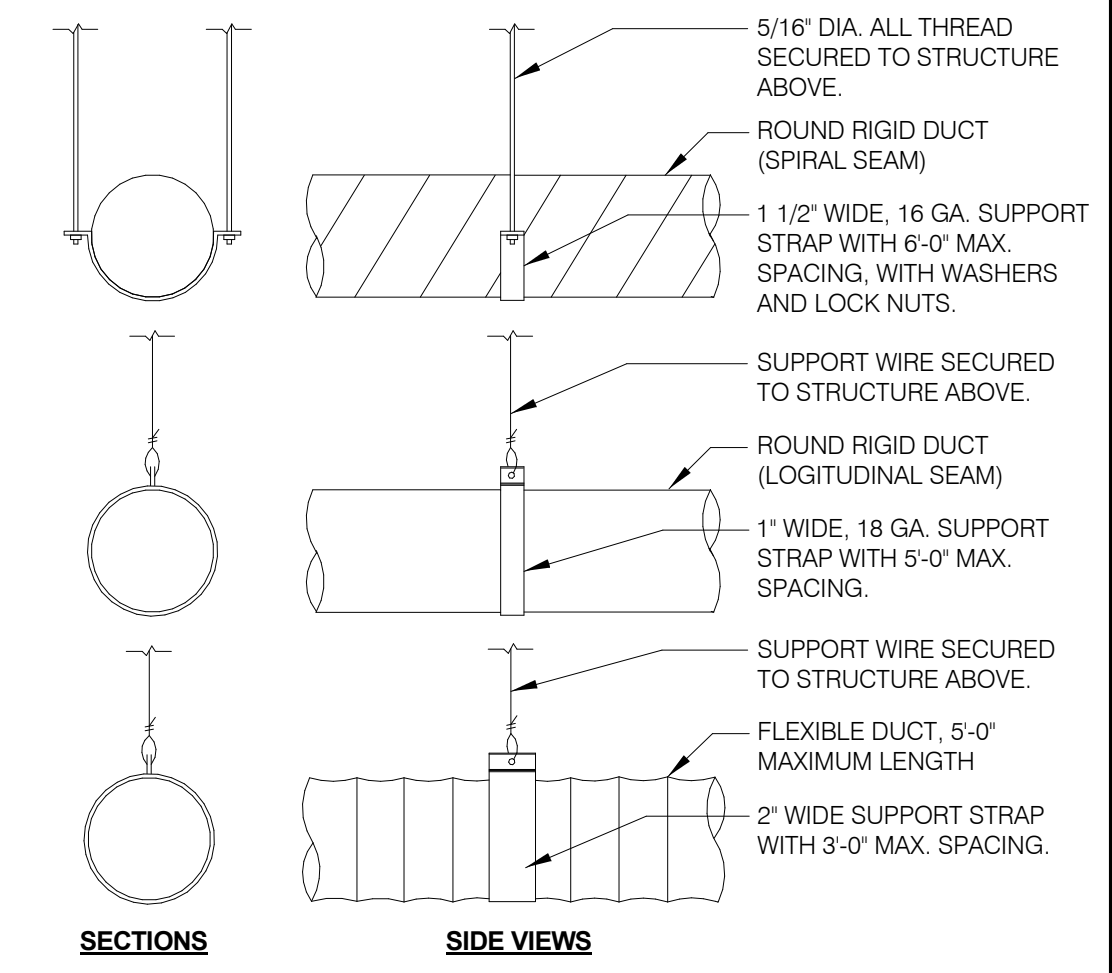
KITCHEN HOOD EXHAUST DUCT SYSTEM DETAIL NTS **10**



TYPICAL DUCTWORK DETAILS NTS **9**



CEILING DIFFUSER CONNECTIONS NTS **4**



DUCT SUPPORT DETAIL NTS **1**

DATE	REMARKS
03.17.22	Issued for Bid

CONTRACT DATE: 10.06.21
BUILDING TYPE: END, MED20
PLAN VERSION: MARCH 2021
BRAND DESIGNER: DICKSON
SITE NUMBER: 0
STORE NUMBER: 0
PA/PM: SM
DRAWN BY.: RV
JOB NO.: 2020188.06

TACO BELL
3039 Dixie Hwy,
Edgewood, KY 41017



ENDEAVOR 2.0 MECHANICAL DETAILS

M4.0



520 S. MAIN STREET, SUIT 2531
AKRON, OH 44311
330.572.2100 FAX: 330.572.2102

- SOIL AND WASTE PIPE SHALL SLOPE 2% MINIMUM, UNLESS OTHERWISE NOTED OR REQUIRED BY CODE.
- ALL DRAWN WATER & GAS LINES SHALL BE KEPT TIGHT TO UNDERSIDE OF EQUIPMENT & SECURED IN PLACE.
- VERIFY LOCATION OF SANITARY SEWER ON SITE PLAN AND REVISE SEWER SYSTEM AS REQUIRED.
- PROVIDE TRAP PRIMERS FOR FLOOR DRAINS IN RESTROOMS, WHERE REQUIRED BY CODE. PROVIDE DEEP SEAL TRAPS FOR FLOOR DRAINS WITHOUT TRAP PRIMERS.
- CLEANOUTS SHALL BE INSTALLED WHERE READILY ACCESSIBLE. COORDINATE ALL CLEANOUT LOCATIONS WITH EQUIPMENT, CABINETS, ETC. AND OWNERS REPRESENTATIVE PRIOR TO INSTALLATION.
- VALVES, TRAP PRIMERS, WATER HAMMER ARRESTORS AND OTHER EQUIPMENT SHOWN IN WALLS OR ABOVE NON-ACCESSIBLE CEILING SHALL BE INSTALLED BEHIND AN ACCESS PANEL.
- PLUMBING FIXTURE VENTS SHALL TERMINATE MINIMUM OF 12 INCHES FROM VERTICAL SURFACES AND 10 FEET FROM OUTSIDE AIR INTAKES.
- PROVIDE GAS PIPING TO UNITS AND MAKE FINAL CONNECTIONS REQUIRED FOR OPERATION.
- PROVIDE SHUT-OFF VALVES ON HOT & COLD WATER LINES TO FIXTURES AND APPLIANCES. ALL EXPOSED WATER AND WASTE LINES SHALL BE CHROME PLATED.
- PROVIDE LEVER HANDLE GAS SHUT-OFF VALVE IN BRACH PIPING OF EACH APPLIANCE. INSTALL OWNER FURNISHED QUICK DISCONNECT, FLEXIBLE PIPE (IF ALLOWED BY CODE) AND RESTRAINING DEVICE. PROVIDE PRESSURE REDUCING VALVES AT EACH PIECE OF EQUIPMENT OR APPLIANCE IF GAS PRESSURE IS GREATER THAN 10" WC DOWSTREAM OF THE GAS METER.
- VALVES, UNIONS, ETC. SHALL BE SAME SIZE AS PIPE UNLESS OTHERWISE INDICATED.
- REFER TO KITCHEN EQUIPMENT DRAWINGS FOR PLUMBING ROUGH-IN REQUIREMENTS. MAKE ALL ROUGH-IN AND FINAL CONNECTIONS TO KITCHEN EQUIPMENT UNLESS OTHERWISE NOTED.
- REFER TO MECHANICAL DRAWINGS FOR HVAC AND HOOD PLUMBING REQUIREMENTS.
- GAS LINES SHALL BE SUPPORTED.
- FLOOR SINKS AND FLOOR DRAINS IN TRAFFIC AREAS SHALL BE INSTALLED FLUSH WITH FLOOR SURFACE.
- PROVIDE WATER HAMMER ARRESTOR FOR ALL HAND SINKS AND URINAL WATER LINES.
- PROVIDE AIR GAPS FOR INDIRECT DRAINS AS REQUIRED BY CODE. AIR SHALL BE MINIMUM 2 TIMES DIAMETER OF INDIRECT DRAIN.
- VERIFY DEPTH, SIZE, LOCATION, AND CONDITION OF ALL EXISTING UTILITIES IN THE FIELD PRIOR TO COMMENCING WORK ON PROJECT. NOTIFY OWNER IMMEDIATELY OF CONDITIONS THAT EXIST WHICH WOULD CAUSE THE DESIGN TO BE ALTERED.
- COORDINATE INSTALLATION OF PLUMBING WORK WITH OTHER TRADES SO AS TO AVOID UNNECESSARY DELAY OR INTERFERENCES. REVIEW ARCHITECTURAL AND EQUIPMENT SHEETS.
- PROVIDE BACKFLOW PROTECTION DEVICES REQUIRED BY AGENCIES HAVING JURISDICTION. BACKFLOW DEVICES REQUIRING TESTING SHALL BE INSTALLED NO HIGHER THAN 5'-0" A.F.F.
- PROVIDE CONDENSATE DRAIN FROM A/C UNITS TO APPROVED DRAIN. PROVIDE GAS PIPING TO UNITS. MAKE FINAL CONNECTIONS REQUIRED FOR OPERATION.
- THE OWNER OR KITCHEN EQUIPMENT SUPPLIER MAY SUBSTITUTE EQUIPMENT OR EQUIPMENT MAY VARY FROM WHAT IS SHOWN. THEREFORE, VERIFY ALL CRITICAL DIMENSIONS WITH OWNER PRIOR TO CONSTRUCTION. FAILURE OF CONTRACTOR TO VERIFY THESE DIMENSIONS SHALL PLACE RESPONSIBILITY FOR SUBSEQUENT RELOCATION DIRECTLY UPON CONTRACTOR.
- ALL WATER LINES SHALL BE RUN OVERHEAD UNLESS OTHERWISE NOTED.
- ALL WATER LINES SHALL BE FLUSHED PRIOR TO CONNECTING FIXTURES OR EQUIPMENT.
- PROVIDE ESCUTCHEON PLATES AND SILICONE SEALANT AT UTILITY PENETRATIONS INTO WALLS, CEILINGS, AND FLOORS. DO NOT USE CAULKS OR EXPANDING FOAMS FOR SEALANT.
- CPVC SCHEDULE 40 WASTE PIPE CAN BE SUBSTITUTED FOR BLACK IRON WASTE PIPE WHERE ALLOWED BY LOCAL MUNICIPALITIES.

GENERAL NOTES - PLUMBING NTS **4**

SYMBOLS	ABBREV.	DESCRIPTION
	Y.B.	YARD BOX
	R.D.	ROOF DRAIN
	A.P.	ACCESS PANEL
	V.T.R.	VENT THRU ROOF
	V.B.F.	VENT BELOW FLOOR
	U.T.R.	UP THRU ROOF
	V.C.P.	VITRIFIED CLAY PIPE
	C.I.	CAST IRON
	(TYP.)	TYPICAL
	(N)	NEW
	(E)	EXISTING
	F.D.	FLOOR DRAIN
	H.D.	HUB DRAIN
	O.F.D.	OVERFLOW DRAIN
	F.S.	FLOOR SINK
	G.L.	GAS LINE
	A.F.F.	ABOVE FINISHED FLOOR
		PLUMBING EQUIPMENT DESIGNATION
		KITCHEN EQUIPMENT NUMBER: REFER TO KITCHEN EQUIPMENT DRAWINGS FOR DESCRIPTION.
	SS	SOIL OR WASTE (SANITARY)/WASTE STUB
	GW	SOIL OR WASTE (GREASE WASTE)/WASTE STUB
	G	GAS / GAS STUB
	CW	COLD WATER/ CW STUB
	HW	HOT WATER / HW STUB
	HWR	HOT WATER RETURN
	V	SANITARY VENT
	S.D.	STORM DRAIN
	C.D.	CONDENSATE DRAIN
	C.O.	CLEANOUT
	F.C.O.	FLOOR CLEANOUT
	W.C.O.	WALL CLEANOUT
	FW	FILTERED WATER
	TW	PREMIXED TEMPERATURE WATER
	H.B.	HOSE BIBB
	S.O.V.	SHUT-OFF GATE VALVE
	S.O.C.	SHUT-OFF GAS COCK
	C.V.	CHECK VALVE
	P.T.R.V.	PRESS-TEMPERATURE RELIEF VALVE
	B.V.	BALL VALVE
	C.W.	COLD WATER BELOW GRADE
	E.C.O.	EXTERIOR CLEAN OUT
	BFP	BACK FLOW PREVENTER
	FU	FIXTURE UNIT

PLUMBING LEGEND NTS **3**

FIXTURE	NO.	DRAIN		COLD WATER		HOT WATER	
		D.F.U.	TOTAL D.F.U.	F.U. C.W.	TOTAL C.W.	F.U. H.W.	TOTAL H.W.
WATER CLOSET	2	4	8	5	10	--	--
URINAL	0	5	--	5	--	--	--
LAVATORY	2	1	2	1.5	3	1.5	3
HAND SINK	2	2	4	1.5	3	1.5	3
PREP SINK *	1	--	--	2	2	2	2
3 - COMPARTMENT SINK *	1	--	--	3	3	3	3
HOSE BIBB/WATER FILTRATION UNIT	2/1	--	--	5/0.5	12	--	--
FLOOR DRAIN	7	3	21	--	--	--	--
HUB DRAIN	2	2	4	--	--	--	--
FLOOR SINK	4	3	12	--	--	--	--
MOP SINK	1	3	3	2.25	2.25	2.25	2.25
RETHERMALIZER *	1	--	--	--	--	1.0	1.0
TOTAL	--	--	54	--	35.25	--	14.25

PROBABLE DEMANDS/ AND PIPE SIZING REQUIREMENTS: COLD WATER: 35.25 FU = 25.4 GPM DRAIN: GW 29 DFU DRAIN: SAN 25 DFU HOT WATER: 14.25 FU = 17.875 GPM USE 1-1/2" CW SERVICE USE 4" SANITARY (MIN) USE 4" SANITARY (MIN) USE 1-1/4" HW SERVICE

BASED ON KENTUCKY STATE PLUMBING CODE(COMBINATION DRAIN & VENT). *FIXTURE HAS INDIRECT WASTE TO FLOOR SINK

PLUMBING FIXTURE COUNT NTS **2**

ITEM	FIXTURE	SOIL OR WASTE	VENT	COLD WATER	HOT WATER	TEMPD WATER	WASTE FU	WATER FU	DESCRIPTION	MANUFACTURER / MODEL NUMBER	
	ECO 1	EXTERIOR CLEANOUT	--	--	--	--	--	--	CAST IRON CLEANOUT WITH THREADED ADJUSTABLE HOUSING, ROUND SCORIATED HEAVY CAST IRON COVER.	JOSAM / MODEL: 56000 WADE / MODEL: 6000Z ZURN / MODEL: Z-1400	
	FS 1	FLOOR SINK	4"	2"	--	--	6	--	PVC 12" SQUARE FLOOR SINK, 8" DEEP, WITH ALUMINUM OR PVC DOME STRAINER AND LOOSE SET PVC SLOTTED TOP GRATE. SET FLOOR SINK LIP FLUSH WITH FLOOR TILE.	JOSAM / MODEL: JPF54-PVC ZURN / MODEL: FD-2370-PV4-DS-F	
	FS 2	FLOOR SINK	3"	2"	--	--	6	--	CAST IRON 12" SQUARE FLOOR SINK, 8" DEEP, WITH ALUMINUM DOME STRAINER AND NICKEL BRONZE HINGED TOP.	JOSAM / MODEL: 49034AS WADE / MODEL: 9144 ZURN / MODEL: Z-1900-32	
	FD 1	FLOOR DRAIN	3"	2"	--	--	2	--	PVC FLOOR DRAIN, 5" DIA. IF PVC OR ABS DRAINS ARE USED, SCHEDULE 80 PVC DRAIN PIPE SHALL BE USED FOR THE FIRST 10' 0" FROM THE DRAIN.	ZURN / MODEL: FD-2210 JOSAM / MODEL: 30003-A WADE / MODEL: 1103	
	HD 1	HUB DRAIN	3"	2"	--	--	2	--	CAST IRON DEEP SEAL P-TRAP WITH FUNNEL, NO-HUB OUTLET AND BRASS GASKETED CLEANOUT PLUG.	JOSAM / MODEL: 88213 WADE / MODEL: 2453EF ZURN / MODEL: Z-1019	
	ECO 1	FLOOR CLEANOUT	--	--	--	--	--	--	CAST IRON CLEANOUT WITH THREADED ADJUSTABLE HOUSING, ROUND SCORIATED HEAVY CAST IRON COVER.	JOSAM / MODEL: 56000 WADE / MODEL: 6000Z ZURN / MODEL: Z-1400	
	WCC 1	WALL CLEANOUT	--	--	--	--	--	--	CAST IRON CLEANOUT TEE WITH INLET/OUTLET SPIGOT AND THREADED BRASS PLUG, WITH STAINLESS STEEL ACCESS COVER.	JOSAM / MODEL: 58510 WADE / MODEL: 8560E ZURN / MODEL: Z-1446-BP	
	HB 1	HOSE BIBB	--	--	3/4"	--	--	2.5/1	NON-FREEZE WALL HYDRANT WITH INTEGRAL VACUUM BREAKER, BRONZE CASING AND NICKEL BRONZE BOX.	JOSAM / MODEL: 71000 WADE / MODEL: 8600L ZURN / MODEL: Z-1300	
	WC 1	WATER CLOSET	4"	2"	1/2"	--	4	2	WHITE VITREOUS CHINA FLOOR MOUNTED FLUSHOMETER TANK (PRESSURE ASSISTED) TYPE, ELONGATED BOWL, ADA COMPLIANT, 1.1 GPF, WITH OPEN FRONT SEAT LESS COVER, OLSONITE #95 OR EQUIVALENT. FLUSHOMETER TANK: SLOAN FLLUSHMATE OR EQUAL. PROVIDE TANK COVER LOCKS. FLUSH VALVES SHALL BE RIGHT HAND OR LEFT HAND AS REQUIRED TO CORRESPOND WITH ACCESS FROM WIDE SIDE OF STALL. VERIFY FLUSH SIDE REQUIREMENTS.	AM. STD. "CADET" / MODEL: 2467.100 KOHLER "HIGHLINE" / MODEL: K-3519 CRANE "ECONMISER" / MODEL: 31888	
	L 1	LAVATORY	1-1/4"	1-1/2"	1/2"	--	1/2"	1.5	WHITE VITREOUS CHINA, WALL HUNG, WITH CONCEALED ARMS SUPPORT, 4" CENTERS, WITH INTEGRAL BACKSPASH, ADA ACCESSIBLE. FLAT GRID STRAINER. BRAIDED WATER LINES. FAUCET: FURNISHED BY OWNER-INSTALLED BY G.C. ELECTRONIC SENSOR TYPE FAUCET. SLOAN SF-2300, ADA COMPLIANT. SEE 5/P6.0 FOR LAV SUPPORT DETAIL, 0.5 GPM AERATOR	A.S. COMRADE / MODEL: 0124.131 CRANE "HARWICH" / MODEL: 1412V	
	S 1	HAND SINK	1-1/2"	1-1/2"	1/2"	--	1/2"	2	1.5	S-1: STAINLESS STEEL HAND SINK, WALL HUNG, INCLUDES A 6" GOOSENECK STAINLESS. FAUCET W/SINGLE KNEE PEDAL. BRAIDED WATER LINES, 0.5 GPM AERATOR.	-- -- --
	S 2	MOP SINK	3"	2"	1/2"	1/2"	--	3	2.25	MOP SINK: AERO - 3MP-2121-6 W/ 48" HIGH S.S. LEFT SIDE AND BACK-SPLASH. FURNISHED BY OWNER. INSTALLED BY CONTRACTOR. FAUCET: T&S #B2465, WITH VACUUM BREAKER, FURNISHED BY OWNER, INSTALLED BY CONTRACTOR.	-- -- --
	S 3	3-COMP. SINK	INDIRECT	--	1/2"	1/2"	--	3	--	SINK, FAUCET & DRAIN, GEN IV POWER SOAK STANDARD, GEN III IS AN OPTION FOR FRANCHISES	-- -- --
	S 4	PREP SINK	INDIRECT	--	1/2"	1/2"	--	3	--	SINK, FAUCET AND DRAIN	-- -- --
	GI 1	GREASE INTERCEPTOR	4"	--	--	--	--	--	PRECAST 1,000 GALLON GREASE INTERCEPTOR WITH SAMPLING BOX. SEE SITE PLAN FOR EXTERIOR GREASE INTERCEPTOR LOCATION.	JENSEN / JP1000G -- --	
	MV 1	MIXING VALVE	--	--	1/2"	1/2"	--	--	THERMOSTATIC, 125 P516, 200VF BRONZE BODY, STAINLESS STEEL PISTON LINER, CHECK VALVES SIZE PER PIPE CONNECTIONS.	POWERS SERIES LFLM495 LAWLER SERIES 310 LEONARD SERIES 170	
	WH 1	WATER HEATER	--	--	3/4"	3/4"	--	--	CONDENSING, TANKLESS, GAS WATER HEATER, 199,000 BTUH INPUT, 120 VOLT, 1 PHASE, 4 AMPS, 0.26 GPM - 9.8 GPM. REFER TO MANUFACTURER'S INSTALLATION INSTRUCTIONS FOR ADDITIONAL INFORMATION.	RINNAI / CU-199IN STATE / SCT-199IN --	
	ET 1	EXPANSION TANK	--	--	3/4"	--	--	--	EXPANSION TANK, STEEL, EXPANSION MEMBRANE 150 PSI, 160° F, 12 GALLON CAPACITY.	WATTS SERIES DETA AMTROL SERIES ST WILKINS SERIES WXTP	
	BFP 1	BACKFLOW PREVENTOR	--	--	VERIFY	--	--	1	REDUCED PRESSURE ZONE BACKFLOW PREVENTER, CAST BRONZE CONSTRUCTION WITH QUARTER TURN FULL-PORT BALL VALVES AND BRONZE STRAINER.	WATTS / MODEL: LF009M2OTS WILKINS / MODEL: 975XLS FEBCO / MODEL: 860	
	RO 1	REVERSE OSMOSIS	INDIRECT	--	1/2"	--	--	--	REVERSE OSMOSIS FILTER SYSTEM BY OWNER. SEE DETAIL 9/P6.0	-- -- --	
	RP 1	RECIRC PUMP	--	--	--	1/2"	--	--	0.5 GPM @5 FEET HEAD. PROVIDE WITH CHECK VALVE, BALANCE VALVE, AND AQUASTAT.	TACO 009 -- --	

PLUMBING FIXTURE SCHEDULE NTS **1**

DATE	REMARKS
1 03.17.22	Issued for Bid

CONTRACT DATE: 10.06.21
BUILDING TYPE: END, MED20
PLAN VERSION: MARCH 2021
BRAND DESIGNER: DICKSON
SITE NUMBER: 0
STORE NUMBER: 0
PA/PM: SM
DRAWN BY.: RV
JOB NO.: 2020188.06

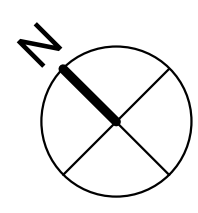
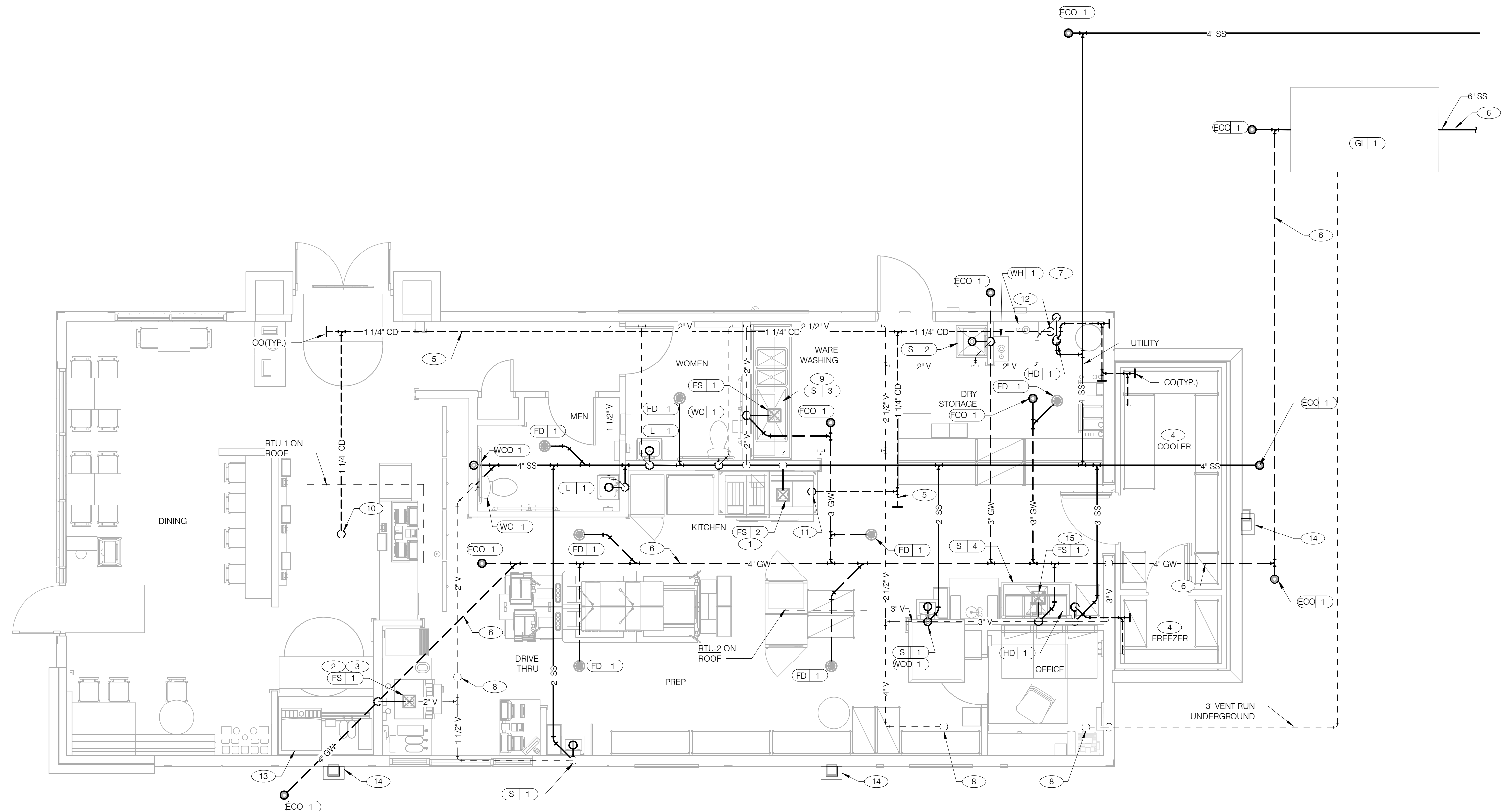
TACO BELL

3039 Dixie Hwy,
Edgewood, KY 41017



ENDEAVOR 2.0 PLUMBING SCHEDULES AND NOTES

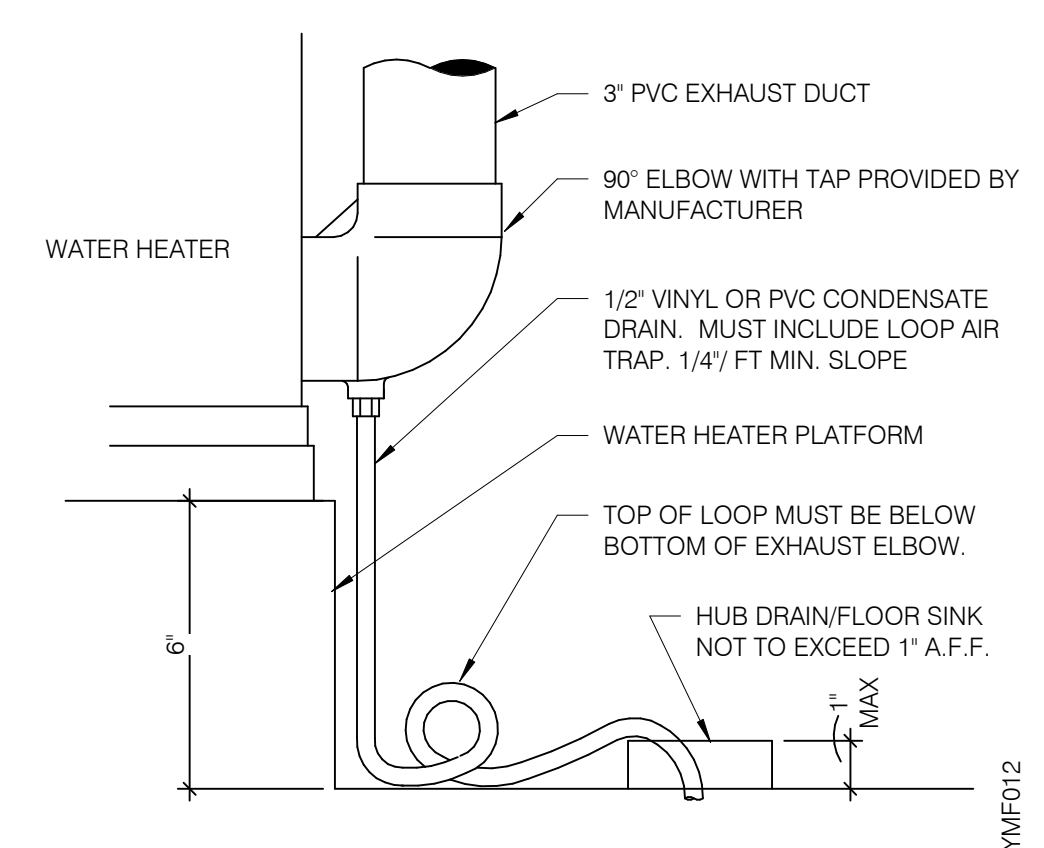
P1.0



DATE	REMARKS
03.17.22	Issued for Bid

CONTRACT DATE: 10.06.21
 BUILDING TYPE: END, MED20
 PLAN VERSION: MARCH 2021
 BRAND DESIGNER: DICKSON
 SITE NUMBER: 0
 STORE NUMBER: 0
 PA/PM: SM
 DRAWN BY.: RV
 JOB NO.: 2020188.06

WASTE & VENT PIPING PLAN 1/4" = 1'-0" **1**



WATER HEATER CONDENSATE DETAIL NTS **4**

- A. NO ROOF PENETRATIONS PERMITTED WITHIN ROOF WATER PLY. REFER TO ROOF PLAN FOR LOCATIONS.
- B. REFER TO RISER DIAGRAM ON SHEET P5.0 FOR ALL WASTE AND VENT SIZES.
- C. SEE ARCHITECTURAL PLANS FOR DOWNSPOUT LOCATIONS
- D. VERIFY WITH THE LOCAL BUILDING AUTHORITY THAT CONDENSATE DRAINAGE CAN BE ROUTED TO THE HUB DRAIN.

WASTE & VENT PLAN NOTES NTS **3**

- 1 UNDERGROUND SANITARY PIPE SHALL BE NO HUB CAST IRON PIPE FOR THE FIRST 10 FEET FROM CONNECTION TO FLOOR SINK FS-2, OUTWARD.
- 2 PROVIDE CONDENSATE LINE AND DRAIN LINE FROM ICE MACHINE TO HD / FS. PROVIDE AIR GAP PER LOCAL CODE.
- 3 PROVIDE WASTE LINES FROM BEVERAGE UNIT TO HD / FS, PROVIDE AIR GAP PER LOCAL CODE.
- 4 PROVIDE 3/4" COPPER CONDENSATE FROM DRAIN PROVIDED BY VENDOR TO OUTFALL AT HUB DRAIN/MOP SINK (HEAT ROPE IS SUPPLIED WITH FREEZER CONDENSATE). CONCEAL CONDENSATE PIPE IN WALL.
- 5 PVC OR COPPER CONDENSATE DRAIN FROM HVAC UNITS ON ROOF. RUN TO HUB DRAIN. PIPING SHALL SLOPE 1/4" PER FOOT AND SHALL BE INSULATED WITH 1" CLOSED CELLULAR INSULATION. REFER TO RISER DIAGRAM ON SHEET P5.0 FOR PIPE SIZES.
- 6 ENTIRE RUN OF DRAIN LINES TO INLET OF EXTERIOR GREASE INTERCEPTOR AND OUTBOUND FROM INTERCEPTOR TO CONNECTION AT SANITARY MAIN SHALL BE SCHEDULE 40 PVC DWV OR AS REQUIRED BY AUTHORITY HAVING JURISDICTION.
- 7 ROUTE INDIRECT WASTE FROM WH-1 TO HD-1. REFERENCE DETAIL 2/P6.0 AND DETAIL 4/P2.0.
- 8 4" VENT UP THROUGH ROOF.
- 9 PIPE 3-COMPARTMENT SINK TO FLOOR SINK WITH AIR GAP PER CODE.
- 10 1-1/4" CONDENSATE DRAIN DOWN FROM RTU-1. SEE DETAIL 10/P6.0.
- 11 1-1/4" CONDENSATE DRAIN DOWN FROM RTU-2. SEE DETAIL 10/P6.0.
- 12 CONDENSATE DRAIN PIPE DOWN TO HUB DRAIN. PROVIDE AIR GAP AS REQUIRED BY CODE. IF REQUIRED RUN CONDENSATE PIPING TO EXTERIOR DRYWELL, RETENTION AREA OR STORM SEWER AS DIRECTED BY AUTHORITY HAVING JURISDICTION. ALTERNATIVELY, CONDENSATE FROM RTUS MAY BE ROUTED TO ROOF DOWNSPOUTS IF AUTHORITY HAVING JURISDICTION ALLOWS.
- 13 RUN DRAIN LINE FROM S/S DRINK MACHINE THROUGH WALL OPENING. TO OUTFALL AT FS BENEATH D/T DRINK MACHINE.
- 14 DOWN SPOUT. SEE CIVIL PLANS FOR CONTINUATION.
- 15 ROUTE DRAIN FOR REVERSE OSMOSIS DISCHARGE TO FLOOR SINK. ENSURE PROPER AIR GAP.

KEYNOTES - WASTE AND VENT NTS **2**

TACO BELL

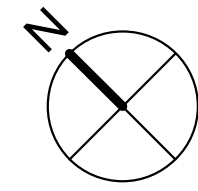
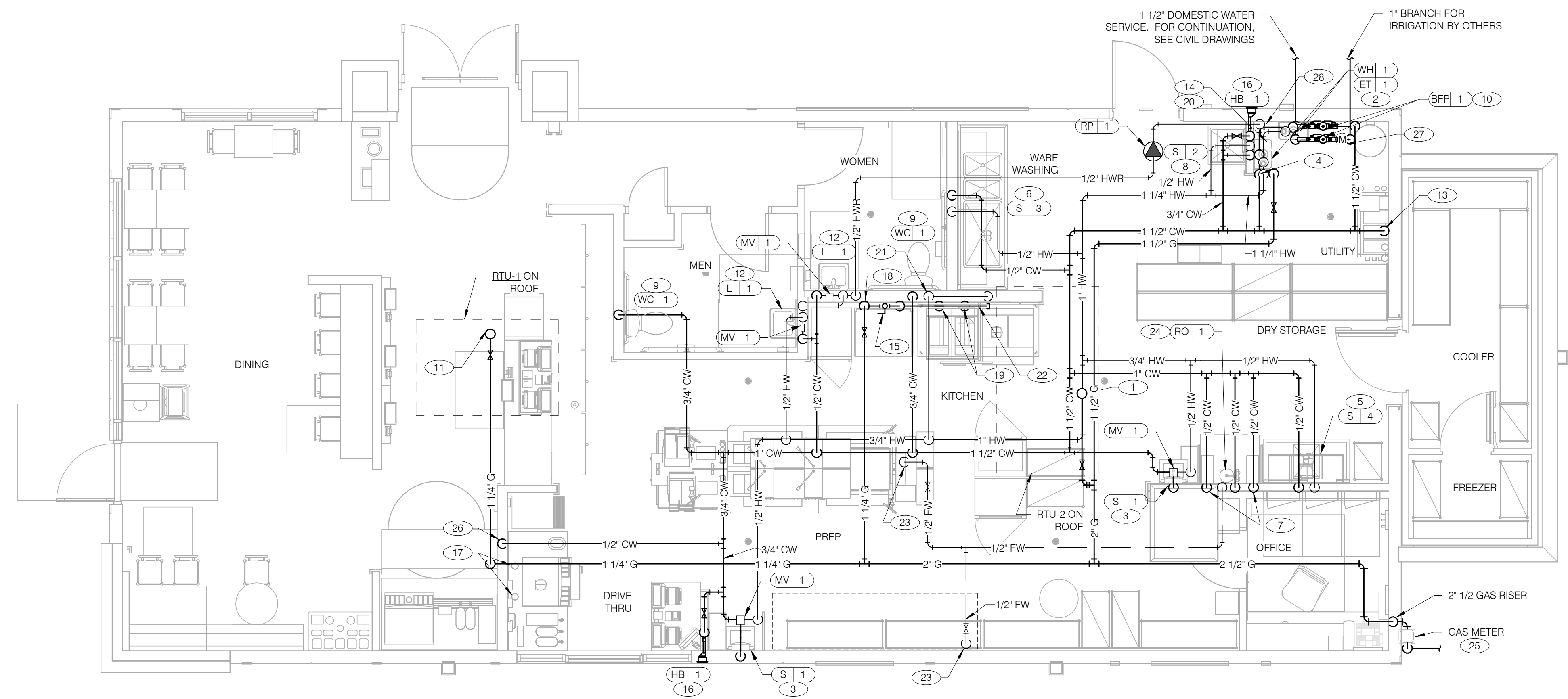
3039 Dixie Hwy,
Edgewood, KY 41017



**ENDEAVOR 2.0
WASTE AND
VENT PLAN**

P2.0

PLOT DATE: 5/4/2022 2:28:13 PM



WATER & GAS PLAN 1/4" = 1'-0" **1**

- A. NO ROOF PENETRATIONS PERMITTED WITHIN ROOF "WATER VALLEYS". REFER TO ROOF PLAN FOR LOCATIONS.
- B. REFER TO SHEET P4.0 FOR ROUGH-IN LOCATIONS.
- C. REFER TO SHEET P5.0 FOR WATER AND GAS ISOMETRIC DRAWINGS.
- D. FLUSH ALL WATER SUPPLY LINES OF ALL DEBRIS AND IMPURITIES PRIOR TO CONNECTING TO WATER FILTERS.
- E. PROVIDE REDUCED PRESSURE BACKFLOW PREVENTER TO SERVE CARBONATOR. DRAIN RELIEF TO FLOOR SINK WITH AIR GAP

- 1 1-1/4" (180 CFH) GAS UP TO RTU-2 WITH DIRT LEG, GAS COCK AND UNION.
- 2 1-1/4" (199 CFH) GAS DOWN TO WATER HEATER WITH GAS COCK, DIRT LEG AND UNION.
- 3 1/2" TEMPERED WATER DOWN IN WALL TO HAND SINK.
- 4 1-1/2" COLD AND 1-1/4" HOT WATER LINES DOWN TO WATER HEATER.
- 5 1/2" HOT AND COLD WATER LINES DOWN IN WALL TO PREP SINK.
- 6 1/2" COLD AND HOT WATER LINES DOWN IN WALL TO THREE COMPARTMENT SINK.
- 7 1/2" COLD WATER 2'-0" A.F.F. . CONNECT TO WATER FILTER FOR HOT WATER SYSTEM P-452. PROVIDE SHUT-OFF VALVE PRIOR TO CONNECTION TO WATER FILTER.
- 8 1/2" COLD AND HOT WATER DOWN IN WALL TO MOP SINK.
- 9 3/4" CW DOWN IN WALL TO FLUSH TANK WATER CLOSET .
- 10 REDUCED PRESSURE BACKFLOW PREVENTER LOCATED PER LOCAL UTILITY REQ'S. PIPE RELIEF TO HUB DRAIN.
- 11 1" (180 CFH) GAS UP TO RTU-1 WITH DIRT LEG, GAS COCK AND UNION.
- 12 ROUTE 1/2" HW MAIN DOWN TO LAVATORY PER ENERGY CODE.
- 13 3/4" CW DOWN ALONG WALL TO WATER FILTER S-540.
- 14 WATER HEATER (WH-1). PIPE CONDENSATE LINE. T&P DISCHARGE AND DRAIN PAN TO HUB DRAIN. SEE WATER HEATER DETAIL 2/P6.1.
- 15 EMERGENCY GAS SHUT OFF VALVE LOCATED BELOW CEILING.
- 16 3/4" CW DOWN IN WALL TO EXTERIOR HOSE BIBB.

- 17 BUNDLED SYRUP LINES TO BEVERAGE DISPENSERS S-284 & S-285 AND FILTERED WATER LINES TO ICE MAKERS S-513 AND FROZEN BEVERAGE DISPENSER S-546. SEE DRAWINGS A2.0 AND P5.0.
- 18 1-1/4" GAS DOWN ALONG WALL TO COOKING EQUIPMENT. VERTICAL GAS PIPING IN WALL SHALL NOT BE RIGIDLY SECURED AND ADEQUATE PIPE PROTECTION SHALL BE PROVIDED.
- 19 3/4" GAS DIRT LEG W/ GAS COCK TO COOKING EQUIPMENT. PROVIDE FLEXIBLE GAS HOSE KIT FOR CONNECTION TO COOKING EQUIPMENT.
- 20 3" PVC EXHAUST AND INTAKE FLUES FROM WATER HEATER. PIPE THROUGH ROOF AS RECOMMENDED BY MANUFACTURER TO LOCATIONS SHOWN ON SHEET M2.0. SEE DETAIL 1/P6.1.
- 21 1/2" HOT WATER DOWN IN WALL TO RETHERMALIZER C-107. PROVIDE SHUT-OFF VALVE OUTSIDE OF WALL FOR CONNECTION TO RETHERMALIZER.
- 22 RUN GAS PIPE 18" A.F.F. WITH DIRT LEGS FOR GAS HOSE KITS TO COOKING EQUIPMENT C-026 AND C-107.
- 23 1/2" RO WATER PIPE DOWN IN WALL AND ROUTED IN LOW WALL OF DRY PRODUCTION LINE. PROVIDE SHUT-OFF VALVE ON RO PIPING IN CEILING NEAR CHASE.
- 24 1/2" COLD WATER TO REVERSE OSMOSIS FILTER P-315 AND 1/2" FILTER WATER FROM REVERSE OSMOSIS FILTER. PROVIDE SHUT-OFF VALVE ON CW PIPE PRIOR TO CONNECTION TO FILTER. SEE DETAIL 9/P6.0.
- 25 GAS METER, REGULATOR, VALVES, BRACKETS, ETC. AS REQUIRED BY LOCAL GAS COMPANY. SEE CIVIL DRAWINGS FOR CONTINUATION.
- 26 1/2" COLD WATER. CONNECT TO WATER FILTER FOR BUNN POD BREWER S-547. PROVIDE SHUT-OFF VALVE PRIOR TO CONNECTION TO WATER FILTER.
- 27 1" DUCT METER FOR IRRIGATION SYSTEM.
- 28 1/2" HOT WATER RETURN DOWN TO WATER HEATER HOT WATER RETURN INLET.

WATER & GAS PLAN NOTES NTS **3**

KEYNOTES - WATER AND GAS NTS **2**

DATE	REMARKS
1 03.17.22	Issued for Bid

CONTRACT DATE: 10.06.21
 BUILDING TYPE: END. MED20
 PLAN VERSION: MARCH 2021
 BRAND DESIGNER: DICKSON
 SITE NUMBER: 0
 STORE NUMBER: 0
 PA/PM: SM
 DRAWN BY.: RV
 JOB NO.: 2020188.06

TACO BELL

3039 Dixie Hwy.
Edgewood, KY 41017

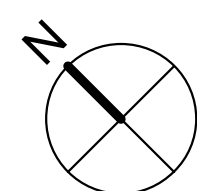
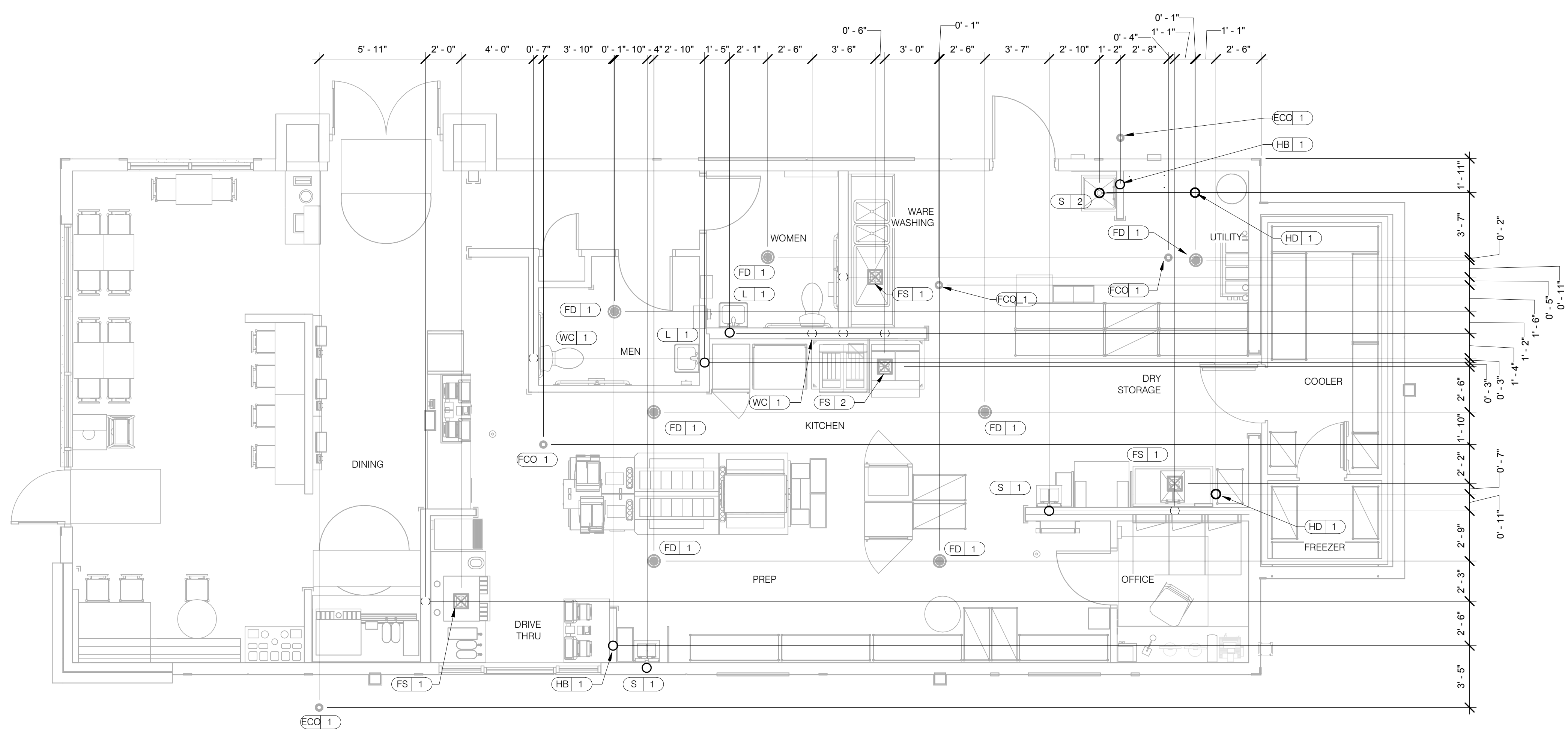


ENDEAVOR 2.0 WATER AND GAS PLAN

P3.0

PLOT DATE: 5/4/2022 2:28:18 PM

C:\Users\vince\OneDrive - GPD Group\Documents\MEP_S\020_Elarger\KY\Mimred_jr\name@gpdgroup.com.rvt



PLUMBING ROUGH-IN PLAN 1/4" = 1'-0" **1**

EQUIP #	EQUIPMENT ITEM	TYPE	ELEVATION	REMARKS	EQUIP #	EQUIPMENT ITEM	TYPE	ELEVATION	REMARKS
FS 1	FLOOR SINK			--	S 3	3-COMPARTMENT SINK FAUCET	CW/HW	+38" A.F.F.	--
FS 2	FLOOR SINK			EPOXY COATED CAST IRON	S 4	PREP SINK	W	+19" A.F.F.	--
HD 1	HUB DRAIN			--	S 4	PREP SINK FAUCET	CW/HW	+38" A.F.F.	--
WH 1	WATER HEATER	CW		--	WCO 1	WALL CLEAN OUT			--
WH 1	WATER HEATER	G	+15" A.F.F.	--	FCO 1	FLOOR CLEAN OUT			--
WC 1	WATER CLOSET	CW	+29" A.F.F.	BOTH HANDICAP AND REGULAR	HB 1	HOSE BIB			--
UR 1	URINAL FLUSH VALVE	CW	+47" A.F.F.	WALL MOUNTED					
UR 1	URINAL WASTE STUB	W	+16-1/2" A.F.F.	WALL MOUNTED					
L 1	LAVATORY	TW	+20" A.F.F.	--	C-107	REETHERMALIZER	HW	+8" A.F.F.	
L 1	LAVATORY WASTE LINE	W	+16-1/2" A.F.F.	--	C-107	REETHERMALIZER	G	+12" A.F.F.	
RO 1	REVERSE OSMOSIS	CW	+84" A.F.F.	--	C-026	DUAL VAT FRYER	G	+12" A.F.F.	
S 1	HAND SINK	TW	+18" A.F.F.	RIM OF LAV @ +2-8" A.F.F.					
S 2	MOP SINK	W	-6" A.F.F.	RECESSED IN FLOOR					
S 2	MOP SINK FAUCET	CW/HW	+36" A.F.F.	--	S-286	WATER FILTER SYSTEM	CW	+94" A.F.F.	INLET TO & OUTLET FROM FILTER
S 2	MOP SINK FAUCET	CW/HW	+42" A.F.F.	CLOSET MOP SINK ONLY					
S 3	3-COMPARTMENT SINK	W	+19" A.F.F.	--	P-452	HOT WATER SYSTEM	CW	+24" A.F.F.	

PLUMBING ROUGH-IN SCHEDULE NTS **3**

- ALL DIMENSIONS TO FLOOR SINKS, FLOOR DRAINS AND HUB DRAINS ARE TO CENTER OF FIXTURE.
- IT IS THE RESPONSIBILITY OF THE CONTRACTOR TO COORDINATE THIS DATA ON LOCATION OF ALL PLUMBING ROUGH-INS WITH INFORMATION PROVIDED ON ARCHITECTURAL AND STRUCTURAL DRAWINGS AND EQUIPMENT ACTUALLY SUPPLIED AND TO CONFIRM CORRECTNESS OF DIMENSIONS INDICATED HEREIN.

PLUMBING ROUGH-IN NOTES NTS **2**

DATE	REMARKS
03.17.22	Issued for Bid

CONTRACT DATE: 10.06.21
BUILDING TYPE: END, MED20
PLAN VERSION: MARCH 2021
BRAND DESIGNER: DICKSON
SITE NUMBER: 0
STORE NUMBER: 0
PA/PM: SM
DRAWN BY.: RV
JOB NO.: 2020188.06

TACO BELL

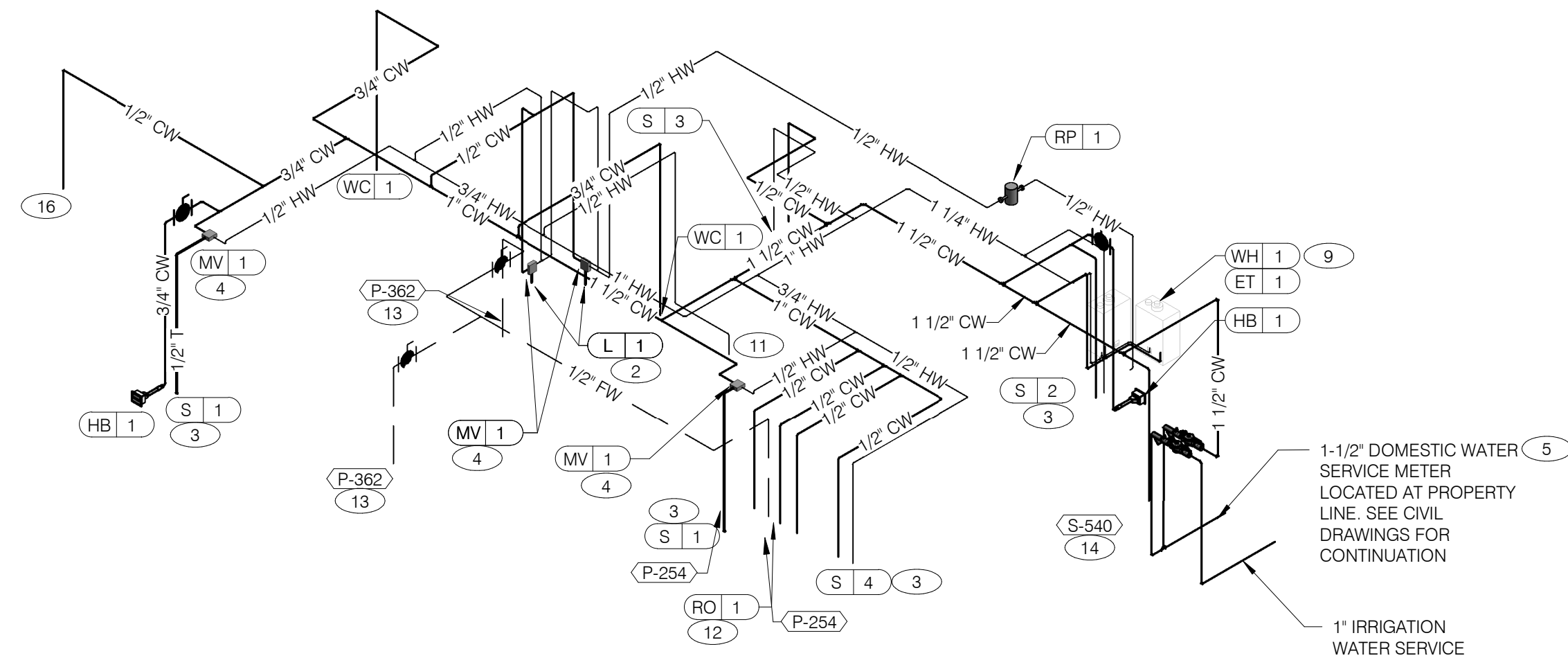
3039 Dixie Hwy.
Edgewood, KY 41017



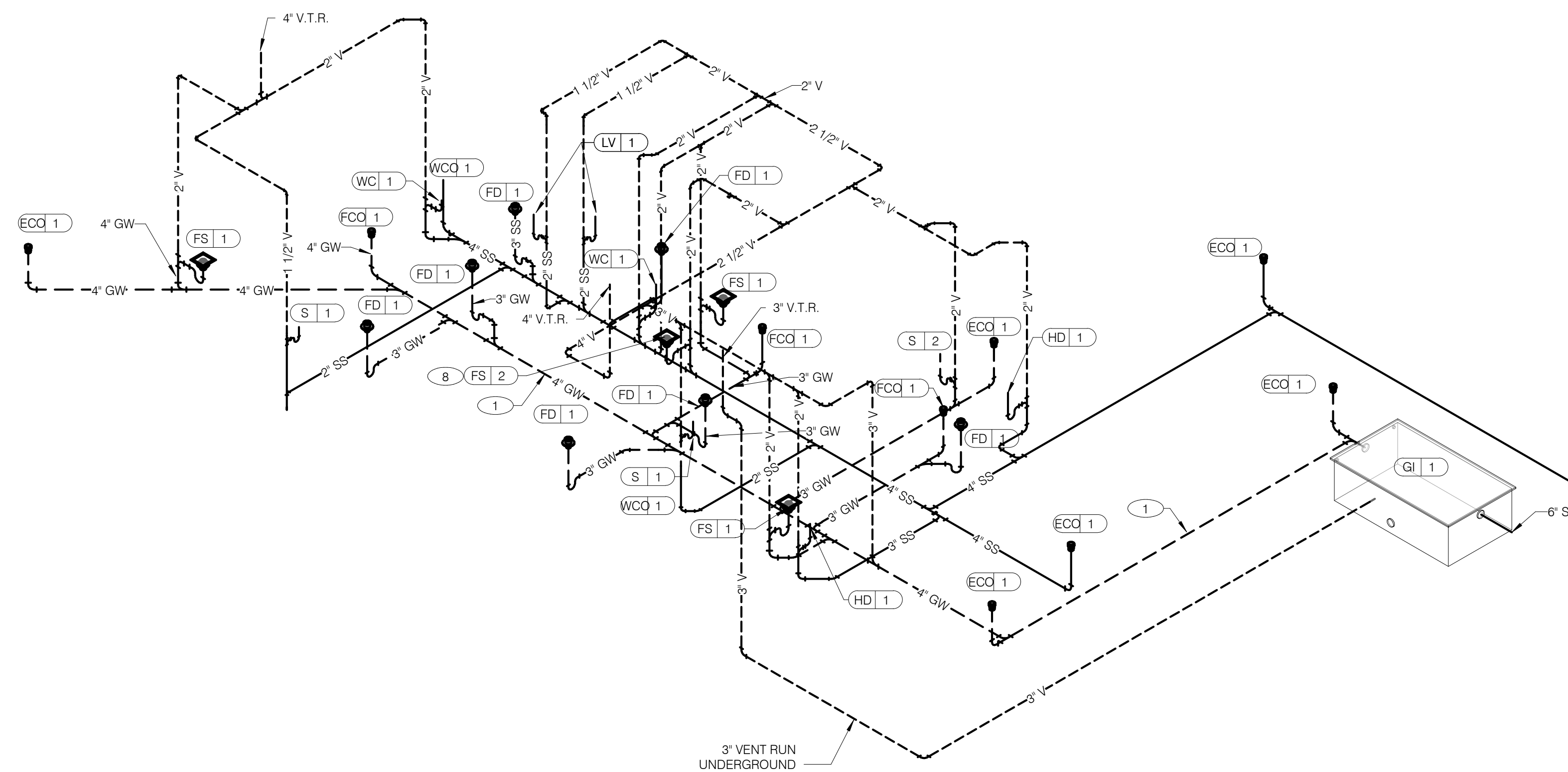
ENDEAVOR 2.0 PLUMBING ROUGH-IN PLAN

P4.0

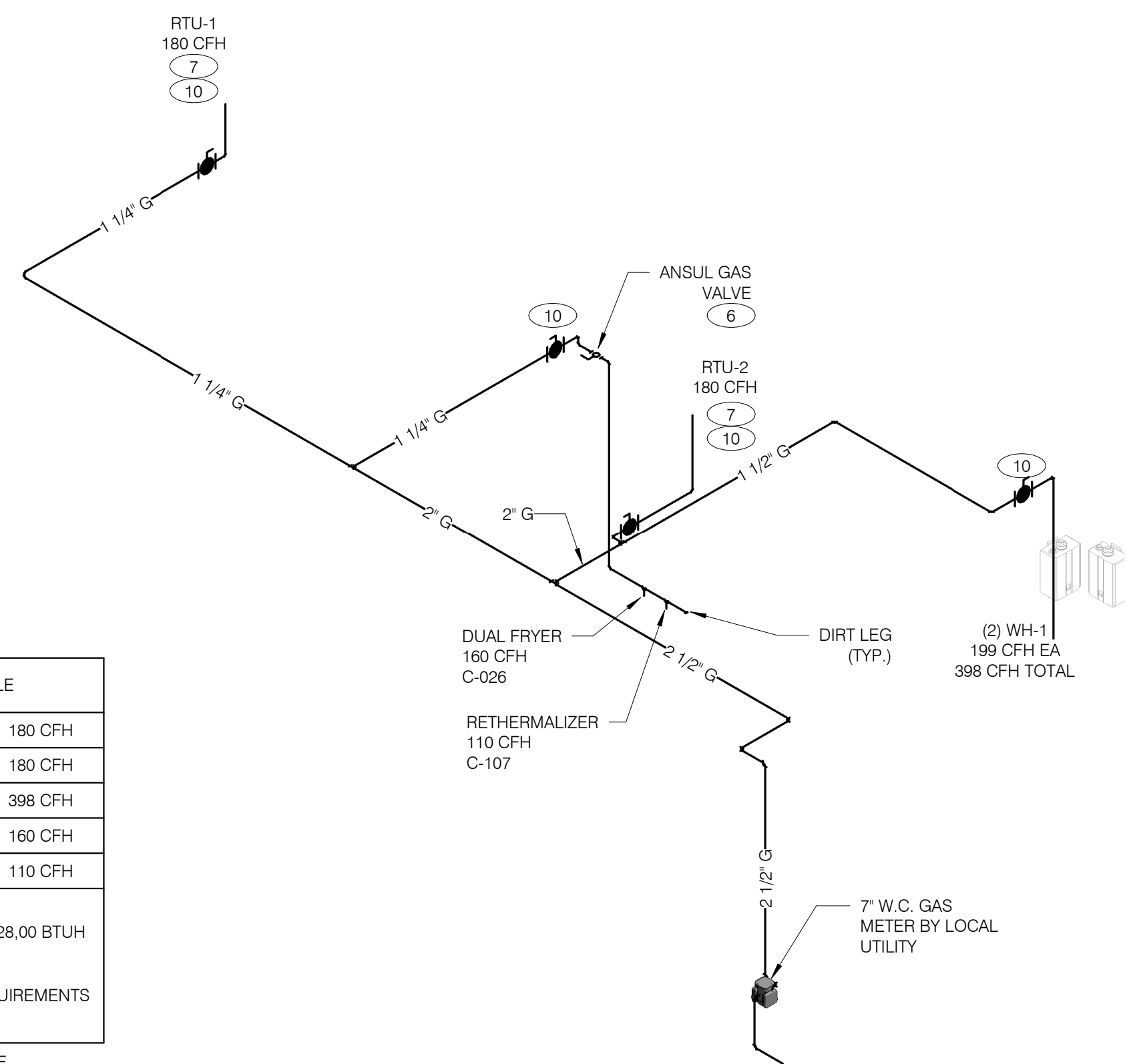
PLOT DATE: 5/4/2022 2:28:22 PM



WATER ISOMETRIC NTS **4**



WASTE AND VENT ISOMETRIC NTS **1**

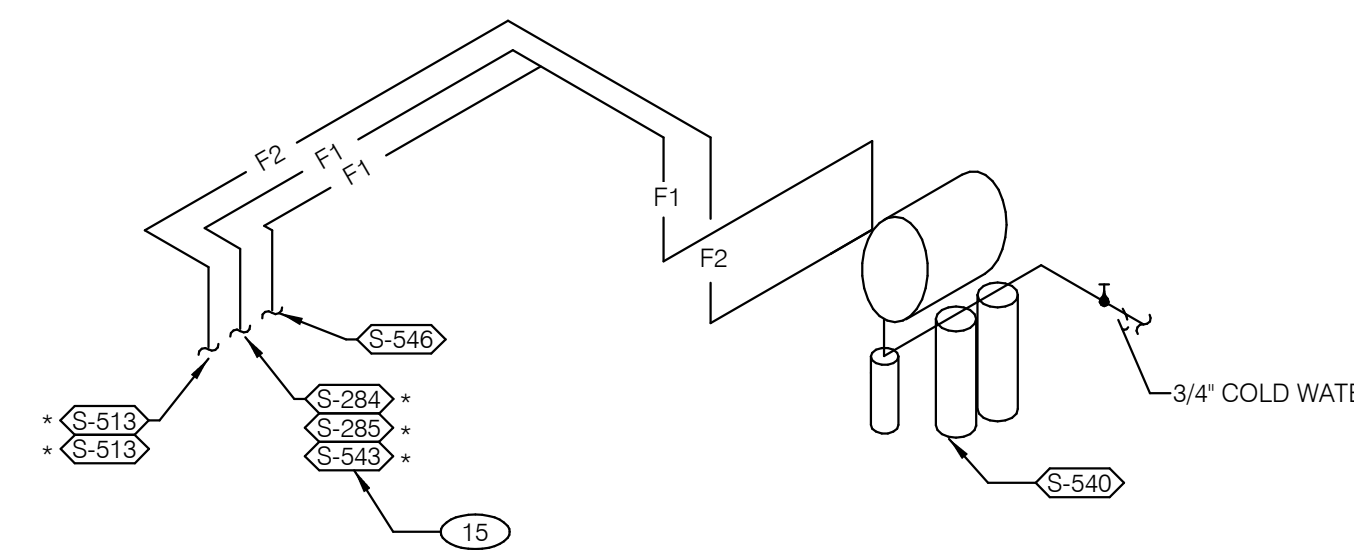


GAS DEMAND SCHEDULE	
RTU-1	180 CFH
RTU-2	180 CFH
(2) WH-1 199 CFH EA	398 CFH
DUAL FRYER	160 CFH
RETHEMALIZER	110 CFH
TOTAL DEMAND	1,028 CFH = 1,028.00 BTUH

NOTE:
COORDINATE GAS DEMAND REQUIREMENTS WITH SITE-SPECIFIC RTU DESIGN.

PIPE SIZE BASED ON 120' OF PIPE AND 7" W.C. OPERATING PRESSURE

GAS ISOMETRIC NTS **5**



- FILTERED EQUIPMENT AND LINES:**
- S-540 - WATER FILTER
- FILTERED LINE (COLD WATER)**
- S-513 - ICE MAKER - ABOVE SELF-SERVE BEVERAGE DISPENSER *
 - S-513 - ICE MAKER - ABOVE DRIVE-THRU BEVERAGE DISPENSER *
 - S-285 - DRIVE-THRU BEVERAGE DISPENSER *
 - S-284 - SELF-SERVE BEVERAGE DISPENSER *
 - S-546 - ICED TEA BREWER
 - S-543 - FROZEN BEVERAGE DISPENSER
- * FILTERED WATER SUPPLIED VIA SYRUP BUNDLE. REFER TO 11/P6.0. SEE SCOPE OF WORK FOR RESPONSIBILITIES.

FILTERED WATER ISOMETRIC NTS **2**

- 1 ENTIRE RUN OF DRAIN LINES ON INLET TO GREASE TRAP SHALL BE SCHEDULE 40 PVC OR NO HUB CAST IRON AS REQUIRED BY CODE.
- 2 1/2" TEMPERED WATER TO HAND SINK / LAVATORY.
- 3 1/2" HOT AND COLD WATER LINES DOWN IN WALL TO PREP SINK.
- 4 THERMOSTATIC MIXING VALVE.
- 5 REDUCED PRESSURE BACKFLOW PREVENTER PER LOCAL UTILITY REQS. PROVIDE SHUT-OFF VALVES AT BOTH SIDES OF BACKFLOW PREVENTER. VERIFY LOCATIONS WITH CIVIL DWGS.
- 6 EMERGENCY GAS SHUT-OFF VALVE (NORMALLY CLOSED) SHALL BE ELECTRIC SOLENOID TYPE WITH SPRING RETURN AND 24 VOLT ACTUATOR, SUITABLE FOR USE ON GAS PIPING SYSTEMS. VALVE SHALL BE ACTIVATED BY ANY OF THE EXHAUST HOOD FIRE SUPPRESSION SYSTEM. PROVIDE RELAYS AS REQUIRED TO ACTIVATE SHUT-OFF VALVE.
- 7 GAS PIPING AT ROOF TOP UNIT FOR THROUGH THE BASE PIPE CONNECTION. SHUT-OFF VALVE SHALL BE LOCATED OUTSIDE OF THE UNIT.
- 8 PROVIDE NO HUB CAST IRON PIPE FOR FIRST 10 FEET OF PIPE FROM CONNECTION TO FLOOR SINK FS-2
- 9 PIPE T&P RELIEF VALVE TO OUTSIDE OF BUILDING OR TO HUB DRAIN. RUN FULL SIZE PIPE FROM VALVE WITH TYPE "K" COPPER TUBING.
- 10 PROVIDE GAS SHUT-OFF VALVE IN CEILING SPACE.
- 11 1/2" HOT WATER PIPE DOWN IN WALL. PROVIDE SHUT-OFF VALVE OUTSIDE OF WALL FOR CONNECTION TO RETHEMALIZER.
- 12 1/2" COLD WATER CONNECT TO REVERSE OSMOSIS FILTER AND 1/2" FILTERED WATER FROM REVERSE OSMOSIS FILTER. PROVIDE SHUT-OFF ON CW PIPE PRIOR TO CONNECTION TO FILTER.
- 13 1/2" RO WATER FROM REVERSE OSMOSIS FILTER DOWN IN UTILITY CHASE OF M.A.P.S. LINE. PROVIDE SHUT-OFF VALVE ON FW PIPE IN CEILING NEAR UTILITY CHASE.
- 14 1/2" COLD WATER TO HOT WATER SYSTEM FILTER.
- 15 TEE OFF 3/8" LINE FROM DRIVE THRU BEVERAGE DISPENSER FILTERED WATER SUPPLY. SEE DETAIL 8/P6.0.
- 16 1/2" COLD WATER. CONNECT TO WATER FILTER FOR BUNN POD BREWER S-547. PROVIDE SHUT-OFF VALVE PRIOR TO CONNECTION TO THE WATER FILTER.

KEYNOTES - ISOMETRICS NTS **3**

DATE	REMARKS
1 03.17.22	Issued for Bid

CONTRACT DATE: 10.06.21
BUILDING TYPE: END. MED20
PLAN VERSION: MARCH 2021
BRAND DESIGNER: DICKSON
SITE NUMBER: 0
STORE NUMBER: 0
PA/PM: SM
DRAWN BY.: RV
JOB NO.: 2020188.06

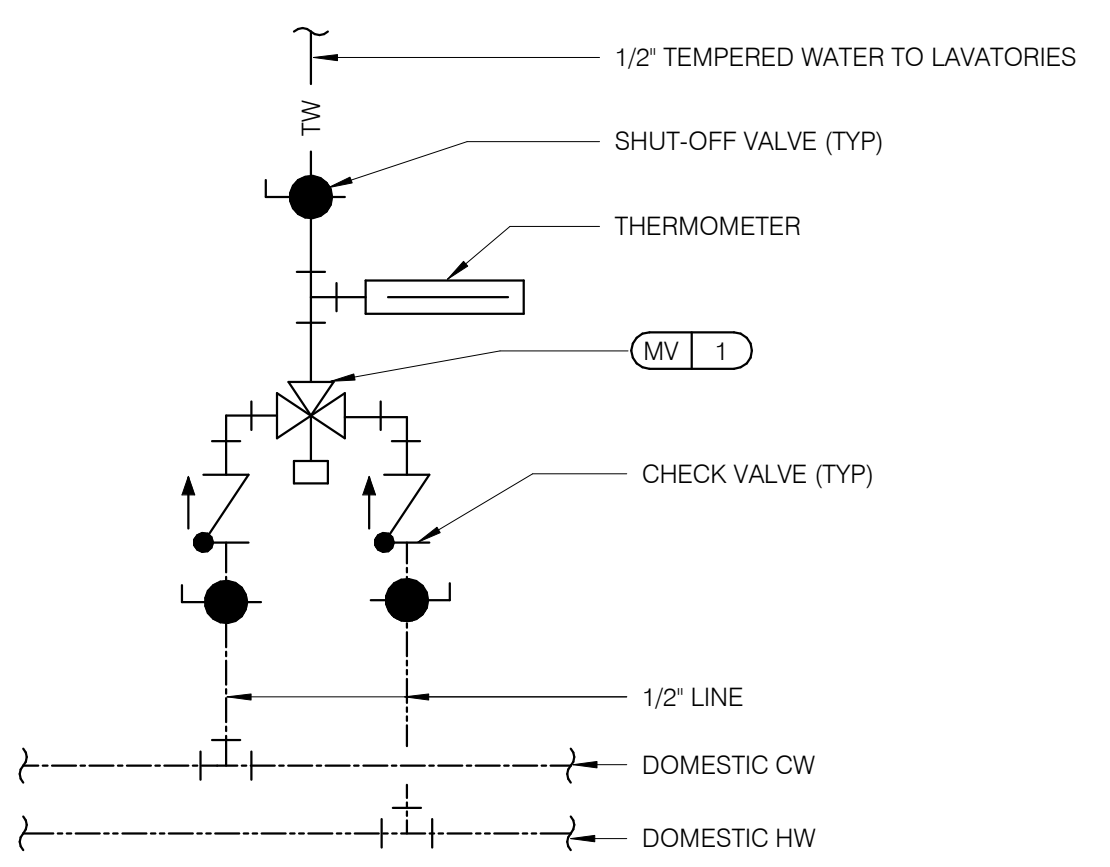
TACO BELL
3039 Dixie Hwy,
Edgewood, KY 41017



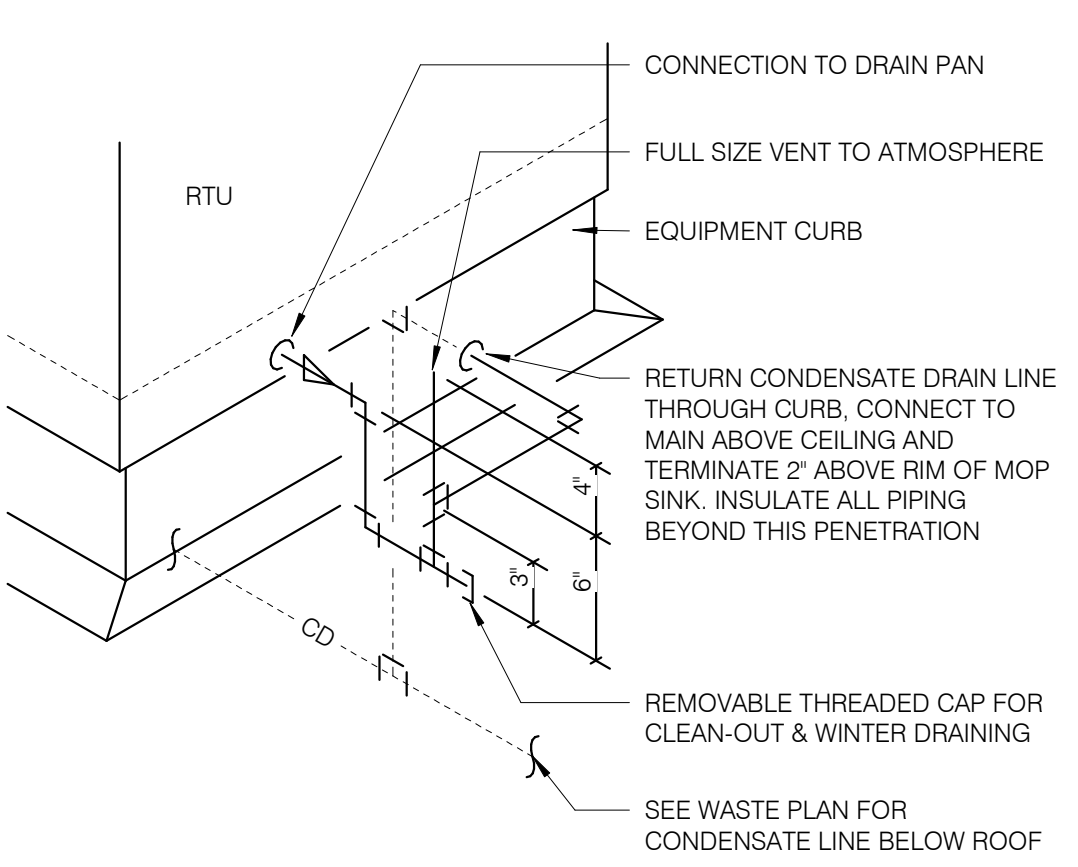
ENDEAVOR 2.0
RISER
DIAGRAMS

P5.0

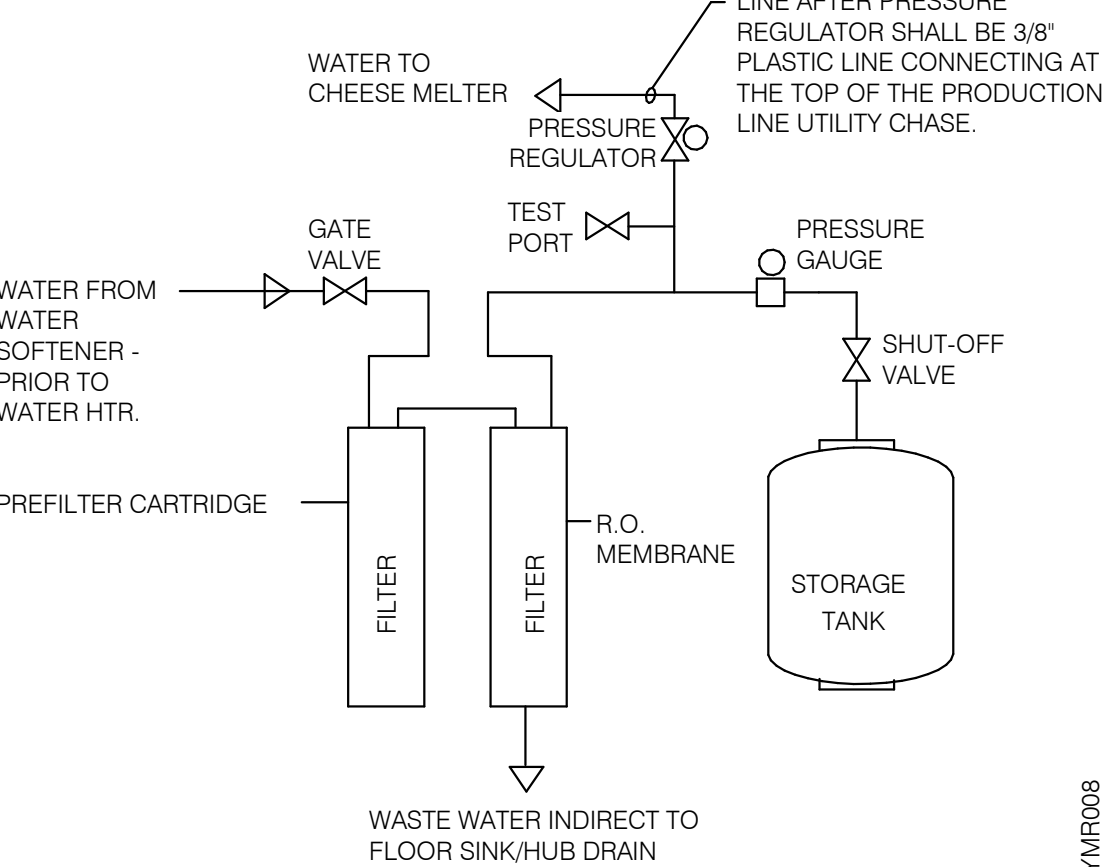
PLOT DATE: 5/4/2022 2:28:44 PM



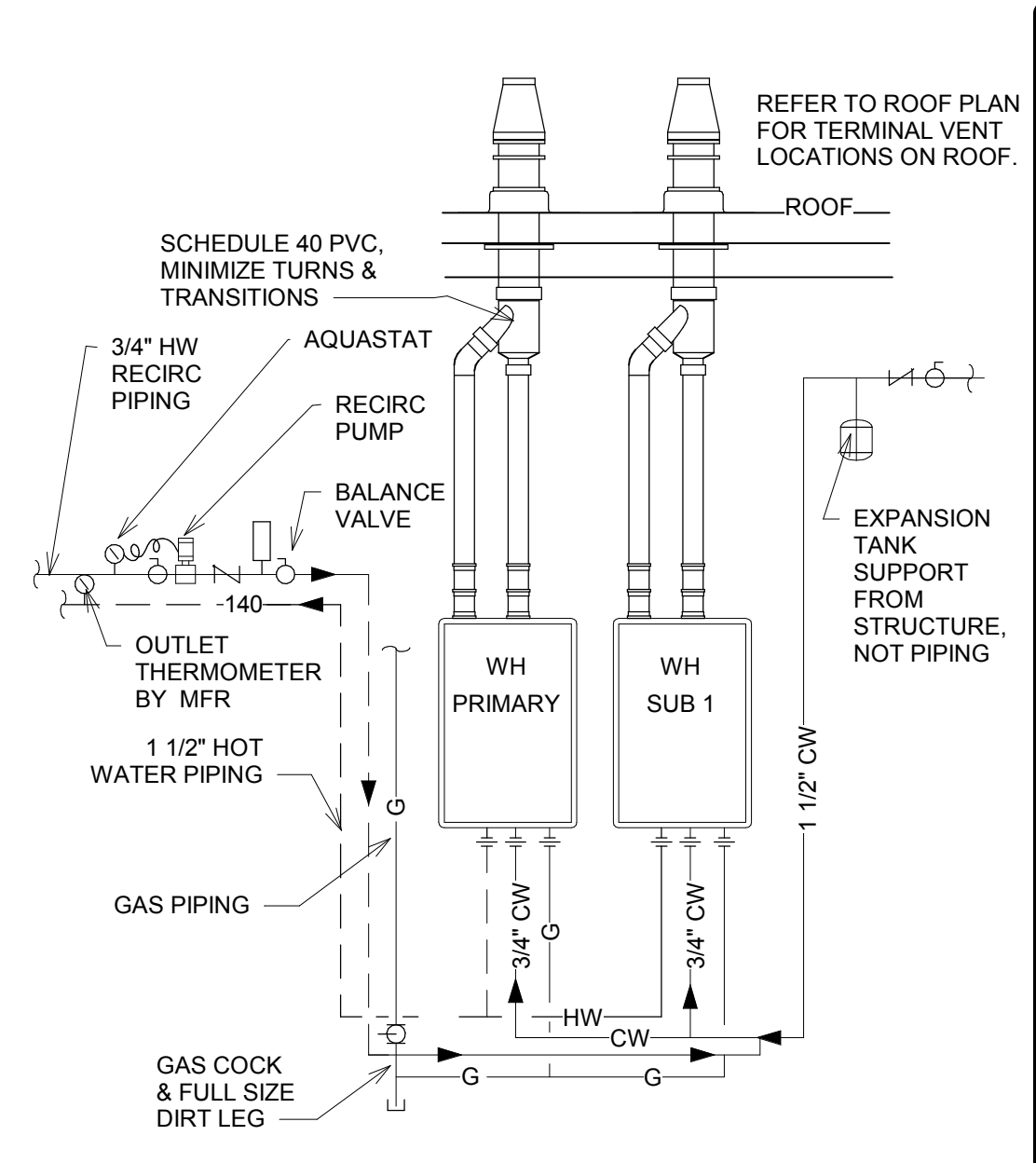
TEMPERING VALVE NTS **11**



RTU CONDENSATE NTS **10**

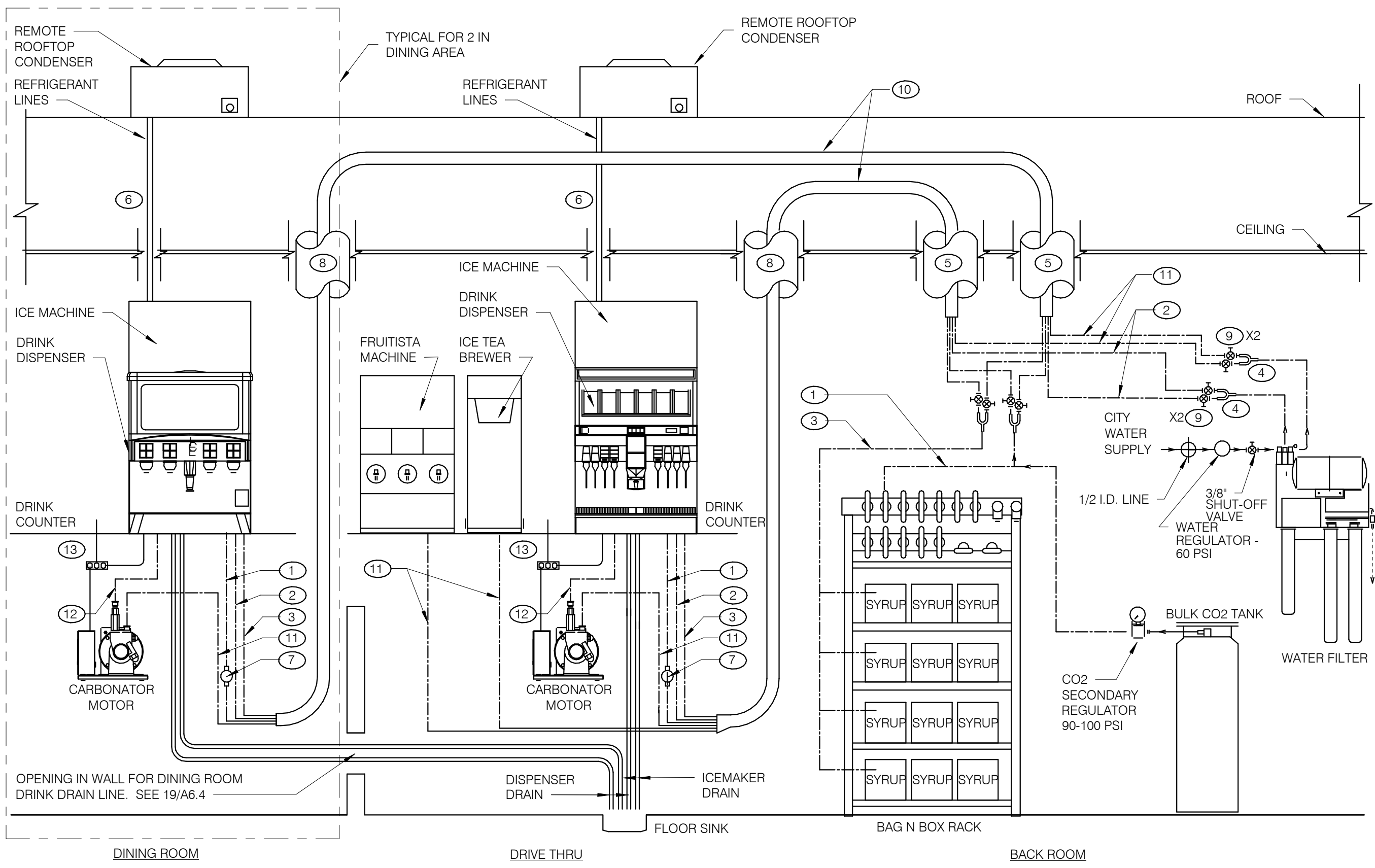


REVERSE OSMOSIS SYSTEM NTS **9**



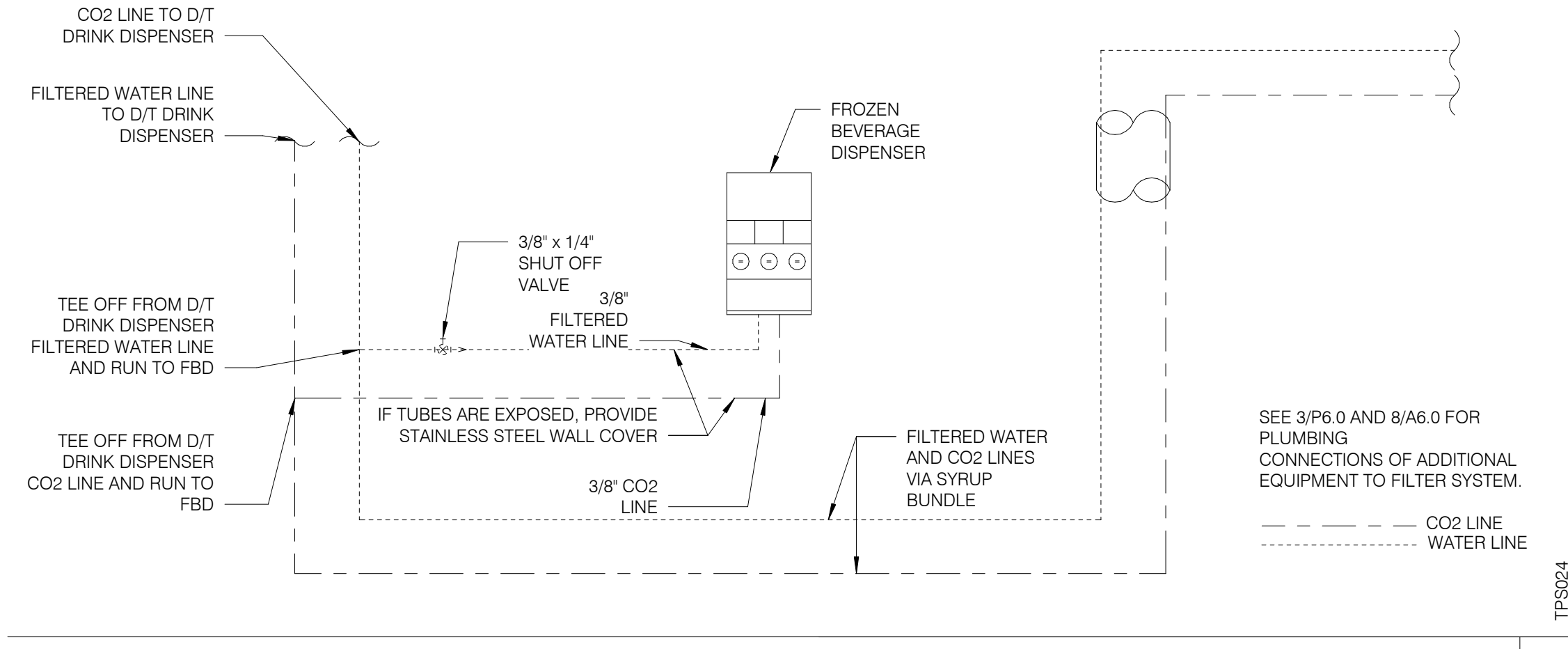
- NOTES:**
- LOCATIONS OF VALVES, PUMP AND PIPING ARE DIAGRAMMATIC ONLY AND MAY VARY FROM THAT SHOWN. INSTALL WATER HEATER, EXHAUST VENT, AIR INTAKE AND ROOF CAPS AS RECOMMENDED BY MANUFACTURER, PER CODE, AND TO MAXIMIZE SPACE FOR FUTURE MAINTENANCE. CONTRACTOR SHALL USE DIELECTRIC UNIONS FOR ALL PIPE CONNECTIONS BETWEEN DISSIMILAR METALS.
 - ROUTE CONDENSATE, PRESSURE RELIEF ABOVE HUB DRAIN. MAINTAIN CODE REQ'D AIR GAP ABOVE DRAIN.
 - PER 2015 INTERNATIONAL ENERGY CONSERVATION CODE, SECTION 504.4 ALL (MANIFOLDED) WATER HEATERS SERVE THE AUTOMATIC CIRCULATING SYSTEM AND DO NOT REQUIRE HEAT TRAPS.
 - COLD WATER AND HOT WATER PIPING TO WATER HEATERS SHALL BE A "REVERSE-RETURN" SYSTEM. (I.E. ALL COLD AND HOT WATER PIPE CONNECTIONS SHALL BE EQUAL IN LENGTH TO INSURE EQUAL PRESSURE DROP AND FLOW THRU WATER HEATERS.

WATER HEATER NTS **2**

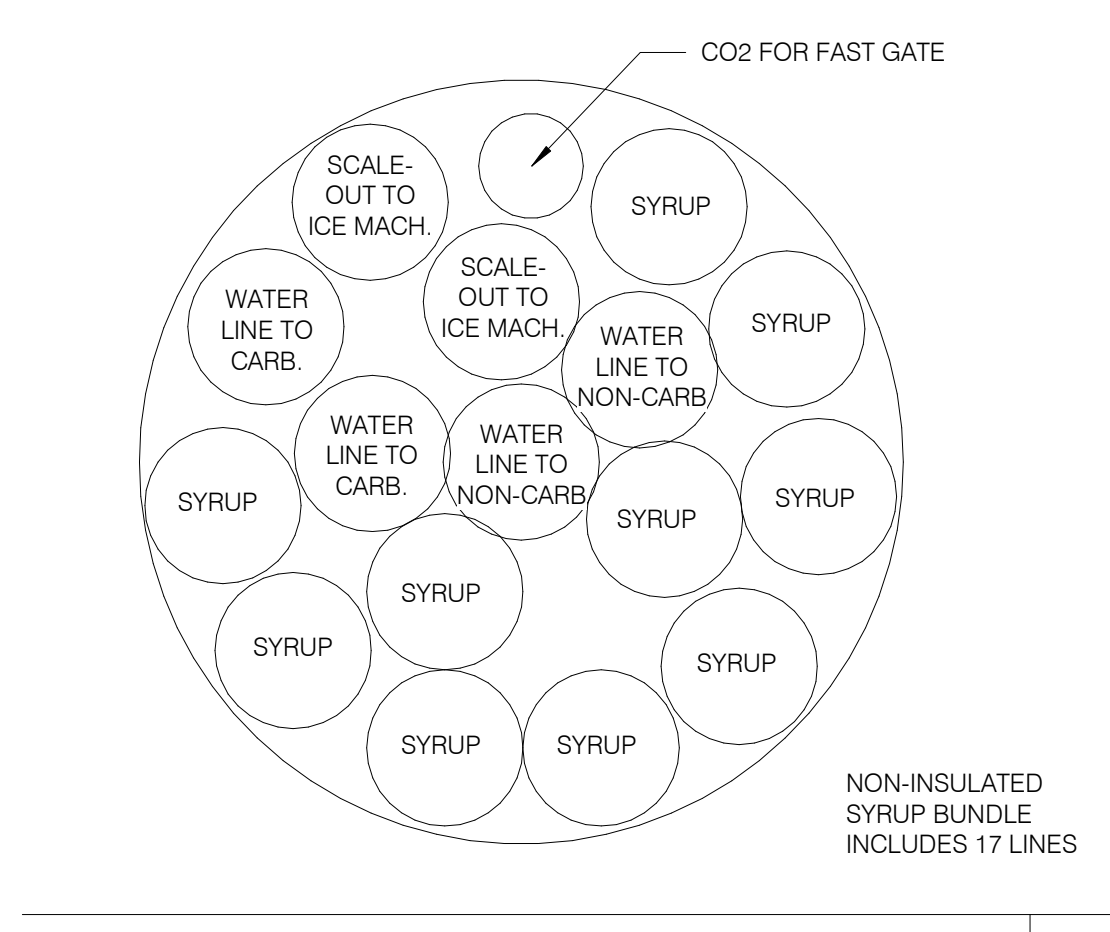


- KEY NOTES:**
- 1 3/8" CO₂ LINE
 - 2 3/8" FILTERED WATER LINE - ICE MACHINES
 - 3 3/8" SYRUP LINES
 - 4 1/2" X 3/8" X 3/8" "Y"
 - 5 BUNDLED TUBING CEILING PENETRATION.
 - 6 STAINLESS CHASE SURFACE MOUNTED FROM CEILING TO TOP OF ICE MACHINE
 - 7 PRE-SET CO₂ REGULATOR
 - 8 RECESSED 4" DIA. PVC VERTICAL CHASE FOR DRINK SYSTEM BUNDLED TUBING SYSTEM.
 - 9 3/8" SHUT OFF VALVES BARB FITTINGS
 - 10 DRINK SYSTEM BUNDLED TUBING. SEE DETAIL 6/P6.0
 - 11 3/8" FILTERED WATERLINE - ICE TEA, FRUITISTA & DRINK MACHINES
 - 12 3/8" LINE FOR PRESSURIZED FILTERED WATER
 - 13 ELECTRICAL FOR DRINK SYSTEM. SEE SHEET E3.0

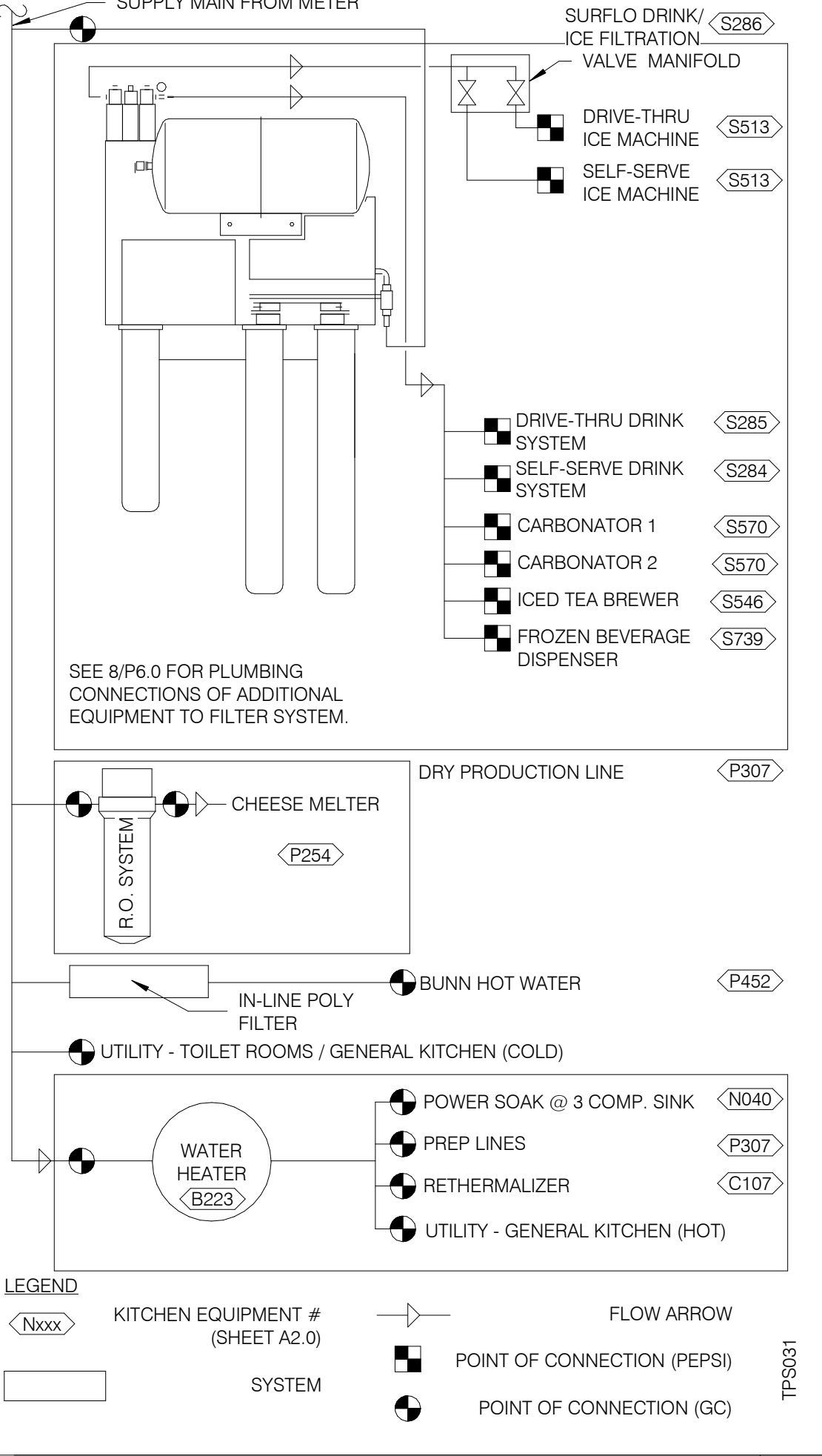
DRINK SYSTEM SCHEMATIC NTS **8**



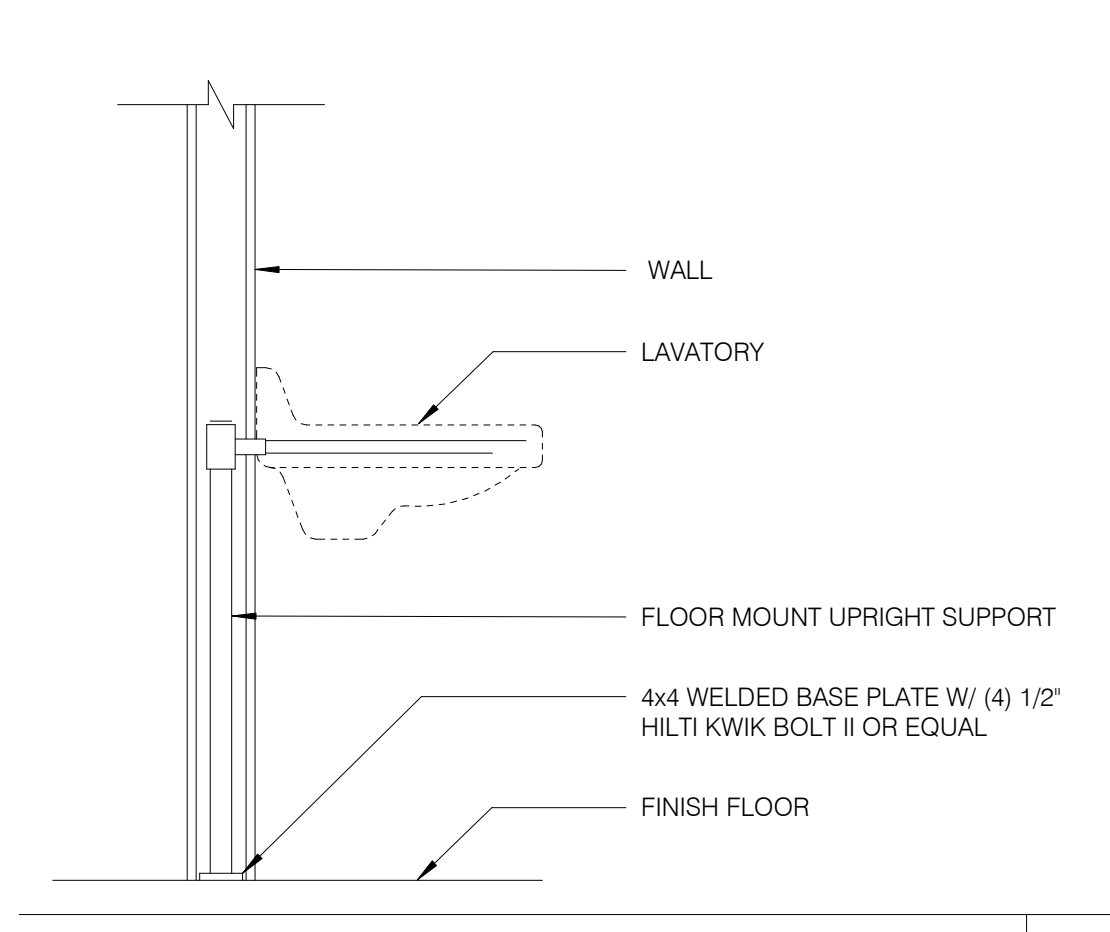
FBD DRINK SYSTEM DETAIL NTS **7**



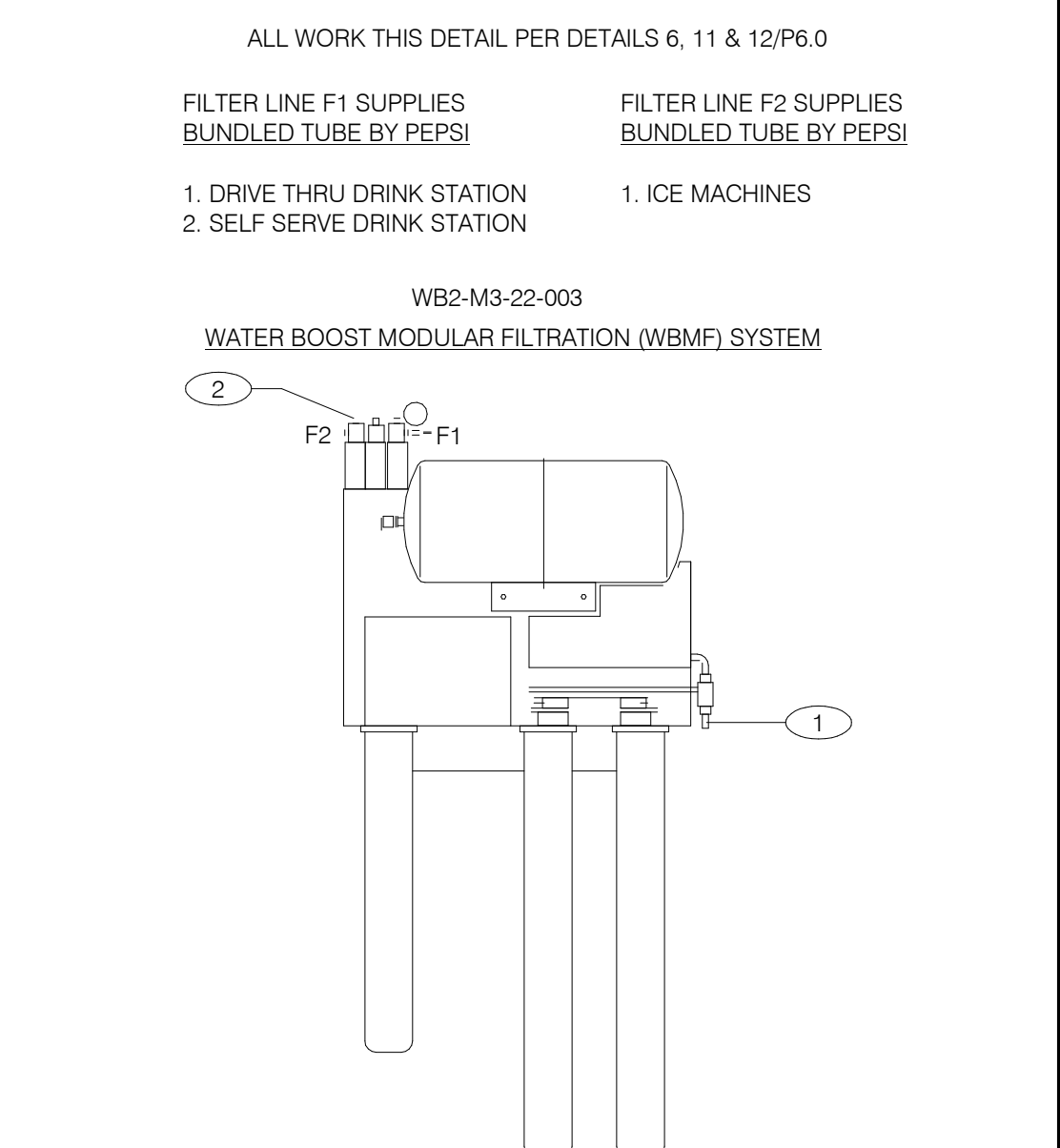
SYRUP BUNDLE CONFIGURATION NTS **6**



WATER FILTRATION SCHEMATIC NTS **3**



LAVATORY SUPPORT NTS **5**



- KEY NOTES:**
- 3/4" COLD WATER INLET TO 1/2" COPPER LINE AND FITTINGS AT FILTER.
 - 3/4" OUTLET W/ INTEGRAL BACKFLOW PREVENTER, EQUAL TO WATTS REGULATOR CO. SERIES 007 AND SERVICE BALL VALVE.
- GENERAL NOTES:**
- OVERALL DIMENSIONS 21" WIDE x 12" DEEP x 48 1/2" HIGH
 - SEE SCOPE OF WORK FOR ADDITIONAL INFORMATION.
 - INSTALLATION SHALL COMPLY WITH STATE AND LOCAL PLUMBING CODES.
 - THE UNIT SHALL BE PROTECTED AGAINST FREEZING.
 - USE ONLY TEFLON (HIGH-LOW TEMPERATURE) TAPE TO SEAL THREADED PARTS; NO PIPE DOPE.
 - DO NOT INSTALL WHERE LINE PRESSURE EXCEEDS 125 PSI OR WHERE TEMPERATURE EXCEEDS 100 F.
 - SEE SHT. A2.0 FOR LOCATION.

WATER FILTER SYSTEM NTS **1**

DATE	REMARKS
03.17.22	Issued for Bid

CONTRACT DATE: 10.06.21
 BUILDING TYPE: END, MED20
 PLAN VERSION: MARCH 2021
 BRAND DESIGNER: DICKSON
 SITE NUMBER: 0
 STORE NUMBER: 0
 PA/PM: SM
 DRAWN BY: RV
 JOB NO.: 2020188.06

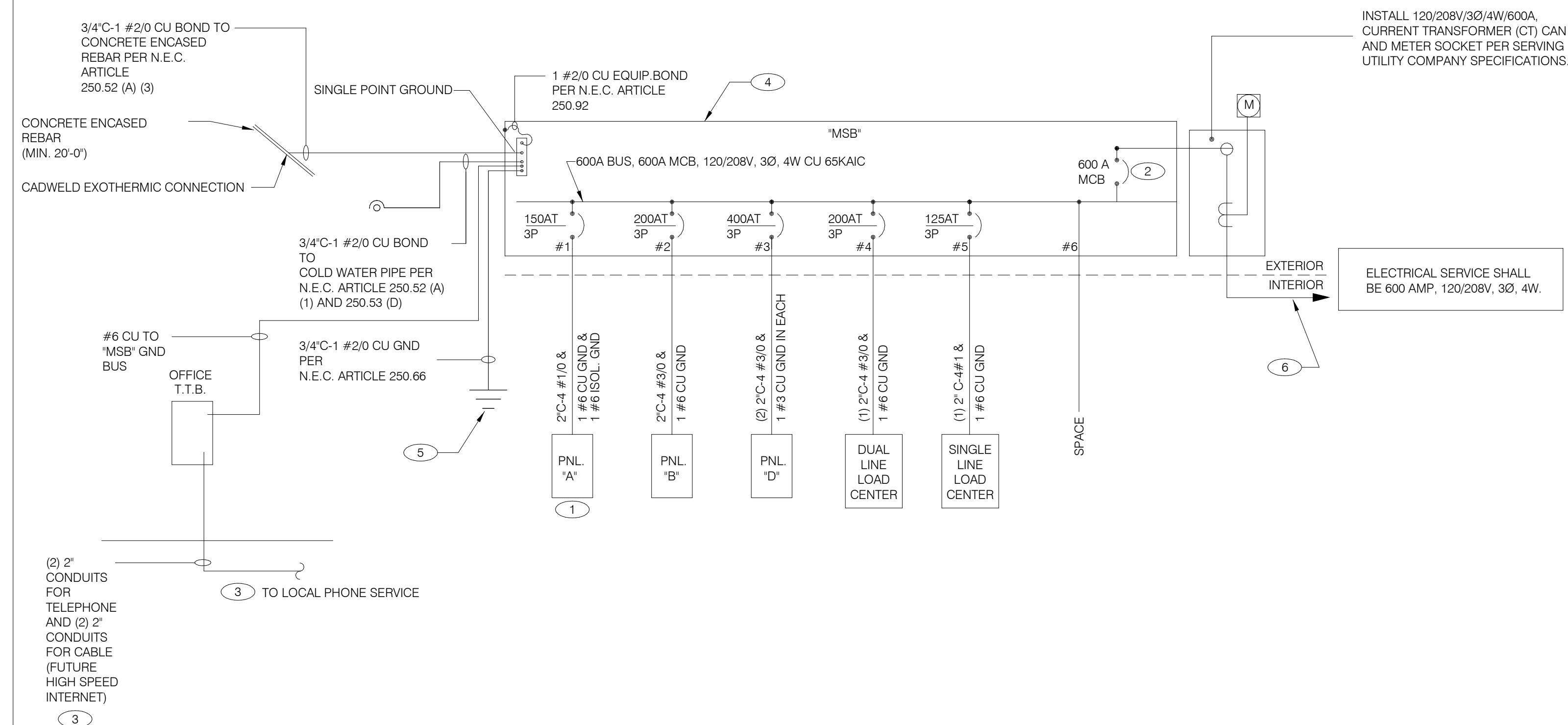
TACO BELL
 3039 Dixie Hwy,
 Edgewood, KY 41017



ENDEAVOR 2.0 PLUMBING DETAILS

P6.0

PLOT DATE: 5/4/2022 2:28:53 PM



SINGLE LINE DIAGRAM NTS **A**

	2X4 LED FIXTURE	NL	NIGHTLIGHT		FUSIBLE DISCONNECT SWITCH WITH STARTER
	2X4 LED FIXTURE WITH BATTERY PACK	(S)	CEILING MOUNTED SPEAKER		FUSIBLE DISCONNECT SWITCH
	1X4 LED FIXTURE	(W)	WALL MOUNTED SPEAKER		NON-FUSIBLE DISCONNECT SWITCH
	1X4 LED FIXTURE WITH BATTERY PACK	(J)	WALL MOUNTED JUNCTION BOX		PHOTOCELL
	DOWNLIGHT FIXTURE	(J)	WALL MOUNTED JUNCTION BOX		RAIN SENSOR
	SUSPENDED DOWNLIGHT FIXTURE	(T)	TELEPHONE OUTLET		FLUORESCENT WALL MOUNT FIXTURE
	PENDANT MOUNTED LIGHT FIXTURE	(D)	DEDICATED GROUNDED OUTLET		EMERGENCY LIGHT
	TRACK MOUNTED PENDANT LIGHT FIXTURE	(D)	DUPLEX GROUNDED OUTLET		SINGLE POLE, SINGLE THROW TOGGLE SWITCH
	COOLER FIXTURE	(D)	DOUBLE DUPLEX GROUNDED OUTLET		SINGLE POLE, SINGLE THROW TOGGLE SWITCH W/ PILOT LIGHT
	EXIT SIGN (WALL MOUNTED)	(D)	GROUND FAULT DUPLEX OUTLET		WALL MOUNTED OCCUPANCY SENSOR
	EXIT SIGN (CEILING MOUNTED)	(D)	DOUBLE DUPLEX GROUNDED OUTLET	(R)	RELAY
	SECURITY STROBE	(D)	GROUND FAULT DUPLEX W/ BOTT. HALF SWITCHED	---	CONDUIT RUN, UNDERGROUND
		(D)	GROUND FAULT DEDICATED OUTLET	(S)	SMOKE DETECTOR
		(D)	CEILING DUPLEX OUTLET	(S)	EXTERIOR WALL FIXTURE
		(D)	DUPLEX ISOLATED GROUND OUTLET	(S)	EXTERIOR DECORATIVE WALL FIXTURE
		(D)	DOUBLE DUPLEX ISOLATED GROUND OUTLET	(S)	EXTERIOR DECORATIVE WALL FIXTURE
		(D)	DEDICATED ISOLATED GROUND	(S)	WEATHERPROOF GROUND FAULT
		(D)	SPECIAL PURPOSE OUTLET		
		(D)	CEILING SPECIAL PURPOSE OUTLET		
		(D)	ELECTRICAL PANEL. SEE SHEET E2.1 FOR PANEL SCHED.		
		(D)	HOLD UP EMERGENCY BUTTON		
		(D)	ELECTRICAL MOTOR		
		(D)	DUCT MOUNTED SMOKE DETECTOR		
		(D)	CONNECTION TO EQUIPMENT		

ELECTRICAL LEGEND NTS **D**

- THERE SHALL BE U.L. LISTED SERIES RATING BETWEEN CKT. BREAKERS LOCATED AT THE DISTRIBUTION PANEL AND THE DOWNSTREAM 10k A.I.C. RATED CIRCUIT BREAKERS AT PANELS 'A', 'B' DUAL-LINE EQUIPMENT CABINET BASED ON THE MAXIMUM FAULT CURRENT AS DETERMINED AT THE SERVICE ENTRANCE AND DOWNSTREAM 22k A.I.C. RATED CIRCUIT BREAKERS AT PANEL 'D.'
- SEE SCOPE OF WORK FOR DETAILS REGARDING OWNER SUPPLIED AND/OR INSTALLED PRODUCTS. GENERAL CONTRACTOR IS RESPONSIBLE FOR ALL OTHER ASPECTS OF THE PROJECT
- IF UTILITY COMPANY PROPOSES A SERVICE DIFFERENT FROM THAT ILLUSTRATED, CONTACT THE CONSTRUCTION ENGINEER FOR A DECISION BEFORE PROCEEDING. COORDINATE AVAILABLE SHORT CIRCUIT CURRENT W/ LOCAL UTILITY AND PROVIDE CIRCUIT BREAKERS W/ SUFFICIENT INTERRUPTING CAPACITY.
- COORDINATE CT METERING COMPARTMENT SIZE WITH LOCAL UTILITY COMPANY. THE LOCAL ELECTRICAL INSPECTOR AND THE NATIONAL ELECTRICAL CODE TO MEET ALL REQUIREMENTS BEFORE PURCHASE AND INSTALLATION. NEW METER BY LOCAL UTILITY COMPANY.
- ALL WIRING SHOWN SHALL BE COPPER TYPE "THHN/THWN" EXCEPT FEEDERS FROM UTILITY TRANSFORMER TO SWITCH BOARD MAY BE ALUMINUM.
- ARMOR CABLE ACCEPTABLE FOR THE LAST 6'-0" FROM A JUNCTION BOX TO LIGHT FIXTURES. ARMOR CABLE IS NOT ALLOWED FOR NON-ACCESSIBLE FLOORS, WALLS AND CEILINGS.

ONE LINE DIAGRAM GENERAL NOTES NTS **C**

- WIRE ISOLATED GROUND TO ISOLATION GROUND BUS IN PANEL AND LAND ISOLATED GROUND TO SINGLE POINT GROUND. "DO NOT COMBINE COMMON GND TO ISOLATED GROUND". REF DETAIL 6/E3.1.
- PROVIDE 100% RATED MAIN CIRCUIT BREAKER IN MDP.
- PROVIDE 2" CONDUIT STUBBED INTO BULDING FROM LATERAL POLE FOR TELEPHONE AND FUTURE HIGHT SPEED CABLE.
- VERIFY AVAILABLE FAULT CURRENT AT SERVICE ENTRANCE WITH THE UTILITY COMPANY. IF THE AIC RATING AS INDICATED IS NOT SUFFICIENT, CONTACT PROJECT MANAGER AND ENGINEER PRIOR TO BID/PRICING TO UPDATE EQUIPMENT RATING.
- (3) 5/8" DIA. x 10'-0" COPPER CLAD GROUND RODS. INSTALL 10'-0" APART AND CONNECT GROUND SYSTEM PER N.E.C. ARTICLE 250
- PROVIDE UNDERGROUND SERVICE LATERAL TO UTILITY TRANSFORMER PER SERVING UTILITY COMPANY SPECIFICATIONS. #350 KCMIL CU IN EACH OF (2) 3"C. TO PAD MOUNT TRANSFORMER. GC/ELECT. CONTRACTOR SHALL COORDINATE SERVICE POLES PER LOCAL UTILITY CODE. IF ALUMINUM CONDUCTORS ARE USED PROVIDE #450 KCMIL AL IN EACH (2) 3-1/2"C.

ONE LINE DIAGRAM KEY NOTES NTS **B**

DATE	REMARKS
03.17.22	Issued for Bid

CONTRACT DATE: 10.06.21
BUILDING TYPE: END. MED20
PLAN VERSION: MARCH 2021
BRAND DESIGNER: DICKSON
SITE NUMBER: 0
STORE NUMBER: 0
PA/PM: SM
DRAWN BY.: AJR
JOB NO.: 2020188.06

TACO BELL

3039 Dixie Hwy,
Edgewood, KY 41017



**ENDEAVOR 2.0
ELECTRICAL
ONE LINE
DIAGRAMS AND
LEGEND**

E2.0

PLOT DATE: 5/4/2022 3:33:40 PM



520 S. MAIN STREET, SUIT 2531
AKRON, OH 44311
330.572.2100 FAX: 330.572.2102

Switchboard: MSB

Location: Volts: 120/208 Wye
Supply From: Phases: 3
Mounting: SURFACE A.I.C. Rating: 65 KAIC
Enclosure: NEMA-3R Mains Type: MCB
Wires: 4 Mains Rating: 600 A
MCB Rating: 600 A
100% RATED CIRCUIT BREAKER

Notes:

CKT	Circuit Description	WIRE SIZE	# of Poles	Frame Size	Trip Rating	Load	Remarks
1	PANELBOARD A	1/0	3	225 A	150 A	28600 VA	--
2	PANELBOARD B	3/0	3	225 A	200 A	14206 VA	--
3	PANELBOARD D	3/0	3	400 A	400 A	62913 VA	--
4	DUAL COOK LINE PANEL	3/0	3	400 A	200 A	52000 VA	--
5	SINGLE COOK LINE	1	3	225 A	125 A	28800 VA	--
6	Space	--	--	--	--	0 VA	--

Total Conn. Load: 186699 VA
Total Amps: 518 A

Load Classification	Connected Load	Demand Factor	Estimated Demand	Panel Totals
HVAC	30876 VA	100.00%	30876 VA	
Kitchen	11958 VA	65.00%	7773 VA	
Lighting	7720 VA	125.00%	9650 VA	
Other	930 VA	100.00%	930 VA	
Power	111492 VA	100.00%	111492 VA	
Receptacle	6344 VA	100.00%	6344 VA	
Refrigeration	17379 VA	100.00%	17379 VA	
				Total Conn. Load: 186699 VA
				Total Est. Demand: 184444 VA
				Total Conn. Current: 518 A
				Total Est. Demand Current: 512 A

Notes:

Panel: B

Location: Volts: 120/208 Wye
Supply From: Phases: 3
Mounting: Recessed A.I.C. Rating: SERIES
Enclosure: Type 1 Mains Type: M.L.O.
Wires: 4 Mains Rating: 200 A
MCB Rating: N/A

Notes:

NOTES	CKT	Load Name	Trip	Poles	A	B	C	Poles	Trip	Load Name	CKT	NOTES
	1	DINING LTS	20 A	1	636 VA	1500...			1	20 A	2	
	3	BUILDING GOOSENECK LIGHTING	20 A	1		764 VA	216 VA		1	20 A	4	GF
	5	KITCHEN/ BOH/ RESTROOM LTS	20 A	1			724 VA	91 VA	1	20 A	6	
	7	LTG - SHOW WINDOW	20 A	1	600 VA	500 VA			1	20 A	8	
	9	LTG - SHOW WINDOW	20 A	1		600 VA	500 VA		1	20 A	10	
	11	LTG - COOLER & FREEZER	20 A	1			800 VA	500 VA	1	20 A	12	
	13	Spare	20 A	1	0 VA	0 VA			1	20 A	14	
	15	DIGITAL MENU BOARD	20 A	1		360 VA	0 VA		1	20 A	16	
	17	Spare	20 A	1			0 VA	0 VA	1	20 A	18	
	19	CANOPY LIGHTING	20 A	1	200 VA	0 VA			--	--	20	
	21	LTG - PYLON SIGN	20 A	1		500 VA	0 VA		--	--	22	
	23	Spare	20 A	1			0 VA	0 VA	--	--	24	
	25	SITE LIGHTING	20 A	1	935 VA	0 VA			1	20 A	26	
	27	Spare	20 A	1		0 VA	0 VA		1	20 A	28	
	29	Spare	20 A	1			0 VA	0 VA	1	20 A	30	
	31	Spare	20 A	1	0 VA	0 VA			1	20 A	32	
	33	EF-1	20 A	1		1120...	1500...		1	20 A	34	
	35	EF-2	20 A	1			660 VA	1500...	1	20 A	36	
	37	Spare	20 A	1	0 VA	0 VA			1	20 A	38	
	39	Spare	20 A	1		0 VA	0 VA		1	20 A	40	
	41	Spare	20 A	1			0 VA	0 VA	1	20 A	42	
		Total Load:			4371 VA	5560 VA	4275 VA					
		Total Amps:			37 A	46 A	36 A					

Legend:

Load Classification	Connected Load	Demand Factor	Estimated Demand	Panel Totals
Other	930 VA	100.00%	930 VA	
Power	2360 VA	100.00%	2360 VA	
Lighting	7720 VA	125.00%	9650 VA	
HVAC	1780 VA	100.00%	1780 VA	
Receptacle	1416 VA	100.00%	1416 VA	
				Total Conn. Load: 14206 VA
				Total Est. Demand: 16136 VA
				Total Conn. Current: 39 A
				Total Est. Demand Current: 45 A

Notes:

CIRCUIT BREAKER/MISC. ACC. ABBREVIATIONS:

GF - GROUND FAULT CIRCUIT INTERRUPTER
AF - ARC-FAULT CIRCUIT INTERRUPTER
ST - SHUNT TRIP
HL-ON - HANDLE-LOCK ON DEVICE
HL-OFF - HANDLE-LOCK OFF DEVICE
EPD - EQUIPMENT PROTECTION DEVICE
IG - ISOLATED GROUND

Panel: A

Location: Volts: 120/208 Wye
Supply From: Phases: 3
Mounting: Recessed A.I.C. Rating: SERIES
Enclosure: Type 1 Mains Type: M.L.O.
Wires: 4 Mains Rating: 150 A
MCB Rating: N/A

Notes:

PROVIDE ISOLATED GROUND BAR

NOTES	CKT	Load Name	Trip	Poles	A	B	C	Poles	Trip	Load Name	CKT	NOTES	
	1	P-417 TIMER	20 A	1	180 VA	300 VA			1	20 A	2	IG	
	3	S-546 ICED TEA	20 A	1		480 VA	720 VA		1	20 A	4		
	5	OFFICE QUAD RECEPTACLE	20 A	1			180 VA	480 VA	1	20 A	6	GF	
	7	J-BOX SECURITY SYSTEM / DVR	20 A	1	1180...	180 VA			1	20 A	8		
	9	S-026 HEAT CABINET	20 A	1		1800...	540 VA		1	20 A	10		
	11	U-050 CREDIT CARD SAT. ROUTER JUNC.	20 A	1			860 VA	648 VA	1	20 A	12		
	13	F-090	20 A	1	1540...	1140...			1	20 A	14	GF	
	15	BEVERAGE DISPENSER D/T	15 A	1		1428...	2013...		2	30 A	16		
	17	P-452 HOT WATER SYSTEM	30 A	2	2013...	240 VA		2013...	2013...	1	20 A	18	
	19										20	GF	
	21	SECURITY CAMERA POWER	20 A	1		600 VA	0 VA		1	0 A	22	ST	
	23	C-026 FRYER	20 A	1			972 VA	100 VA	1	20 A	24		
	25	SHUNT TRIP SPACE	0 A	1	0 VA	500 VA			1	20 A	26		
	27	INTERIOR DIGITAL MENUBOARD	20 A	1		500 VA	500 VA		1	20 A	28		
	29	DINING POS ENTRY 2	20 A	1			680 VA	1800...	1	20 A	30	GF	
	31	DRIVE THRU MONITORS	20 A	1	180 VA	360 VA			1	20 A	32		
	33	RECIRCULATION PUMP	20 A	1		200 VA	1180...		1	20 A	34	IG	
	35	KIOSK POWER - FRONT COUNTER	20 A	1			200 VA	700 VA	1	20 A	36		
	37	MAINTENANCE RECEPTACLE	20 A	1	180 VA	0 VA			1	20 A	38		
	39	Spare	20 A	1		0 VA	0 VA		1	20 A	40		
	41	Spare	20 A	1			0 VA	0 VA	1	20 A	42		
		Total Load:			7993 VA	9961 VA	10646 VA						
		Total Amps:			67 A	86 A	91 A						

Legend:

Load Classification	Connected Load	Demand Factor	Estimated Demand	Panel Totals
Power	23224 VA	100.00%	23224 VA	
Receptacle	2808 VA	100.00%	2808 VA	
				Total Conn. Load: 28600 VA
				Total Est. Demand: 28600 VA
				Total Conn. Current: 79 A
				Total Est. Demand Current: 79 A

Notes:

CIRCUIT BREAKER/MISC. ACC. ABBREVIATIONS:

GF - 5ma GROUND FAULT CIRCUIT INTERRUPTER
AF - ARC-FAULT CIRCUIT INTERRUPTER
ST - SHUNT TRIP
HL-ON - HANDLE-LOCK ON DEVICE
HL-OFF - HANDLE-LOCK OFF DEVICE
EPD - EQUIPMENT PROTECTION DEVICE
IG - ISOLATED GROUND

NOTE

PARKING LOT LIGHTING AND SIGNAGE SHALL PASS THROUGH TBCCB

NOTE TO CONTRACTORS

ALL CONTRACTORS PRIOR TO BID SUBMISSION PROCESS SHALL VISIT PROPOSED WORK SITE AND FIELD VERIFY ALL EXISTING CONDITIONS. ANY CONDITION THAT DIFFERS FROM THAT SHOWN ON THESE PLANS SHALL BE REPORTED TO THE TENANT'S ARCHITECT/ENGINEER SO THAT NEW AND REVISED BID DRAWINGS OR INFORMATION MAY BE ISSUED. MODIFICATION TO THE SCOPE OF WORK WHICH RESULTS FROM THE CONTRACTORS NEGLIGENCE TO VISIT THE SITE PRIOR TO SUBMITTING BID, SHALL BE THE CONTRACTORS SOLE RESPONSIBILITY.

GENERAL NOTE:

FOR PARKING LOT (SITE) LIGHTS AND OUTSIDE SIGNS: PROVIDE (5) 1" C FROM PANEL "B" AND STUB OUT 10'-0" AWAY FROM THE BUILDING. VERIFY EXACT LOCATION OF STUB PRIOR TO ROUGH-IN. LOADS MAY VARY WITH LOCATION. VERIFY OUTDOOR VOLTAGE DROP FOR ALL PARKING LIGHTING (SITE) CIRCUITS.

KEY NOTES:

- PROVIDE LOCK-ON BREAKER.
- CIRCUITS TO BE WIRED THROUGH COMBINED CONTROL BOX CONTACTOR. SEE SHEETS 6.0 AND 6.1.
- PROVIDE 5ma GFI BREAKER. CIRCUIT TO BE WIRED THROUGH TBANS. SEE SHEETS E7.0 AND E7.1.

DATE	REMARKS
1 03.17.22	Issued for Bid

CONTRACT DATE: 10.06.21
BUILDING TYPE: END. MED20
PLAN VERSION: MARCH 2021
BRAND DESIGNER: DICKSON
SITE NUMBER: 0
STORE NUMBER: 0
PA/PM: SM
DRAWN BY.: WCF
JOB NO.: 2020188.06

TACO BELL

3039 Dixie Hwy.
Edgewood, KY 41017



ENDEAVOR 2.0
ELECTRICAL
SCHEDULES

E2.1

PLOT DATE: 5/4/2022 3:33:40 PM



520 S. MAIN STREET, SUIT 2531
AKRON, OH 44311
330.572.2100 FAX: 330.572.2102

COMMERCIAL KITCHEN EQUIPMENT SCHEDULE

EQUIPMENT IDENTIFICATION		EQUIPMENT ELECTRICAL CHARACTERISTICS				EQUIPMENT CIRCUIT				EQUIPMENT DISCONNECT							
TAG	TYPE	EQUIPMENT NAME	V/Ph - WATTS	FLA/LRA	MCA	TIME DELAY FUSE	INVERSE-TIME BREAKER	SETS	BRANCH CIRCUIT	WIRE TYPE	CONDUIT TYPE	TYPE	SIZE	NEMA	SUPPLIED BY	INSTALLED BY	NOTES
B-223	O	B-223 WATER HEATER IGNITION	120 V/1-744 VA	6.2	7.2	20	20	1	#12 W/#12 G IN 3/4"	CU	ST	C&P	20	5-20	ES	ES	2
B-381	O	CO2 CARBON DIOXIDE SENSOR / WARNING	120 V/1-156 VA	1.0	1.3	20	20	1	#12 W/#12 G IN 3/4"	CU	ST	C&P	20	5-20	ES	ES	2
C-026	KR	FRYER	120 V/1-972 VA	8.1	9.8	20	20	1	#12 W/#12 G IN 3/4"	CU	ST	C&P	20	5-20	ES	ES	1,2
C-107	O	REHEAT/REWARMER	120 V/1-240 VA	2.0	2.5	20	20	1	#12 W/#12 G IN 3/4"	CU	ST	C&P	20	5-20	ES	ES	1,2
C-400	O	COOK TIMER	120 V/1-100 VA	0.3	0.4	15	15	1	#12 W/#12 G IN 3/4"	CU	ST	C&P	15	5-15	ES	ES	2
DCL	O	DUAL COOK LINE	208 V/3-52000 VA	145	145	200	200	1	4#3/0 W/#6 G IN 2"	CU	ST	DIRECT	200	J-BOX	ES	ES	8
E1AN	O	TBANS SHUNT PANEL	120 V/1-500 VA	6.3	7.9	20	20	1	#12 W/#12 G IN 3/4"	CU	ST	DIRECT	20	1	ES	ES	8
F-040	O	OFFICE COMPUTER	120 V/1-300 VA	2.5	3.1	20	20	1	#12 W/#12 G IN 3/4"	CU	ST	C&P	20	5-20	ES	ES	2
F-050	O	CREDIT CARD SATELLITE ROUTER JUNCTION	120 V/1-500 VA	4.0	5.0	20	20	1	#12 W/#12 G IN 3/4"	CU	ST	C&P	20	5-20	ES	ES	2
F-090	O	UPS	120 V/1-500 VA	4.0	5.0	20	20	1	#12 W/#12 G IN 3/4"	CU	ST	C&P	20	5-20	ES	ES	2
F-174	O	SAFE W/TOUCHSCREEN CONTROLS	120 V/1-360 VA	3.0	3.8	20	20	1	#12 W/#12 G IN 3/4"	CU	ST	C&P	20	5-20	ES	ES	2
IR-01	O	IRRIGATION TIMER	120 V/1-500 VA	2.0	3.0	20	20	1	#12 W/#12 G IN 3/4"	CU	ST	DIRECT	20	1	ES	ES	8
L-043	O	INTERIOR ROTATING MENU BOARD & REMOTE ALARM LT	120 V/1-500 VA	9.0	11.8	20	20	1	#12 W/#12 G IN 3/4"	CU	ST	C&P	20	5-20	ES	ES	2
L-044	KR	WARMER R TO L	120 V/1-1800 VA	16.0	16.0	20	20	1	#12 W/#12 G IN 3/4"	CU	ST	C&P	20	5-20	ES	ES	2
L-045	KR	WARMER R TO L	120 V/1-1800 VA	16.0	16.0	20	20	1	#12 W/#12 G IN 3/4"	CU	ST	C&P	20	5-20	ES	ES	2
N-043	KR	POWER SOAK	208 V/2-4740 VA	11.4	14.25	15	15	1	#12 W/#12 G IN 3/4"	CU	ST	DIRECT	20	J-BOX	ES	ES	8
N-044	O	S-204 D/T TIMING SYSTEM	120 V/1-216 VA	7.2	9.0	20	20	1	#12 W/#12 G IN 3/4"	CU	ST	C&P	20	5-20	ES	ES	2
P-417	O	TIMER - 8 CHANNEL	120 V/1-180 VA	0.5	0.7	20	20	1	#12 W/#12 G IN 3/4"	CU	ST	C&P	20	5-20	ES	ES	2
P-452	KR	HOT WATER SYSTEM	208 V/2-4026 VA	19.6	24.5	30	30	1	#10 W/#10 G IN 3/4"	CU	ST	C&P	30	6-30	ES	ES	2
R-009	KM	R-009 FULL HEIGHT FREEZER	120 V/1-1140 VA	9.5	11.9	20	20	1	#12 W/#12 G IN 3/4"	CU	ST	C&P	20	5-20	ES	ES	2
S-204	O	S-204 D/T TIMING SYSTEM	120 V/1-216 VA	7.2	9.0	20	20	1	#12 W/#12 G IN 3/4"	CU	ST	C&P	20	5-20	ES	ES	2
S-284	KM	BEVERAGE DISPENSER S/S	120 V/1-1116 VA	9.3	12	20	20	1	#12 W/#12 G IN 3/4"	CU	ST	C&P	20	5-20	ES	ES	2
S-285	KM	S-284 BEVERAGE DISPENSER (D/T)	120 V/1-1428 VA	11.9	14.9	20	20	1	#12 W/#12 G IN 3/4"	CU	ST	C&P	20	5-20	ES	ES	2
S-289	O	CREDIT CARD SATELLITE ROUTER JUNCTION	120 V/1-200 VA	4.0	5.0	20	20	1	#12 W/#12 G IN 3/4"	CU	ST	C&P	20	5-20	ES	ES	2
S-513	KM	CARBONATOR	120 V/1-138 VA	2.3	2.9	15	15	1	#12 W/#12 G IN 3/4"	CU	ST	C&P	15	5-15	ES	ES	2
S-540	O	PEPSI BOOSTER TANK	120 V/1-564 VA	4.7	5.9	20	20	1	#12 W/#12 G IN 3/4"	CU	ST	C&P	20	5-20	ES	ES	2
S-544	O	ICED TEA	120 V/1-240 VA	2.0	2.5	20	20	1	#12 W/#12 G IN 3/4"	CU	ST	C&P	20	5-20	ES	ES	2
S-546	O	BREWER	120 V/1-480 VA	4.0	5.0	20	20	1	#12 W/#12 G IN 3/4"	CU	ST	C&P	20	5-20	ES	ES	2
S-550	O	BAG IN BOX RACK	120 V/1-564 VA	4.7	5.9	20	20	1	#12 W/#12 G IN 3/4"	CU	ST	C&P	20	5-20	ES	ES	2
S-570	KM	CARBONATOR	120 V/1-138 VA	2.3	2.9	15	15	1	#12 W/#12 G IN 3/4"	CU	ST	C&P	15	5-15	ES	ES	2
S-739	KM	S-739 FROZEN BEVERAGE DISPENSER	208 V/2-3120 VA	31.6	39.5	30	30	1	#10 W/#10 G IN 3/4"	CU	ST	C&P	30	6-30	ES	ES	2
SCL	O	SINGLE COOK LINE (OPTIONAL)	208 V/3-28800 VA	80	80	125	125	1	4#1 W/#6 G IN 2"	CU	ST	DIRECT	200	J-BOX	ES	ES	8
U-011	O	BASE STATION - D/T COMM. SYSTEM	120 V/1-180 VA	2	2.4	20	20	1	#12 W/#12 G IN 3/4"	CU	ST	C&P	20	5-20	ES	ES	2
U-050	O	CREDIT CARD SATELLITE ROUTER JUNCTION		1.5	1.9	20	20	1	#12 W/#12 G IN 3/4"	CU	ST	C&P	20	5-20	ES	ES	2
U-061	O	RECEIPT PRINTER		1.5	1.9	20	20	1	#12 W/#12 G IN 3/4"	CU	ST	C&P	20	5-20	ES	ES	2
U-070	O	CREDIT CARD READER	120 V/1-180 VA	1.5	1.9	20	20	1	#12 W/#12 G IN 3/4"	CU	ST	C&P	20	5-20	ES	ES	2
W-XX1	KM	W-075-2 WALK-IN FREEZER	208 V/3-0 VA	11.6	14.5	20	20	1	#12 W/#12 G IN 3/4"	CU	ST	DIRECT	20	J-BOX	ES	ES	2

TYPE: H-HEATING, C-COOLING, KR-KITCHEN RESISTIVE, KM-KITCHEN MOTOR, WH-WATER HEATER, OM-OTHER MOTORS, O-OTHER
DISCONNECT TYPE: HP-HP RATED SWITCH, C&P-CORD & PLUG, LC&P-LOCKING CORD & PLUG, F-FUSED, NF-NON-FUSED, MCCB-MOLDED CASE CIRCUIT BREAKER
SUPPLIED/INSTALLED BY: EC-ELECTRICAL CONTRACTOR, HC-HVAC CONTRACTOR, PC-PLUMBING CONTRACTOR, ES-EQUIPMENT SUPPLIER
VOLTAGE DROP CALCULATION FORMULAS COURTESY OF COOPER BUSSMANN

- NOTES: 1 - REQUIRES SHUNT TRIP PROTECTION
2 - CORD & PLUG SUPPLIED AND INSTALLED BY ES. EC SHALL PROVIDE RECEPTACLE.
3 - CORD & PLUG SUPPLIED BY ES. RECEPTACLE SUPPLIED BY ES AND INSTALLED BY EC.
4 - CORD, PLUG & RECEPTACLE SUPPLIED AND INSTALLED BY EC.
5 - SINGLE PHASE, THREE WIRE EQUIPMENT. PROVIDE NEUTRAL CONDUCTOR AND GROUND.
6 - THREE PHASE, FOUR WIRE EQUIPMENT. PROVIDE NEUTRAL CONDUCTOR AND GROUND.
7 - OUTLETS SUPPLIED AND INSTALLED BY ES. CONDUIT & WIRING PROVIDED BY EC.
8 - HARDWIRED CONNECTION BY E.C.

REFER TO ARCHITECTURAL EQUIPMENT SCHEDULE FOR ALL KITCHEN EQUIPMENT AND FINAL COORDINATION

Panel: D

Location: MSB
Supply From: MSB
Mounting: Recessed
Enclosure: Type 1

Volts: 120/208 Wye
Phases: 3
Wires: 4

A.I.C. Rating: SERIES
Mains Type: M.L.O.
Mains Rating: 400 A
MCB Rating: N/A

Notes:

NOTES	CKT	Load Name	Trip	Poles	A	B	C	Poles	Trip	Load Name	CKT	NOTES		
GF	1	CARBONATOR	15 A	1	276 VA	0 VA		1	20 A	Spare	2			
GF	3	B-223 WATER HEATER IGNITION	20 A	1		744 VA	1000...	1	20 A	ALTERNATE PAYMENT ROUTER BOX...	4			
	5	OC SWITCHED RECEPTACLE	20 A	1			180 VA	680 VA	1	20 A	IRRIGATION TIMER AND RECEPTACLE	6	GF	
GF	7	S-540 PEPSI BOOSTER TANK	20 A	1	564 VA	500 VA			1	20 A	MUSIC SYSTEM J-BOX AND...	8		
	9	RECEPTACLES - ROOF	20 A	1		540 VA	1560...		2	30 A	S-739 FROZEN BEV. DISP.	10	GF	
	11	CONVIENCE RECEPTACLES	20 A	1			360 VA	1560...				12		
GF	13	GENERAL PURPOSE RECEPTACLES	20 A	1	1440...	1600...			2	20 A	ICE MAKER CONDENSER D/T	14		
	15	DRINK FOUNTAIN - S-284 AND R-XX1	20 A	1		1254...	1600...					16		
	17	ICE MAKER CONDENSER	20 A	2			1600...	1600...	2	20 A	ICE MAKER CONDENSER	18		
	19	S-550 BAG IN BOX RACK	20 A	1	1600...	1600...						20		
GF	21	B-381 AMPROBE CO2 MONITOR	20 A	1		564 VA	2370...		2	20 A	POWER SOAK	22	GF	
	23		20 A	1			156 VA	2370...				24		
	25				3939...	500 VA			1	20 A	MUSIC SYSTEM (MUZAK)	26		
	27	RTU-1	50 A	3			3939...	1200...				28		
	29											30		
	31				5760...	1200...		3939...	1200...	3	15 A	WALK-IN COOLER	32	
	33	RTU-2	70 A	3			5760...	1393...				34		
	35							5760...	1393...	3	20 A	WALK-IN FREEZER	36	
	37	Spare	20 A	1	0 VA	1393...						38		
	39	Spare	20 A	1			0 VA	0 VA	1	20 A	Spare	40		
	41	Spare	20 A	1				0 VA	0 VA	1	20 A	Spare	42	
					Total Load:	20372 VA	21924 VA	20798 VA						
					Total Amps:	170 A	183 A	174 A						

Legend:

Load Classification	Connected Load	Demand Factor	Estimated Demand	Panel Totals
Power	4928 VA	100.00%	4928 VA	
HVAC	29096 VA	100.00%	29096 VA	Total Conn. Load: 62913 VA
Receptacle	2120 VA	100.00%	2120 VA	Total Est. Demand: 59627 VA
				Total Conn. Current: 175 A
				Total Est. Demand Current: 166 A

Notes:

CIRCUIT BREAKER/MISC. ACC. ABBREVIATIONS:

- GF - GROUND FAULT CIRCUIT INTERRUPTER
AF - ARC-FAULT CIRCUIT INTERRUPTER
ST - SHUNT TRIP
HL-ON - HANDLE-LOCK ON DEVICE
HL-OFF - HANDLE-LOCK OFF DEVICE
EPD - EQUIPMENT PROTECTION DEVICE
IG - ISOLATED GROUND

DATE	REMARKS
1 03.17.22	Issued for Bid

CONTRACT DATE: 10.06.21
BUILDING TYPE: END. MED20
PLAN VERSION: MARCH 2021
BRAND DESIGNER: DICKSON
SITE NUMBER: 0
STORE NUMBER: 0
PA/PM: SM
DRAWN BY.: WCF
JOB NO.: 2020188.06

TACO BELL

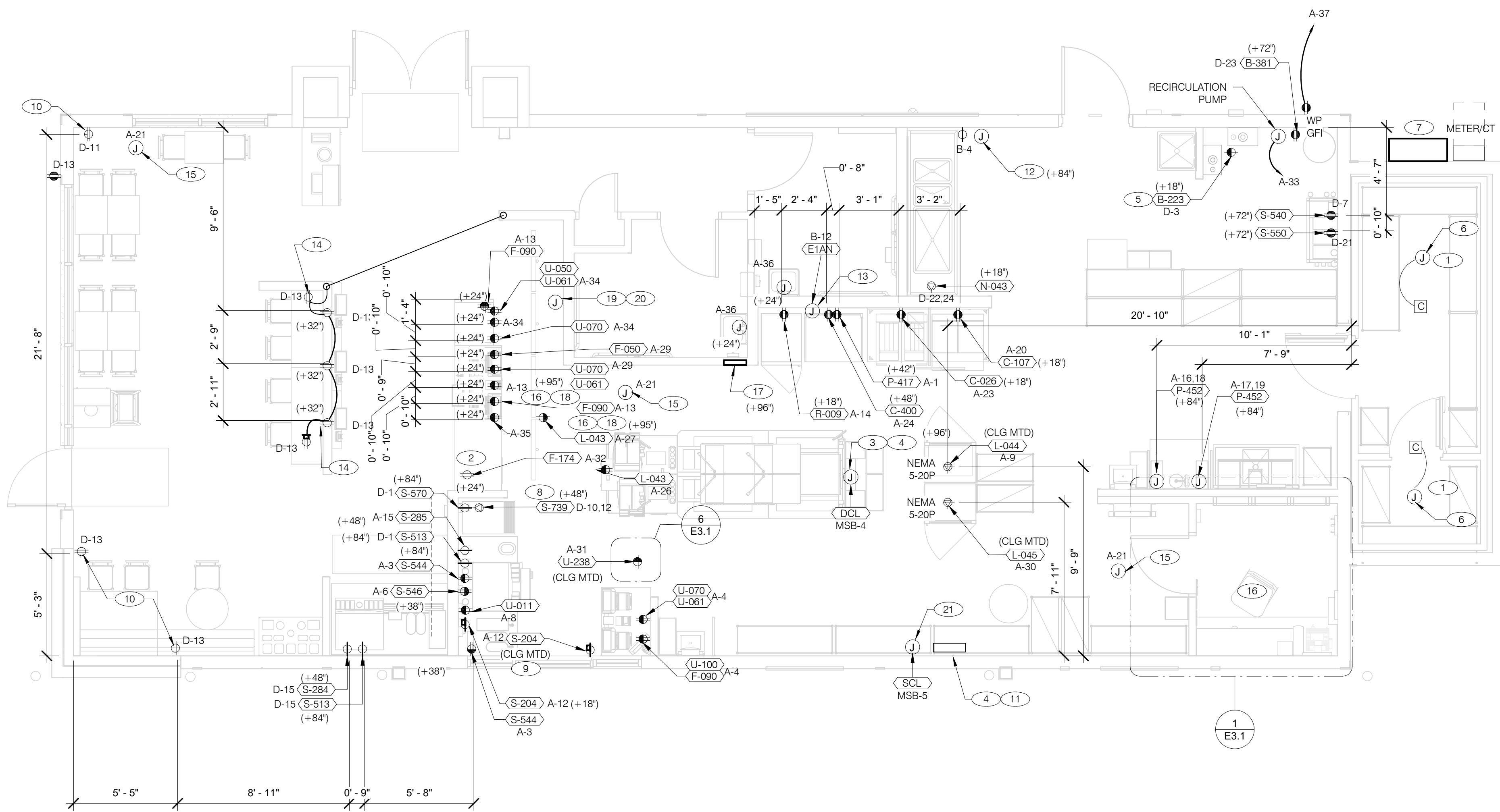
3039 Dixie Hwy,
Edgewood, KY 41017



ENDEAVOR 2.0
**ELECTRICAL
SCHEDULES**

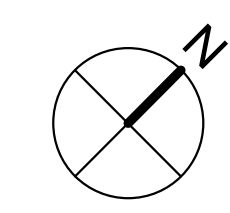
E2.2

PLOT DATE: 5/4/2022 3:33:41 PM



RECEPTACLE NOTE:
ALL RECEPTACLES IN PUBLIC AREAS SHALL BE TAMPER RESISTANT.

NOTE
5mA GFCI BREAKERS MUST BE USED WHERE OUTLETS REQUIREING GFCI PROTECTION ARE NOT ACCESSIBLE FOR COMPLIANCE WITH NEC 210.8. WHERE GFCI PROTECTION AND SHUNT TRIP IS REQUIRED, THE CIRCUIT SHALL HAVE A GFCI BREAKER AND PASS THROUGH THE TRANS PANEL REFER TO DETAILS IN E7.0 AND E7.1.



DATE	REMARKS
03.17.22	Issued for Bid

CONTRACT DATE: 10.06.21
BUILDING TYPE: END, MED20
PLAN VERSION: MARCH 2021
BRAND DESIGNER: DICKSON
SITE NUMBER: 0
STORE NUMBER: 0
PA/PM: SM
DRAWN BY: WCF
JOB NO.: 2020188.06

POWER PLAN 1/4" = 1'-0" **A**

- A. ALL DIMENSIONS TO J-BOXES ARE FROM FACE OF STUD TO CENTER OF BOX, U.O.N.
- B. ALL CONDUIT DROPS ARE INSIDE WALLS U.O.N. SEE ARCH. DWGS FOR WALL DIMS.
- C. ALL J-BOX CIRCUITS, CONDUITS, FIXTURES, ETC. SHALL BE AS INDICATED ON THE ELECT. DWGS AND SPECS.
- D. CONTRACTOR SHALL VERIFY UNDERGROUND CONDUIT LOCATIONS PRIOR TO POURING SLAB.
- E. IT IS THE RESPONSIBILITY OF THE CONTRACTOR TO COORDINATE THIS DATA ON THE LOCATION OF ELECT. ROUGH-INS WITH INFO PROVIDED ON THE ARCH. AND STRUCT. DWGS AND THE EQUIPMENT ACTUALLY SUPPLIED, AND TO CONFIRM THE CORRECTNESS OF ANY DIMENSIONS HEREIN.
- F. LOCATIONS OF ALL OUTLETS MAY BE RELOCATED TO NEAREST STUD. DO NOT CUT INTO STUDS.
- G. FOR EXACT LOCATIONS OF KITCHEN & MECHANICAL EQUIPMENT AND POINTS OF CONNECTION, REFER TO KITCHEN & MECHANICAL EQUIPMENT DRAWINGS AND MANUFACTURERS SHOP DRAWINGS.
- H. ALL CIRCUIT FEEDERS AND DISCONNECTS SHALL BE SIZED BY NEC.
- I. CONTRACTOR SHALL VERIFY CIRCUIT BREAKER, DISCONNECT SWITCH, STARTER AND FUSE SIZES WITH SELECTED EQUIPMENT MANUFACTURERS SHOP DRAWINGS PRIOR TO PLACING ORDER AND PROVIDE EVERYTHING AS REQUIRED.
- J. ELECTRICAL EQUIPMENT ENCLOSURES SHALL BE NEMA-1 FOR INTERIOR AND NEMA 3R FOR EXTERIOR. IN COASTAL REGIONS THE STANDARD FOR OUTSIDE SHALL BE NEMA-4X, U.O.N.
- K. PER SECTION 210.8(B)(3) NEC 2017, ALL SINGLE PHASE RECEPTACLES RATED 150 VOLTS TO GROUND OR LESS, 50 AMPERES OR LESS AND THREE-PHASE RECEPTACLES RATED 150 VOLTS TO GROUND OR LESS, 100 AMPERES OR LESS INSTALLED IN BATHROOMS, KITCHENS, OUTDOORS, SHALL HAVE GROUND-FAULT CIRCUIT INTERRUPTER PROTECTION FOR PERSONNEL.
- L. DO NOT MEASURE/LOCATE OUTLETS ON DRAWINGS. USE DIMENSIONS PROVIDED.
- M. CONDUIT MAY RUN UNDER SLAB AT G.C.'S DISCRETION.
- N. E.C. SHALL PROVIDE A PREPRINTED SELF-ADHESIVE LABEL ON ALL POS RECEPTACLES STATING "POS USE ONLY".
- O. PROVIDE ESCUTCHEON PLATES AND SEALANT AT ALL UTILITY PENETRATIONS INTO WALLS, CEILING, AND FLOORS. DO NOT USE CAULKS OR EXPANSION FOAM FOR SEALANT.
- P. ARMOR CABLE (BX) ALLOWED WHERE ACCEPTABLE BY CODE. ALL WIRE SHALL BE CONCEALED O.N.U.
- Q. FOR ALL CIRCUITS NOT SHOWN ON EQUIPMENT SCHEDULE, CONTRACTOR SHALL PROVIDE CONDUCTOR AND CONDUIT SIZES AS SHOWN ON BRANCH CIRCUIT WIRING SCHEDULE SHOWN ON E2.2. IF SIZES DIFFER FROM N.E.C., THE MORE STRINGENT (LARGER) SIZE SHALL BE PROVIDED.
- R. OUTLETS WITHIN FOH TO BE AT 18" AFF FOR ADA ACCESS.
- S. CONDUITS NEAR DRIVE THRU WINDOW AREA TO BE ROUTED FROM ABOVE CEILING OR STUBBED UP FROM UNDER SLAB SO AS TO NOT INTERFERE WITH WINDOW FRAMING.

- 1 REFER TO ROOF PLAN.
- 2 INSTALL IN CONDUIT RUNNING ON SURFACE OF KITCHEN SIDE OF CABINETRY REAR WALL.
- 3 CONNECT PRODUCTION LINE CIRCUIT BREAKER PANEL VIA UTILITY CHASE IN CEILING TO A 3 POLE, 200 AMP CIRCUIT BREAKER IN MAIN SWITCHBOARD. SEE SHEET E2.0. VERIFY ALL REQUIREMENTS WITH ACTUAL EQUIPMENT SPECIFIED. THE MANUFACTURER WILL FULLY PRE-WIRE THE COMPLETE MAPS LINE AT THE FACTORY. THE UNITS WILL THEN BE PULLED APART FOR SHIPPING PURPOSES. ALL CONNECTION POINTS WILL BE MARKED. THE CONDUIT RUNS WILL BE COILED UP FOR FIELD INSTALLATION. SOME ELECTRICAL COMPONENTS MAY BE REMOVED FOR EASE OF DISASSEMBLING THE LINE-UP. THE ELECTRICAL CONTRACTOR WILL BE FULLY RESPONSIBLE FOR MAKING THE PROPER FIELD CONNECTIONS FROM THE ROUGH-IN LOCATION TO THE MANUFACTURER PROVIDED BREAKER PANEL BOX. IN ADDITION, THE ELECTRICAL CONTRACTOR WILL BE RESPONSIBLE FOR ANY SPLICE POINTS AND/OR JUNCTION BOXES THAT NEED TO BE RECONNECTED. SOME ELECTRICAL COMPONENT ASSEMBLY MAY ALSO BE REQUIRED.
- 4 EQUIPMENT CABINET.
- 5 LOCATED INSIDE SHELL OF HEATER.
- 6 INSTALL CONTROL CABLE FROM FREEZER/COOLER FAN COIL TO ROOF MOUNTED CONDENSOR.
- 7 LOCATE SWITCHGEAR PER GUIDELINES ON SHEET A4.1.
- 8 PROVIDE BOOST TRANSFORMER (208V, 1-PHASE IN, 240V, 1-PHASE OUT) FOR FROZEN BEVERAGE DISPENSER.
- 9 CEILING MOUNTED FOR WALL MOUNTED HME. SEE 7/E3.1
- 10 PROVIDE TAMPER RESISTANT DUPLEX RECEPTACLE WITH TWO (2) USB CHARGING PORTS.
- 11 VERIFY PANEL LOCATION OF COOK LINE WITH TACO BELL CONSTRUCTION MANAGER PRIOR TO INSTALLATION.
- 12 PROVIDE J-BOX FOR POWER SOAK INDICATOR LIGHT. (OPTIONAL)
- 13 VERIFY LOCATION OF JUNCTION BOX WITH CONSTRUCTION MANAGER.
- 14 E.C. SHALL PROVIDE, INSTALL AND WIRE A DUPLEX RECEPTACLE WITH (2) USB POWER PORTS IN SINGLE-GANG BOX PROVIDED WITH TABLE, AT EACH END OF THE TABLE. PROVIDE GALVANIZED COVER PLATE TO MATCH BOX.
- 15 PROVIDE POWER FOR SECURITY CAMERAS. COORDINATE WITH CAMERA VENDOR, SECURITY, AND CONSTRUCTION SUPERVISOR PRIOR TO ROUGH-IN.
- 16 QUAD RECEPTACLE FOR FUTURE DIGITAL MENUBOARD. TYPICAL OF 2.
- 17 2-GANG FLUSH BOX WITH DEAD-FRONT GFCI DEVICES. MOUNT CENTER OF BOX AT 48" A.F.F.. REFER TO E7.0.
- 18 EC / GC TO INSTALL A TOTAL OF (2) QUAD OUTLETS IN (2) QUAD BOXES ON FRONT OF VALANCE WALL AS SHOWN. OUTLETS TO BE STRAIGHT BLADE. OUTLETS TO BE ON AN ISOLATED/DEDICATED GROUNDED CIRCUIT THAT IS NOT CONNECTED TO ANY RESTAURANT POWER MANAGEMENT SYSTEM.
- 19 EC / GC TO INSTALL (1) OPEN DATA JUNCTION BOX (JB) IN VALANCE WALL. CONDUIT TERMINATED ABOVE CEILING TO HAVE BUSHING.
- 20 EC / GC TO RUN (3) ORANGE CAT 6 LINES FROM NETWORK SWITCH TO DATA JUNCTION BOX. CAT6 LINES SHOULD HAVE BOTH ENDS PROPERLY TERMINATED WITH RJ-45 CONNECTORS. EXCESS CAT6 CABLE TO BE COILED INTO SERVICE LOOPS AT EACH END AND LEFT ACCESSIBLE FOR DMB INSTALL TEAM. CAT6 TO BE RUN IN ACCORDANCE WITH ALL LOCAL MUNICIPALITY CODE REQUIREMENTS.
- 21 CONNECT PRODUCTION LINE CIRCUIT BREAKER PANEL VIA UTILITY CHASE IN CEILING TO A 3 POLE, 125 AMP CIRCUIT BREAKER IN MAIN SWITCHBOARD. SEE SHEET E2.0. VERIFY ALL REQUIREMENTS WITH ACTUAL EQUIPMENT SPECIFIED. THE MANUFACTURER WILL FULLY PRE-WIRE THE COMPLETE MAPS LINE AT THE FACTORY. THE UNITS WILL THEN BE PULLED APART FOR SHIPPING PURPOSES. ALL CONNECTION POINTS WILL BE MARKED. THE CONDUIT RUNS WILL BE COILED UP FOR FIELD INSTALLATION. SOME ELECTRICAL COMPONENTS MAY BE REMOVED FOR EASE OF DISASSEMBLING THE LINE-UP. THE ELECTRICAL CONTRACTOR WILL BE FULLY RESPONSIBLE FOR MAKING THE PROPER FIELD CONNECTIONS FROM THE ROUGH-IN LOCATION TO THE MANUFACTURER PROVIDED BREAKER PANEL BOX. IN ADDITION, THE ELECTRICAL CONTRACTOR WILL BE RESPONSIBLE FOR ANY SPLICE POINTS AND/OR JUNCTION BOXES THAT NEED TO BE RECONNECTED. SOME ELECTRICAL COMPONENT ASSEMBLY MAY ALSO BE REQUIRED.

- 10 PROVIDE TAMPER RESISTANT DUPLEX RECEPTACLE WITH TWO (2) USB CHARGING PORTS.
- 11 VERIFY PANEL LOCATION OF COOK LINE WITH TACO BELL CONSTRUCTION MANAGER PRIOR TO INSTALLATION.
- 12 PROVIDE J-BOX FOR POWER SOAK INDICATOR LIGHT. (OPTIONAL)
- 13 VERIFY LOCATION OF JUNCTION BOX WITH CONSTRUCTION MANAGER.
- 14 E.C. SHALL PROVIDE, INSTALL AND WIRE A DUPLEX RECEPTACLE WITH (2) USB POWER PORTS IN SINGLE-GANG BOX PROVIDED WITH TABLE, AT EACH END OF THE TABLE. PROVIDE GALVANIZED COVER PLATE TO MATCH BOX.
- 15 PROVIDE POWER FOR SECURITY CAMERAS. COORDINATE WITH CAMERA VENDOR, SECURITY, AND CONSTRUCTION SUPERVISOR PRIOR TO ROUGH-IN.
- 16 QUAD RECEPTACLE FOR FUTURE DIGITAL MENUBOARD. TYPICAL OF 2.
- 17 2-GANG FLUSH BOX WITH DEAD-FRONT GFCI DEVICES. MOUNT CENTER OF BOX AT 48" A.F.F.. REFER TO E7.0.
- 18 EC / GC TO INSTALL A TOTAL OF (2) QUAD OUTLETS IN (2) QUAD BOXES ON FRONT OF VALANCE WALL AS SHOWN. OUTLETS TO BE STRAIGHT BLADE. OUTLETS TO BE ON AN ISOLATED/DEDICATED GROUNDED CIRCUIT THAT IS NOT CONNECTED TO ANY RESTAURANT POWER MANAGEMENT SYSTEM.
- 19 EC / GC TO INSTALL (1) OPEN DATA JUNCTION BOX (JB) IN VALANCE WALL. CONDUIT TERMINATED ABOVE CEILING TO HAVE BUSHING.
- 20 EC / GC TO RUN (3) ORANGE CAT 6 LINES FROM NETWORK SWITCH TO DATA JUNCTION BOX. CAT6 LINES SHOULD HAVE BOTH ENDS PROPERLY TERMINATED WITH RJ-45 CONNECTORS. EXCESS CAT6 CABLE TO BE COILED INTO SERVICE LOOPS AT EACH END AND LEFT ACCESSIBLE FOR DMB INSTALL TEAM. CAT6 TO BE RUN IN ACCORDANCE WITH ALL LOCAL MUNICIPALITY CODE REQUIREMENTS.
- 21 CONNECT PRODUCTION LINE CIRCUIT BREAKER PANEL VIA UTILITY CHASE IN CEILING TO A 3 POLE, 125 AMP CIRCUIT BREAKER IN MAIN SWITCHBOARD. SEE SHEET E2.0. VERIFY ALL REQUIREMENTS WITH ACTUAL EQUIPMENT SPECIFIED. THE MANUFACTURER WILL FULLY PRE-WIRE THE COMPLETE MAPS LINE AT THE FACTORY. THE UNITS WILL THEN BE PULLED APART FOR SHIPPING PURPOSES. ALL CONNECTION POINTS WILL BE MARKED. THE CONDUIT RUNS WILL BE COILED UP FOR FIELD INSTALLATION. SOME ELECTRICAL COMPONENTS MAY BE REMOVED FOR EASE OF DISASSEMBLING THE LINE-UP. THE ELECTRICAL CONTRACTOR WILL BE FULLY RESPONSIBLE FOR MAKING THE PROPER FIELD CONNECTIONS FROM THE ROUGH-IN LOCATION TO THE MANUFACTURER PROVIDED BREAKER PANEL BOX. IN ADDITION, THE ELECTRICAL CONTRACTOR WILL BE RESPONSIBLE FOR ANY SPLICE POINTS AND/OR JUNCTION BOXES THAT NEED TO BE RECONNECTED. SOME ELECTRICAL COMPONENT ASSEMBLY MAY ALSO BE REQUIRED.

GENERAL NOTES - ELECTRICAL POWER PLAN NTS **C**

KEY NOTES - ELECTRICAL POWER PLAN NTS **B**

TACO BELL
3039 Dixie Hwy,
Edgewood, KY 41017



ENDEAVOR 2.0 ELECTRICAL POWER PLAN

E3.0

C:\Users\mg\OneDrive - GPD Group\Documents\EPF_S\00_E\Range\KV\Network_drawing\E3.0\REV1.rvt

THE DEDICATED POS POWER CIRCUIT REQUIRES AN ISOLATED GROUND IN ADDITION TO THE NORMAL COMMON BUILDING GROUND. THE ISOLATED GROUND WIRE SERVES TWO PURPOSES:
 * AS A SAFETY PATH TO GROUND.
 * AS A ZERO REFERENCE POINT FOR ALL POS DIGITAL LOGIC.

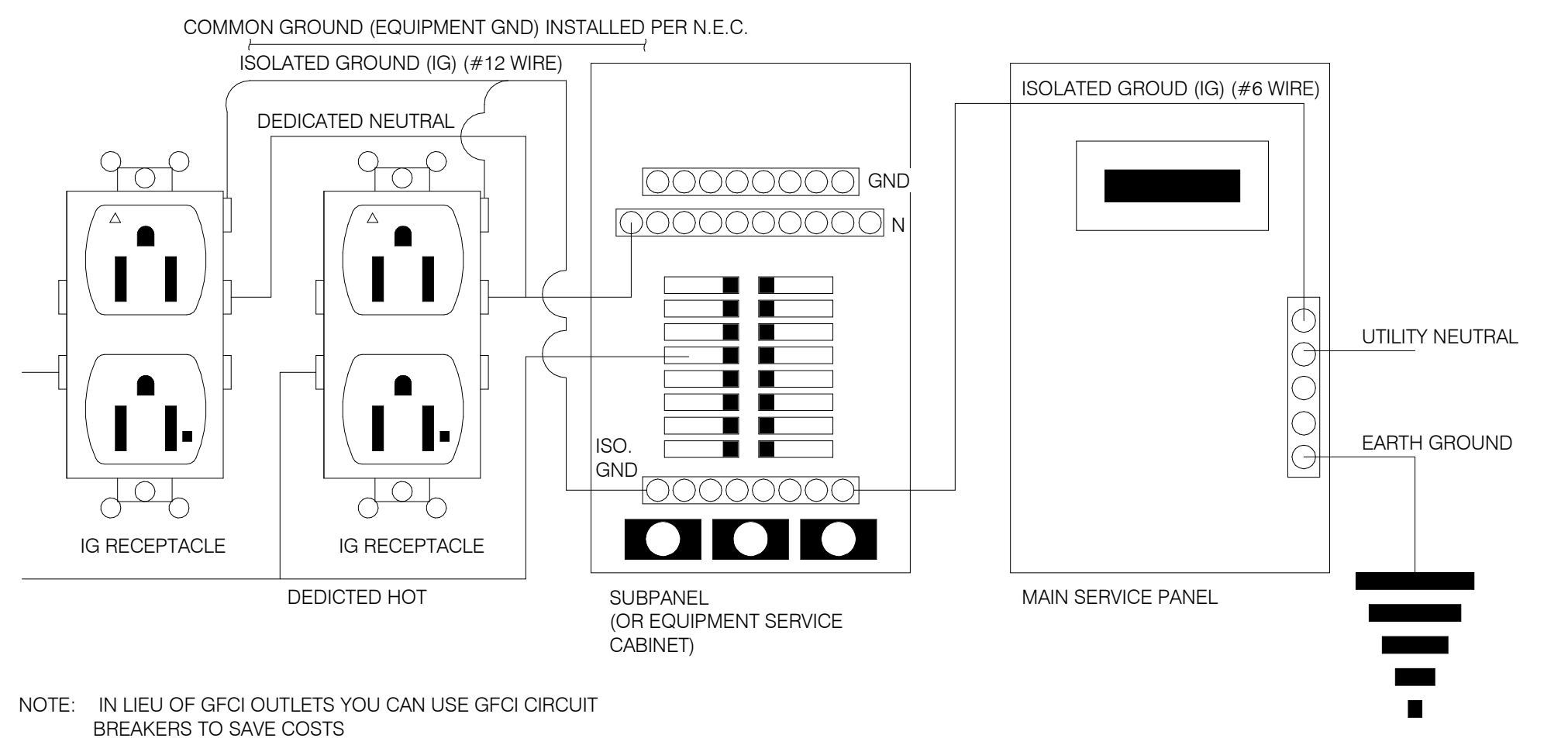
THE GROUND MUST EXHIBIT THE LOWEST POSSIBLE IMPEDANCE TO MINIMIZE VOLTAGE TRANSIENTS AND NOISE.

BE SURE TO:

- * USE AN INSULATED CONDUCTOR FOR THE ISOLATED GROUND WIRE.
- * RUN THE ISOLATED GROUND WIRE THROUGH THE SAME CONDUIT AS THE HOT AND NEUTRAL WIRES.
- * INSTALL ONLY ISOLATED GROUND (IG) TYPE RECEPTACLES.
- * CONNECT THE ISOLATED GROUND WIRE TO BUILDING GROUND ONLY AT THE MAIN SERVICE PANEL.
- * VERIFY THAT IG RECEPTACLES PRE-WIRED IN OWNER SUPPLIED EQUIPMENT HAVE A TRUE ISOLATED GROUND THAT CAN BE TRACED BACK TO THE BUILDING GROUND AT THE MAIN SERVICE PANEL.

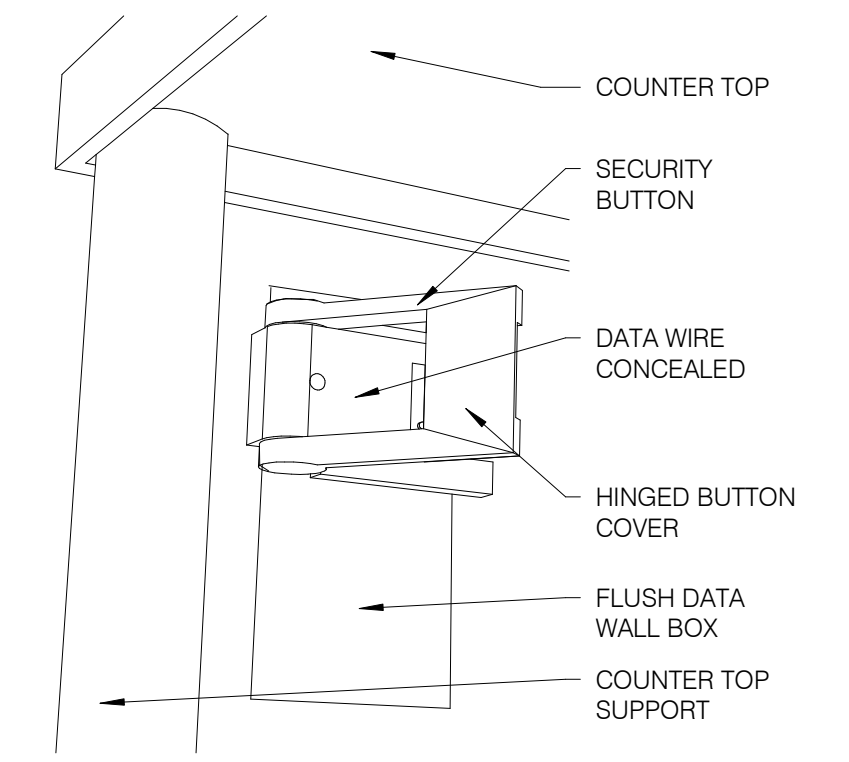
DO NOT CONNECT THE ISOLATED GROUND WIRE TO THE CONDUIT, JUNCTION BOXES, THE FRAME ON A SUBPANEL, OR ANY OTHER METAL SURFACE.

DEDICATED CIRCUITS: DEDICATED CIRCUITS REQUIRE A DEDICATED HOT AND A DEDICATED NEUTRAL THAT ARE NOT SHARED WITH ANY OTHER CIRCUITS. IG RECEPTACLES MUST BE "PHASE ALIGNED" WITH THE "B" PHASE OF BUILDING SUBPANEL "A".

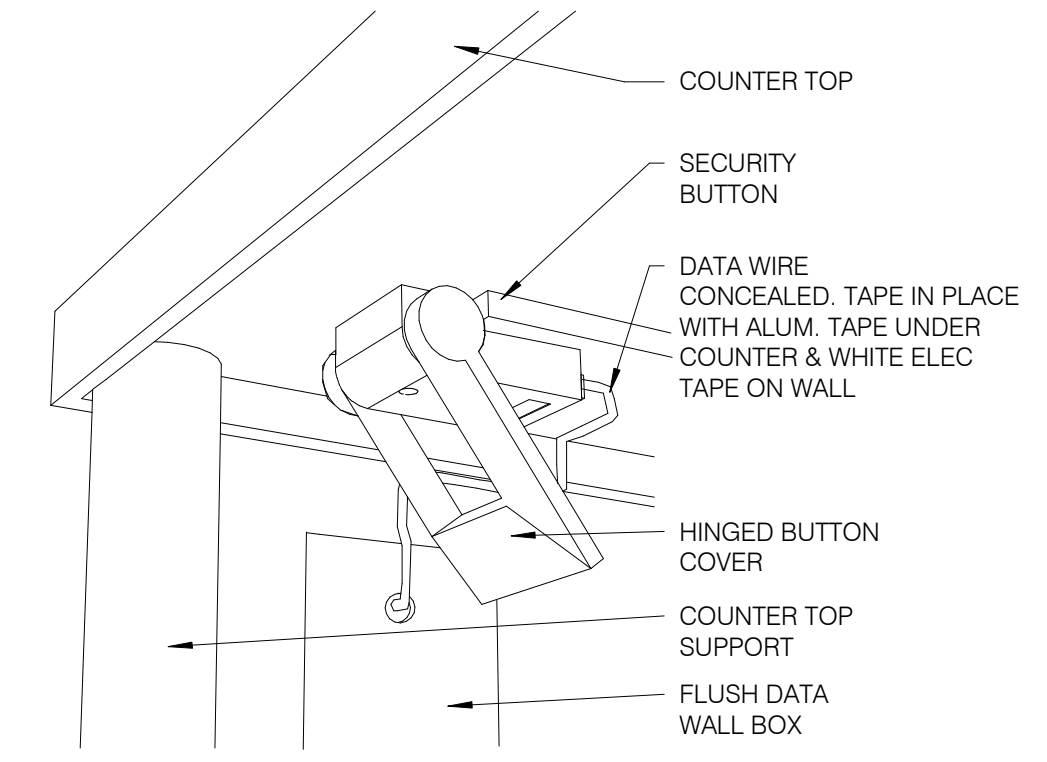


NOTE: IN LIEU OF GFCI OUTLETS YOU CAN USE GFCI CIRCUIT BREAKERS TO SAVE COSTS

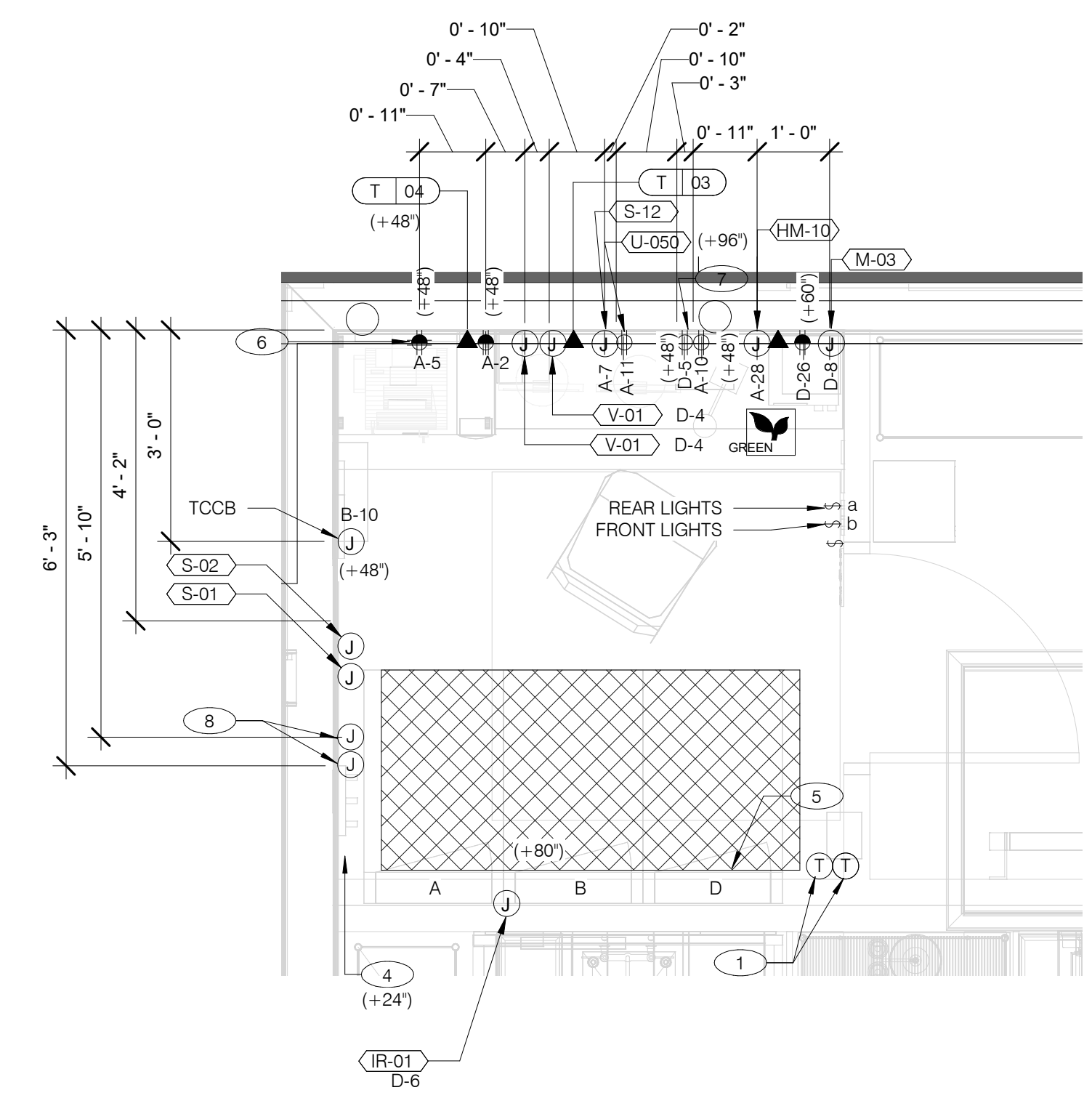
P.O.S. ISOLATED GROUND SYSTEM NTS **6**



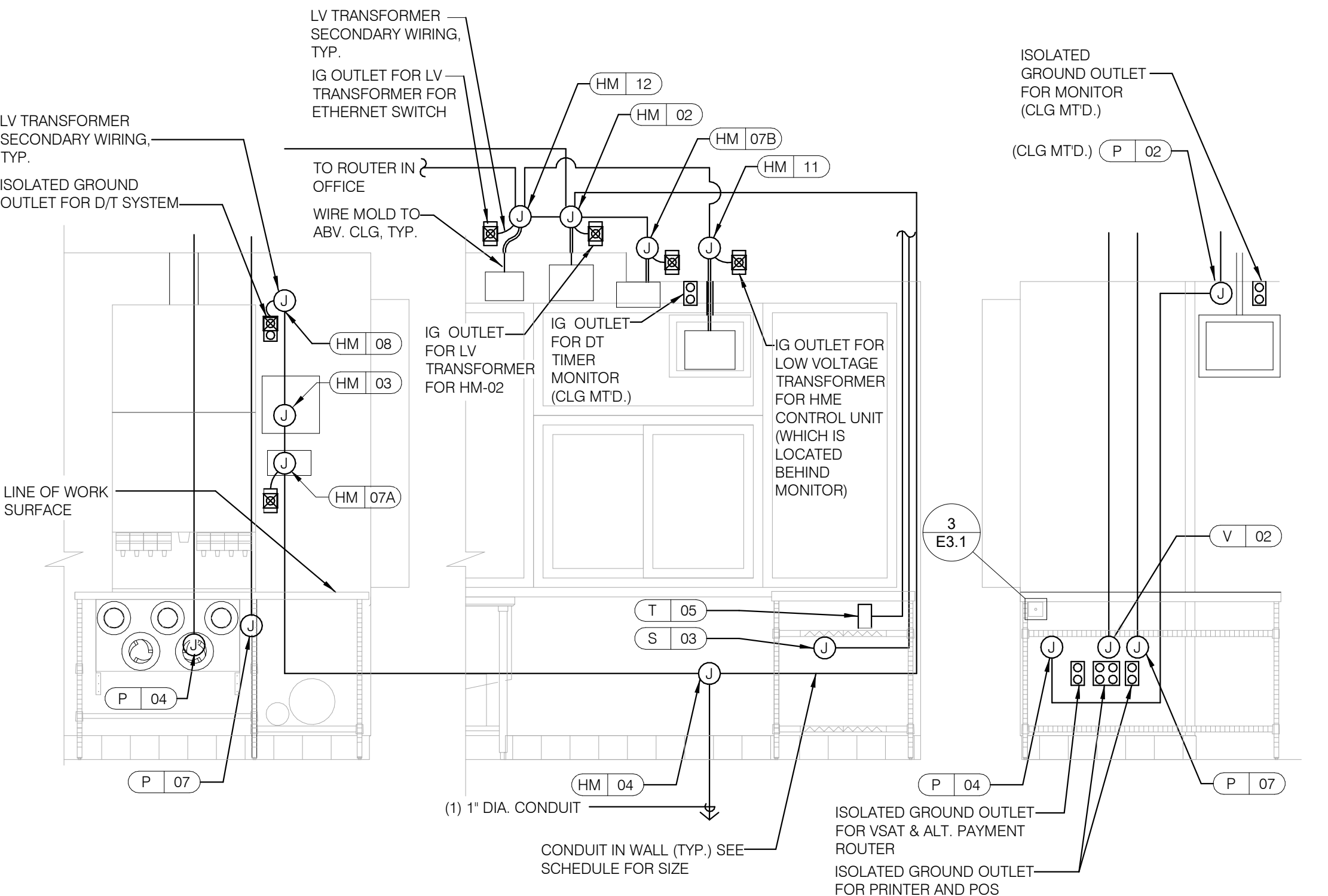
SECURITY BUTTON ON WALL NTS **3**



SECURITY BUTTON UNDER COUNTER NTS **4**



ENLARGED POWER AND COMMUNICATIONS PLAN (OFFICE) 1/2" = 1'-0" **1**



REFER TO COMMUNICATIONS SCHEDULE ON SHEET E5.0 FOR EQUIPMENT DESCRIPTIONS/MOUNTING HTS.

ENLARGED INTERIOR ELEVATION (D/T WINDOW) NTS **7**

NOTE
 TBCCB AND TBANS REQUIRE VISUAL INSTALLATION VERIFICATION CERTIFICATE. CONTACT CERTIFY@ACE-BCX.COM OR CALL 949 770 2222 FOR CERTIFICATE. SEE SHEET SW2.0

- 1 THERMOSTATS CONTROLS.
- 2 NOT USED.
- 3 NOT USED.
- 4 PHONE JACK FOR MODEM.
- 5 LOCATION OF TBCCB COMBINED CONTROL BOX. COORDINATE EXACT LOCATION IN THE FIELD. CONSIDER OPERATOR NEED TO ACCESS SWITCHES ON THE FRONT OF THE CONTROL BOX AND BUILT IN OCCUPANCY SENSOR FOR MANAGERS OFFICE.
- 6 DATA JACK FOR TECH-IN-A-BOX WITH 2 PORTS.
- 7 ROUTE CIRCUIT THROUGH TBCCB OCCUPANCY SENSOR FOR CONTROLLED RECEPTACLE.
- 8 PROVIDE BACK-BOX AND CONDUIT WITH PULLSTRING FOR REMOTE TEST STATIONS PROVIDED BY MECHANICAL. COORDINATE REQUIREMENTS WITH MECHANICAL.

DATE	REMARKS
1 03.17.22	Issued for Bid

CONTRACT DATE: 10.06.21
 BUILDING TYPE: END, MED20
 PLAN VERSION: MARCH 2021
 BRAND DESIGNER: DICKSON
 SITE NUMBER: 0
 STORE NUMBER: 0
 PA/PM: SM
 DRAWN BY.: WCF
 JOB NO.: 2020188.06

TACO BELL
 3039 Dixie Hwy,
 Edgewood, KY 41017

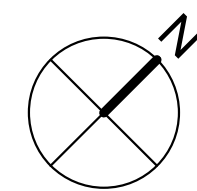
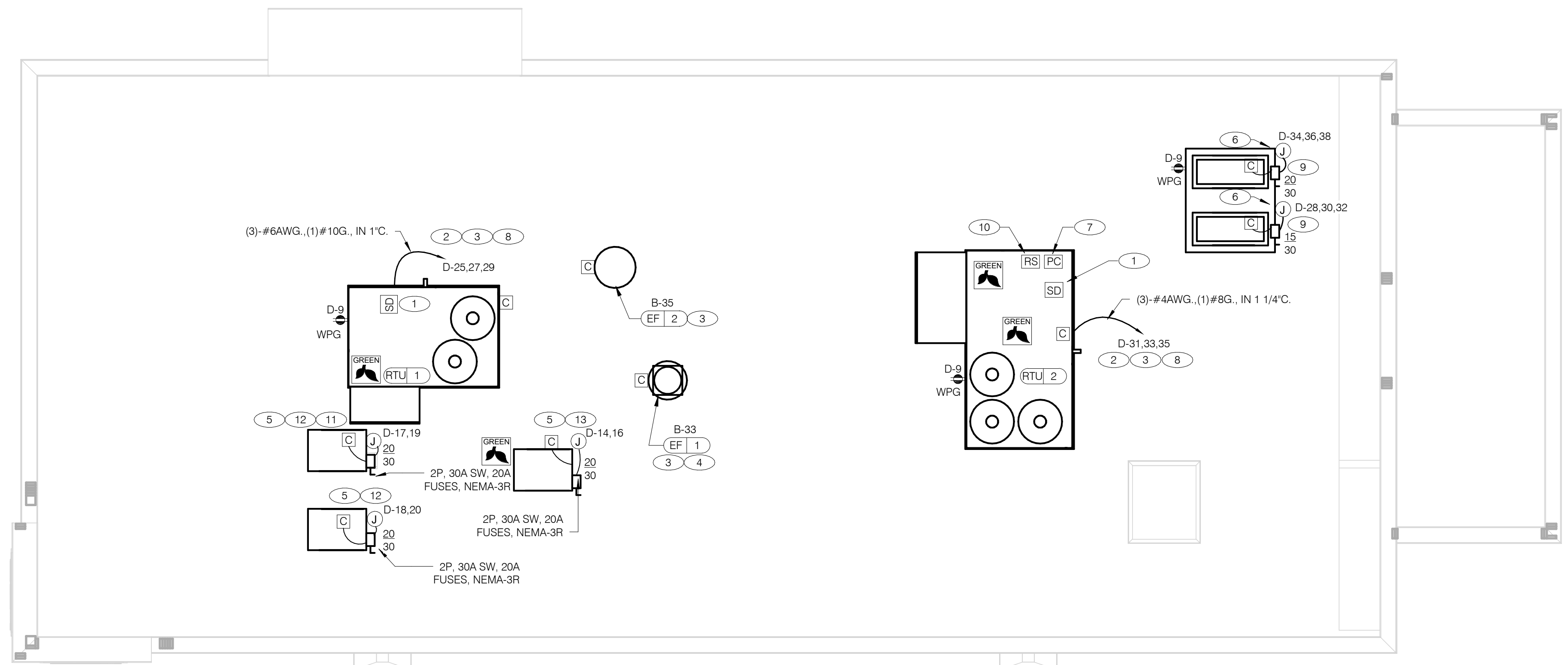


ENDEAVOR 2.0
ENLARGED POWER PLAN AND DETAILS

E3.1

PLOT DATE: 5/4/2022 3:33:43 PM

KEY NOTES - ELECTRICAL ENLARGED DETAILS NTS **2**



POWER ROOF PLAN 1/4" = 1'-0" **A**

- A. NO CONDUIT SHALL BE FASTENED DIRECTLY TO OR THROUGH ROOFING MEMBRANE.
- B. ALL CUTS IN ROOFING MEMBRANE SHALL BE MINIMAL AND IN ACCORDANCE WITH ROOFING MFRS AND INSTALLER'S REQ'S.
- C. REFER TO MECH. DWGS FOR MECHANICAL EQUIPMENT ELECTRICAL REQ'S.
- D. ALL EXPOSED ELECTRICAL CONDUITS SHALL PENETRATE ROOF MEMBRANE AT PIPE HOODS U.O.N.
- E. REFER TO ELECT. EQUIP. SCHEDULE AND ELECT. ROUGH-IN PLAN.
- F. ALL CONDUITS FROM EXHAUST FANS SHALL BE ROUTED INSIDE OF CURB.
- G. ALL CONDUITS TO AND FROM RTU SHALL BE ROUTED INSIDE OF RTU CURB. COORDINATE WITH RTU MFR RECOMMENDATIONS.
- H. REFER TO GENERAL NOTES SHEET E2.0 FOR IMPORTANT INFORMATION.
- I. ALL WIRING AND CONDUITS SHALL BE CONCEALED, NO CONDUITS PERMITTED TO RUN EXPOSED ACROSS ROOF DECK. ROUTE ALL CONDUITS THROUGH EQUIPMENT ROOF CURBS OR ARCHITECT SPECIFIED ROOF PENETRATIONS.
- J. ARMOR CABLE (BX) IS ONLY TO BE ALLOWED WHERE ACCEPTABLE BY AUTHORITY HAVING JURISDICTION.

GENERAL NOTES - ELECTRICAL POWER ROOF PLAN NTS **C**

- 1 MECHANICAL CONTRACTOR SHALL PROVIDE CONNECTIONS BETWEEN RTU FACTORY SMOKE DETECTORS AND REMOTE ENUNCIATOR, TEST AND RESET DEVICE IN MANAGER OFFICE. ELECTRICAL CONTRACTOR SHALL PROVIDE ANY NECESSARY CONDUITS FOR LOW VOLTAGE WIRING.
- 2 SPECIFIED RTU IS SUPPLIED WITH UNPOWERED, WEATHERPROOF GFCI CONVIENCE OUTLET AND FACTORY INSTALLED HACR CIRCUIT BREAKER WITH WEATHER TIGHT ENCLOSURES AND ACCESS THRU SWINGING DOOR.
- 3 POWER AND CONTROL IN FLEXIBLE WATERPROOF CONDUIT (LFMC CONDUIT) TO ENTER FROM SIDE OF THE CURB AND UP TO FACTORY PROVIDED DISCONNECT SWITCH. COORDINATE WITH MECHANICAL CONTRACTOR.
- 4 CONNECT TO APPROPRIATE TERMINALS OF TBCCB CONTROL BOX. SEE E6.1 FOR DETAILS.
- 5 1/2" C, WITH REQ'D CONDUCTORS TO J-BOX IN CEILING ABOVE ICE MACHINE. MAKE CONNECTION TO ICE MACHINE AND CONDENSING UNIT.
- 6 REFER TO POWER PLAN FOR CONTINUATION TO COOLER / FREEZER.
- 7 CONNECT TO APPROPRIATE PHOTOCELL TERMINALS OF TBCCB CONTROL BOX. SEE E6.1 FOR DETAILS.
- 8 RTU'S SHALL BE PROVIDED WITH BUILT-IN DISCONNECT AND SINGLE POINT WIRING.
- 9 CONTRACTOR SHALL VERIFY CIRCUIT BREAKER TYPE, STARTER, DISCONNECT SWITCH, AND FUSE SIZE (IF REQUIRED) WITH SELECTED EQUIPMENT MANUFACTURER'S SHOP DRAWINGS PRIOR TO PLACING ORDER AND FURNISH AND INSTALL EVERYTHING AS REQUIRED.
- 10 RAIN SENSOR.
- 11 PIPE HOOD. SEE 9/A6.0
- 12 ELECTRICAL CONTRACTOR SHALL MAKE ALL ELEC. CONNECTIONS INCLUDING ALL NECESSARY INTERCONNECTIONS BETWEEN THE COMPRESSOR ON THE ROOF & THE EVAPORATOR IN THE ICE MACHINE AS REQ'D. REFER TO THE MFR'S SHOP DWGS FOR EXACT INSTALL. & INTERCONNECTION RQMTS. PRIOR TO ROUGH-IN INSTALL.
- 13 1/2" C, WITH REQ'D CONDUCTORS TO J-BOX IN CEILING ABOVE FROZEN BEVERAGE MACHINE. MAKE CONNECTION TO BEVERAGE MACHINE AND ASSOCIATED CONDENSING UNIT.

KEY NOTES - ELECTRICAL POWER ROOF PLAN NTS **B**

DATE	REMARKS
03.17.22	Issued for Bid

CONTRACT DATE: 10.06.21
 BUILDING TYPE: END. MED20
 PLAN VERSION: MARCH 2021
 BRAND DESIGNER: DICKSON
 SITE NUMBER: 0
 STORE NUMBER: 0
 PA/PM: SM
 DRAWN BY.: WCF
 JOB NO.: 2020188.06

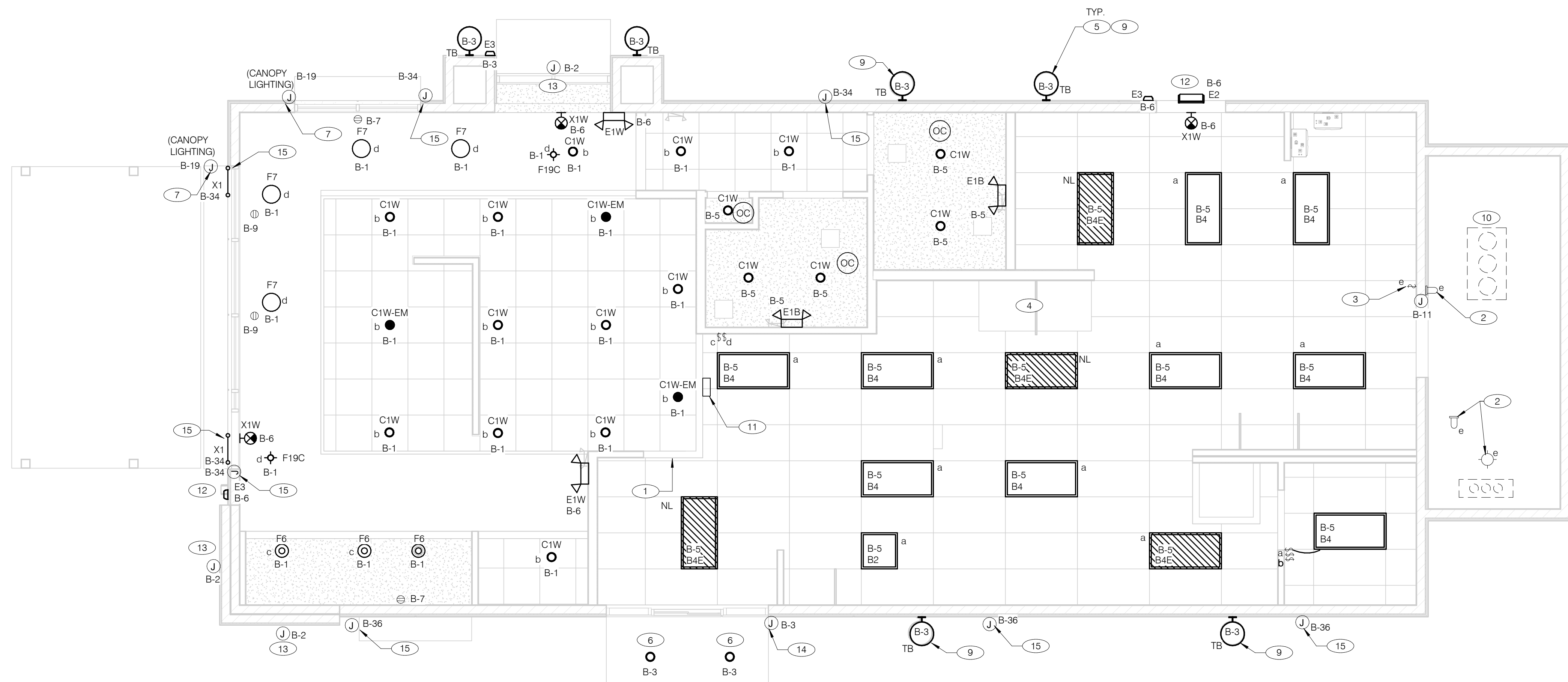
TACO BELL
 3039 Dixie Hwy.
 Edgewood, KY 41017



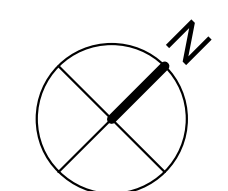
**ENDEAVOR 2.0
 ELECTRICAL
 POWER ROOF
 PLAN**

E3.2

C:\Users\haag\OneDrive - GPD Group\Documents\EPF_S\020_E\large\KV_Mitred_ahaag\020EPF.vxd



GENERAL NOTES:
 A. CONFIRM LIGHTING FIXTURE QUANTITIES WITH SUPPLIER.
 B. EMERGENCY AND NORMAL LIGHTING MARKED WITH "NL" SUBSCRIPT SHALL OPERATE CONTINUOUSLY. PROVIDE UNSWITCHED HOT TO NORMAL AND EMERGENCY BALLAST. EMERGENCY LIGHTING NOT MARKED WITH "NL" SUBSCRIPT SHALL OPERATE UNDER CONTROL OF LIGHTING SWITCH AS INDICATED. PROVIDE UNSWITCHED CONSTANT HOT TO EMERGENCY BALLAST AND SWITCHED HOT TO NORMAL BALLAST.
 C. ALL CONDUITS ENTERING OR LEAVING COOLER/FREEZER SHALL BE PROVIDED WITH SEAL-OFF FITTING WITH COMPOUND PER NEC 300-77a).
 D. ALL INTERIOR LIGHTING CIRCUITS TO BE WIRED THROUGH TBCCB. SEE E6.0 AND E6.1.
 E. CONTRACTOR TO FIELD VERIFY CEILING TYPE AND PROVIDE PROPER MOUNTING HARDWARE.
 F. ALL FIXTURES SUPPLIED WITH LAMPS.
 G. ALL EXTERIOR NON-EMERGENCY LIGHT FIXTURES, BUILDING SIGNS, AND EXTERIOR SIGNS SHALL BE CONTROLLED THROUGH PHOTOCELL AND LIGHTING CONTROL RELAYS. SEE E6.0 AND E6.1 FOR ADDITIONAL DETAILS.



DATE	REMARKS
03.17.22	Issued for Bid

CONTRACT DATE: 10.06.21
 BUILDING TYPE: END. MED20
 PLAN VERSION: MARCH 2021
 BRAND DESIGNER: DICKSON
 SITE NUMBER: 0
 STORE NUMBER: 0
 PA/PM: SM
 DRAWN BY.: AJR
 JOB NO.: 2020188.06

ELECTRICAL LIGHTING PLAN 1/4" = 1'-0" **A**

NO.	MANUFACTURER	CATALOG NUMBER	DESCRIPTION	MOUNTING	LAMP #/TYPE	BALLAST TYPE	ELECTRICAL DATA	REMARKS
A	LSI INDUSTRIES	MRM-LED-12L-SIL-FT-40-70CRI-HL	LED POLE LIGHT	POLE	LED		120 V/1-187 VA	-
B2	ABB	FLP22-D53W40	2X2 LED TROFFER		LED		120 V/1-45 VA	-
B4	ABB	FLP24-D53W40	2X4 LED TROFFER		LED		120 V/1-45 VA	-
B4E	ABB	FLP24-D53W40-EM	2X4 LED TROFFER		LED		120 V/1-45 VA	PROVIDE 90 MIN. BACK UP BATTERY
C1W	MAXLITE	B6IC-AT-W-LED14DR5630KB95	LED TRIM 14W 6" RECESSED 30K 80CRI WHITE TRIM, W/ ELITE B6IC-AT-W 6" IC AIR SHUT HOUSING		LED		120 V/1-14 VA	-
C1W-EM	MAXLITE	B6IC-AT-W-LED14DR5630KB95	LED TRIM 14W 6" RECESSED 30K 80CRI WHITE TRIM, W/ ELITE B6IC-AT-W 6" IC AIR SHUT HOUSING		LED		120 V/1-14 VA	PROVIDE 90 MIN. BACK UP BATTERY
E1B	ELITE	ELM-809-B	EMERGENCY LIGHT FROG EYE - BLACK	WALL, TOP @ 9'-4" U.O.N.	-	EM	120 V/1-12 VA	-
E1W	ELITE	ELM-809-W	EMERGENCY LIGHT FROG EYE - WHITE	WALL, TOP @ 9'-4" U.O.N.	-	EM	120 V/1-12 VA	-
E2	ELITE	ELM-807-SDT-BZ	CAMRAY LED EM WALL MNT, DRK BRNZ, CLD WEATHER	UNIVERSAL	-	EM	120 V/1-16 VA	-
E3	LITHONIA	AFF-PEL-DDBTXD-UVOLT-LTP-SDR T-WT-CW	SELF-POWERED EMERGENCY WALLPACK W/ PHOTOCELL		LED		120 V/1-20 VA	-
F6	KICHLER	43852OZ	9.75" GLASS PENDANT AVERY WITH MED BASE SOCKET RATED 100W MAX OLDE BRONZE FINISH	PENDANT, 6'-0" A.F.F.	1/LED AAMSCO LED-6W-ST64HYBRID-DIM	NA	120 V/1-100 VA	PLACEHOLDER INCLUDES LAMP
F7	HI-LITES	H24212-96-CB15-20WLBL-60P	12" GALVANIZED PENDANT WITH BLACK CORD AND CANOPY MED BASE SOCKET	PENDANT, 6'-0" A.F.F.	1/LED 10A19D0D27K	NA	120 V/1-20 VA	-
F19C	SPECTRUM LIGHTING	SPC0304INC-MWL(25W)PAR20-CM-180-MB	12" GALVANIZED PENDANT WITH BLACK CORD AND CANOPY MED BASE SOCKET	PENDANT, 6'-0" A.F.F.	1/LED LR2040/27K/975/BK	NA	120 V/1-9 VA	-
TB	ACCUSERV	05247-051/052	WALL SCONCE, CUSTOM DARK BRONZE FINISH		18W PAR38 LED		120 V/1-36 VA-0 V/1-0 VA	-
X1	AGILIGHT	LA-APEX-65K-G2			1/LED		120 V/1-92 VA	3.28W/FT
X1W	LIGHTALARMS	GRANNRB	LED UNIVERSAL MNTG THERMOPLASTIC EXIT, RED LETTERS, BLACK HSNB	UNIVERSAL	-/LED	EM	120 V/1-3 VA	-

- 1 PRE-FABRICATED & PRE-FINISHED SOFFIT. REFER TO A7.1 FOR SPECIFICS. (OPTIONAL).
- 2 FOR LIGHTING FIXTURES, CONDUIT, CONDUCTORS AND INSTALLATION RESPONSIBILITIES, REFER TO SCOPE OF WORK.
- 3 FIXTURE AND SWITCH FACTORY INSTALLED WITH UNIT. G.C. TO COMPLETE CIRCUITING.
- 4 EXHAUST HOOD LIGHT FIXTURES SUPPLIED WITH HOOD AND MTD IN PRE-WIRED J-BOX. COMPLETE CIRCUITING PER SHEET E6.1.
- 5 COORD. J-BOX LOCATION WITH WOOD FRAMING SO IT REMAINS CONCEALED BEHIND FIXTURE. VERIFY MOUNTING HEIGHT WITH ARCH. DWGS.
- 6 PROVIDE POWER TO DRIVE THRU CANOPY LIGHTING FIXTURES. COORDINATE EXACT LOCATION AND REQUIREMENTS WITH CANOPY VENDOR AND CONSTRUCTION SUPERVISOR PRIOR TO CONNECTIONS.
- 7 PROVIDE POWER CONNECTION TO CANOPY AT FACTORY INSTALLED DISCONNECT SWITCH FOR CANOPY LIGHTS. LIGHTS ARE FURNISHED WITH CANOPY. PROVIDE ALL REQUIRED FIELD WIRING. COORDINATE REQUIREMENTS WITH MANUFACTURER.
- 8 PROVIDE POWER FOR FREE STANDING CANOPY LIGHTING. E.C. SHALL RUN FEEDERS THROUGH COLUMNS TO LIGHTING FIXTURES. COORDINATE EXACT LOCATION AND REQUIREMENTS WITH LIGHTING VENDOR AND CONSTRUCTION SUPERVISOR PRIOR TO ROUGH-IN.
- 9 REFER TO ARCHITECTURAL EXTERIOR ELEVATIONS ON A4.0 AND A4.1 FOR DIMENSIONED LOCATION OF FIXTURE.
- 10 SEAL ALL ELECTRICAL CONDUITS INTO THE WALK-IN COOLER.
- 11 ALERT LIGHT: ONLY APPLIES WHEN A GEN IV POWER SOAK IS USED. DISREGARD IF GEN III POWER SOAK IS USED. SEE SHEET E3.0 FOR POWER REQUIREMENTS.
- 12 MOUNT 'E3' AT 8'-6" A.F.G. TO CENTER OF FIXTURE.
- 13 VERIFY MOUNTING HEIGHT FOR SIGN POWER WITH ARCHITECTURAL ELEVATIONS AND SIGN VENDOR.
- 14 PROVIDE POWER CONNECTION TO CANOPY AT FACTORY INSTALLED DISCONNECT SWITCH FOR CANOPY LIGHTS. LIGHTS ARE FURNISHED WITH CANOPY. PROVIDE ALL REQUIRED FIELD WIRING. COORDINATE REQUIREMENTS WITH MANUFACTURER.
- 15 PROVIDE POWER CONNECTION TO PURPLE WALLWASH LIGHTS FURNISHED BY SIGN VENDOR. PROVIDE ALL REQUIRED FIELD WIRING. COORDINATE EXACT LOCATIONS WITH ARCHITECTURAL ELEVATIONS. COORDINATE REQUIREMENTS WITH VENDOR.

KEY NOTES - ELECTRICAL LIGHTING PLAN AND SCHEDULE NTS **B**

TACO BELL
3039 Dixie Hwy,
Edgewood, KY 41017

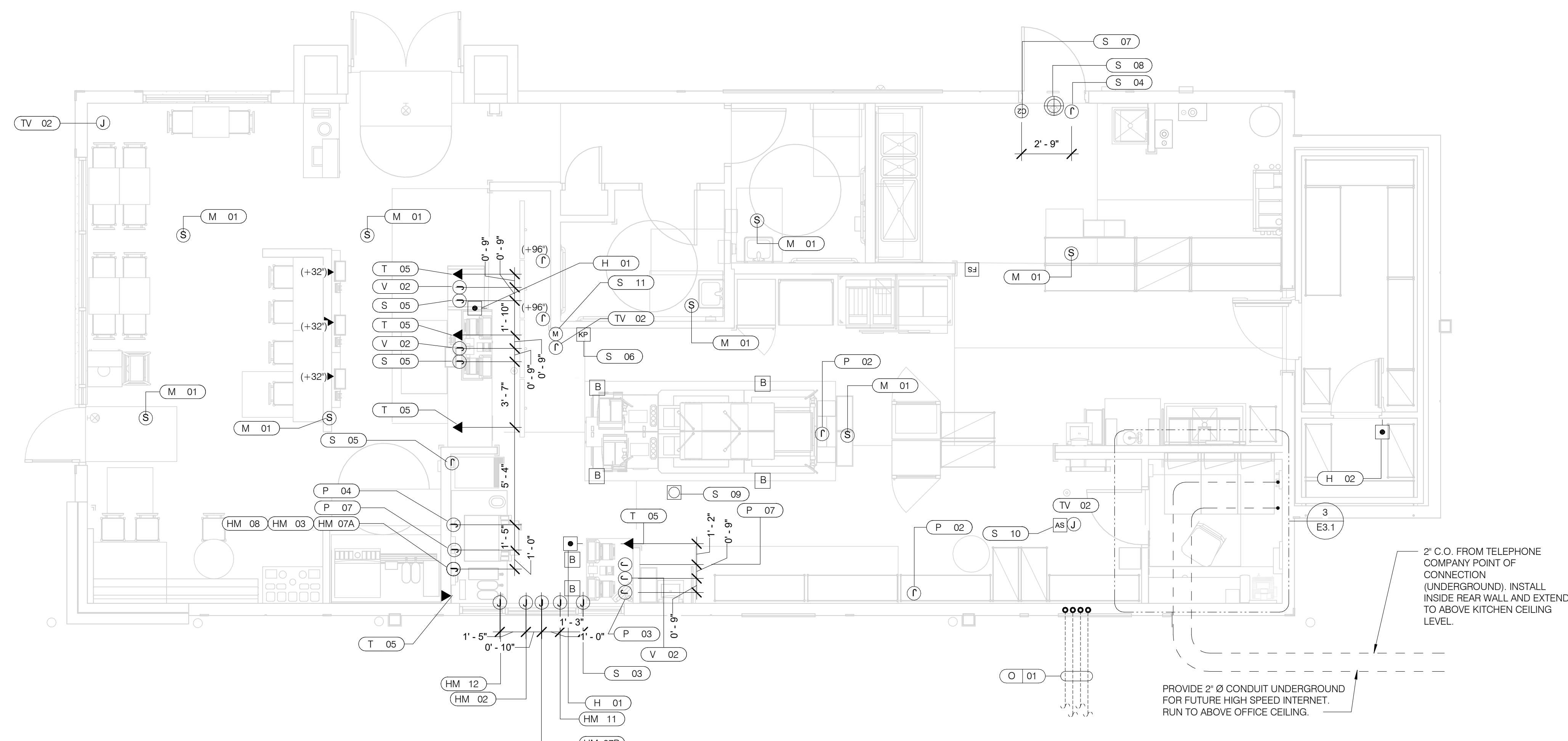


ENDEAVOR 2.0
LIGHTING PLAN
AND DETAILS

E4.0

PLOT DATE: 5/4/2022 3:33:44 PM

C:\Users\ahag\OneDrive - GPD Group\Documents\EPF_S\020_Elitage\KV\litrend_ahag020188.rvt



VOLUME CONTROL NOTES:
1) PATIO SPEAKER: DEDICATED WALL-MOUNT VOLUME CONTROL IN LOCATION OF HEAD-END (TYP. MANAGERS OFFICE).
2) DINING ROOM SPEAKERS: DEDICATED WALL-MOUNT VOLUME CONTROL IN LOCATION OF HEAD-END (TYP. MANAGERS OFFICE).
3) KITCHEN SPEAKERS: IF CONNECTED TO THE SOUND SYSTEM, CAN EITHER HAVE VOLUME CONTROL BUILT INTO THE SPEAKER ITSELF, OR HAVE A THIRD DEDICATED WALL-MOUNT VOLUME CONTROL IN LOCATION OF HEAD-END (TYP. MANAGERS OFFICE).
4) RESTROOM SPEAKERS: VOLUME CONTROL BUILT INTO SPEAKER.

2" C.O. FROM TELEPHONE COMPANY POINT OF CONNECTION (UNDERGROUND). INSTALL INSIDE REAR WALL AND EXTEND TO ABOVE KITCHEN CEILING LEVEL.
PROVIDE 2" Ø CONDUIT UNDERGROUND FOR FUTURE HIGH SPEED INTERNET. RUN TO ABOVE OFFICE CEILING.

DATE	REMARKS
1 03.17.22	Issued for Bid

CONTRACT DATE: 10.06.21
BUILDING TYPE: END, MED20
PLAN VERSION: MARCH 2021
BRAND DESIGNER: DICKSON
SITE NUMBER: 0
STORE NUMBER: 0
PA/PM: SM
DRAWN BY.: AJR
JOB NO.: 2020188.06

COMMUNICATIONS PLAN 1/4" = 1'-0" **A**

COMMUNICATIONS LEGEND NTS **C**

□ HOLD-UP BUTTON (MOUNT 2-1/2" BEHIND COUNTER EDGE)	⊕ DOOR CONTACT (LINKED TO AUDIO / VISUAL ALARM)
⊙ MUSIC SYSTEM SPEAKERS	⊕ "SOUND ALERT" DEVICE
⊙ SECURITY STROBE	KP KEYPAD (MTD AT 48" A.F.F.)
J J-BOX	AS ALARM SIREN ABOVE CLG
▲ 2" x 4" J-BOX W/ DATA PORTS	B BUMP PAD (MOUNT AT FRONT COUNTER)
M MOTION DETECTOR	FS HOOD FIRE SUPPRESSION SYSTEM PULL STATION
⊙ OCCUPANCY SENSOR, CEILING MOUNTED. SEE DETAILS 1 & 2 / E7.0	⊕ USB OUTLET

COMMUNICATIONS NOTES NTS **B**

A. SUPPLY AND INSTALL OUTLETS AND CONDUIT FOR OWNER SUPPLIED AND INSTALLED CABLE AND LOW VOLTAGE WIRING (U.O.N.). TELEPHONE AND MUSIC SYSTEM WIRING SHALL BE SUPPLIED AND INSTALLED. SEE SCOPE OF WORK SHEETS.

B. SEE SHEETS E3.0 AND E3.1 FOR ELECT. INFO ON POS, SECURITY SYSTEM, CCTV SYSTEM, (OFFICE) COMPUTER, DRIVE-THRU TIMER AND DRIVE-THRU COMMUNICATION SYSTEM.

C. THIS PLAN INCLUDES CONDUITS AND J-BOXES FOR POS, SECURITY SYSTEM, CCTV SYSTEM, (OFFICE) COMPUTER, TELEPHONE SYSTEM, MUSIC SYSTEM, DRIVE-THRU TIMER AND DRIVE-THRU COMMUNICATION SYSTEM.

D. ALL OUTLETS AND BOXES MOUNTED IN THE SERVING COUNTER CABINETS ARE TO BE 24" AFF. INSTALL JUNCTION BOXES WITH CONDUIT UNDER CABINET TO NEAREST WALL AND TO ABOVE CEILING.

COMMUNICATIONS ROUGH-IN SCHEDULE

COMM. TYPE	COMM. #	EQUIPMENT ITEM	ELEVATION	REMARKS
H	01	UNDER COUNTER HOLD-UP BUTTON		SEE DETAIL 6/E3.1.
H	02	WALL MOUNTED HOLD-UP BUTTON	+18" A.F.F.	SURFACE MTD. 2X4 J-BOX ON INSIDE OF WALK-IN FREEZER HINGE WALL W/ (1) 1/2" CONDUIT TO ABOVE KITCHEN CEILING. BUTTON FACING DOWN. SEE DETAIL 3/E3.1
HM	02	D/T TIMER SIGNAL PROCESSOR J-BOX	+126" A.F.F.	4X4X4" DEEP (MIN.) J-BOX ABV. CLG. W/ (1) 1" CONDUIT TO HM-07B, (1) 1" CONDUIT TO HM-04, (1) 1-1/2" CONDUIT TO HM-08 & (1) 1" CONDUIT TO HM-12. SEE DET. 5/E3.1.
HM	03	D/T BASE STATION J-BOX	+72" A.F.F.	4X4 J-BOX @ D/T BASE STATION W/ (1) 1-1/2" C TO HM-08 & (1) 1-1/2" C TO HM-07A. SEE DETAIL 7/E3.1.
HM	07A	D/T TIMER DISPLAY J-BOX	+62" A.F.F.	2X4 J-BOX W/ (1) 1-1/2" CONDUIT TO HM-03 & (1) 1" C TO HM-04. SEE DETAIL 7/E3.1.
HM	07B	D/T TIMER DISPLAY J-BOX	+126" A.F.F.	2X4 J-BOX ABV. CEILING W/ (1) 1" CONDUIT TO HM-02. SEE DETAIL 7/E3.1.
HM	08	D/T J-BOX	+96" A.F.F.	4X4X4" DEEP (MIN.) J-BOX W/ (1) 1-1/2" CONDUIT TO HM-03 & (1) 1-1/2" CONDUIT TO HM-02. SEE DETAIL 7/E3.1.
HM	11	D/T CONTROL UNIT J-BOX	+126" A.F.F.	2X4 J-BOX ABV. CEILING W/ (1) 1" CONDUIT TO HM-12. SEE DETAIL 7/E3.1.
HM	12	D/T/ ETHERNET SWITCH J-BOX	+126" A.F.F.	2X4 J-BOX ABV. CEILING W/ (1) 1" CONDUIT TO HM-11, (1) 1" CONDUIT TO HM-02 & (1) 1" CONDUIT TO OFFICE ROUTER.
M	01	SPEAKER, CEILING MOUNTED	CEILING	SPEAKER WIRING FROM SPEAKERS IN DINING ROOM TO AMPLIFIER IN OFFICE. FOR EXACT LOCATION OF SPEAKERS, SEE LIGHTING PLAN SHEET E4.0.
P	02	2X4 J-BOX FLUSH @ CEILING.	CEILING	FOR M.A.P.S. LINE MONITOR J-BOX.
P	03	KITCHEN MONITOR J-BOX	+84" A.F.F.	2X4 J-BOX W/ (1) 3/4" CONDUIT TO ABOVE CEILING
P	04	BUMP PAD J-BOX	+24" A.F.F.	2X4 J-BOX W/ (1) 3/4" CONDUIT TO P-03.
P	07	POS J-BOX W/ 2-1/2" DIA HOLE IN COVER PLATE	+24" A.F.F.	6X6X4" DEEP J-BOX W/ 2-1/2" CONDUIT IN WALL TO ABV. CEILING, WITH PULL STRING FOR POS.
S	03	J-BOX SECURITY SYSTEM	+30" A.F.F.	2X4 J-BOX W/ (1) 1/2" CONDUIT TO ABV. CLG. FOR HOLD-UP BUTTON SIGNAL WIRE.
S	04	J-BOX SECURITY SYSTEM	+84" A.F.F.	2X4 J-BOX W/ COVER & (1) 1/2" CONDUIT TO ABOVE CEILING.
S	05	J-BOX SECURITY SYSTEM	+24" A.F.F.	2X4 J-BOX W/ 3/4" CONDUIT TO S-05 AND TO ABOVE CEILING.
S	06	J-BOX SECURITY SYSTEM	+48" A.F.F.	2X4 J-BOX W/ (1) 1/2" CONDUIT TO ABOVE CEILING FOR SECURITY SYSTEM KEYPAD.
S	07	J-BOX SECURITY SYSTEM	TOP OF JAMB	2X4 J-BOX W/ (1) 1/2" CONDUIT TO ABOVE CEILING FOR DOOR CONTACT.
S	08	"SOUND ALERT" DEVICE	CEILING	CONNECT TO SECURITY SYSTEM.
S	09	SECURITY STROBE LIGHT	CEILING	CONNECT TO SECURITY SYSTEM.
S	10	ALARM SIREN	ABV. CEILING	CONNECT TO SECURITY SYSTEM.
S	11	MOTION / HEAT DETECTOR	+78" A.F.F.	STUB 1/2" CONDUIT. D5835 OR D5820. MOUNT 90" A.F.F. FOR OFFICE

COMMUNICATIONS ROUGH-IN SCHEDULE

COMM. TYPE	COMM. #	EQUIPMENT ITEM	ELEVATION	REMARKS
T	03	VOICE LINE PHONE JACK	+42" A.F.F.	2X4 J-BOX W/ DOUBLE RJ-11 PHONE JACK & 1" CONDUIT TO ABOVE CEILING.
T	04	COMPUTER LINE PHONE JACK	+42" A.F.F.	2X4 J-BOX W/ RJ-11 PHONE JACK AND 1" CONDUIT TO ABOVE CEILING.
T	05	P.O.S. PHONE JACK	+24" A.F.F.	2X4 J-BOX W/ 1" CONDUIT TO ABOVE CEILING.
TV	02	SECURITY CAMERA	+96" A.F.F.	MINI-DOME CAMERA MTD. TO BTM. OF MENU BOARD BULKHEAD. 2X4 J-BOX W/ (1) 1/2" CONDUIT TO ABOVE CEILING MTD. ON BACK SIDE OF BULKHEAD (6 TOTAL).
V	02	CREDIT CARD READER (VSAT)	+24" A.F.F.	2X4 J-BOX W/ 1/2" CONDUIT TO ABOVE CEILING FOR ETHERNET CABLES.
S	01	J-BOX SECURITY SYSTEMS	+48" A.F.F.	4X4 J-BOX AT SECURITY SYSTEM CONTROL PANEL W/ (1) 2" CONDUIT TO S-02
S	02	J-BOX SECURITY SYSTEMS	+106" A.F.F.	4X4 J-BOX ADJACENT TO T-02 W/ (1) 2" CONDUIT TO S-01
S	12	J-BOX SECURITY DVR	+42" A.F.F.	2X4 J-BOX FOR SECURITY DVR
T	02	SECURITY SYSTEM PHONE JACK	+106" A.F.F.	2X4 J-BOX ADJACENT TO S-02 W/ RJ-31X PHONE JACK
V	01	ALTERNATE PAYMENT ROUTER BOX	+90" A.F.F.	4X4 J-BOX W/ 1/2" CONDUIT TO ABOVE CEILING FOR ETHERNET CABLES (DOUBLE JACK)
HM	10	OCB SWITCH	+52" A.F.F.	2X4 J-BOX W/ 1" CONDUIT TO ABOVE CEILING
IR	01	IRRIGATION TIMER	+80" A.F.F.	4X4 J-BOX W/ 1" CONDUIT TO IRRIGATION VALVES
O	01	(4) 1" DATA CONDUITS	CEILING	FROM MENU BOARD/SPEAKER POST TO ABOVE CEILING FOR OCB AND D/T COMM. SYST. SEE DETAIL 3/7.0
HM	04	OCB SWITCH	+80" A.F.F.	4X4 J-BOX W/ 1" CONDUIT TO IRRIGATION VALVES
T	01	TELEPHONE SERVICE BOX PER LOCAL TELEPHONE COMPANY. PROVIDE 24"X24"X3/4" PLYWOOD PANEL AT CLG. PROVIDE PULL STRING IN 2" CONDUIT.	+24" A.F.F.	PROVIDE (1) 25 PAIR TELEPHONE CABLE. ONLY (2) LINES TO BE USED. LINE ONE FOR VOICE/FAX. LINE (2) FOR COMPUTER MODEM.
TV	01	CLOSED CIRCUIT TELEVISION (CCTV)		CCTV INSTALLATION IS BASED ON THE CRIME INDEX AS DETERMINED BY YUM! LOSS PREVENTION MANAGER. THE STANDARD CCTV PACKAGE WILL CONSIST OF (1) CCTV MONITOR W/ WALL BRACKET AND (1) MINI DOME CAMERA MTD. ON BACK SIDE OF BULKHEAD (7 TOTAL)

TACO BELL
3039 Dixie Hwy,
Edgewood, KY 41017

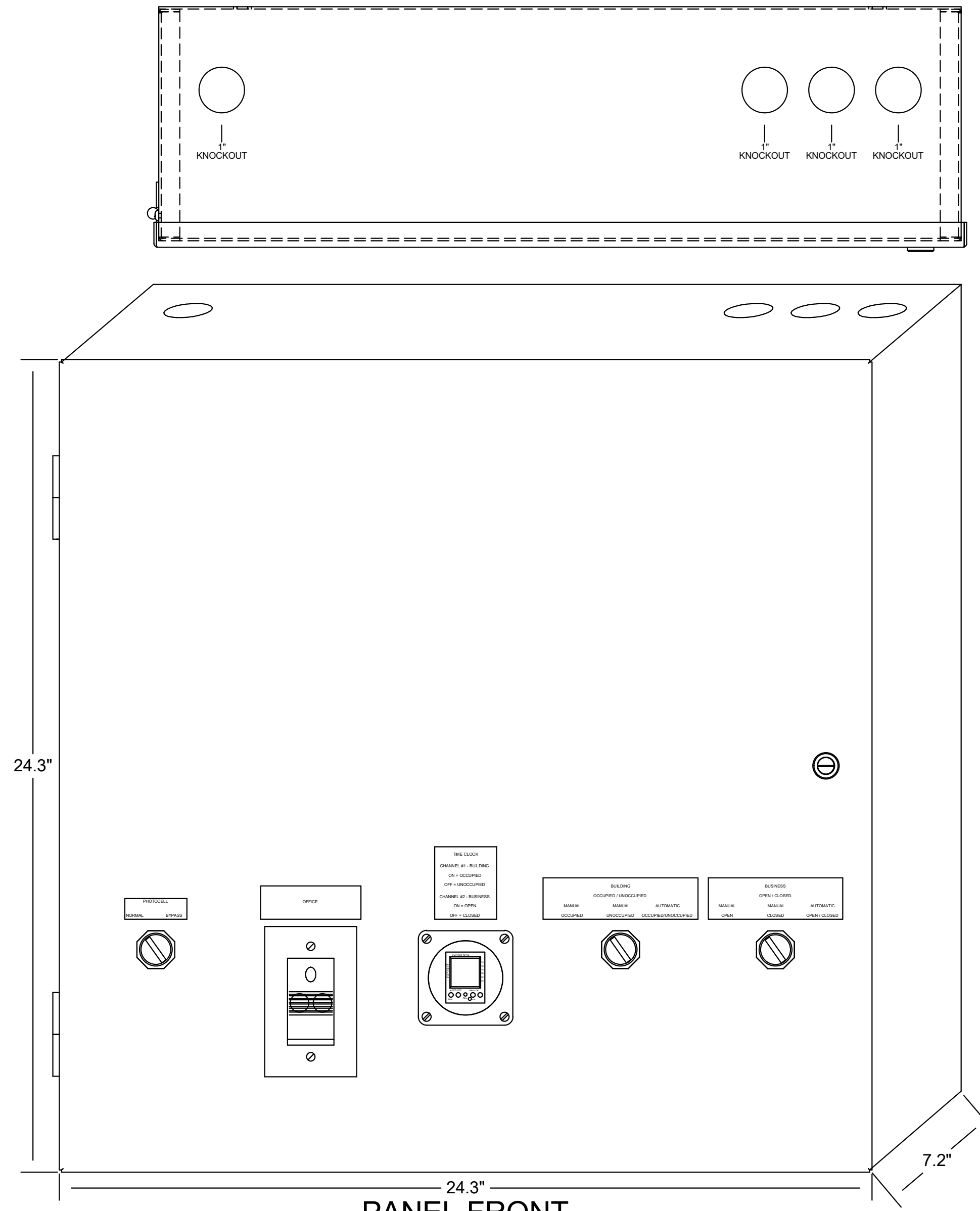


ENDEAVOR 2.0 COMMUNICATIONS PLAN

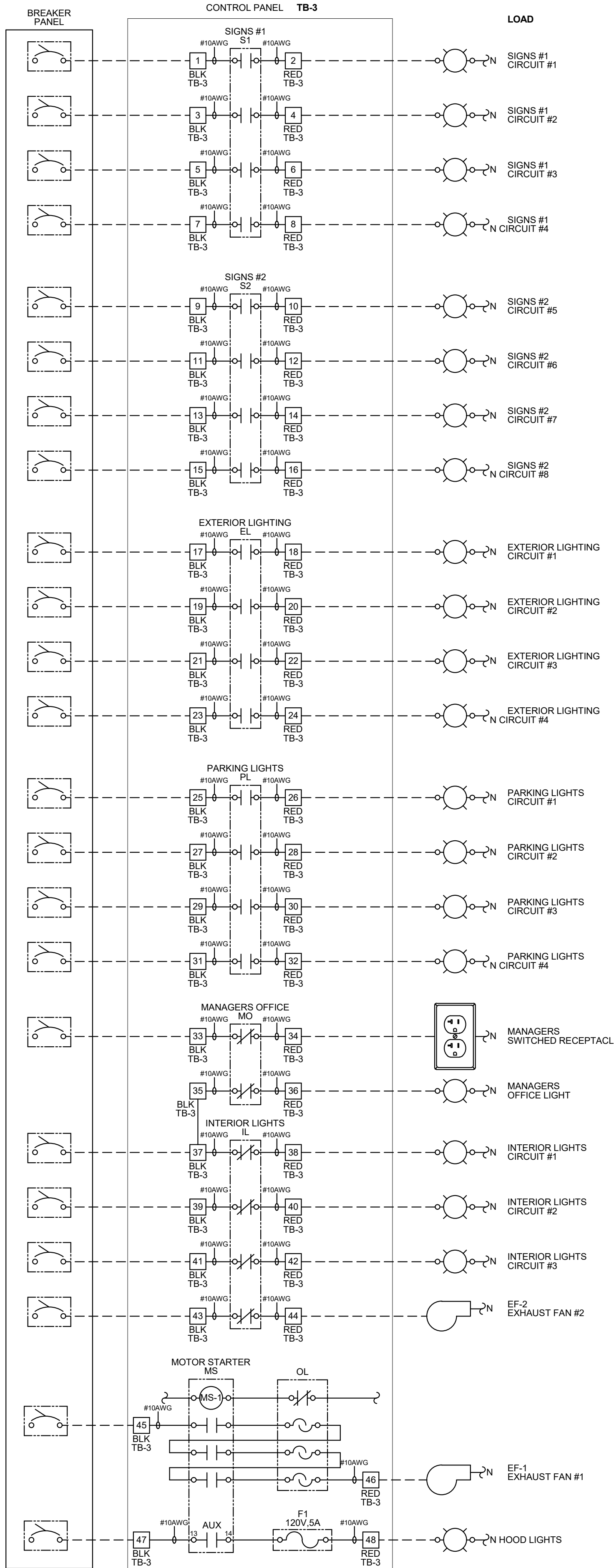
E5.0
PLOT DATE: 5/4/2022 3:33:45 PM



TBCCB-3-WOS



PANEL CIRCUI NUMBER
REFER TO PANEL SCHEDULES FOR CIRCUIT INFORMATION (TYPICAL)



- NOTES:**
1. VISUAL VERIFICATION OF THIS INSTALLATION IS REQUIRED. SEE SHEET M5.0
 2. PANEL IS SURFACE MOUNT
 3. PROTECT INTERIOR FROM METAL SHAVINGS & DEBRIS

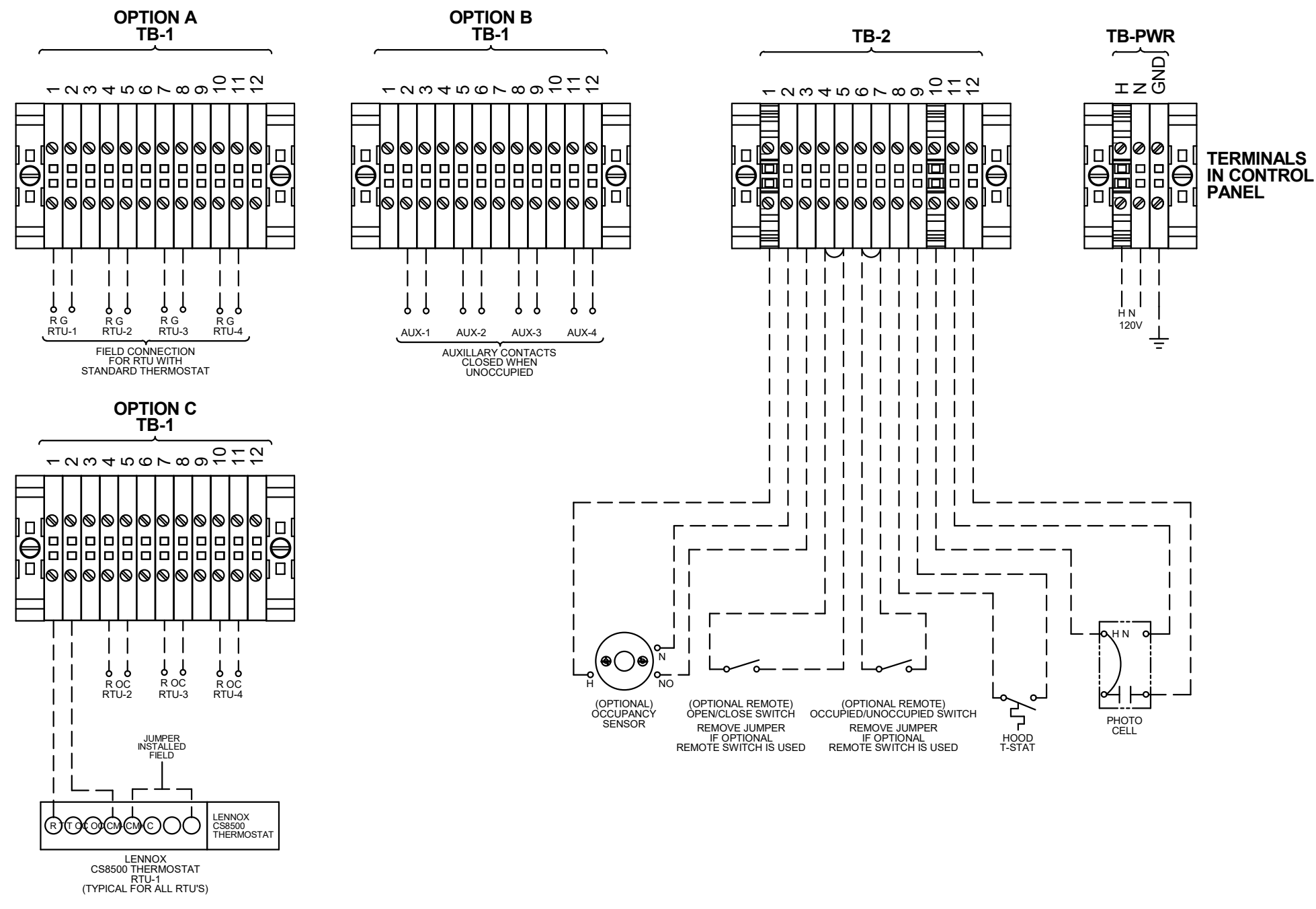
CONTROL BOX

TACO BELL'S SUPPLIER OF THE CONTROL BOX IS AIR CARE EXPERTS. UNLESS NOTED OTHERWISE, TBCCB-3-WOS CONTROL BOX TO BE PURCHASED AND INSTALLED BY THE ELECTRICAL CONTRACTOR.

NOTE: TBCCB-3 WOS MAY BE INCLUDED IN THE LIGHTING PACKAGE. ELECTRICAL CONTRACTOR IS RESPONSIBLE TO VERIFY.

TBCCB-3-WOS INCLUDES ALL WIRING AND COMPONENTS SHOWN FACTORY INSTALLED WITHIN THE BOX.

PRIMARY CONTACT: CHUCK MCCABE
PHONE: 949 770 2222
EMAIL: INFO@ACE-EMS.COM



--- FIELD WIRE BY OTHERS
THIS PANEL ENCLOSURE IS RATED TYPE 1 TO PRESERVE RATING USE TYPE 1 CONDUIT ENTRY HUBS



This panel is Listed to applicable UL Standards and requirements by UL. Field wiring or field components are not Listed under this mark.

FOR REFERENCE ONLY

DATE	REMARKS
1 03.17.22	Issued for Bid

CONTRACT DATE: 10.06.21
BUILDING TYPE: END, MED20
PLAN VERSION: MARCH 2021
BRAND DESIGNER: DICKSON
SITE NUMBER: 0
STORE NUMBER: 0
PA/PM: SM
DRAWN BY: WCF
JOB NO.: 2020188.06

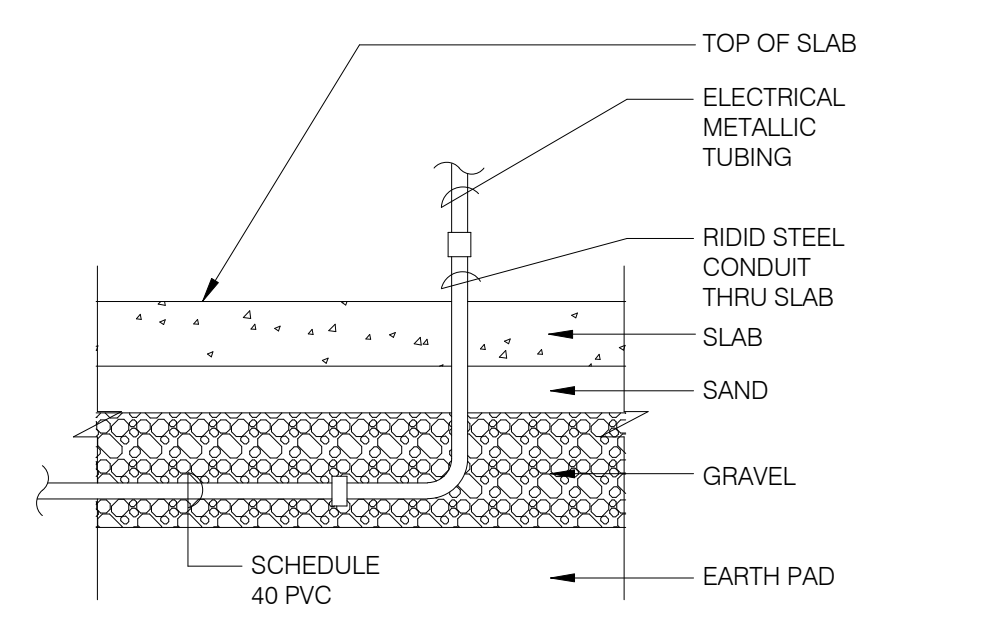
TACO BELL

3039 Dixie Hwy, Edgewood, KY 41017



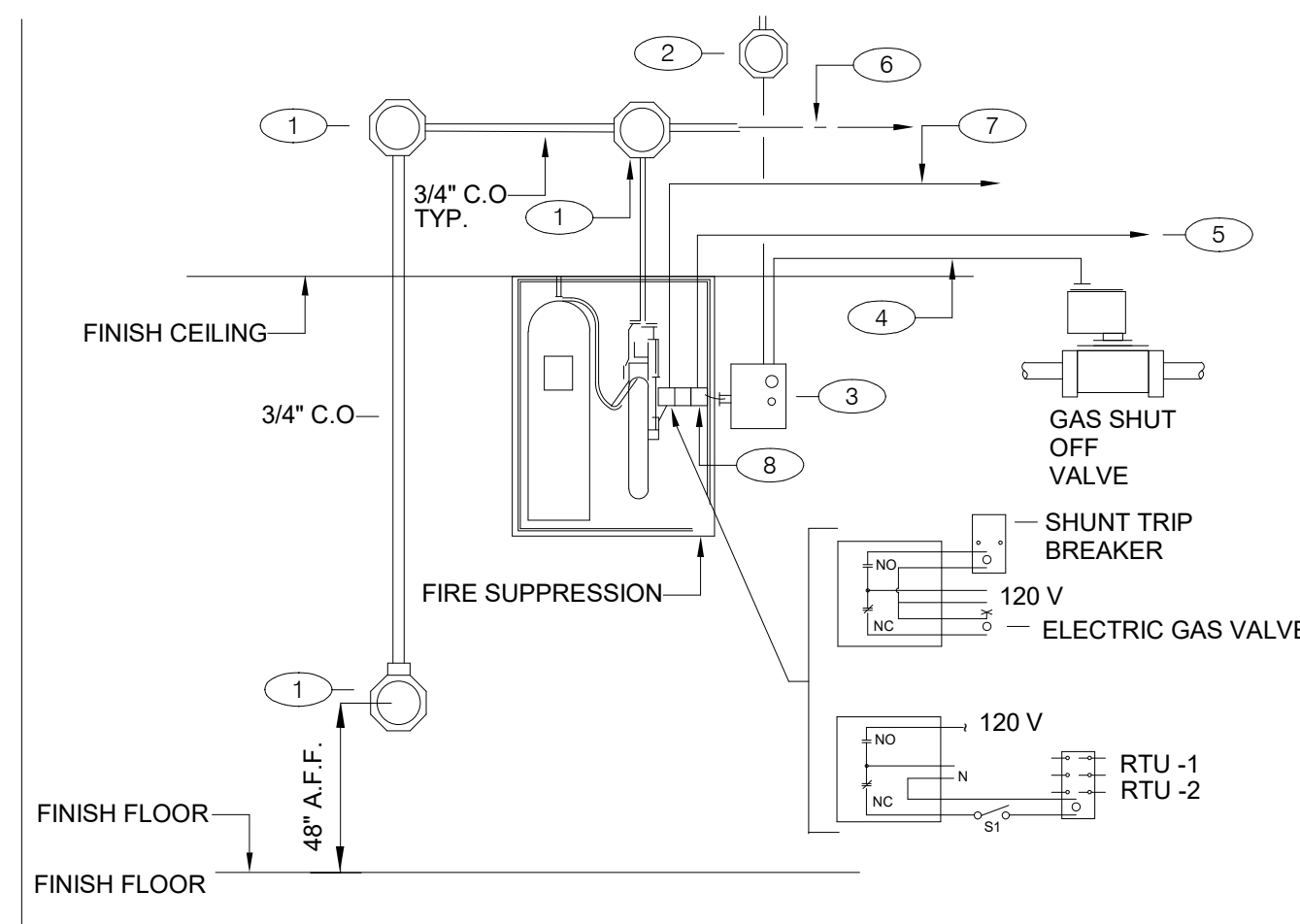
ENDEAVOR 2.0
ELECTRICAL DETAILS - TBCCB

E6.1



NOTE: GREEN GROUND WIRE REQUIRED IN ALL CONDUITS, SIZED PER N.E.C. REQUIREMENTS.

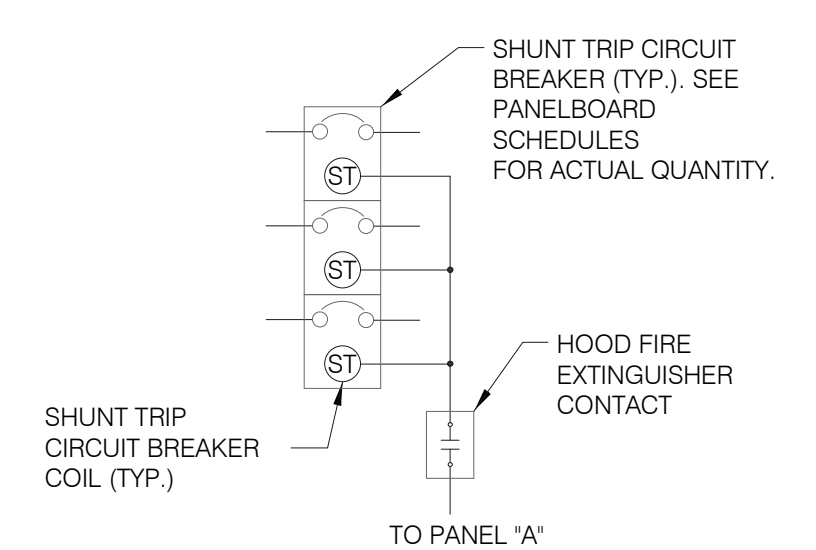
UNDER SLAB CONDUIT N.T.S. **7**



GENERAL NOTES:
1. REFER TO SHEET M3.0

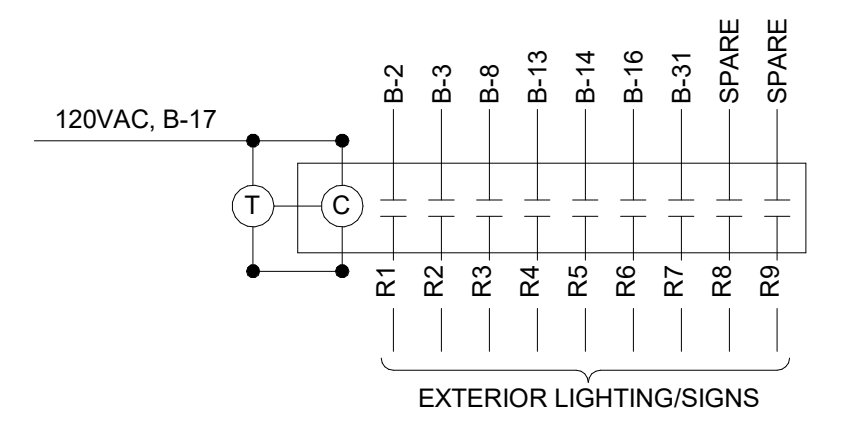
KEY NOTES:
① PROVIDE 4" OCTAGONAL J-BOX.
② PROVIDE J-BOX, AND 110 V CIRCUIT. REFER TO EQUIPMENT SCHEDULE/FLOOR PLAN FOR CIRCUIT ASSIGNMENT. CONNECT TO TBANS. SEE SHEET 7.1.
③ TBANS INSTALLED BY ELECTRICAL CONTRACTOR.
④ PROVIDE CONNECTIONS TO TBANS BOX FOR HOOD SHUTDOWN. SEE SHEET E7.1 FOR TBANS WIRING DIAGRAM.
⑤ PROVIDE 1/2" C WITH CONTROL CABLE. MAKE INTERCONNECTIONS TO EXHAUST & SUPPLY FAN INTERFACE THROUGH MICROSWITCH ON HOOD.
⑥ CABLE AND CONNECTION TO FUSIBLE LINKS AT EXHAUST HOOD BY K.E.C.
⑦ PROVIDE INTERCONNECTION BETWEEN FIRE SUPPRESSION MICROSWITCH AND TBANS. SEE SHEET E7.1.
⑧ FIRE SUPPRESSION SYSTEM TO INCLUDE TWO MICROSWITCHES. EACH MICROSWITCH SHALL HAVE A COMMON, NORMALLY OPEN AND NORMALLY CLOSED POLE.

FIRE SUPPRESSION SYSTEM WIRING DIAGRAM N.T.S. **4**



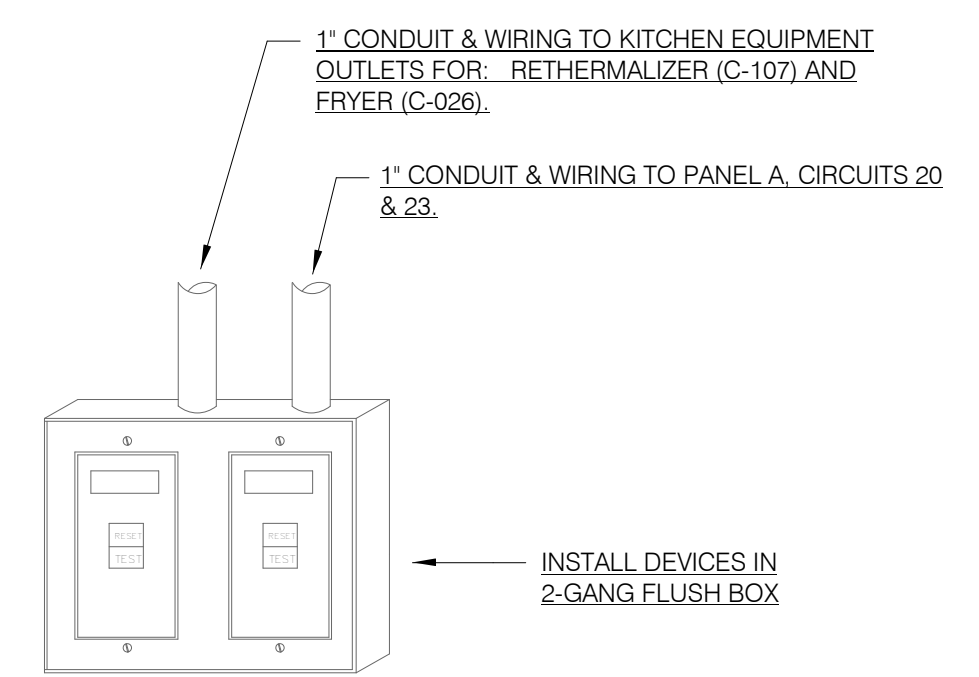
SEQUENCE OF OPERATION:
UPON ACTIVATION OF ANY HOOD FIRE SUPPRESSION SYSTEM RELAY, A RELAY IN THAT FIRE SUPPRESSION SYSTEM SHALL CAUSE ALL SHUNT TRIP CIRCUIT BREAKERS TO OPERATE, THUS REMOVING POWER FROM ALL DEVICES CONNECTED TO EQUIPMENT LOCATED UNDER THE GREASE HOOD. EXHAUST FANS SHALL NOT BE AFFECTED BY THIS ACTION AND SHALL CONTINUE TO BE CONTROLLED AS INDICATED IN THE SEQUENCE OF OPERATIONS INDICATED ON CONTROLS SHEETS E6.0 AND E6.1

SHUNT TRIP DETAIL N.T.S. **1**



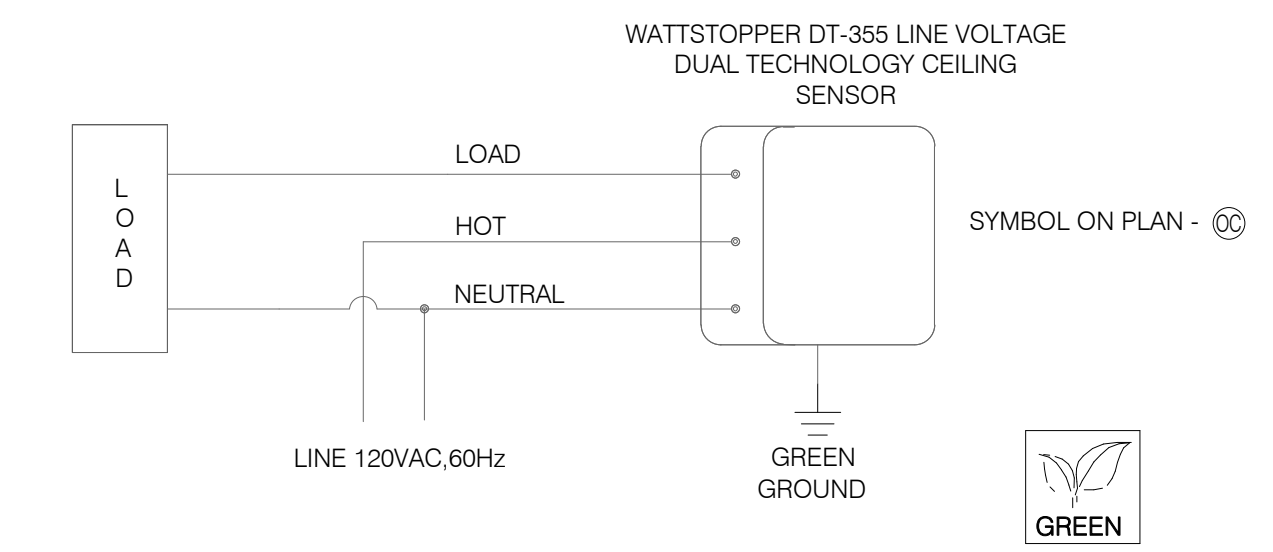
T1 - INTERMATIC #101R - 24 HOUR TIMECLOCK CONTROL: PROGRAM TO TURN ON AT 4:50 AM & OFF AT 1:00 AM (COORDINATE TIMES WITH TACO BELL) & WITH ASTRONOMIC CONTROL TO TURN SIGNAGE OFF DURING DAYLIGHT AND ON AT DUSK.

TIME CLOCK N.T.S. **8**

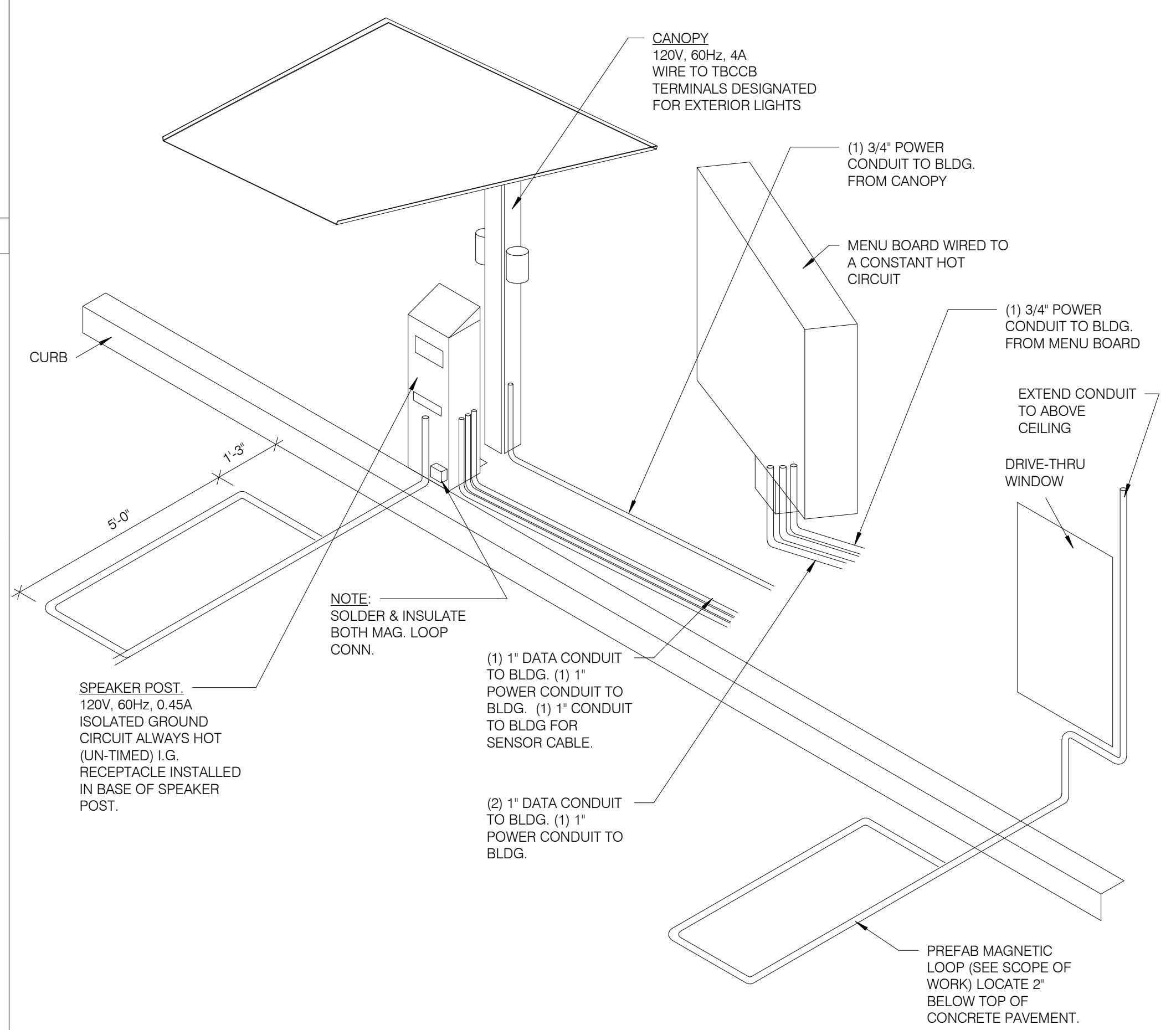


NOTES:
1. DEAD FRONT GFCI DEVICES ARE REQUIRED FOR KITCHEN EQUIPMENT REQUIRING BOTH A SHUNT TRIP BREAKER AND GFCI PROTECTION.
2. REFER TO SHEET E3.0 FOR LOCATION OF DEAD FRONT GFCI DEVICES.
3. PROVIDE LABEL ON DEVICES WITH CIRCUIT NUMBER AND LOAD DESIGNATION.

DEAD FRONT GFCI DEVICE DETAIL N.T.S. **5**



CEILING OCCUPANCY SENSOR WIRING DIAGRAM N.T.S. **2**



NOTE: SOLDER & INSULATE BOTH MAG. LOOP CONN.

SPEAKER POST. 120V, 60Hz, 0.45A ISOLATED GROUND CIRCUIT ALWAYS HOT (UN-TIMED) I.G. RECEPTACLE INSTALLED IN BASE OF SPEAKER POST.

(1) 1" DATA CONDUIT TO BLDG. (1) 1" POWER CONDUIT TO BLDG. (1) 1" CONDUIT TO BLDG FOR SENSOR CABLE.

(2) 1" DATA CONDUIT TO BLDG. (1) 1" POWER CONDUIT TO BLDG.

DRIVE-THRU COMMUNICATIONS ISOMETRIC N.T.S. **3**

DATE	REMARKS
03.17.22	Issued for Bid

CONTRACT DATE: 10.06.21
BUILDING TYPE: END, MED20
PLAN VERSION: MARCH 2021
BRAND DESIGNER: DICKSON
SITE NUMBER: 0
STORE NUMBER: 0
PA/PM: SM
DRAWN BY.: WCF
JOB NO.: 2020188.06

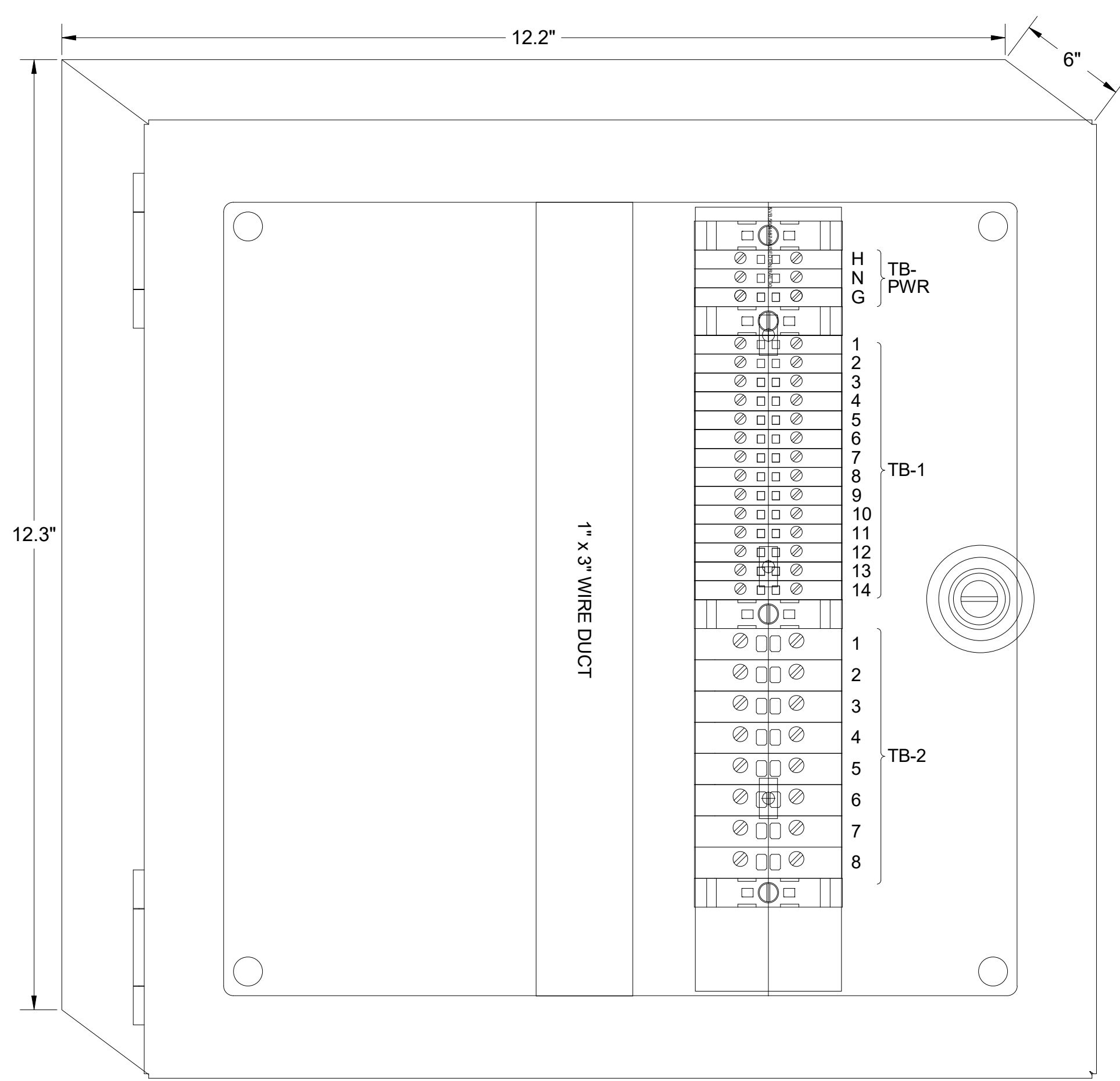
TACO BELL
3039 Dixie Hwy,
Edgewood, KY 41017



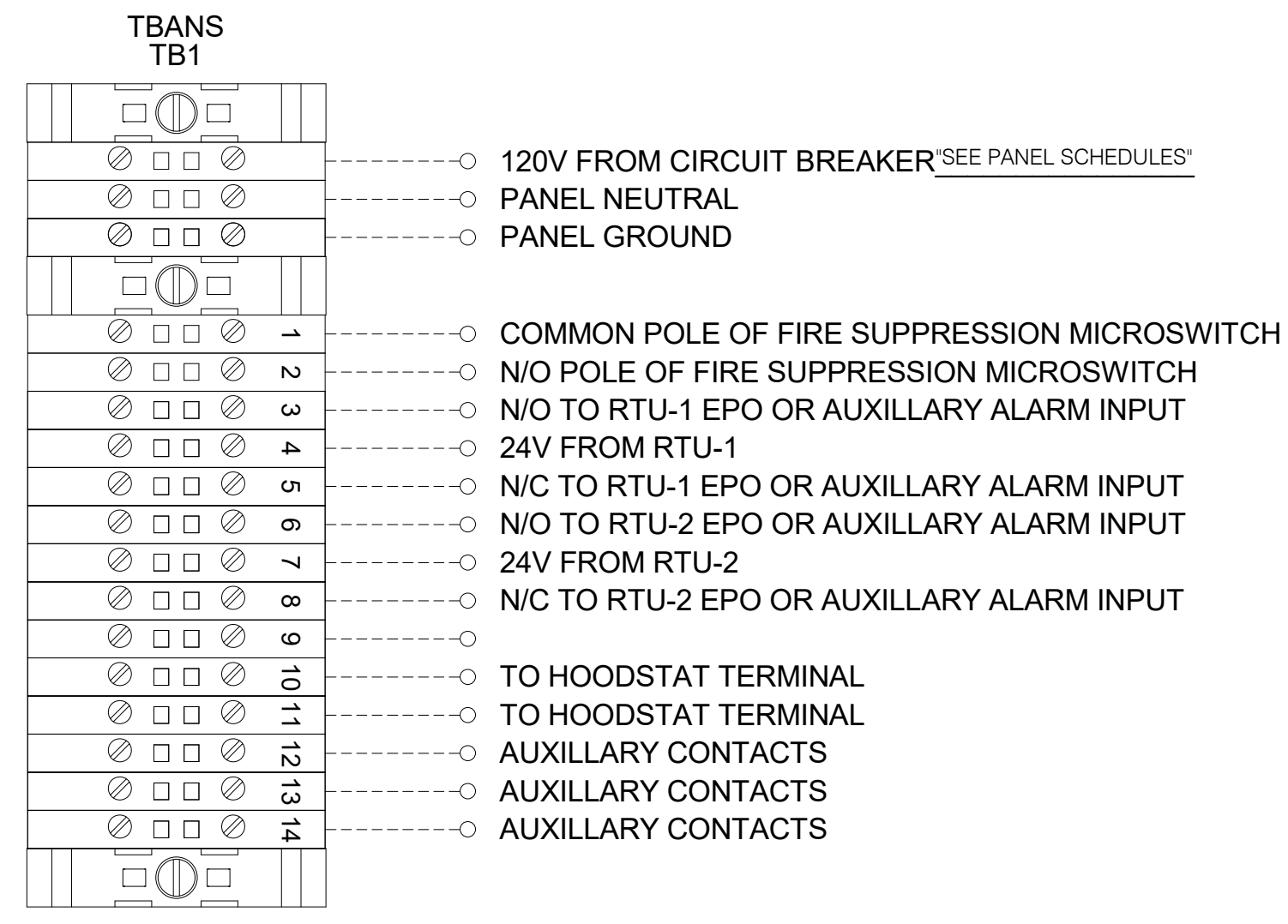
ENDEAVOR 2.0 ELECTRICAL DETAILS

E7.0

PLOT DATE: 5/4/2022 3:33:46 PM



1 TBANS PANEL DIMENSIONS NTS

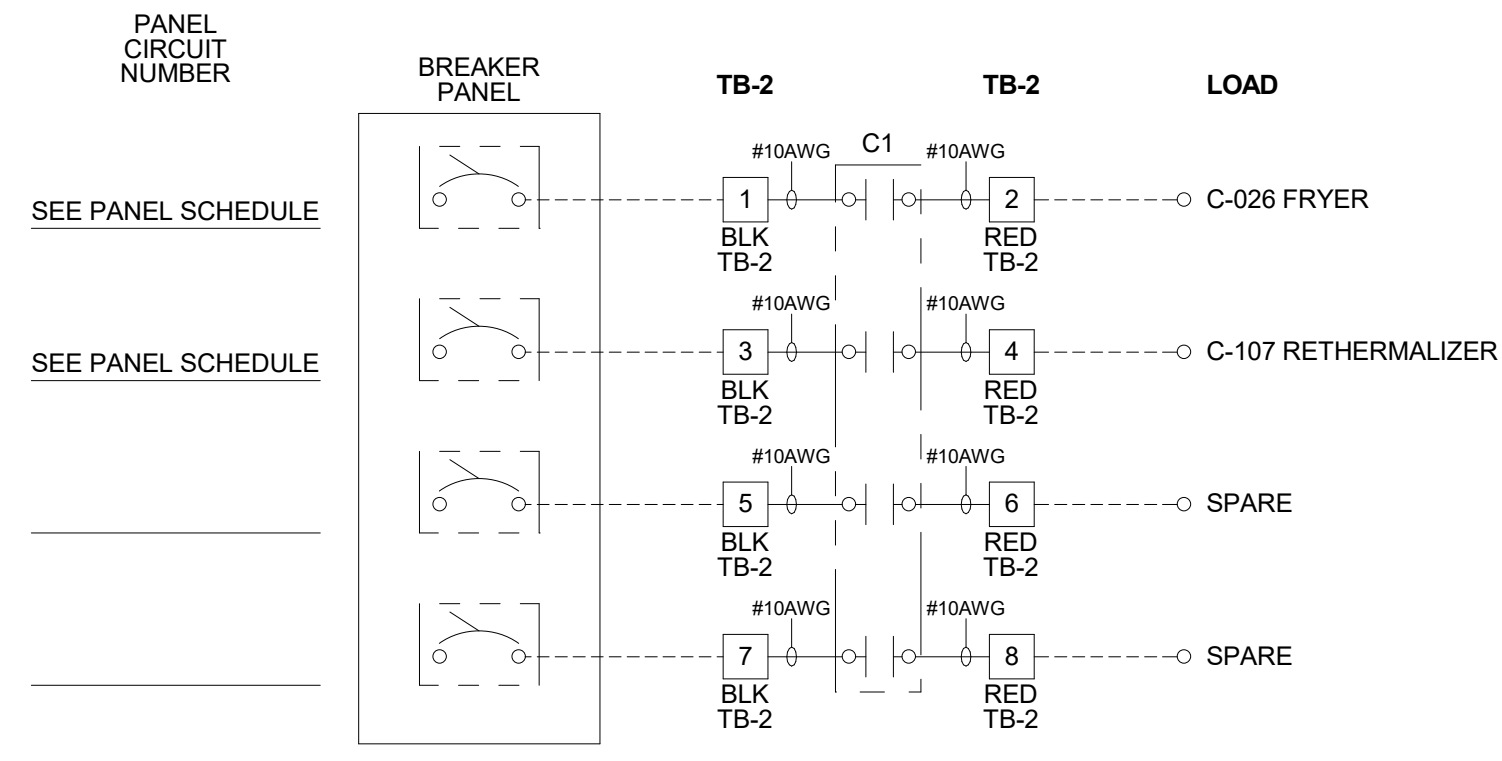


2 TBANS FIELD CONNECTIONS - VARIOUS NTS

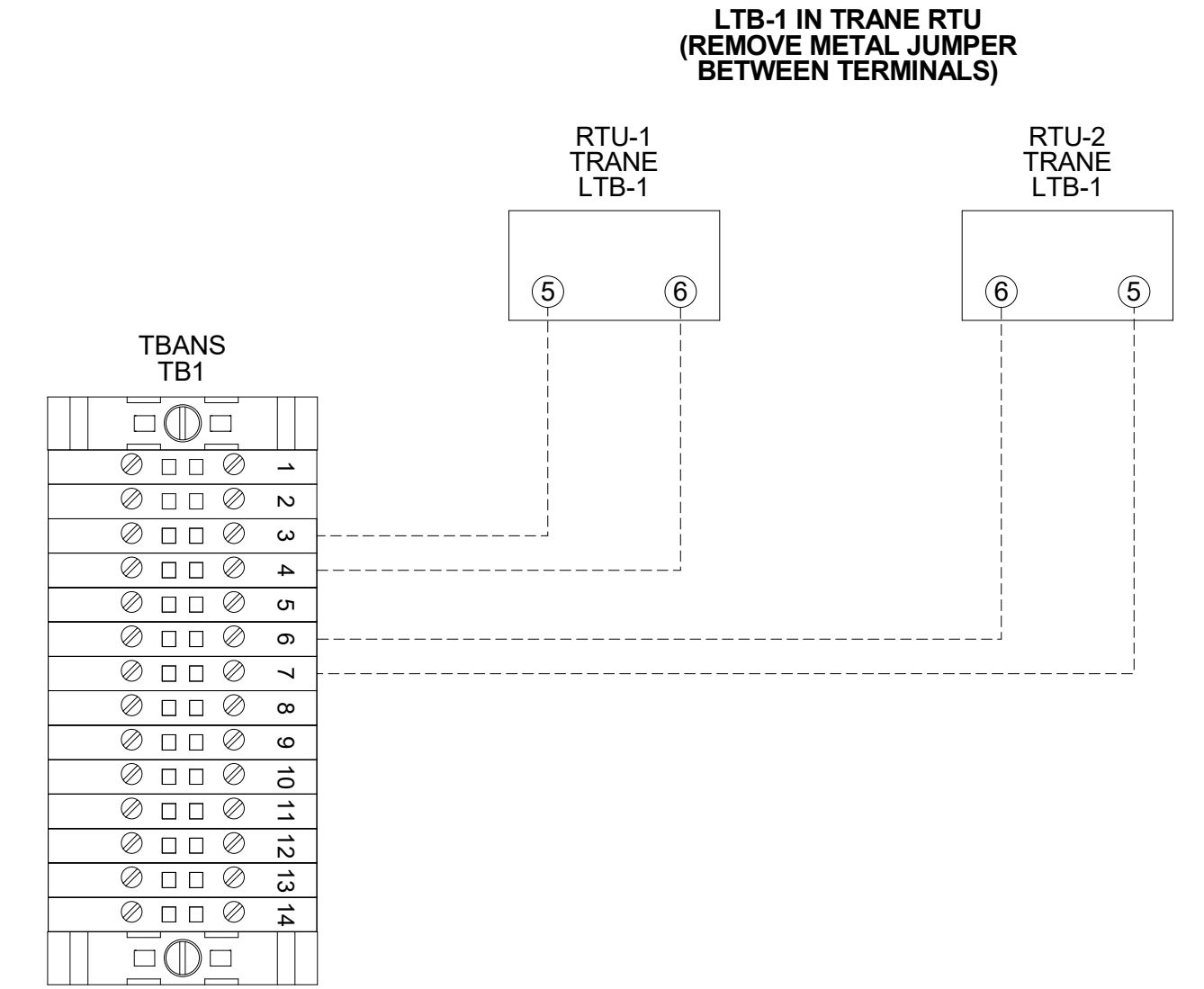
SEQUENCE OF OPERATION:
ACTIVATION OF HOOD FIRE SUPPRESSION SYSTEM RELAY SHALL CAUSE TBANS TO DE-ENERGIZE LOAD, THUS REMOVING POWER FROM ALL DEVICES CONNECTED TO EQUIPMENT LOCATED UNDER THE GREASE HOOD.

CONTROL BOX
TACO BELL'S SUPPLIER OF THE CONTROL BOX IS AIR CARE EXPERTS. UNLESS NOTED OTHERWISE, TBANS CONTROL BOX TO BE PURCHASED AND INSTALLED BY THE ELECTRICAL CONTRACTOR.
NOTE: TBANS MAY BE INCLUDED IN THE LIGHTING PACKAGE. ELECTRICAL CONTRACTOR IS RESPONSIBLE TO
VERIFY INCLUDES ALL WIRING AND COMPONENTS SHOWN FACTORY INSTALLED WITHIN THE BOX.
PRIMARY CONTACT: CHUCK MCCABE
PHONE: 949 770 2222
EMAIL: INFO@ACE-EMS.COM

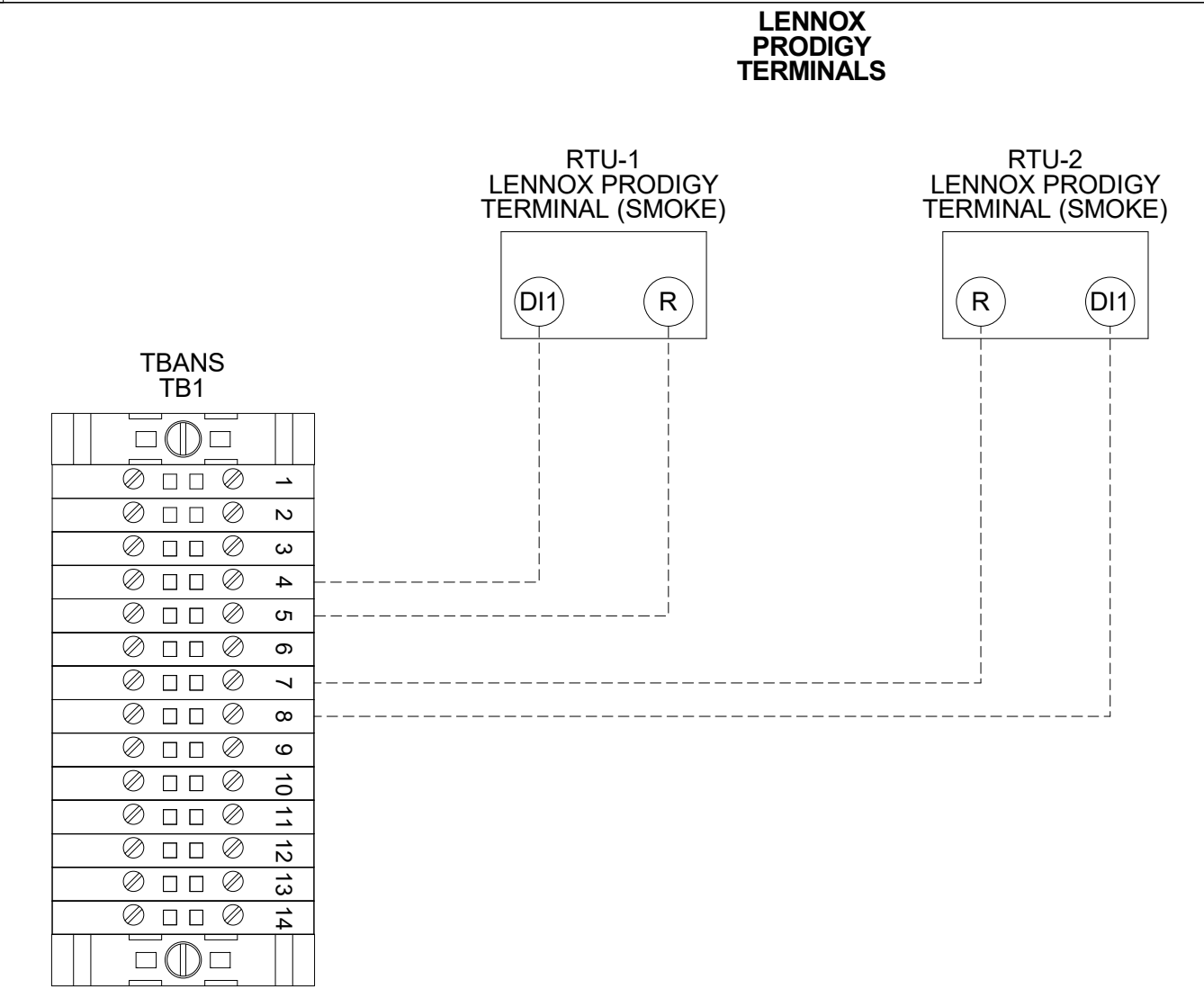
TACO BELL REQUIRES VISUAL CERTIFICATION OF THIS INSTALLATION SEE SHEET M5.0 CONTACT CERTIFY@ACE-BCX.COM OR (949)-770-2222



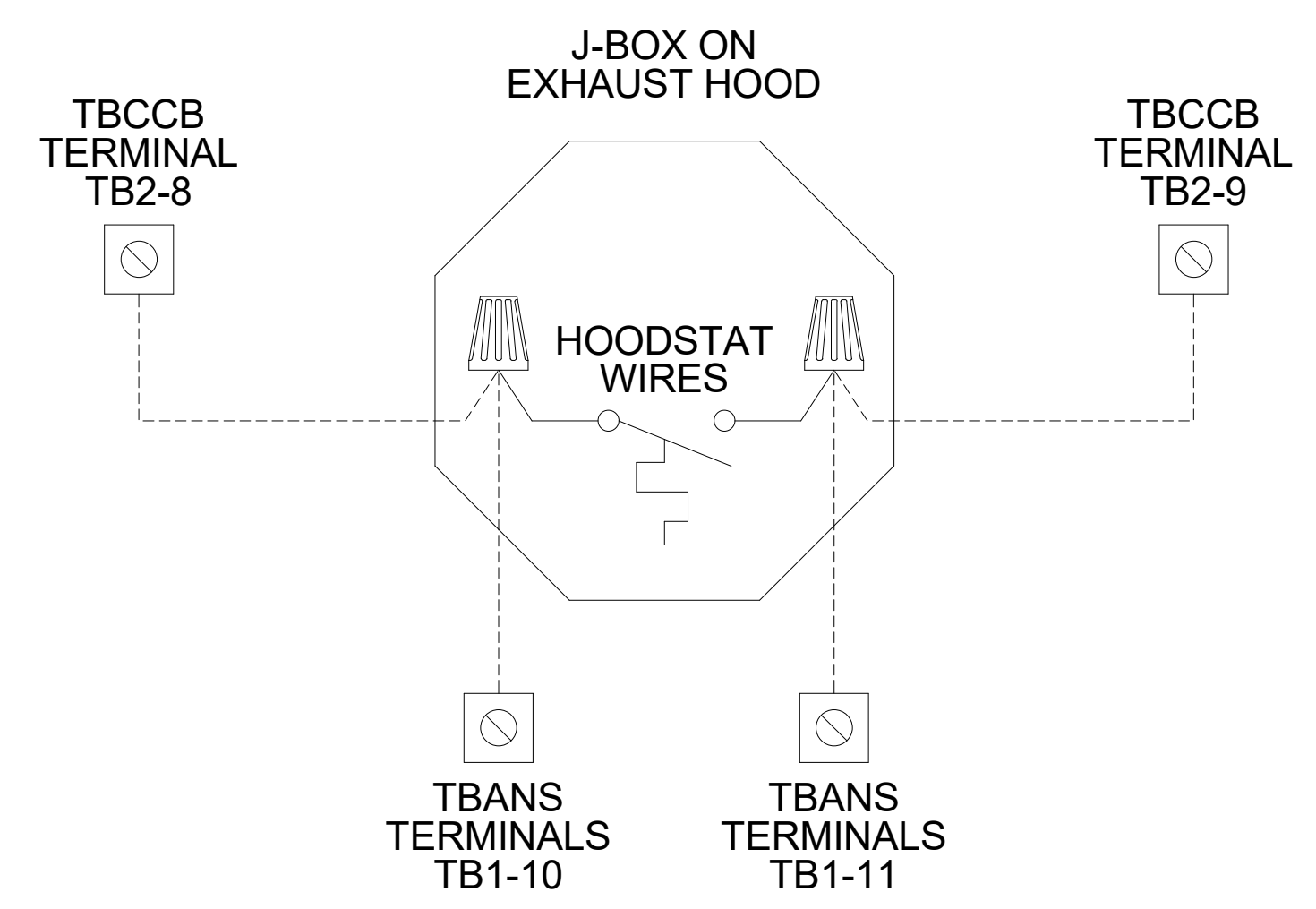
3 TBANS FIELD CONNECTIONS - APPLIANCES NTS



6 TBANS TO TRANE RTU SHUTDOWN NTS



5 TBANS TO LENNOX PRODIGY SHUTDOWN NTS



4 TBANS TO HOODSTAT TO TBCCB NTS

FOR REFERENCE ONLY

DATE	REMARKS
03.17.22	Issued for Bid

CONTRACT DATE: 10.06.21
BUILDING TYPE: END, MED20
PLAN VERSION: MARCH 2021
BRAND DESIGNER: DICKSON
SITE NUMBER: 0
STORE NUMBER: 0
PA/PM: SM
DRAWN BY.: WCF
JOB NO.: 2020188.06

TACO BELL
3039 Dixie Hwy,
Edgewood, KY 41017



ENDEAVOR 2.0
ELECTRICAL
DETAILS

E7.1



520 S. MAIN STREET, SUIT 2531
AKRON, OH 44311
330.572.2100 FAX: 330.572.2102

TITLE	DESCRIPTION	SUPPLIER	MANUFACTURER'S MODEL	A&D ITEM #	ORDERED BY	SHIPPED BY	INSTALLED BY	SHOP DRAWINGS
6200	Roof Access Ladder & Hatch	Precision	FL 184 (Ladder) & PLHG (Hatch)	B-049 (Ladder) & B-050 (Hatch)	DIS	DIS	GC	
8341	Door - Security	LockNet	DU3670L52VED	-	RSCS	RSCS	GC	
10290-1	Air Curtain (D/T Window)	Marley	E2400-1115FG	B-151	DIS	DIS	GC	
10290-2	Air Curtain (Service Door)	Marley	E4200-1175	B-150	DIS	DIS	GC	
	Exterior Digital Menu Board & Optional Digital Preview Board	Everbrite Stratacache	-	-	CM (Company), CM or DIS (Franchise)	Manufacturer	GC - Foundation and Conduit Sign Vendor DMB Ins	X
	Interior Menuboard	VGS	-	-	DIS	Manufacturer	GC	
	Digital Menu Board	Stratacache	-	-	-	-	-	
10430	Signage (Bldg Signs, Road Signs, Directional Signs)	Cummings Signs Everbrite (Preferred Supplier) AGI	VARIES VARIES -	VARIES VARIES -	CM (Company), CM or DIS (Franchise)	Manufacturer	Manufacturer (Local Installer)	X
10536	Canopies	Cummings Signs Everbrite (Preferred Supplier) AGI	VARIES VARIES -	VARIES VARIES -	CM (Company), CM or DIS (Franchise)	Manufacturer	Manufacturer (Local Installer)	X
10810	Restroom Accessories	Accuserv	VARIES	F-452 (if indicated in plan set), B-241, B-265, B-275, B-290 (where occurs), B-291 (where occurs), B-300, B-305, B-405, B-410	DIS	DIS	GC	
11020-1	Safe	Brinks	Tidel Series 4 (duel single note validator, standard side vault)	F-174	CM	BRINKS	BRINKS	
11020-2	Security System	Tyco	-	-	CM	Manufacturer	GC	X
11030-1	Drive-thru Window	Quikserv	QKSRVSC4030BR	B-140	RSCS	Manufacturer	GC	
11030-3	Drive-thru Clearance Bar	Cummings Signs Everbrite (Preferred Supplier) AGI	- - -	- - -	CM	Manufacturer	GC	
11030-4	Drive-thru Sensor Loops	ERC Parts Inc.	WX8171	-	Manufacturer	Manufacturer	GC	
11100-3	P.O.S.	IBM NCR PAR	- - -	VARIES VARIES VARIES	TB / IT	Manufacturer	SSP	X
11100-4	Credit Card Payment System	Hughes Network Systems	-	-	TB / IT	Manufacturer	SSP	
11300-1	Order Confirmation Board (OCB)	Delphi Display Systems Hyperactive Texas Digital	P6YUC5STDUSV1S; P6YOC5STDUSEN1S TDMHX2H01TCB;TDMHX1H26 AVNGE60	L-090 L-095	DIS	DIS	GC (see Scope of Work notes)	
11300-2	Drive-thru Speaker & Microphone	HME 3M Food Services Trad Dept	C400005HS3TB; C11422TB 78691149153; G55HSSINGLE	U-011; S-204	DIS	Manufacturer	GC	
11300-4	DT Canopy	Cummings Signs Everbrite (Preferred Supplier) AGI	- - -	V-350	CM, Franchisee or DIS on behalf of Franchisee	Manufacturer	GC (see Scope of Work notes)	X
11400-1	Kitchen Equipment	N. Wasserstrom (Franchise only) RSCS (Preferred Supplier)	VARIES VARIES	VARIES VARIES	DIS	DIS	GC (see General Comments)	X
11400-5	GTO with EVO Production Line	Delfield Duke Carter Hoffman (Evo cabinets)	VARIES VARIES VARIES	VARIES VARIES VARIES	DIS	DIS	GC / Manufacturer (Local Installer)	X
11405-3	Kitchen Shelving / Workstations	I.S.S.	VARIES	VARIES	DIS	DIS	GC	
11405-4	Walk-In Cooler / Freezer (Panelized)	I.C.S. Norlake	VARIES VARIES	VARIES VARIES	GC	Manufacturer	GC or Manufacturer (up to CM's discretion)	X
11425	Exhaust Hoods	Stratavent (preferred supplier) Gaylord Industries (Boiler hood) Randell (alternate supplier)	VARIES VARIES VARIES	VARIES VARIES VARIES	DIS	DIS	GC	X
11430-2	Drink Dispensers / Line Sets	Pepsi	-	-	RSCS	Pepsi	Pepsi (Local installer)	
11435-6	Ice Machines	Manitowoc Ice Inc & Hoshisaki	Manitowoc SY-1474C	S-513	DIS	Manufacturer	Manufacturer (Local Installer)	
11680	Office Computer (Taco System)	En Pointe Global Services	-	F-040, F-060	TB / IT	SSP	SSP	
12100-1	Artwork	GFX VGS Creative Pallette	VARIES - -	- - -	DIS	DIS	GC	
12400-5	Décor	Custom Seating (Company Supplier, base décor) FCI (Company Supplier, base décor) IDX	VARIES VARIES VARIES	- - -	DIS	DIS	GC	X
12430	Fruitista Machine	Equipment Delivery, Install and Activation FBD Equipment Manufacturer Cornelius Taco Bell Engineering	VARIES VARIES VARIES VARIES	VARIES VARIES VARIES VARIES	DIS - Equipment; GC - Installation & Setup (notify vendor 2 weeks from install date)	DIS	Service Agents - ICEE (East) or RepTec (West)	
12440	Iced Tea	Pepsi	E56150000	S-546	DIS	Supplier	GC / Supplier	
13200	CO2 - Bulk	MVE (bulk tank) NU CO2 (CO2 and service)	VARIES VARIES	S-580 S-580	DIS	DIS	Manufacturer (Local Installer)	
13700-4	CCTV	MARTCO	-	-	RSCS	MARTCO	MARTCO	X
13800-1	Energy/Building Management System	Air Care Experts Air Care Experts	TBCCB-Varies TBCCB-Varies	- -	DIS DIS	DIS DIS	GC GC	
13800-2	Hood Shutdown System	Air Care Experts	TBANS	-	Contractor	Air Care	GC	
13900-1	Fire Suppression System	Ansul	-	-	GC	GC	GC (Local Installer)	
15410	Hand Sinks	Aero	HS-Mod	N-053	DIS	DIS	GC	
15470-5	Water Filter	Shurflo	WB6-M3-22-003	-	DIS	Manufacturer	GC (see Vendor Scope - Pepsi Drink System)	
15480-3	Water Heater	AO Smith (standard) Bradford White (alternate)	AO Smith BTH-120 (standard) -	B-215 B-215	RSCS	RSCS	GC	
	Water softener	-	-	-	RSCS	RSCS	GC	
15500-1	HVAC - Test and Balance	- Melink Corp/ Air Care Experts	- - -	- - -	Determined by CM or RCM; Approved options - GC CM/RCM	Determined by CM or RCM; Approved options - GC CM/RCM	Determined by GC / CM / RCM	X
15500-2	Commissioning	Air Care Experts	-	-	gc	Air Care Experts	GC	
15500-3	Visual Verification	Air Care Experts	-	-	gc	Air Care Experts	GC	
15700-1	HVAC	Trane (Franchisee Only) Lennox (Company and Franchisee Stores) York international (Franchisee Only)	VARIES VARIES VARIES	- - -	GC GC	Manufacturer	GC	X
16300-1	Switchgear - Franchisee	Accuserv	Square-D and Cutler Hammer	VARIES	DIS	DIS	GC	X
16300-2	Switchgear - Company	Capital Lighting Capital Lighting Accuserv	Square-D and Cutler Hammer Square-D and Cutler Hammer Square-D and Cutler Hammer	VARIES VARIES VARIES	DIS DIS GC or RSCS (confirm with CM at time of bid)	DIS DIS GC	GC GC GC	X
16500	Light Fixtures - Interior and Building	Capital Lighting Accuserv (all lighting except BOH & restrooms)	VARIES VARIES	- -	DIS DIS	DIS DIS	GC GC	X
16520	Light Fixtures - Site	Capital Lighting Accuserv	VARIES VARIES	- -	DIS DIS	DIS DIS	GC GC	
16720	Telephone Communications	YUM! Telecom (Company stores) By owner through local phone service provider (franchise)	- -	- -	TB Franchisee	Manufacturer Manufacturer (Local Installer)	Manufacturer (Local Installer)	X
16820-3	Music System	Mood Media	-	F-131	TB	Manufacturer	Manufacturer (Local Installer)	X
	Coffee Brewer	Bunn	42300.0008	S-547	RSCS	RSCS	GC	
	Floor and Wall Tile	Creative Materials	-	-	GC	Manufacturer	GC	X

DATE	REMARKS
05.06.22	Issued for Permit

CONTRACT DATE: 10.06.21
BUILDING TYPE: END, MED20
PLAN VERSION: MARCH 2021
BRAND DESIGNER: WANCHO
SITE NUMBER: 0
STORE NUMBER: 0
PA/PM: AB
DRAWN BY.: RS
JOB NO.: 2020188.06

TACO BELL

3039 Dixie Highway
Edgewood, KY 41017

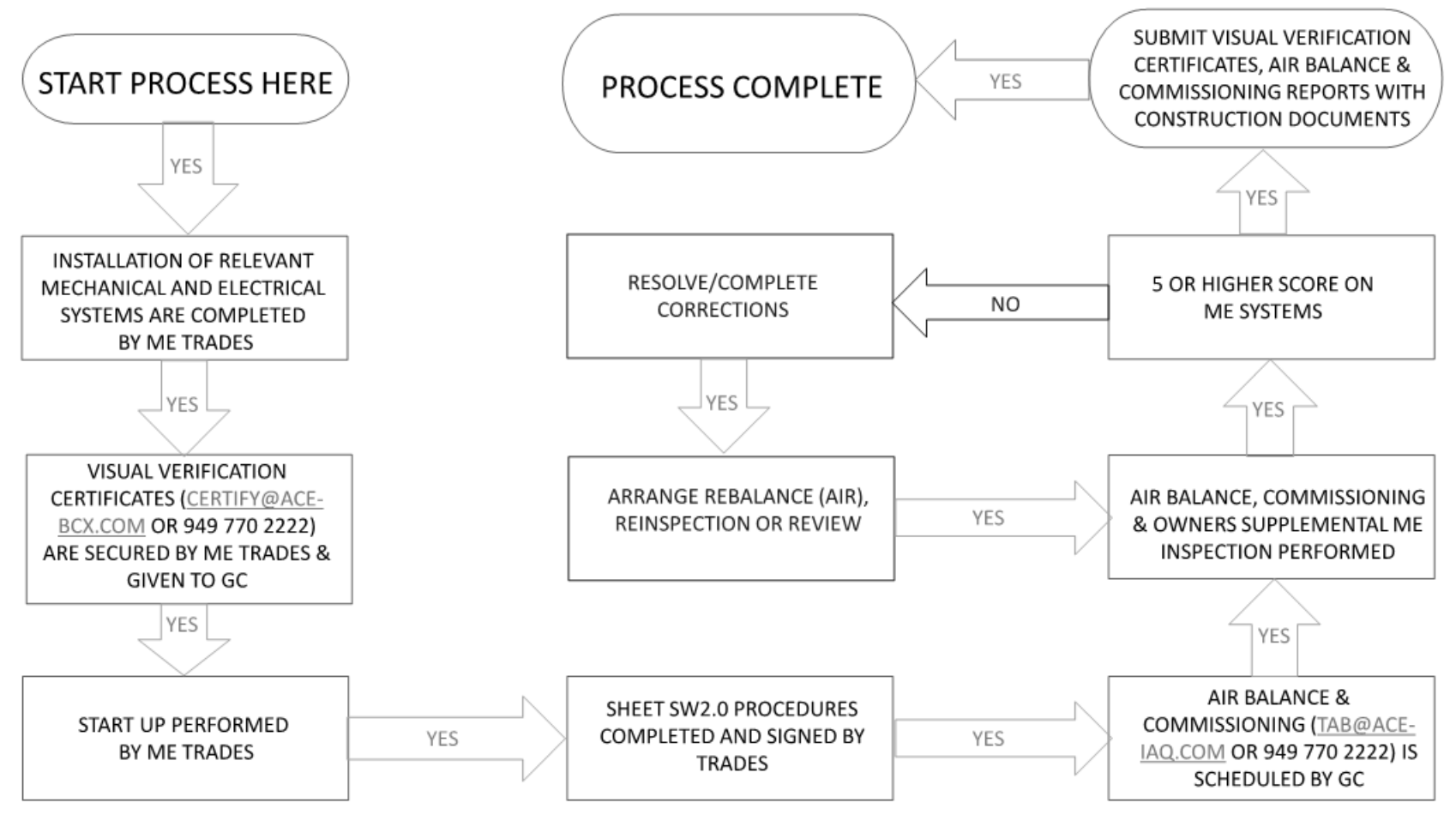


**ENDEAVOR 2.0
SCOPE OF
WORK**

SW1.0

PLOT DATE: 5/5/2022 11:13:17 AM

MECHANICAL – ELECTRICAL (ME) BALANCING & COMMISSIONING SEQUENCE & PROCEDURE



DATE	REMARKS
1 03.17.22	Issued for Bid

CONTRACT DATE: 10.06.21
 BUILDING TYPE: END. MED20
 PLAN VERSION: MARCH 2021
 BRAND DESIGNER:
 SITE NUMBER: 0
 STORE NUMBER: 0
 PA/PM: SM
 DRAWN BY.:
 JOB NO.: 2020188.06

TACO BELL
 3039 Dixie Hwy.
 Edgewood, KY 41017



ENDEAVOR 2.0
BALANCING AND COMMISSIONING SEQUENCE

SW2.1

PLOT DATE: 5/4/2022 2:28:58 PM