

LEGEND	
LEGEND MAY CONTAIN ITEMS NOT USED IN THIS BUILDING. CONTRACTOR TO VERIFY.	
— GW —	GREASY WASTE LINE
— SS —	SANITARY WASTE LINE
— RAIN —	RAIN WATER LINE
← ← ← ← ← ←	SAFEWASTE PIPING
⊕	F.C.O. — FLOOR CLEANOUT
⊖	F.D. — FLOOR DRAIN
⊗	F.S. — FLOOR SINK
⊙	HUB OR FUNNEL DRAIN
↑	V.T.R. — VENT THRU-ROOF
U	FIXTURE TRAP
— W.C.O. —	W.C.O. — WALL CLEAN OUT
---	VENT PIPING

PLUMBING FIXTURE SCHEDULE					
MARK	FIXTURE	MANUFACTURER	MODEL NUMBER	MODEL NAME	VALVE
P-1	WATER CLOSET	* REFER TO SHEET A-3.1 FOR IMAGE SPECIFIC FIXTURES			
P-2	WATER CLOSET — ADA	* REFER TO SHEET A-3.1 FOR IMAGE SPECIFIC FIXTURES			
P-3	URINAL — ADA	* REFER TO SHEET A-3.1 FOR IMAGE SPECIFIC FIXTURES			
P-4	LAVATORIES	* REFER TO SHEET A-3.1 FOR IMAGE SPECIFIC FIXTURES			
P-5	MOP SINK	CAST IN PLACE			CHICAGO #897-CP —OR— AMERICAN STANDARD #8344.111 —OR— KOHLER #8907
P-6	WATER HEATER	RINNAI —OR— RINNAI	C199I RUR98I	REU-KBD3237FFUDC-US REU-KBP3237FFUD-US	
P-7	TEMPERING VALVE	WATTS	N170L-M2		
P-8	FLOOR SINK	JOSAM J.R. SMITH ZURN	49300 (49320A AT 3-COMP SINK) 3100 (3111 AT 3-COMP SINK) Z1910 (Z1900 AT 3-COMP SINK)		
P-9	FLOOR DRAIN	JOSAM J.R. SMITH ZURN	30000-50 2010-AP Z-415B-P		
NOTES: 1. COMPARABLE FIXTURES BY AMERICAN STANDARD, ELJER AND KOHLER ARE ACCEPTABLE. 2. TOILET SEATS TO BE CHURCH 9500SSG, KOHLER K-4671-C, OLSONITE #10C OR EQUAL. 3. IN SINGLE USE RESTROOMS ALL FIXTURE MUST BE ADA COMPLIANT.					

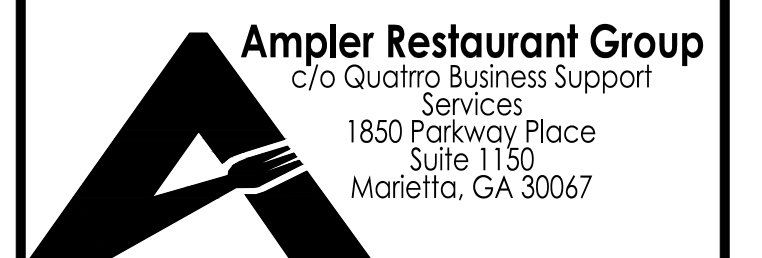
Issued:	Date:
A BKC Approval	10/29/2021
B Permit Set	1/28/2022
C Bid Set	4/25/2022
D	
E	
Revisions:	Date:
1	
2	
3	
4	
5	
6	
7	
8	
9	

Seal	Seal
PROJECT ARCHITECT/ENGINEER	DATE
PROJECT LEAD	DATE
PROJECT DESIGNER	DATE

Copyright ©2022
APD Engineering & Architecture, LLC

Drawing Alteration
It is a violation of law for any person, unless acting under the direction of licensed Architect, Professional Engineer, Landscape Architect, or Land Surveyor to alter any item on this document in any way. Any licensee who alters this document is required by law to affix his or her seal and to add the notation "Altered By" followed by his or her signature and the specific description of the alteration or revision.

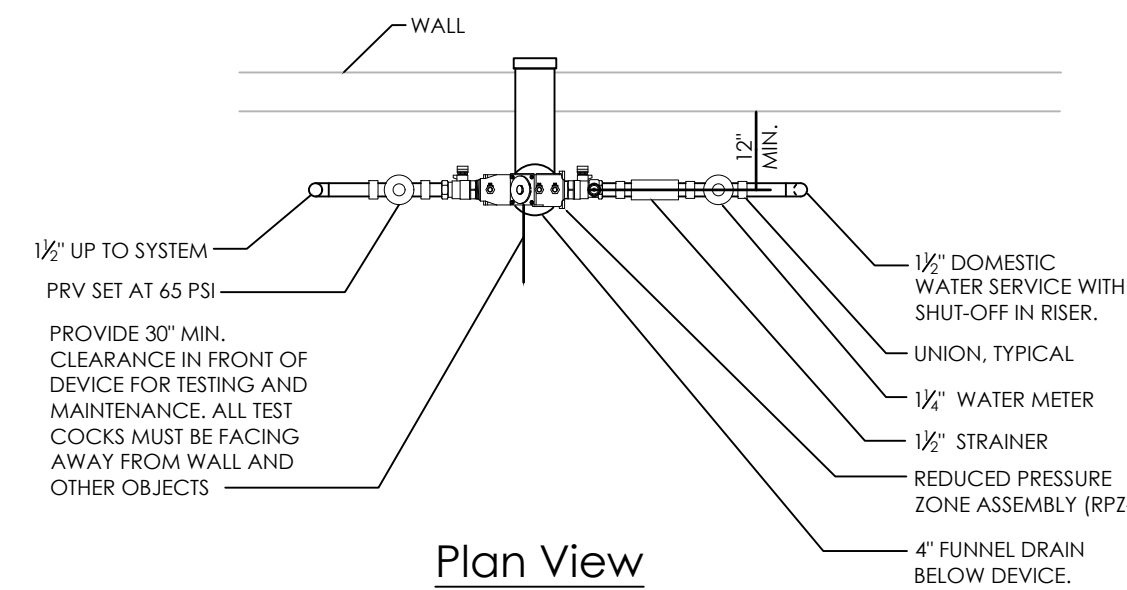
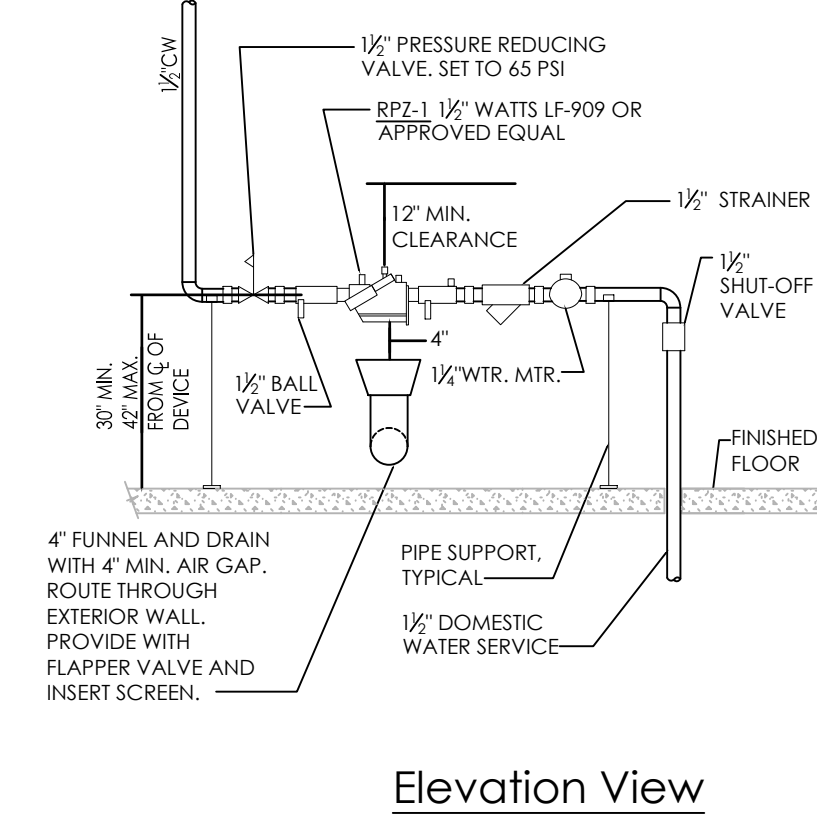
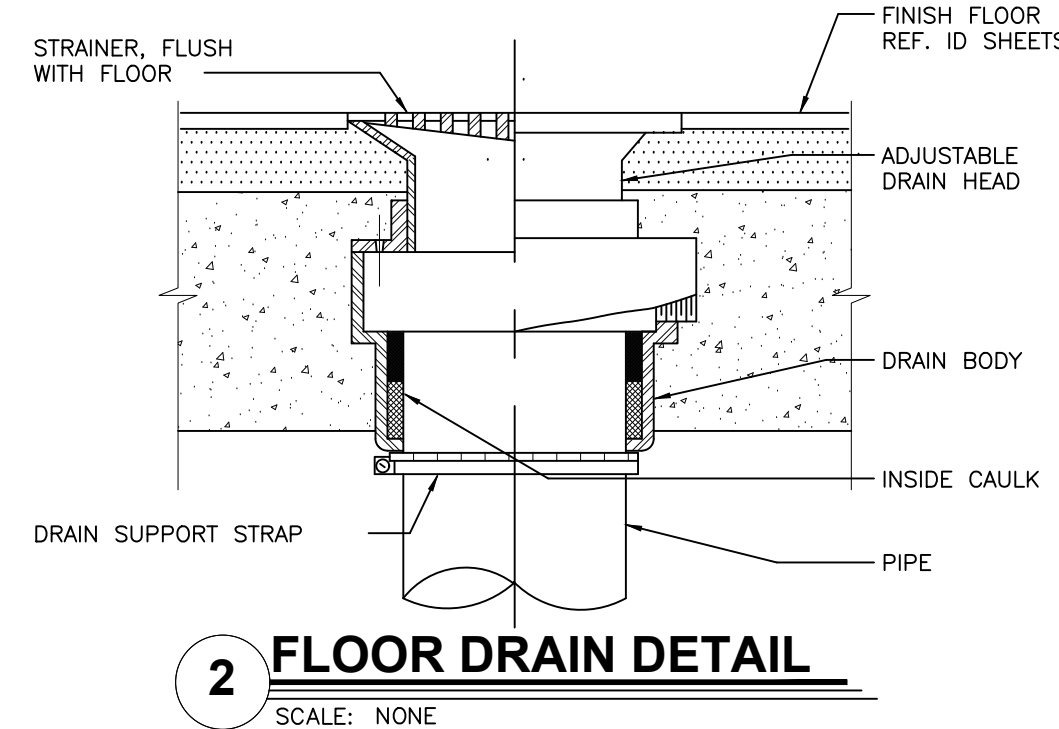
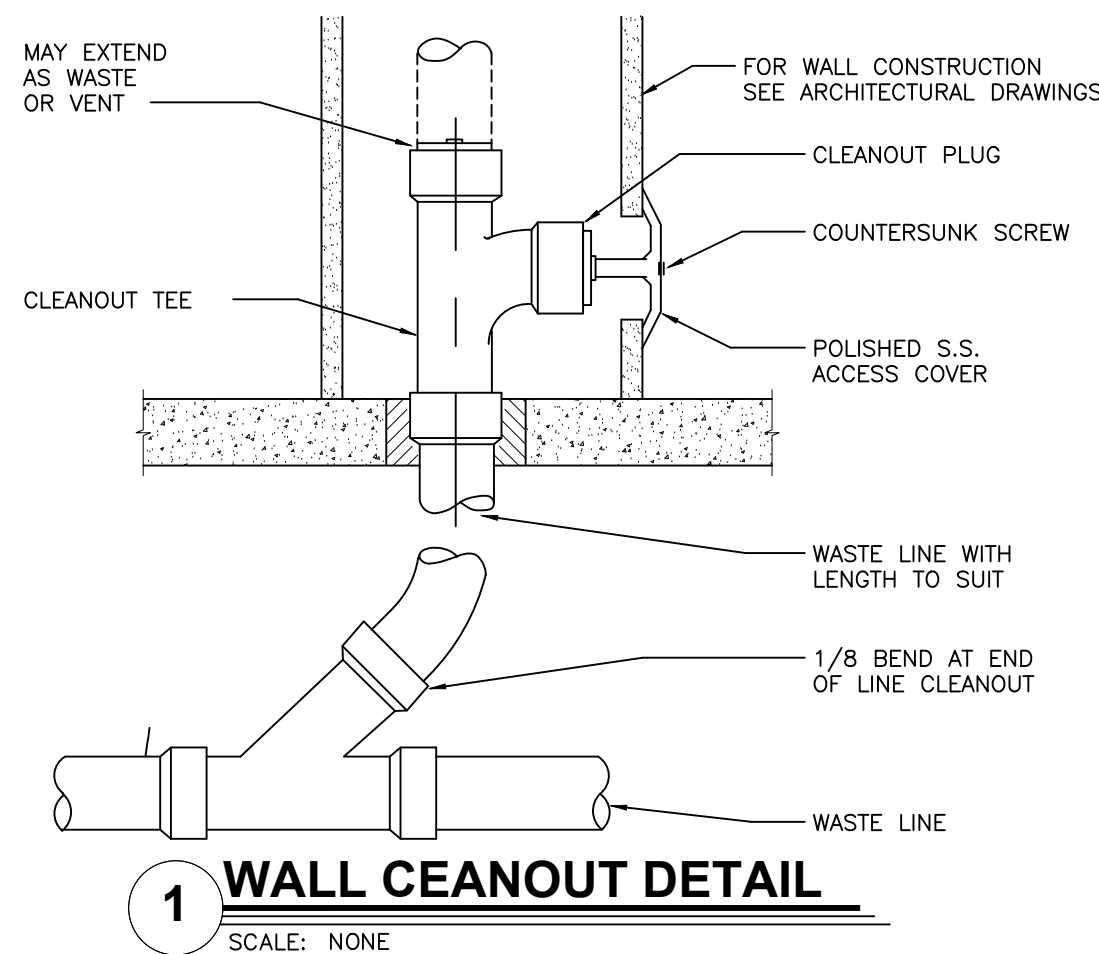
DO NOT SCALE PLANS
Copying, Printing, Software and other processes required to produce these prints can stretch or shrink the actual paper or layout. Therefore, scaling of this drawing may be inaccurate. Contact APD E&A with any need for additional dimensions or clarifications.



Burger King Inc.
Store # 30011
108 Egg Harbor Road
Sewell, NJ 08080
Gloucester County
Project Name & Location:

PLUMBING DETAILS AND SCHEDULES
Drawing Name:

Date: 11/8/2021	Project No. 21-0458
Type: BK ROC-60	
Drawn By: SR	P-1.1
Scale: As Noted	Drawing No.



- Detail Notes
- RPZ SHALL BE ADEQUATELY SUPPORTED TO PREVENT LATERAL MOVEMENT. PIPE HANGERS, BRACES, SADDLES, PIERS, ECT., SHOULD BE USED TO SUPPORT THE RPZ AND SHOULD BE PLACED IN A MANNER THAT WILL NOT OBSTRUCT THE FUNCTION OF, OR INTERFERE WITH ACCESS TO THE RPZ.
 - LOCATION OF RPZ SHALL BE HEATED AND WELL LIGHTED.
 - PROVIDE THE FOLLOWING CLEARANCES AROUND THE BACKFLOW PREVENTION DEVICE:
12" MIN. ABOVE DEVICE.
30" MIN. IN FRONT OF DEVICE.
12" MIN. BEHIND DEVICE.

