

Contact Information for the Job Site Contractor

Overview
Typically the package provided by HK Industries includes the following:
1. One Hood
2. One Metal Fab UL listed grease exhaust duct system
3. One Loren Cook exhaust fan
4. One Amerex fire system, to serve both Broiler & Fryer Hoods.

The shipment from HK includes the following:
1. Broiler Hood
2. Broiler Hood Enclosure Panels
3. Broiler Hood Wall Flashing
4. One Exhaust Fan Discharge Duct Extension

The Metal-Fab grease exhaust duct systems are dropped shipped from their factory in Wichita, Kansas.

NOTE 1: If optional Square Duct Kit is ordered, the kit will be shipped with the hood.

The Loren Cook exhaust fans and roof curb is dropped shipped from their factory in Springfield, Missouri.

Manufactured by:
H&K International
2200 Skyline Dr.
Mesquite, TX 75149
U.S.A.
Telephone: (214) 818-3500
(214) 818-3596

Distributed by:
H&K International
2200 Skyline Dr.
Mesquite, TX 75149
U.S.A.
Telephone: (214) 818-3500
(214) 818-3596

Part Ordering and Service Returns
Contact: H&K International
2200 Skyline Dr.
Mesquite, TX 75149
U.S.A.
Telephone: (214) 818-3500
(214) 818-3596

Service and parts
Contact: H&K International
2200 Skyline Dr.
Mesquite, TX 75149
U.S.A.
Telephone: (214) 818-3500
(214) 818-3596

Contact Information
Sales Support
Heather Valverde
Telephone: (214) 818-3521
E-mail: heather.valverde@hki.com
Engineering Support
Bryan Tom
Telephone: (214) 818-3580
E-mail: bryan.tom@hki.com
Allen Barton
Telephone: (214) 818-3625
E-mail: allen.barton@hki.com

Metal-Fab Duct Installation Questions
Metal-Fab Inc., Wichita, Kansas
1. Customer Service, Commercial Vent Products:
800-835-2830

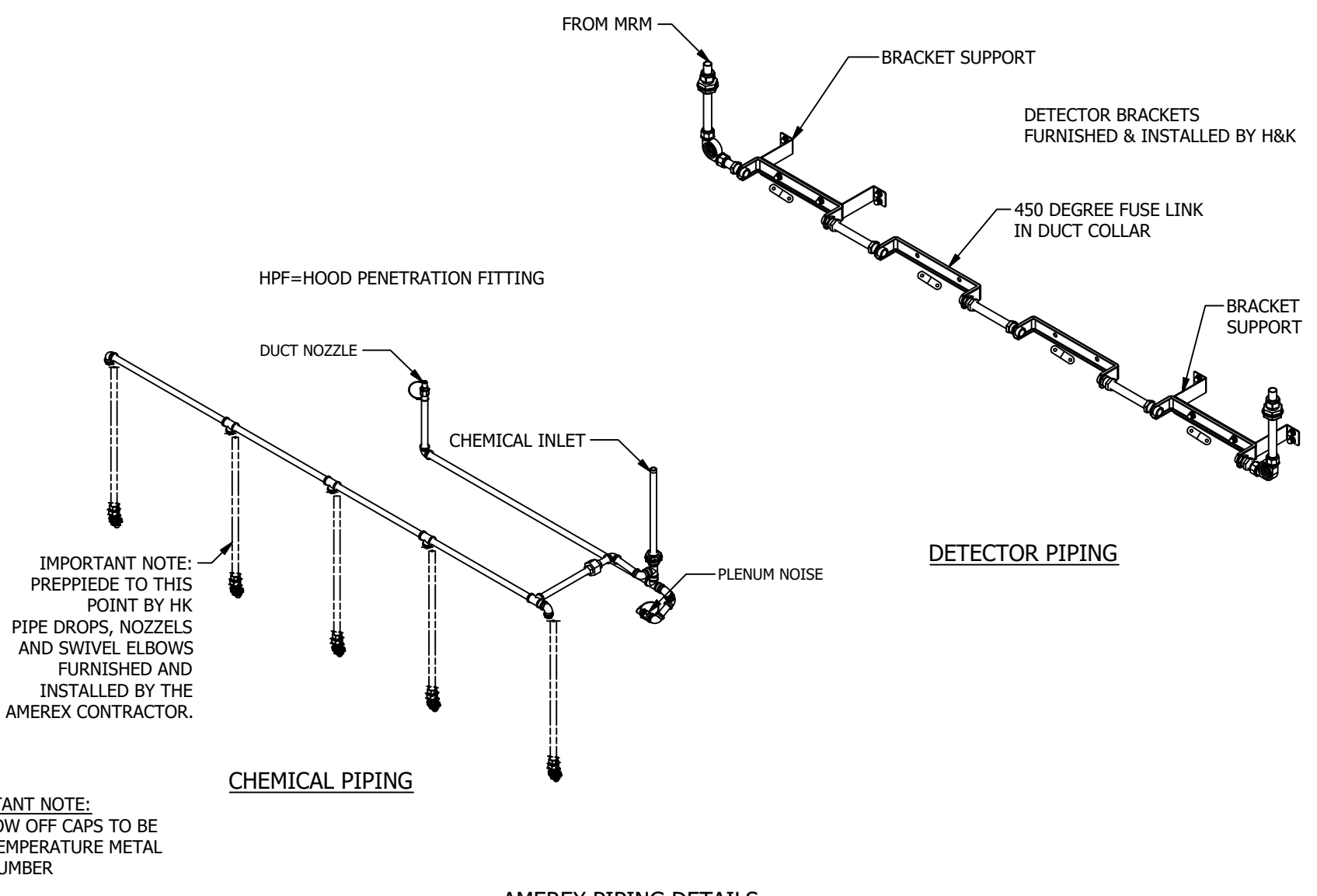
Loren Cook Fan Installation Questions
Loren Cook Company, Springfield, Missouri:
1. David Ray Office Phone: 417-869-6474

Amerex Fire System Installation Questions
The Hood has been factory pre-pped for an Amerex fire system. The package from HK includes complete installation of the Amerex fire system including all plans, permits, check out and certification. The local Amerex distributor will bring all the system components at the time of installation.

Important Note: The local Amerex distributor will make contact with the general contractor to set up the installation schedule. If you have not heard from the distributor contact:
Amerex Corporation, Tusculum, Alabama
1. Karen Mann Office Phone: 205-655-5730

Ansul Fire System Installation Questions
Note: As an option, the hoods may be pre-pped for an Ansul R-102 fire system. If this option is used, Gaylord does not provide complete installation.

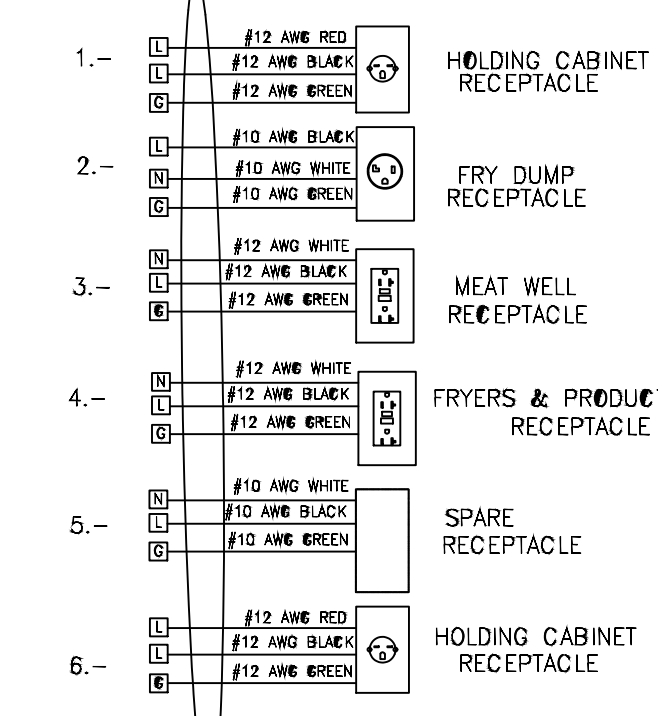
If you have questions regarding Ansul installations & you do not know your local Ansul distributor, contact:
Ansul Inc., Marinette, WI.
Office Phone: 800-862-6785



AMEREX PIPING DETAILS
BROILER / OVEN HOOD

NOTE: 115VAC / 60HZ
SINGLE - PHASE
LESS THAN 12 AMPS

ALL WIRES RUN TO BREAKER PANEL
PROVIDED BY CONTRACTOR



NOTE:
IF LOCAL CODE REQUIRES G.F.I. PROTECTION, THE PROTECTION SHALL BE PROVIDED IN THE CIRCUIT BREAKER PANEL BY THE ELECTRICIAN.

IMPORTANT NOTE:
IF FRYER DUMP IS ON THE RIGHT, THE SITE ELECTRICIAN SHALL SWITCH THE 30AMP #5-30R DUPLEX RECEPTACLE FOR THE 20AMP RECEPTACLE AT THE LEFT END

ITEM NO.	QTY	PART NO.	DESCRIPTION	MATERIAL
1	1	E-1081	SYNDONOUT (FS) 1/2 FLEX SIT	-
2	1	E-1111	RECEPT PNL. 20A GFCI	-
3	16	E-1016	WIRE 12 BK THIN STRND 600V	-
4	16	E-1016	WIRE 12 BK THIN STRND 600V	-
5	16	E-1016	WIRE 12 GR THIN STRND 600V	-
6	11	E-1017	WIRE 10 BK THIN STRND 600V	-
7	11	E-1017	WIRE 10 BK THIN STRND 600V	-
8	11	E-1017	WIRE 10 GR THIN STRND 600V	-
9	11	E-1017	WIRE 10 GR THIN STRND 600V	-
10	1	E-2-12	J BOX 4 X 4 X 1 1/2	-
11	1	E-2-12	J BOX 4 X 4 X 1 1/2	-
12	1	E-2-12	J BOX 4 X 4 X 1 1/2	-
13	1	E-1-09	COVER PLATE (FS) FOR GFCI BS 97491	-
14	1	E-1-09	CONNECTOR (FS) EX ST 17854	-
15	1	E-1-09	RECEPTACLE (FS) 20A GFCI BS 97491	-
16	1	E-1-09	RECEPTACLE (FS) 20A GFCI BS 97491	-
17	1	E-1-09	COVER PLATE BS 24 573 HURBELL	-
18	1	E-1-15	COVER PLATE (FS) BS HURBELL 89291	-

H&K International	DATE: 05/17/2016	REV: A	TITLE: 6'-4" FRYER HOOD
SCALE: 1/8" = 1'-0"	DATE: 19 OF 19	REV: A	TITLE: 6'-4" FRYER HOOD
COMMENTS:	REV: _____	REVISION: _____	DATE: _____

H&K International	DATE: 05/17/2016	REV: A	TITLE: 6'-4" FRYER HOOD
SCALE: 1/8" = 1'-0"	DATE: 9 OF 19	REV: A	TITLE: 6'-4" FRYER HOOD
COMMENTS:	REV: _____	REVISION: _____	DATE: _____

H&K International	DATE: 05/17/2016	REV: A	TITLE: 6'-4" FRYER HOOD
SCALE: 1/8" = 1'-0"	DATE: 18 OF 19	REV: A	TITLE: 6'-4" FRYER HOOD
COMMENTS:	REV: _____	REVISION: _____	DATE: _____

Issued:	Date:
A BKC Approval	10/29/2021
B Permit Set	1/28/2022
C Bid Set	4/25/2022
D	
E	
Revisions:	Date:
1	
2	
3	
4	
5	
6	
7	
8	
9	

Seal	Seal
PROJECT ARCHITECT/ENGINEER	DATE
PROJECT LEAD	DATE
PROJECT DESIGNER	DATE

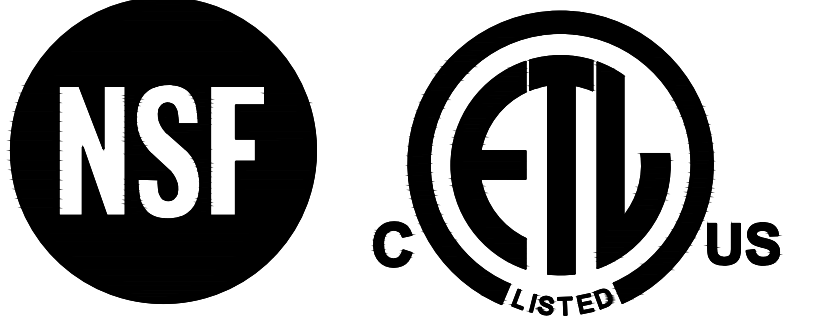
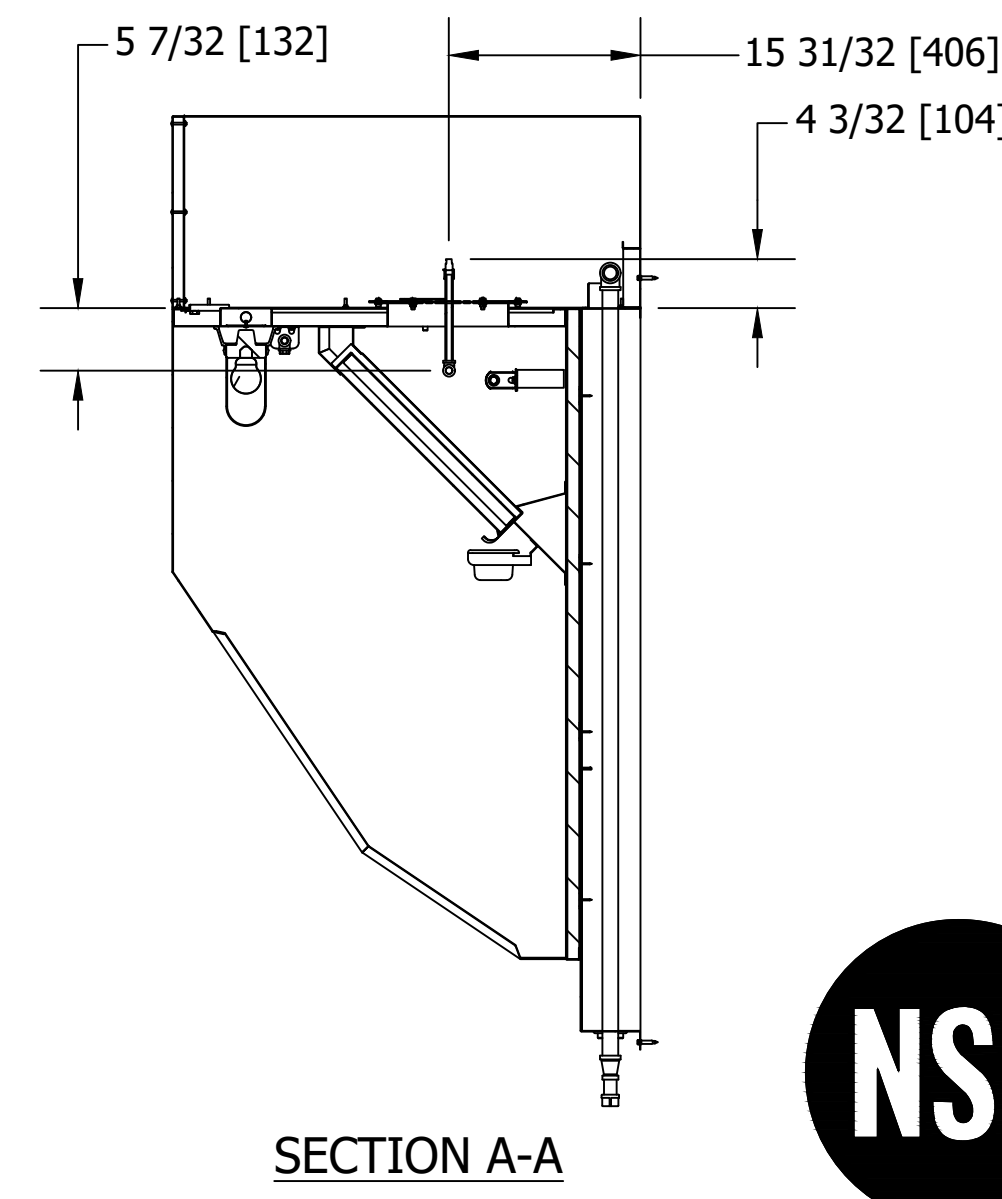
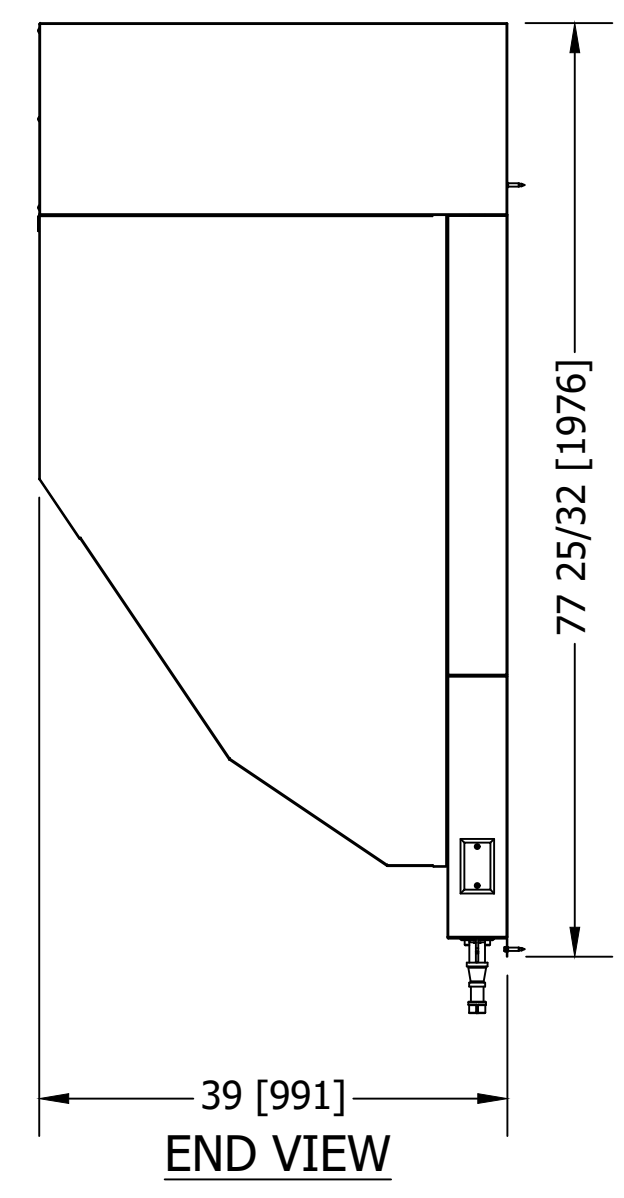
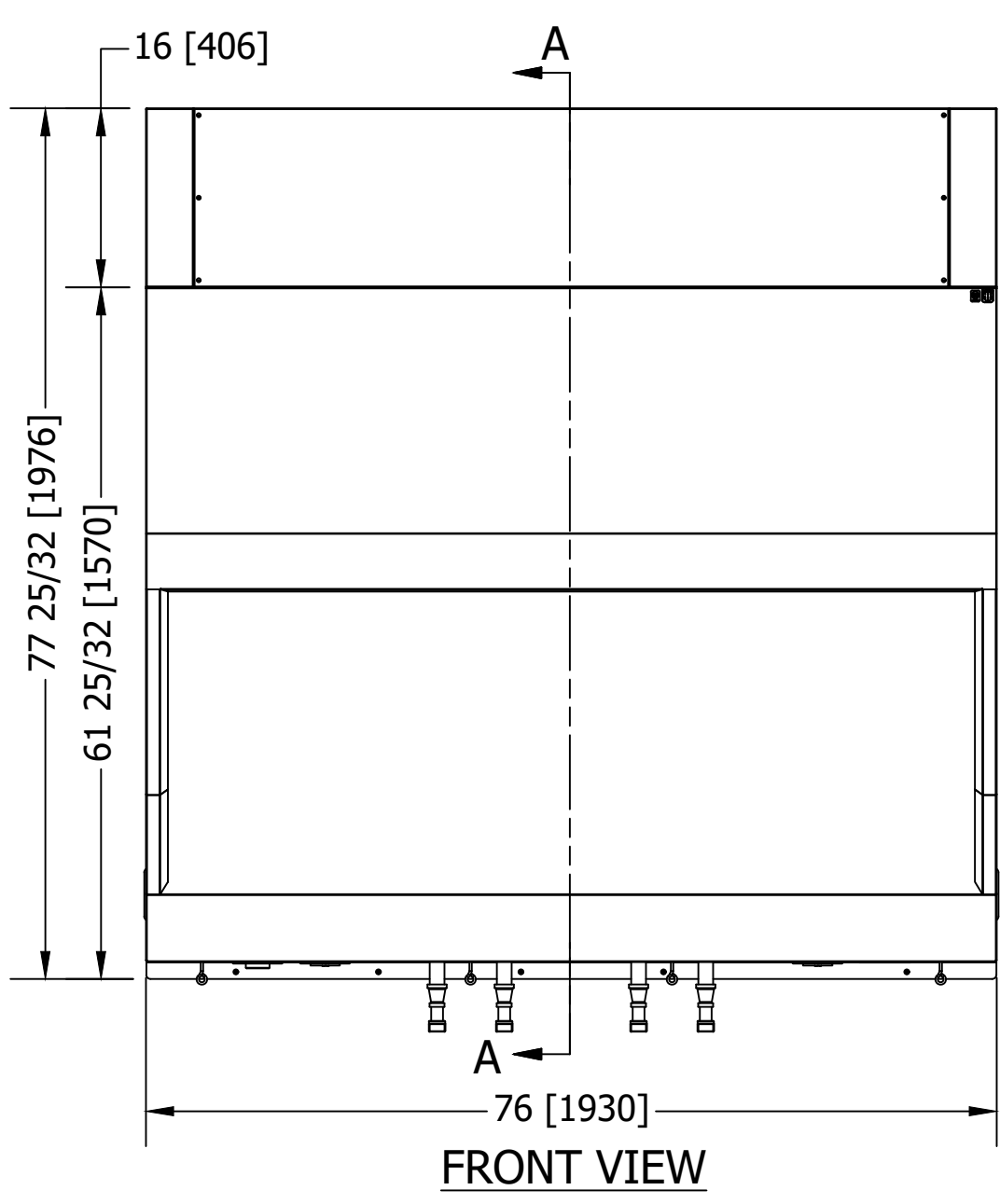
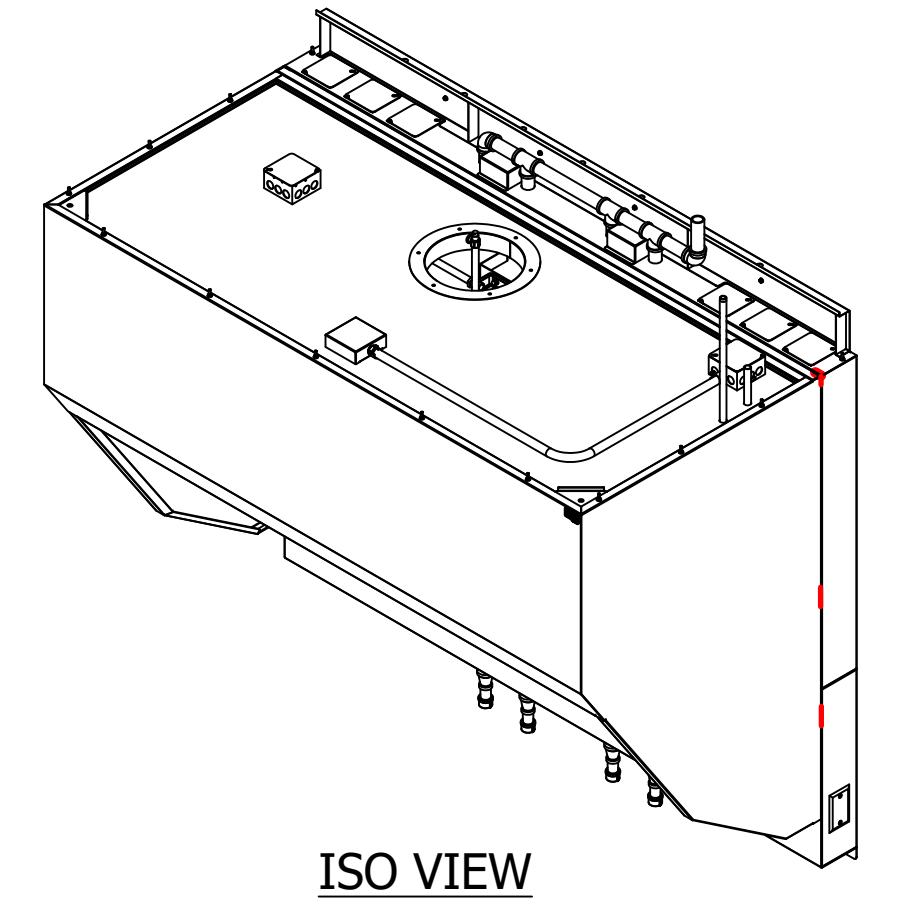
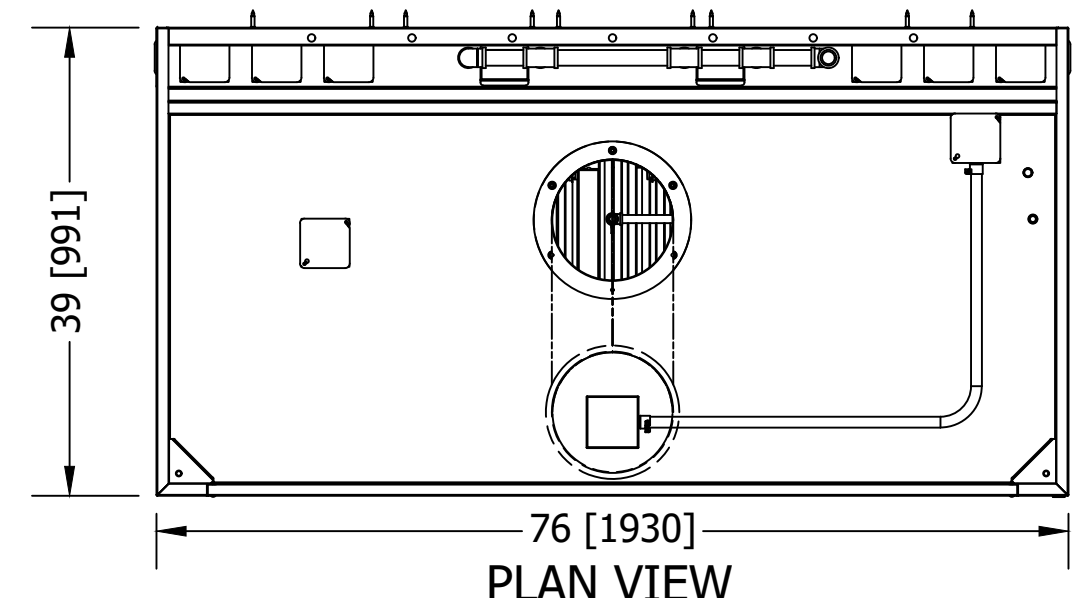
Copyright © 2022
APD Engineering & Architecture, LLC
11111 111th St.
Wichita, KS 67204
913.262.2222

Drawing Alteration
It is a violation of law for any person, unless acting under the direction of a Licensed Architect, Professional Engineer, Landscape Architect, or Land Surveyor to alter any item on this document in any way. Any licensee who alters this document is required by law to affix his or her seal and to add the notation "Altered By" followed by his or her signature and the specific description of the alteration or revision.

DO NOT SCALE PLANS
Copying, Printing, Software and other processes required to produce these prints can stretch or shrink the actual paper or layout. Therefore, scaling of this drawing may be inaccurate. Contact APD E&A with any need for additional dimensions or clarifications.

615 Fishers Run Victor, NY 14564
585.742.2222 - www.apd.com

c/o Quattro Business Support Services
1850 Parkway Place
Suite 1150
Marietta, GA 30067



ALL JOINTS MUST BE SEALED WITH FIRE BARRIED(M-6-10-7) TODAS LAS UNIONES BEBEN SER SELLADAS CON FIRE BARRIED(M-6-10-7)

REVISION HISTORY			
REV	Change Desc	Rev Date	ENG
A	Notches were added in the piece 52440-1.05A.003	10/12/21	JS
-	First Check in		

DATE: 5/28/2020	MATERIAL:	REV	REVISION	DATE	CUSTOMER:
DRAWN: Mmendoza	WIDTH: N/A	A	20213796 JS	10/11/2021	
WEIGHT: N/A	GRAIN LENGTH: N/A				
COMMENTS:					
THIRD ANGLE PROJECTION		UNLESS OTHERWISE SPECIFIED: TOLERANCES: X[X.X/X] ±1.00 mm ±0.039" X.X[X.XXX] ±0.75 mm ±0.029"		UNITS: mm [in]	ITEM NO: 52440-1-ANS
THESE DRAWINGS AND SPECIFICATION ARE THE PROPERTY OF H&K AND SHALL NOT BE REPRODUCED OR COPIED OR TRANSFERRED TO A THIRD PARTY WITHOUT THE WRITTEN PERMISSION OF H&K.		SIZE: A3	SHEET 1 OF 6	TITLE: 6' 4" FRYER HOOD ANSUL	

HVAC SYSTEM
N-C-A
CONSULTANTS / GROUP
NATIONAL CORPORATE ACCOUNT SERVICES, INC.

DRAWINGS SHOWN ARE FOR PROTOTYPAL CONSIDERATIONS ONLY. SITE-SPECIFIC DESIGN IS REQUIRED BY BURGER KING CORPORATION. AS A CONSULTANT, NCA CONSULTANTS PROVIDES SITE-SPECIFIC DESIGN WITH SITE-SPECIFIC PROFESSIONAL ENGINEER SEAL UNDER AN AGREEMENT BETWEEN NCA CONSULTANTS AND BURGER KING CORPORATION.

FOR SITE-SPECIFIC DESIGN, ARCHITECTS EMAIL REFLECTED CEILING PLAN, ELEVATIONS, KITCHEN PLANS, FLOOR PLAN, SITE PLAN, EXTERIOR ELEVATIONS, AND ROOF STRUCTURAL PLAN TO DESIGN@NCACONSULTANTS.COM

TO CONTACT THE NCA CONSULTANTS BY PHONE, CALL TOLL-FREE (877) 530-0078.

DATE: 05/17/2016
SCALE: 1/8" = 1'-0"
NOT FOR CONSTRUCTION

© Copyright 2022- Drawings, specifications, notes, database, computer files, field data, and reports as instruments of service prepared by the Design of Record. As instruments of services, these items remain the property of the Design of Record, who shall retain all statutory and other reserved rights, including the copyright thereto. Any use, reproduction or changes to these documents without written consent of NCA Consultants is a violation of federal copyright laws.

Burger King Inc.
Store # 30011
108 Egg Harbor Road
Sewell, NJ 08080
Gloucester County
Project Name & Location:

FRYER HOOD DRAWINGS	Project No.
Drawing Name:	21-0458
Date: 11/8/2021	
Type: BK ROC-60	
Drawn By: SR	M-8
Scale: As Noted	Drawing No.