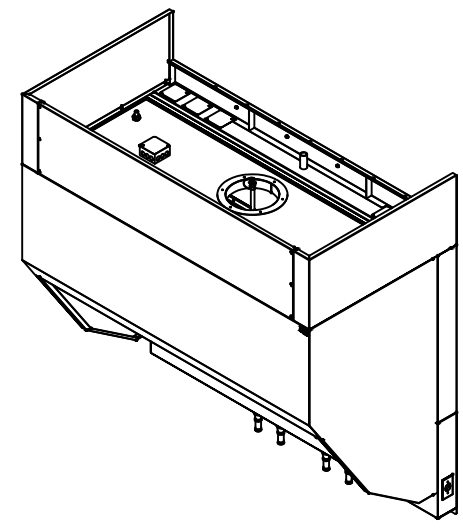


6' 4" FRYER HOOD



DESCRIPTION
 * THE H&K INTERNATIONAL MODEL # 52440-1 CANOPY-STYLE VENTILATION HOOD IS INTENDED SPECIFICALLY FOR APPLICATIONS WHERE A BASKET FRYER CONFIGURATION ARE USED.

INSTALLATION
 * IT INCLUDES A 5" AIR SPACE/1" INSULATED BACK PANEL (TOTALING 6")-APPROVED FOR MOUNTING DIRECTLY TO A LIMITED COMBUSTIBLE WALL (SHEET ROCK AND METAL STUDS).
 * HOODS ARE PRE-PIPED FOR AMEREX OR ANSUL FIRES SUPPRESSION SYSTEMS
 * ENCLOSURE PANELS AND WALL FLASHING ARE MANUFACTURED FROM 16-GAUGE STAINLESS STEEL.

FILTERS/GREASE REMOVAL
 * THIS HOOD UTILIZES A COMBINATION OF FLAMEGUARD HEAVY-DUTY STAINLESS STEEL GREASE FILTERS--16" X20" AND 20" X20" SIZES--(ULUS LISTED (FILE # R10173)).
 * THEY MUST BE INSTALLED AT ALL TIMES DURING VENTILATION HOOD OPERATION

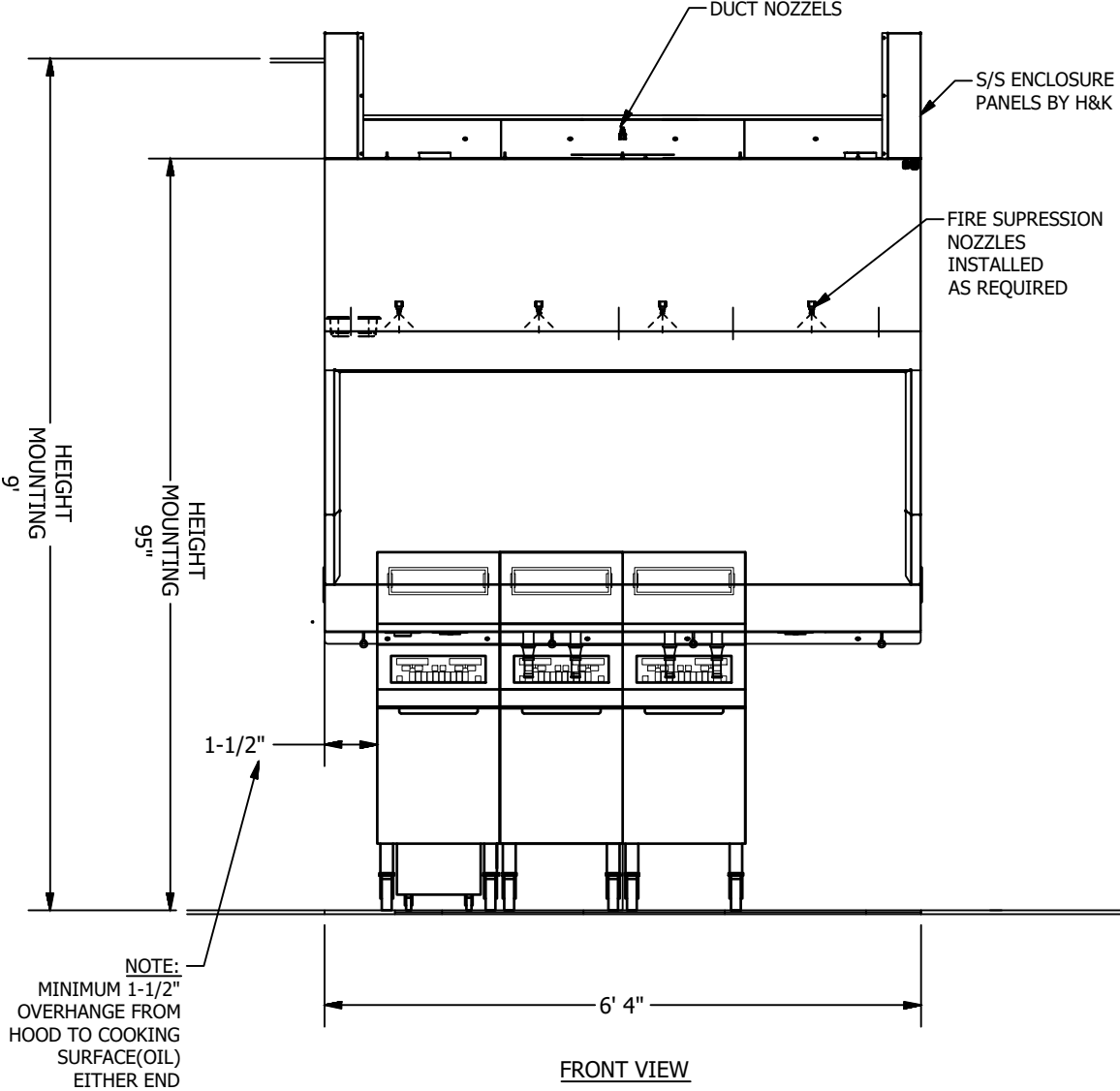
INDEX	
SHEET #	DESCRIPTION
01	COVER SHEET
02	FRONT ELEVATION
03	SECTION VIEW
04	PLAN VIEW
05	FIRE SUPPRESSION SYSTEM
06	FRONT ELEVATION - UTILITIES
07	UTILITIES PLAN VIEW
08	TYPICAL GAS APPLIANCE CONNECTION DETAILS
09	AMEREX PRE-PIPING DETAILS
10	COVER SHEET/ENCLOSURE PANEL DETAILS
11	HOOD HANGING DETAILS
12	WALL FLASHING DETAILS
13	FAN SPECIFICATION
14	BROILER/OVEN HOOD EXHAUST FAN DUCT EXTENSION
15	BK HOOD EXHAUST FAN-FIRE SYSTEM-HVAC SYSTEM CONTROL MATRIX
16	RATING LABEL
18	WIRING DIAGRAM
19	CONTACT INFORMATION

NOTE: INSTALLATION TO BE IN ACCORDANCE WITH ULC-S650, STANDARD FOR THE INSTALLATION AND PERFORMANCE OF VENTILATION AND FIRE SUPPRESSION FOR COMMERCIAL AND INSTITUTIONAL COOKING EQUIPMENT.

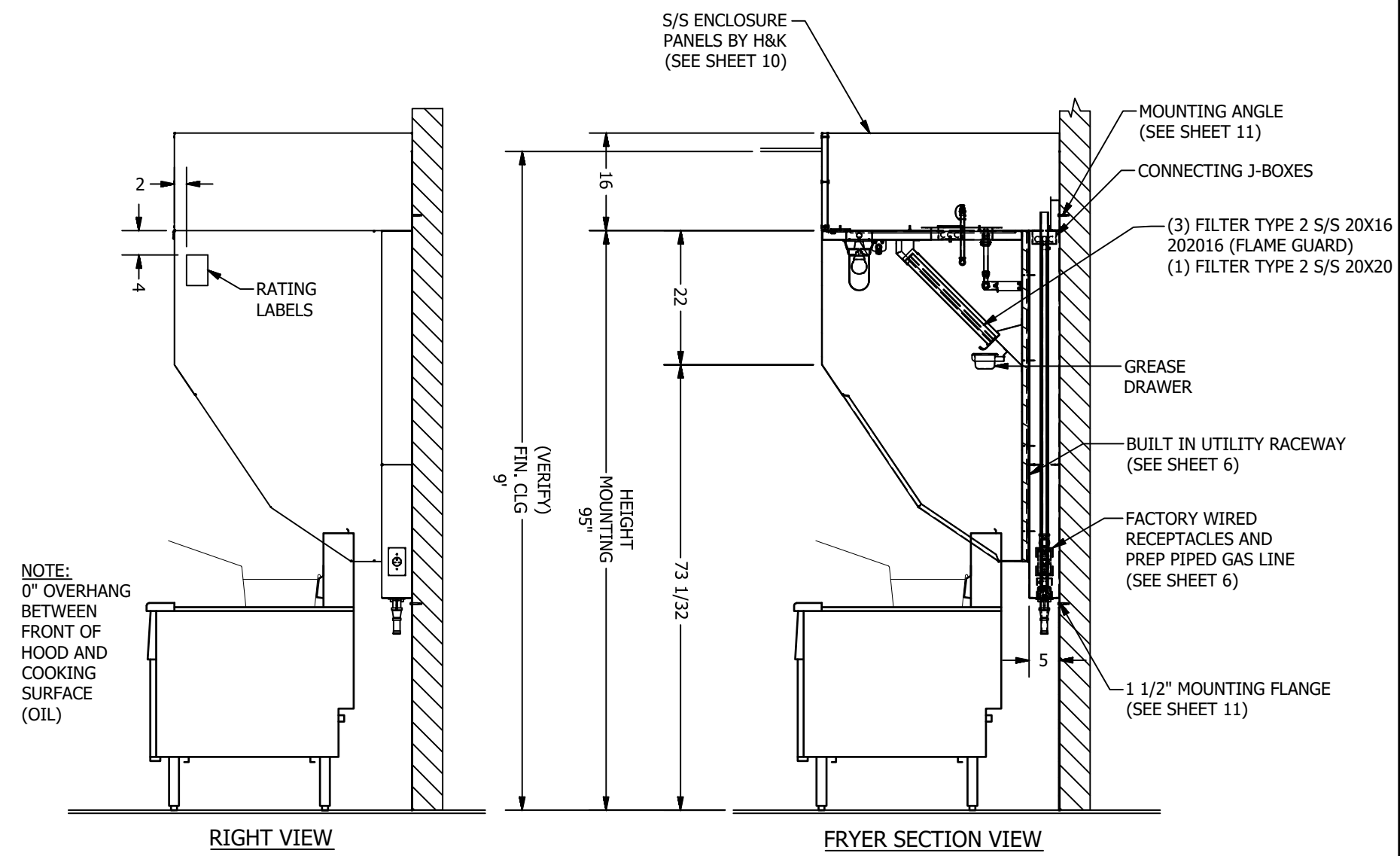
APPROVALS / CERTIFICATIONS
 THIS HOOD COMPLES WITH THE FOLLOWING:
UL710 / ULC-S646
 STANDARD FOR EXHAUST HOOD AND RELATED CONTROLS FOR COMMERCIAL AND INSTITUTIONAL COOKING EQUIPMENT
NFPA96
 NATIONAL FIRE PROTECTION ASSOCIATION - STD 96
NSF2
 NATIONAL SANITATION FOUNDATION NO. 2 "FOOD SERVICE EQUIPMENT"

NOTE: THE EXHAUST AIR FLOW RATES WERE ESTABLISHED UNDER CONTROLLED LABORATORY CONDITIONS. GREATER EXHAUST RATES MAY BE REQUIRED FOR COMPLETE VAPOR AND SMOKE REMOVAL IN SPECIFIC INSTALLATIONS.

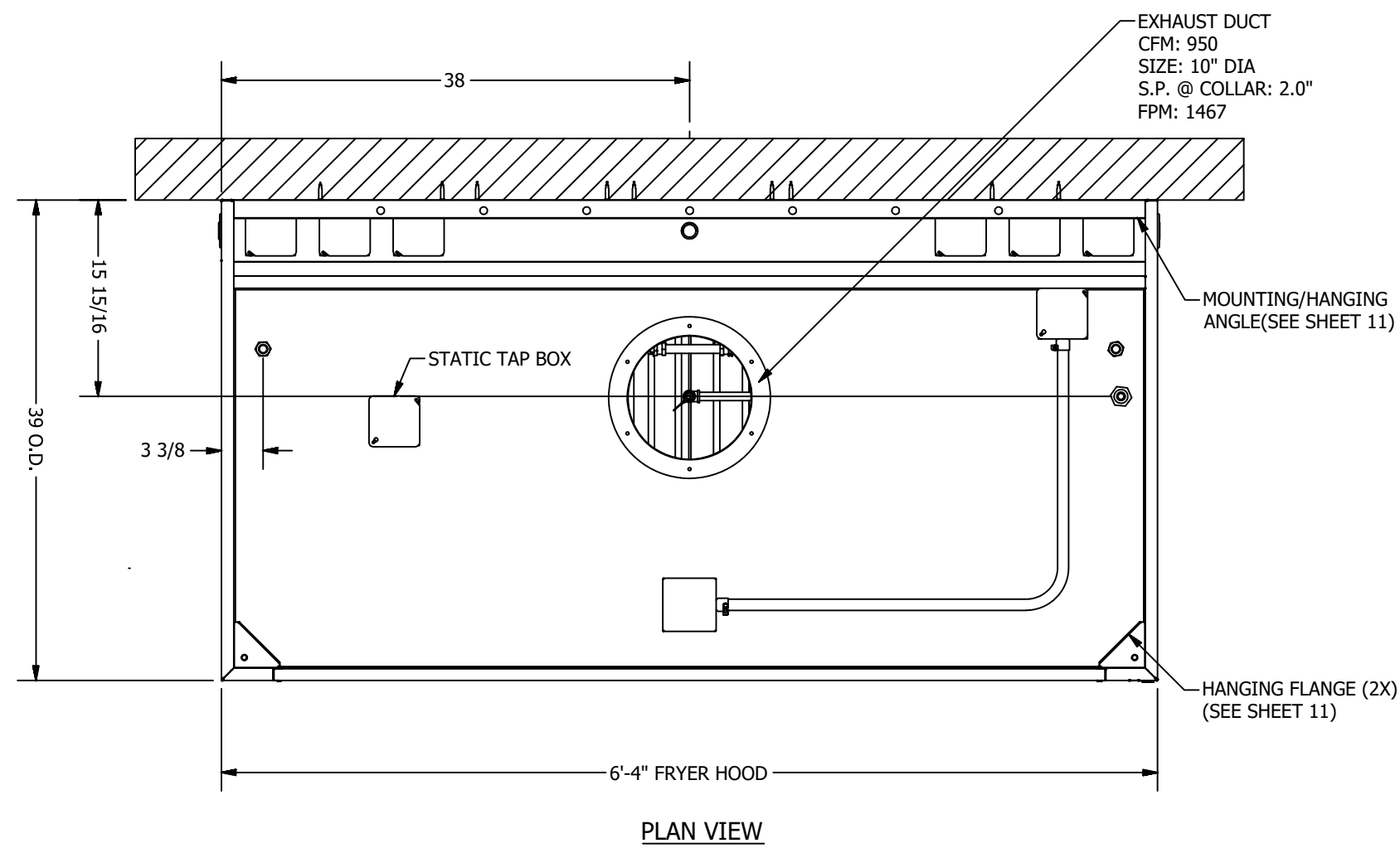
H&K International	DATE: 05/17/2016	SCALE: 1/8" = 1'-0"	TITLE: 6'-4" FRYER HOOD
Rev: A	DATE: 05/17/2016	SCALE: 1/8" = 1'-0"	TITLE: 6'-4" FRYER HOOD
1 OF 19	REV: REVISION	DATE: DATE	DATE: DATE



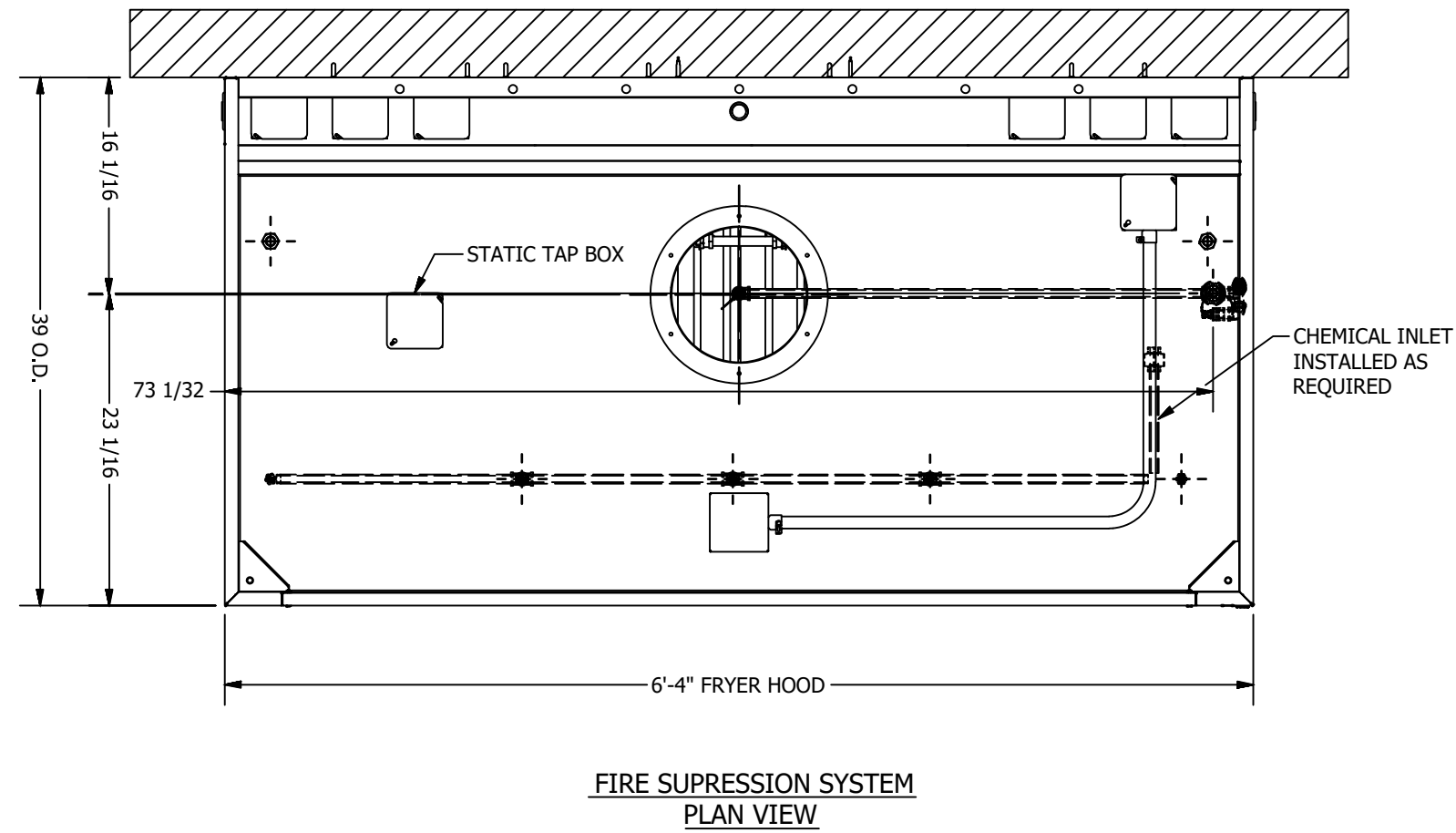
H&K International	DATE: 05/17/2016	SCALE: 1/8" = 1'-0"	TITLE: 6'-4" FRYER HOOD
Rev: A	DATE: 05/17/2016	SCALE: 1/8" = 1'-0"	TITLE: 6'-4" FRYER HOOD
2 OF 19	REV: REVISION	DATE: DATE	DATE: DATE



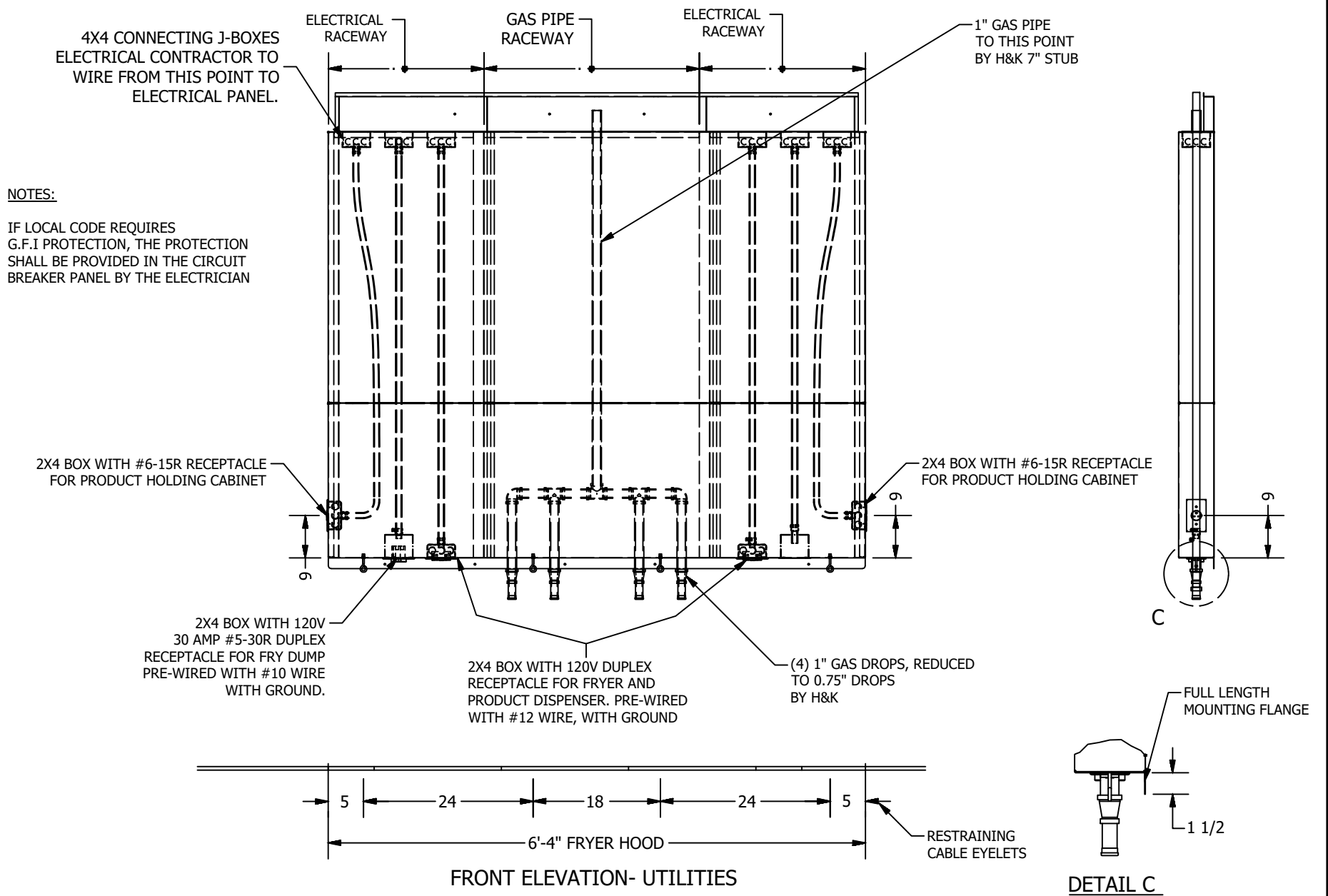
H&K International	DATE: 05/17/2016	SCALE: 1/8" = 1'-0"	TITLE: 6'-4" FRYER HOOD
Rev: A	DATE: 05/17/2016	SCALE: 1/8" = 1'-0"	TITLE: 6'-4" FRYER HOOD
3 OF 19	REV: REVISION	DATE: DATE	DATE: DATE



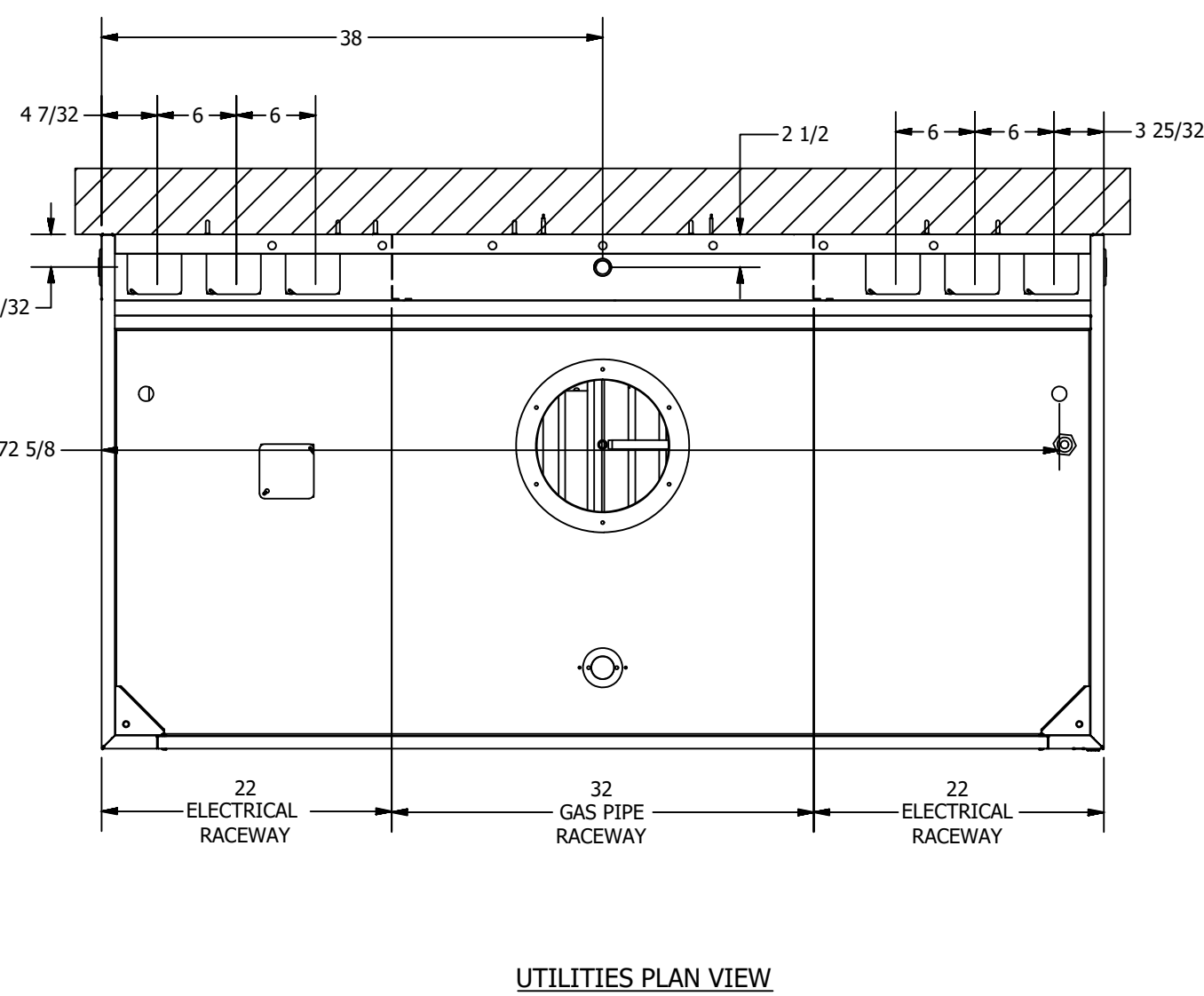
H&K International	DATE: 05/17/2016	SCALE: 1/8" = 1'-0"	TITLE: 6'-4" FRYER HOOD
Rev: A	DATE: 05/17/2016	SCALE: 1/8" = 1'-0"	TITLE: 6'-4" FRYER HOOD
4 OF 19	REV: REVISION	DATE: DATE	DATE: DATE



H&K International	DATE: 05/17/2016	SCALE: 1/8" = 1'-0"	TITLE: 6'-4" FRYER HOOD
Rev: A	DATE: 05/17/2016	SCALE: 1/8" = 1'-0"	TITLE: 6'-4" FRYER HOOD
5 OF 19	REV: REVISION	DATE: DATE	DATE: DATE

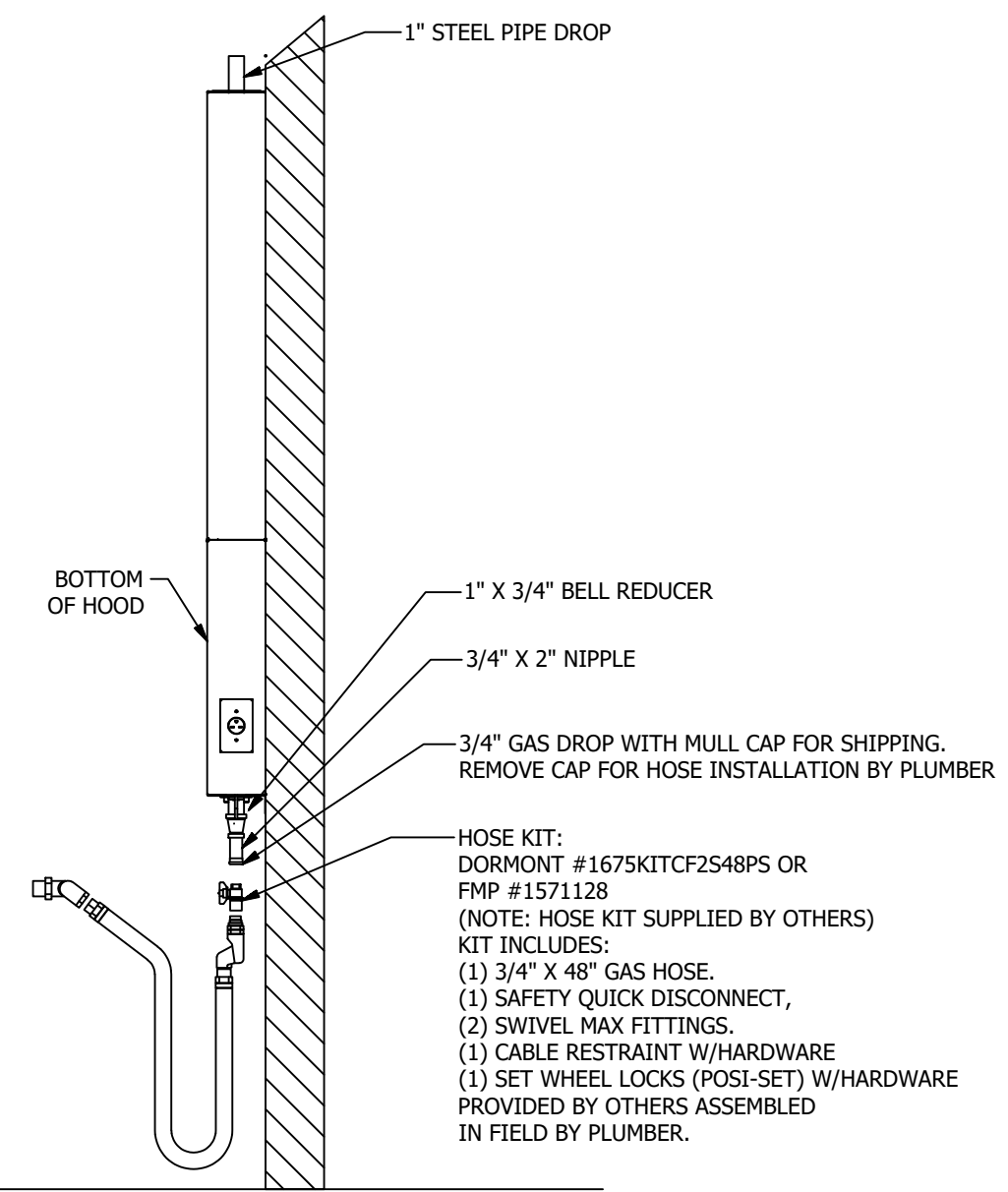


H&K International	DATE: 05/17/2016	SCALE: 1/8" = 1'-0"	TITLE: 6'-4" FRYER HOOD
Rev: A	DATE: 05/17/2016	SCALE: 1/8" = 1'-0"	TITLE: 6'-4" FRYER HOOD
6 OF 19	REV: REVISION	DATE: DATE	DATE: DATE



H&K International	DATE: 05/17/2016	SCALE: 1/8" = 1'-0"	TITLE: 6'-4" FRYER HOOD
Rev: A	DATE: 05/17/2016	SCALE: 1/8" = 1'-0"	TITLE: 6'-4" FRYER HOOD
7 OF 19	REV: REVISION	DATE: DATE	DATE: DATE

IMPORTANT NOTE:
 THIS DRAWING REPRESENTS THE BEST PRACTICE FOR INDIVIDUAL FRYERS. FOR A FRYER BATTERY, USE A SINGLE 1" HOSE KIT: DORMONT #16100KITCF2648PS OR FMP #1571129 (NOTE: HOSE KIT SUPPLIED BY OTHERS)



H&K International	DATE: 05/17/2016	SCALE: 1/8" = 1'-0"	TITLE: 6'-4" FRYER HOOD
Rev: A	DATE: 05/17/2016	SCALE: 1/8" = 1'-0"	TITLE: 6'-4" FRYER HOOD
8 OF 19	REV: REVISION	DATE: DATE	DATE: DATE

HVAC SYSTEM
N-C-A
 CONSULTANTS / GROUP
 NATIONAL CORPORATE ACCOUNT SERVICES, INC.
 DRAWINGS SHOWN ARE FOR PRELIMINARY CONSIDERATIONS ONLY. SITE-SPECIFIC DESIGN IS REQUIRED BY BURGER KING CORPORATION, AS A COURTESY. NCA CONSULTANTS PROVIDES SITE-SPECIFIC DESIGN WITH SITE-SPECIFIC PROFESSIONAL ENGINEER SEAL UNDER AN AGREEMENT BETWEEN NCA CONSULTANTS AND BURGER KING CORPORATION.
 FOR SITE-SPECIFIC DESIGN, ARCHITECTS EMAIL REFLECTED CEILING PLAN, ELEVATIONS, KITCHEN PLANS, FLOOR PLAN, SITE PLAN, EXTERIOR ELEVATIONS, AND HOOF STRUCTURAL PLAN TO DESIGN@NCACONSULTANTS.COM
 TO CONTACT THE NCA CONSULTANTS BY PHONE, CALL TOLL-FREE (877) 530-0078.

© Copyright 2022- Drawings, specifications, notes, database, computer files, field data, and reports as instruments of service prepared by the Design of Record. As instruments of services, these items remain the property of the Design of Record, who shall retain all statutory and other reserved rights, including the copyright thereto. Any use, reproduction or changes to these documents without written consent of NCA Consultants is a violation of federal copyright laws.

Issued:	Date:
A BKC Approval	10/29/2021
B Permit Set	1/28/2022
C Bid Set	4/25/2022
D	
E	
Revisions:	Date:
1	
2	
3	
4	
5	
6	
7	
8	
9	

Seal	Seal
PROJECT ARCHITECT/ENGINEER	DATE
PROJECT LEAD	DATE
PROJECT DESIGNER	DATE

Copyright © 2022
 APD Engineering & Architecture, LLC
 Drawing Alteration
 It is a violation of law for any person, unless acting under the direction of licensed Architect, Professional Engineer, Landscape Architect, or Land Surveyor to alter any item on this document in any way. Any licensee who alters this document is required by law to affix his or her seal and to add the notation "Altered By" followed by his or her signature and the specific description of the alteration or revision.
DO NOT SCALE PLANS
 Copying, Printing, Software and other processes required to produce these prints can stretch or shrink the actual paper or layout. Therefore, scaling of this drawing may be inaccurate. Contact APD E&A with any need for additional dimensions or clarifications.

APD
ENGINEERING
ARCHITECTURE
 615 Fishers Run Victor, NY 14564
 365.742.2222 - www.apd.com

Amplifier Restaurant Group
 c/o Quattro Business Support
 1850 Parkway Place
 Suite 1150
 Marietta, GA 30067

Burger King Inc.
 Store # 30011
 108 Egg Harbor Road
 Sewell, NJ 08080
 Gloucester County
 Project Name & Location:

FRYER
HOOD DRAWINGS
 Drawing Name:

Date: 11/8/2021	Project No. 21-0458
Type: BK ROC-60	
Drawn By: SR	M-6
Scale: As Noted	Drawing No.