

| | | | |
|-------------------|-----------------------|-----------------|---------------------|
| H&K International | | DATE: 5/23/2016 | TITLE: 7-7\"/> |
| REV: A | DESCRIPTION: 9\"/> | | |
| REV: A | REVISION: 20171223 CC | DATE: 7/18/2017 | SCALE: M-52415-1-EM |

Contact Information for the Job Site Contractor

Overview
Typically the package provided by HK International includes the following:
1. One Hood
2. One Metal Fab UL listed grease exhaust duct system
3. One Loren Cook exhaust fan
4. One Amerex fire system, to serve both Broiler & Fryer Hoods.

Manufactured by:
H&K International
2200 Skyline Dr.
Mesquite, TX 75149
U.S.A.
Telephone: (214) 818-3500
(214) 818-3596

Distributed by:
H&K International
2200 Skyline Dr.
Mesquite, TX 75149
U.S.A.
Telephone: (214) 818-3500
(214) 818-3596

Part Ordering and Service Returns:
Contact: H&K International
2200 Skyline Dr.
Mesquite, TX 75149
U.S.A.
Telephone: (214) 818-3500
(214) 818-3596

Damages and Shortages:
Upon receipt, examine the equipment carefully for any damage. If damage has occurred, notify the carrier and H&K Dallas Inc. immediately.

Service and parts:
Contact: H&K International
2200 Skyline Dr.
Mesquite, TX 75149
U.S.A.
Telephone: (214) 818-3500
(214) 818-3596

Contact Information
Sales Support:
Heather Valverde
Telephone: (214) 818-3521
E-mail: heather.valverde@hki.com
Engineering Support:
Bryan Tonn
Telephone: (214) 818-3580
E-mail: bryan.tonn@hki.com
Allen Barton
Telephone: (214) 818-3625
E-mail: allen.barton@hki.com

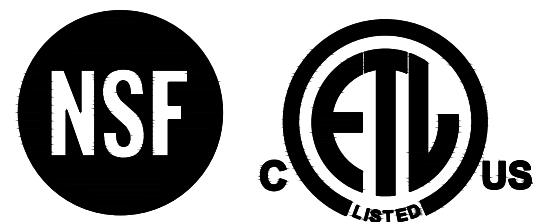
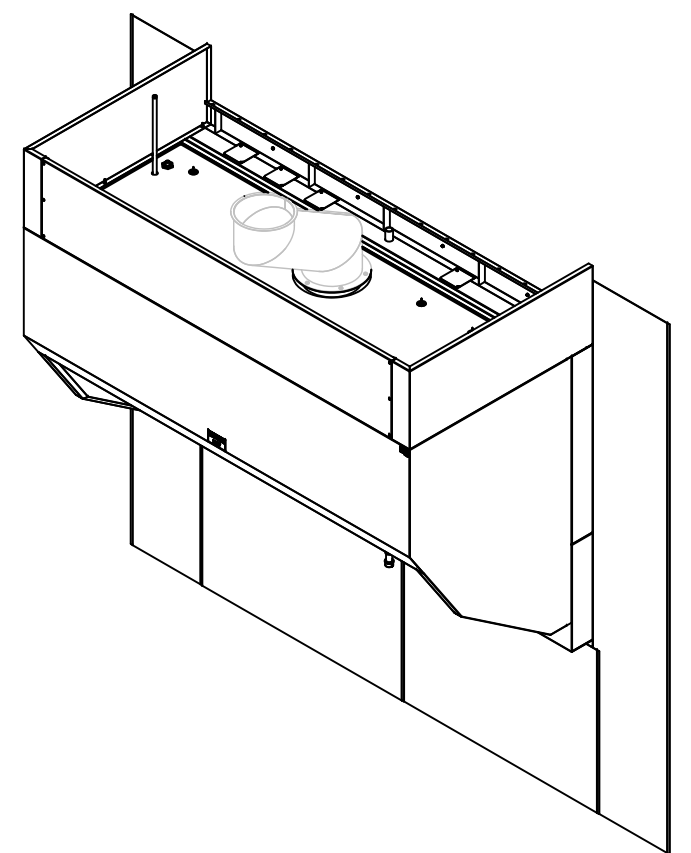
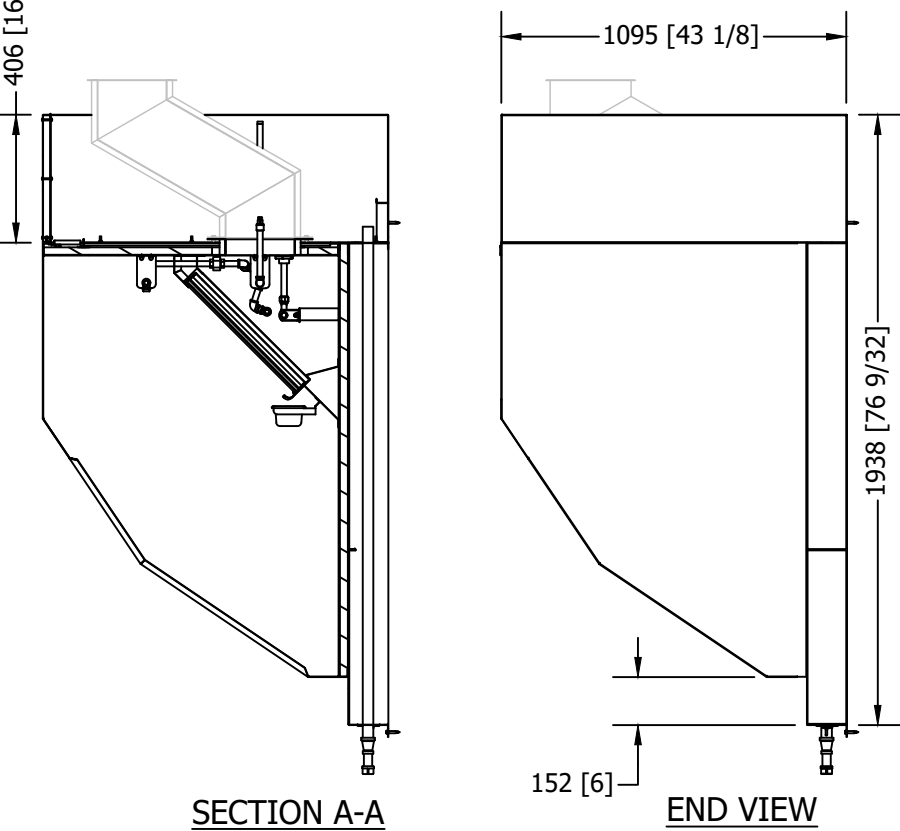
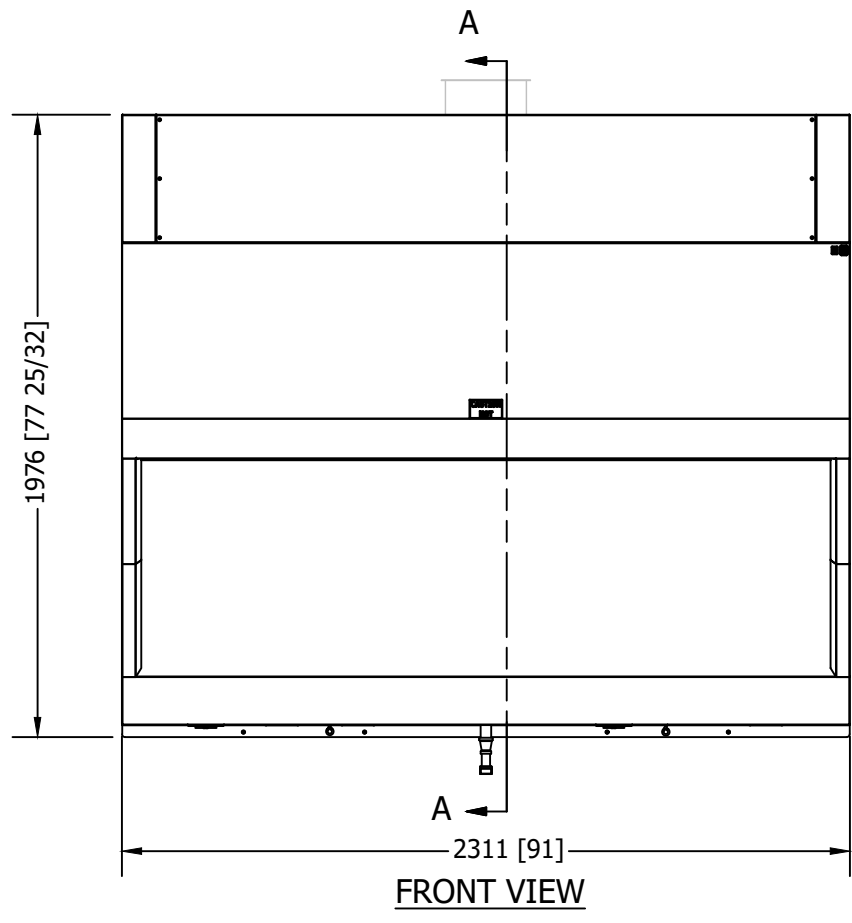
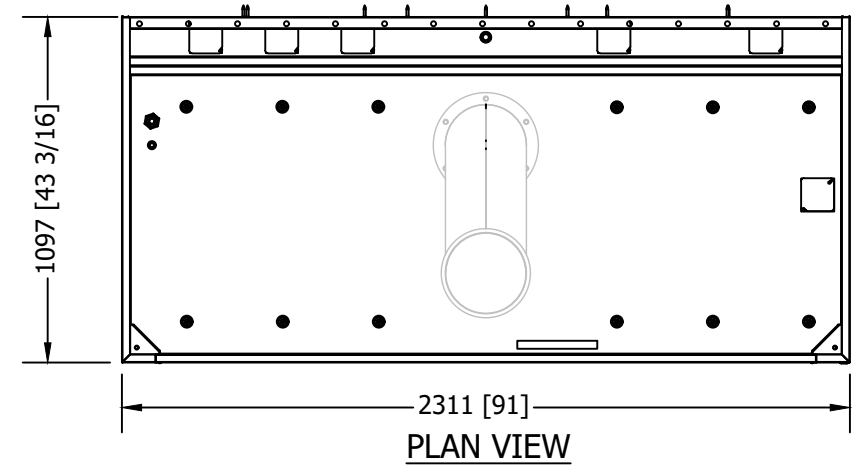
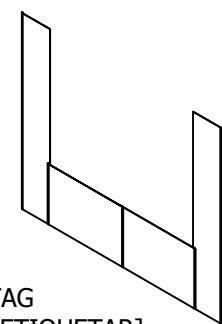
Metal-Fab Duct Installation Questions:
Metal-Fab Inc., Wichita, Kansas
1. Customer Service, Commercial Vent Products: 800-835-2830

Loren Cook Fan Installation Questions:
Loren Cook Company, Springfield, Missouri:
1. David Ray Office Phone: 417-869-6474

Amerex Fire System Installation:
The hood has been factory prepped for an Amerex fire suppression system. As an option, a complete installation of the fire system can be purchased from H&K. This includes all plans, permits, check out and certification. The local Amerex distributor will bring all system components at the time of installation.

Important Note: The local Amerex distributor will make contact with the general contractor to set up the installation schedule. If you have not heard from the distributor contact:
Amerex Corporation, Trussville, Alabama
1. Karen Mann Office Phone: 205-655-5730

| | | | |
|-------------------|-----------------------|-----------------|---------------------|
| H&K International | | DATE: 5/23/2016 | TITLE: 7-7\"/> |
| REV: A | DESCRIPTION: 18\"/> | | |
| REV: A | REVISION: 20171223 CC | DATE: 7/18/2017 | SCALE: M-52415-1-EM |



| REV | DESCRIPTION | Rev Date | ENG |
|-----|--|------------|-----|
| H | Sub-assembly 52415-VE.07A, 52415-VE.06A, 52415-VE.05A, 52415-VE.04A, 52415-VE.03A, 52415-VE.02A and 52415.16A were updated and removal note was added. | 8/31/2021 | MPB |
| G | G-E12151 label was added | 2/08/2021 | HAA |
| F | Manual was updated | 06/07/2021 | HAA |

| | | | | | |
|---|------------------------|--|------------------------|--|-----------|
| DATE: 5/30/2016 | MATERIAL: H | REV: H | REVISION: 20213219 MPB | DATE: 8/30/2021 | CUSTOMER: |
| DRAWN: igonzalez | WIDTH: N/A | SCALE: N/A | GRAIN LENGTH: N/A | UNLESS OTHERWISE SPECIFIED: TOLERANCES: ± 1/16\"/> | |
| COMMENTS: | THIRD ANGLE PROJECTION | | UNIT: mm [in] | ITEM NO: 52415-1-ANS | |
| THESE DRAWINGS AND SPECIFICATION ARE THE PROPERTY OF H&K AND SHALL NOT BE REPRODUCED OR COPIED OR TRANSFERRED TO A THIRD PARTY WITHOUT THE WRITTEN PERMISSION OF H&K. | | | | | |
| SIZE: B | SHEET: 1 OF 5 | TITLE: 7 ft 7 in BROILER/ OVEN HOOD ROC STORES | | | |

HVAC SYSTEM

N-C-A

CONSULTANTS / GROUP

NATIONAL CORPORATE ACCOUNT SERVICES, INC.

DRAWINGS SHOWN ARE FOR PROTOTYPICAL CONSIDERATIONS ONLY. SITE-SPECIFIC DESIGN IS REQUIRED BY BURGER KING CORPORATION. AS A COURTESY, NCA CONSULTANTS PROVIDES SITE-SPECIFIC DESIGN WITH SITE-SPECIFIC PROFESSIONAL ENGINEER SEAL UNDER AN AGREEMENT BETWEEN NCA CONSULTANTS AND BURGER KING CORPORATION.

FOR SITE-SPECIFIC DESIGN, ARCHITECTS EMAIL REFLECTED CEILING PLAN, ELEVATIONS, KITCHEN PLANS, FLOOR PLAN, SITE PLAN, EXTERIOR ELEVATIONS, AND ROOF STRUCTURAL PLAN TO DESIGN@NCACONSULTANTS.COM

TO CONTACT THE NCA CONSULTANTS BY PHONE, CALL TOLL-FREE (877) 530-0078.

DATE: 10-12-18
DESCRIPTION: 18\"/>

© Copyright 2022- Drawings, specifications, notes, database, computer files, field data, and reports as instruments of service prepared by the Design of Record. As instruments of services, these items remain the property of the Design of Record, who shall retain all statutory and other reserved rights, including the copyright thereto. Any use, reproduction or changes to these documents without written consent of NCA Consultants is a violation of federal copyright laws.

| | |
|----------------|------------|
| Issued: | Date: |
| A BKC Approval | 10/29/2021 |
| B Permit Set | 1/28/2022 |
| C Bid Set | 4/25/2022 |
| D | |
| E | |
| Revisions: | Date: |
| 1 | |
| 2 | |
| 3 | |
| 4 | |
| 5 | |
| 6 | |
| 7 | |
| 8 | |
| 9 | |

| | | |
|----------------------------|------|------|
| Seal | Seal | DATE |
| PROJECT ARCHITECT/ENGINEER | | |
| PROJECT LEAD | | DATE |
| PROJECT DESIGNER | | DATE |

Copyright ©2022
APD Engineering & Architecture, LLC

Drawing Alteration
It is a violation of law for any person, unless acting under the direction of licensed Architect, Professional Engineer, Landscape Architect, or Land Surveyor to alter any item on this document in any way. Any licensee who alters this document is required by law to affix his or her seal and to add the notation "Altered By" followed by his or her signature and the specific description of the alteration or revision.

DO NOT SCALE PLANS
Copying, Printing, Software and other processes required to produce these prints can stretch or shrink the actual paper or layout. Therefore, scaling of this drawing may be inaccurate. Contact APD E&A with any need for additional dimensions or clarifications.

APD

ENGINEERING
ARCHITECTURE

615 Fishers Run Victor, NY 14564
585.742.2222 - www.apd.com

Ampler Restaurant Group
c/o Quattro Business Support
Services
1850 Parkway Place
Suite 1150
Marietta, GA 30067

Burger King Inc.
Store # 30011
108 Egg Harbor Road
Sewell, NJ 08080
Gloucester County
Project Name & Location:

**BROILER- OVEN
HOOD DRAWINGS**
Drawing Name:

| | |
|-----------------|-------------|
| Date: 11/8/2021 | Project No. |
| Type: BK ROC-60 | 21-0458 |
| Drawn By: SR | M-5 |
| Scale: As Noted | Drawing No. |