

Issued:	Date:
A BKC Approval	10/29/2021
B Permit Set	1/28/2022
C Bid Set	4/25/2022
D	
E	
Revisions:	Date:
1	
2	
3	
4	
5	
6	
7	
8	
9	

Seal	Seal
PROJECT ARCHITECT/ENGINEER	DATE
PROJECT LEAD	DATE
PROJECT DESIGNER	DATE

Copyright © 2022
APD Engineering & Architecture, LLC

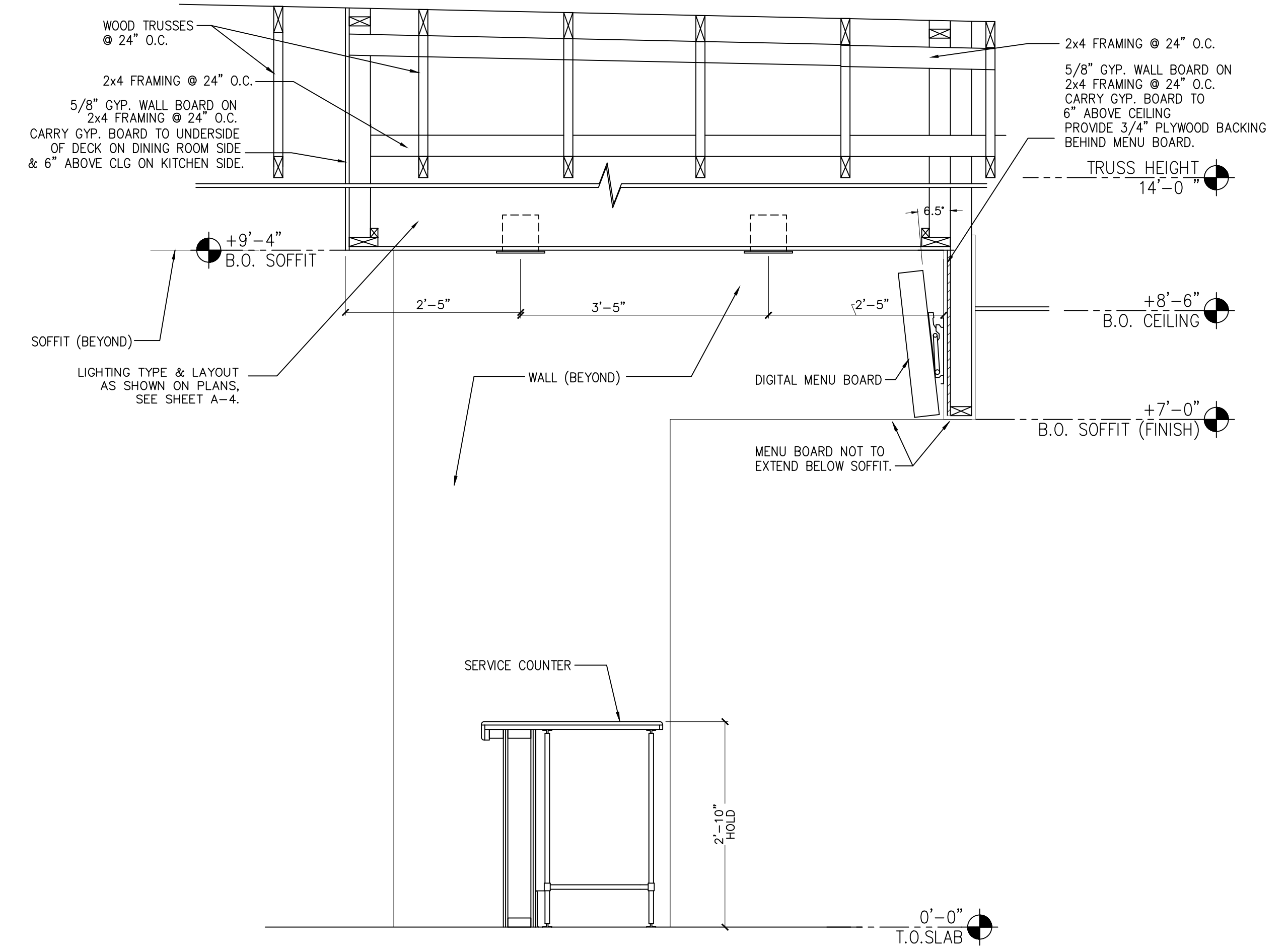
Drawing Alteration
It is a violation of law for any person, unless acting under the direction of a licensed Architect, Professional Engineer, Landscape Architect, or Land Surveyor to alter any item on this document in any way. Any licensee who alters this document is required by law to affix his or her seal and to add the notation "Altered By" followed by his or her signature and the specific description of the alteration or revision.

[DO NOT SCALE PLANS]
Copying, Printing, Software and other processes required to produce these prints can stretch or shrink the actual paper or layout. Therefore, scaling of this drawing may be inaccurate. Contact APD E&A with any need for additional dimensions or clarifications.

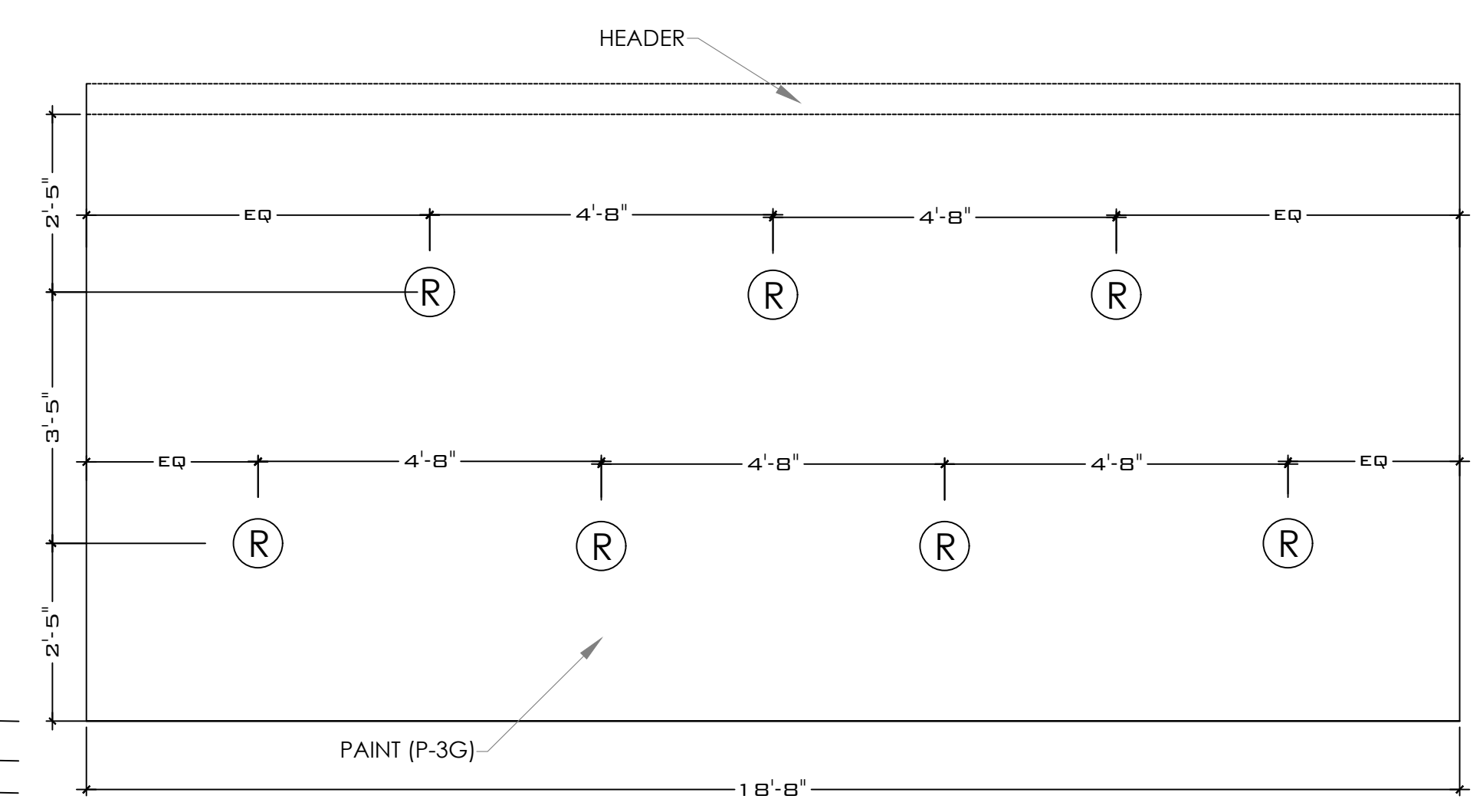


Burger King Inc.
Store # 30011
108 Egg Harbor Road
Sewell, NJ 08080
Gloucester County
Project Name & Location:

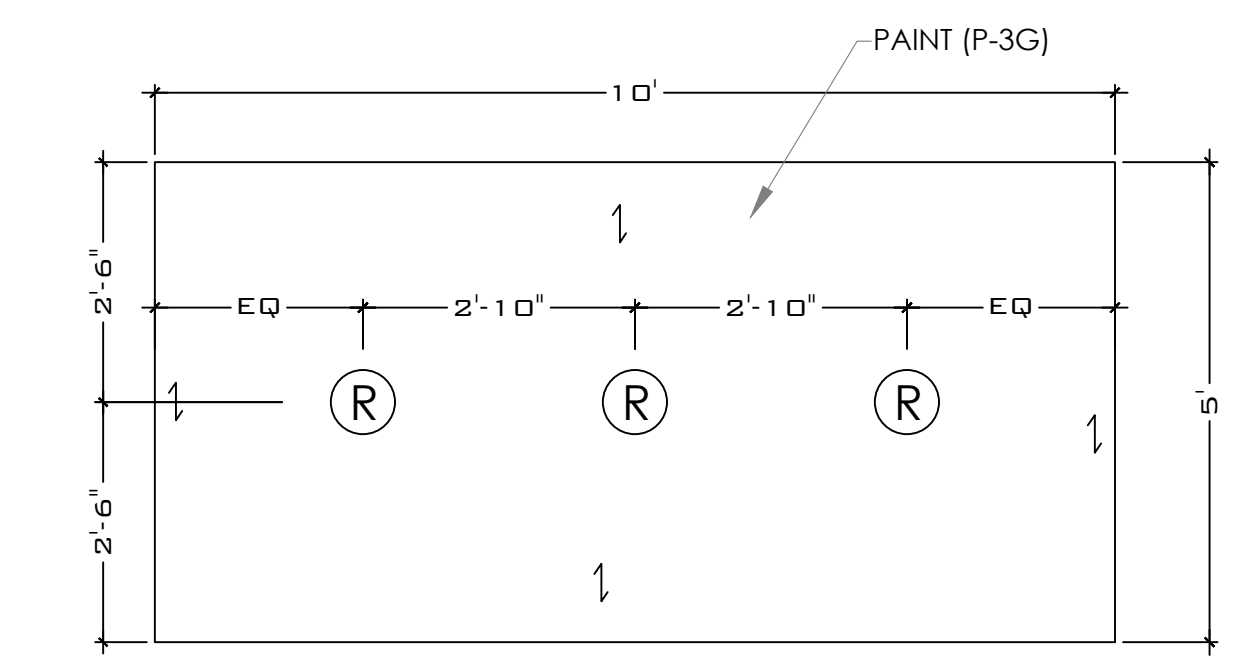
Reflected Ceiling Details	
Drawing Name:	
Date: 11/8/2021	Project No. 21-0458
Type: BK ROC-60	
Drawn By: MGV	A-4.1
Scale: As Noted	Drawing No.



7 MENU BOARD HEADER & FRONT SERVICE COUNTER SOFFIT DETAIL
SCALE: 3/4"=1'-0"

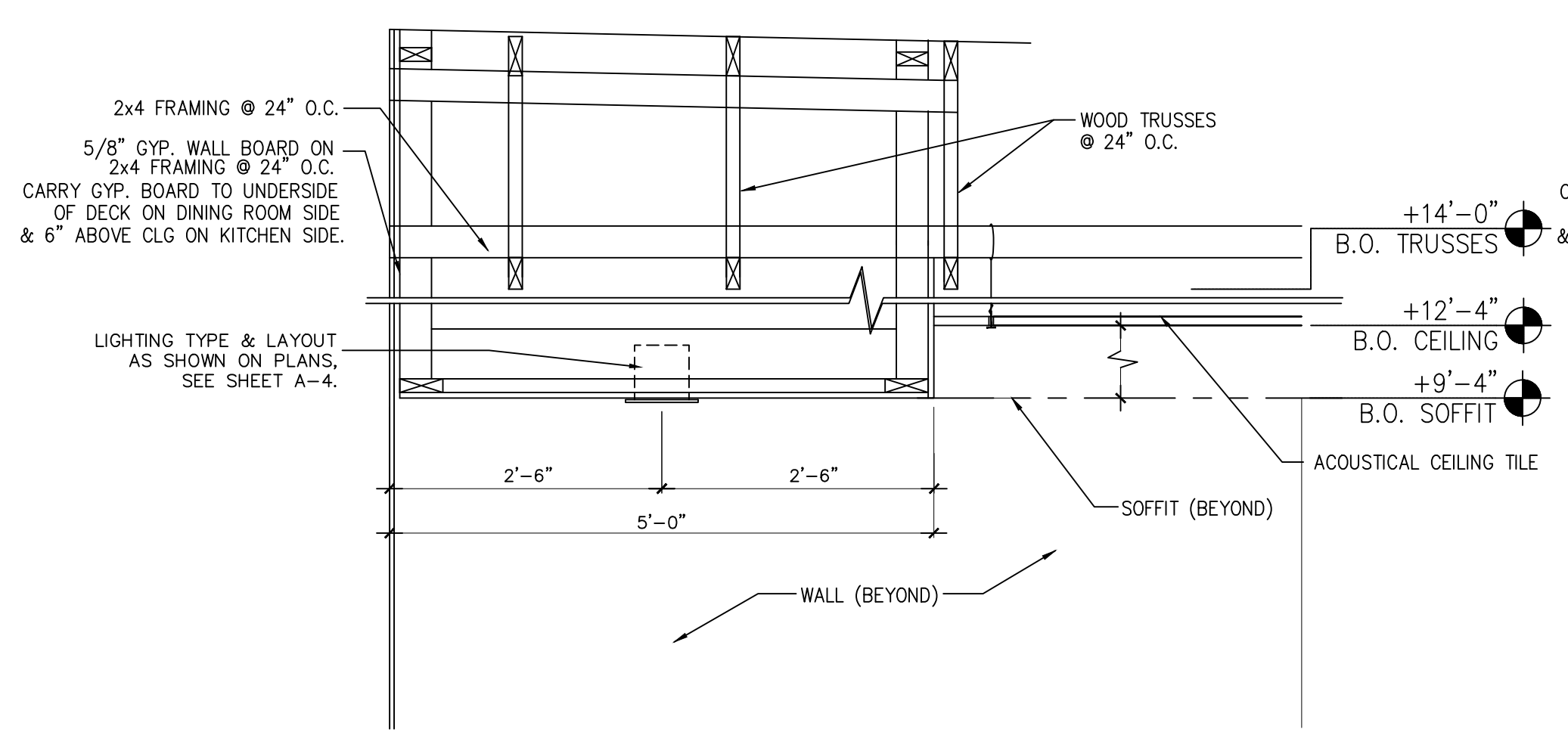


8 FRONT SERVICE COUNTER SOFFIT DETAIL
SCALE: 1/2"=1'-0"

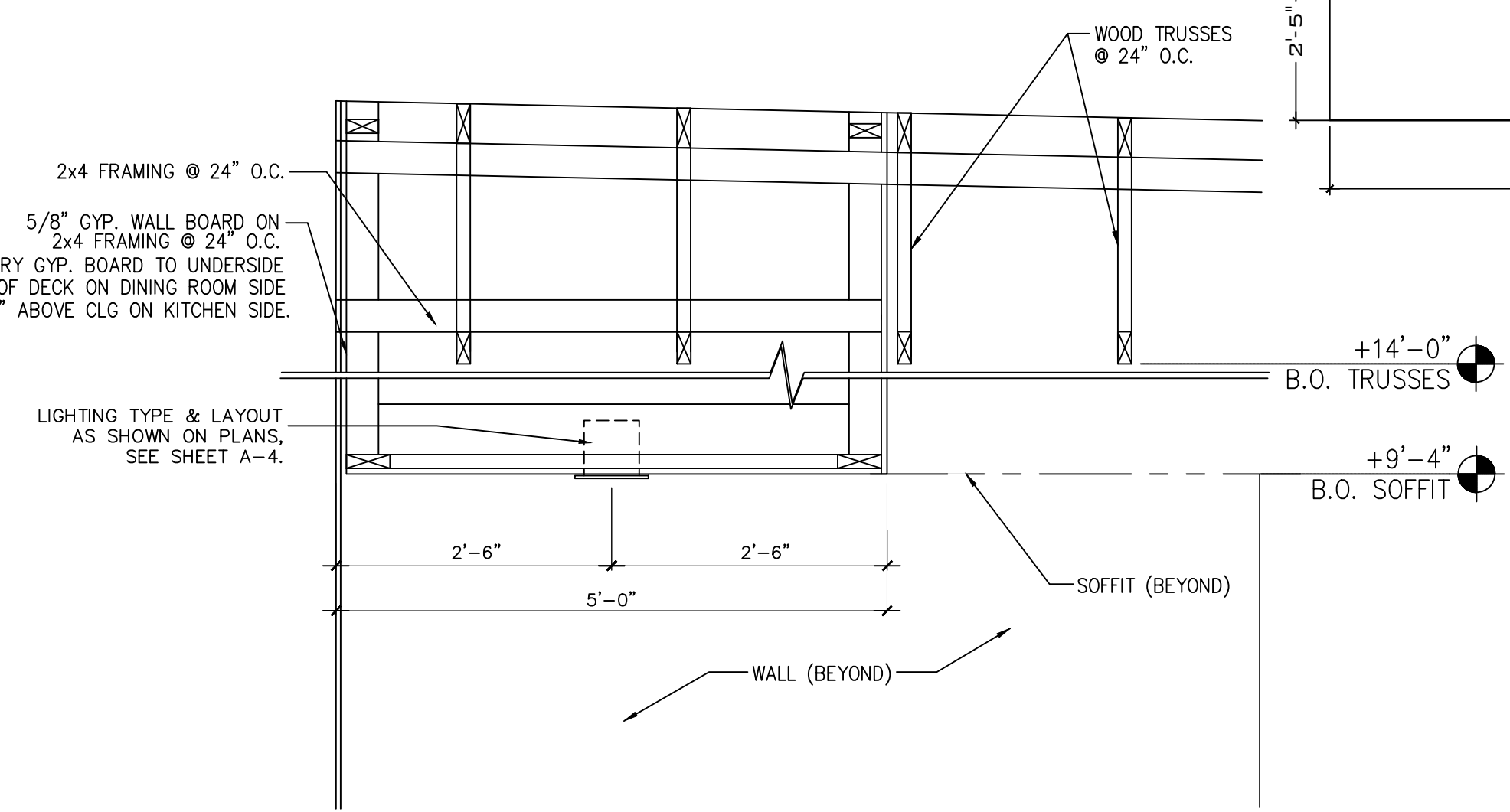


9 BEVERAGE STATION SOFFIT DETAIL
SCALE: 1/2"=1'-0"

ARCHITECT TO COORDINATE ACCORDING TO ACT REQUIREMENTS
-THE USE OF ACT IS APPROVED FOR NEW CONSTRUCTION BUILDINGS AT A MINIMUM HEIGHT OF 12'-4" A.F.F. OR 36" ABOVE BOTTOM OF TRELLIS



10 BEVERAGE STATION SOFFIT DETAIL
SCALE: 3/4"=1'-0"
SUSPENDED ACOUSTICAL CEILING CONDITION.



11 BEVERAGE STATION SOFFIT DETAIL
SCALE: 3/4"=1'-0"
EXPOSED TRUSSES CONDITION

PLOTTED: 4/25/2022 11:03 AM