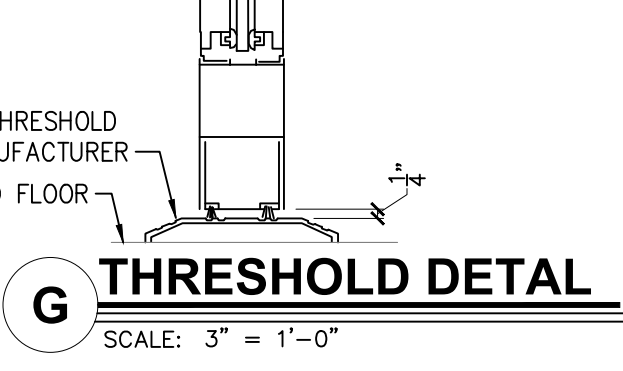
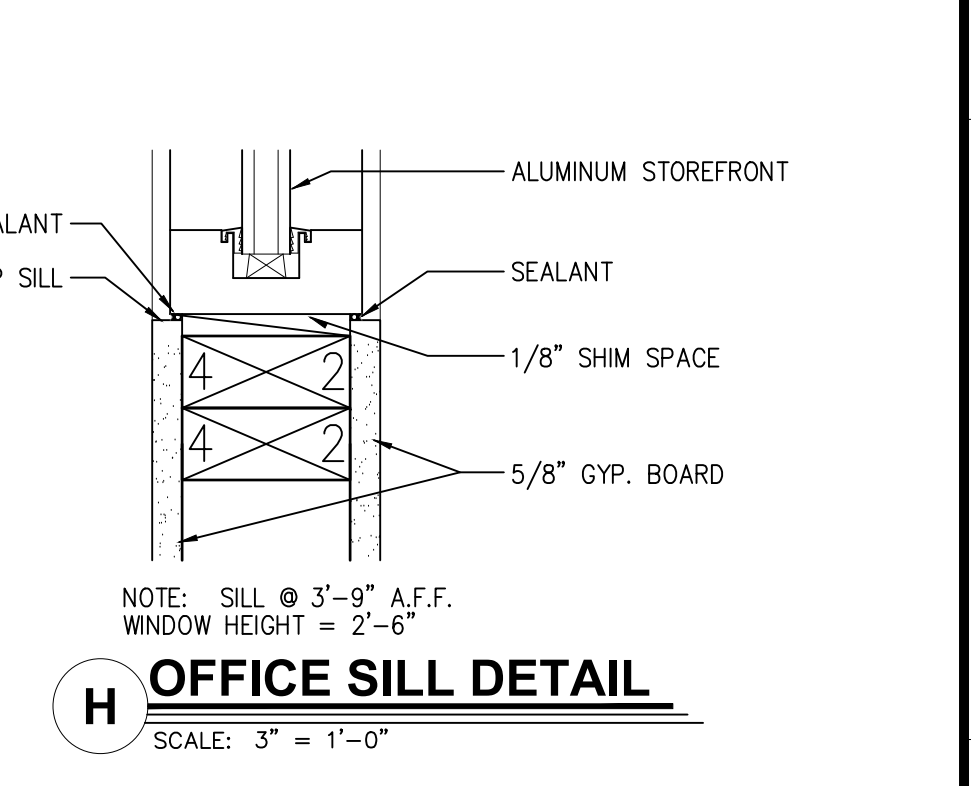
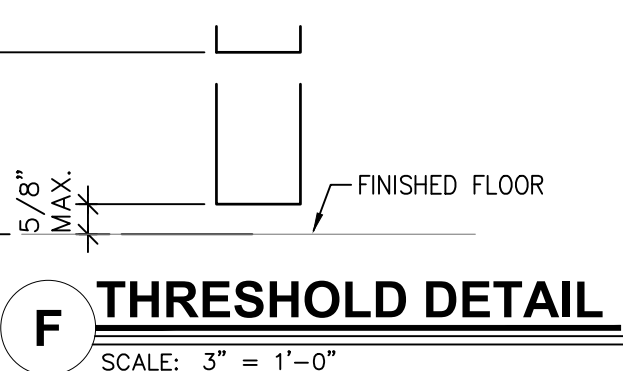
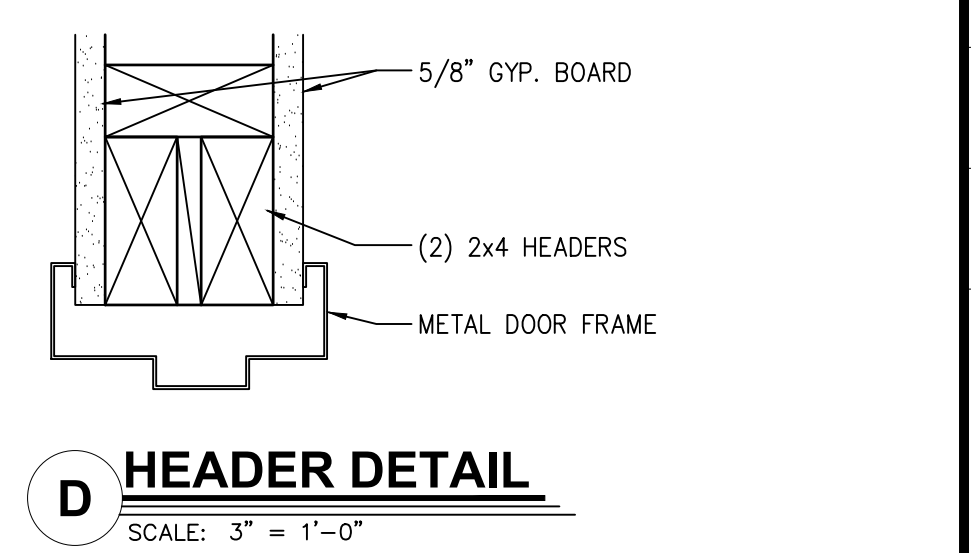
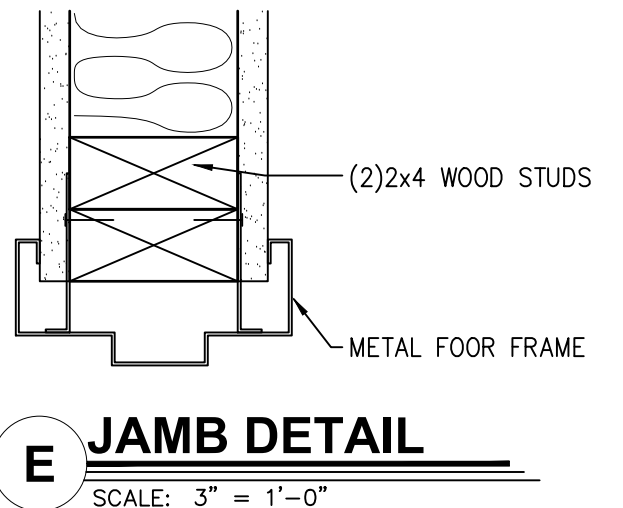
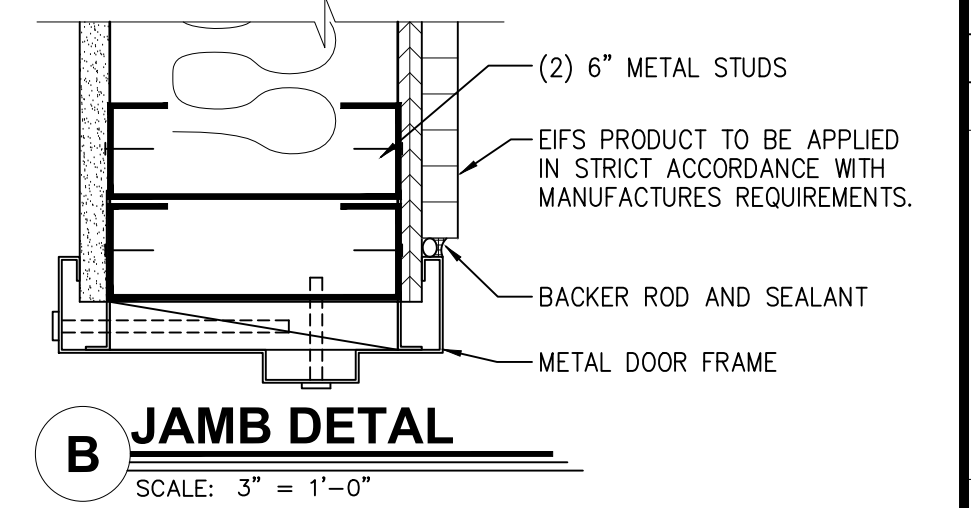
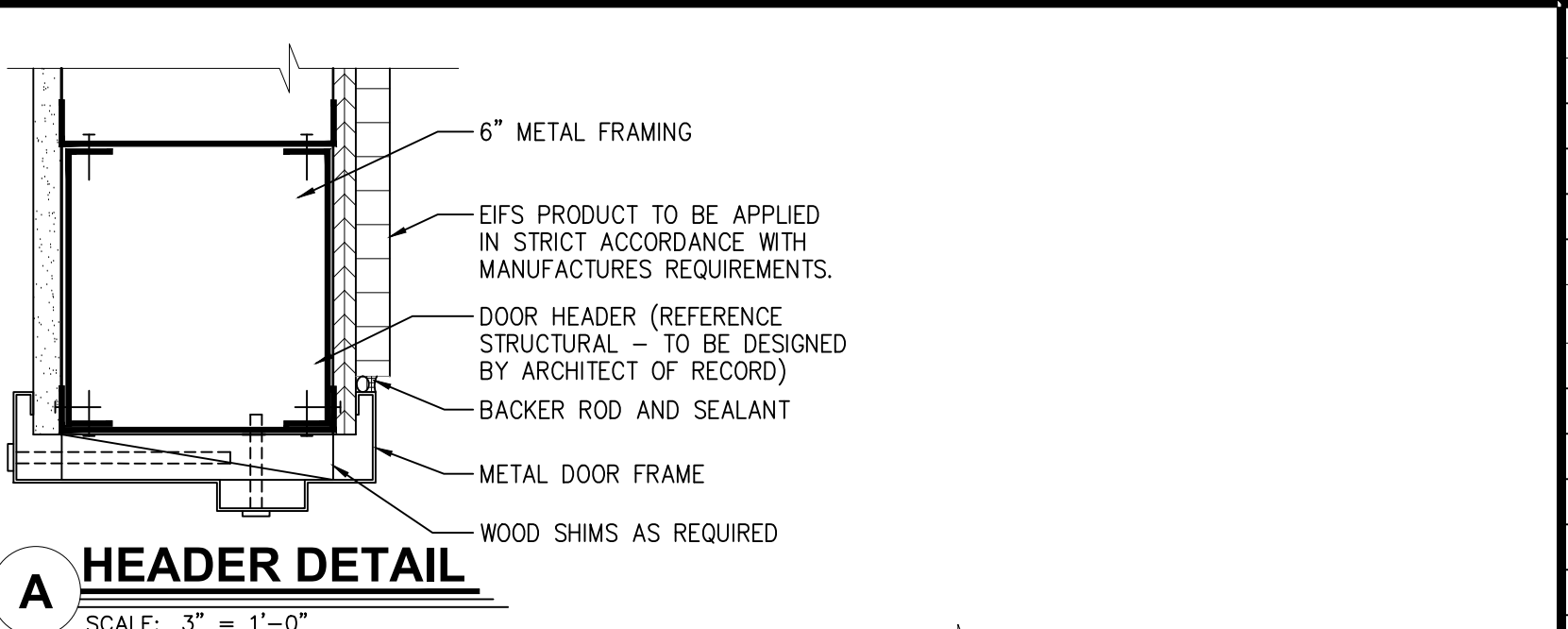
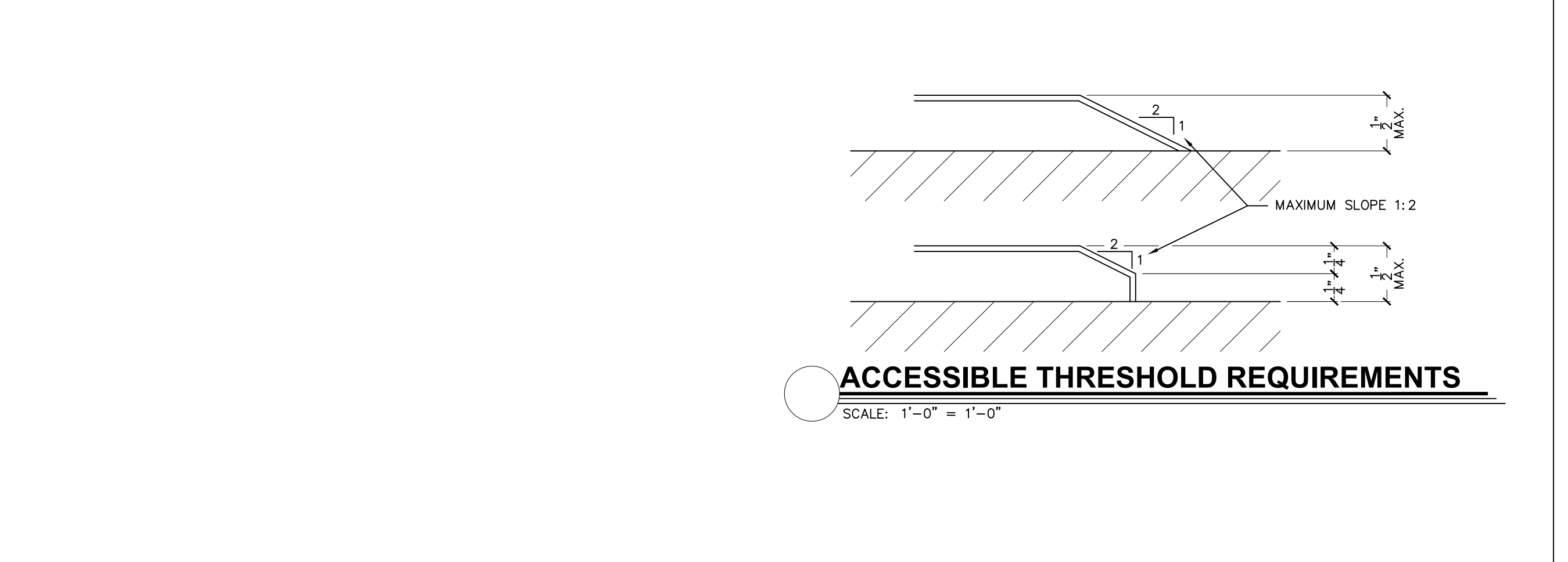
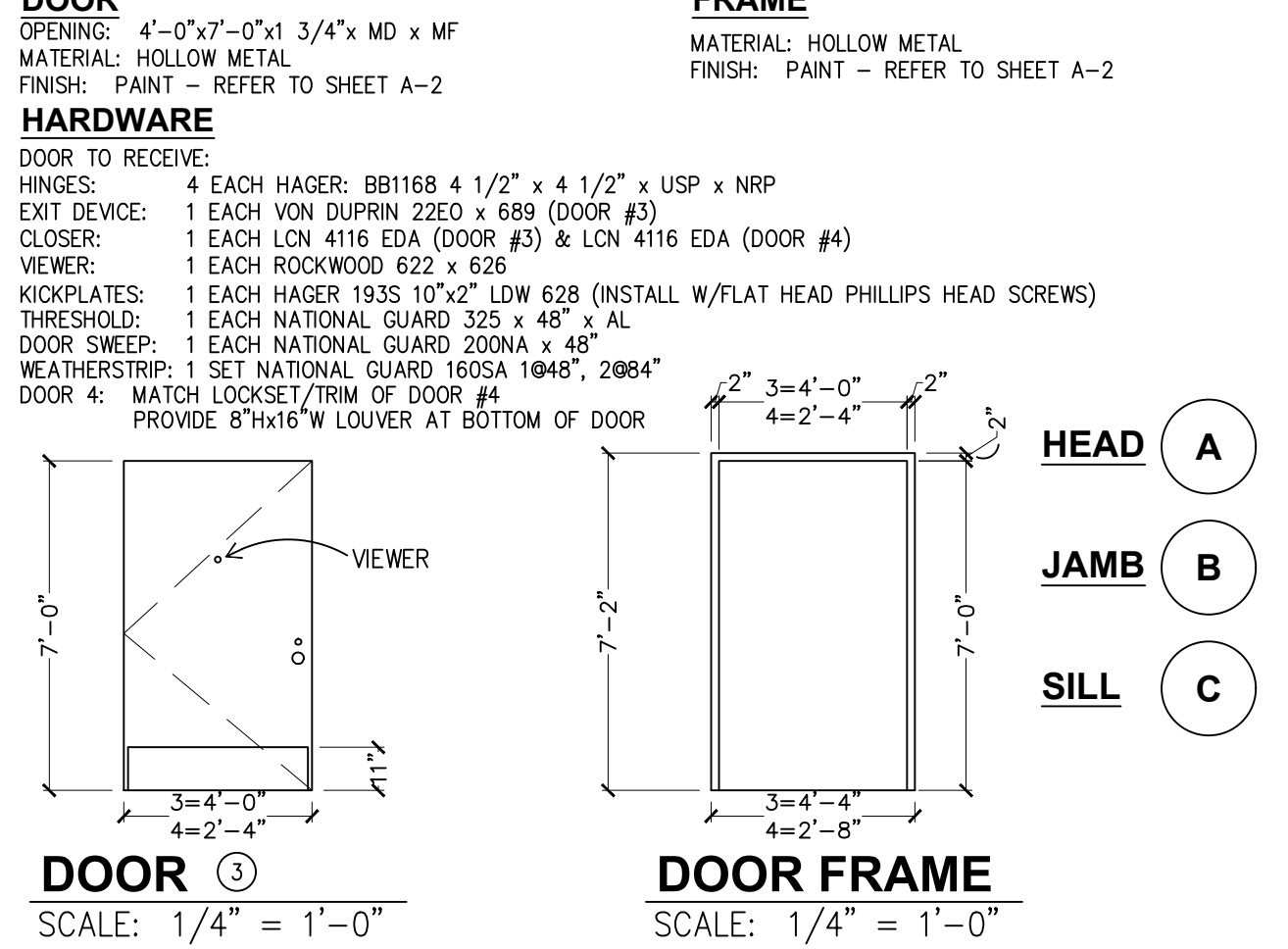
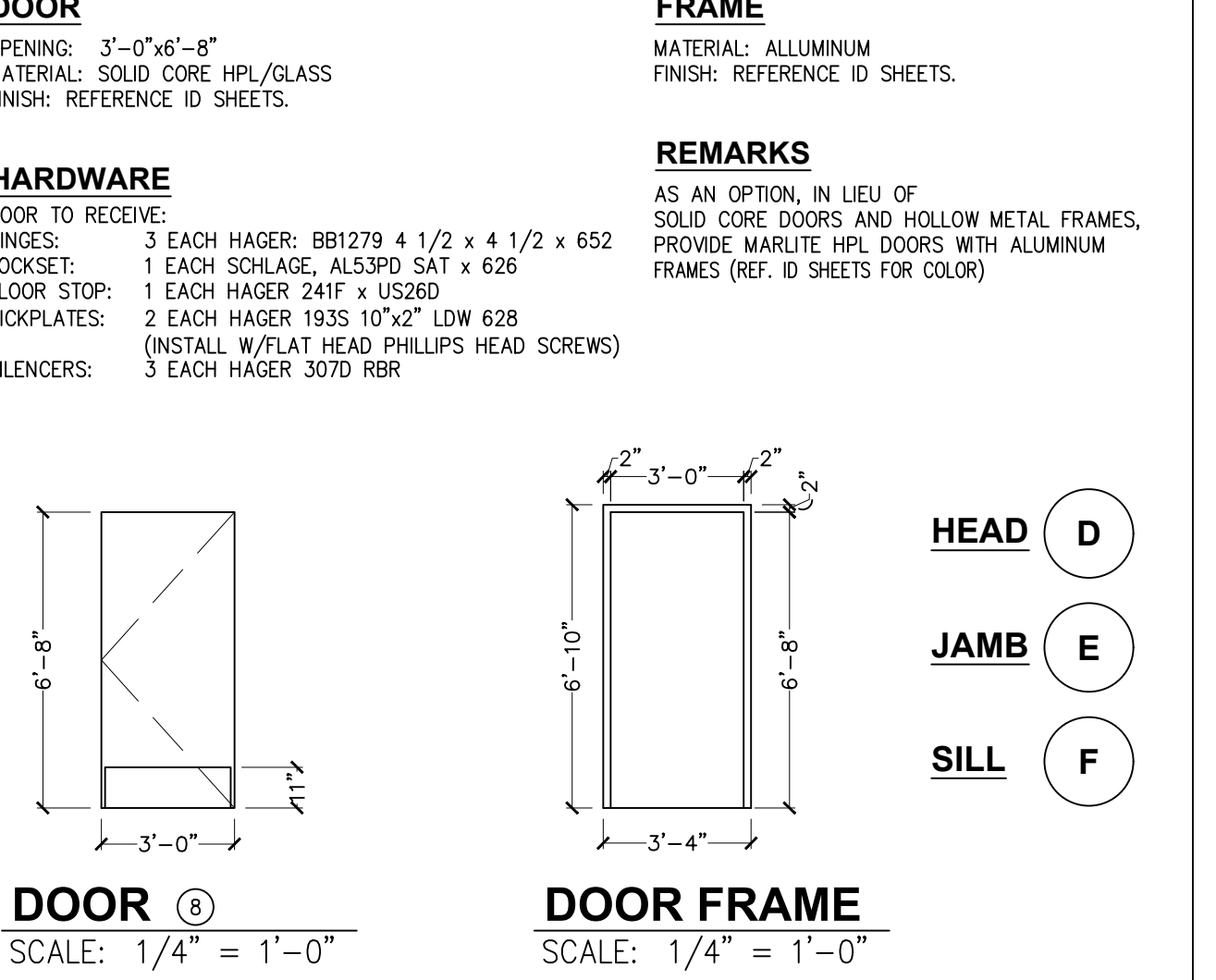
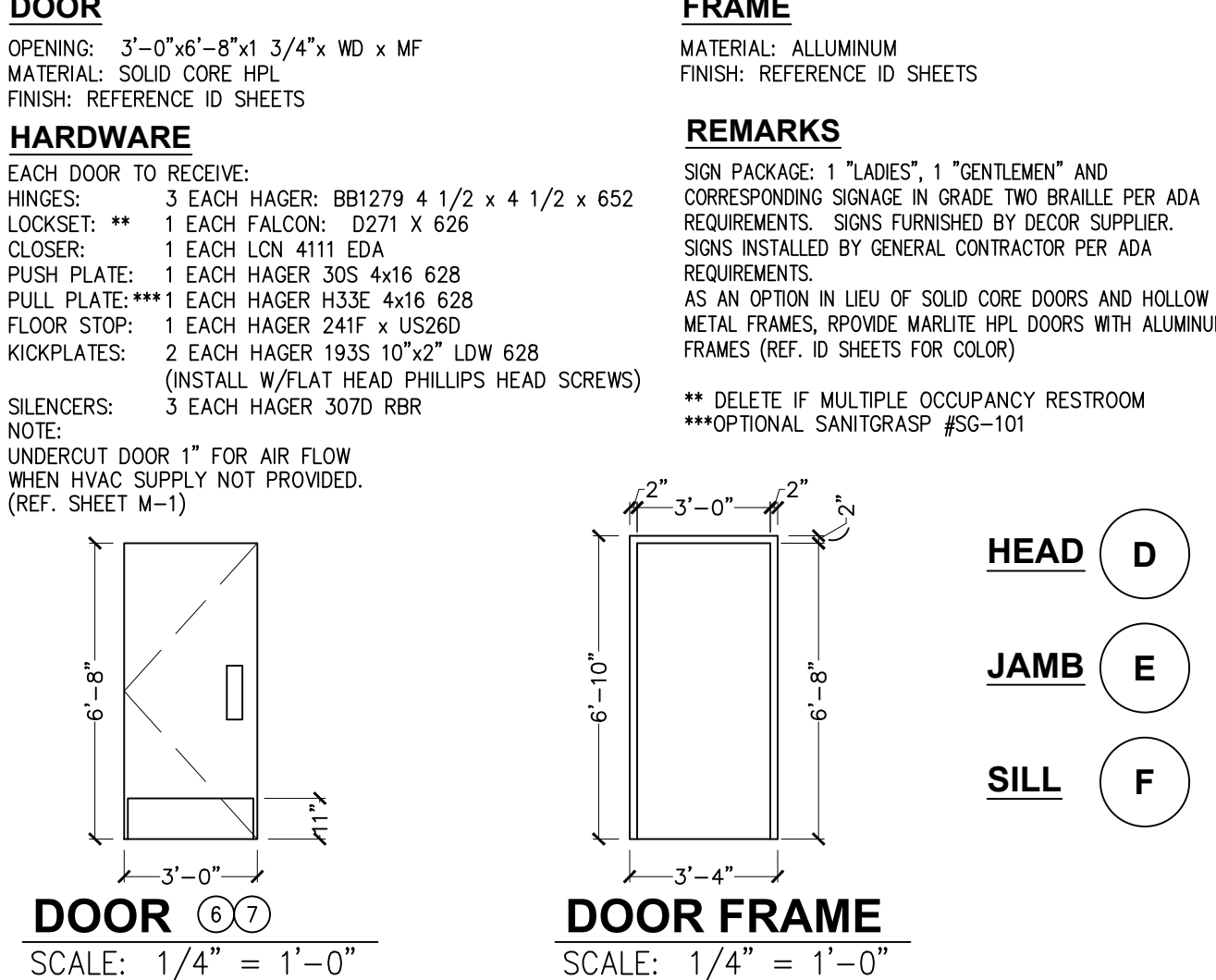
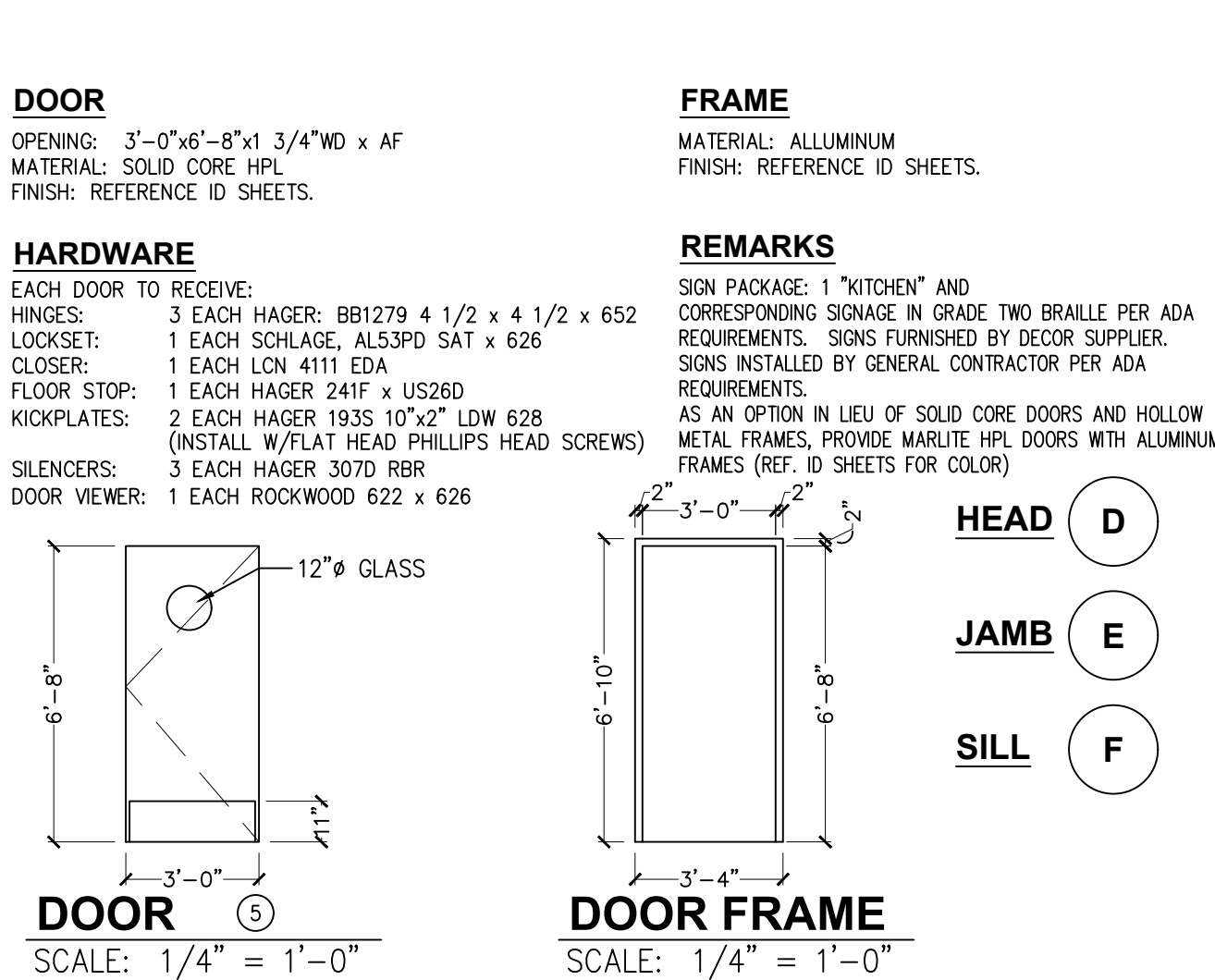
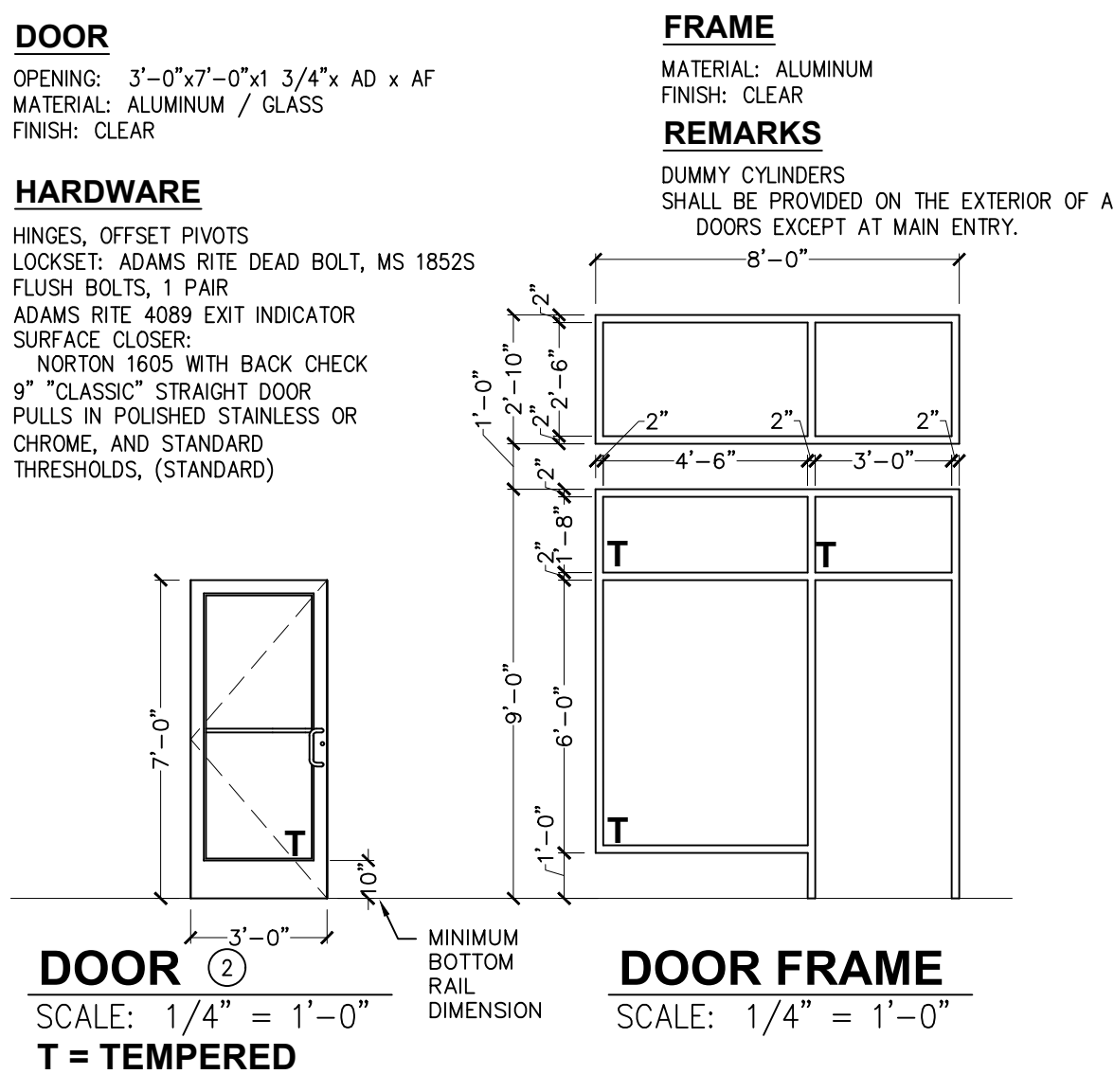
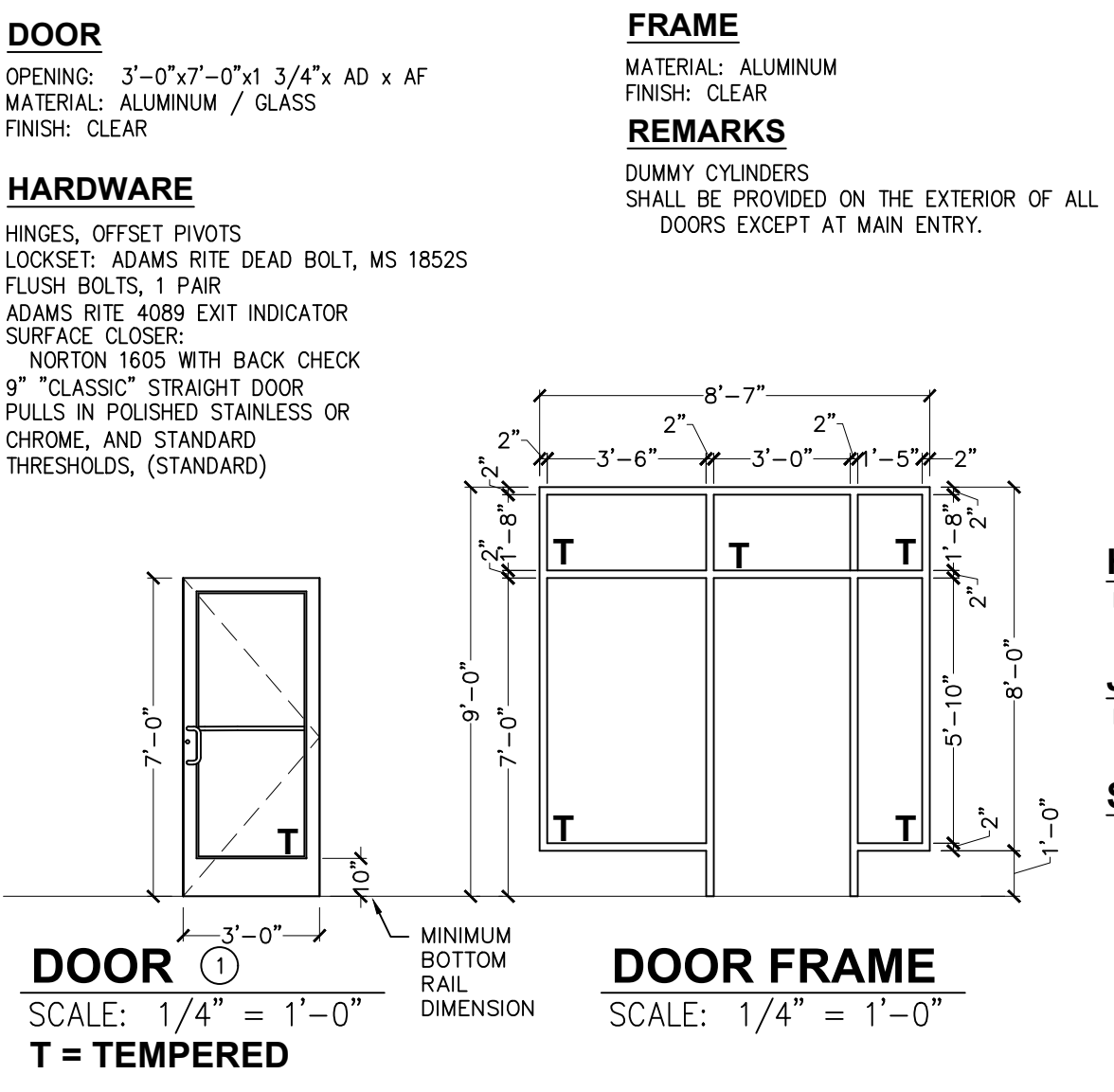


WINDOW 1
SCALE: 1/4" = 1'-0"

WINDOW 2
SCALE: 1/4" = 1'-0"

WINDOW 3
SCALE: 1/4" = 1'-0"



Specified Products and Approved Equals

Hinges - Provide features, functions, size and finish as shown in hardware sets.

HAGER	BB1279	BB1168	253
MCKINNEY	TA2714	TA43766	
BOMMER	BB5000	BB5004	

Locks - Provide features, functions and finish as shown in hardware sets.

FALCON - DEADLOCK	D871		NO SUBSTITUTIONS
SCHLAGE	ALS3PD	AL405	
YALE	AUS307LN	AUS302LN	
FALCON	B511D	B301D	

Exit Device - Provide features, functions and finish as shown in hardware sets.

VON DUPRIN	22 EO		
YALE	2100 EO		
SARGENT	3828 EO		

Closers - Provide features, functions and finish as shown in hardware sets.

LCN	1461	4115 H-CUSH	
YALE	3301	4425T/4421T	
DORMA	861G	891G DST/895G DST	

Push/Pull, KP, Stops, Etc. - Provide features, functions, size and finish as shown in hardware sets.

HAGER	KICKPLT 193S	PULL FLT H33E	PUSH FLT 305	FL STOP 241F	WALL STOP 236W	VIEWER 175G
ROCKWOOD	K1050 B3E	BF106 X 70C	70C	441CU	409	622
TRIMCO	KOOS0	1017-3x2 1/2 PRD.	1001-3	1211	1270WV	976U

Weatherstripping, Thresholds, Etc. - provide features, functions, size and finish as shown in hardware sets.

NATIONAL GUARD	THRESHOLD 325A	SWEEP 200NA	WEATHERSTRIP 160SA
PEMCO	229A	315CN	303AS
ZERO	1675A	39A	99A

Issued: _____ Date: _____

A	BKC Approval	10/29/2021
B	Permit Set	1/28/2022
C	Bid Set	4/25/2022
D		
E		

Revisions: _____ Date: _____

1		
2		
3		
4		
5		
6		
7		
8		
9		

Seal _____ Seal _____
PROJECT ARCHITECT/ENGINEER DATE _____

PROJECT LEAD DATE _____

PROJECT DESIGNER DATE _____

Copyright © 2022
APD Engineering & Architecture, LLC
Drawing Alteration
It is a violation of law for any person, unless acting under the direction of licensed Architect, Professional Engineer, Landscape Architect, or Land Surveyor to alter any item on this document in any way. Any licensee who alters this document is required by law to affix his or her seal and to add the notation "Altered By" followed by his or her signature and the specific description of the alteration or revision.
[DO NOT SCALE PLANS]
Copying, Printing, Software and other processes required to produce these prints can stretch or shrink the actual paper or layout. Therefore, scaling of this drawing may be inaccurate. Contact APD E&A with any need for additional dimensions or clarifications.

APD ENGINEERING ARCHITECTURE
615 Fishers Run Victor, NY 14564
585.742.2222 - www.apd.com

Ampler Restaurant Group
c/o Quattro Business Support Services
1850 Parkway Place
Suite 1150
Marietta, GA 30067

Burger King Inc.
Store # 30011
108 Egg Harbor Road
Sewell, NJ 08080
Gloucester County
Project Name & Location:

Door Schedule & Details
Drawing Name: _____
Date: 11/8/2021
Type: BK ROC-60
Drawn By: ICP
Scale: As Noted

Project No. 21-0458
A-10
Drawing No. _____