



Burger King
Sewell, NJ
December 3, 2021

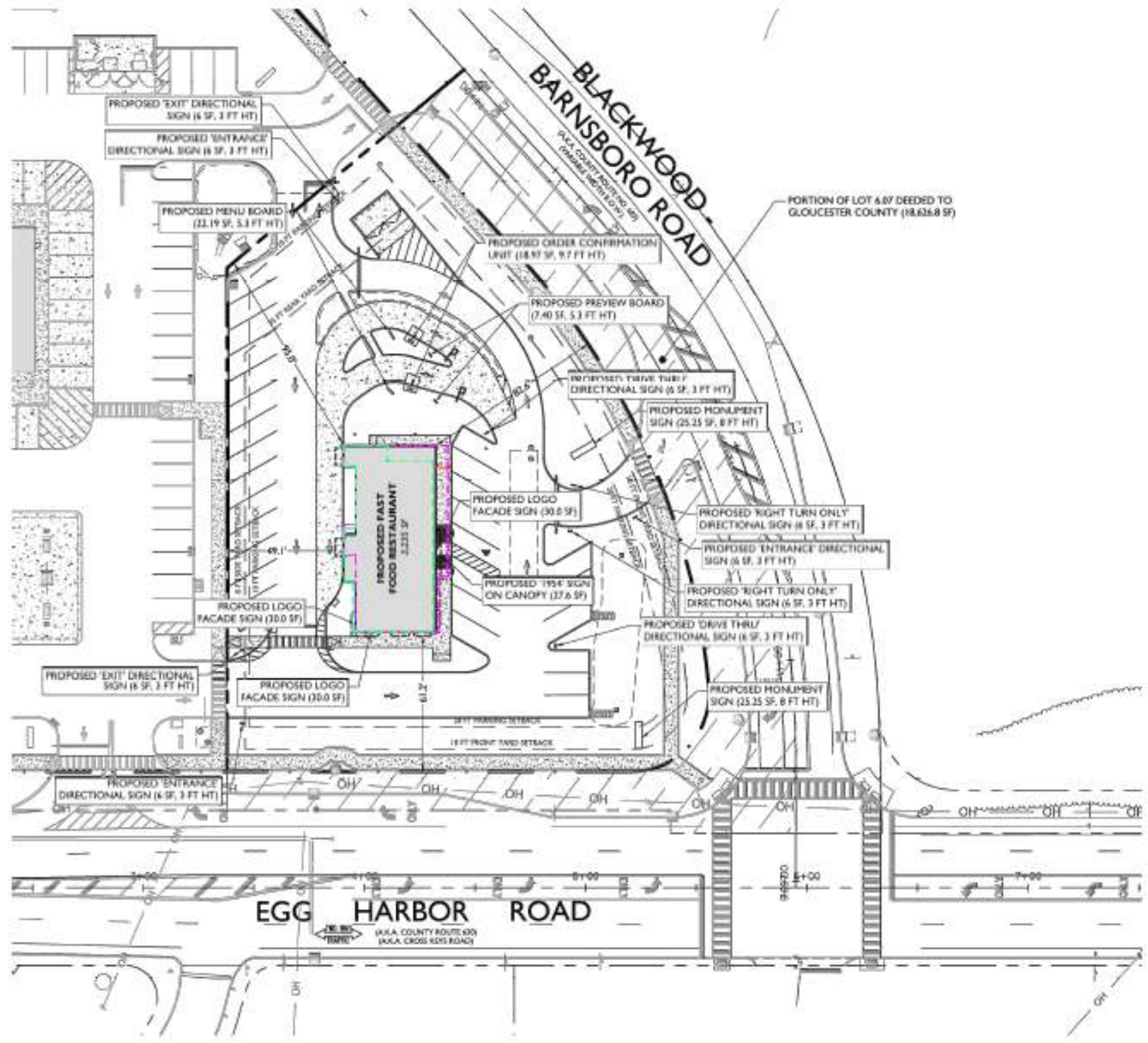
Allen Industries

YOUR BRAND AT ITS BEST™

1-800-967-2553
www.allenindustries.com

Customer Approval / Signature

Signature: _____ Date: _____

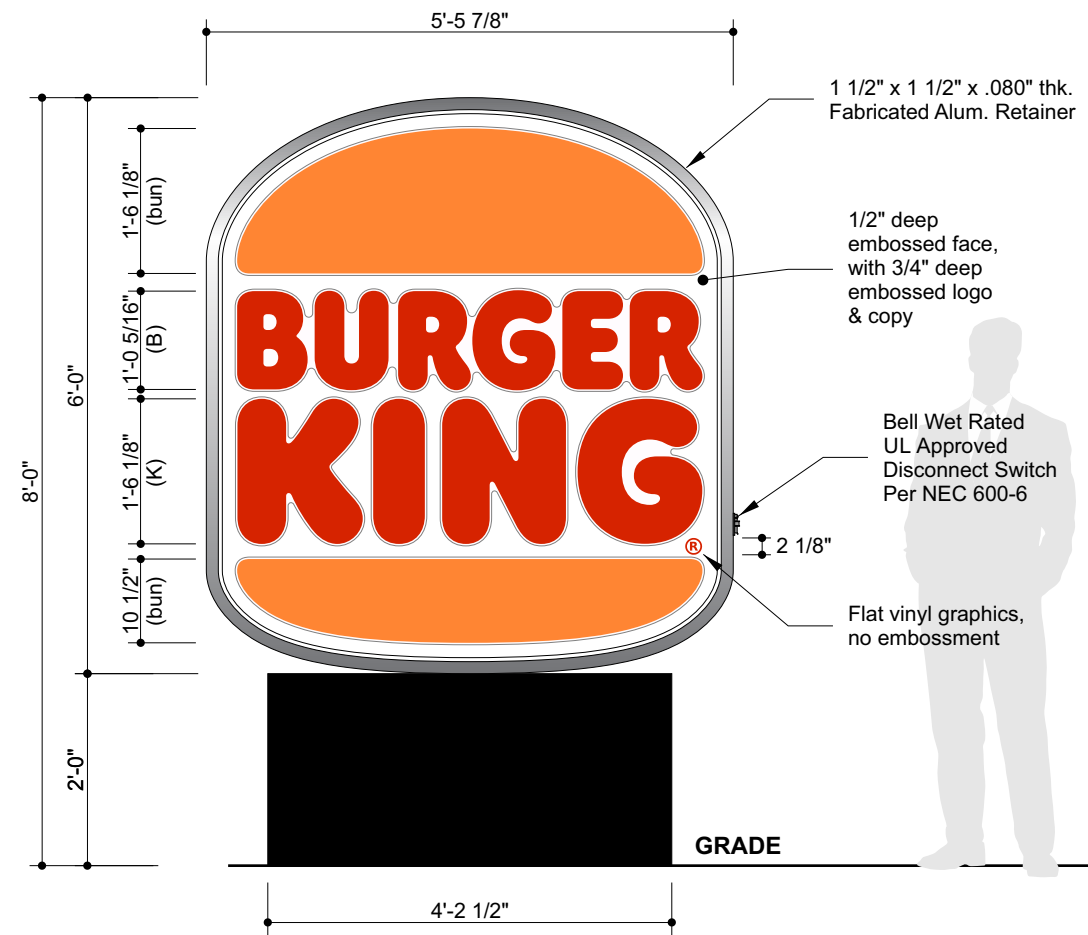


SITE PLAN
SCALE: nts

#	Date	Description	Initial
1	—	—	—
2	—	—	—
3	—	—	—
4	—	—	—
5	—	—	—
6	—	—	—

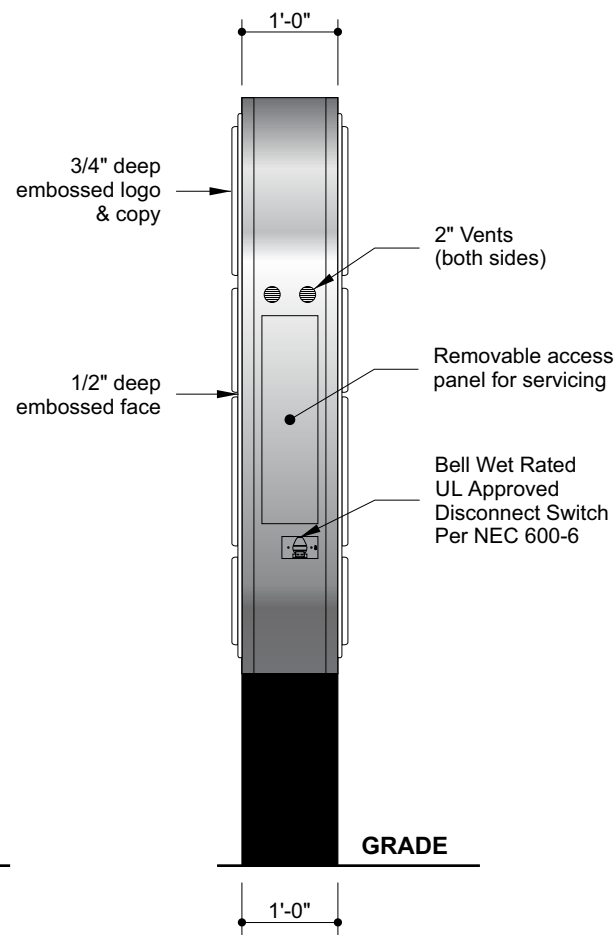
BK Retro Look Bun 8' D/F Monument Sign

BK-RETRO-M8



Front Elevation
Scale: 1/2"=1'-0"

32.81 Sq Ft



Side Elevation
Scale: 1/2"=1'-0"



Night View
Scale: 3/8"=1'-0"

DESIGN INTENT ONLY
Engineering Required to
Determine Actual Production
& Installation Requirements

Vinyl Specifications

-  3M Vinyl #3630-84 Tangerine
-  3M Vinyl #3630-143 Poppy Red

Color Specifications

-  BK Silver
-
-  White

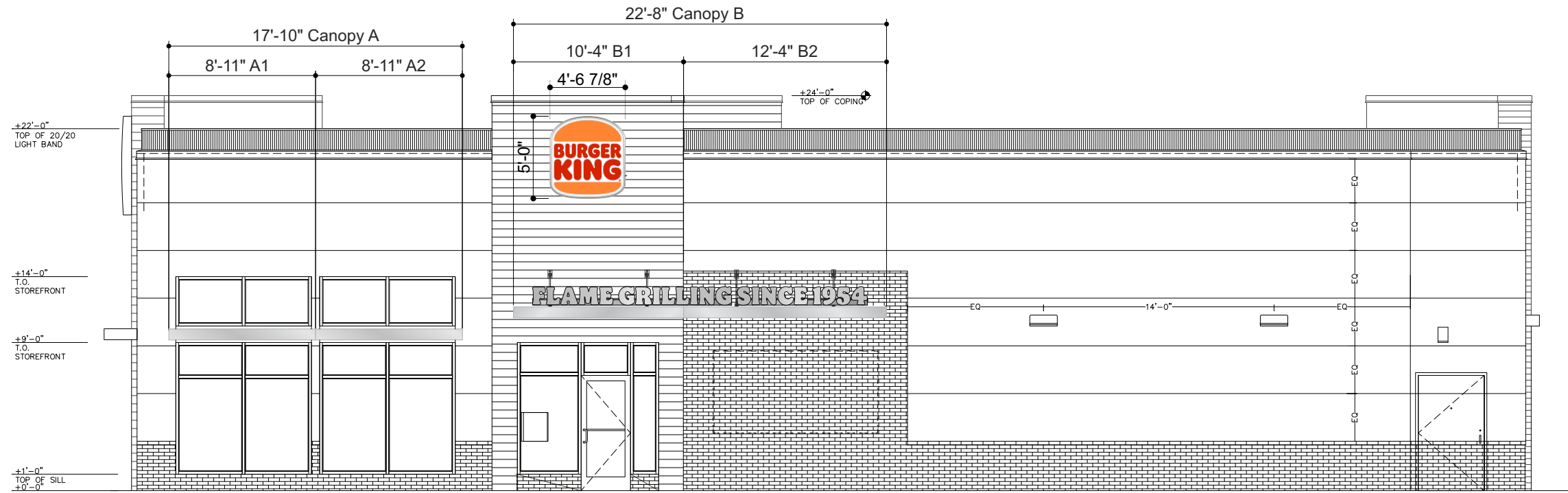
All paint finishes to be Satin unless otherwise specified



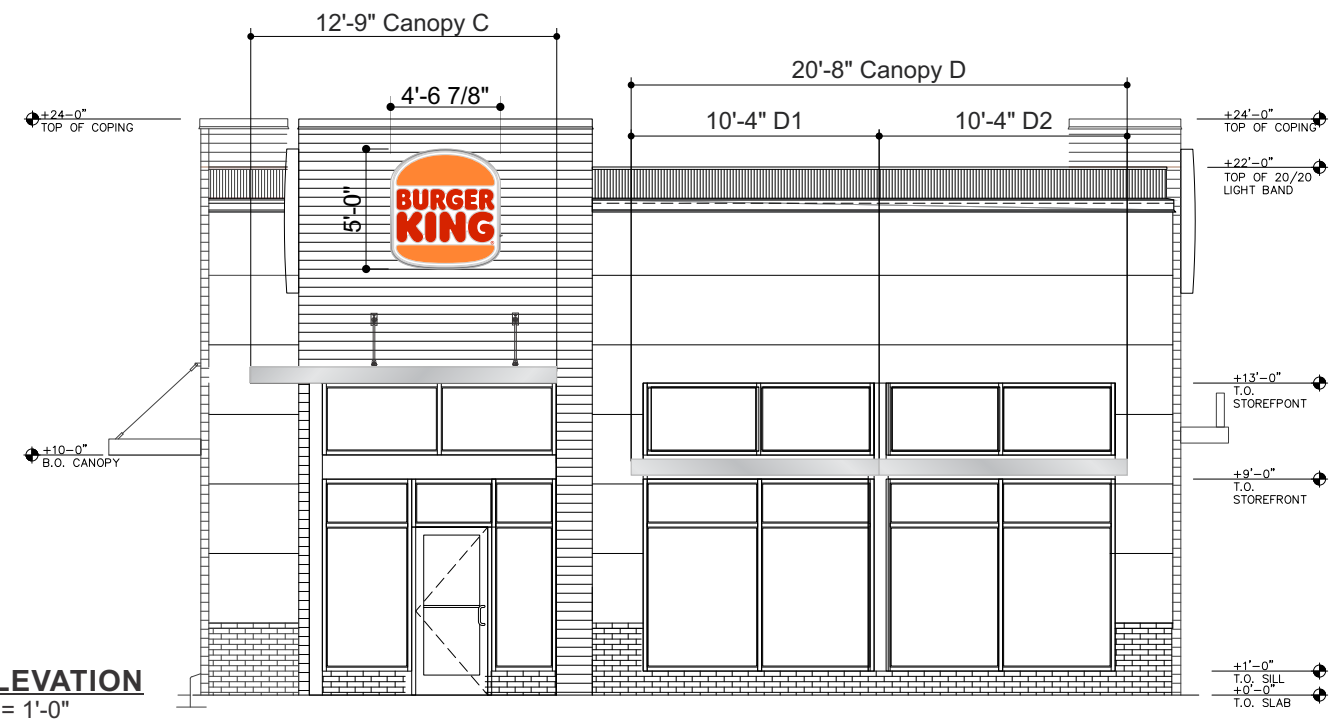
General Specifications

- Face:** .177" thk. Clear Embossed Polycarbonate, 1/2" embossed face, 3/4" embossed logo and copy
- Graphics:** 2nd surface applied vinyl graphics, back sprayed White
- Returns:** .080" thk. Alum. - BK Silver
1 1/2" x 1 1/2" Fabricated Alum. Retainer - BK Silver
- Illum:** White LEDs as required by manufacturer, Self-contained power supplies
- Electrical:** Actual # of Circuits to be determined by Licensed Electrical Contractor, (1) 20 AMP Circuit, 120 Volts
- Install:** Installed on new steel pole structure
- Quantity:** (1) ONE

#	Date	Description	Initial
1	—	—	—
2	—	—	—
3	—	—	—
4	—	—	—
5	—	—	—
6	—	—	—

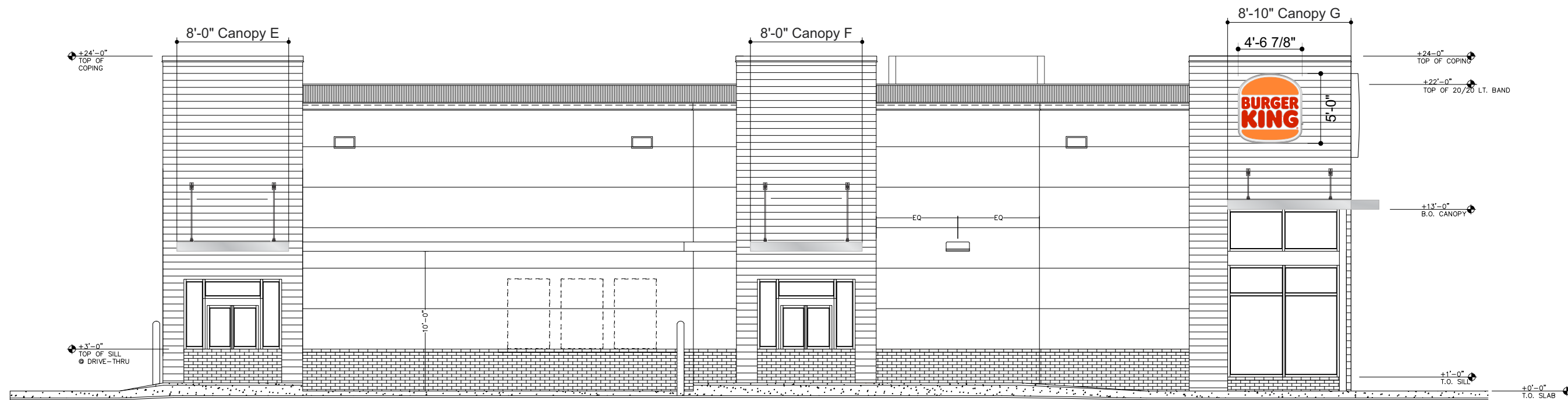


MAIN ENTRANCE ELEVATION
SCALE: 1/8" = 1'-0"

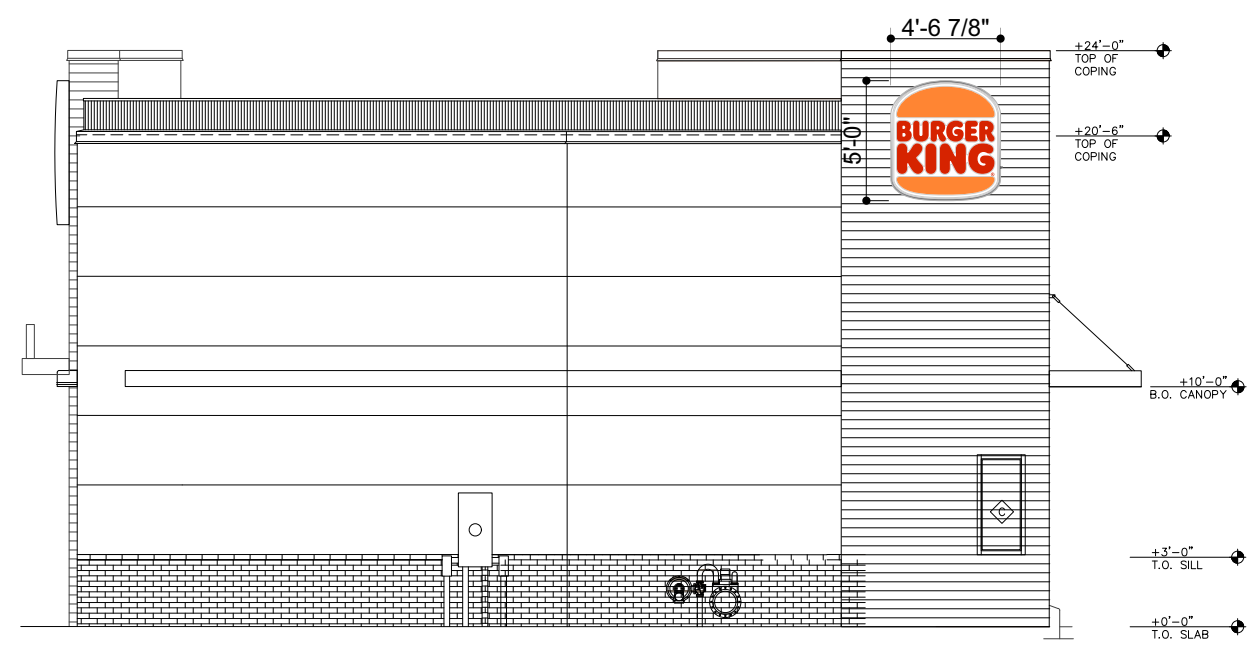


FRONT ELEVATION
SCALE: 1/8" = 1'-0"

#	Date	Description	Initial
1	—	—	—
2	—	—	—
3	—	—	—
4	—	—	—
5	—	—	—
6	—	—	—

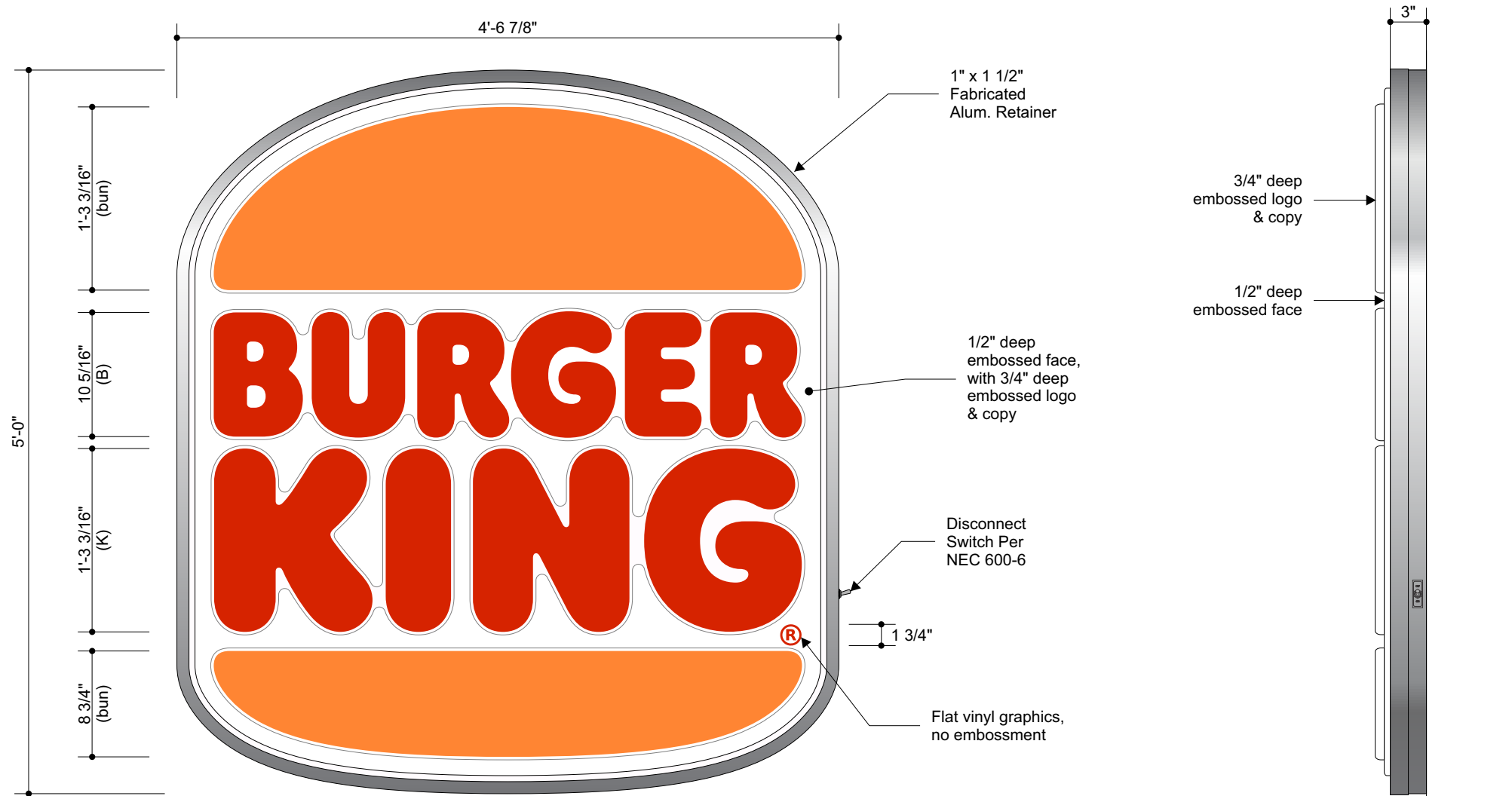


DRIVE THRU ELEVATION
SCALE: 1/8" = 1'-0"



REAR ELEVATION
SCALE: 1/8" = 1'-0"

#	Date	Description	Initial
1	—	—	—
2	—	—	—
3	—	—	—
4	—	—	—
5	—	—	—
6	—	—	—



Front Elevation
Scale: 1"=1'-0"

22.8 Sq Ft

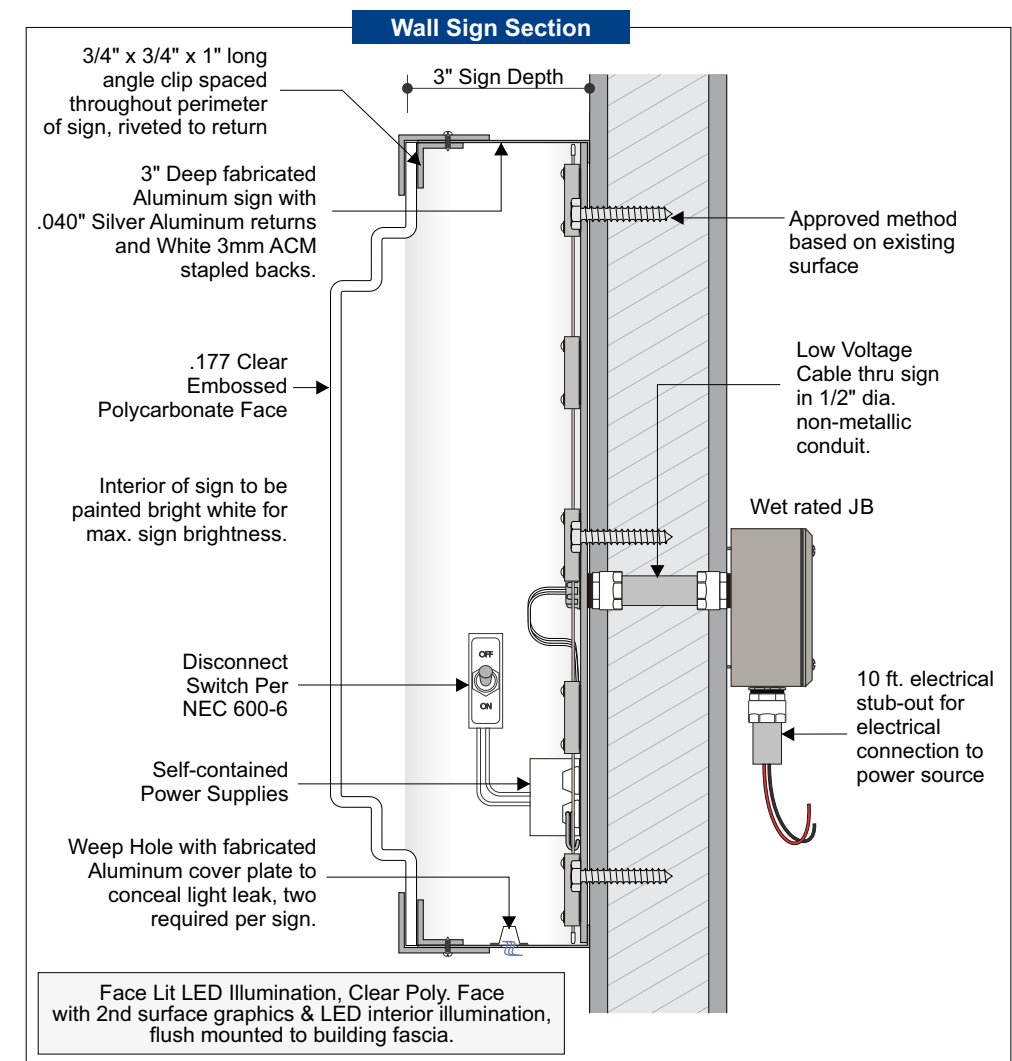
Side Elevation
Scale: 1"=1'-0"

BK Retro Look Bun S/F Wall Signs - 5'-0"

BK-RETRO-W2



Night View
Scale: 3/8"=1'-0"



Vinyl Specifications

- 3M Vinyl #3630-84 Tangerine
- 3M Vinyl #3630-143 Poppy Red

Color Specifications

- .040" Silver Aluminum
- BK Silver
- .177" Clear Polycarbonate
- Translucent White

All paint finishes to be Satin unless otherwise specified

General Specifications

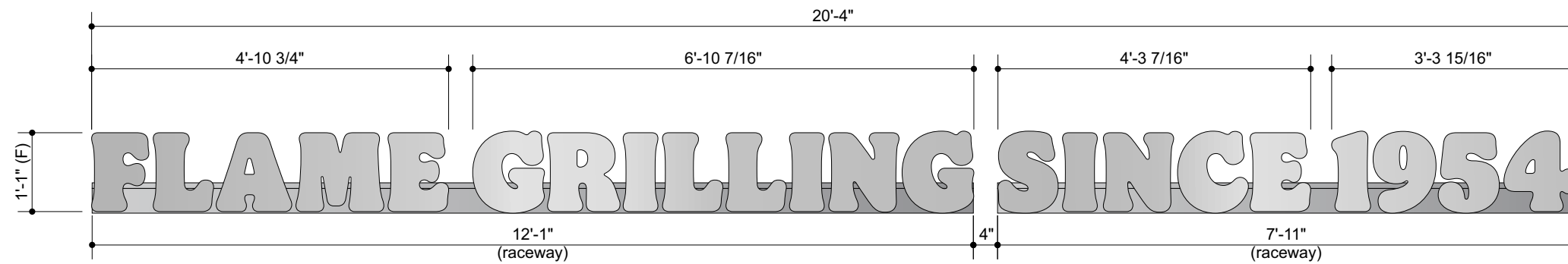
- Face:** .177" thk. Clear Embossed Polycarbonate, 1/2" embossed face, 3/4" embossed logo and copy
- Returns:** 3" deep .040" Alum. - BK Silver
1" x 1 1/2" Fabricated Alum. Retainer - BK Silver
- Backs:** White 3mm ACM
- Illum:** White LEDs as required by manufacturer, Self-contained power supplies
- Wall Type:** Pending Location
- Install:** Installed using min. 3/8" all thread fasteners (or approved equivalent) and wood blocking as required
- Graphics:** 2nd surface applied vinyl graphics, back sprayed White
- Electrical:** Actual # of Circuits to be determined by Licensed Electrical Contractor, (1) 20 AMP Circuit, 120 Volts
- Quantity:** (4) FOUR



THIS SIGN IS INTENDED TO BE INSTALLED IN ACCORDANCE WITH THE REQUIREMENTS OF ARTICLE 600 OF THE NATIONAL ELECTRICAL CODE AND/OR OTHER APPLICABLE LOCAL CODES. THIS INCLUDES PROPER GROUNDING AND BONDING OF THE SIGN.



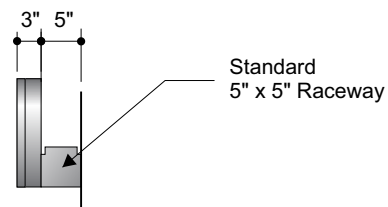
#	Date	Description	Initial
1	—	—	—
2	—	—	—
3	—	—	—
4	—	—	—
5	—	—	—
6	—	—	—



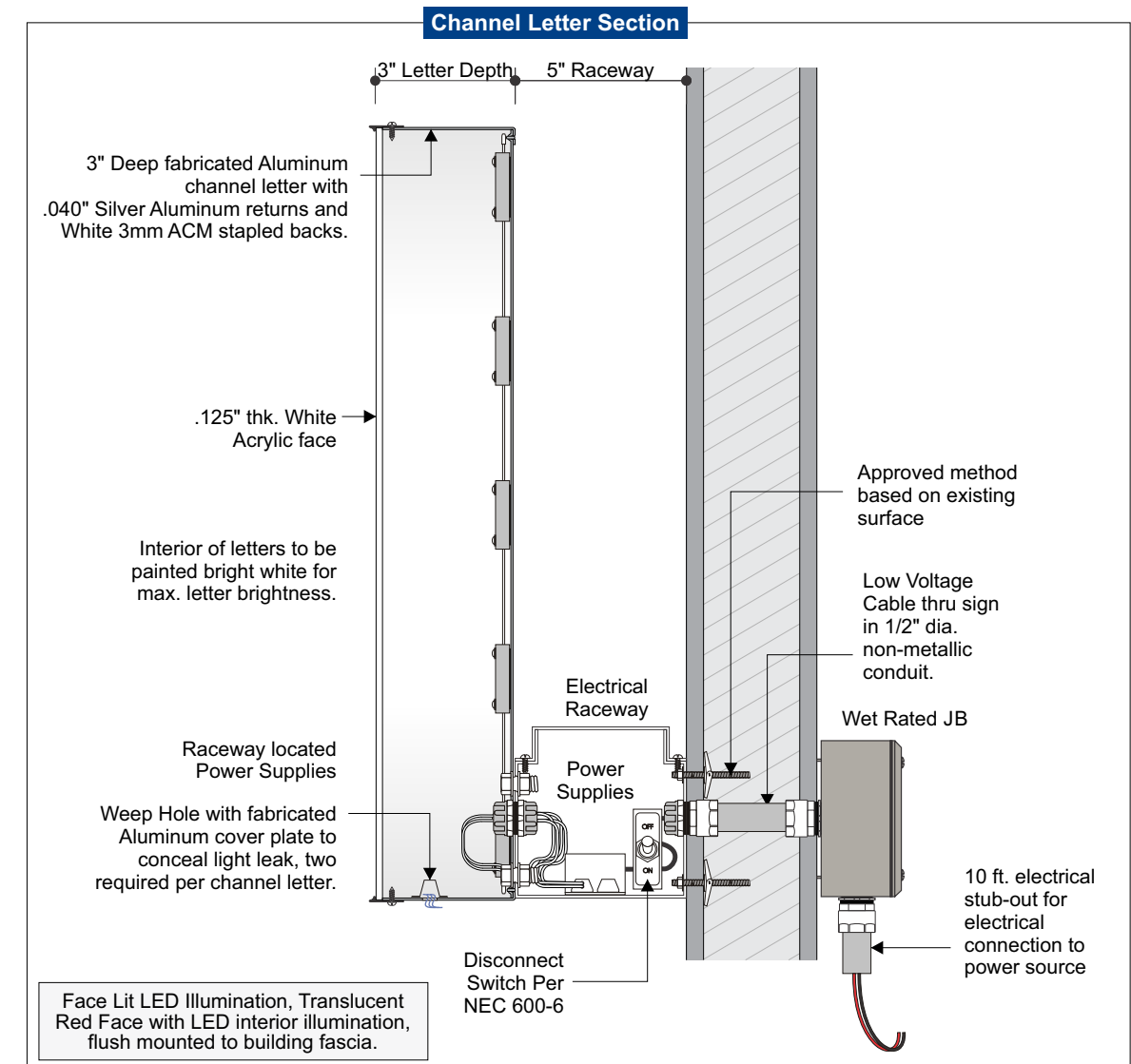
Front Elevation
Scale: 1/2"=1'-0"

22.03 Sq Ft

Notes:
Approval Needed to use Silver



Side Elevation
Scale: 1/2"=1'-0"

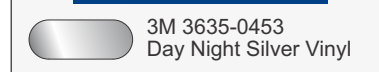


FLAME GRILLING SINCE 1954

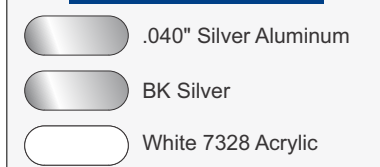
Night View
Scale: 1/4"=1'-0"

- Face:** .125" thk. White 7328 Acrylic
- Returns:** 3" deep .040" Alum. - BK Silver
1" Jewelite Trimcap - BK Silver
- Backs:** White 3mm ACM
- Illum:** White LEDs as required by manufacturer, Remote power supplies
- Raceway:** Standard 5" x 5" Alum. Raceway
- Wall Type:** Pending Location
- Install:** Installed using min. 3/8" all thread fasteners (or approved equivalent) and wood blocking as required
- Electrical:** Actual # of Circuits to be determined by Licensed Electrical Contractor, (1) 20 AMP Circuit, 120 Volts
- Quantity:** (1) ONE

Vinyl Specifications



Color Specifications



All paint finishes to be Satin unless otherwise specified



THIS SIGN IS INTENDED TO BE INSTALLED IN ACCORDANCE WITH THE REQUIREMENTS OF ARTICLE 600 OF THE NATIONAL ELECTRICAL CODE AND/OR OTHER APPLICABLE LOCAL CODES. THIS INCLUDES PROPER GROUNDING AND BONDING OF THE SIGN.



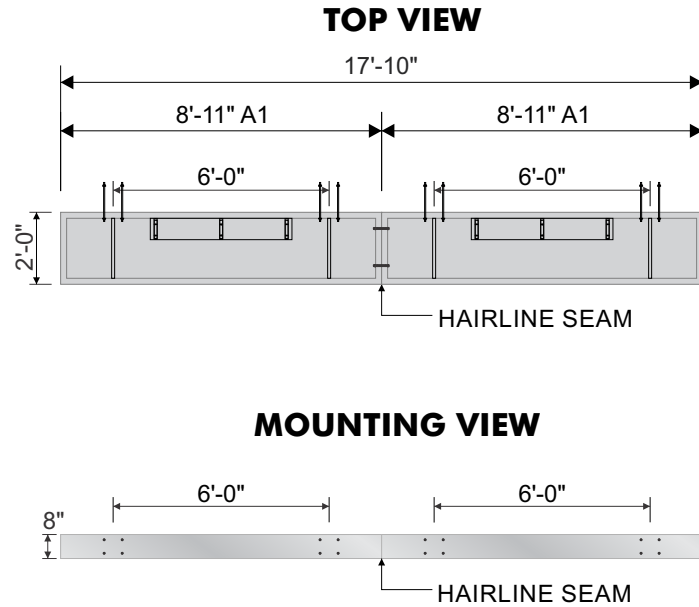
#	Date	Description	Initial
1	—	—	—
2	—	—	—
3	—	—	—
4	—	—	—
5	—	—	—
6	—	—	—

ALL DIMENSIONS TO BE VERIFIED CANOPIES ARE ILLUMINATED w/ 4' LED FIXTURES

NOTE: ALL MET LABELS TO BE PLACED OUT OF EYE SIGHT

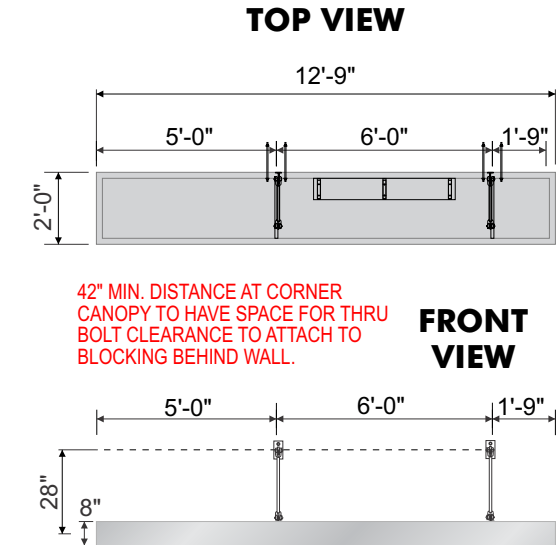
MAIN ENTRANCE ELEVATION

CANOPY A = 2'-0" CLOSED
NO TIE BACKS



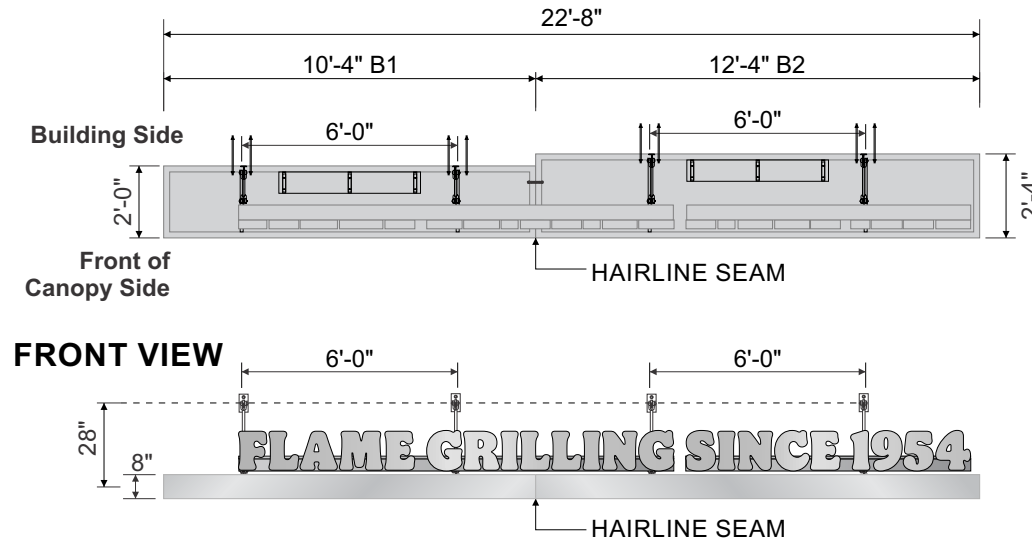
FRONT ELEVATION

CANOPY C = 2'-0" CLOSED



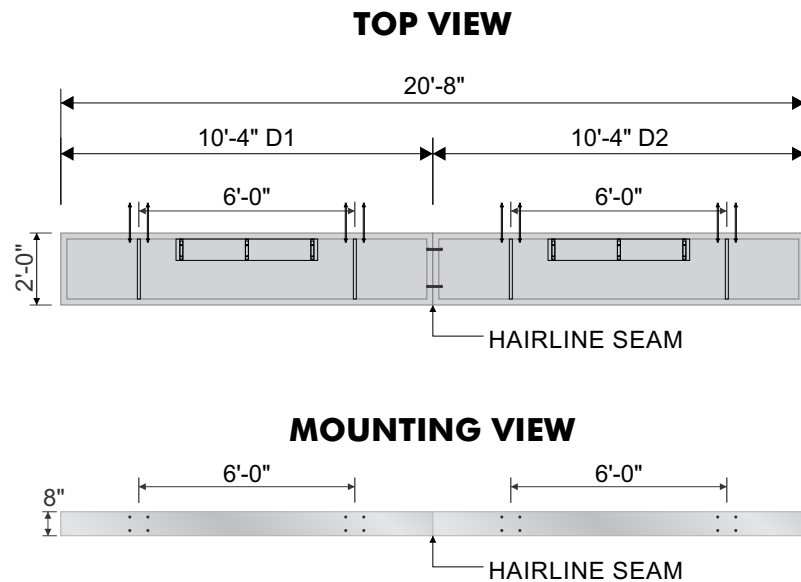
TOP VIEW

CANOPY B = 2'-0" & 2'-4" CLOSED



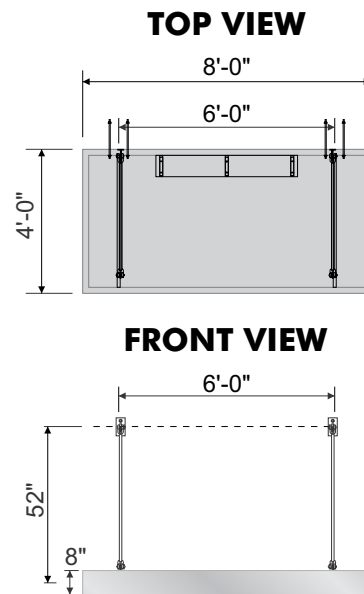
FRONT ELEVATION

CANOPY D = 2'-0" CLOSED
NO TIE BACKS

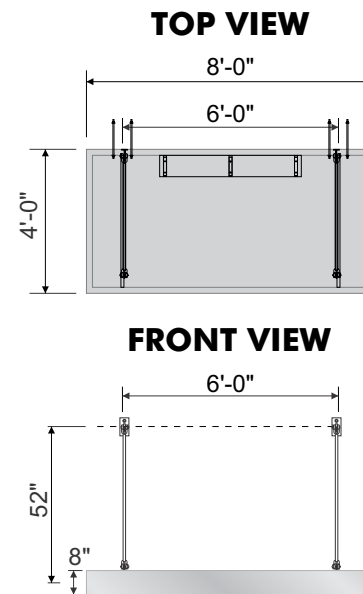


DRIVE THRU ELEVATION

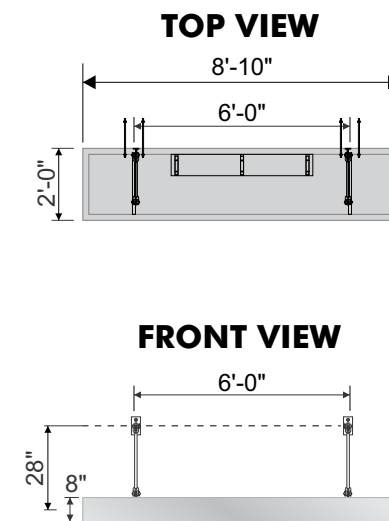
CANOPY E = 4'-0" CLOSED



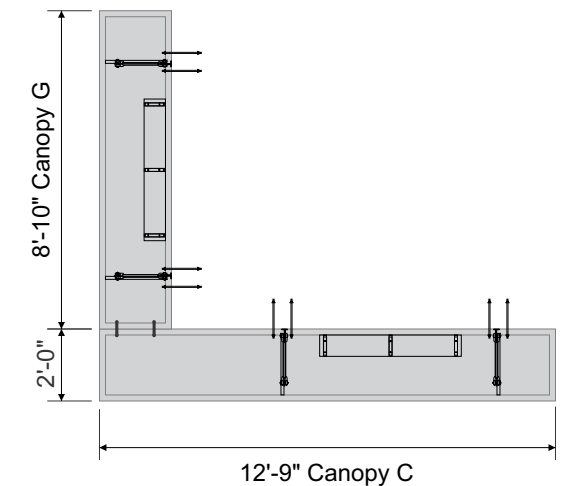
CANOPY F = 4'-0" CLOSED



CANOPY G = 2'-0" CLOSED



CORNER CANOPY TOP VIEW



Drive Thru Canopy w/ OCU

LG SCREEN

QUANTITY: 2

Color Specifications

-  Akzo Nobel Brushed Aluminum Silver, Satin Finish
-  Alpolic Ron Red 4mm ACM (62" x 183")
-  Alpolic Metallic SMX Silver 4mm ACM (62" x 196")
-  3mm ACM with 3M Di-Noc Faux Wood Finish Vinyl
-  3M White #7725-10 Vinyl

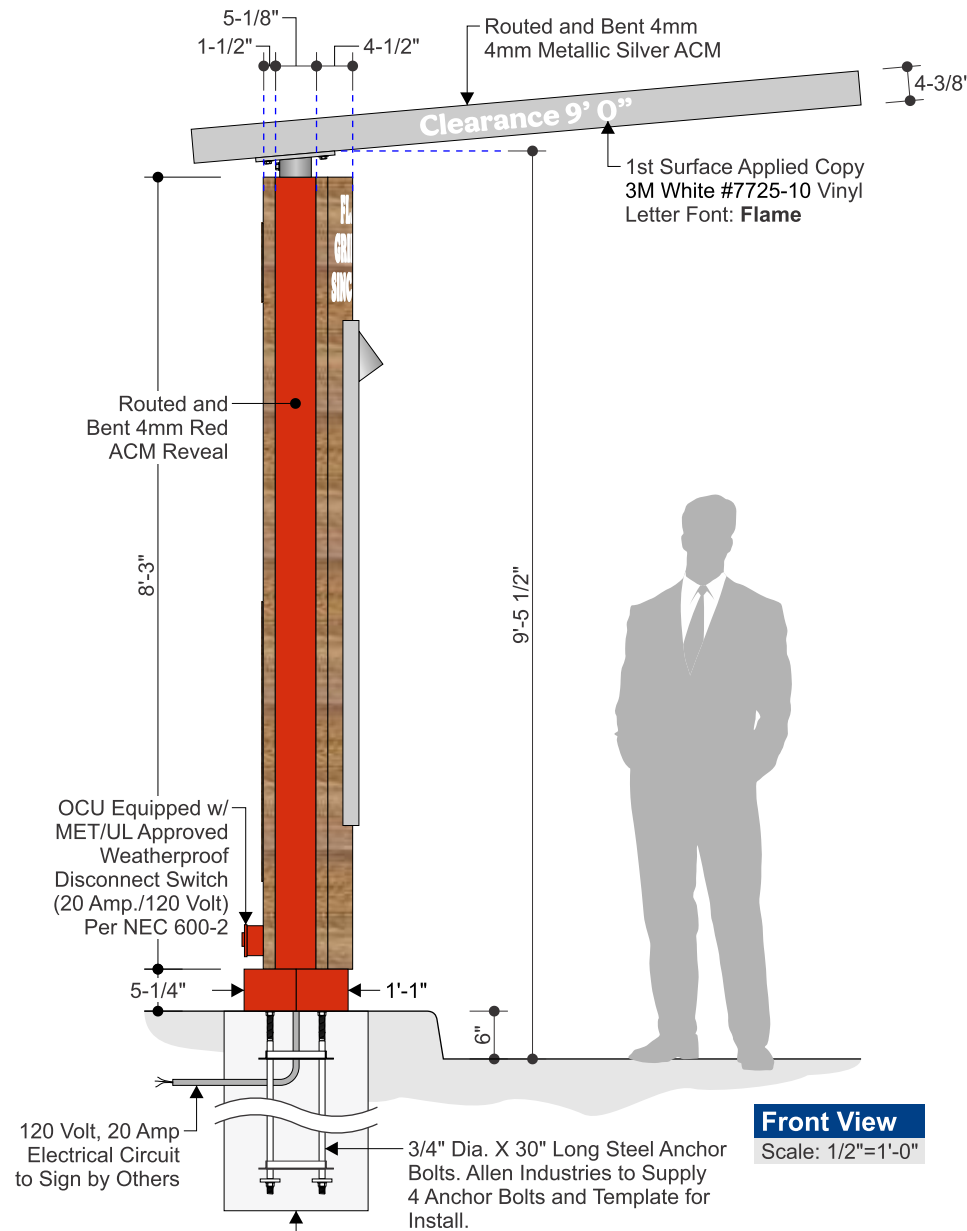
Swing Away Canopy



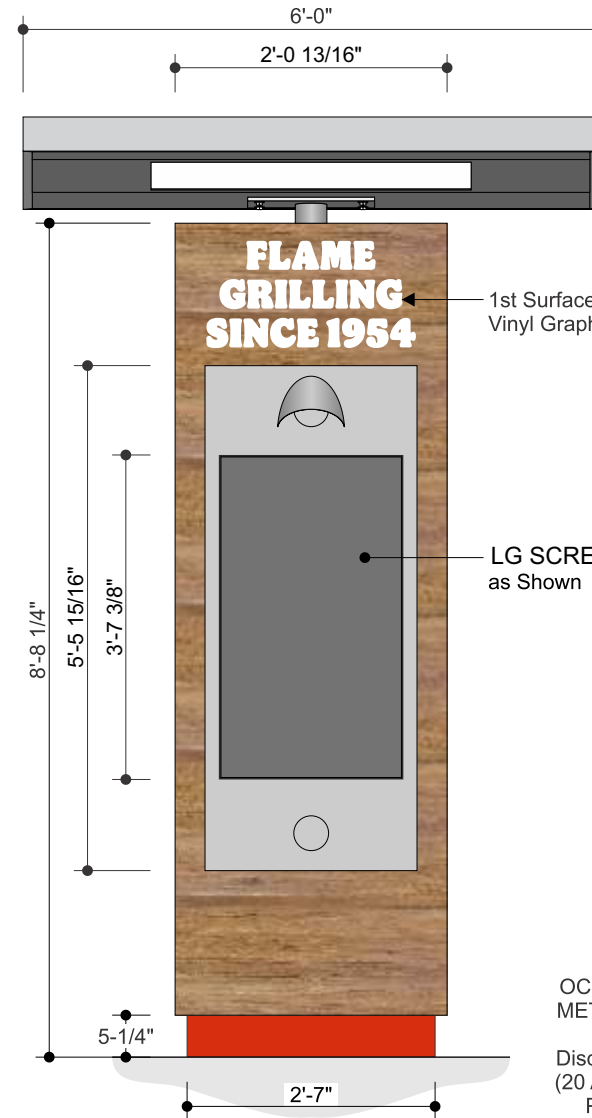
Exposed Steel painted Akzo Nobel Brushed Aluminum Silver
 4" OD x 2-1/8" High Steel Pipe Collar with .226" Wall welded to the 1/2" thick steel plate

Steel Pipe Sleeve Assembly

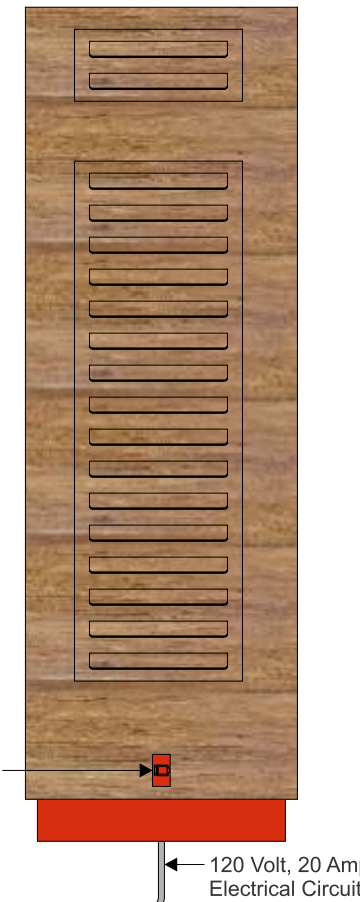
•• Drill 1/2" hole in the 2" high x 4" dia. Steel collar and weld the **Steel nut to the back side of Steel column**, insert the 1/2" dia. steel thru bolt to lock the steel plate in the correct alignment with the Aluminum canopy for a right angle position with the concrete curb.



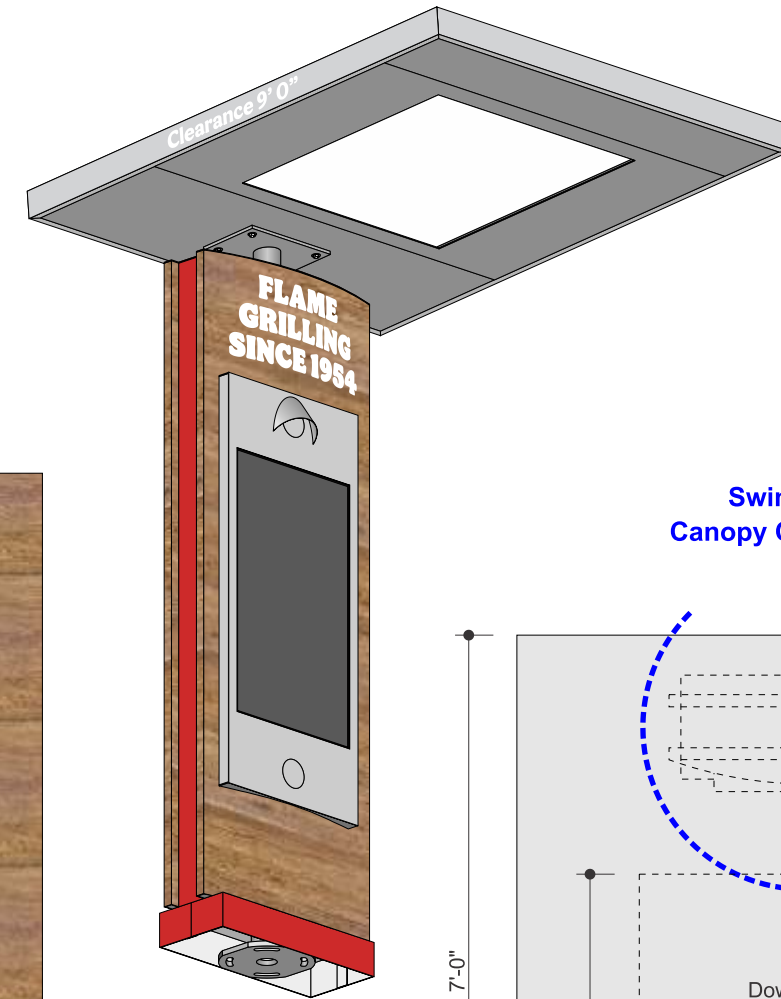
Front View
Scale: 1/2"=1'-0"



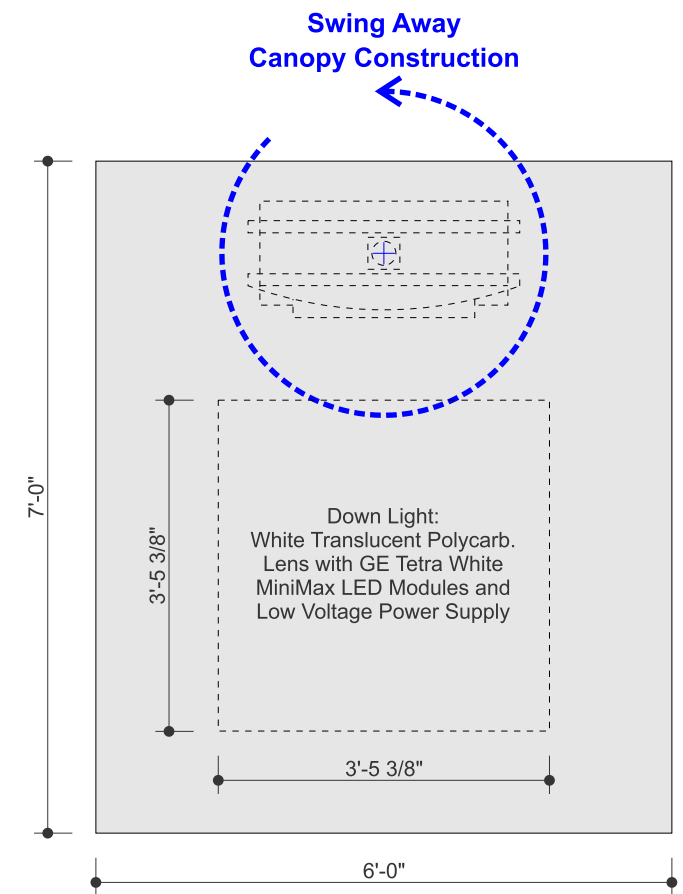
Side View
Scale: 1/2"=1'-0"



Partial Rear View
Scale: 1/2"=1'-0"



Isometric View
Not to Scale



Top View
Scale: 1/2"=1'-0"

Allen Industries LISTED Electric Sign Complies with MET/UL E212503 UL48 CSA C22.2 No.207

THIS SIGN IS INTENDED TO BE INSTALLED IN ACCORDANCE WITH THE REQUIREMENTS OF ARTICLE 600 OF THE NATIONAL ELECTRICAL CODE AND/OR OTHER APPLICABLE LOCAL CODES. THIS INCLUDES PROPER GROUNDING AND BONDING OF THE SIGN.

GROUNDING ELECTRICAL CONNECTIONS

Allen Industries
YOUR BRAND AT ITS BEST™
1-800-967-2553
www.allenindustries.com

Copyright © 2021 Allen Industries, Inc. This is an original, unpublished drawing, created by Allen Industries, Inc. This drawing is submitted to you in confidence for your use solely in connection with the project being planned for you by Allen Industries, Inc. and is not to be shown to anyone outside your organization, nor used, reproduced, copied or exhibited in any fashion whatsoever. The designs shown on the drawing (except for any registered trademarks that may belong to a client of Allen Industries, Inc.) remain the property of Allen Industries, Inc.

Client: **Burger King**

Address: **Sewell, NJ 08080**

Date: **12/3/21**

Page #: **9 of 18**

File Name: **OP029905_Sewell, NJ_200**

Sales: **House** Design: **LB** PM: **GR**

#	Date	Description	Initial
1	—	—	—
2	—	—	—
3	—	—	—
4	—	—	—
5	—	—	—
6	—	—	—

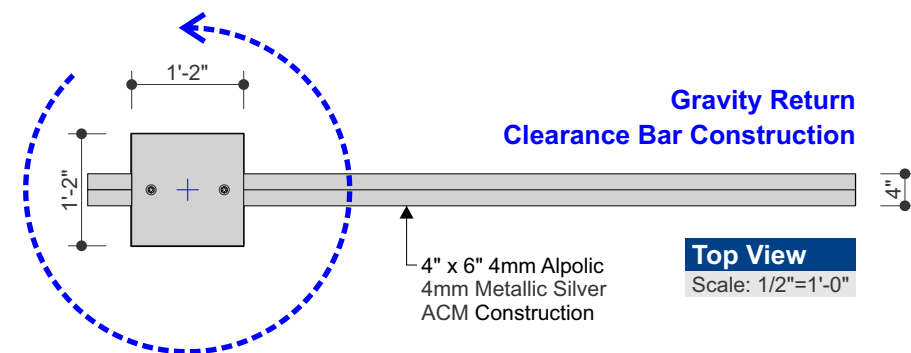
Client Review Status
Allen Industries, Inc. requires that an approved drawing be obtained from the client prior to any production release or production release revision.

Client Signature: _____ Approval Date: _____

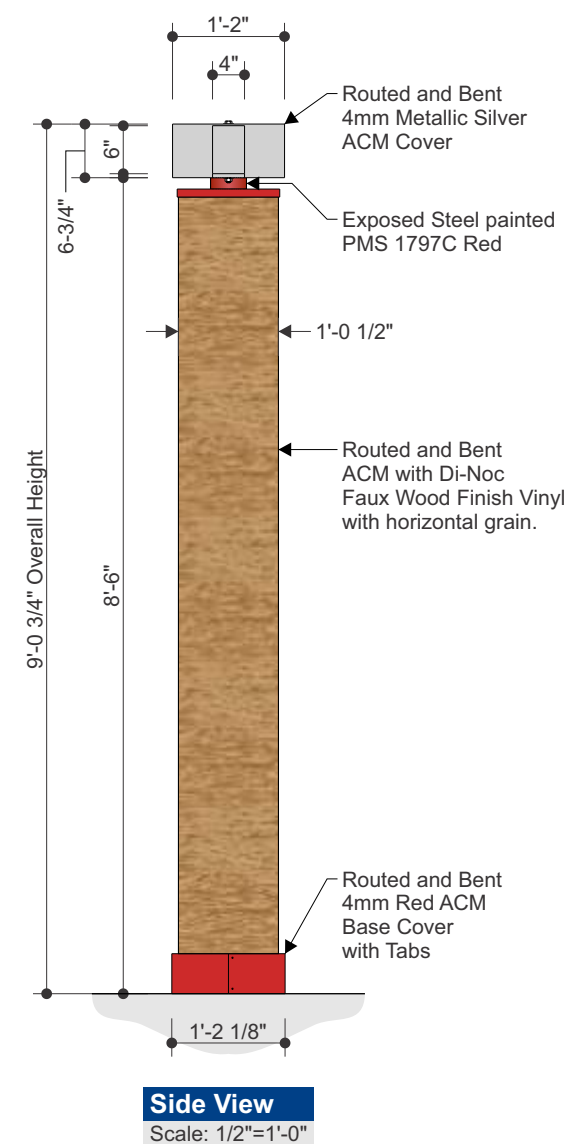
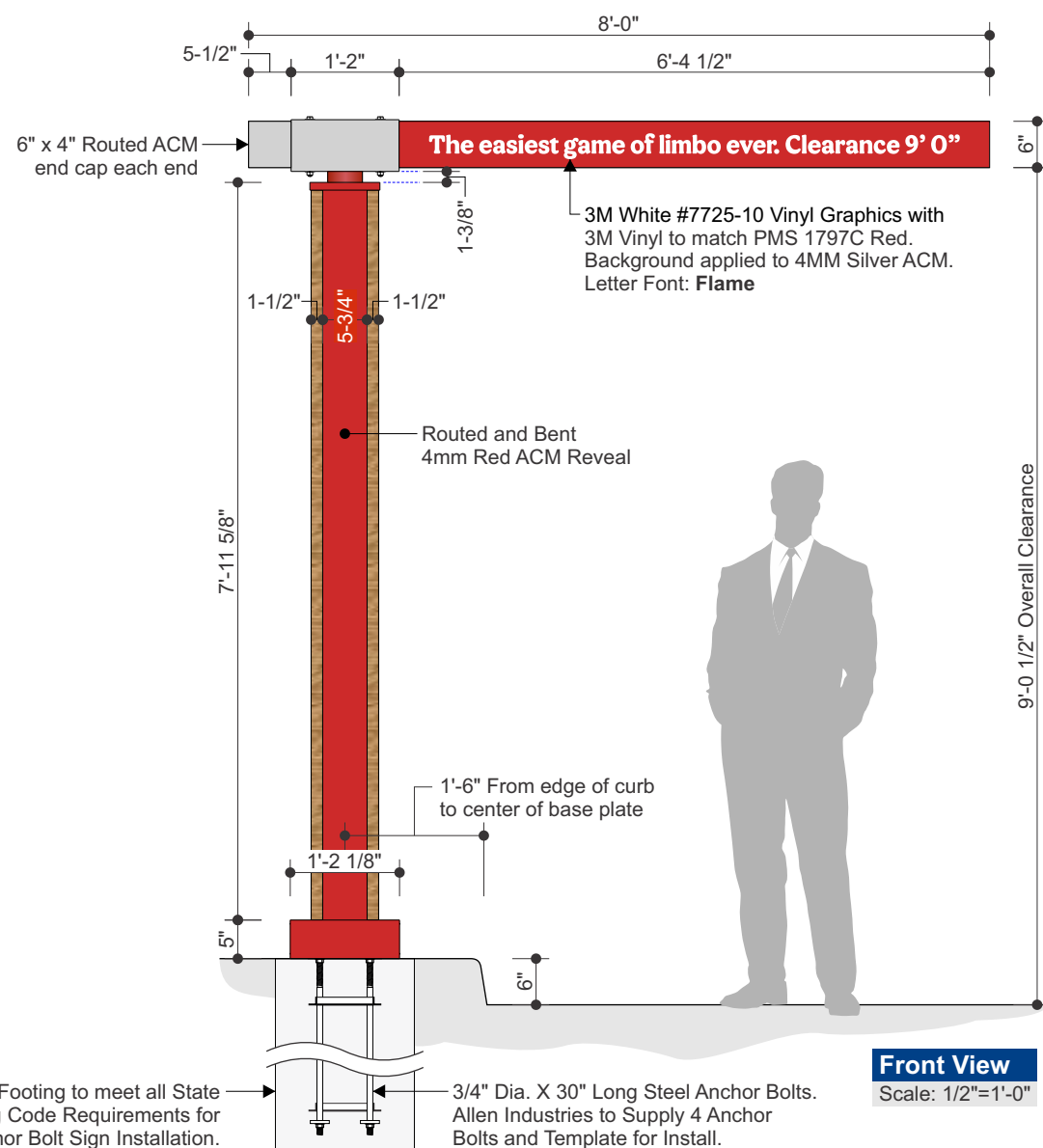
BK Clearance Bar

Di-Noc Woodgrain Vinyl

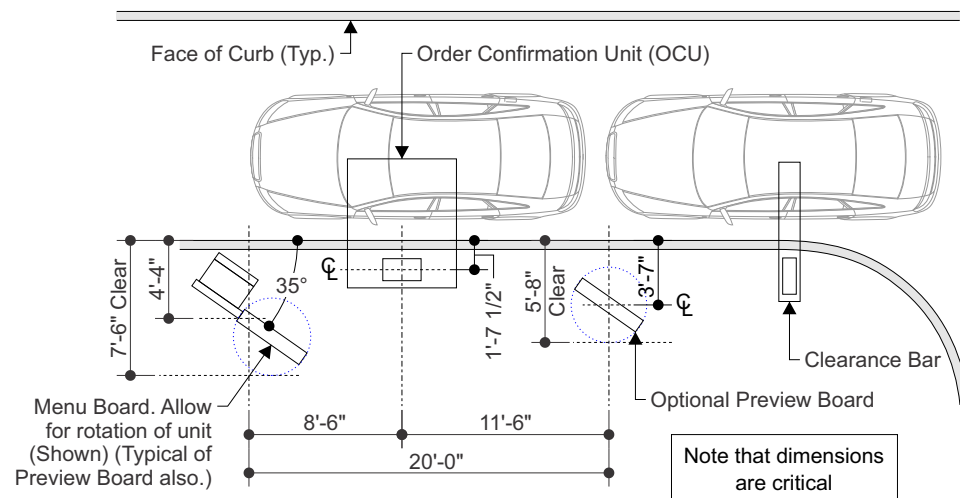
QUANTITY: 2



Color Specifications	
	PMS 1797C Akzo Nobel Painted Satin Finish
	4mm ACM, PMS 1797C Akzo Nobel Painted Satin Finish
	4mm Metallic Silver ACM
	3mm ACM with 3M Di-Noc Faux Wood Finish Vinyl
	3M White #7725-10 Vinyl



#	Date	Description	Initial
1	—	—	—
2	—	—	—
3	—	—	—
4	—	—	—
5	—	—	—
6	—	—	—

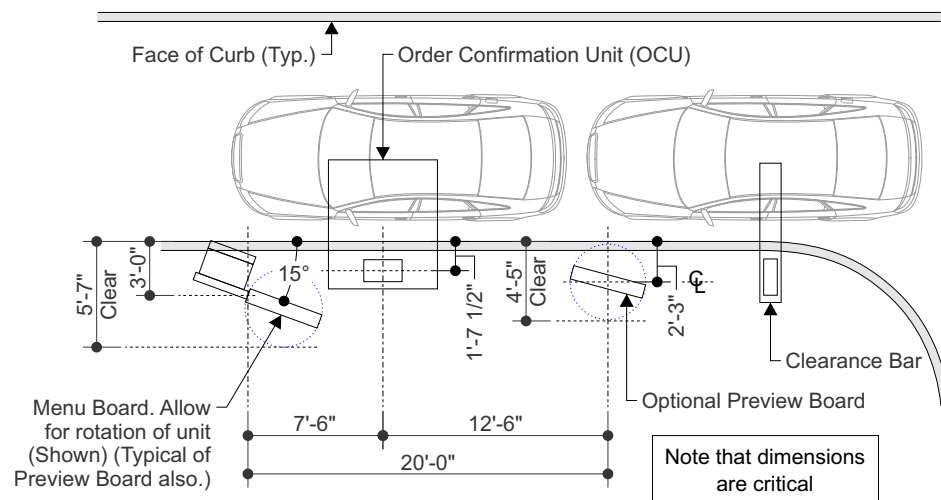


Preferred Layout
Scale: 3/32"=1'-0"

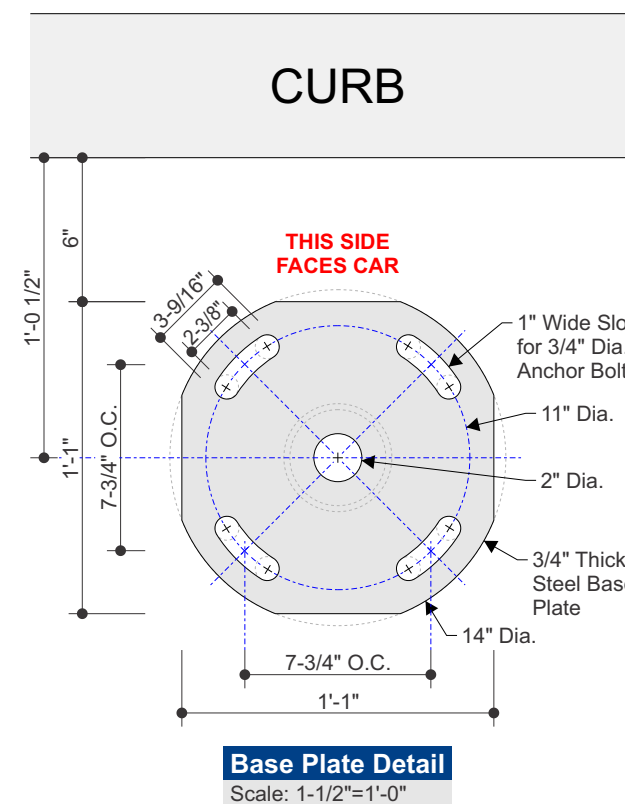
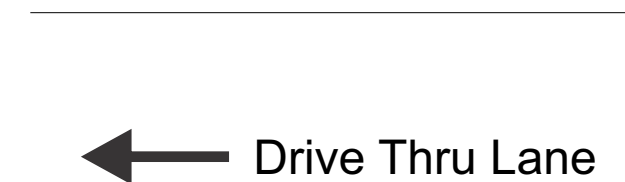
Note: the preferred layout should be used whenever space allows angles between the preferred layout and minimum layout are acceptable as long as:

- (1) The distances from the center lines of the steel support of the menu board & preview board to the face of curb are reduced by 4" for every 5 degrees of rotation.
- (2) The distance from the centerline of the OCU (order confirmation unit) & center line of the menu board is reduced by 3" for every 5 degrees of rotation.

The center line of the menu board to center line of preview board remains at 20'-0".



Minimum Layout
Scale: 3/32"=1'-0"

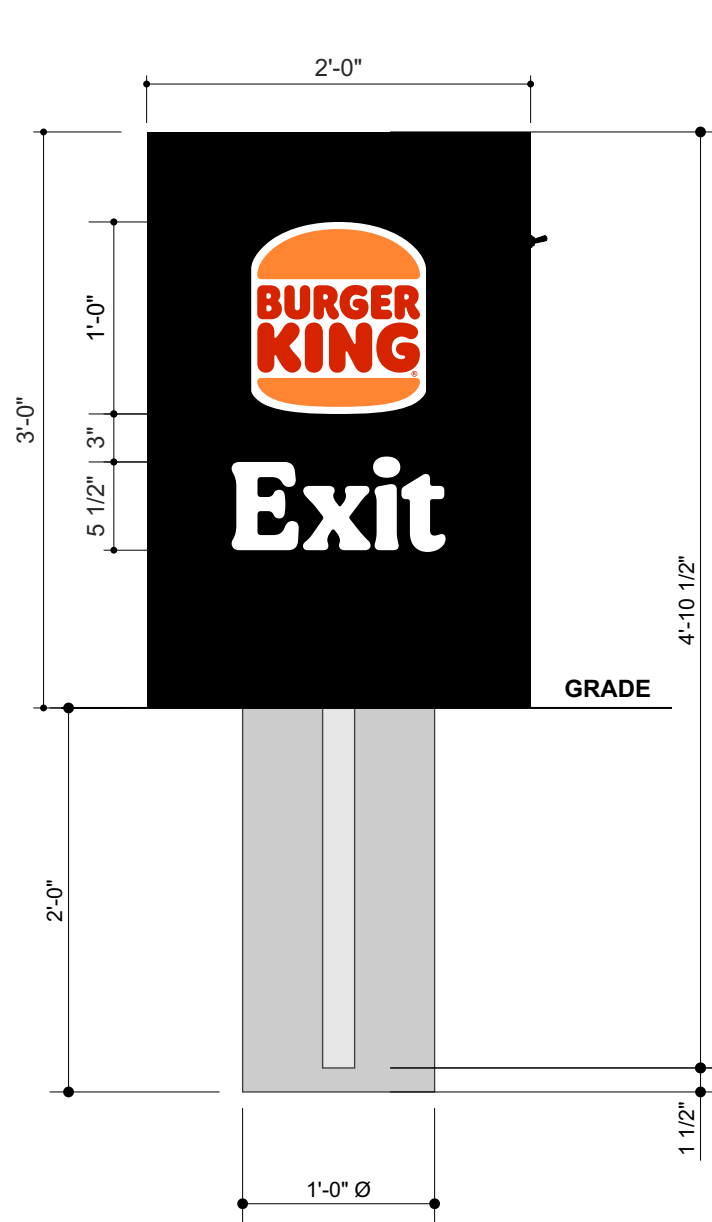


#	Date	Description	Initial
1	—	—	—
2	—	—	—
3	—	—	—
4	—	—	—
5	—	—	—
6	—	—	—

NON-STANDARD

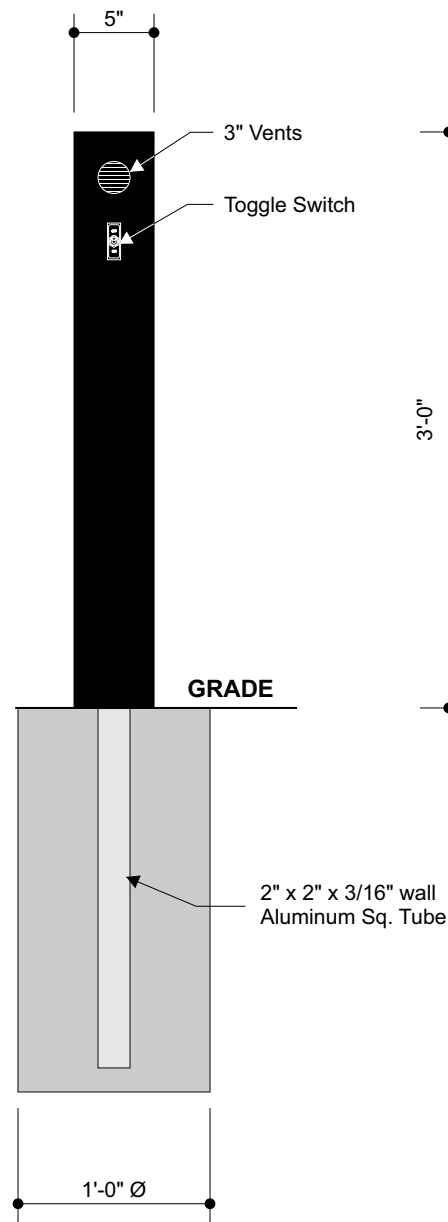
BK Retro Look Bun S/F Directional Sign

BK-RETRO-D6

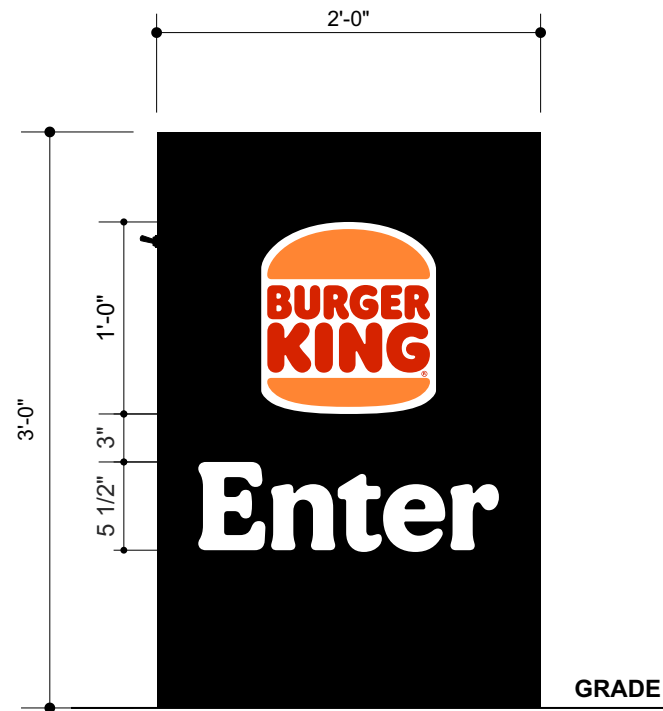


Front Elevation
Scale: 1"=1'-0"

6.0 Sq Ft



Side Elevation
Scale: 1"=1'-0"



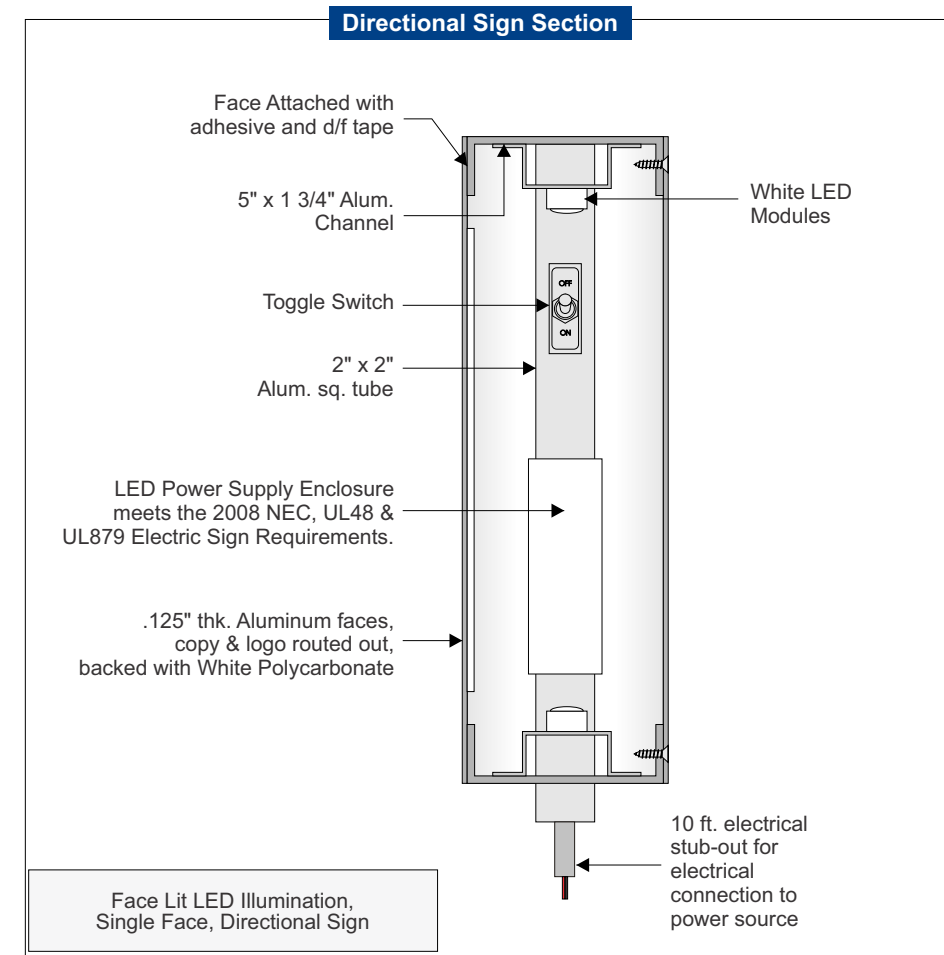
Rear Elevation
Scale: 1"=1'-0"

Color Specifications

- Black
- .177" White Polycarbonate

All paint finishes to be Satin unless otherwise specified

- Face:** .125" thk. Aluminum with copy & logo routed out, backed with 177" thk. White Polycarbonate panels
- Returns:** 5" x 1 3/4" Alum. Channel
- Backs:** .125" thk. Aluminum
- Illum:** White LEDs as required by manufacturer, Self Contained power supply
- Electrical:** Actual # of Circuits to be determined by Licensed Electrical Contractor, (1) 20 AMP Circuit, 120 Volts
- Quantity:** (1) ONE



Face Lit LED Illumination, Single Face, Directional Sign

Allen Industries
Listed Electric Sign Complies with UL48
E212503 CSA C22.2 No.207
THIS SIGN IS INTENDED TO BE INSTALLED IN ACCORDANCE WITH THE REQUIREMENTS OF ARTICLE 600 OF THE NATIONAL ELECTRICAL CODE AND/OR OTHER APPLICABLE LOCAL CODES. THIS INCLUDES PROPER GROUNDING AND BONDING OF THE SIGN.
GROUNDING ELECTRICAL CONNECTIONS

Copyright © 2021 Allen Industries, Inc. This is an original, unpublished drawing, created by Allen Industries, Inc. This drawing is submitted to you in confidence for your use solely in connection with the project being planned for you by Allen Industries, Inc. and is not to be shown to anyone outside your organization, nor used, reproduced, copied or exhibited in any fashion whatsoever. The designs shown on the drawing (except for any registered trademarks that may belong to a client of Allen Industries, Inc.) remain the property of Allen Industries, Inc.

Client: Burger King
Address: Sewell, NJ 08080

Date: 12/3/21
Page #: 12 of 18
File Name: OP029905_Sewell, NJ_200
Sales: House
Design: LB
PM: GR

#	Date	Description	Initial
1	—	—	—
2	—	—	—
3	—	—	—
4	—	—	—
5	—	—	—
6	—	—	—

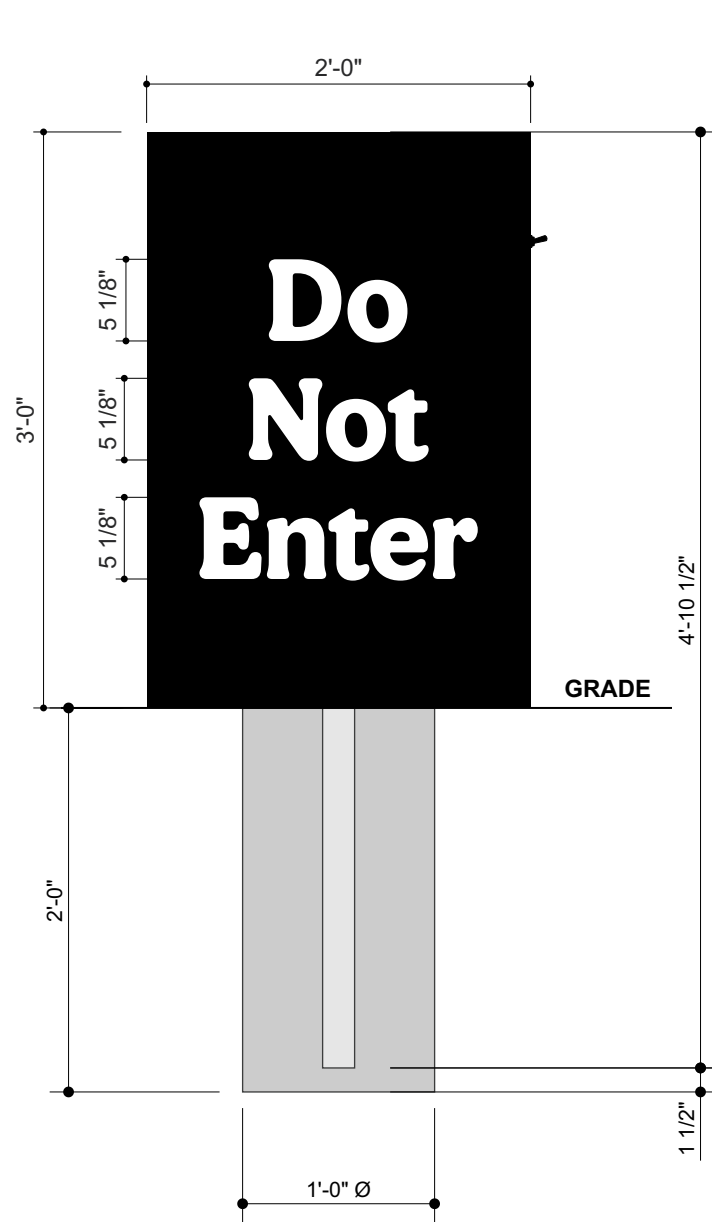
Client Review Status
Allen Industries, Inc. requires that an approved drawing be obtained from the client prior to any production release or production release revision.
Client Signature: _____
Approval Date: _____

Allen Industries
YOUR BRAND AT ITS BEST™
1-800-967-2553
www.allenindustries.com

NON-STANDARD

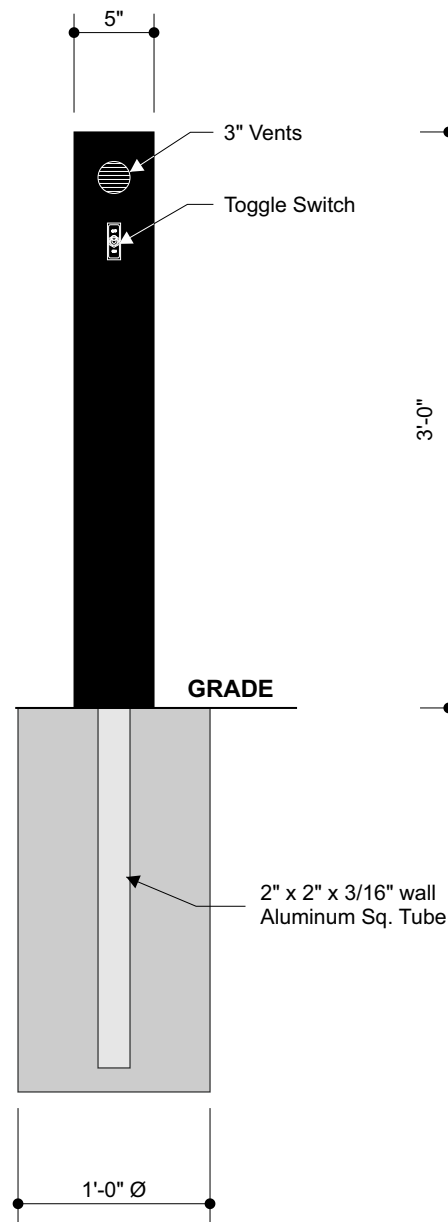
BK Retro Look Bun S/F Directional Sign

BK-RETRO-D6

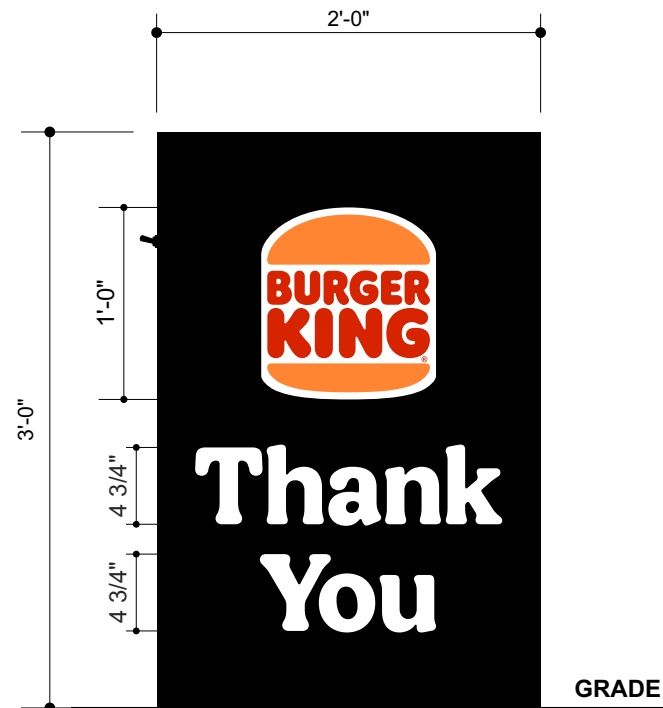


Front Elevation
Scale: 1"=1'-0"

6.0 Sq Ft





Side Elevation
Scale: 1"=1'-0"



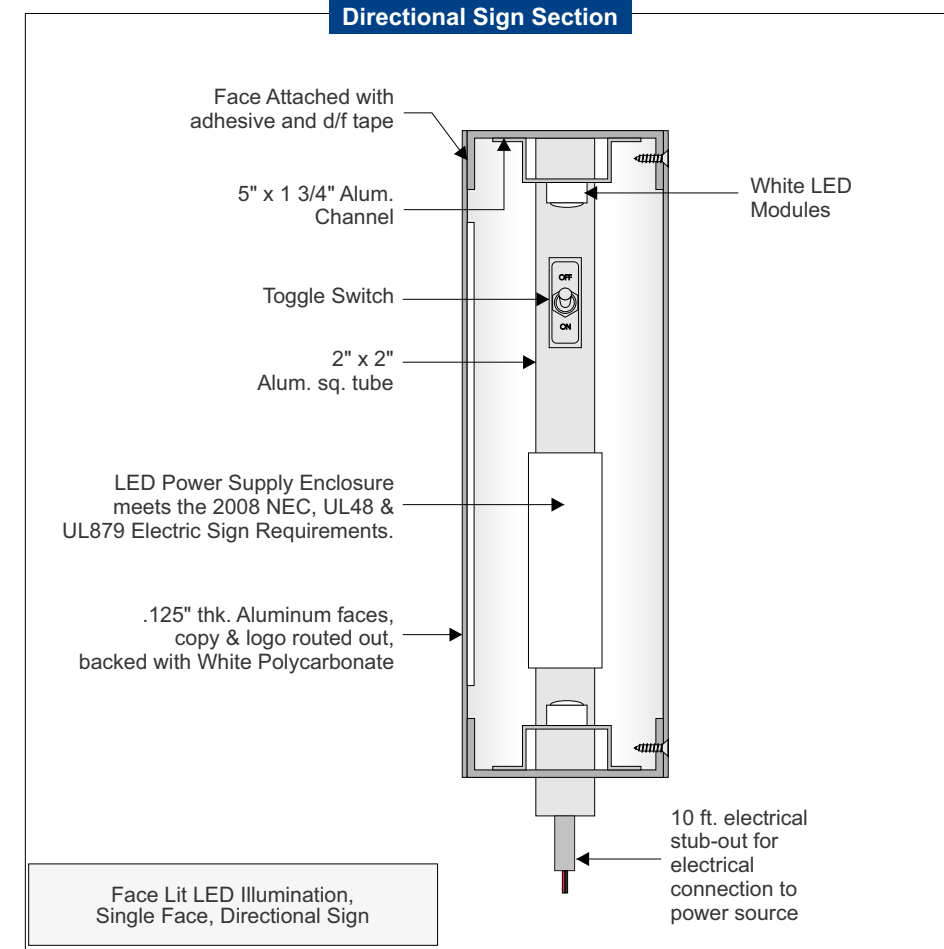
Rear Elevation
Scale: 1"=1'-0"

Color Specifications

-  Black
-  .177" White Polycarbonate

All paint finishes to be Satin unless otherwise specified

- Face:** .125" thk. Aluminum with copy & logo routed out, backed with 177" thk. White Polycarbonate panels
- Returns:** 5" x 1 3/4" Alum. Channel
- Backs:** .125" thk. Aluminum
- Illum:** White LEDs as required by manufacturer, Self Contained power supply
- Electrical:** Actual # of Circuits to be determined by Licensed Electrical Contractor, (1) 20 AMP Circuit, 120 Volts
- Quantity:** (1) ONE



Face Lit LED Illumination, Single Face, Directional Sign

Allen Industries
Listed Electric Sign Complies with UL48
E212503 CSA C22.2 No.207
THIS SIGN IS INTENDED TO BE INSTALLED IN ACCORDANCE WITH THE REQUIREMENTS OF ARTICLE 600 OF THE NATIONAL ELECTRICAL CODE AND/OR OTHER APPLICABLE LOCAL CODES. THIS INCLUDES PROPER GROUNDING AND BONDING OF THE SIGN.
GROUNDED ELECTRICAL CONNECTIONS

Copyright © 2021 Allen Industries, Inc. This is an original, unpublished drawing, created by Allen Industries, Inc. This drawing is submitted to you in confidence for your use solely in connection with the project being planned for you by Allen Industries, Inc. and is not to be shown to anyone outside your organization, nor used, reproduced, copied or exhibited in any fashion whatsoever. The designs shown on the drawing (except for any registered trademarks that may belong to a client of Allen Industries, Inc.) remain the property of Allen Industries, Inc.

Client: Burger King
Address: Sewell, NJ 08080

Date: 12/3/21
Page #: 13 of 18
File Name: OP029905_Sewell, NJ_200
Sales: House
Design: LB
PM: GR

#	Date	Description	Initial
1	—	—	—
2	—	—	—
3	—	—	—
4	—	—	—
5	—	—	—
6	—	—	—

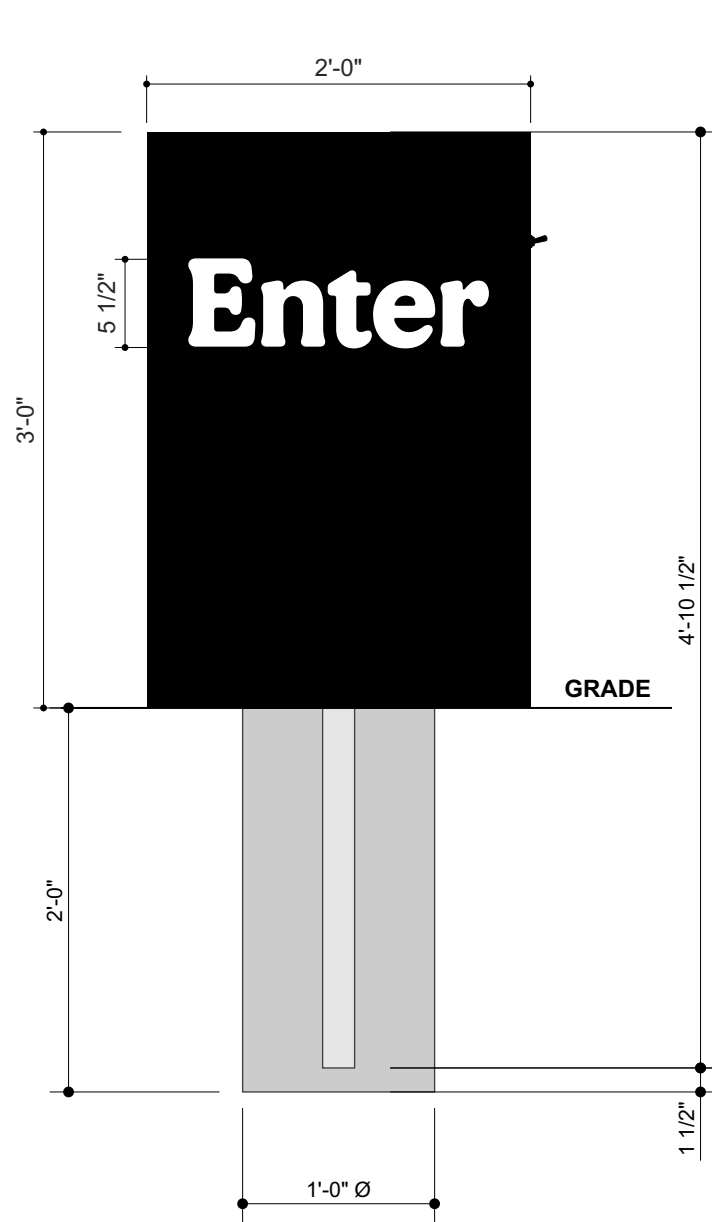
Client Review Status
Allen Industries, Inc. requires that an approved drawing be obtained from the client prior to any production release or production release revision.
Client Signature: _____
Approval Date: _____

Allen Industries
YOUR BRAND AT ITS BEST™
1-800-967-2553
www.allenindustries.com

NON-STANDARD

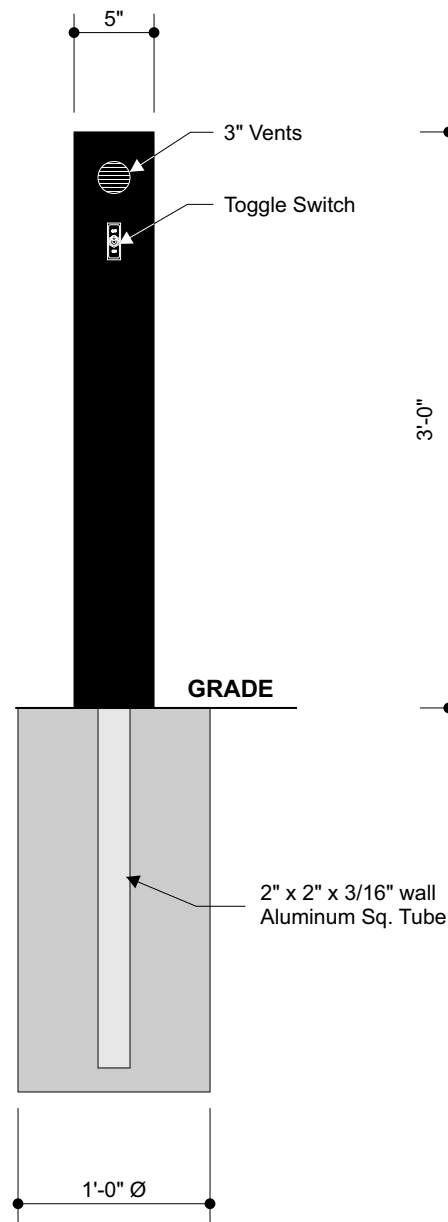
BK Retro Look Bun S/F Directional Sign

BK-RETRO-D6

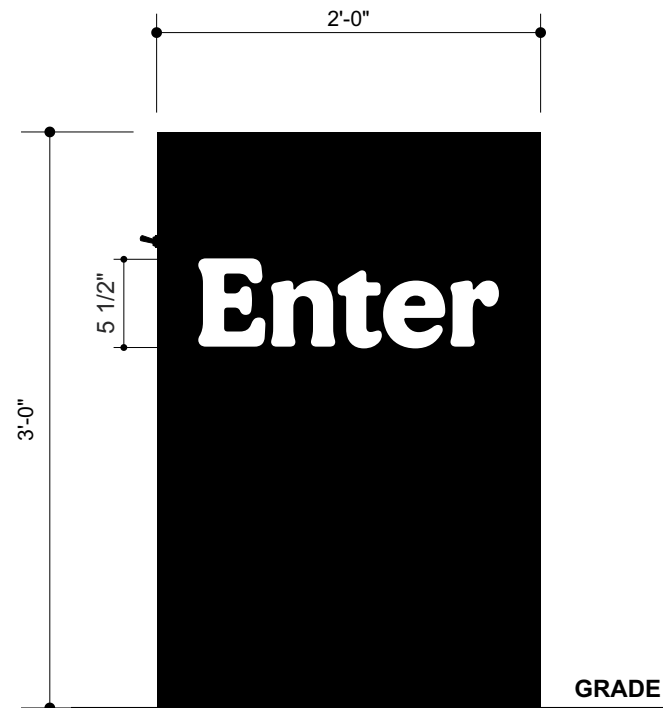


Front Elevation
Scale: 1"=1'-0"

6.0 Sq Ft



Side Elevation
Scale: 1"=1'-0"



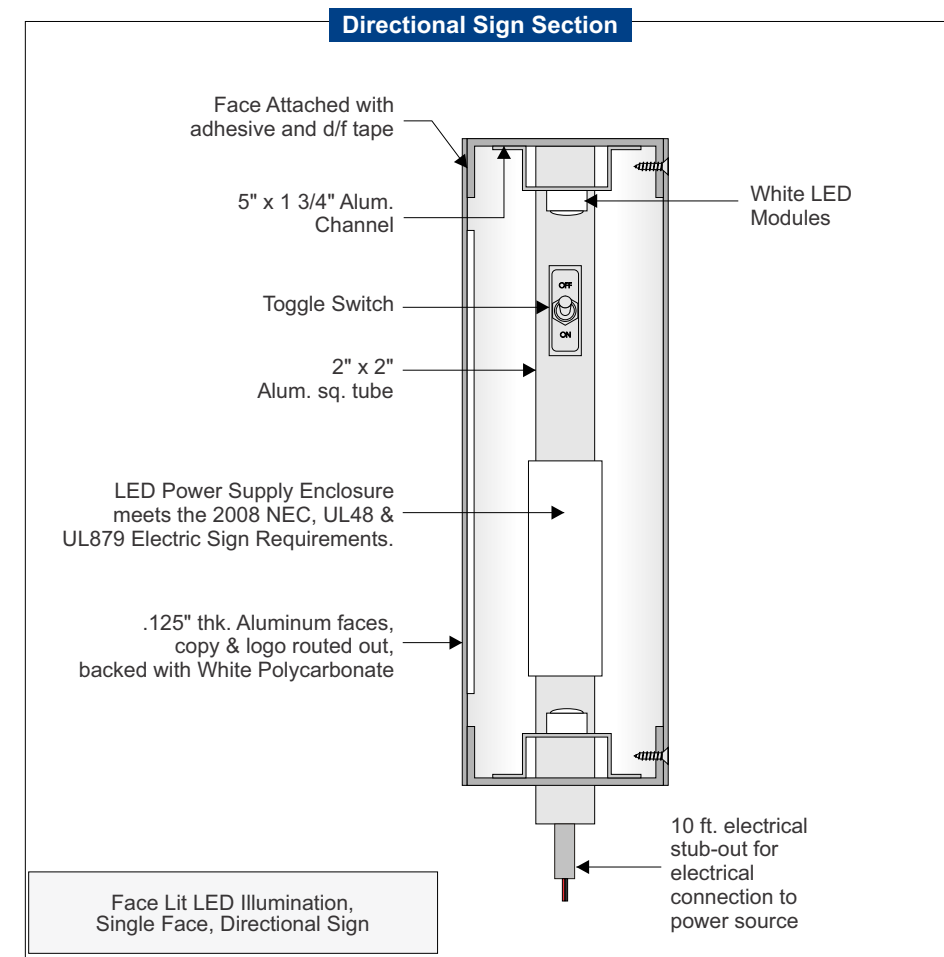
Rear Elevation
Scale: 1"=1'-0"

Color Specifications

- Black
- .177" White Polycarbonate

All paint finishes to be Satin unless otherwise specified

- Face:** .125" thk. Aluminum with copy & logo routed out, backed with 177" thk. White Polycarbonate panels
- Returns:** 5" x 1 3/4" Alum. Channel
- Backs:** .125" thk. Aluminum
- Illum:** White LEDs as required by manufacturer, Self Contained power supply
- Electrical:** Actual # of Circuits to be determined by Licensed Electrical Contractor, (1) 20 AMP Circuit, 120 Volts
- Quantity:** (2) TWO



Allen Industries
Listed Electric Sign Complies with UL48
E212503 CSA C22.2 No.207
THIS SIGN IS INTENDED TO BE INSTALLED IN ACCORDANCE WITH THE REQUIREMENTS OF ARTICLE 600 OF THE NATIONAL ELECTRICAL CODE AND/OR OTHER APPLICABLE LOCAL CODES. THIS INCLUDES PROPER GROUNDING AND BONDING OF THE SIGN.
GROUNDING ELECTRICAL CONNECTIONS

Copyright © 2021 Allen Industries, Inc. This is an original, unpublished drawing, created by Allen Industries, Inc. This drawing is submitted to you in confidence for your use solely in connection with the project being planned for you by Allen Industries, Inc. and is not to be shown to anyone outside your organization, nor used, reproduced, copied or exhibited in any fashion whatsoever. The designs shown on the drawing (except for any registered trademarks that may belong to a client of Allen Industries, Inc.) remain the property of Allen Industries, Inc.

Client: Burger King
Address: Sewell, NJ 08080

Date: 12/3/21
Page #: 14 of 18
File Name: OP029905_Sewell, NJ_200
Sales: House
Design: LB
PM: GR

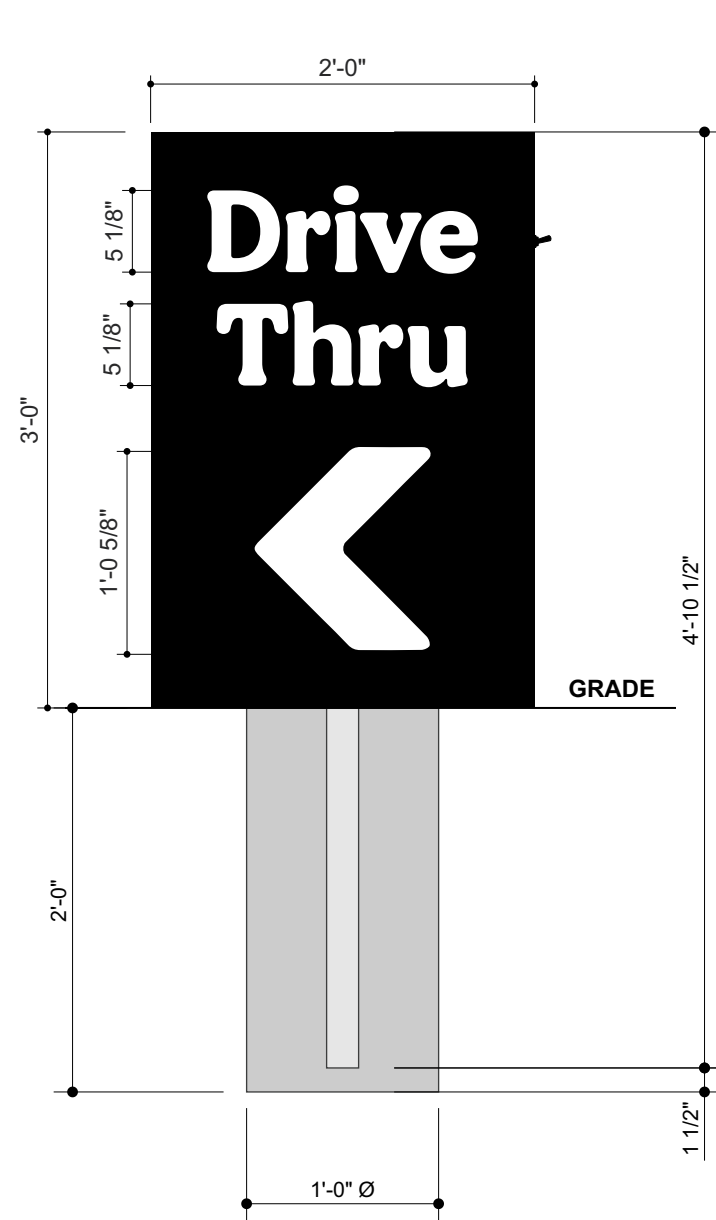
#	Date	Description	Initial
1	—	—	—
2	—	—	—
3	—	—	—
4	—	—	—
5	—	—	—
6	—	—	—

Client Review Status
Allen Industries, Inc. requires that an approved drawing be obtained from the client prior to any production release or production release revision.
Client Signature: _____
Approval Date: _____

Allen Industries
YOUR BRAND AT ITS BEST™
1-800-967-2553
www.allenindustries.com

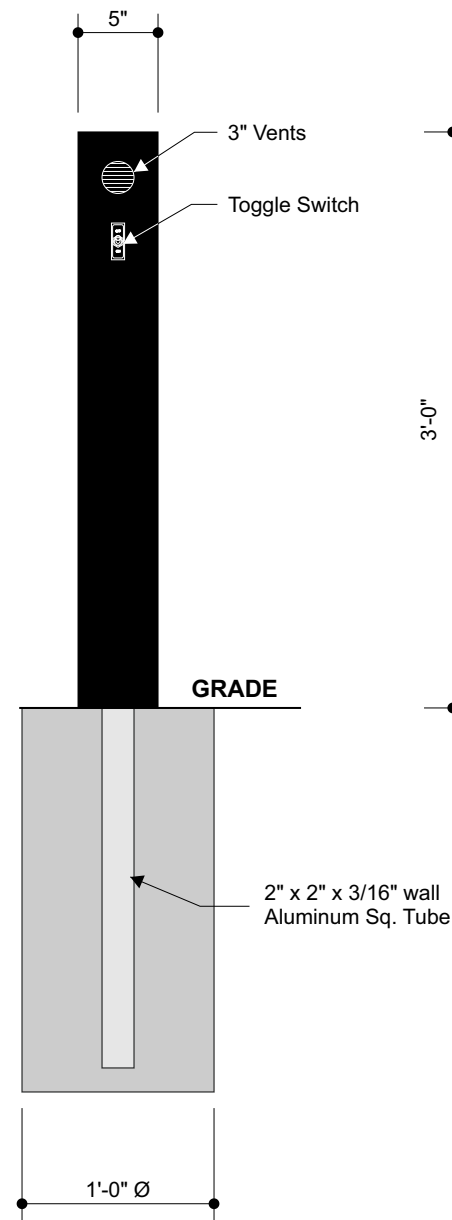
BK Retro Look Bun S/F Directional Sign

BK-RETRO-D6

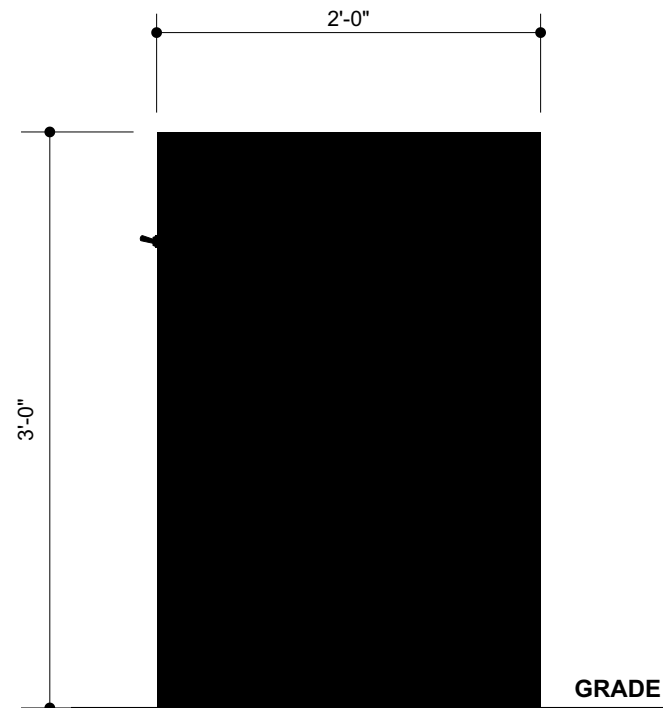


Front Elevation
Scale: 1"=1'-0"

6.0 Sq Ft



Side Elevation
Scale: 1"=1'-0"



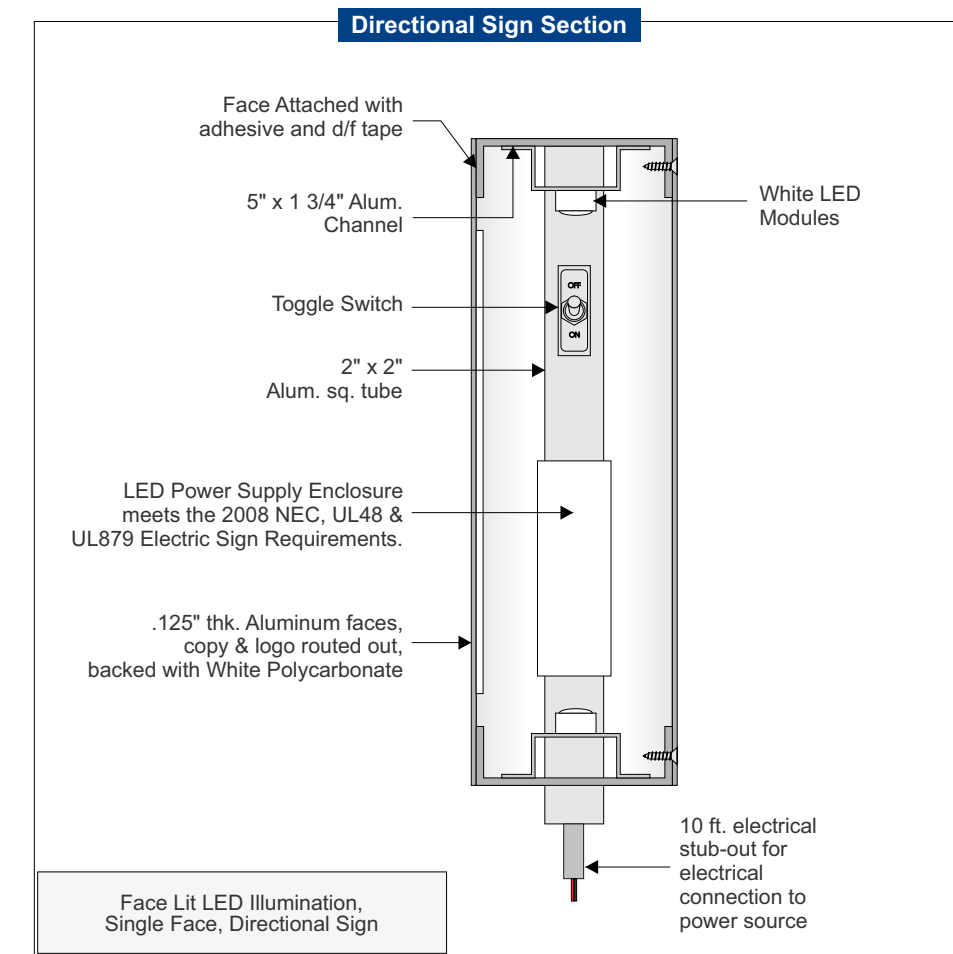
Rear Elevation
Scale: 1"=1'-0"

Color Specifications

- Black
- .177" White Polycarbonate

All paint finishes to be Satin unless otherwise specified

- Face:** .125" thk. Aluminum with copy & logo routed out, backed with 177" thk. White Polycarbonate panels
- Returns:** 5" x 1 3/4" Alum. Channel
- Backs:** .125" thk. Aluminum
- Illum:** White LEDs as required by manufacturer, Self Contained power supply
- Electrical:** Actual # of Circuits to be determined by Licensed Electrical Contractor, (1) 20 AMP Circuit, 120 Volts
- Quantity:** (1) ONE



Face Lit LED Illumination, Single Face, Directional Sign

Client Review Status

Allen Industries, Inc. requires that an approved drawing be obtained from the client prior to any production release or production release revision.

Client Signature: _____ Approval Date: _____

#	Date	Description	Initial
1	—	—	—
2	—	—	—
3	—	—	—
4	—	—	—
5	—	—	—
6	—	—	—

Allen Industries
Listed Electric Sign Complies with UL48
E212503 CSA C22.2 No.207
GROUNDING ELECTRICAL CONNECTIONS

Allen Industries
YOUR BRAND AT ITS BEST™
1-800-967-2553
www.allenindustries.com

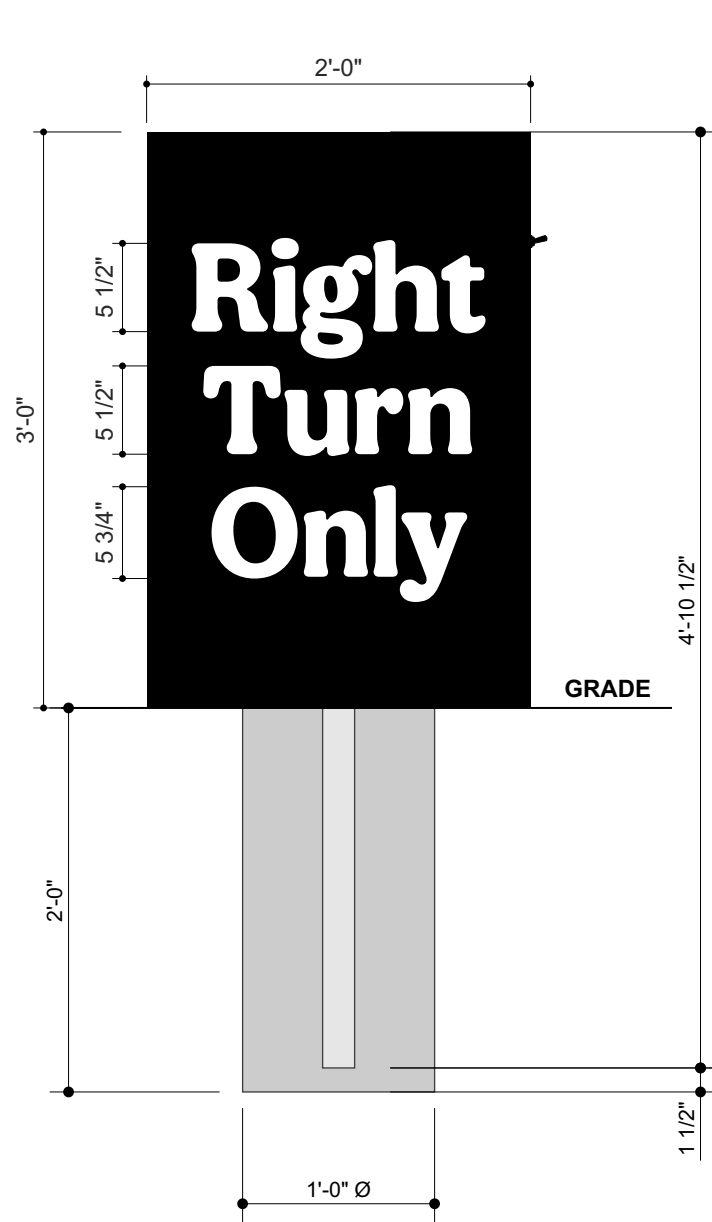
Copyright © 2021 Allen Industries, Inc. This is an original, unpublished drawing, created by Allen Industries, Inc. This drawing is submitted to you in confidence for your use solely in connection with the project being planned for you by Allen Industries, Inc. and is not to be shown to anyone outside your organization, nor used, reproduced, copied or exhibited in any fashion whatsoever. The designs shown on the drawing (except for any registered trademarks that may belong to a client of Allen Industries, Inc.) remain the property of Allen Industries, Inc.

Client: Burger King
Address: Sewell, NJ 08080

Date: 12/3/21 **Page #:** 15 of 18
File Name: OP029905_Sewell, NJ_200
Sales: House **Design:** LB **PM:** GR

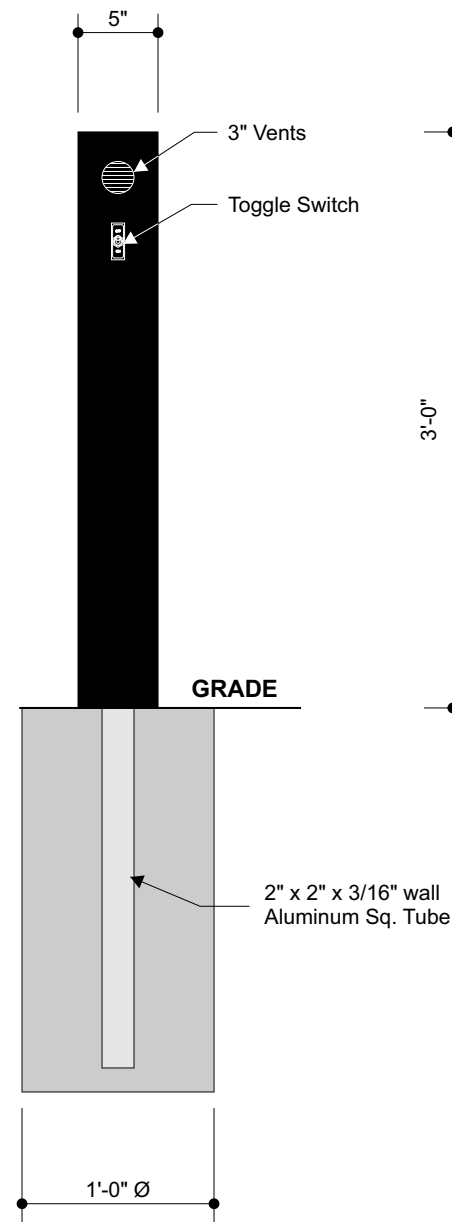
BK Retro Look Bun S/F Directional Sign

BK-RETRO-D6

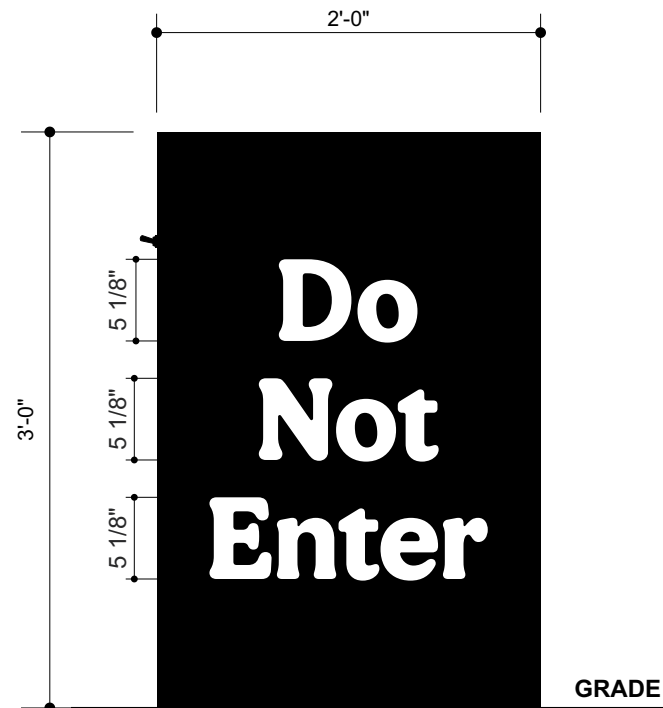


Front Elevation
Scale: 1"=1'-0"

6.0 Sq Ft



Side Elevation
Scale: 1"=1'-0"



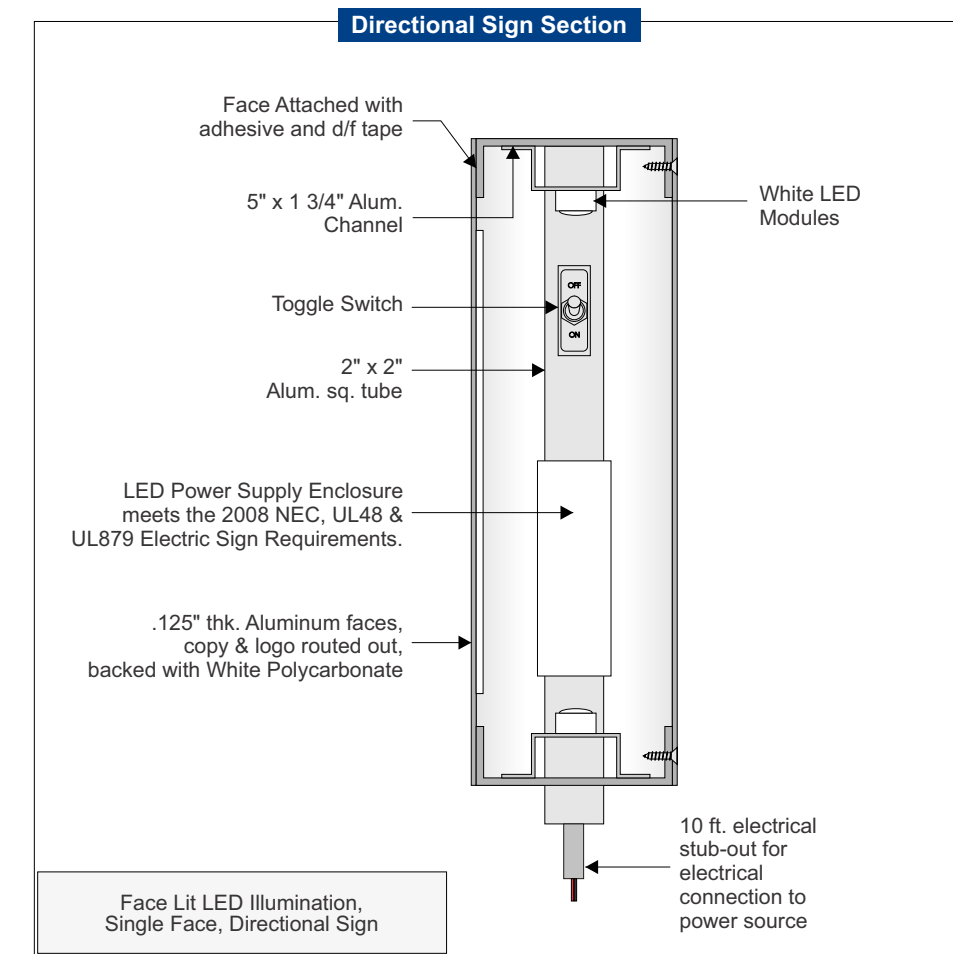
Rear Elevation
Scale: 1"=1'-0"

Color Specifications

- Black
- .177" White Polycarbonate

All paint finishes to be Satin unless otherwise specified

- Face:** .125" thk. Aluminum with copy & logo routed out, backed with 177" thk. White Polycarbonate panels
- Returns:** 5" x 1 3/4" Alum. Channel
- Backs:** .125" thk. Aluminum
- Illum:** White LEDs as required by manufacturer, Self Contained power supply
- Electrical:** Actual # of Circuits to be determined by Licensed Electrical Contractor, (1) 20 AMP Circuit, 120 Volts
- Quantity:** (2) TWO



Allen Industries
Listed Electric Sign Complies with UL48
MET FILE NUMBER: E212503
E212503 CSA C22.2 No.207

THIS SIGN IS INTENDED TO BE INSTALLED IN ACCORDANCE WITH THE REQUIREMENTS OF ARTICLE 600 OF THE NATIONAL ELECTRICAL CODE AND/OR OTHER APPLICABLE LOCAL CODES. THIS INCLUDES PROPER GROUNDING AND BONDING OF THE SIGN.

GROUNDING ELECTRICAL CONNECTIONS

Allen Industries
YOUR BRAND AT ITS BEST™
1-800-967-2553
www.allenindustries.com

Copyright © 2021 Allen Industries, Inc. This is an original, unpublished drawing, created by Allen Industries, Inc. This drawing is submitted to you in confidence for your use solely in connection with the project being planned for you by Allen Industries, Inc. and is not to be shown to anyone outside your organization, nor used, reproduced, copied or exhibited in any fashion whatsoever. The designs shown on the drawing (except for any registered trademarks that may belong to a client of Allen Industries, Inc.) remain the property of Allen Industries, Inc.

Client: Burger King
Address: Sewell, NJ 08080

Date: 12/3/21
Page #: 16 of 18
File Name: OP029905_Sewell, NJ_200
Sales: House
Design: LB
PM: GR

#	Date	Description	Initial
1	—	—	—
2	—	—	—
3	—	—	—
4	—	—	—
5	—	—	—
6	—	—	—

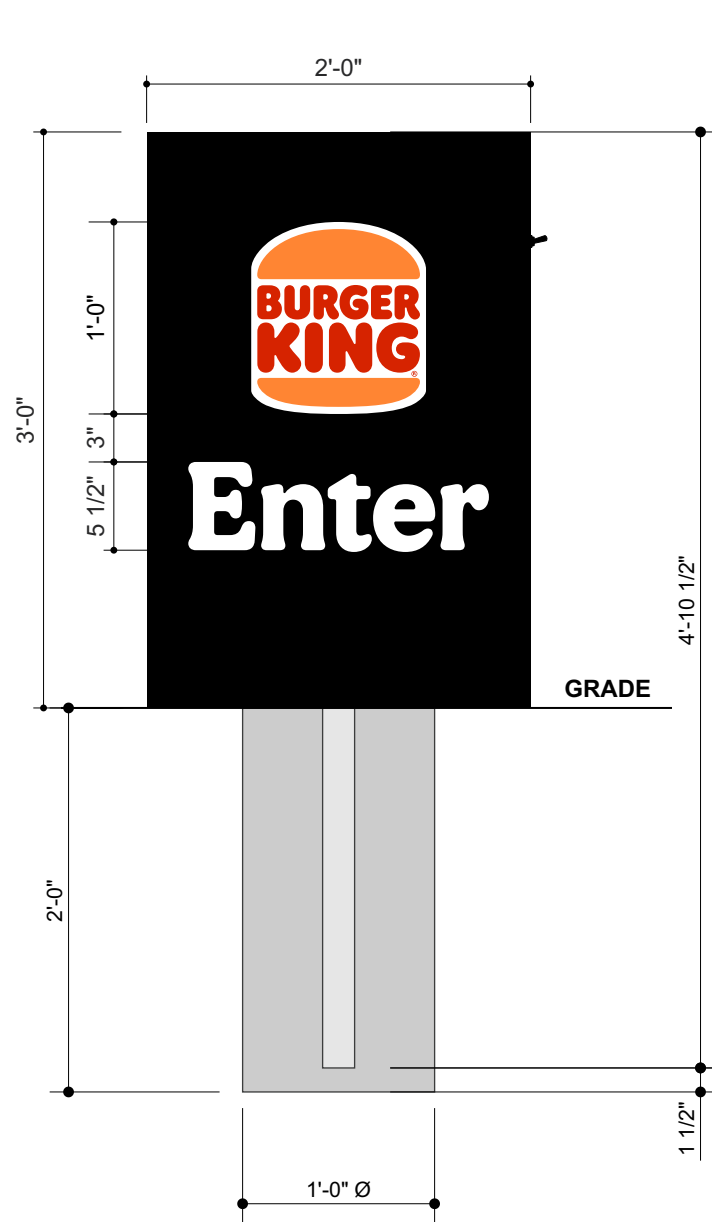
Client Review Status
Allen Industries, Inc. requires that an approved drawing be obtained from the client prior to any production release or production release revision.

Client Signature: _____
Approval Date: _____

NON-STANDARD

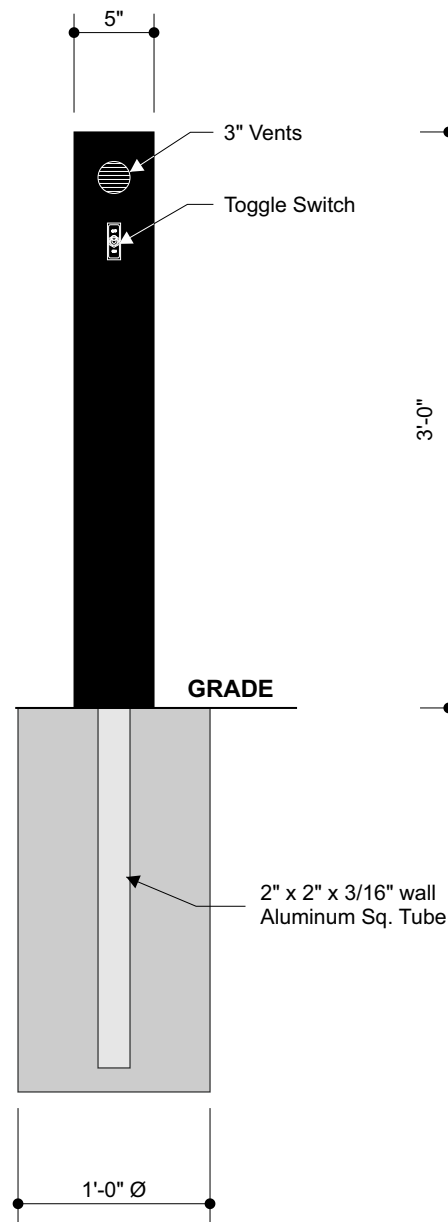
BK Retro Look Bun S/F Directional Sign

BK-RETRO-D6

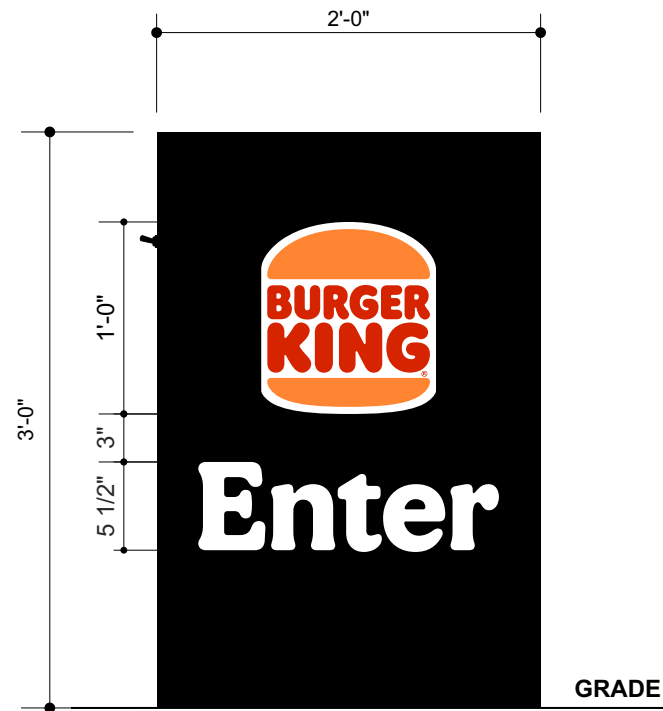


Front Elevation
Scale: 1"=1'-0"

6.0 Sq Ft





Side Elevation
Scale: 1"=1'-0"



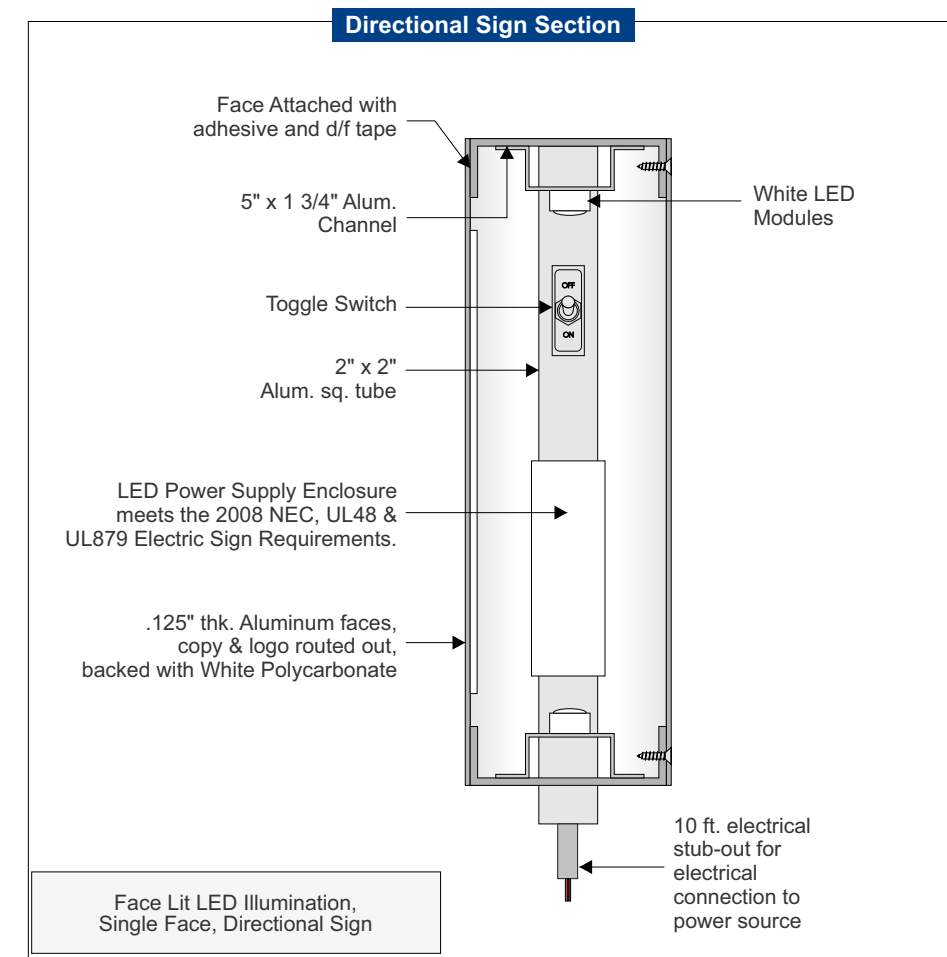
Rear Elevation
Scale: 1"=1'-0"

Color Specifications

-  Black
-  .177" White Polycarbonate

All paint finishes to be Satin unless otherwise specified

- Face:** .125" thk. Aluminum with copy & logo routed out, backed with 177" thk. White Polycarbonate panels
- Returns:** 5" x 1 3/4" Alum. Channel
- Backs:** .125" thk. Aluminum
- Illum:** White LEDs as required by manufacturer, Self Contained power supply
- Electrical:** Actual # of Circuits to be determined by Licensed Electrical Contractor, (1) 20 AMP Circuit, 120 Volts
- Quantity:** (1) ONE



Allen Industries
Listed Electric Sign Complies with UL48
E212503 CSA C22.2 No.207

THIS SIGN IS INTENDED TO BE INSTALLED IN ACCORDANCE WITH THE REQUIREMENTS OF ARTICLE 600 OF THE NATIONAL ELECTRICAL CODE AND/OR OTHER APPLICABLE LOCAL CODES. THIS INCLUDES PROPER GROUNDING AND BONDING OF THE SIGN.

GROUNDING ELECTRICAL CONNECTIONS

Allen Industries
YOUR BRAND AT ITS BEST™
1-800-967-2553
www.allenindustries.com

Copyright © 2021 Allen Industries, Inc. This is an original, unpublished drawing, created by Allen Industries, Inc. This drawing is submitted to you in confidence for your use solely in connection with the project being planned for you by Allen Industries, Inc. and is not to be shown to anyone outside your organization, nor used, reproduced, copied or exhibited in any fashion whatsoever. The designs shown on the drawing (except for any registered trademarks that may belong to a client of Allen Industries, Inc.) remain the property of Allen Industries, Inc.

Client: Burger King
Address: Sewell, NJ 08080

Date: 12/3/21
Page #: 17 of 18
File Name: OP029905_Sewell, NJ_200
Sales: House
Design: LB
PM: GR

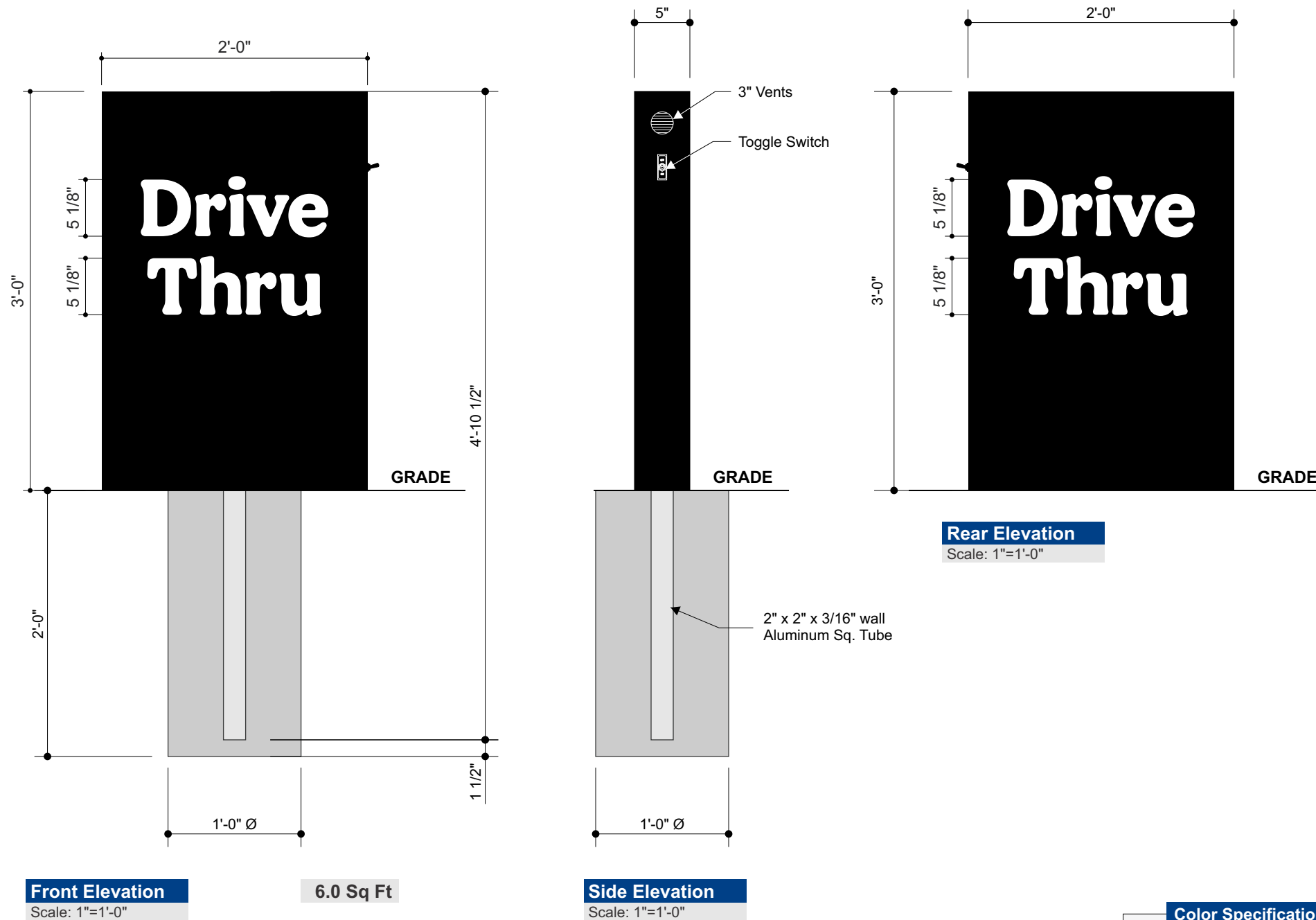
#	Date	Description	Initial
1	—	—	—
2	—	—	—
3	—	—	—
4	—	—	—
5	—	—	—
6	—	—	—

Client Review Status
Allen Industries, Inc. requires that an approved drawing be obtained from the client prior to any production release or production release revision.

Client Signature: _____ **Approval Date:** _____

BK Retro Look Bun S/F Directional Sign

BK-RETRO-D6

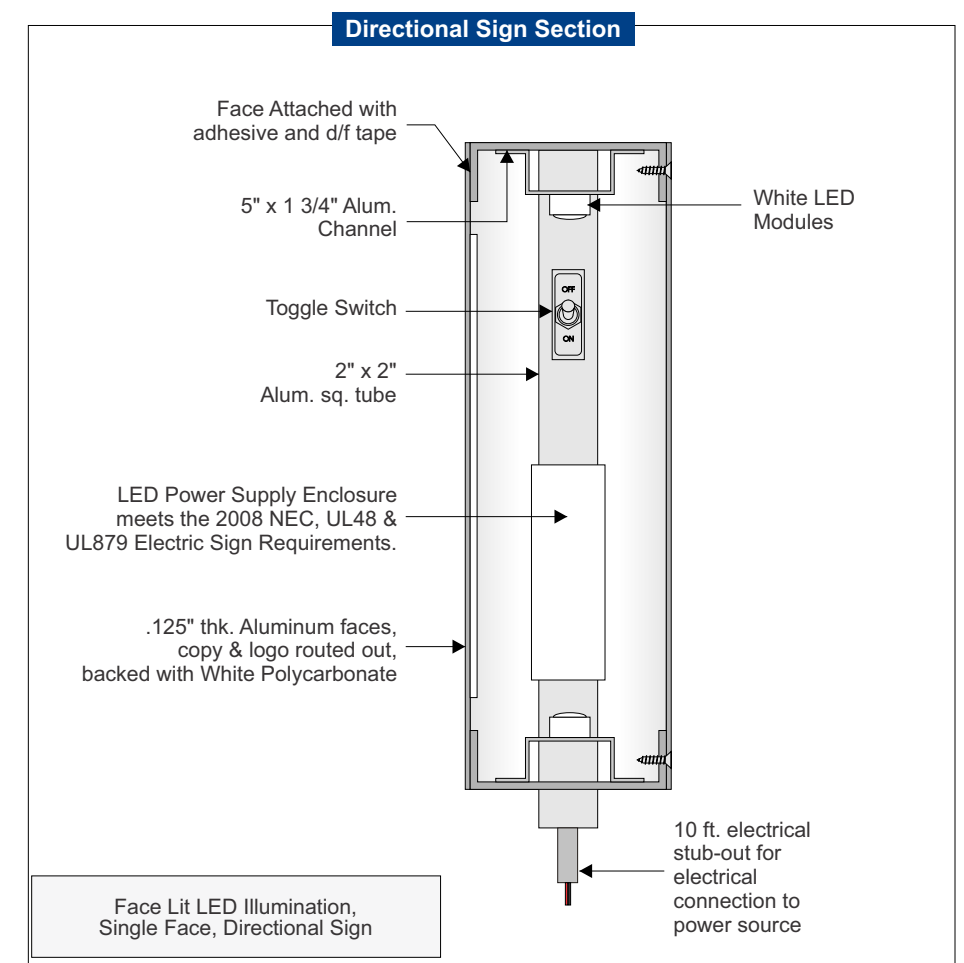


Color Specifications

- Black
- .177" White Polycarbonate

All paint finishes to be Satin unless otherwise specified

- Face:** .125" thk. Aluminum with copy & logo routed out, backed with 177" thk. White Polycarbonate panels
- Returns:** 5" x 1 3/4" Alum. Channel
- Backs:** .125" thk. Aluminum
- Illum:** White LEDs as required by manufacturer, Self Contained power supply
- Electrical:** Actual # of Circuits to be determined by Licensed Electrical Contractor, (1) 20 AMP Circuit, 120 Volts
- Quantity:** (1) ONE



Allen Industries
Listed Electric Sign Complies with UL48
MET E212503 CSA C22.2 No.207

THIS SIGN IS INTENDED TO BE INSTALLED IN ACCORDANCE WITH THE REQUIREMENTS OF ARTICLE 600 OF THE NATIONAL ELECTRICAL CODE AND/OR OTHER APPLICABLE LOCAL CODES. THIS INCLUDES PROPER GROUNDING AND BONDING OF THE SIGN.

GROUNDING ELECTRICAL CONNECTIONS

Allen Industries
YOUR BRAND AT ITS BEST™
1-800-967-2553
www.allenindustries.com

Copyright © 2021 Allen Industries, Inc. This is an original, unpublished drawing, created by Allen Industries, Inc. This drawing is submitted to you in confidence for your use solely in connection with the project being planned for you by Allen Industries, Inc. and is not to be shown to anyone outside your organization, nor used, reproduced, copied or exhibited in any fashion whatsoever. The designs shown on the drawing (except for any registered trademarks that may belong to a client of Allen Industries, Inc.) remain the property of Allen Industries, Inc.

Client: Burger King
Address: Sewell, NJ 08080

Date: 12/3/21
Page #: 18 of 18
File Name: OP029905_Sewell, NJ_200
Sales: House
Design: LB
PM: GR

#	Date	Description	Initial
1	—	—	—
2	—	—	—
3	—	—	—
4	—	—	—
5	—	—	—
6	—	—	—

Client Review Status
Allen Industries, Inc. requires that an approved drawing be obtained from the client prior to any production release or production release revision.

Client Signature: _____ Approval Date: _____