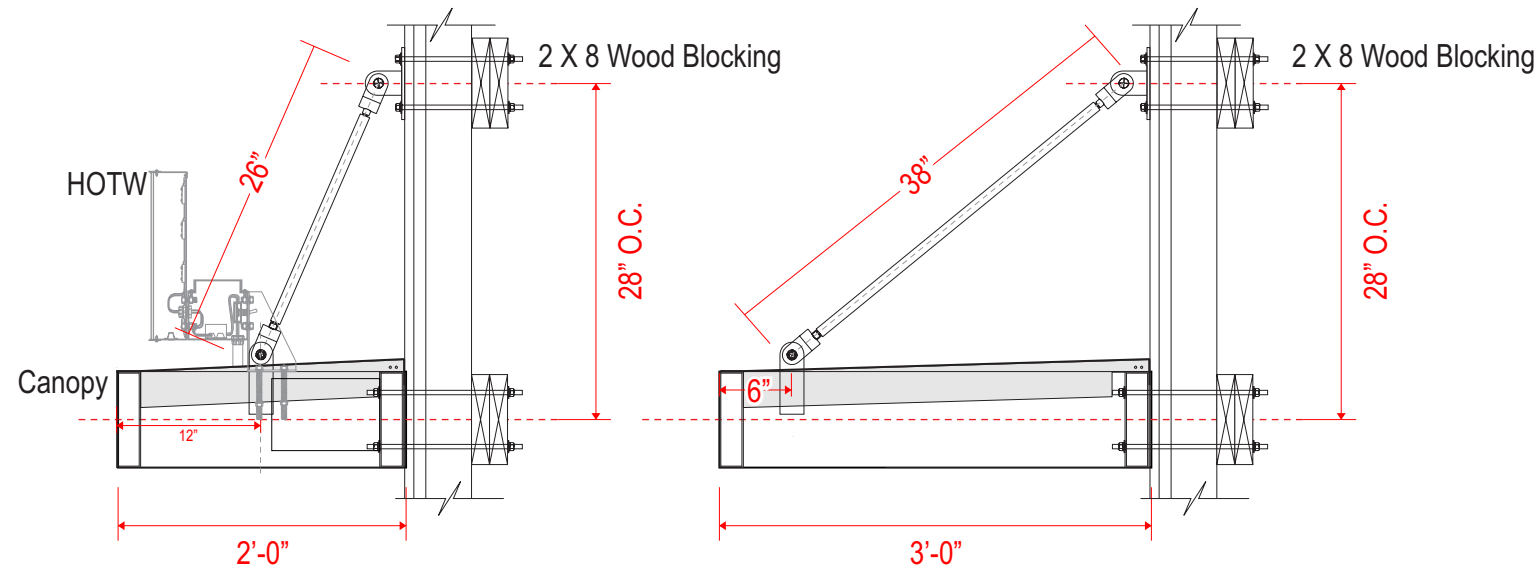


**24" to 36"**  
**Covered or Open Canopy**  
**(Includes "Home of the Whopper")**

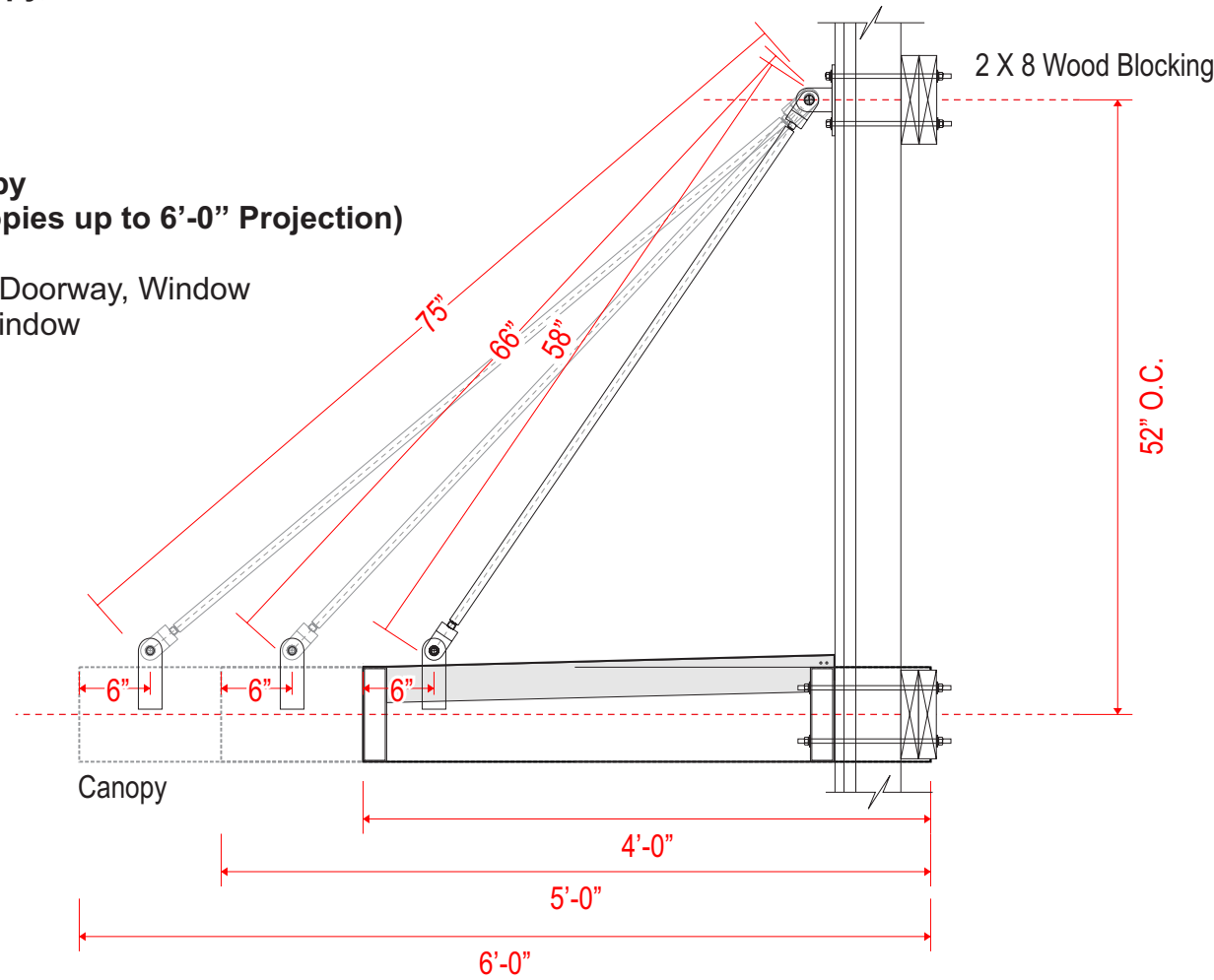
Installed over a fixed window and attached to the "Home of the Whopper" on the wall beside the Main Entry Doors.

**Note:**  
**Tie-Back Placement Guidelines**  
**are shown for typical Wall Bracket**  
**Placement.**  
**The BK Building Elevations vary**  
**and may require specific height above**  
**the canopy due to low wall clearance**  
**above the canopy, or wall construction**  
**obstacles.**

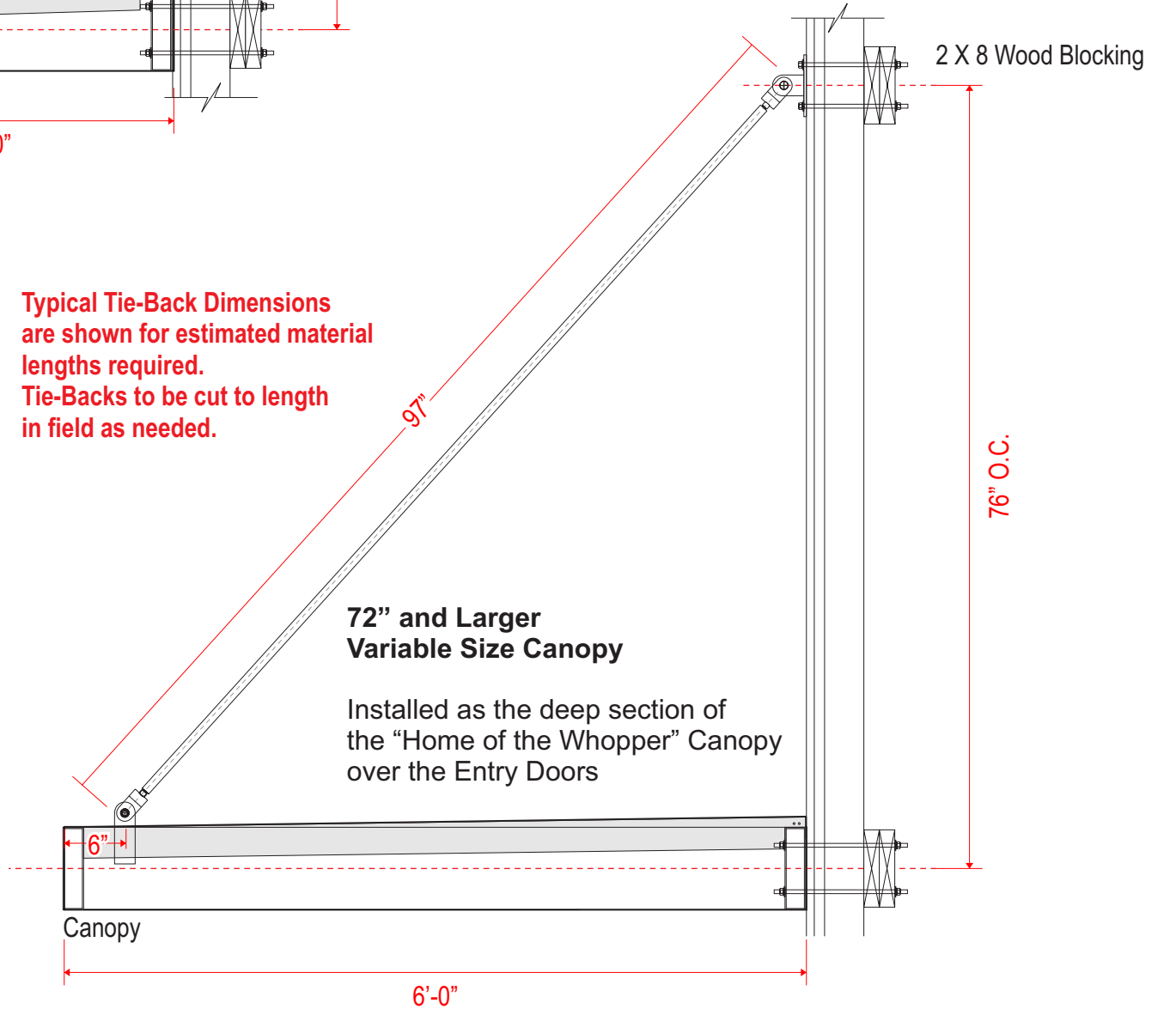


**48" to 72"**  
**Covered Canopy**  
**(Includes Canopies up to 6'-0" Projection)**

Installed over a Doorway, Window or Drive Thru Window



**Typical Tie-Back Dimensions**  
**are shown for estimated material**  
**lengths required.**  
**Tie-Backs to be cut to length**  
**in field as needed.**



Scale 3/4" = 1'-0"



**Client Review Status**

Allen Industries, Inc. requires that an "Approved" drawing be obtained from the client prior to any production release or production release revision.  
 Approved  Approved as Noted  Revise & Resubmit  
 Name \_\_\_\_\_  
 Title \_\_\_\_\_ Date \_\_\_\_\_

**Declaration**

**Copyright © 2018 Allen Industries, Inc.**  
 This is an original, unpublished drawing, created by Allen Industries, Inc. This drawing is submitted to you in confidence for your use solely in connection with the project being planned for you by Allen Industries, Inc. and is not to be shown to anyone outside your organization, nor used, reproduced, copied or exhibited in any fashion whatsoever. The designs shown on the drawing (except for any registered trademarks that may belong to client of Allen Industries, Inc.) remain the property of Allen Industries, Inc.

**Date / Description**

09/005/18	Issue Date
1	
2	
3	
4	

**Project Information**

Client **Burger King**  
**Canopy Master Drawings**  
 File **BK Canopy Masters**  
 Sales **House** Design **SPN** PM **Anne Wangsness**