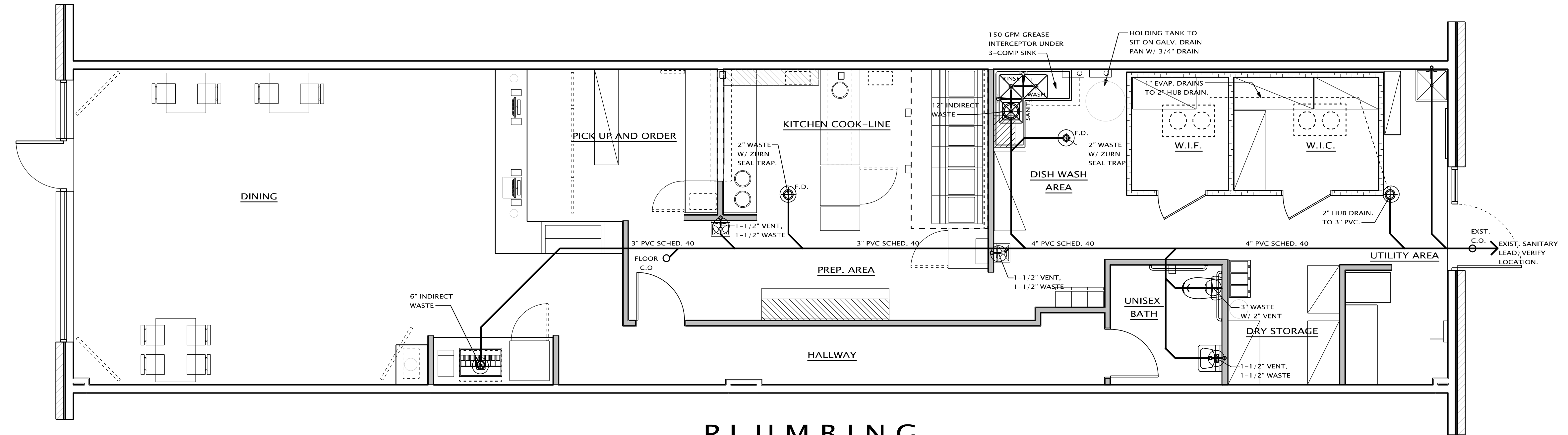
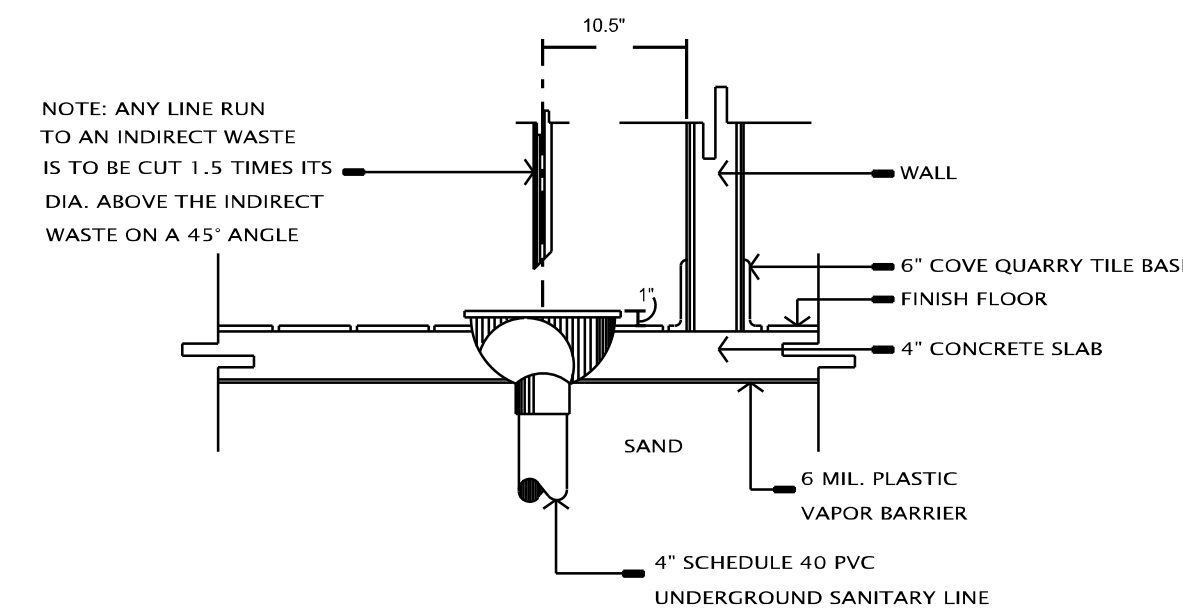


PLUMBING EQUIPMENT SCHEDULE						
QTY.	DESCRIPTION	DRAINAGE	WATER TAP	GAS	VENT	ELECTRICAL
1	150 GPM GREASE INTERCEPTOR BY ZURN (Z1172)	4" PVC INLET & OUTLET	N/A	N/A	N/A	N/A

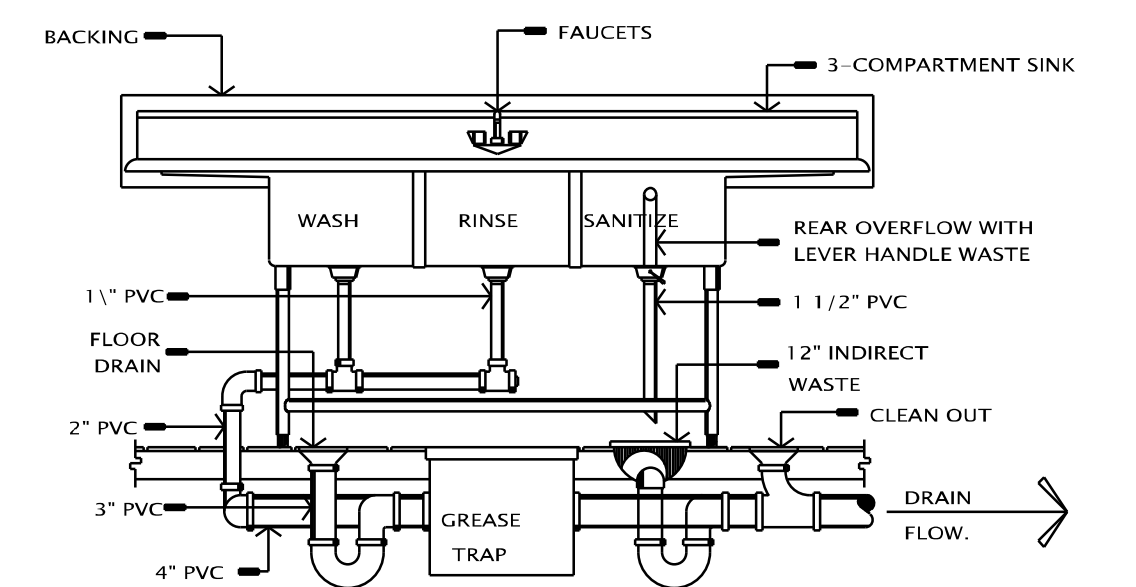


PLUMBING SANITARY PLAN

SCALE: 1/4" = 1'-0"



INDIRECT WASTE NOTE:
EQUIPMENT THAT HOLDS EDIBLE FOOD, PORTABLE DRINK/ WATER, & CLEANING UTENSILS SHALL HAVE AN INDIRECT WASTE. DRAIN LINES FROM FOOD SERVICE EQUIPMENT & EQUIPMENT INSIDE CABINETS SEALED TO THE FLOOR SHALL HAVE AN APPROVED INDIRECT WASTE. THE DRAIN SHALL TERMINATE AT LEAST (2) PIPE DIAMETERS ABOVE THE FLOOD LEVEL OF THE DRAIN AND FOR THOSE IN CABINETS SHALL TERMINATE (2) PIPE DIAMETERS ABOVE THE INTERIOR BASE SHELF OF THE CABINET OR ESTABLISHED FLOOD LEVEL, NOT LESS THAN 1".



PLUMBING SYMBOLS	
GARBAGE DISPOSAL	
12" INDIRECT WASTE	
6" INDIRECT WASTE	
FLOOR DRAIN	
FLOOR CLEAN OUT	
GREASE INTERCEPTOR	
VENT	
SANT. UNDER GROUND PVC SCHED 40	
SANT. UNDER GROUND PVC SCHED 40 TO GREASE INTERCEPTOR	
EVAP. FAN ABOVE	

NOTES TO PLUMBER
1. PVC SCHEDULE 40 SHALL BE USED FOR ALL UNDER-FLOOR PLUMBING.

THE IDEAS AND DESIGN CONCEPTS EXPRESSED HEREIN AND THE GRAPHICALLY DISPLAYED ARRANGEMENT OF THEIR COMPONENTS REPRESENTED BY THIS DRAWING HAVE BEEN DEVELOPED FOR THE EXCLUSIVE USE OF THE SPECIFIED PROJECT AND ARE THE SOLE PROPERTY OF JMP Design & Build, Inc. INCORPORATED. A CONVEYANCE OR DISCLOSURE OF THE IDEAS DESIGN CONCEPTS OR USE OF ANY GRAPHICALLY DISPLAYED ARRANGEMENTS OF THE COMPONENTS SHALL BE AT THE DISCRETION AND ONLY THROUGH THE EXPRESSED WRITTEN CONSENT OF JMP Design & Build, Inc. ALL MATERIALS HEREIN ARE PROPRIETARY AND COPYWRITTEN

ARCHITECTURAL SEAL

PROJECT

BUILDER/CLIENT
WING SNOB

PRELIMINARY ○
CONSTRUCTION ●
PERMIT ●

SHEET TITLE:
PLUMBING SANITARY PLAN

DATE: 01-17-2022
02-28-2022
03-03-2022

DRAWN BY:
J.M.P.

CHECKED BY:
J.M.P.

JOB NUMBER:
22 - 110

SHEET NUMBER: