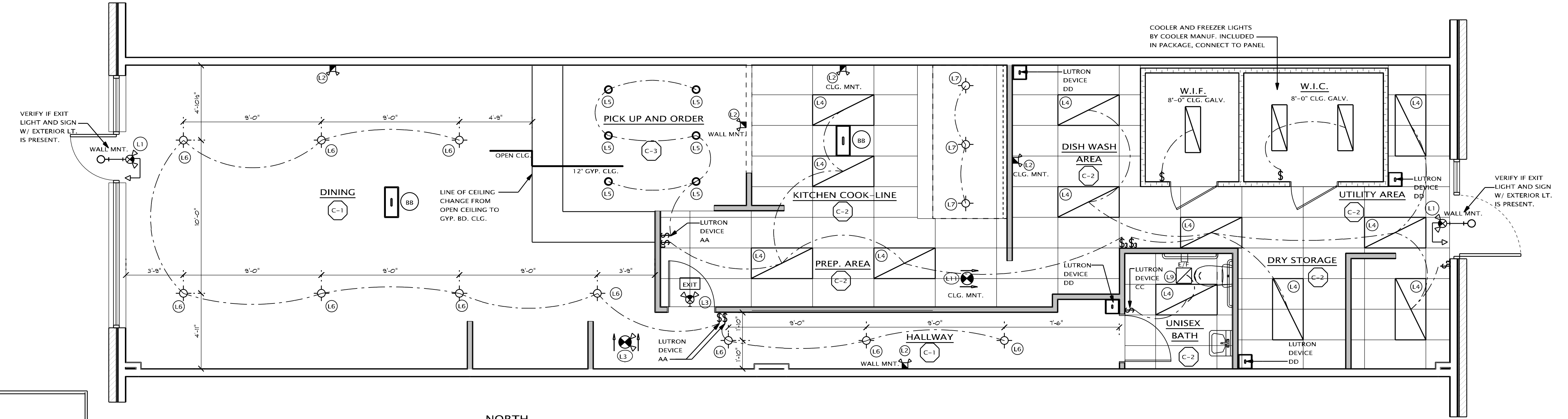
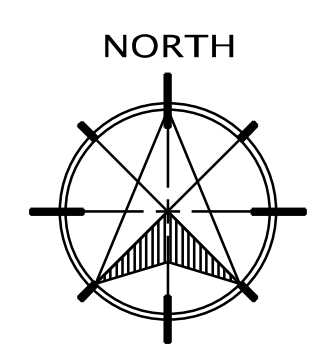


THE IDEAS AND DESIGN CONCEPTS EXPRESSED HEREIN AND THE GRAPHICALLY DISPLAYED ARRANGEMENT OF THEIR COMPONENTS REPRESENTED BY THIS DRAWING HAVE BEEN DEVELOPED FOR THE EXCLUSIVE USE OF THE SPECIFIED PROJECT AND ARE THE SOLE PROPERTY OF JMP Design & Build, Inc. INCORPORATED. A CONVEYANCE OR DISCLOSURE OF THE IDEAS DESIGN CONCEPTS OR USE OF ANY GRAPHICALLY DISPLAYED ARRANGEMENTS OF THE COMPONENTS SHALL BE AT THE DISCRETION AND ONLY WITH THE WRITTEN CONSENT OF JMP Design & Build, Inc. ALL MATERIALS HEREIN ARE PROPRIETARY AND COPYRIGHTED ARCHITECTURAL SEAL

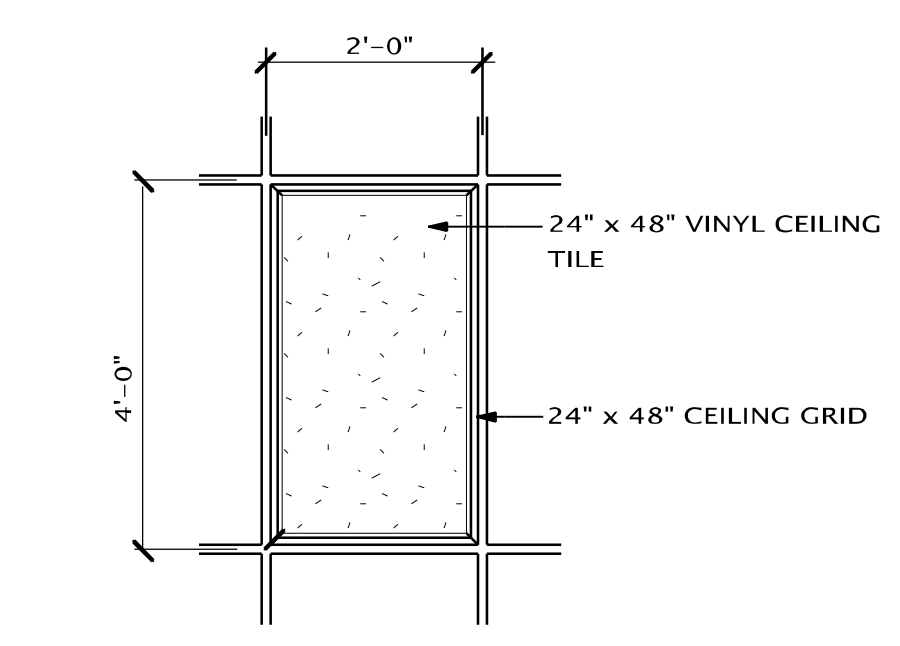


ELECTRICAL SYMBOL LIST	
SYMBOL	DESCRIPTION
	RECESSED FLUORESCENT FIXTURE
	FIXTURE ON NIGHT LIGHT/EMERGENCY CIRCUIT
	SURFACE INCANDESCENT, HID OR FLUORESCENT FIXTURE
	EXIT LIGHT - CEILING MOUNTED
	EXIT LIGHT - WALL MOUNTED
	EXIT LIGHT - WALL MOUNTED WITH A REMOTE UP HEAD
	EMERGENCY LIGHT - WALL, CEILING
	COMBINATION EMERGENCY/EXIT LIGHT - WALL MOUNTED WITH A REMOTE UP HEADMOUNT 12" BELOW CEILING
	SINGLE POLE SWITCH
	THREE WAY SWITCH
	FOUR WAY SWITCH
	DIMMER SWITCH
	DUPLEX RECEPTACLE OUTLET (C - INDICATES SOFFIT/CEILING MTD)
	QUAD RECEPTACLE OUTLET
	SINGLE RECEPTACLE OUTLET
	TEL/DATA (COMPUTER) OUTLET
	MANUAL STARTER - THERMAL TYPE MOTOR PROTECTION SWITCH
	THREE PHASE MOTOR
	SINGLE PHASE MOTOR
	LIGHTING /RECEPTACLE PANEL
	DISTRIBUTION PANEL
	JUNCTION BOX (C-INDICATES ABOVE CEILING)
	LIGHTING CONTACTOR
	TRANSFORMER
	DISCONNECT SWITCH - FUSED
	DISCONNECT SWITCH - NON FUSED
	COMBINATION STARTER/DISCONNECT SWITCH - FUSED
	FIRE ALARM AUDIO/VISUAL HORN
	FIRE ALARM VISUAL
	FIRE ALARM PULL STATION
	FIRE ALARM CONTROL PANEL
	G.F.I. GROUND FAULT INTERRUPTER
	WP WEATHER PROOF
	AFF ABOVE FINISHED FLOOR
	N.L., EM NIGHT LIGHT / EMERGENCY LIGHT
	EWC ELECTRICAL WATER COOLER
	E.C ELECTRICAL CONTRACTOR
	DECO DETROIT EDISON COMPANY
	E EXISTING TO REMAIN
	R RELOCATED ELECTRICAL EQUIPMENT/DEVICE
	UNO UNLESS NOTED OTHERWISE



## REFLECTIVE CEILING PLAN

SCALE: 1/4" = 1'-0"



**CEILING TILE DETAIL**  
N.T.S.

ILLUMINATION DEVICES TO MEET ASHRAE 90.1 (UNIFORM MICH. ENERGY CODE)	
AA	DINING SWITCH: 2 BUTTON W/ RAISE/LOWER AND LIGHT ICON PICO KEYPAD: PZ2-2BRL-GWH-L01
BB	OVERHEAD OCCUPANCY SENSOR: RADIO POWER SAVOR WIRELESS CEILING OCCUPANCY SENSOR. LRF2-OCR2B-P (CONNECT TO DIMMER SWITCH)
CC	BATHROOM/UTILITY SWITCH: 120 V, SA MASSTRO SWITCH WITH XCT. PIR OCCUPANCY AND VANCANCY SENSOR, SINGLE-POLE/ MUL LOCATION: MS-OP55M-WH
DD	CORNER OCCUPANCY SENSOR: RADIO POWER SAVOR WIRELESS WALL MOUNTED OCCUPANCY SENSOR: LRF2-OKLB-P-WH (CONNECT TO DIMMER SWITCH)

ALL LIGHTING CONTROLS, SENSOR, AND OCCUPIED ROOMS TO MEET UNIFORM ENERGY CODE AND MEET ASHRAE 90.1

LIGHTING FIXTURE SCHEDULE		
MARK	DESCRIPTION	MOUNTING
L1	EXIST. COMBO EXIT SIGN AND EM LIGHT "BARRON EXITRONIX" VLED-EL-90. 120V 1.1 WATTS FOR EXIT DOORS. USE IN CONJUNCTION WITH (CLEED WP). WITH 90 MIN. BATT. BACK UP	EXIST. WALL MOUNT ABOVE DOOR
L2	NEW EMERGENCY LIGHT "BARRON EXITRONIX" LLS0H-6 25 WATT WHITE 120 V W/ 90 MIN. BATTERY BACK UP	WALL MOUNT HIGH ON WALL 9'-0" A.F.F.
L3	NEW COMBO EXIT SIGN AND EM LIGHT "BARRON EXITRONIX" VLED-EL-90. 120V 1.1 WATTS	CEILING
L4	NEW 24"x48" FLUORESCENT TROFFER "LSI INDUSTRIES" WL A125 3 32WATT GRA SSOR-T8 F UE	10 FT. CLG. MNT.
L5	6" RECESS CAN LIGHT LED 32 WATT, BLACK TRIM (LENS COVER)	12 FT. CLG. MNT.
L6	RAVENSPORET 8"x8" BLACK WIRE PENDANT SHADE, 60 WATT ST19 DIM.	RECESSED 9'-9" A.F.F.
L7	EXIST. INCANDESCENT LIGHT, 120 VOLT FURNISHED BY HOOD SUPPLIER	HOOD CLG.
L8	EXIST. IN-HOOD EXHAUST FAN	HOOD CLG.
L9	NEW "BROAN" EXHAUST FAN, 75 CFM	CEILING
L11	EXIT SIGN DIRECTIONAL (LSD) ELXU6R1CFWBBL 90 MIN. BAT. BACKUP	RECESSED 9'-9" A.F.F. RECESSED 11'-6" A.F.F. RECESSED 11'-6" A.F.F.

PATCH & REPAIR EXIST. CEILING GRID WHERE NECESSARY. MATCH EXIST. GRID/CEILING TILE/VERIFY W/ OWNER

EXIST. LIGHTING/FANS TO BE REMOVED REUSE EXIST. ELECTRICAL CIRCUITS FOR NEW LIGHTING FIXTURES (TYP.)

CEILING FINISHES	
MARK	DESCRIPTION
C-1	OPEN CEILING, EXPOSED METAL ROOF JOIST. PAINTED WITH DRY-FALL BLACK PAINT. WALLS TO BE PAINTED WITH BLACK FROM TOP OF CEILING DOWN TO THE DEPTH OF JOIST.
C-2	24"x48" VINYL CEILING TILE (WHITE) W/ 15/16" CEILING GRID (WHITE) 10'-0" A.F.F.
C-3	1/2" CYP. BD. CEILING PRIMED AND PAINTED. 12'-0" A.F.F.

**NOTE:**  
EXIT AND EMERGENCY LIGHTING

ALL EXITS AND EXIT ACCESS DOORS SHALL BE MARKED BY AN APPROVED EXIT SIGN READILY VISIBLE FROM ANY DIRECTION OF EGRESS TRAVEL. DIRECTIONAL EXIT SIGNS SHALL BE REQUIRED WHERE THE PATH OF EGRESS IS NOT IMMEDIATELY VISIBLE TO THE OCCUPANTS. (MBC & IFC CHAPTER 10, MEANS OF EGRESS)

EMERGENCY LIGHTING SHALL BE PROVIDED FOR THE MEANS OF EGRESS IN ACCORDANCE WITH THE MICHIGAN BUILDING CODE & THE INTERNATIONAL FIRE CODE CHAPTER 10, MEANS OF EGRESS.

**LIGHTING NOTES**

- VERIFY ALL PHONE OUTLETS, CABLE OUTLETS, ELECTRICAL OUTLETS AND SWITCH LOCATIONS W/ OWNER
- STORAGE BATTERIES SHALL BE STORED ON-SITE.
- EMERGENCY LIGHTING SHALL HAVE MIN. OF 1 FOOT CANDLE FOR EGRESS AT FLOOR LEVEL (11 LUX)
- ALL ELECTRICAL OUTLETS, SWITCHES AND OTHER CONTROLS SHALL BE ACCESSIBLE.
- LIGHTING SHALL PROVIDE A MIN. OF 10 FOOT CANDLES FROM 30" A.F.F.

PROJECT

WING SNOB  
3415 E. SAGINAW SUITE D  
LANSING, MI 48912

BUILDER/CLIENT  
WING SNOB

PRELIMINARY ○  
CONSTRUCTION ●  
PERMIT ●

SHEET TITLE:  
REFLECTIVE CEILING PLAN

DATE: 01-17-2022  
02-28-2022  
03-03-2022

DRAWN BY: J.M.P.  
CHECKED BY: J.M.P.  
JOB NUMBER: 22 - 110  
SHEET NUMBER: E-2