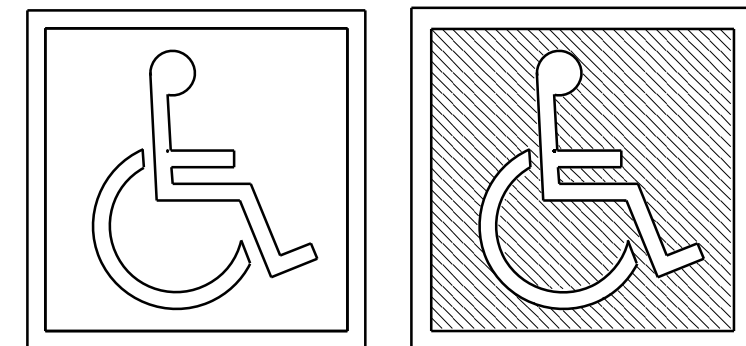
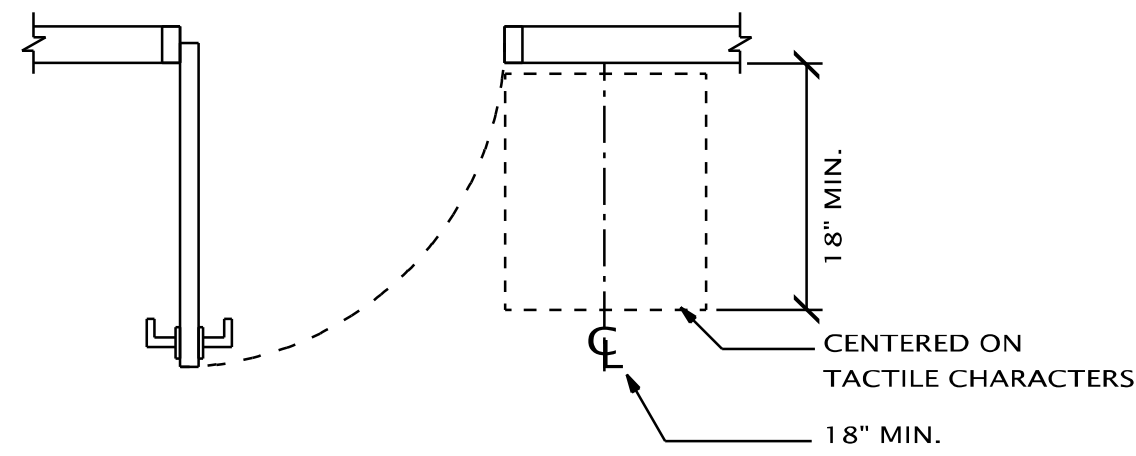


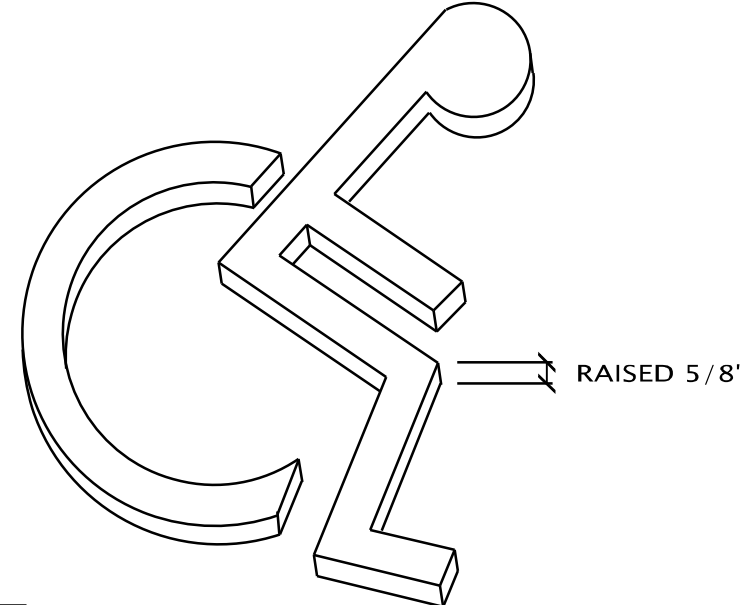
### BRAILLE MOUNTING HEIGHTS

BRAILLE SHALL BE 48" MIN. AND 60" MAXIMUM ABOVE THE FLOOR, MEASURED TO THE BASELINE OF THE BRAILLE CELLS.

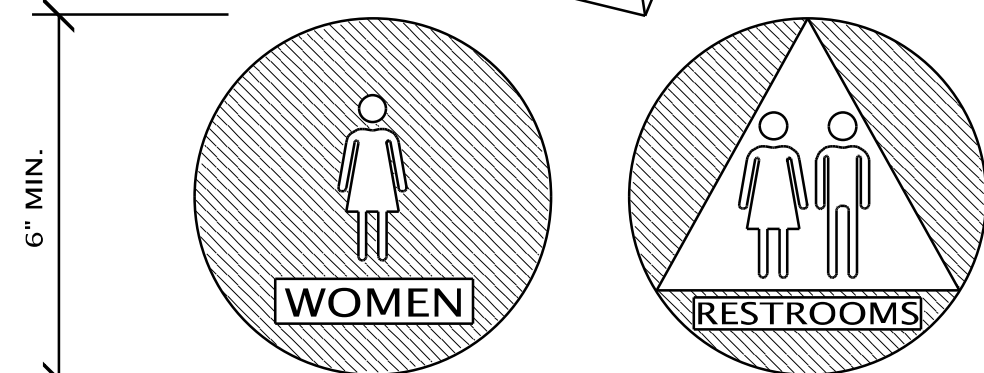
BRAILLE SHALL BE BELOW THE CORRESPONDING TEXT. IF THE TEXT IS MULTILINED, BRAILLE SHALL BE PLACED BELOW ENTIRE TEXT. BRAILLE SHALL BE SEPARATED 3/8" MIN. FROM ANY OTHER TACTILE CHARACTERS AND 3/8" MIN. FROM RAISED BORDERS AND DECORATIVE ELEMENTS.



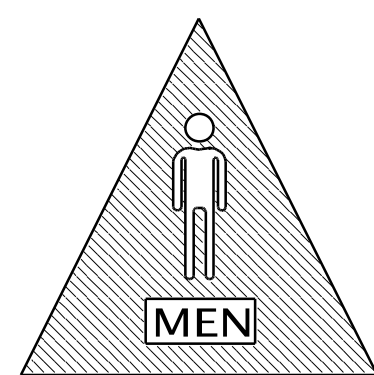
INTERNATIONAL ACCESSIBILITY SYMBOL



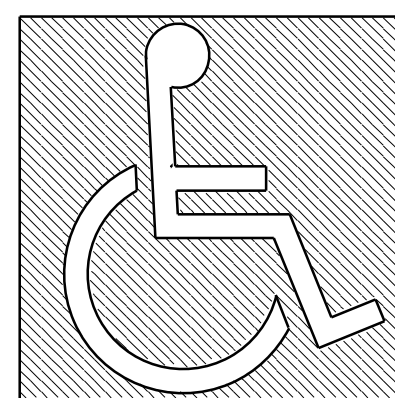
RAISED 5/8"



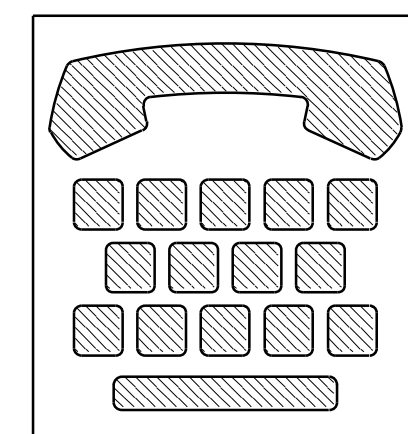
6" MIN.



INTERNATIONAL TDD SYMBOL



INTERNATIONAL SYMBOL OF ACCESS FOR THE HEARING EMPIAIED



INTERNATIONAL SYMBOL OF ACCESS FOR THE HEARING EMPIAIED

### SIGNS / PICTOGRAMS

SCALE: N.T.S.

### LETTERS AND NUMBERS:

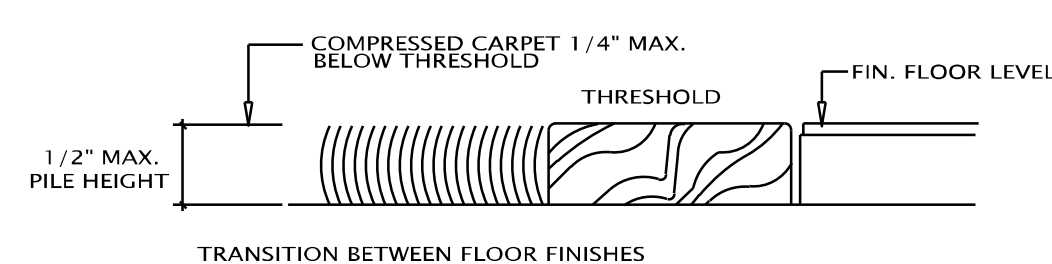
- LETTERS AND NUMBERS ON SIGNS SHALL BE RAISED 1/32" MINIMUM AND SHALL BE SANS-SERIF UPPERCASE CHARACTERS ACCOMPANIED BY GRADE 2 BRAILLE. (SEC. 1117B.5.6.1)
- RAISED CHARACTERS OR SYMBOLS SHALL BE A MINIMUM OF 5/8" HIGH. (SEC. 1117B.6.2)
- PICTORIAL SYMBOL SIGNS (PICTOGRAMS) SHALL BE ACCOMPANIED BY THE EQUIVALENT VERBAL DESCRIPTION PLACED DIRECTLY BELOW THE PICTOGRAM. THE BORDER DIMENSION OF THE PICTOGRAM SHALL BE A MINIMUM OF 6" IN HEIGHT. (SEC. 1117B.5.6.3)
- LETTERS AND NUMBERS ON SIGNS SHALL HAVE A WIDTH-TO-HEIGHT RATIO OF BETWEEN 3:5 AND 1:1 AND A STROKE WIDTH-TO-HEIGHT RATIO BETWEEN 1:5 AND 1:10. (SEC. 1117B.5.3)
- CHARACTERS AND SYMBOLS SHALL CONTRAST WITH THEIR BACKGROUND, EITHER LIGHT CHARACTERS ON A DARK BACKGROUND OR DARK CHARACTERS ON A LIGHT BACKGROUND. (SEC. 1117B.5.5)
- CHARACTERS AND NUMBERS ON SIGNS SHALL BE SIZED ACCORDING TO THE VIEWING DISTANCE FROM WHICH THEY ARE TO BE READ. THE MINIMUM HEIGHT IS MEASURED USING AN UPPER CASE X. LOWER CASE CHARACTERS ARE PERMITTED. FOR SIGNS SUSPENDED OR PROJECTED ABOVE THE FINISH FLOOR IN COMPLIANCE WITH SECTION 1121B, THE MINIMUM CHARACTER HEIGHT SHALL BE 3". (SEC. 1117B.5.4)
- CONTRACTED GRADE 2 BRAILLE SHALL BE USED WHEREVER BRAILLE SYMBOLS ARE SPECIFICALLY REQUIRED IN OTHER PORTIONS OF THESE REGULATIONS. DOTS SHALL BE 1/10" ON CENTERS IN EACH CELL WITH 2/10" SPACE BETWEEN CELLS. DOTS SHALL BE RAISED A MINIMUM OF 1/40" ABOVE THE BACKGROUND. (SEC. 1117B.5.2)
- SIGN LOCATIONS:**
  - ALL BUILDING ENTRANCES THAT ARE ACCESSIBLE TO AND USABLE BY PERSONS WITH DISABILITIES AND AT EVERY MAJOR JUNCTION ALONG OR LEADING TO AN ACCESSIBLE ROUTE OF TRAVEL SHALL BE IDENTIFIED WITH A SIGN DISPLAYING THE INTERNATIONAL SYMBOL OF ACCESSIBILITY AND WITH ADDITIONAL DIRECTIONAL SIGNS, AS REQUIRED, TO BE VISIBLE TO PERSONS ALONG APPROACHING PEDESTRIAN WAYS. (SEC. 1117B.5.7 & 1127B.3)
  - WHEN PERMANENT IDENTIFICATION IS PROVIDED FOR ROOMS AND SPACES, RAISED LETTERS SHALL BE PROVIDED AND SHALL BE ACCOMPANIED BY BRAILLE IN CONFORMANCE WITH SECTION 1117B.5.6. SIGNS SHALL BE INSTALLED ON THE WALL ADJACENT TO THE LATCH OUTSIDE OF THE DOOR. WHERE THERE IS NO WALL SPACE ON THE LATCH SIDE, INCLUDING AT LEAF DOORS, SIGNS SHALL BE PLACED ON THE NEAREST ADJACENT WALL, PREFERABLY ON THE RIGHT. MOUNTING HEIGHT SHALL BE 60" ABOVE THE FINISH FLOOR TO THE CENTERLINE OF THE SIGN. MOUNTING LOCATION SHALL BE DETERMINED SO THAT THE PERSON MAY APPROACH WITHIN 3" OF THE SIGNAGE WITHOUT ENCOUNTERING PROTRUDING OBJECTS OR STANDING WITHIN THE SWING OF A DOOR. (SEC. 1117B.5.9)
  - ADDITIONAL DIRECTIONAL SIGNS ALONG ACCESSIBLE PATH OF TRAVEL ARE REQUIRED.
  - BUILDINGS REMODELED TO PROVIDE ACCESSIBLE SANITARY FACILITIES FOR PUBLIC USE SHALL HAVE INFORMATION POSTED IN THE LOBBY AS PART OF THE BUILDING DIRECTORY.

### INTERNATIONAL SYMBOL OF ACCESSIBILITY:

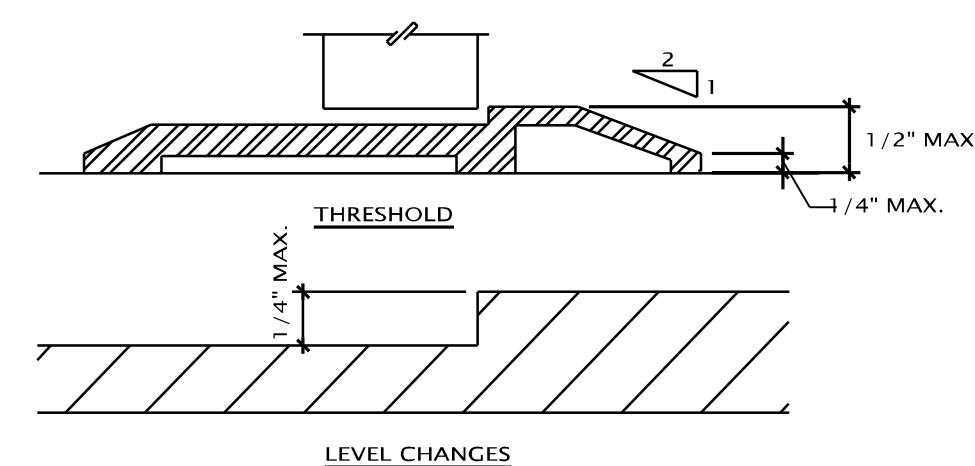
- STANDARD USED TO IDENTIFY ACCESSIBLE FACILITIES.
- WHITE FIGURE ON BLUE BACKGROUND, COLOR # 15090 ON FEDERAL STANDARD # 595A.
- WHEN ENFORCING AGENCY DETERMINES, IF APPROPRIATE, SPECIAL DESIGNS AND COLORS MAY BE APPROVED.
- BRAILLE:**
  - USE CONTRASTED GRADE 2 BRAILLE. DOTS TO BE 0.1 INCH ON CENTER IN EACH CELL.
  - 0.2 INCH SPACE BETWEEN CELLS.
  - DOTS RAISED MINIMUM 0.025 INCH ABOVE BACKGROUND.
  - SEE 4/T-4 FOR MORE INFO.

### TACTILE EXIT SIGNAGE

PROVIDE A TACTILE SIGN STATING EXIT AND COMPLYING WITH ICC A117.1 SHALL BE PROVIDED ADJACENT TO EACH DOOR TO AN EGRESS STAIRWAY, AND EXIT PASSAGEWAY AND THE EXIT DISCHARGE



TRANSITION BETWEEN FLOOR FINISHES



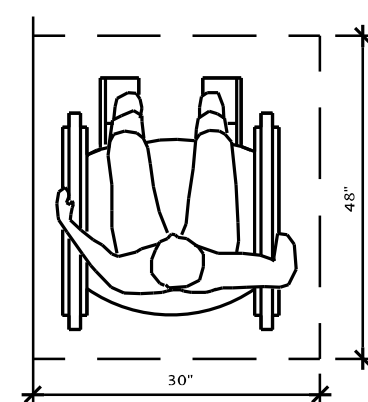
LEVEL CHANGES

### NOTES:

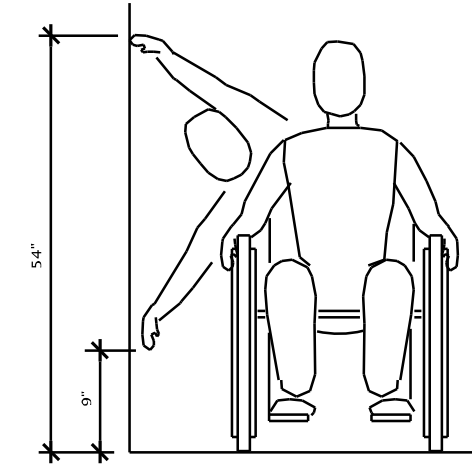
- 1/2" MAXIMUM TOTAL HEIGHT WITH 1/4" MAXIMUM VERTICAL CHANGE AT EDGE.
- 1:2 SLOPED BEVEL REQUIRED IF LEVEL CHANGE IS OVER 1/4" VERTICAL LEVEL CHANGE.
- 1/4" MAXIMUM VERTICAL LEVEL CHANGE.

### THRESHOLD / LEVEL CHANGES

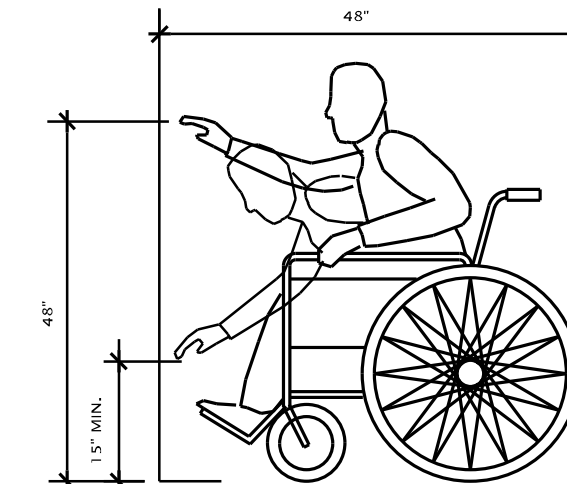
SCALE: N.T.S.



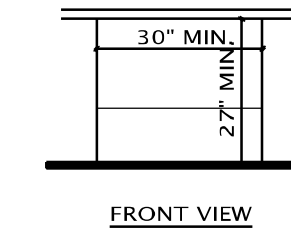
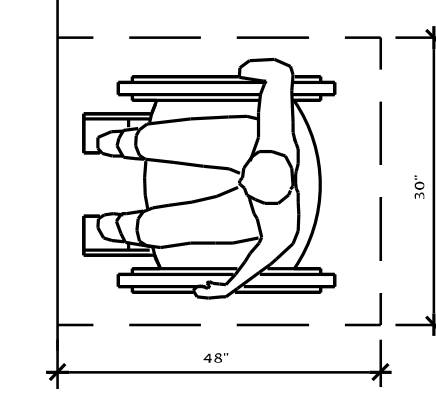
CLEAR FLOOR SPACE  
PARALLEL APPROACH



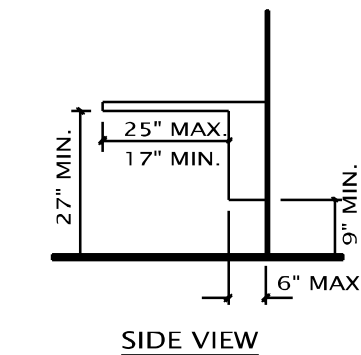
HIGH AND LOW  
SIDE REACH LIMITS



HIGH FORWARD REACH LIMIT

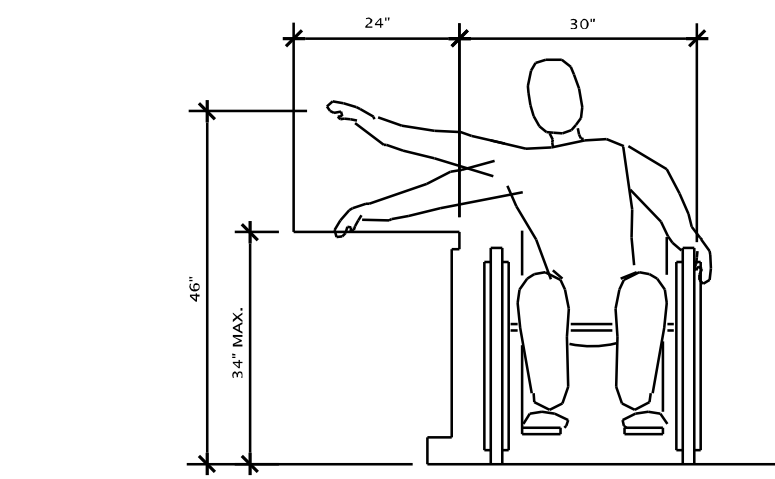


FRONT VIEW

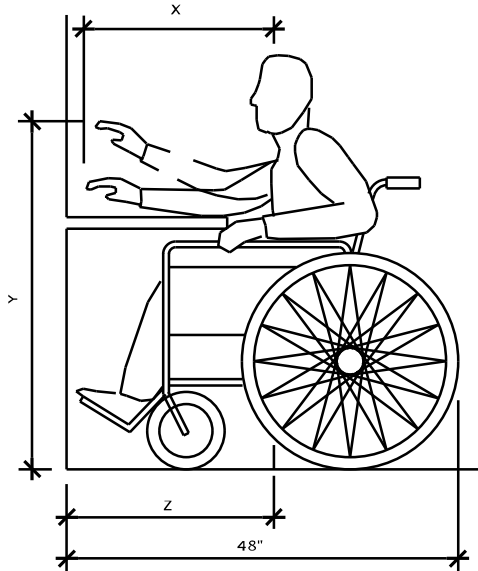


SIDE VIEW

### KNEE AND TOE CLEARANCE



MAXIMUM SIDE REACH OVER AN OBSTRUCTION



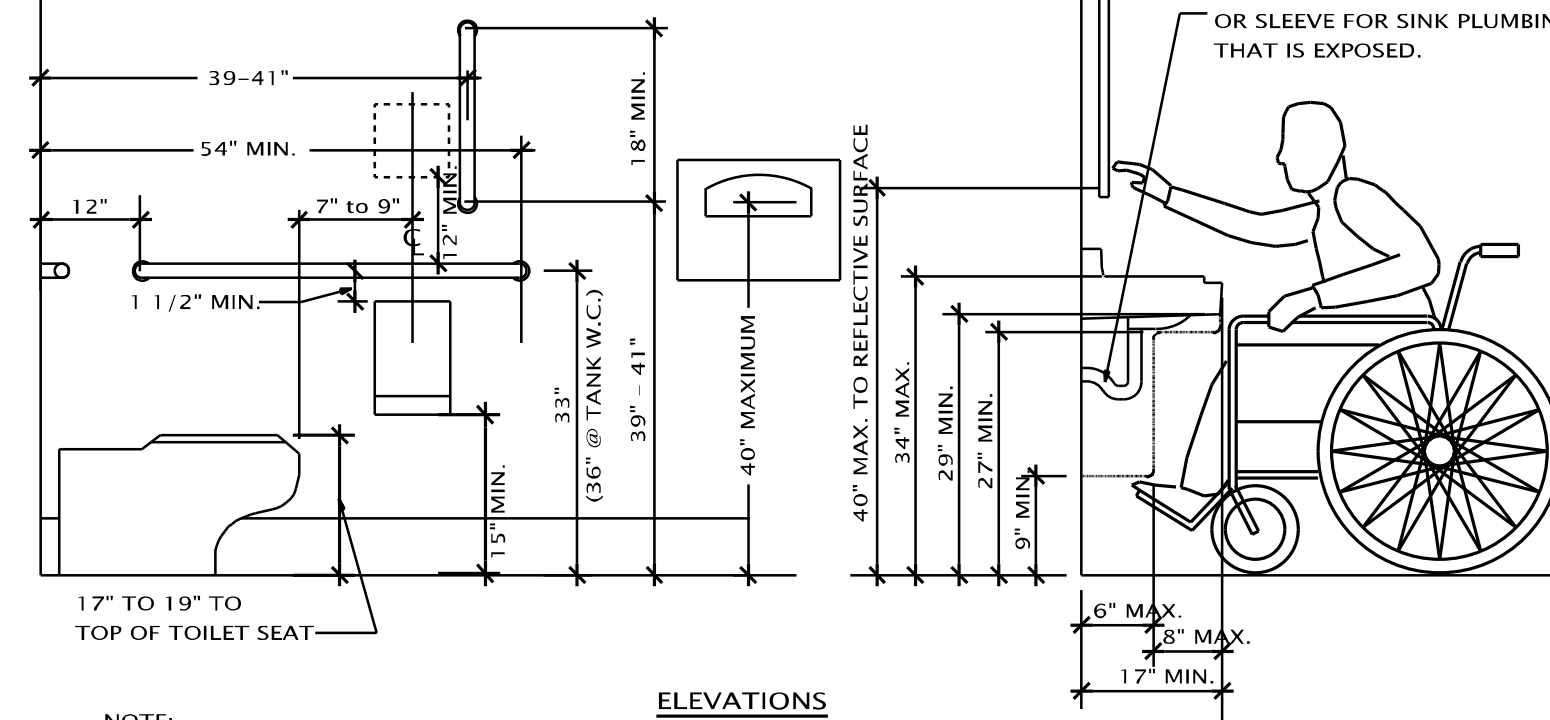
- NOTES:
- X SHALL BE < 25 INCHES; Z SHALL BE > X.
  - WHEN X < 20 INCHES, THEN Y SHALL BE 48 INCHES MAXIMUM.
  - WHEN X IS 20 TO 25 INCHES, THEN Y SHALL BE 44 INCHES MAXIMUM.

MAXIMUM FORWARD REACH OVER AN OBSTRUCTION

### REACH REQUIREMENTS

SCALE: N.T.S.

TOILET SEAT DISPENSER (WHERE OCCURS) 1-1/2" DIA METER GRAB BAR W/ FEENED FINISH & 250 LBS. CAPACITY

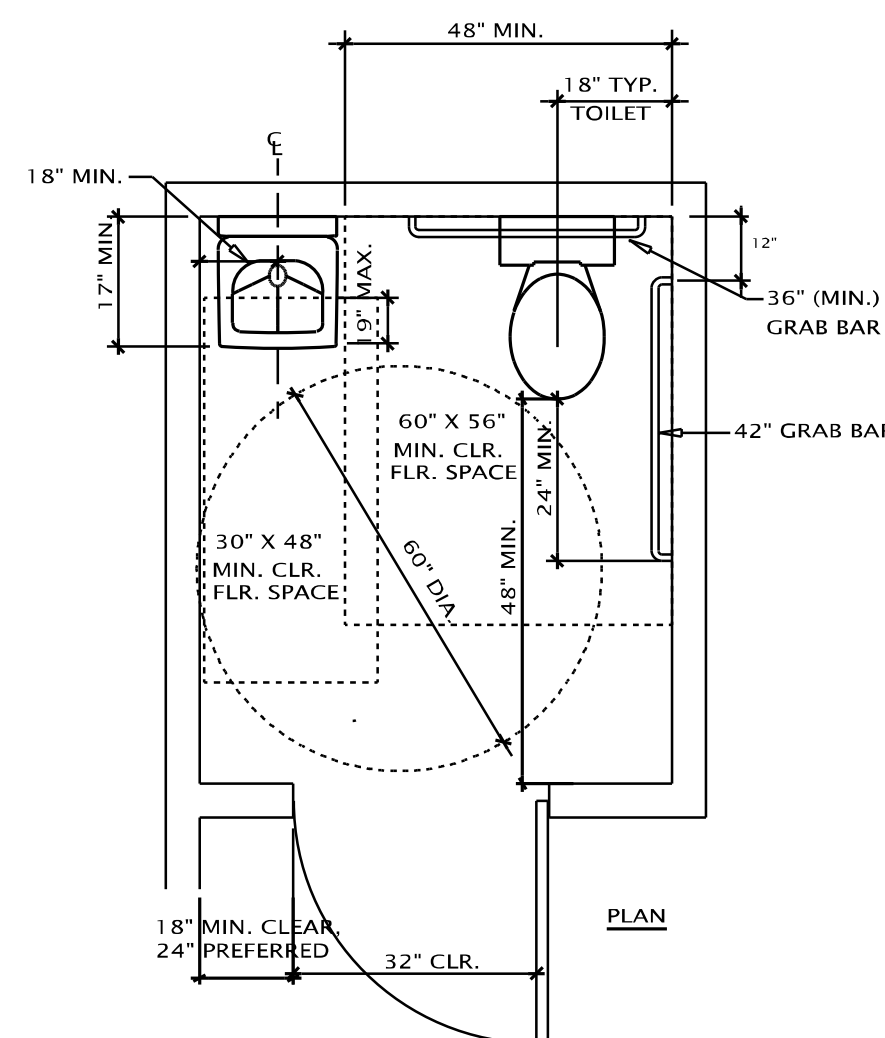


ELEVATIONS

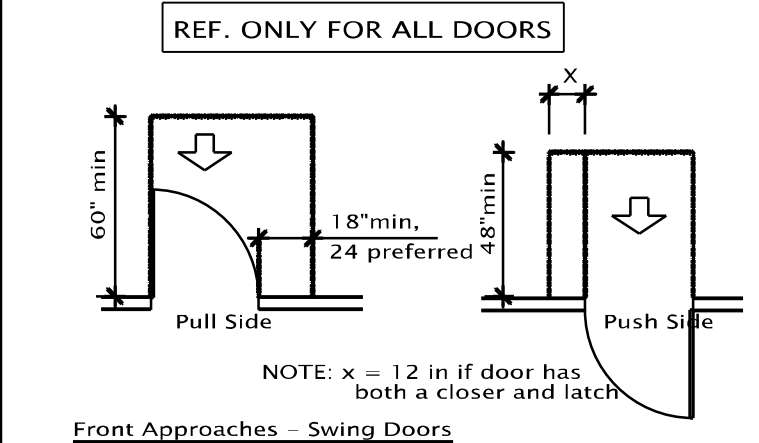
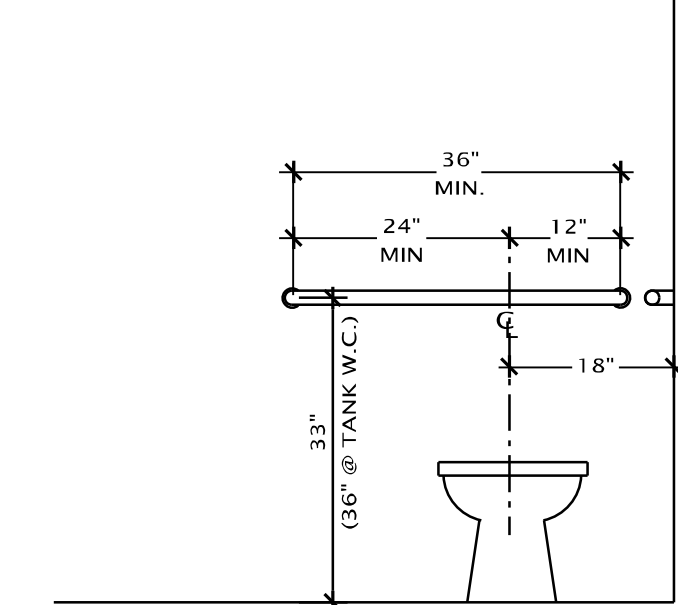
- NOTE:
- PROVIDE PRIVACY DOOR LOCK WHEN IT IS A PRIVATE TOILET OR FOR UNISEX USE.
  - GRAB BARS: SEE TYPICAL ACCESSIBILITY NOTES SHEET.
  - TOILET PAPER DISPENSER SHALL BE 15" - 48" ABOVE FLOOR THERE SHALL BE 1 1/2" CLEARANCE BELOW GRAB BAR AND 12" ABOVE THE GRAB BAR.

### BARRIER FREE RESTROOM DETAILS

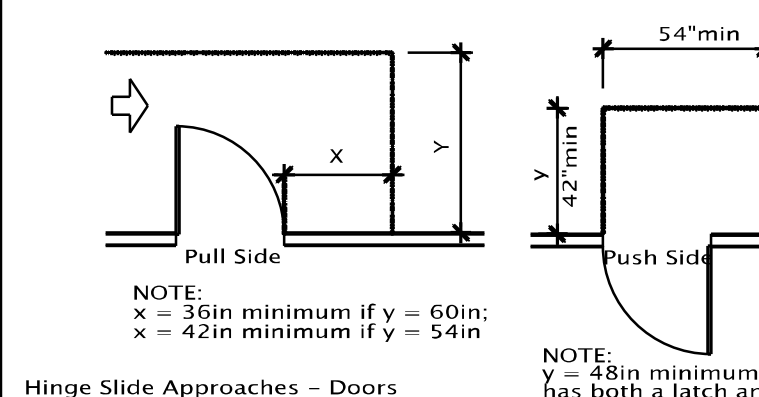
SCALE: N.T.S.



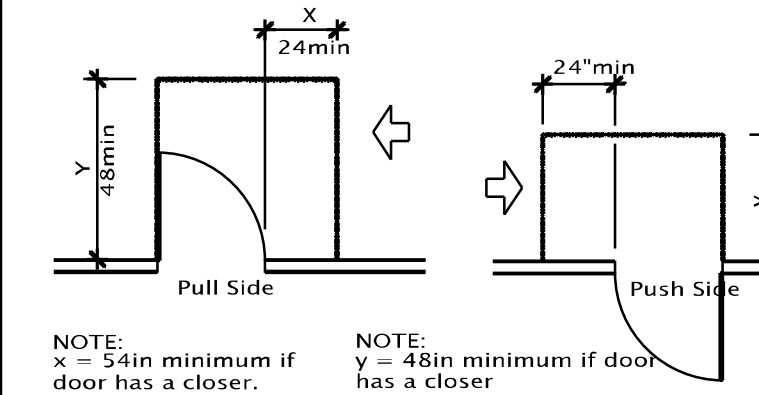
PLAN



Front Approaches - Swing Doors

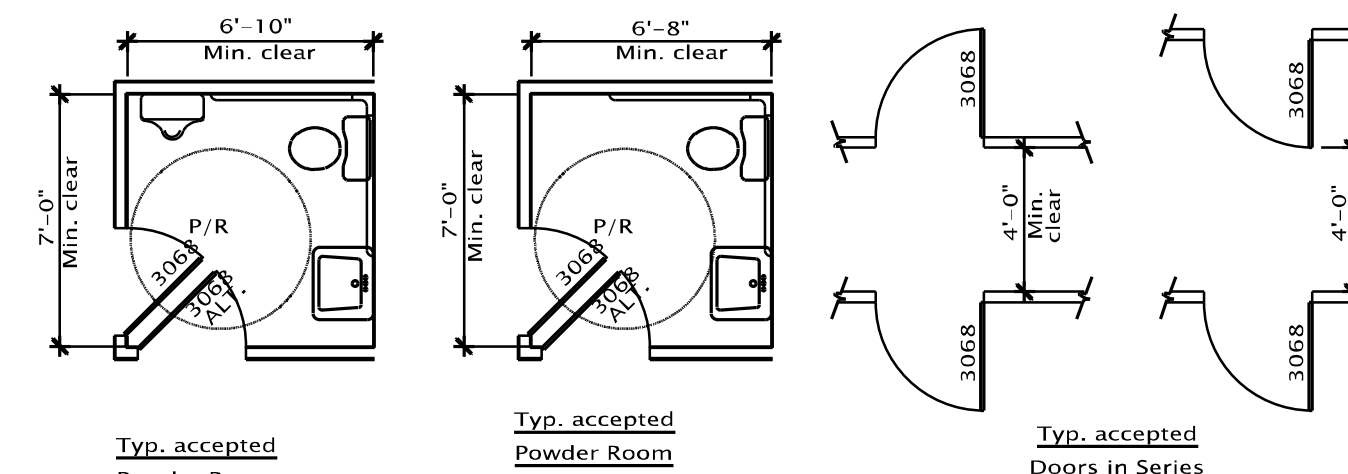


Hinge Slide Approaches - Doors



Latch Side Approaches - Swinging Doors

NOTE: All doors in alcoves shall comply with the clearances for front approaches. Fig. 25 from Federal Register page 35644 (Friday, July 26, 1991) Maneuvering Clearances at Doors



Typ. accepted Powder Room

Typ. accepted Powder Room

Typ. accepted Doors in Series

### TYPICAL DOOR DETAILS

SCALE: N.T.S.

THE IDEAS AND DESIGN CONCEPTS EXPRESSED HEREIN AND THE GRAPHICALLY DISPLAYED ARRANGEMENT OF THEIR COMPONENTS REPRESENTED BY THIS DRAWING HAVE BEEN DEVELOPED FOR THE EXCLUSIVE USE OF THE SPECIFIED PROJECT AND ARE THE SOLE PROPERTY OF JMP Design + Build, Inc. INCORPORATED. A CONVEYANCE OR DISCLOSURE OF THE IDEAS DESIGN CONCEPTS OR USE OF ANY GRAPHICALLY DISPLAYED ARRANGEMENTS OF THE COMPONENTS SHALL BE AT THE DISCRETION AND ONLY THROUGH THE EXPRESSED WRITTEN CONSENT OF JMP Design + Build, Inc. ALL MATERIALS HEREIN ARE PROPRIETARY AND COPYRIGHTED ARCHITECTURAL SEAL

PROJECT

WING SNOB  
3415 E. SAGINAW SUITE D  
LANSING, MI 48912

BUILDER/CLIENT  
WING SNOB

PRELIMINARY ○  
CONSTRUCTION ●  
PERMIT ●

SHEET TITLE:  
BARRIER FREE DETAILS

DATE: 01-17-2022  
02-28-2022  
03-03-2022

DRAWN BY:  
J.M.P.

CHECKED BY:  
J.M.P.

JOB NUMBER:  
22 - 110

SHEET NUMBER: