

Burger King 2010 Standards ADA Checklist

Version 1.1 February 21, 2014

Store # _____ Date of Survey _____
 Store Address, City & Zip _____
 Surveyor Name _____

Instructions for completing the Checklist

- 1) Complete all questions in each section marking a Yes, No or NA measuring to the closest 1/4".
- 2) Place a check mark in the comment box of any line that has an additional comment, write the comment and the line # reference on the bottom of that sheet.

References:

2010 Standards - <http://www.access-board.gov/ada-aba/index.htm>
 1991 ADAAG - <http://www.ada.gov/reg3a.html#Anchor-Appendix-52467>
 ADAAG Manual - Copies available from BK Corp.

Section	Table of Contents
	Cover Sheet - Instructions - Table of Contents
1	Picture Menus
2	Accessible Parking
3	Accessible Routes
3.10	Telephones
4	Accessible Curb Ramps
5	Accessible Ramps
6	Entry Doors
7	Queuing Aisle
8	Service Counter
9	Self Service Condiments and Drinks Counter
10	Accessible Seating and Tables
11	Interior Accessible Routes and Elements
11.10	Interior Stairs
11.20	Protruding Objects
11.30	Play Areas
11.40	Games/Kiosks/Vending
12	Men's or Unisex Restroom
12.10	Entry Door
12.30	Lavatory
12.40	Dispensers/Accessories
12.50	Toilet
12.80	Ambulatory Compartment
12.90	Urinal
13	Women's or 2nd Unisex Restroom
13.10	Entry Door
13.30	Lavatory
13.40	Dispensers/Accessories
13.50	Toilet
13.80	Ambulatory Compartment
Page 24	Reach Range
Page 25	Door Maneuvering Space Figure 404.2.4
Page 26	Certificate of Compliance

copyright 2014



Universal Designers & Consultants, Inc.

6 Grant Avenue • Takoma Park • MD 20912-4234
 301.270.2470 v/tty
 301.270.8199 fax

www.UDConsultants.com

Privileged & Confidential
 Attorney Work Product

Universal Designers & Consultants, Inc.

www.UDConsultants.com

Store # _____

BK 2010 Standards ADA Checklist Version 1.1 -- 2/21/2014

Burger King 2010 Standards ADA Checklist

Version 1.0 (1/28/2013)

Line #	Yes	No	N/A	Comment	Question	2010 Standards
1.00					Picture Menus	
1.01					Is signage provided at the drive up menu/order intercom indicating pictures menus are available upon request at the pick-up window?
1.02					Are picture menus available at the window and order counter?
2.00					Accessible Parking	
2.01					Are all accessible parking spaces on the shortest accessible route (that is 36 inches wide minimum and unobstructed by curbs, vehicle overhangs, protruding objects or any other barriers) to an accessible entrance?	208.3
2.02					Is a Van Accessible parking space with an 8' wide minimum access aisle provided or is there an 11' wide parking space with a 5' wide access aisle?	208.2.4, 502.2
2.03					Is vertical "Van Accessible" signage provided?	502.6
2.04					Do all Van spaces and their access aisles have 98 inches of vertical clearance?	502.5
2.05					Is a second accessible parking space provided for lots with 26 to 50 total parking spaces?	208.2
2.06					Are the required number of accessible parking spaces provided for lots with more than 50 total parking spaces?	208.2
2.07					Is every accessible parking space at least 8' wide?
2.08					Is every non-van accessible access aisle at least 5' wide?	208.2 502.3.1
2.09					Do all the accessible parking spaces have an average slope of 2% or less in any direction?	502.4
2.10					Do all the access aisles have an average slope of 2% or less in any direction?	502.4
2.11					Are all access aisles free of encroaching ramps or curb ramps?	502.4
2.12					Are all accessible parking spaces free of encroaching ramps or curb ramps?	502.4
2.13					Do all accessible parking spaces have a International Symbol of Accessibility (ISA) vertical signage?	502.6
2.14					Is every vertical sign with the ISA posted 60 inches minimum measured from the parking surface to the bottom of the sign at each space?	502.6
2.15					Are there stripes painted on each access aisle to discourage parking in that space?	502.3.3

**Privileged & Confidential
Attorney Work Product**

Universal Designers & Consultants, Inc.
www.UDConsultants.com

Line #	Yes	No	N/A	Comment	Question	2010 Standards
2.16					Is a curb or tire stop provided at each parking space to avoid narrowing a required accessible route?	403.5.1
3.00					Exterior Accessible Routes	
3.01					Are all crosswalks designated with painted stripes or differentiated surface materials?	502.3
3.02					Are all required accessible routes free of abrupt changes in level greater than 1/4 inch in height?	206.2.1 206.2.2 403.4 303
3.03					Are all required accessible routes free of gaps greater than 1/2 inch wide?	206.2.1 206.2.2 403.2 302.3
3.04					Do all accessible routes have running slopes 5% or less? If no, complete ramp or curb ramp sections as appropriate.	206.2.1 206.2.2 403.3
3.05					Do all accessible routes have cross slopes 2% or less?	206.2.1 206.2.2 403.3
3.06					Are all pedestrian paths free of objects protruding more than 4 inches (12 inches if post mounted such as signage) horizontally, between 27 and 80 inches high?	307.2
3.07					Is there 80 inches high minimum head clearance along all pedestrian paths?	307.4
3.08					Is the edge between all pedestrian paths and vehicular ways identified by a change in level (curbs) or truncated dome detectable warnings?	...

Privileged & Confidential
Attorney Work Product

Universal Designers & Consultants, Inc.
www.UDConsultants.com

Line #	Yes	No	N/A	Comment	Question	2010 Standards
3.10					Telephones	
3.11					Is the public pay phone on an accessible route with a 30 inches by 48 inches minimum clear floor space?	704.2.1
3.12					Does at least one phone at this location have a volume control.	704.3
3.13					Is this phone marked by the volume control symbol?	703.7.2.3
3.14					Is highest operable part of the lowest phone (usually the coin slot centerline) 48 inches or less AFF?	305
3.15					Is the handset cord at least 29" in length?	704.2.4
4.00					Accessible Curb Ramps	
4.01					Is there a smooth transition between the road and every curb ramp?	406.2
4.02					Is the slope of every adjoining gutter or road surface 5% or less?	406.2
4.03					Is every curb ramp 36 inches wide minimum?	406.1
4.04					Is every curb ramp front to back slope 8.3% or less?	406.1 405.2
4.05					Are all curb ramp flares sloped 10% or less?	406.3
4.06					Are detectable warnings (truncated domes) provided at every curb ramp?
4.07					Do detectable warnings on curb ramps contrast visually with the adjoining surfaces?	705.1
4.08					Are there level landings (2% or less slope in any direction) 36 inches deep minimum by 36 inches wide at the top of each curb ramp?	406.4

Privileged & Confidential
Attorney Work Product

Universal Designers & Consultants, Inc.
www.UDConsultants.com

Line #	Yes	No	N/A	Comment	Question	2010 Standards
5.00					Ramps	
5.01					Does every portion of route that has running slopes greater than 5% and a rise of more than 6 inches have handrails on both sides?	405.8 505
5.02					Do all portions of any accessible ramps have running slopes 8.3% or less?	405.2
5.03					Are all cross slopes 2% or less?	405.3
5.04					Is the clear width of every ramped section at least 36 inches?	405.5
5.05					Is a 5 feet long landing provided at the top and bottom of each ramped section?	405.7
5.06					Are all landings at least as wide as the ramped sections leading to them?	405.7
5.07					Is an intermediate landing provided wherever the rise is more than 30 inches?	405.6
5.08					Is each intermediate landing at least 5 feet long?	405.7
5.09					Are all landings where a change in direction occurs 60 inches deep by 60 inches wide?	405.7
5.10					Are all landings sloped 2% or less?	405.7.1 302
5.11					Is a 12 inches minimum extended ground surface or 4 inch high edge protection provided along each side of every ramp section?	405.9
5.12					Are all handrails located 34 inches to 38 inches AFF?	405.8 505
5.13					Are all the handrails 1-1/4 inches to 1-1/2 inches in diameter?	405.8 505
5.14					Does each handrail have a 12 inches minimum horizontal extension at the top and bottom of each ramp section?	405.8 505

Privileged & Confidential
Attorney Work Product

Universal Designers & Consultants, Inc.
www.UDConsultants.com

Line #	Yes	No	N/A	Comment	Question	2010 Standards
6.00					Entry Doors	
6.01					Is this an exit only door?
6.02					Is there a 36 inches wide minimum unobstructed accessible route from the public sidewalk or right of way to this door (unobstructed by curbs, vehicle overhangs, protruding objects or any other barriers)?	206.4
6.03					Does this door have an ISA decal?	216.6, 703.5
6.04					If the door is not fully accessible, is there directional signage indicating the closest accessible entrance.	216.6
6.05					Can all opening hardware be operated with a closed fist?	404.2.7
6.06					Is the operable portion of all public use door hardware located between 34 inches and 48 inches AFF?	404.2.7
6.07					Is the door closing speed 5 seconds or more from 90 degrees to 12 degrees from the latch for all leaves of this doorway?	404.2.8.1
6.08					Is the clear width of at least one single leaf 32 inches minimum?	404.2.3, 404.2.3
6.09					Does the threshold have an overall height of 1/2 inch maximum?	404.2.5
6.10					Does the threshold have abrupt portions that are 1/4 inch high maximum?	404.2.5
6.11					Does the threshold have a 1:2 maximum bevel for any portion that is more than 1/4 inch high?	404.2.5
6.12					Is there a 10 inches high smooth panel or kick plate located on the base of the push side of all leaves of the doorway?	404.2.10
6.13					Does the door have pull and push side maneuvering spaces that comply with the figure 404.2.4.	404.2.4
6.14					Are the required maneuvering spaces on each side of the door sloped 2% or less in all directions?	404.2.4

Privileged & Confidential
Attorney Work Product

Universal Designers & Consultants, Inc.
www.UDConsultants.com

Line #	Yes	No	N/A	Comment	Question	2010 Standards
7.00					Queuing Aisle	
7.01					Is there a 60 inches long by 60 inches wide minimum turning space at every turn in the path or if the path is at least 42 inches wide is the depth of the turn at least 48 inches?	304.3, 403.5.2
7.02					Is the narrowest clear width between the barriers 36 inches minimum?	403.5.1
7.03					Do queuing aisle separation barriers have detectable elements?	307.2
8.00					Service Counter	
8.01					Is the height of the accessible order counter 34 inches maximum?	902.3
8.02					Is the width of the accessible order counter 36 inches minimum?	902.3
8.03					Is the height of the accessible pick-up counter 34 inches maximum?	902.3
8.04					Is the width accessible pick-up counter 36 inches minimum?	902.3
8.05					Is the credit card reader within reach range or on a cord long enough to reach to the lap of a customer who uses a wheelchair?	308
8.06					Is any signature pad writing surface 34 inches AFF maximum or on a cord long enough to reach to the lap of a customer who uses a wheelchair?	902.4
9.00					Self Service Condiments and Drinks Counter	
9.01					Is at least one of each type of container, utensil or condiment located within 48 inches maximum AFF or 46 inches maximum AFF for depths from 10 inches to 24 inches?	308
9.02					Is at least one of each type of drink dispenser located within 48 inches maximum AFF or 46 inches maximum AFF for depths from 10 inches to 24 inches?	308
9.03					Is the top of each self service counter or tray slide 34 inches maximum AFF?	902.3
9.04					Is the control of every dispenser operable with a closed fist or flail hand?	309.4

Privileged & Confidential
Attorney Work Product

Universal Designers & Consultants, Inc.
www.UDConsultants.com

Line #	Yes	No	N/A	Comment	Question	2010 Standards
10.00					Interior Accessible Seating and Tables	
10.01					What is the total number of seating positions inside the restaurant?	
10.02					Is 5% of the seating positions in each area accessible?	226.1
10.03					Is there a 36 inches wide minimum accessible route serving every accessible seating location?	403
10.04					Is the height of the table top between 28 inches and 34 inches maximum at every accessible seating position?	902.3
10.05					Is 27 inches high by 30 inches wide by 17 inches deep knee clearance provided at every accessible seating position?	902.2
10.06					Is there an audible public alarm in the dining area?	702
10.07					Is there a visual fire alarm in the dining area?	702
10.10					Exterior Accessible Seating and Tables	
10.11					What is the total number of seating positions outside the restaurant?	
10.12					Is 5% of the seating positions in each area accessible?	226.1
10.13					Is there a 36 inches wide minimum accessible route serving every accessible seating location?	403
10.14					Is the height of the table top between 28 inches and 34 inches maximum at every accessible seating position?	902.3
10.15					Is 27 inches high by 30 inches wide by 17 inches deep knee clearance provided at every accessible seating position?	902.2

Privileged & Confidential
Attorney Work Product

Universal Designers & Consultants, Inc.
www.UDConsultants.com

Line #	Yes	No	N/A	Comment	Question	2010 Standards
11.00					Interior Accessible Routes and Elements	
11.02					Is there a 36 inches wide accessible route connecting the accessible entry/entrances with all accessible spaces and elements within the facility including serving and condiment counters, dining areas, restrooms and playgrounds if available?	206.2.4 402
11.03					Are all required accessible routes stable, firm and slip resistant?	206.2.4 302.1
11.04					Are all required accessible routes free of abrupt changes in level greater than 1/4 inch in height?	206.2.4 403.4 303
11.05					Are all required accessible routes free of gaps greater than 1/2 inch wide?	206.2.4 403.2 302.3
11.06					Do all accessible routes have running slopes 5% or less? If no, complete section 5.	206.2.4 403.3
11.07					Do all accessible routes have cross slopes 2% or less?	206.2.4 403.3
11.10					Interior Stairs	
11.11					Are any stairs part of a means of egress? If no go skip to next section.	210
11.12					Are all the risers 4 inches minimum to 7 inches high maximum?	504.2
11.13					Are all treads 11 inches minimum in depth?	504.2
11.14					Are all risers closed?	504.3
11.15					Are all nosings free of protrusions and are either flush, smooth or beveled?	504.5
11.16					Are handrails provided on both sides of the stairs?	505.1
11.17					Are all handrails located 34 inches to 38 inches AFF?	505.4
11.18					Do all handrails have a clearance of 1-1/2 inches minimum from the vertical surface?	505.5
11.19					Do all handrails have 12 inches minimum extensions at both the top and the bottom of the stairway?	505.1

Privileged & Confidential
Attorney Work Product

Universal Designers & Consultants, Inc.
www.UDConsultants.com

Line #	Yes	No	N/A	Comment	Question	2010 Standards
11.20					Protruding Objects	
11.21					Are all pedestrian paths free of objects protruding more than 4 inches (12 inches if post mounted such as signage) horizontally, between 27 and 80 inches high?	307.2
11.22					Is there 80 inches high minimum head clearance along all pedestrian paths?	307.4
11.30					Play Areas	
11.31					Is there at least one accessible entrance and one accessible exit to the soft contained play structure (can be the same)?	1008.2.4.1
11.32					If there are 4 or more entrances to the soft contained play structure are there at least 2 entrances that are accessible?	206.2.17.2 1008.2.4.1
11.33					Is there a 60 inches minimum width accessible route from the entry of the play area to the each required accessible entry and exit of the soft contained play structure?	1008.2.4
11.34					Is there 80 inches high minimum head clearance along all accessible routes within the play area?	1008.2
11.35					Do all accessible routes have compliant level change and edge transition conditions?	403.4 405.2
11.36					Is a 60" diameter or T-turn space provided at each accessible entry to the soft contained play structure?	1008.2.4.1 304.3
11.37					Is a transfer platform provided at each accessible entry and exit of the soft contained play structure?	1008.2.2
11.38					Are all transfer platforms at least 14 inches deep and 24 inches wide and located between 11 inches and 18 inches AFF.	1008.3.1.1 1008.3.1.2
11.39					Is a 30 inches by 48 inches clear floor space centered (along the long side) of each transfer platform?	1008.3.1.3
11.40					Is at least one means of support (handrail or gripping surface) provided at every transfer platform?	1008.3.1.4 1008.3.2.3
11.41					Do all accessible routes have slopes of 1:16 (6.2%) maximum?	1008.2.5.1
11.42					Has the manufacturer provided proof of ADA compliance for all traditional non-contained composite structures and any free-standing play equipment?	240.2

Privileged & Confidential
Attorney Work Product

Store # _____

BK 2010 Standards ADA Checklist Version 1.1 -- 2/21/2014

Universal Designers & Consultants, Inc.
www.UDConsultants.com

Line #	Yes	No	N/A	Comment	Question	2010 Standards
11.50					Games / Kiosk/Vending	
11.51					Are all self service kiosks, vending machines or free standing game units on an accessible route with a 30 inches by 48 inches minimum clear floor space?	305.3
11.52					Are all controls and operating elements located within 48 inches maximum AFF or 46 inches maximum AFF for depths from 10 inches to 24 inches?	308
11.53					Are all controls or operating elements operable with a closed fist or flail hand with 5 lbs or less of force?	309.4
12.00					Men's or Unisex Restroom	
12.01					Is there a sign located out of the swing of any door at the latch side of the restroom door or on the face of inswinging doors that have closers but no hold open device?	703.4.2
12.02					Does the sign have tactile characters that are raised at least 1/32"?	703.2.1
12.03					Is the character height of the tactile characters between 5/8 inches and 2 inches?	703.2.5
12.04					Is the baseline of the lowest tactile character 48 inches minimum and the baseline of the highest tactile character 60 inches maximum?	703.4.1
12.05					Does the sign have braille?	703.3
12.06					Do there non-glare characters on the sign that visually contrast with a non-glare background?	703.5.1
12.07					Are floor surfaces in the restroom sloped less than 2% in all directions with no abrupt change in level greater than 1/4 inch high and no gaps greater than 1/2 inch wide.	206.2.4, 302.3 303, 403.2 403.3, 403.4
12.08					Is there a 60 inches diameter or a T-Turn turning space provided in the restroom? .	304.3
12.09					If a public alarm is audible in the restroom is there a visual alarm in the restroom?	702

Privileged & Confidential
Attorney Work Product

Universal Designers & Consultants, Inc.
www.UDConsultants.com

Line #	Yes	No	N/A	Comment	Question	2010 Standards
12.10					Men's Entry Door	
12.11					Can all opening hardware be operated with a closed fist or flail hand?	404.2.7
12.12					Is door hardware located between 34 inches and 48 inches AFF?	404.2.7
12.13					Is the door opening force for all accessible interior and exterior doors no more than 5 lbf?	404.2.9
12.14					Is the door closing speed 5 seconds or more from 90 degrees to 12 degrees from the latch for all leaves of this doorway?	404.2.8.1
12.15					Is the clear width of the door 32 inches minimum?	404.2.3, 404.2.3
12.16					Does the threshold have an overall height of 1/2 inch maximum?	404.2.5
12.17					Does the threshold have abrupt portions that are 1/4 inch high maximum?	404.2.5
12.18					Does the threshold have a 1:2 maximum bevel for any portion that is more than 1/4 inch high?	404.2.5
12.19					Is there a 10 inches high smooth surface or kick plate located on the base of the push side of all leaves of the doorway?	404.2.10
12.20					Does the door have pull and push side maneuvering spaces that comply with figure 404.2.4.	404.2.4
12.21					Are the required maneuvering spaces on each side of the door sloped 2% or less in all directions?	404.2.4

Privileged & Confidential
Attorney Work Product

Universal Designers & Consultants, Inc.
www.UDConsultants.com

Line #	Yes	No	N/A	Comment	Question	2010 Standards
12.30					Men's Lavatory	
12.31					Is the top of the accessible lavatory 28 inches to 34 inches high?	213.3.4 606.2 606.3
12.32					Is a 27 inches high by 30 inches wide by 8 inches deep minimum knee clearance provided under the lavatory?	213.3.4 305.4 306 606.2
12.33					Is a 9 inches high by 30 inches wide by 17 inches deep minimum toe clearance provided under the lavatory?	213.3.4 305.4 306 606.2
12.34					Are all the accessible lavatory pipes insulated or otherwise protected from contact?	213.3.4 606.5
12.35					Is the faucet hardware at the accessible lavatory automatic or operable with a closed fist or flail hand?	213.3.4 606.4
12.36					Is a mirror provided?	213.3.4 603.3
12.37					Is the bottom reflecting edge of the mirror located 40 inches high maximum?	213.3.4 603.3

Privileged & Confidential
Attorney Work Product

Universal Designers & Consultants, Inc.
www.UDConsultants.com

Line #	Yes	No	N/A	Comment	Question	2010 Standards
12.40					Dispensers / Accessories	
12.41					If there is a customer use light switch, is it 48 inches AFF maximum in an accessible location?	205.1 308 309.3
12.42					Is at least one of each type of dispenser in the restroom on an accessible route with a 30 inches by 48 inches minimum clear floor space?	305.3
12.43					Is at least one of each type of dispenser mounted with controls 48 inches maximum AFF?	308
12.44					Is the diaper changing station on an accessible route with an accessible clear floor space?	305 902.1 902.2
12.45					Is the diaper changing station pull down handle and all other operable controls located 48 inches high maximum?	305
12.46					Is the diaper changing station surface (when open) 28 inches to 34 inches high maximum?	902.1 902.3
12.47					Does the diaper changing station surface (when open) provide 27 inches of knee clearance?	306 902.1 902.2
12.48					Are accessible dispensers operable without pinching, grasping or twisting of the wrist and require 5 lbf or less to operate?	205 309.4

Privileged & Confidential
Attorney Work Product

Universal Designers & Consultants, Inc.
www.UDConsultants.com

Line #	Yes	No	N/A	Comment	Question	2010 Standards
12.50					Men's Toilet	
12.51					Is this a unisex or single user restroom ?	
12.52					Is the accessible toilet seat 17 inches to 19 inches AFF?	604.4
12.53					Is the accessible toilet centered 16 inches to 18 inches from sidewall?	604.2
12.54					Is the toilet flush control automatic or located on the open side of the toilet?	604.6
12.55					Is a horizontal sidewall grab bar provided that is 1-1/4 to 1-1/2 inches in diameter, 42 inches long minimum, extending 54 inches minimum from the rear wall, 33 inches to 36 inches above the floor to the top of the gripping surface and with no obstructions within 12 inches above or 1-1/2 inches below the bar?	604.5.1 609
12.56					Is a horizontal rear wall grab bar provided that is 1-1/4 to 1-1/2 inches in diameter, 36 inches long minimum, extending 12 inches minimum from the toilet centerline towards the rear side wall, centered 33 inches to 36 inches above the floor to the top of the gripping surface and with no obstructions within 12 inches above or 1-1/2 inches below the bar?	604.5.2 609
12.57					Is the centerline of the toilet paper dispenser located 7 inches to 9 inches from the front of the water closet?	604.7
12.58					Is the toilet paper dispenser located at least 1-1/2 inches below the side wall grab bar or at least 12 inches above the grab bar?	609.3
12.59					Is the toilet paper dispenser opening located 15 inches minimum to 48 inches maximum above the floor?	604.7 609.3
12.60					Is the accessible water closet in a compartment? If yes, skip to line 12.63	
12.61					Is at least 60 inches minimum clearance measured perpendicular from the side wall provided?	604.3
12.62					Is 56 inches minimum clearance measured perpendicular from the rear wall provided?	604.3
12.63					Is the accessible toilet compartment 60 inches minimum wide?	604.8.1.1
12.64					If a wall hung water closet is provided in the compartment is the depth of the compartment 56 inches minimum?	604.8.1.1
12.65					If a floor mounted water closet is provided in the compartment is the depth of the compartment 59 inches minimum?	604.8.1.1
12.66					Is 9 inches high and 6" deep minimum toe clearance provided at the front of the compartment and one other side?	604.8.1.4

Privileged & Confidential
Attorney Work Product

Store # _____

BK 2010 Standards ADA Checklist Version 1.1 -- 2/21/2014

Universal Designers & Consultants, Inc.
www.UDConsultants.com

Line #	Yes	No	N/A	Comment	Question	2010 Standards
12.67					Is the toilet compartment door self-closing, provide a clear opening width of 32 inches minimum, and located within 4 inches of the compartment corner diagonally opposite the toilet?	604.8.1.2
12.68					Is all accessible toilet compartment door hardware centered between 34 inches and 48 inches AFF?	404.2.7
12.69					If the accessible compartment door is out-swinging, are the exterior maneuvering spaces compliant with figure 404.2.4.	604.8.1.2 404.2.4
12.70					Is all accessible compartment door hardware operable with a closed fist or flail hand?	604.8.1.2 404.2.7
12.71					Is the inside and outside of the accessible compartment door equipped with a loop or U-shaped handle?	604.8.1.2
12.72					Is at least one of each hook and dispenser in the accessible compartment at 48 inches AFF maximum?	213.3.7 603.4 604.8.3 308

Line #	Yes	No	N/A	Comment	Question	2010 Standards
12.80					Men's Ambulatory Compartment	
12.81					If there are 6 or more toilet compartments and urinals combined, is an ambulatory compartment provided?	213.3.1
12.82					If an ambulatory compartment is provided is it 35 inches to 37 inches wide and at least 60 inches long?	604.8.2.1
12.83					Does the door provide at least 32 inches of clear opening width?	604.8.2.2
12.84					Can all opening hardware be operated with a closed fist?	404.2.7
12.85					Is all door hardware centered between 34 inches and 48 inches AFF?	404.2.7
12.86					Is the compartment door maneuvering space compliant with figure 404.2.4.	604.8.1.2 404.2.4
12.87					Is toilet centered 17-19 inches from side wall?	604.2
12.88					Are there two horizontal sidewall grab bars provided in the ambulatory compartment that are 1-1/4 to 1-1/2 inches in diameter, 42 inches long minimum, extending 54 inches minimum from the rear wall?	604.8.2.3
12.90					Urinal	
12.91					Are there less than 2 urinals? If yes, skip to line 13.00.	213.3.3
12.92					Is the lip of one urinal 17 inches high maximum?	605.2
12.93					Is there a 30 inches wide minimum (36 inches wide minimum if in an alcove over 24 inches deep) or compliant clear floor space at that urinal?	605.3
12.94					Does the lip of the urinal extend at least 13-1/2 inches from the rear wall?	605.2
12.95					Is the urinal's flush control automatic or 48 inches high maximum and operable with no more than 5 lbf of pressure?	605.4

Privileged & Confidential
Attorney Work Product

Universal Designers & Consultants, Inc.
www.UDConsultants.com

Line #	Yes	No	N/A	Comment	Question	2010 Standards
13.00					Women's or 2nd Single User Restroom	
13.01					Is there a sign located out of the swing of any door at the latch side of the restroom door or on the face of inswinging doors that have closers but no hold open device?	703.4.2
13.02					Does the sign have tactile characters that are raised at least 1/32"?	703.2.1
13.03					Is the character height of the tactile characters between 5/8 inches and 2 inches?	703.2.5
13.04					Is the baseline of the lowest tactile character 48 inches minimum and the baseline of the highest tactile character 60 inches maximum?	703.4.1
13.05					Does the sign have braille?	703.3
13.06					Do there non-glare characters on the sign that visually contrast with a non-glare background?	703.5.1
13.07					Are floor surfaces in the restroom sloped less than 2% in all directions with no abrupt change in level greater than 1/4 inch high and no gaps greater than 1/2 inch wide.	206.2.4, 302.3 303, 403.2 403.3, 403.4
13.08					Is there a 60 inches diameter or a T-Turn turning space provided in the restroom?	304.3
13.09					If a public alarm is audible in the restroom is there a visual alarm in the restroom?	702

Privileged & Confidential
Attorney Work Product

Universal Designers & Consultants, Inc.
www.UDConsultants.com

Line #	Yes	No	N/A	Comment	Question	2010 Standards
13.10					Women's Entry Door	
13.11					Can all opening hardware be operated with a closed fist or flail hand?	404.2.7
13.12					Is door hardware located between 34 inches and 48 inches AFF?	404.2.7
13.13					Is the door opening force for all accessible interior and exterior doors no more than 5 lbf?	404.2.9
13.14					Is the door closing speed 5 seconds or more from 90 degrees to 12 degrees from the latch for all leaves of this doorway?	404.2.8.1
13.15					Is the clear width of the door 32 inches minimum?	404.2.3, 404.2.3
13.16					Does the threshold have an overall height of 1/2 inch maximum?	404.2.5
13.17					Does the threshold have abrupt portions that are 1/4 inch high maximum?	404.2.5
13.18					Does the threshold have a 1:2 maximum bevel for any portion that is more than 1/4 inch high?	404.2.5
13.19					Is there a 10 inches high smooth surface or kick plate located on the base of the push side of all leaves of the doorway?	404.2.10
13.20					Does the door have pull and push side maneuvering spaces that comply with figure 404.2.4.	404.2.4
13.21					Are the required maneuvering spaces on each side of the door sloped 2% or less in all directions?	404.2.4

Privileged & Confidential
Attorney Work Product

Universal Designers & Consultants, Inc.
www.UDCconsultants.com

Line #	Yes	No	N/A	Comment	Question	2010 Standards
13.30					Women's Lavatory	
13.31					Is the top of the accessible lavatory 28 inches to 34 inches high?	213.3.4 606.2 606.3
13.32					Is a 27 inches high by 30 inches wide by 8 inches deep minimum knee clearance provided under the lavatory?	213.3.4 305.4 306 606.2
13.33					Is a 9 inches high by 30 inches wide by 17 inches deep minimum toe clearance provided under the lavatory?	213.3.4 305.4 306 606.2
13.34					Are all the accessible lavatory pipes insulated or otherwise protected from contact?	213.3.4 606.5
13.35					Is the faucet hardware at the accessible lavatory automatic or operable with a closed fist or flail hand?	213.3.4 606.4
13.36					Is a mirror provided?	213.3.4 603.3
13.37					Is the bottom reflecting edge of the mirror located 40 inches high maximum?	213.3.4 603.3

Privileged & Confidential
Attorney Work Product

Universal Designers & Consultants, Inc.
www.UDConsultants.com

Line #	Yes	No	N/A	Comment	Question	2010 Standards
13.40					Dispensers / Accessories	
13.41					If there is a customer use light switch, is it 48 inches AFF maximum in an accessible location?	205.1 308 309.3
13.42					Is at least one of each type of dispenser in the restroom on an accessible route with a 30 inches by 48 inches minimum clear floor space?	305.3
13.43					Is at least one of each type of dispenser mounted with controls 48 inches maximum AFF?	308
13.44					Is the diaper changing station on an accessible route with an accessible clear floor space?	305 902.1 902.2
13.45					Is the diaper changing station pull down handle and all other operable controls located 48 inches high maximum?	305
13.46					Is the diaper changing station surface (when open) 28 inches to 34 inches high maximum?	902.1 902.3
13.47					Does the diaper changing station surface (when open) provide 27 inches of knee clearance?	306 902.1 902.2
13.48					Are accessible dispensers operable without pinching, grasping or twisting of the wrist and require 5 lbf or less to operate?	205 309.4

Privileged & Confidential
Attorney Work Product

Universal Designers & Consultants, Inc.
www.UDConsultants.com

Line #	Yes	No	N/A	Comment	Question	2010 Standards
13.50					Women's Toilet	
13.51					Is this a unisex or single user restroom ?	
13.52					Is the accessible toilet seat 17 inches to 19 inches AFF?	604.4
13.53					Is the accessible toilet centered 16 inches to 18 inches from sidewall?	604.2
13.54					Is the toilet flush control automatic or located on the open side of the toilet?	604.6
13.55					Is a horizontal sidewall grab bar provided that is 1-1/4 to 1-1/2 inches in diameter, 42 inches long minimum, extending 54 inches minimum from the rear wall, 33 inches to 36 inches above the floor to the top of the gripping surface and with no obstructions within 12 inches above or 1-1/2 inches below the bar?	604.5.1 609
13.56					Is a horizontal rear wall grab bar provided that is 1-1/4 to 1-1/2 inches in diameter, 36 inches long minimum, extending 12 inches minimum from the toilet centerline towards the rear side wall, centered 33 inches to 36 inches above the floor to the top of the gripping surface and with no obstructions within 12 inches above or 1-1/2 inches below the bar?	604.5.2 609
13.57					Is the centerline of the toilet paper dispenser located 7 inches to 9 inches from the front of the water closet?	604.7
13.58					Is the toilet paper dispenser located at least 1-1/2 inches below the side wall grab bar or at least 12 inches above the grab bar?	609.3
13.59					Is the toilet paper dispenser opening located 15 inches minimum to 48 inches maximum above the floor?	604.7 609.3
13.60					Is the accessible water closet in a compartment? If yes, skip to line 13.63	
13.61					Is at least 60 inches minimum clearance measured perpendicular from the side wall provided?	604.3
13.62					Is 56 inches minimum clearance measured perpendicular from the rear wall provided?	604.3
13.63					Is the accessible toilet compartment 60 inches minimum wide?	604.8.1.1
13.64					If a wall hung water closet is provided in the compartment is the depth of the compartment 56 inches minimum?	604.8.1.1
13.65					If a floor mounted water closet is provided in the compartment is the depth of the compartment 59 inches minimum?	604.8.1.1
13.66					Is 9 inches high and 6" deep minimum toe clearance provided at the front of the compartment and one other side?	604.8.1.4

Privileged & Confidential
Attorney Work Product

Store # _____

BK 2010 Standards ADA Checklist Version 1.1 -- 2/21/2014

Universal Designers & Consultants, Inc.
www.UDConsultants.com

Line #	Yes	No	N/A	Comment	Question	2010 Standards
13.67					Is the toilet compartment door self-closing, provide a clear opening width of 32 inches minimum, and located within 4 inches of the compartment corner diagonally opposite the toilet?	604.8.1.2
13.68					Is all accessible toilet compartment door hardware centered between 34 inches and 48 inches AFF?	404.2.7
13.69					If the accessible compartment door is out-swinging, are the exterior maneuvering spaces compliant with figure 404.2.4.	604.8.1.2 404.2.4
13.70					Is all accessible compartment door hardware operable with a closed fist or flail hand?	604.8.1.2 404.2.7
13.71					Is the inside and outside of the accessible compartment door equipped with a loop or U-shaped handle?	604.8.1.2
13.72					Is at least one of each hook and dispenser in the accessible compartment at 48 inches AFF maximum?	213.3.7 603.4 604.8.3 308
13.80					Women's Ambulatory Compartment	
13.81					If there are 6 or more toilet compartments, is an ambulatory compartment provided?	213.3.1
13.82					If an ambulatory compartment is provided is it 35 inches to 37 inches wide and at least 60 inches long?	604.8.2.1
13.83					Does the door provide at least 32 inches of clear opening width?	604.8.2.2
13.84					Can all opening hardware be operated with a closed fist?	404.2.7
13.85					Is all door hardware centered between 34 inches and 48 inches AFF?	404.2.7
13.86					Is the compartment door maneuvering space compliant with figure 404.2.4.	604.8.1.2 404.2.4
13.87					Is toilet centered 17-19 inches from side wall?	604.2
13.88					Are there two horizontal sidewall grab bars provided in the ambulatory compartment that are 1-1/4 to 1-1/2 inches in diameter, 42 inches long minimum, extending 54 inches minimum from the rear wall?	604.8.2.3

Privileged & Confidential
Attorney Work Product

Universal Designers & Consultants, Inc.
www.UDConsultants.com

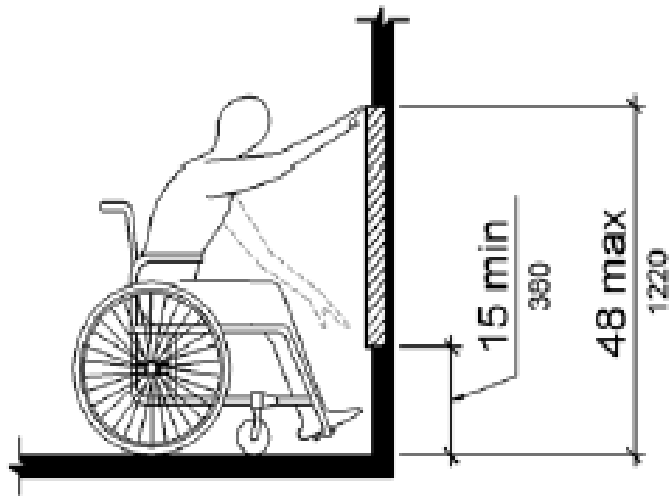


Figure 308.2.1
Unobstructed Forward Reach

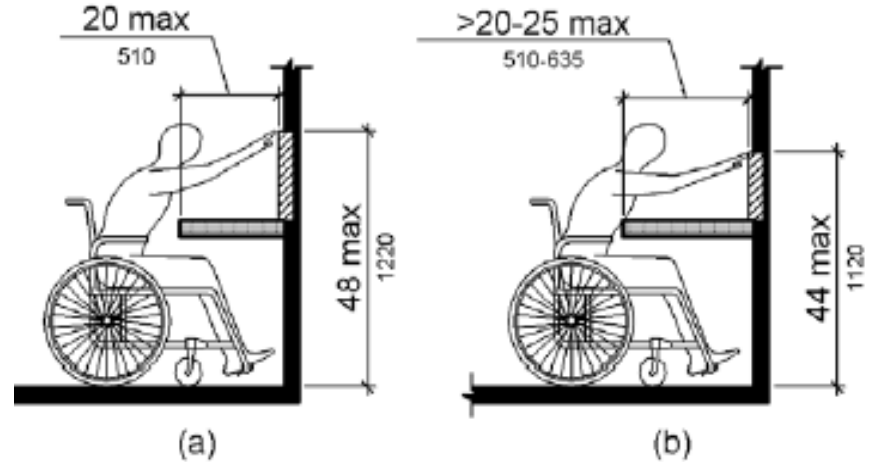


Figure 308.2.2
Obstructed High Forward Reach

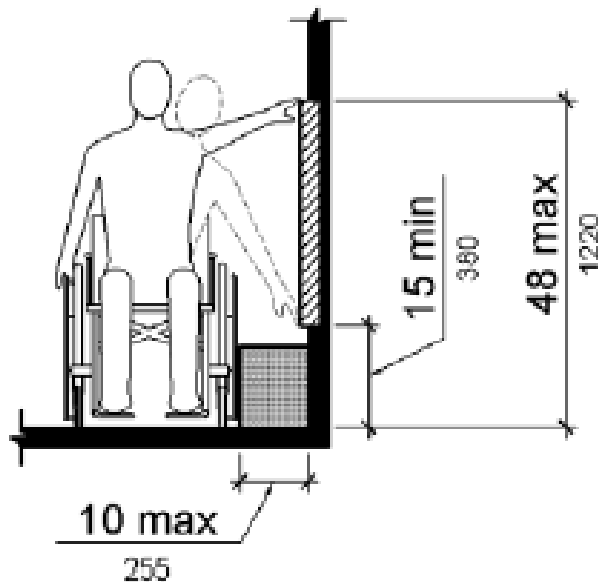


Figure 308.3.1
Unobstructed Side Reach

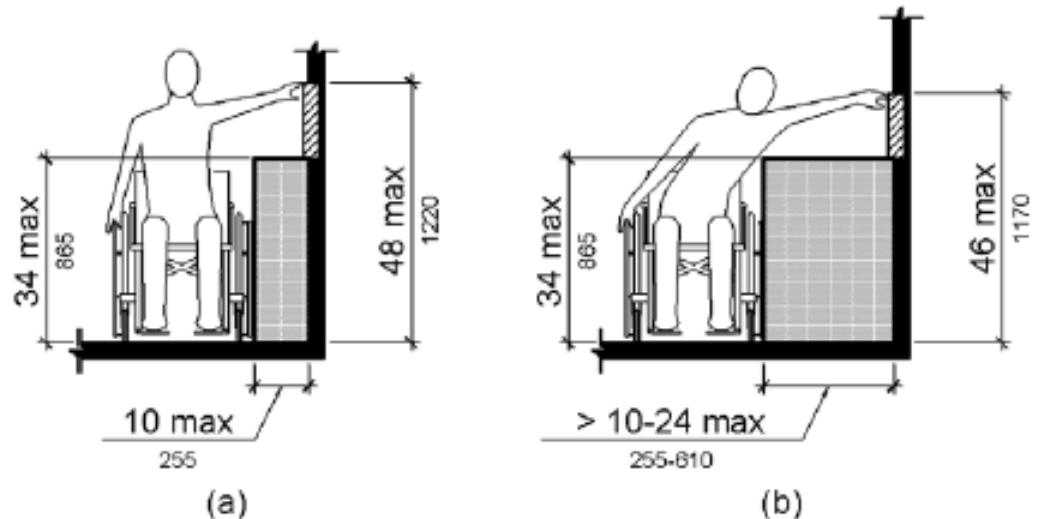
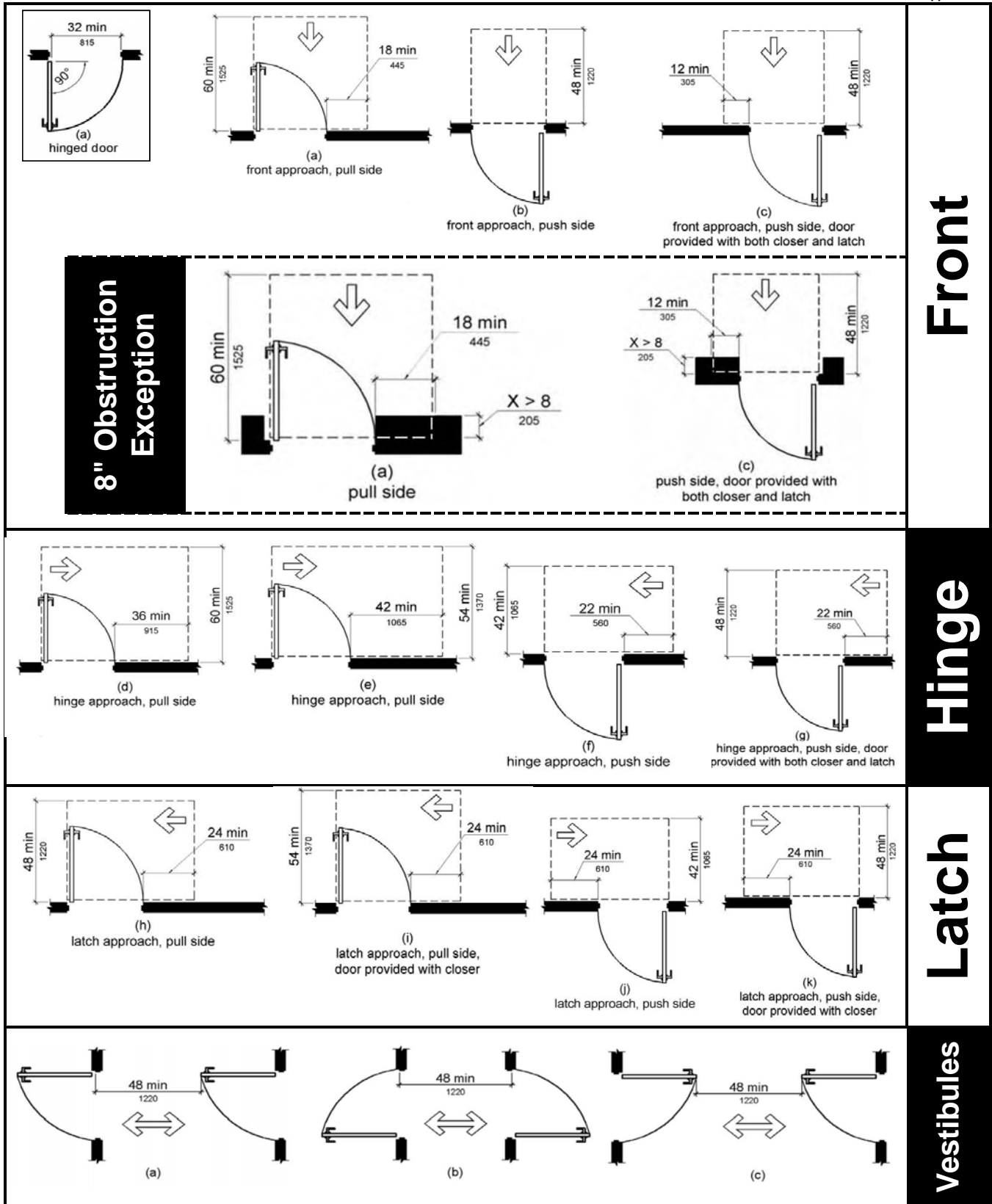


Figure 308.3.2
Obstructed High Side Reach

Door Maneuvering Clearances

Figure 404.2.4

Approach

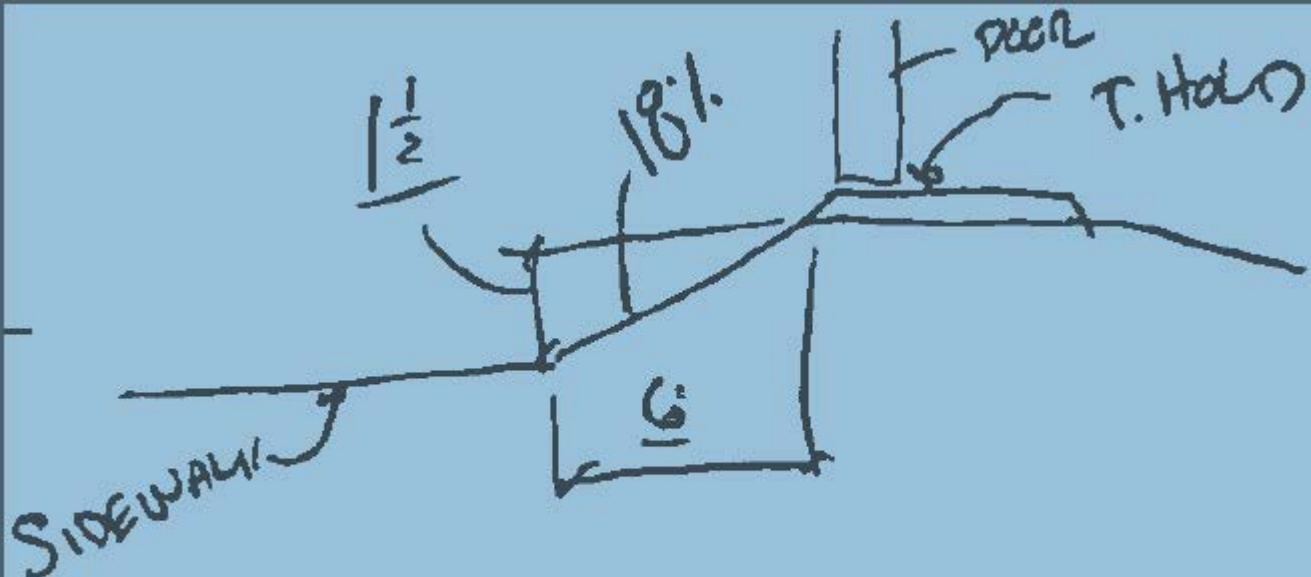


Front

Hinge

Latch

Vestibules



**ADA and State/Local Disabilities Laws
CERTIFICATE OF INSPECTION**

My name is _____ . I am employed by the firm of _____ whose address is _____ and whose telephone number is () _____ .

I am making the following representations at the request of _____ . I understand that these representations are being made for the benefit of Burger King Corporation ("BKC") and that BKC will be relying on my representations.

I hereby certify to BKC as follows:

1. I am a licensed architect in the State of _____. I am familiar with the requirements of Title III of the Americans With Disabilities Act of 1990 ("ADA") and the requirements of the 2010 ADA Standards for Accessible Design (the "2010 ADA Standards"); I am also familiar with the state and local building codes including any disabilities related statutes or codes (collectively the "Codes") in the applicable jurisdiction where the restaurant is located.

2. On _____, 20____, I inspected the newly constructed or altered building and other improvements (the "Remodel Project") known as Burger King Restaurant # _____ with a street address of _____ in the City of _____, State of _____ (the "Restaurant"). As one of the tools for my inspection, I used and completed the Burger King® 2010 ADA Standards Checklist to inspect the Restaurant.

3. My inspection was for compliance of the building, parking areas, paths of travel (including paths of travel to public right of way), and other improvements (collectively the "Restaurant Improvements") with Title III of the ADA, and the requirements of the 2010 ADA Standards, and the Codes regardless if they were altered as part of the Remodel Project. I understand that for purposes of this inspection, I am inspecting the Restaurant Improvements as if it was all newly constructed as of the date the building permits for the Remodel Project were issued.

4. My inspection disclosed that the Restaurant is in compliance with Title III of the ADA, and the requirements of the 2010 ADA Standards and the Codes.

(Seal) Signature: _____
 Date: _____, 20____
 License # or Seal: