

NOTES:

- ALL IRRIGATION LINES AND WIRING UNDER CONCRETE WALKS, SLABS OR PAVING SHALL BE SLEEVED WITH SCH 40 PVC.
- VALVES SHALL BE INSTALLED IN PLASTIC BOXES.
- CONNECTION TO VACUUM BREAKER SHALL BE SCH 40 PVC.
- VACUUM BREAKER TO VALVE MANIFOLDS SHALL BE CL 200 PVC.
- LATERALS DOWNSTREAM OF VALVES SHALL BE CL 160 PVC.
- VACUUM BREAKER SHALL BE MOUNTED 12" ABOVE HIGHEST HEAD OR IRRIGATION LINE AND 5' FROM AUTOMOBILE ACCESS CURBING.
- THIS IRRIGATION DESIGN IS BASED ON 50 P.S.I. WATER PRESSURE AVAILABLE AT ONE INCH LINE AT 16 G.P.M. FLOW. CONTRACTOR SHALL VERIFY THESE CONDITIONS PRIOR TO CONSTRUCTION AND NOTIFY LANDSCAPE ARCHITECT PRIOR TO CONSTRUCTION SHOULD ANY DISCREPANCY EXIST.
- PIPING SHOWN IS DIAGRAMMATIC. CONTRACTOR SHALL ROUTE PIPING TO AVOID CONFLICT WITH EXISTING ELEMENTS AND IMPROVEMENTS.
- NOTIFY LANDSCAPE ARCHITECT PRIOR TO FINAL PRESSURE TEST OF SYSTEM FOR APPROVAL.
- FLAG SLEEVE LOCATIONS AND TAPE ENDS WITH METALIC LOCATOR TAPE.
- MINIMUM COVER FROM FINISH GRADE:
 *PIPE ON PRESSURE SIDE OF CONTROL VALVE: 18"
 *PIPE ON NON PRESSURE SIDE OF CONTROL VALVE: 12"
 *CONTROL WIRES: 18"
- MINIMUM PIPE DISTANCES 6" VERTICAL, 12" HORIZONTAL.
- CONTRACTOR TO PREPARE AS-BUILT DRAWINGS OF FINAL INSTALLATION.
- CONTROL LITER RCM-6 RAINBIRD - WALL MOUNT ON SOUTH WALL IN MAINTENANCE ENCLOSURE.

EMITTER SCHEDULE

SHRUBS: USE BOWSMITH M-10 EMITTER IN SHRUB BEDS WITH TWO OUTFITTERS PER SHRUB.
 TREES: USE 2 BOWSMITH M-20 EMITTERS PER TREE WITH 2 OUTFITTERS OPERATIONAL. REMAINING OUTFITTERS FOR LATER PLANT GROWTH.
 GROUND COVER AREAS: USE BOWSMITH M-10 EMITTERS WITH 4 OUTFITTERS OPERATIONAL. REMAINING OUTFITTERS FOR RESERVE. UTILIZE ONE OPERATIONAL OUTFITTER PER PLANT.
 DRIP LATERALS: USE MAXIMUM 225 G.P.H. AND 300' LENGTH OR 450 G.P.H. AND 500' IF LOOPED.

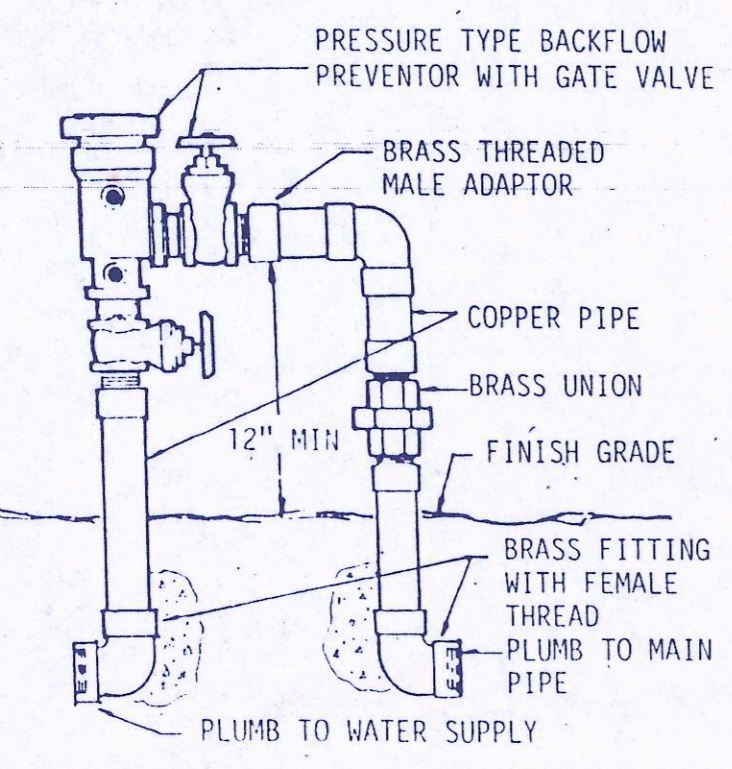
SYMBOL KEY

- RAINBIRD BACKFLOW PREVENTER PVB-100-4
- DRILL VALVE ASSEMBLY
3/4" TRY WATTS #223 PRESSURE REGULATOR
3/4" HYDRORAIN #20 FILTER
3/4" HYDRORAIN #700 SERIES VALVE
- QUICK COUPLER RAINBIRD 3 RC. IN VALVE BOX
- RCM-6 RAINBIRD CONTROLLER
- 2" SCH 40 PVC SLEEVE
- 1" SCH 40 CONNECTION LINE
- 3/4" CLASS 200 PVC MAINLINE
- 3/4" CLASS 160 PVC LATERAL - TREES & SHRUBS
- 3/4" CLASS 160 PVC LATERAL - GROUND COVER
- PVC LINE FLUSH

CLUB

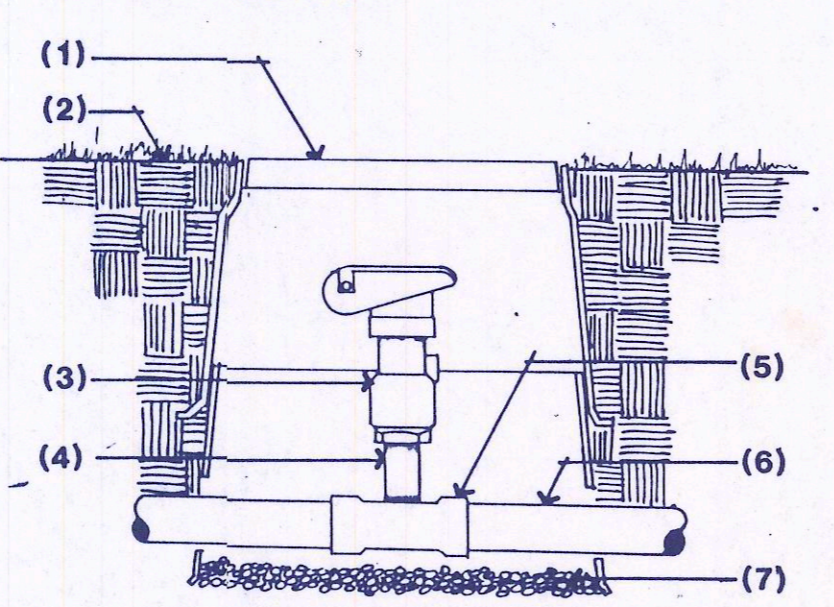
- CONTROLLER HOUSING
- JUNCTION BOX W/ ENCLOSED MINI ON-OFF SWITCH FOR 110 VOLT WIRING
- COVER PLATE OVER JUNCTION BOX
- CONDUIT FOR 110 VOLT WIRING PER ALL CODES
- PVC CONDUIT FOR SOLENOID VALVE WIRING
- FINISH GRADE

NOTE:
CONTROLLER HOUSING FASTENED TO WALL WITH APPROPRIATE MOUNTING HARDWARE

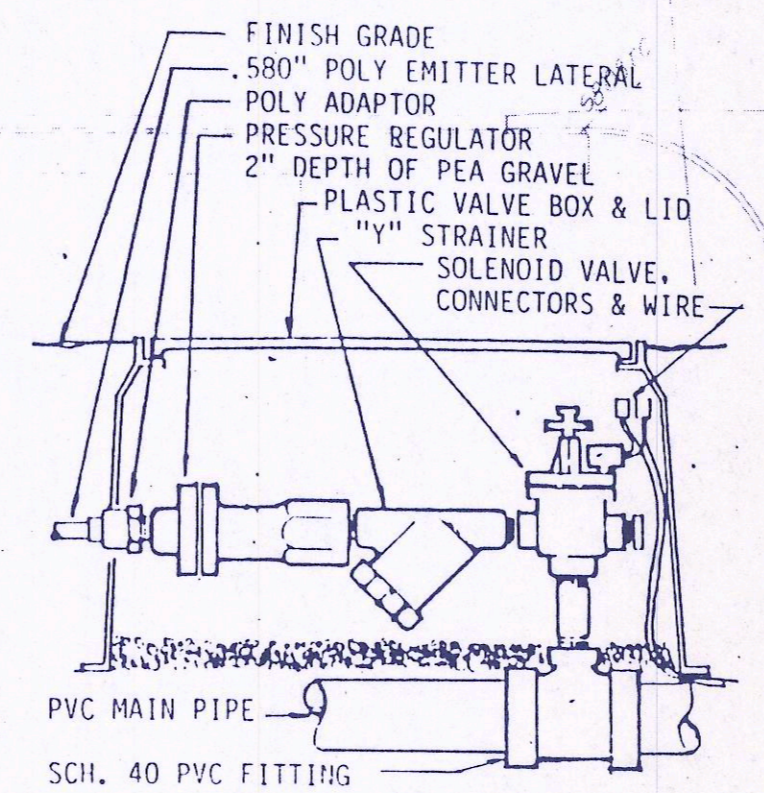


BACKFLOW PREVENTER

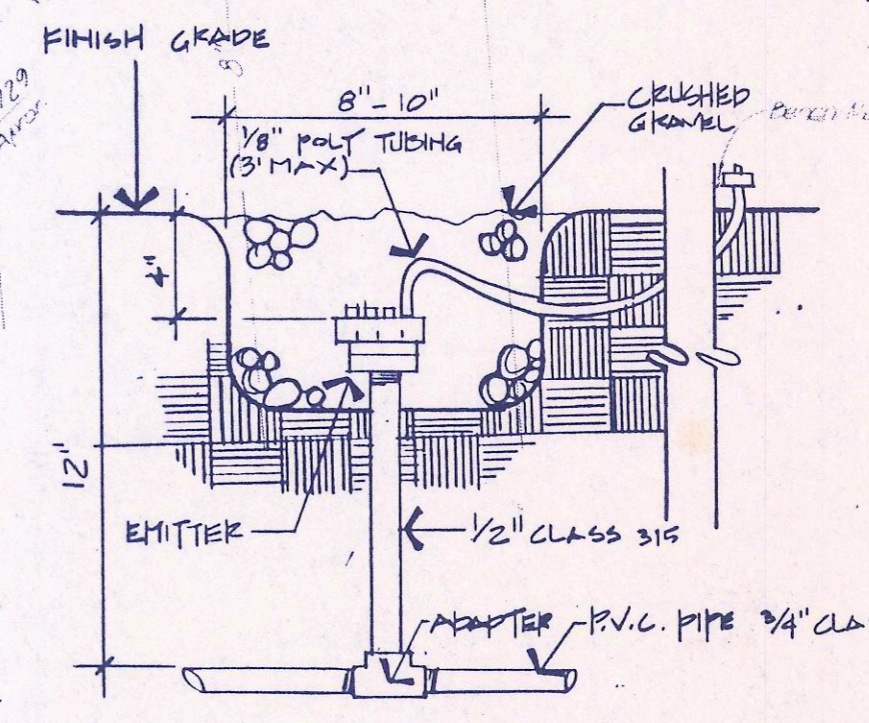
- PLASTIC VALVE BOX W/ COVER & EXTENSION
- FINISH GRADE
- QUICK COUPLER VALVE
- SCH. 80 NIPPLE
- THREADED "T" PVC MAINLINE
- PVC MAINLINE
- PEA GRAVEL 2" DEEP



QUICK COUPLER IN VALVE BOX



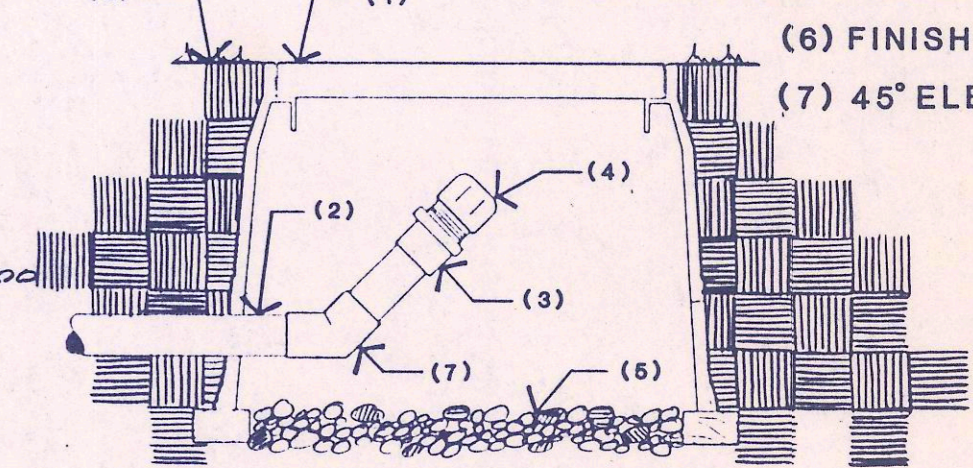
VALVE, FILTER & REGULATOR



DRIP EMITTER

NOTE:
TEFLON TAPE APPLIED TO MALE ADAPTER

- PLASTIC VALVE BOX WITH LID
- CLASS 200 PVC LATERAL
- 3/4" PVC MALE ADAPTER
- 3/4" PVC THREADED CAP
- PEA GRAVEL 4" DEEP
- FINISH GRADE
- 45° ELBOW



PVC LINE FLUSH ASSEMBLY

1 WALL CONTROLLER MOUNT

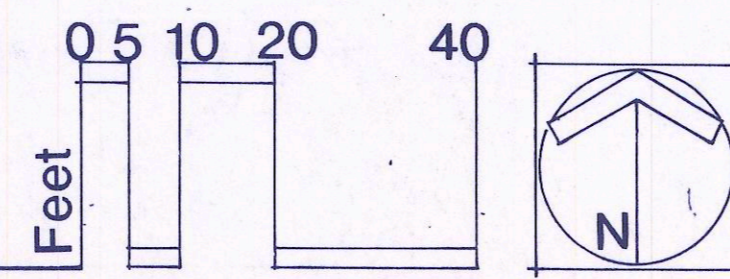
2 BACKFLOW PREVENTER

3 QUICK COUPLER IN VALVE BOX

4 VALVE, FILTER & REGULATOR

5 DRIP EMITTER

6 PVC LINE FLUSH ASSEMBLY



Irrigation Plan

Architecture/Planning/Interior Design
LENDRUM DESIGN GROUP
 3033 North Forty-fourth Street
 Phoenix, Arizona 85018
 602/955-2100

Michael B. ...
 11-1-88

MeraBank
 KINGMAN, ARIZONA
 BRANCH BANK

JOB NUMBER
10434
 DATE
11-11-88
 DRAWN
DB
 CHECKED
NED
 SHEET TITLE
Irrigation Plan

SCALE
1"=20'
 REVISIONS

DRAWING NUMBER
L1.1