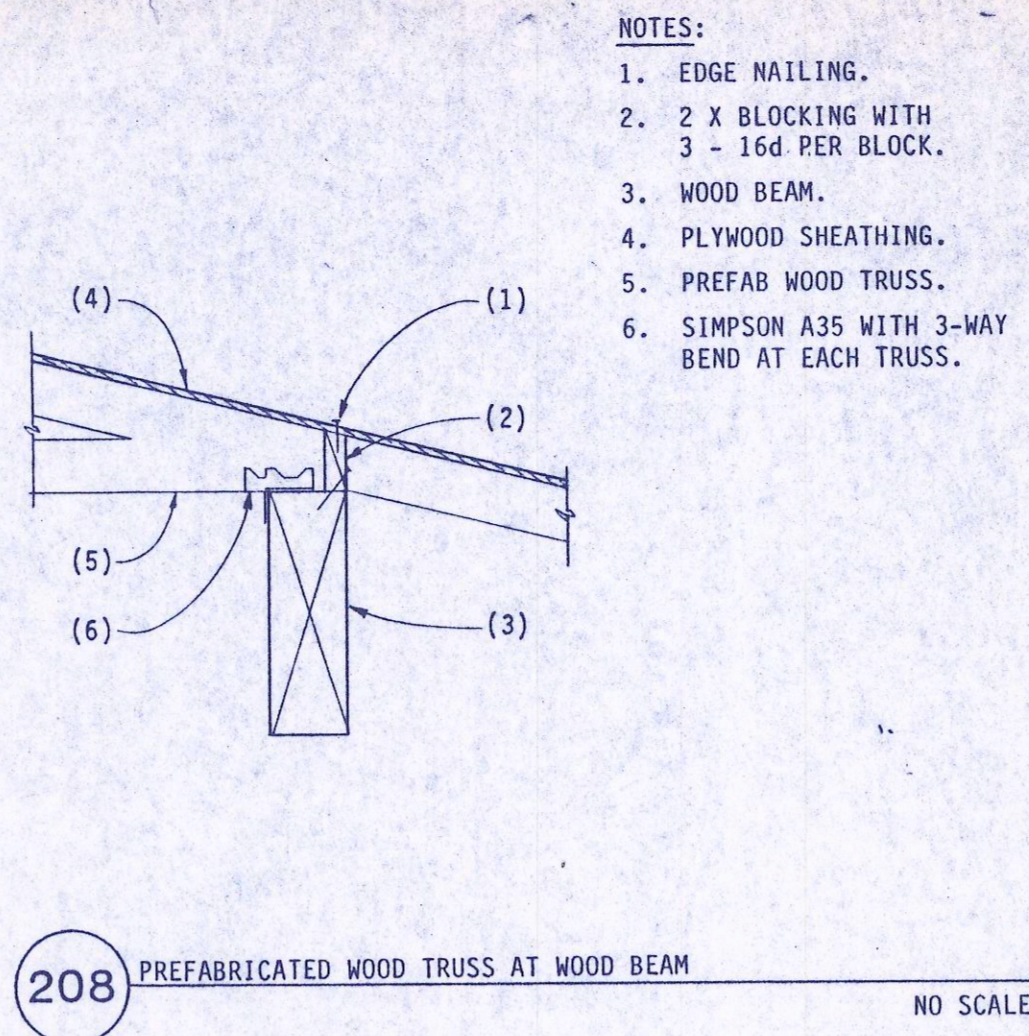


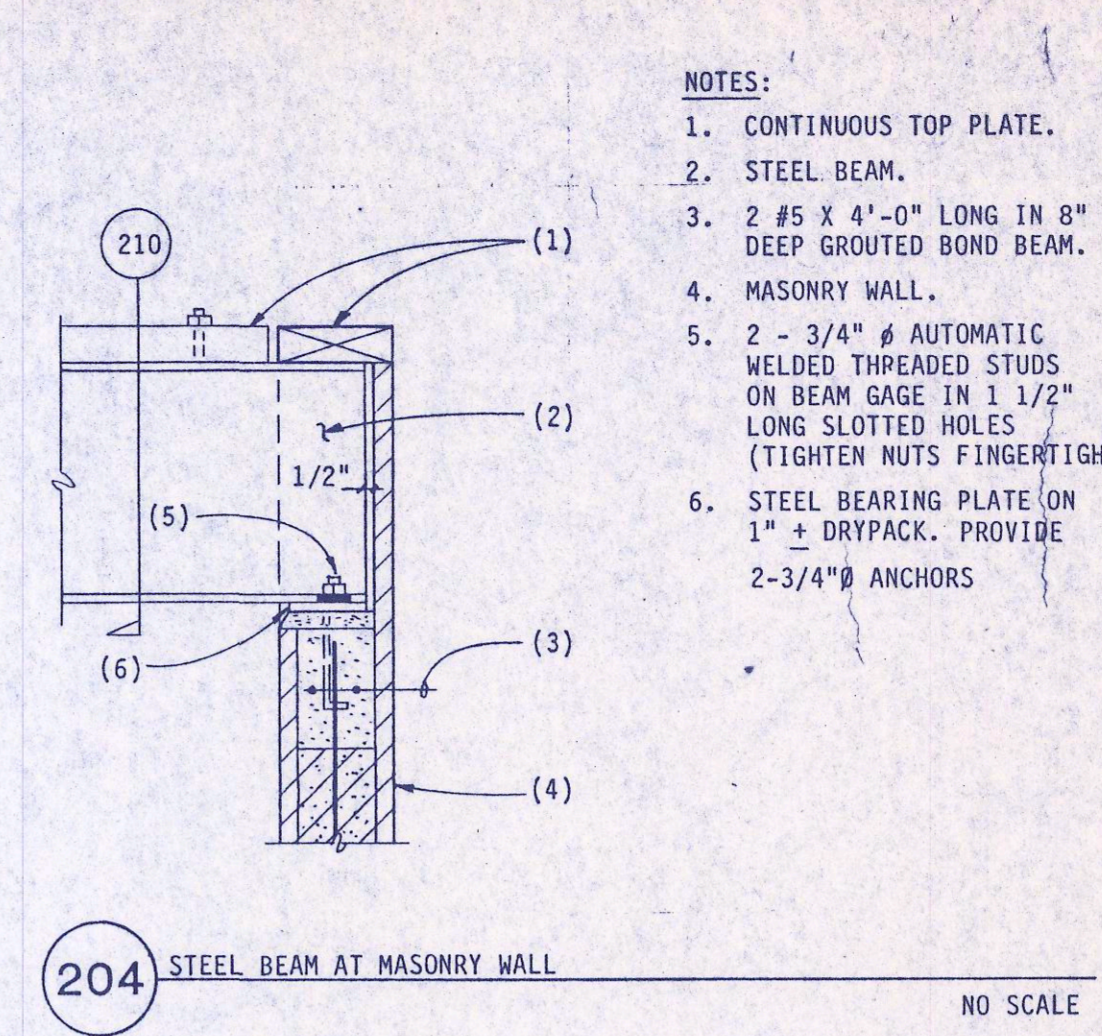
- NOTES:
- PLYWOOD SHEATHING.
 - PREFAB WOOD TRUSSES.
 - 16d @ 6" O.C.
 - 3 X CONTINUOUS PLATE WITH 3/4" # ANCHOR BOLTS @ 48" O.C. - COUNTERSUNK.
 - CONTINUOUS GROUDED BOND BEAM - SEE G.S.N.
 - MASONRY WALL.
 - VALLEY SET TRUSSES.
 - EDGE NAILING.
 - 2 X BLOCKING WITH 3 - 16d PER BLOCK.
 - SIMPSON A35 AT EACH TRUSS WITH 3-WAY BEND.

212 PREFAB WOOD TRUSSES AT MASONRY WALL NO SCALE



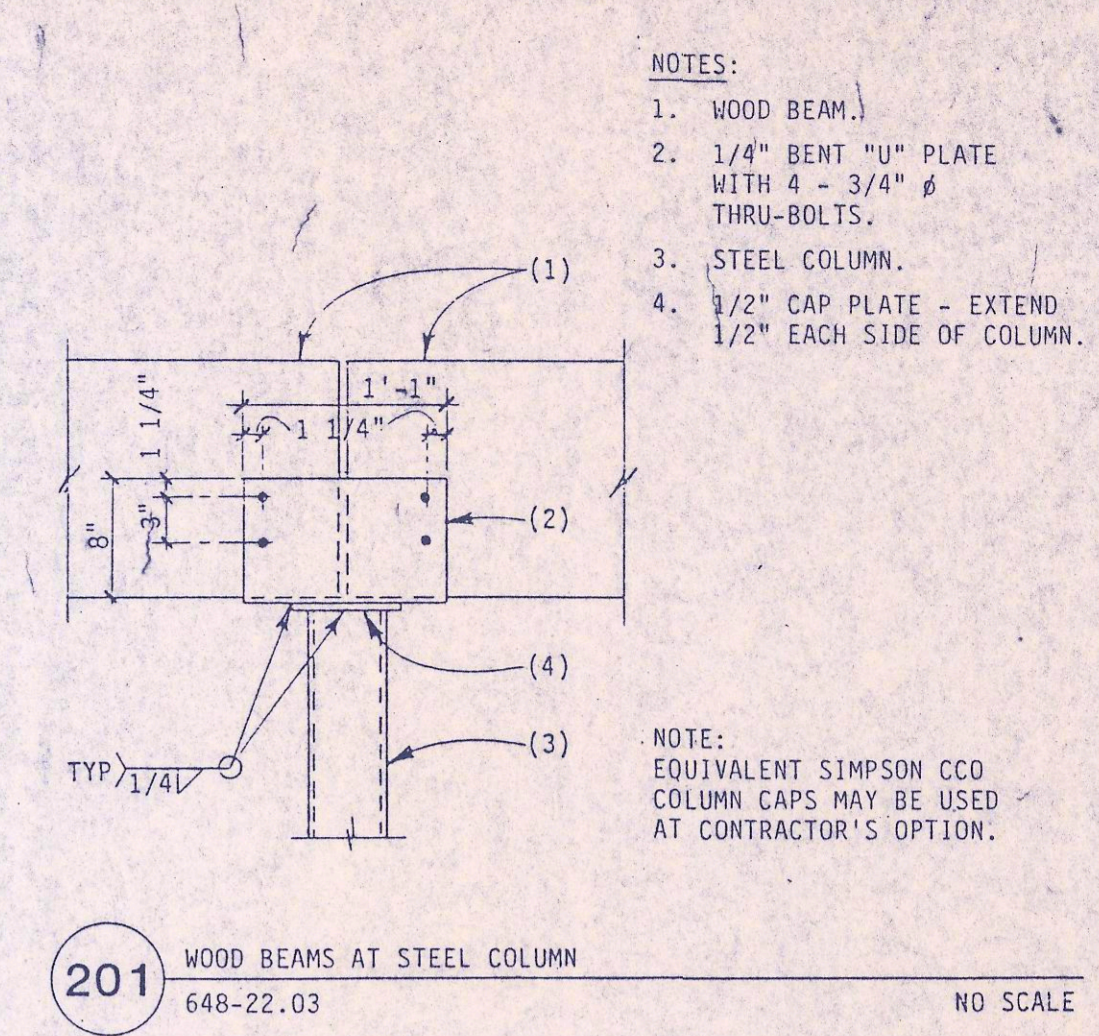
- NOTES:
- EDGE NAILING.
 - 2 X BLOCKING WITH 3 - 16d PER BLOCK.
 - WOOD BEAM.
 - PLYWOOD SHEATHING.
 - PREFAB WOOD TRUSS.
 - SIMPSON A35 WITH 3-WAY BEND AT EACH TRUSS.

208 PREFABRICATED WOOD TRUSS AT WOOD BEAM NO SCALE



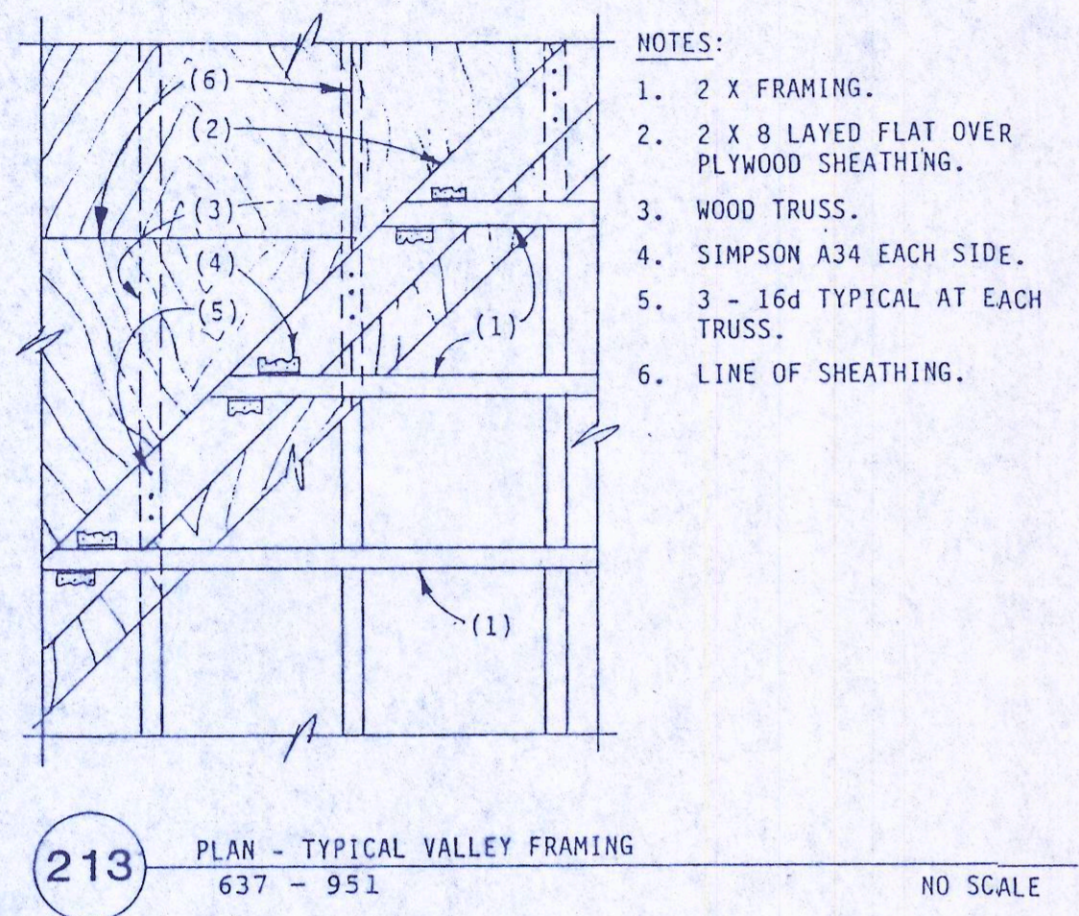
- NOTES:
- CONTINUOUS TOP PLATE.
 - STEEL BEAM.
 - 2 #5 X 4'-0" LONG IN 8" DEEP GROUDED BOND BEAM.
 - MASONRY WALL.
 - 2 - 3/4" # AUTOMATIC WELDED THREADED STUDS ON BEAM GAUGE IN 1 1/2" LONG SLOTTED HOLES (TIGHTEN NUTS FINGERTIGHT).
 - STEEL BEARING PLATE ON 1" # DRYPACK. PROVIDE 2-3/4" # ANCHORS

204 STEEL BEAM AT MASONRY WALL NO SCALE



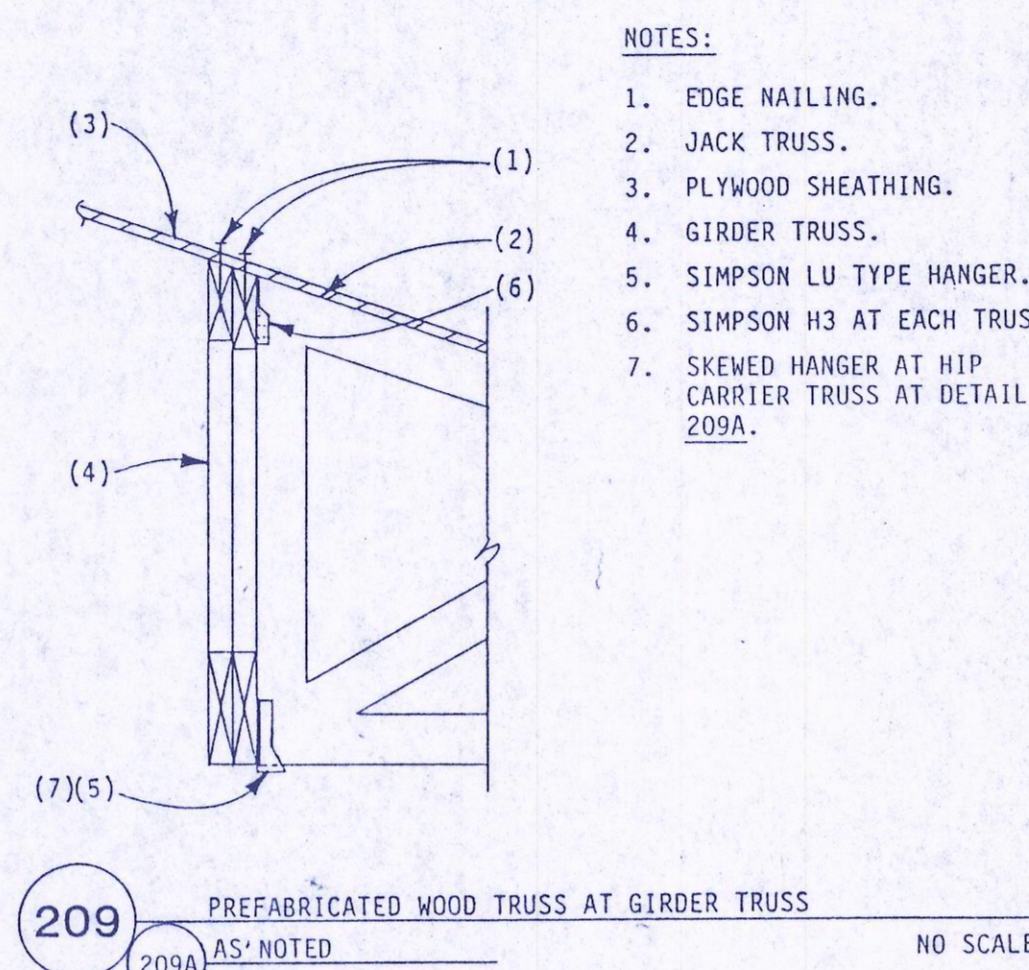
- NOTES:
- WOOD BEAM.
 - 1/4" BENT "U" PLATE WITH 4 - 3/4" # THRU-BOLTS.
 - STEEL COLUMN.
 - 1/2" CAP PLATE - EXTEND 1/2" EACH SIDE OF COLUMN.
- NOTE: EQUIVALENT SIMPSON CCO COLUMN CAPS MAY BE USED AT CONTRACTOR'S OPTION.

201 WOOD BEAMS AT STEEL COLUMN NO SCALE



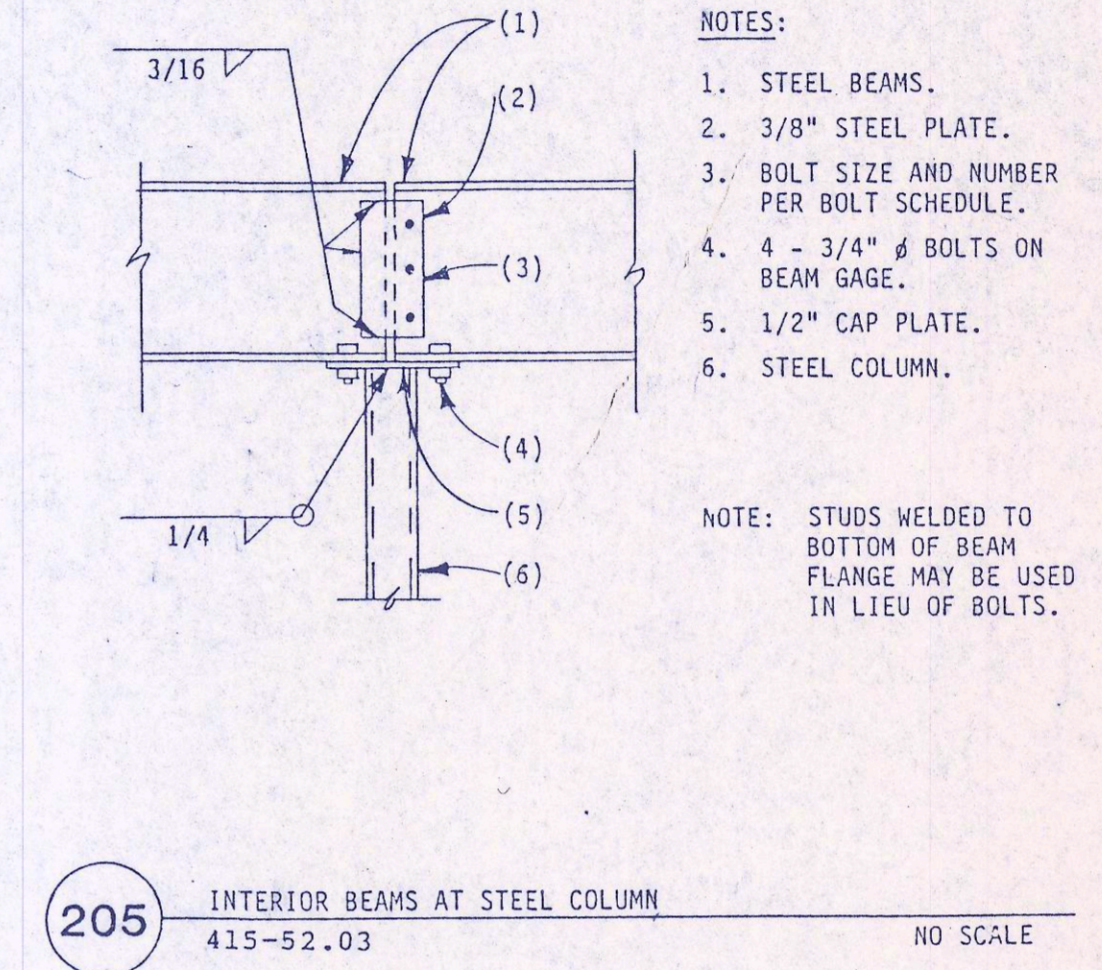
- NOTES:
- 2 X 8 FRAMING.
 - 2 X 8 LAYED FLAT OVER PLYWOOD SHEATHING.
 - WOOD TRUSS.
 - SIMPSON A34 EACH SIDE.
 - 3 - 16d TYPICAL AT EACH TRUSS.
 - LINE OF SHEATHING.

213 PLAN - TYPICAL VALLEY FRAMING NO SCALE



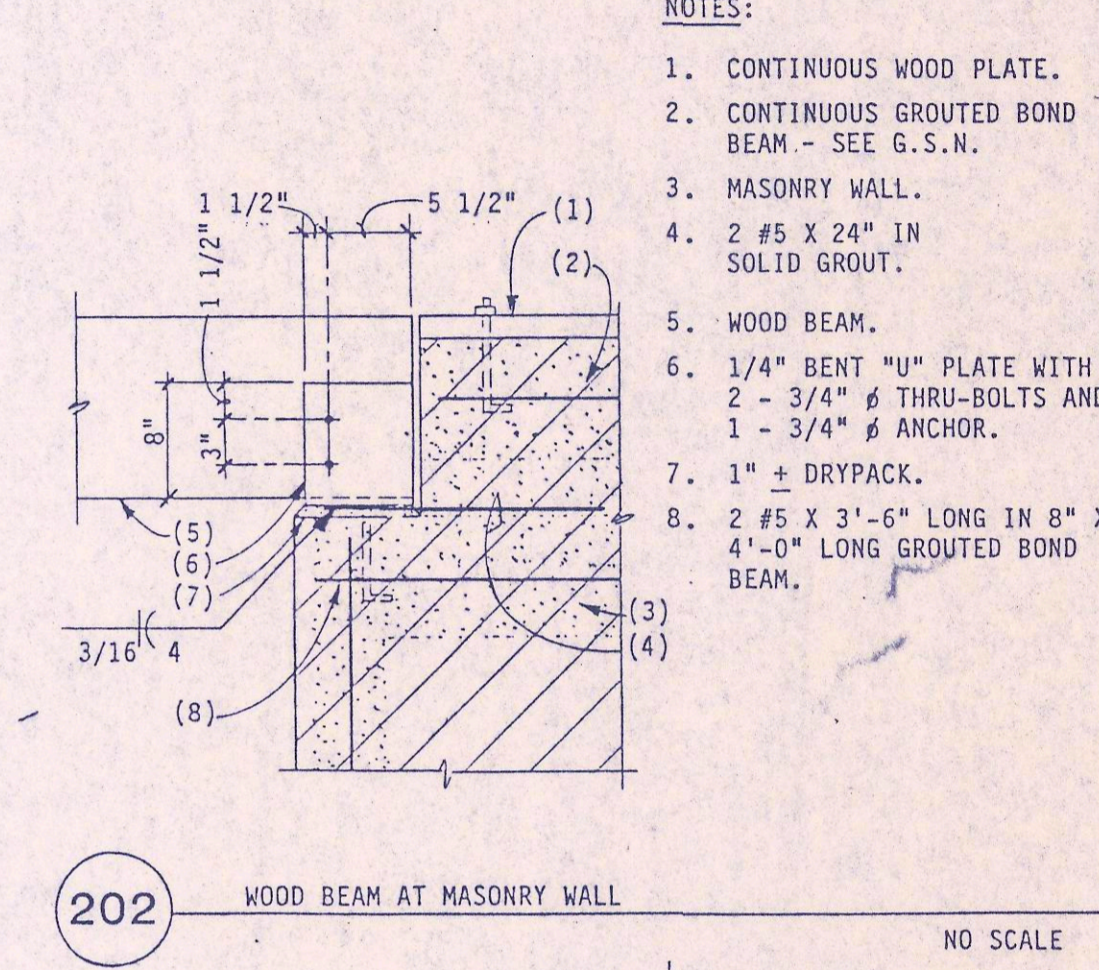
- NOTES:
- EDGE NAILING.
 - JACK TRUSS.
 - PLYWOOD SHEATHING.
 - GIRDER TRUSS.
 - SIMPSON LU TYPE HANGER.
 - SIMPSON H3 AT EACH TRUSS.
 - SKEWED HANGER AT HIP CARRIER TRUSS AT DETAIL 209A.

209 PREFABRICATED WOOD TRUSS AT GIRDER TRUSS NO SCALE



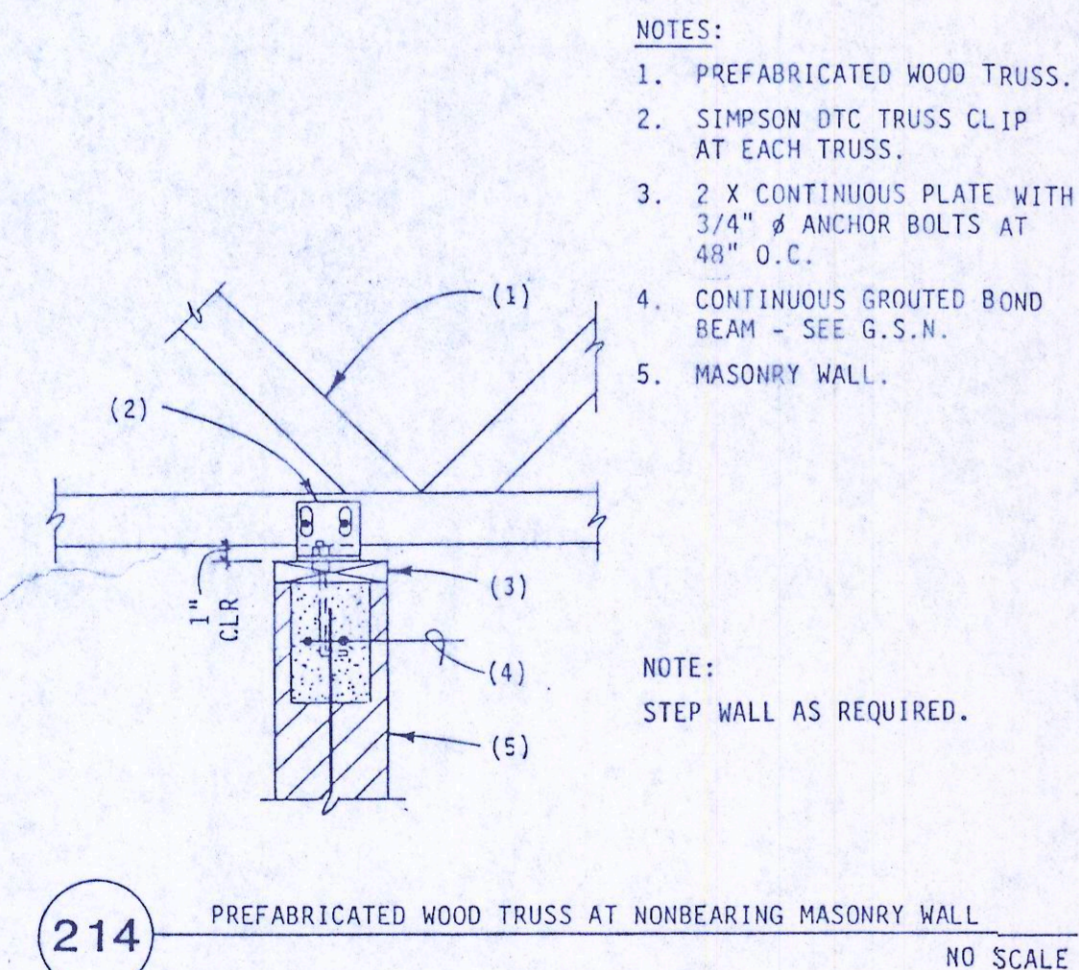
- NOTES:
- STEEL BEAMS.
 - 3/8" STEEL PLATE.
 - BOLT SIZE AND NUMBER PER BOLT SCHEDULE.
 - 4 - 3/4" # BOLTS ON BEAM GAUGE.
 - 1/2" CAP PLATE.
 - STEEL COLUMN.
- NOTE: STUDS WELDED TO BOTTOM OF BEAM FLANGE MAY BE USED IN LIEU OF BOLTS.

205 INTERIOR BEAMS AT STEEL COLUMN NO SCALE



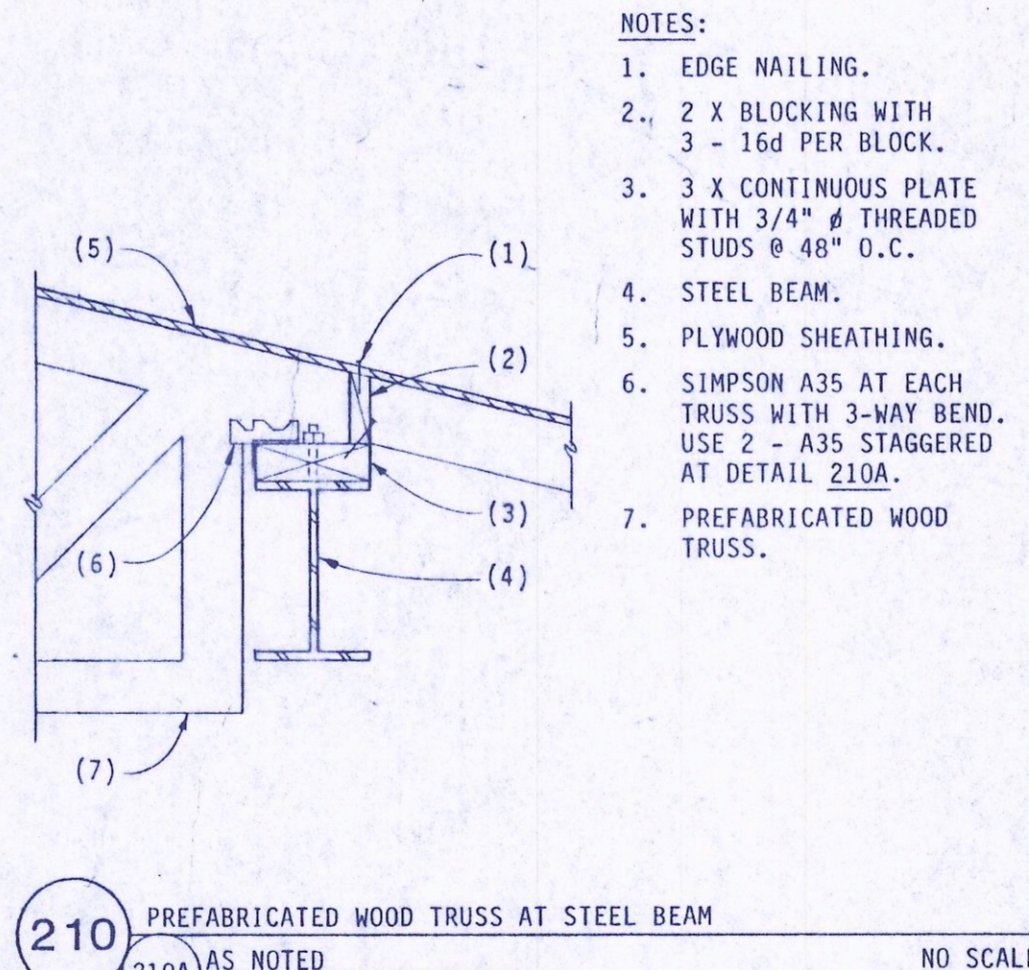
- NOTES:
- CONTINUOUS WOOD PLATE.
 - CONTINUOUS GROUDED BOND BEAM - SEE G.S.N.
 - MASONRY WALL.
 - 2 #5 X 24" IN SOLID GROUT.
 - WOOD BEAM.
 - 1/4" BENT "U" PLATE WITH 2 - 3/4" # THRU-BOLTS AND 1 - 3/4" # ANCHOR.
 - 1" # DRYPACK.
 - 2 #5 X 3'-6" LONG IN 8" X 4'-0" LONG GROUDED BOND BEAM.

202 WOOD BEAM AT MASONRY WALL NO SCALE



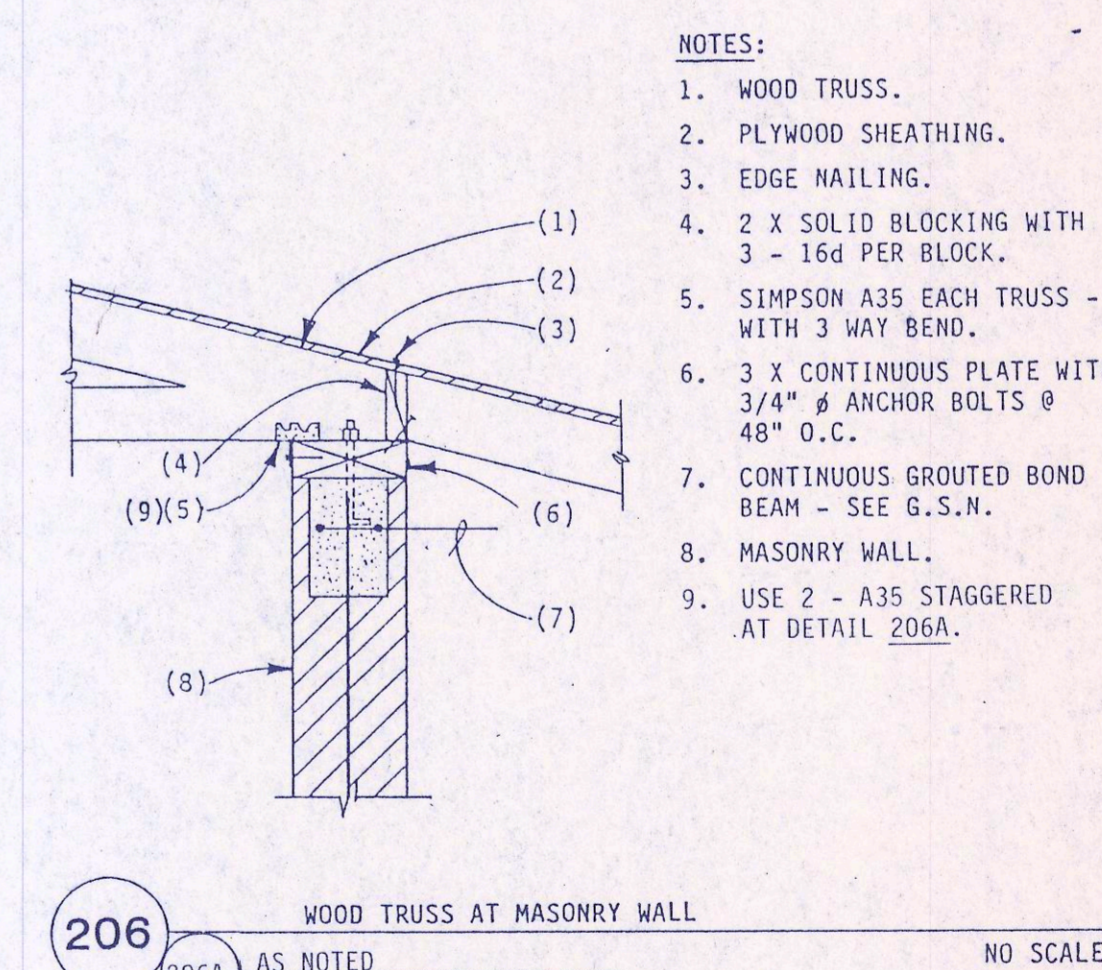
- NOTES:
- PREFABRICATED WOOD TRUSS.
 - SIMPSON DTC TRUSS CLIP AT EACH TRUSS.
 - 2 X CONTINUOUS PLATE WITH 3/4" # ANCHOR BOLTS AT 48" O.C.
 - CONTINUOUS GROUDED BOND BEAM - SEE G.S.N.
 - MASONRY WALL.
- NOTE: STEP WALL AS REQUIRED.

214 PREFABRICATED WOOD TRUSS AT NONBEARING MASONRY WALL NO SCALE



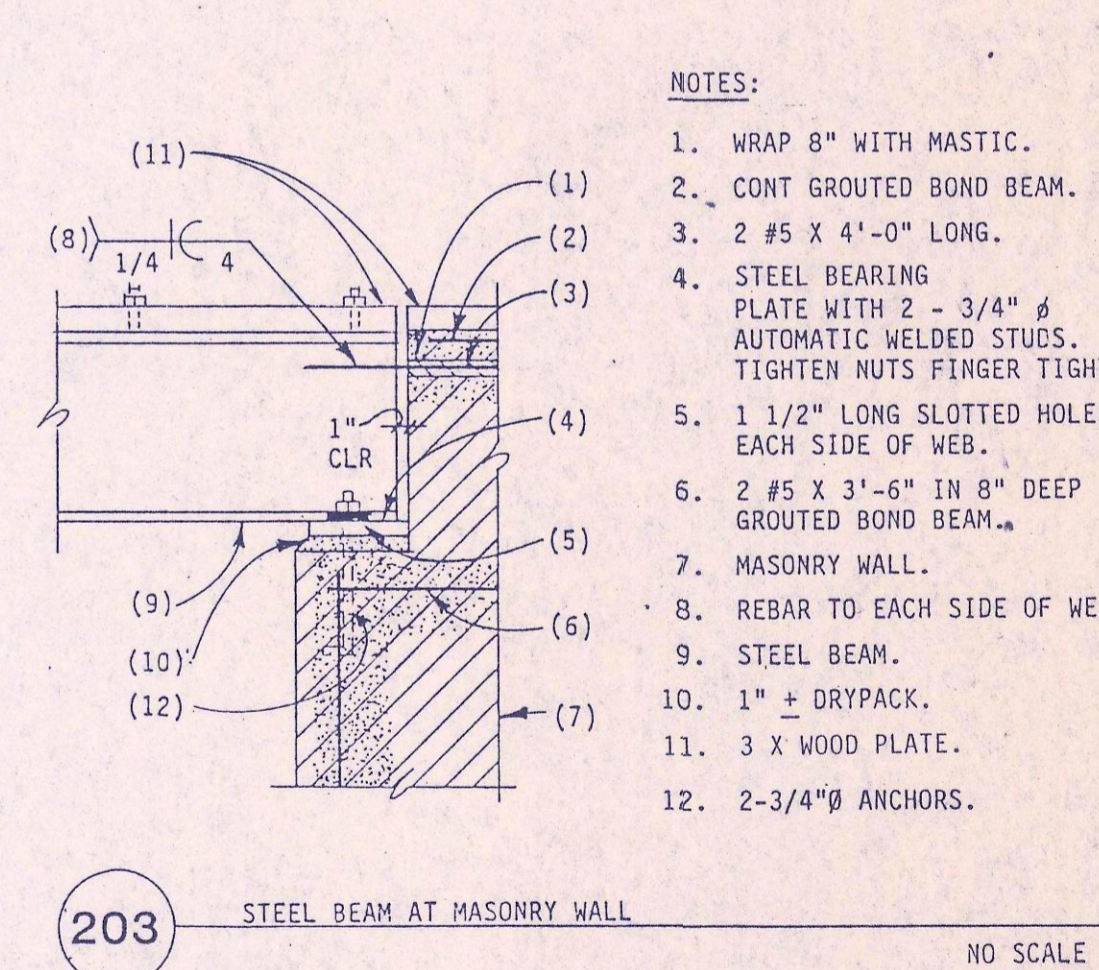
- NOTES:
- EDGE NAILING.
 - 2 X BLOCKING WITH 3 - 16d PER BLOCK.
 - 3 X CONTINUOUS PLATE WITH 3/4" # THREADED STUDS @ 48" O.C.
 - STEEL BEAM.
 - PLYWOOD SHEATHING.
 - SIMPSON A35 AT EACH TRUSS WITH 3-WAY BEND. USE 2 - A35 STAGGERED AT DETAIL 210A.
 - PREFABRICATED WOOD TRUSS.

210 PREFABRICATED WOOD TRUSS AT STEEL BEAM NO SCALE



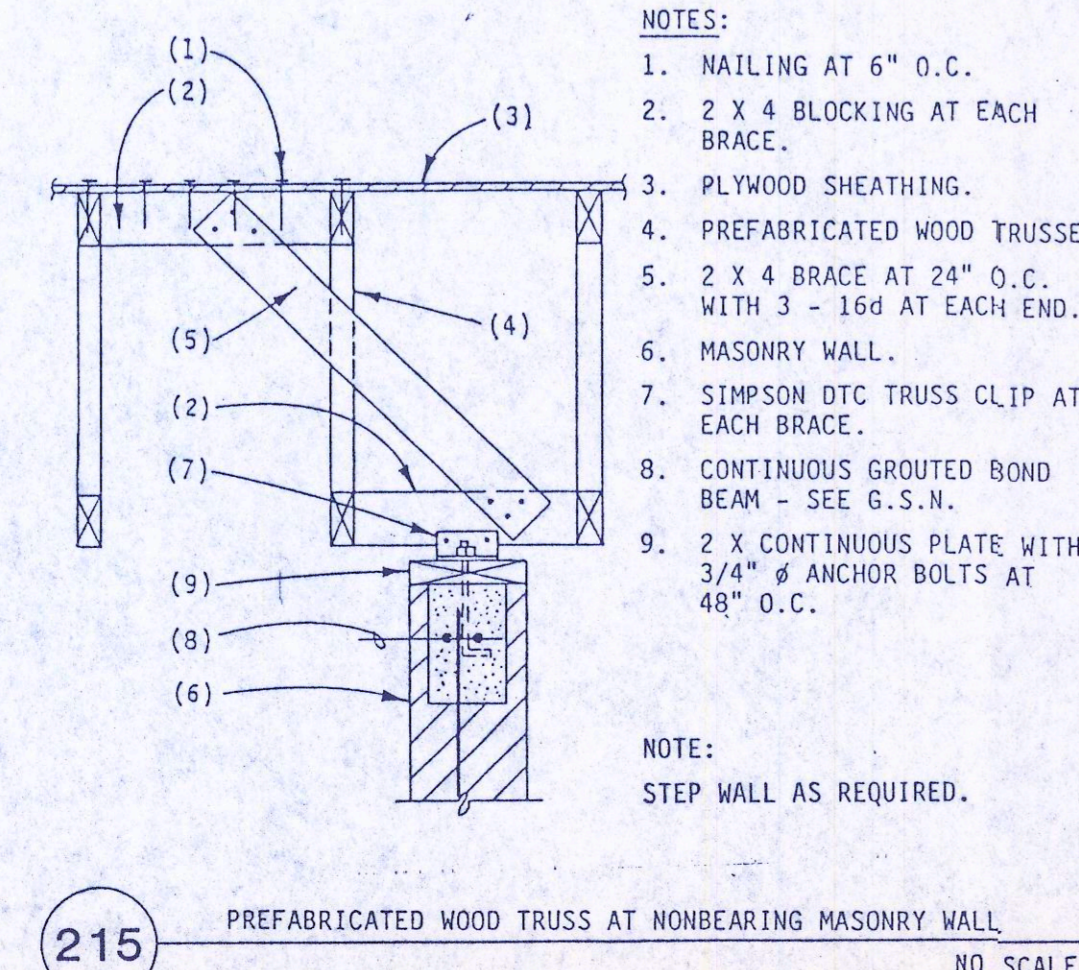
- NOTES:
- WOOD TRUSS.
 - PLYWOOD SHEATHING.
 - EDGE NAILING.
 - 2 X SOLID BLOCKING WITH 3 - 16d PER BLOCK.
 - SIMPSON A35 EACH TRUSS - WITH 3 WAY BEND.
 - 3 X CONTINUOUS PLATE WITH 3/4" # ANCHOR BOLTS @ 48" O.C.
 - CONTINUOUS GROUDED BOND BEAM - SEE G.S.N.
 - MASONRY WALL.
 - USE 2 - A35 STAGGERED AT DETAIL 206A.

206 WOOD TRUSS AT MASONRY WALL NO SCALE



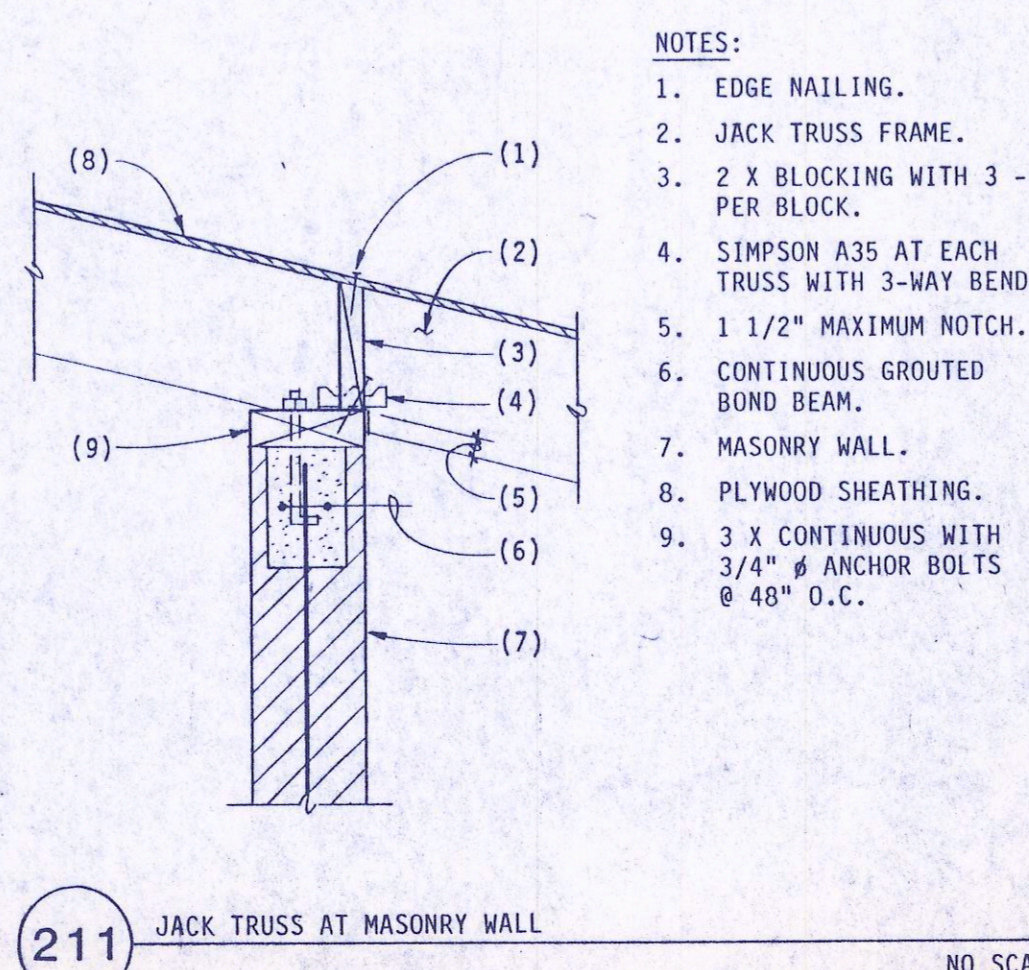
- NOTES:
- WRAP 8" WITH MASTIC.
 - CONT GROUDED BOND BEAM.
 - 2 #5 X 4'-0" LONG.
 - STEEL BEARING PLATE WITH 2 - 3/4" # AUTOMATIC WELDED STUDS. TIGHTEN NUTS FINGER TIGHT.
 - 1 1/2" LONG SLOTTED HOLES EACH SIDE OF WEB.
 - 2 #5 X 3'-6" IN 8" DEEP GROUDED BOND BEAM.
 - MASONRY WALL.
 - REBAR TO EACH SIDE OF WEB.
 - STEEL BEAM.
 - 1" # DRYPACK.
 - 3 X WOOD PLATE.
 - 2-3/4" # ANCHORS.

203 STEEL BEAM AT MASONRY WALL NO SCALE



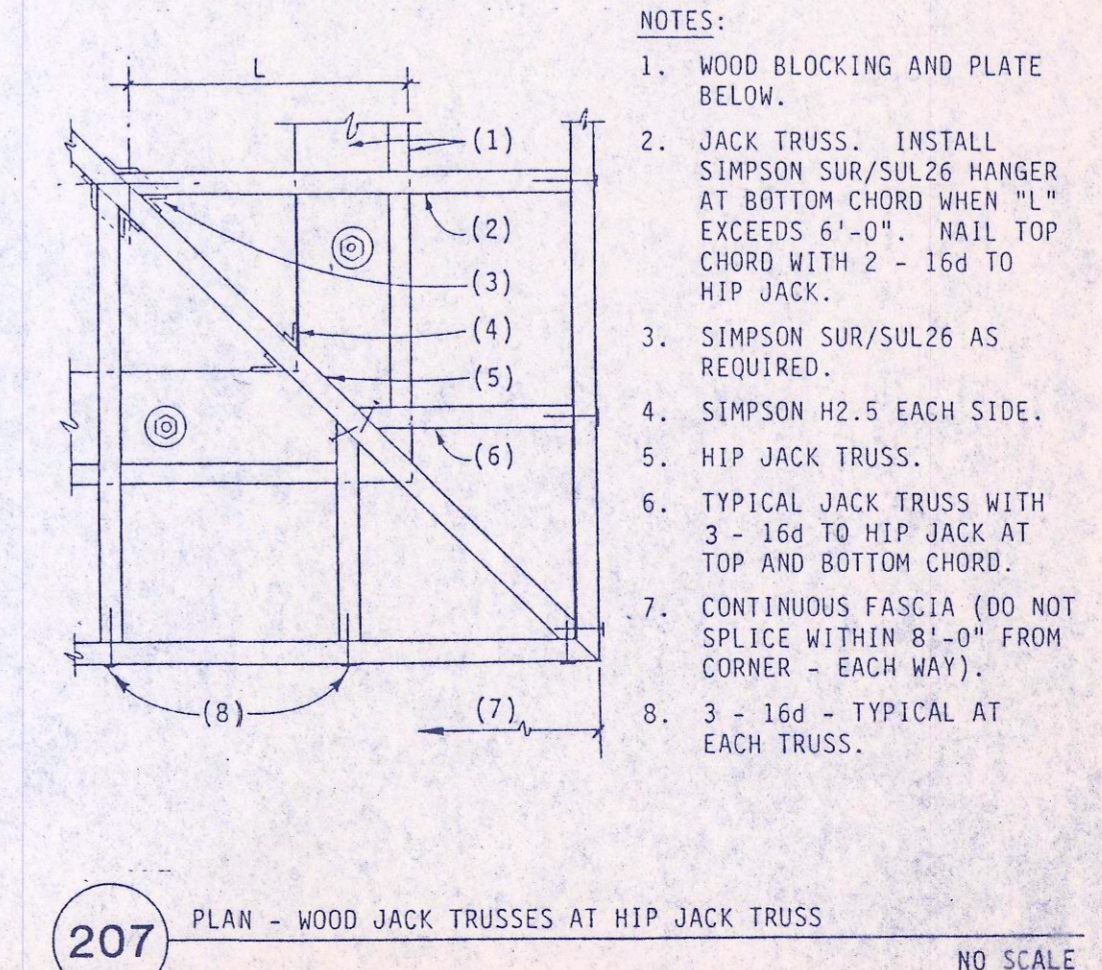
- NOTES:
- NAILING AT 6" O.C.
 - 2 X 4 BLOCKING AT EACH BRACE.
 - PLYWOOD SHEATHING.
 - PREFABRICATED WOOD TRUSSES.
 - 2 X 4 BRACE AT 24" O.C. WITH 3 - 16d AT EACH END.
 - MASONRY WALL.
 - SIMPSON DTC TRUSS CLIP AT EACH BRACE.
 - CONTINUOUS GROUDED BOND BEAM - SEE G.S.N.
 - 2 X CONTINUOUS PLATE WITH 3/4" # ANCHOR BOLTS AT 48" O.C.
- NOTE: STEP WALL AS REQUIRED.

215 PREFABRICATED WOOD TRUSS AT NONBEARING MASONRY WALL NO SCALE



- NOTES:
- EDGE NAILING.
 - JACK TRUSS FRAME.
 - 2 X BLOCKING WITH 3 - 16d PER BLOCK.
 - SIMPSON A35 AT EACH TRUSS WITH 3-WAY BEND.
 - 1 1/2" MAXIMUM NOTCH.
 - CONTINUOUS GROUDED BOND BEAM.
 - MASONRY WALL.
 - PLYWOOD SHEATHING.
 - 3 X CONTINUOUS WITH 3/4" # ANCHOR BOLTS @ 48" O.C.

211 JACK TRUSS AT MASONRY WALL NO SCALE



- NOTES:
- WOOD BLOCKING AND PLATE BELOW.
 - JACK TRUSS. INSTALL SIMPSON SUR/SUL26 HANGER AT BOTTOM CHORD WHEN "L" EXCEEDS 6'-0". NAIL TOP CHORD WITH 2 - 16d TO HIP JACK.
 - SIMPSON SUR/SUL26 AS REQUIRED.
 - SIMPSON H2.5 EACH SIDE.
 - HIP JACK TRUSS.
 - TYPICAL JACK TRUSS WITH 3 - 16d TO HIP JACK AT TOP AND BOTTOM CHORD.
 - CONTINUOUS FASCIA (DO NOT SPLICE WITHIN 8'-0" FROM CORNER - EACH WAY).
 - 3 - 16d - TYPICAL AT EACH TRUSS.

207 PLAN - WOOD JACK TRUSSES AT HIP JACK TRUSS NO SCALE

	88-581 Project Number	For additional information shown,
	CRP Project Manager	but not noted,
	CRP Project Engineer	see sheet S1.1
	WLC Project Drafter	

