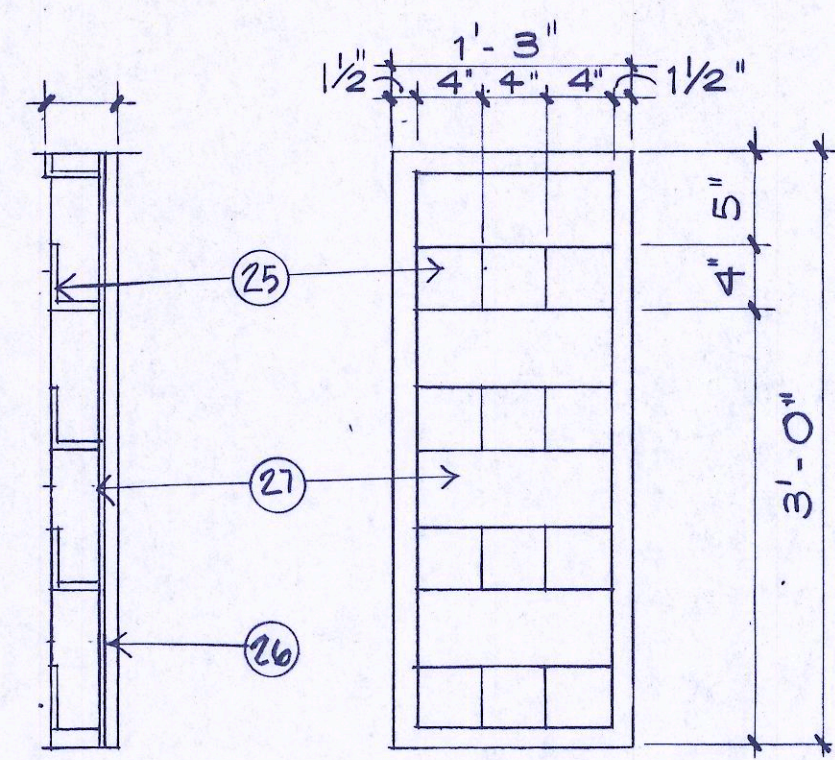
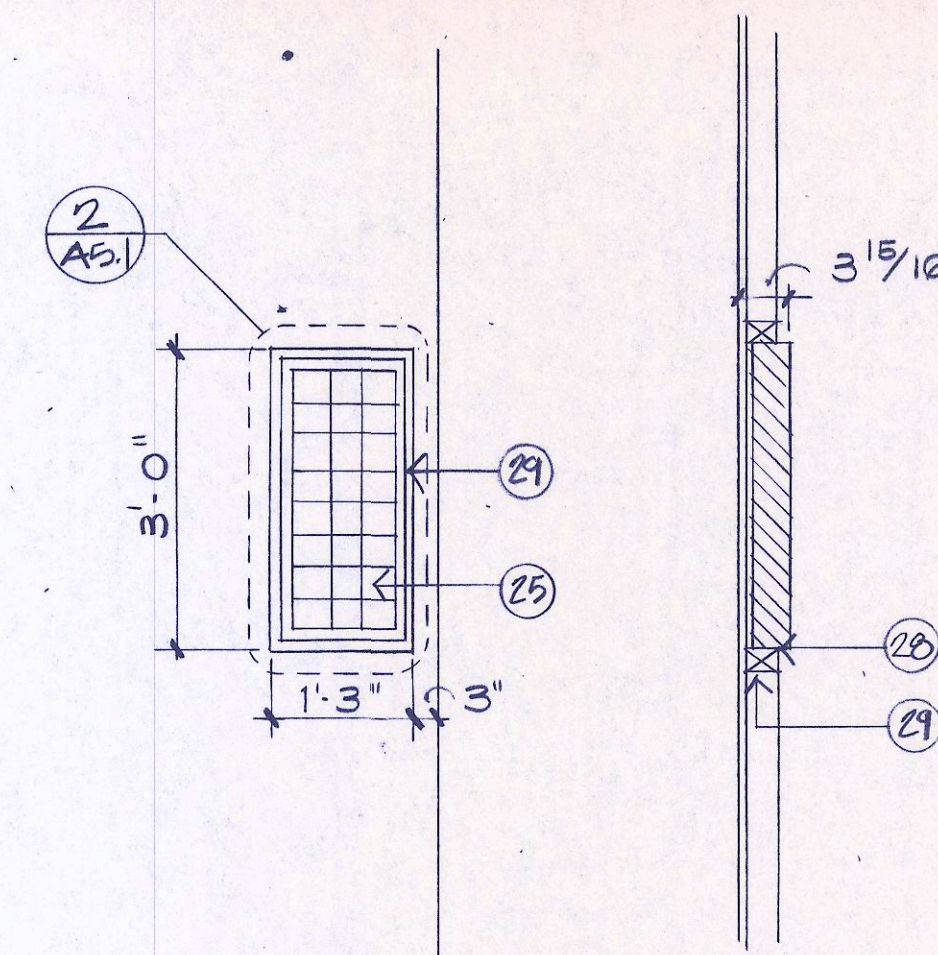


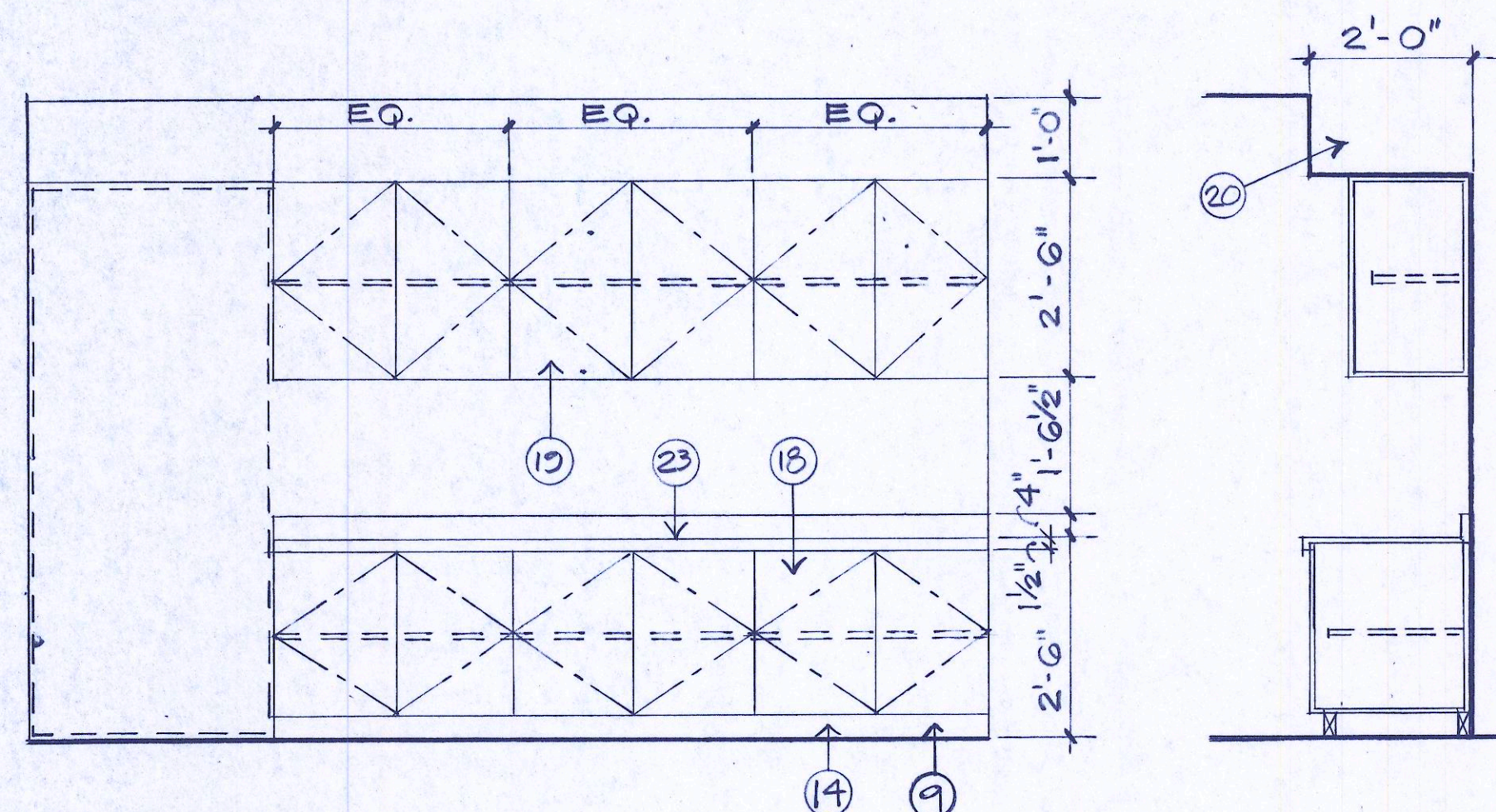
1 CHECK STAND



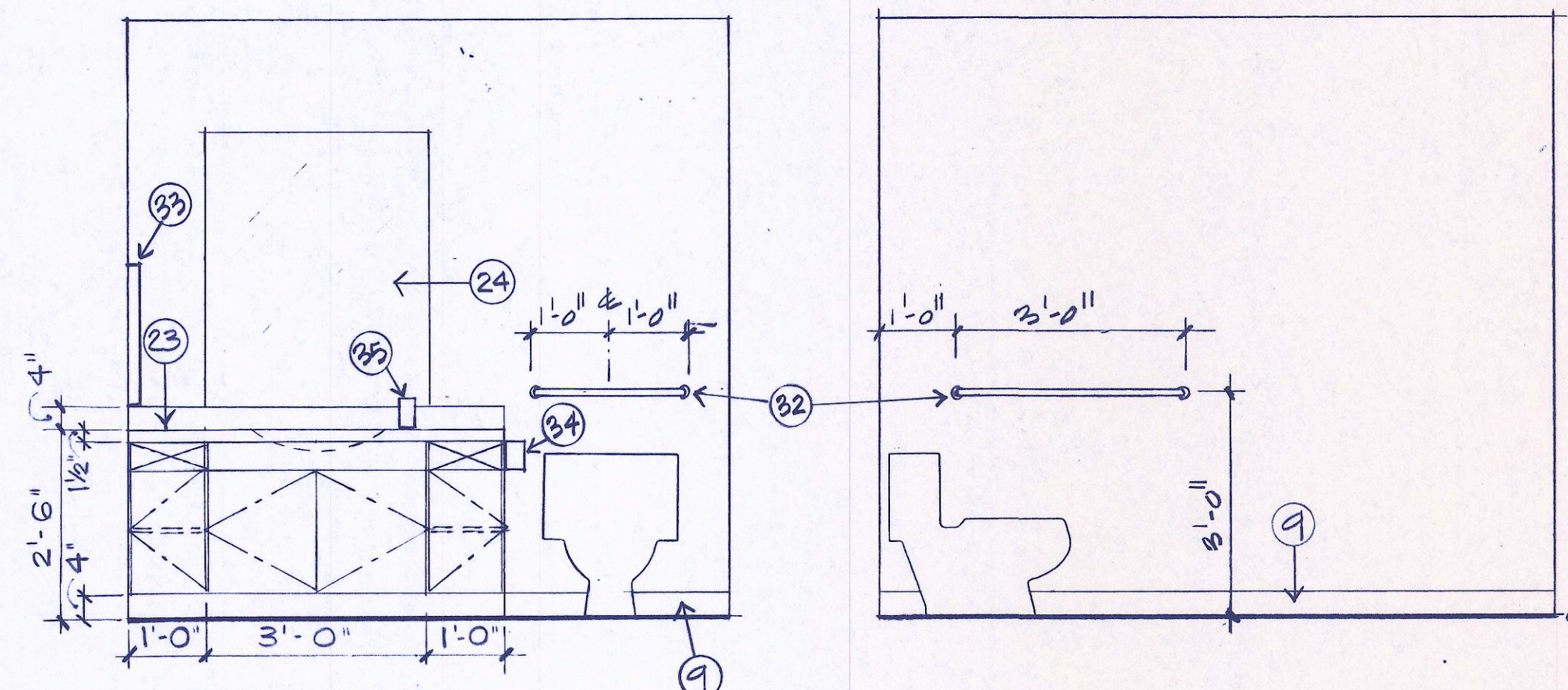
2 DETAIL @ BROCHURE RACK



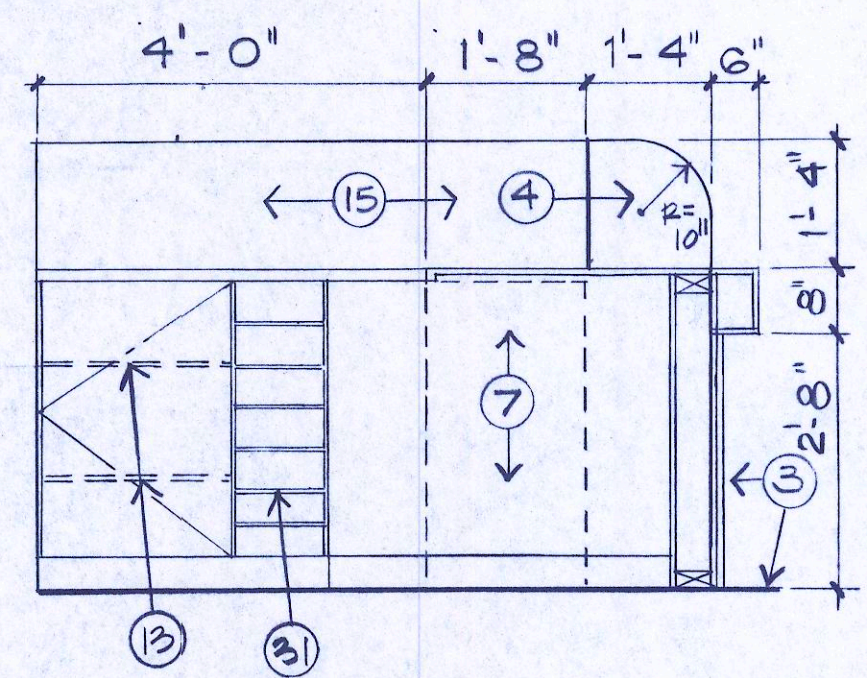
3 DETAIL @ BROCHURE RACK



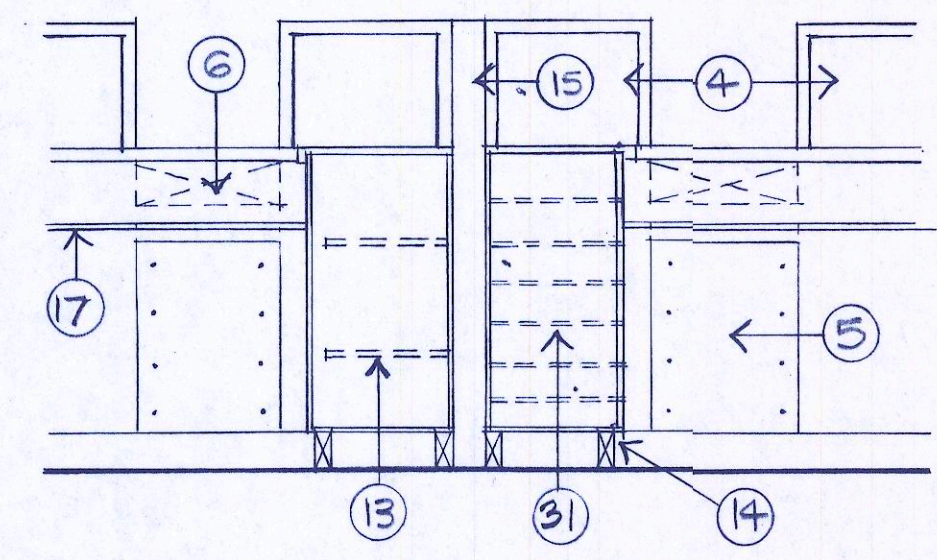
4 COUNTER @ LOUNGE



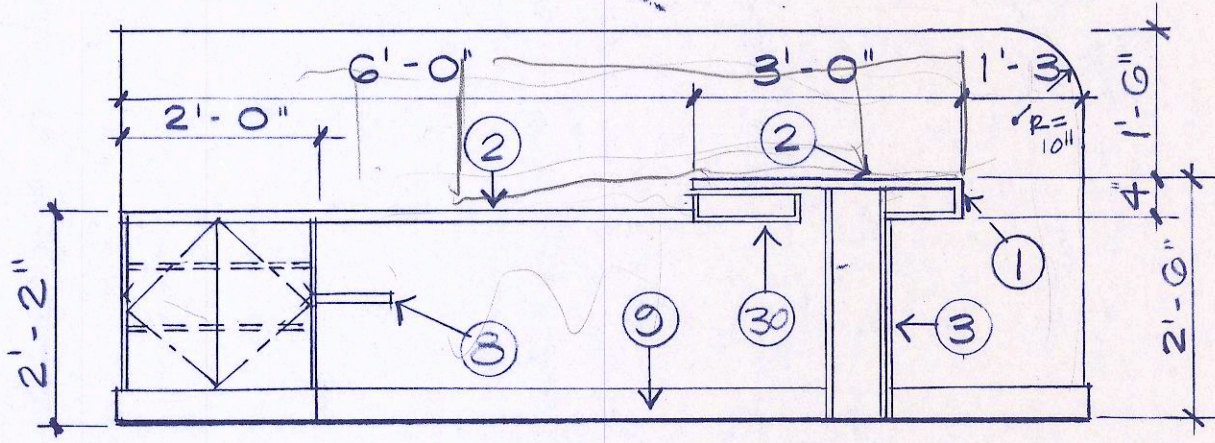
5 BATHROOM



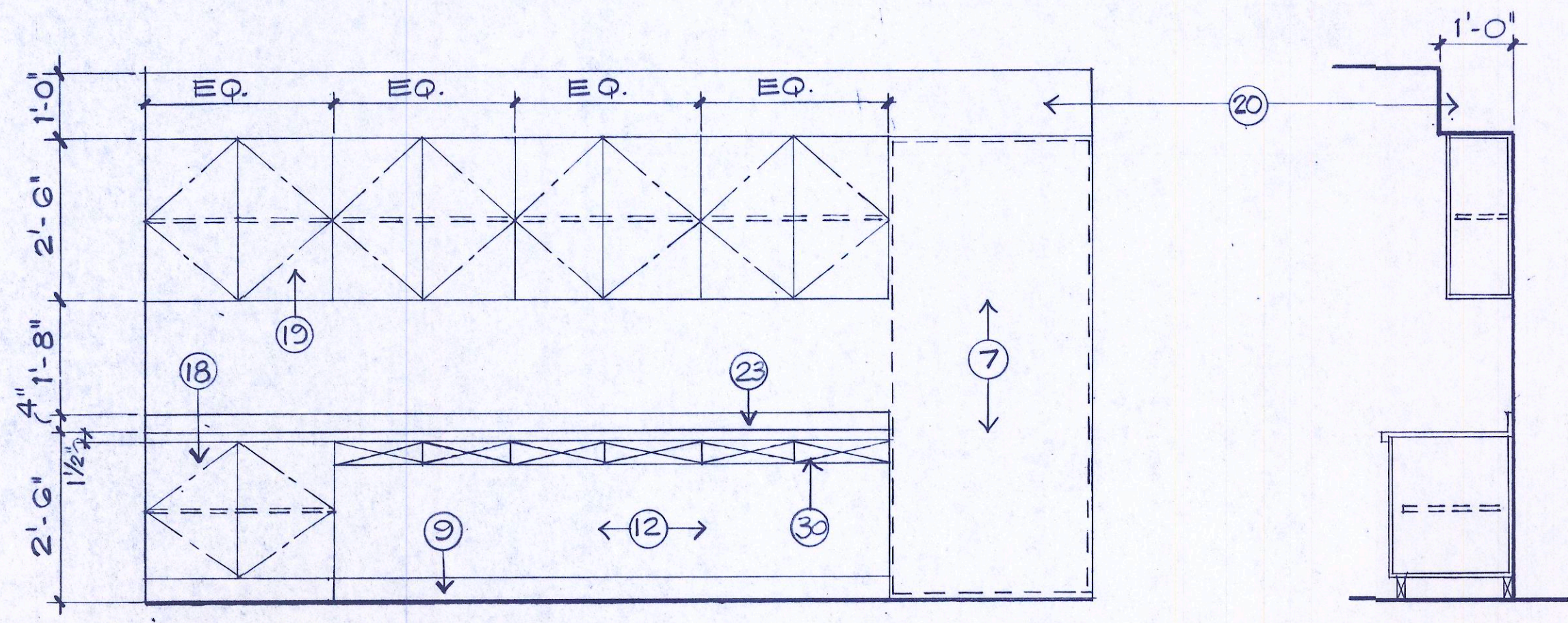
6 TELLER COUNTER SECTION



7 SECTION @ TELLER RETURN



8 CSR COUNTER SECTION



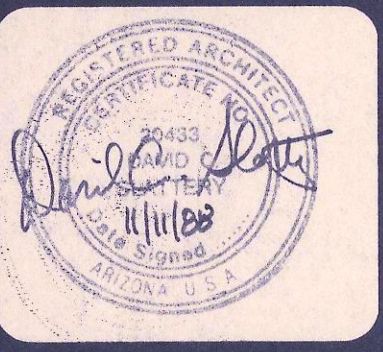
9 COUNTING ROOM

KEYNOTES

1. PLASTIC LAMINATE 1: HOMAPAL
PATTERN: #CB622 COPPER MAPLE LEAVES
LOCATION: ALL HORIZONTAL SURFACES, BACK OF TELLERLINE & BACK COUNTER.
2. PLASTIC LAMINATE 2: FORMICA
COLOR: #856 VICUNA, MATTE FINISH
LOCATION: ALL HORIZONTAL SURFACES, BACK OF TELLERLINE & BACK COUNTER.
3. TILE: LUDOWICI STONEWARE
PATTERN: TRAFFIC TILE
COLOR: PEACH
SIZE: 8" X 8" (NOMINAL)
GROUT: 1/4" JOINT, CUSTOM BUILDING PRODUCTS, DESIGNERS SERIES GROUT, COLOR #180 SANDSTONE.
4. WOOD: LIGHT OAK FINISH, VENEER.
5. REMOVABLE ACCESS PANEL.
6. APRON DRAWER.
7. BANK EQUIPMENT (PROVIDED BY EQUIPMENT CONTRACTOR).
8. 12" X 12" SQ. BRACED SHELF WITH PLASTIC LAMINATE #2.
9. 4" BASE - REFER TO FINISH SCHEDULE.
10. 2 X 3 GROMMET FOR ELECTRICAL CONDUIT TYPICAL AT EACH TELLER STATION.
11. LOUVERED DOORS WITH LOUVERS UPWARD RELATIVE TO CAB INTERIOR. PAINT TO MATCH PLASTIC LAMINATE.
12. KNEE SPACE.
13. ADJUSTABLE SHELVING.
14. KICK SPACE.
15. HALF HEIGHT PARTITION - 2 X 2 WD. STUD WITH 3/4" PLYWOOD TO EACH SIDE WITH PLASTIC LAMINATE FINISH #2.
16. PLYWOOD GATE WITH PLASTIC LAMINATE #2.
17. DATA RACEWAY.
18. BASE CABINET WITH PLASTIC LAMINATE "2", ALL SURFACES WITH ADJUSTABLE SHELF.
19. UPPER CABINET WITH PLASTIC LAMINATE "2", ALL SURFACES WITH ADJUSTABLE SHELF.
20. GYPSUM BOARD SOFFIT.
21. HINGED STORAGE DOOR, PLYWOOD WITH PLASTIC LAMINATE "2".
22. METAL CHECKSTAND CENTERPIECE - COORDINATE MODEL NO. WITH OWNER.
23. PLASTIC LAMINATE "2" COUNTER WITH 4" BACKSPASH.
24. 3 X 4 MIRROR.
25. CLEAR PLEXI-GLASS DIVIDERS.
26. PLYWOOD BACK.
27. PLASTIC LAMINATE #2 ON ALL EXPOSED SURFACES.
28. RECESSED UNIT. ATTACH WITH SCREWS TO STUDS.
29. 2 X FRAMING AROUND PERIMETER.
30. 4" PULL DRAWER WITH PLASTIC LAMINATE #2.
31. 12" DEEP FIXED SHELVES.
32. HANDICAP GRAB BAR - EXTEND 3'-0" ALONG SIDE WALL.
33. PAPER TOWEL DISPENSER/WASTE RECEPTACLE - MOUNT 36" A.F.F. TO PAPER TOWELS.
34. TOILET PAPER HOLDER.
35. SOAP DISPENSER - COUNTER MOUNTED.

GENERAL NOTES

1. MILLWORK TO BE FIELD MEASURED PRIOR TO MANUFACTURING.



JOB NUMBER	10434.01
DATE	11-11-88
DRAWN	M.S.
CHECKED	D.G.
SHEET TITLE	

MILLWORK DETAILS

1/2" = 1'-0"
SCALE

REVISIONS

DRAWING NUMBER

A5.1