

SITE NUMBER:	01325
BUILDING TYPE:	3076
ASSET TYPE:	FREE STANDING
CLASSIFICATION:	REFRESH
OWNER:	STARBOARD
BASE VERSION:	2021 SUMMER
UPGRADE CLASSIFICATION:	N/A
PROJECT YEAR:	2021
DESIGN TYPE:	(2.0) UM BRIGHT
DRAWING RELEASE:	SUMMER 2021

Linear Architecture LLC
Philip Kemery,
Architect
4436 Harvest Hill Rd.
Dallas, TX 75244
PHONE: 972.929.9226



STARBOARD GROUP
12540 W. ATLANTIC BLVD.
CORAL SPRINGS, FL 33071
OFFICE: (954)255-2266

PROJECT TYPE: 3076
REFRESH

Wendy's
#01741 (STARBOARD #463)
2650 W. NEW HAVEN AVE.
MELBOURNE, FL 32904

REV.	DATE	DESCRIPTION

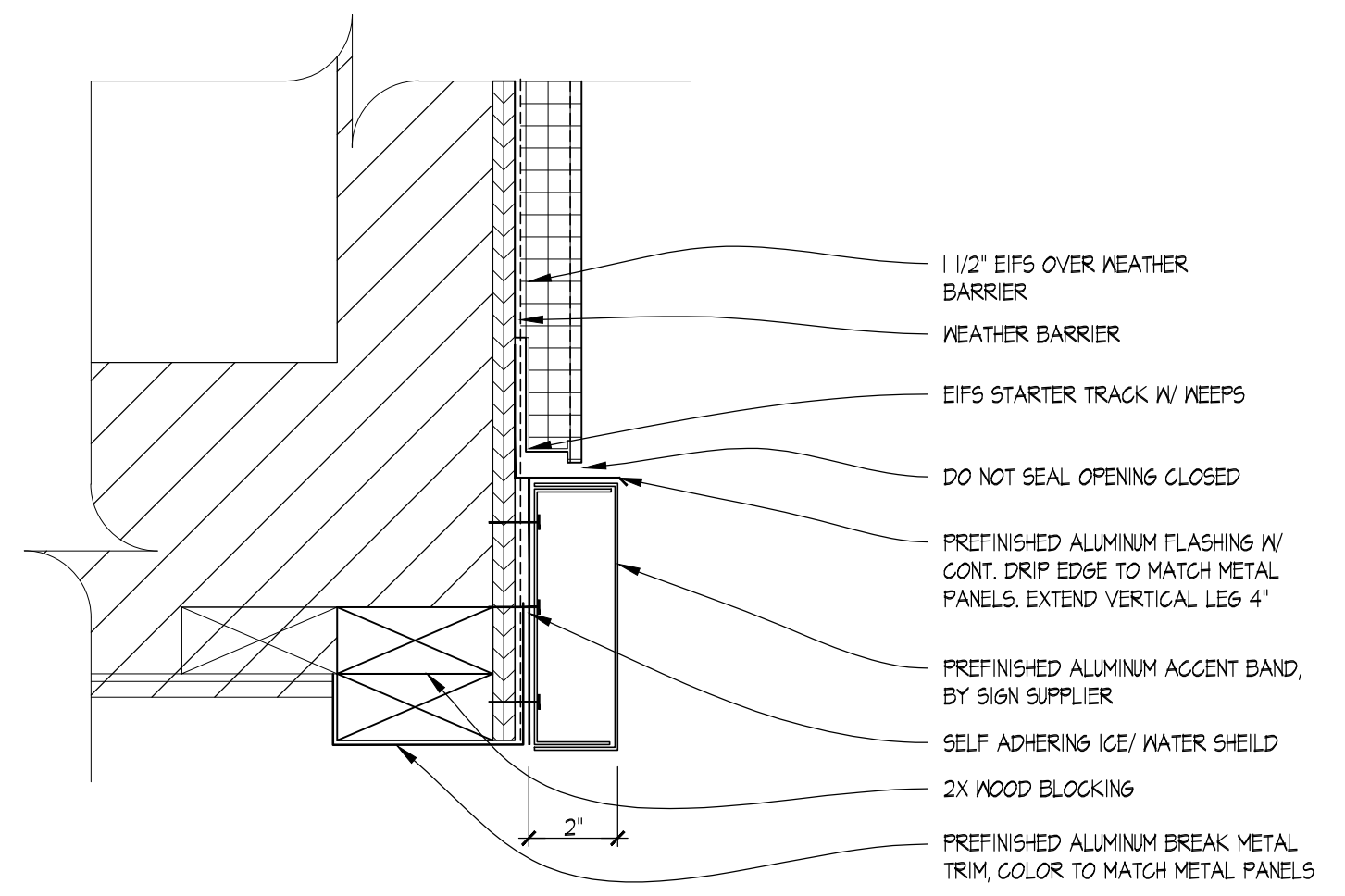
ISSUE DATE: 01/14/2021
PROJECT NUMBER: 21-124
DRAWN BY: XXX
CHECKED BY: XXX



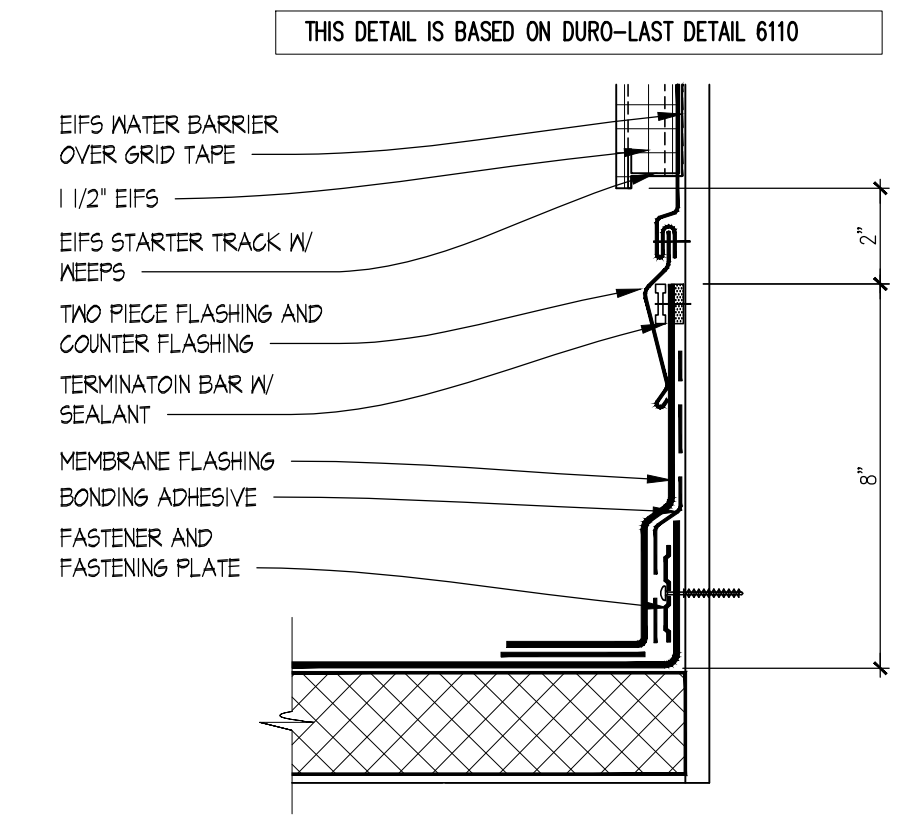
SHEET NAME
SECTION DETAILS

SHEET NUMBER

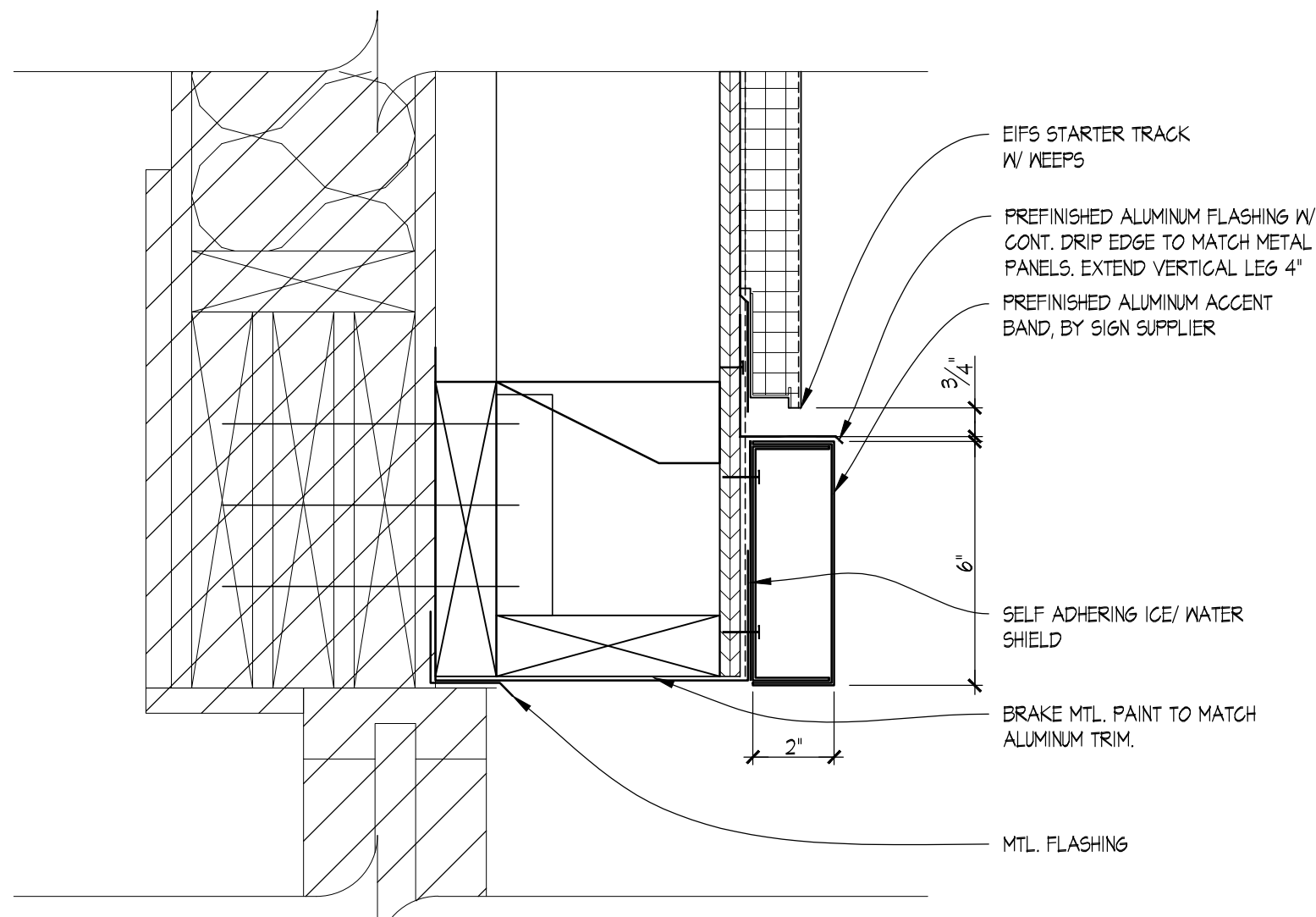
A4.1
EIFS



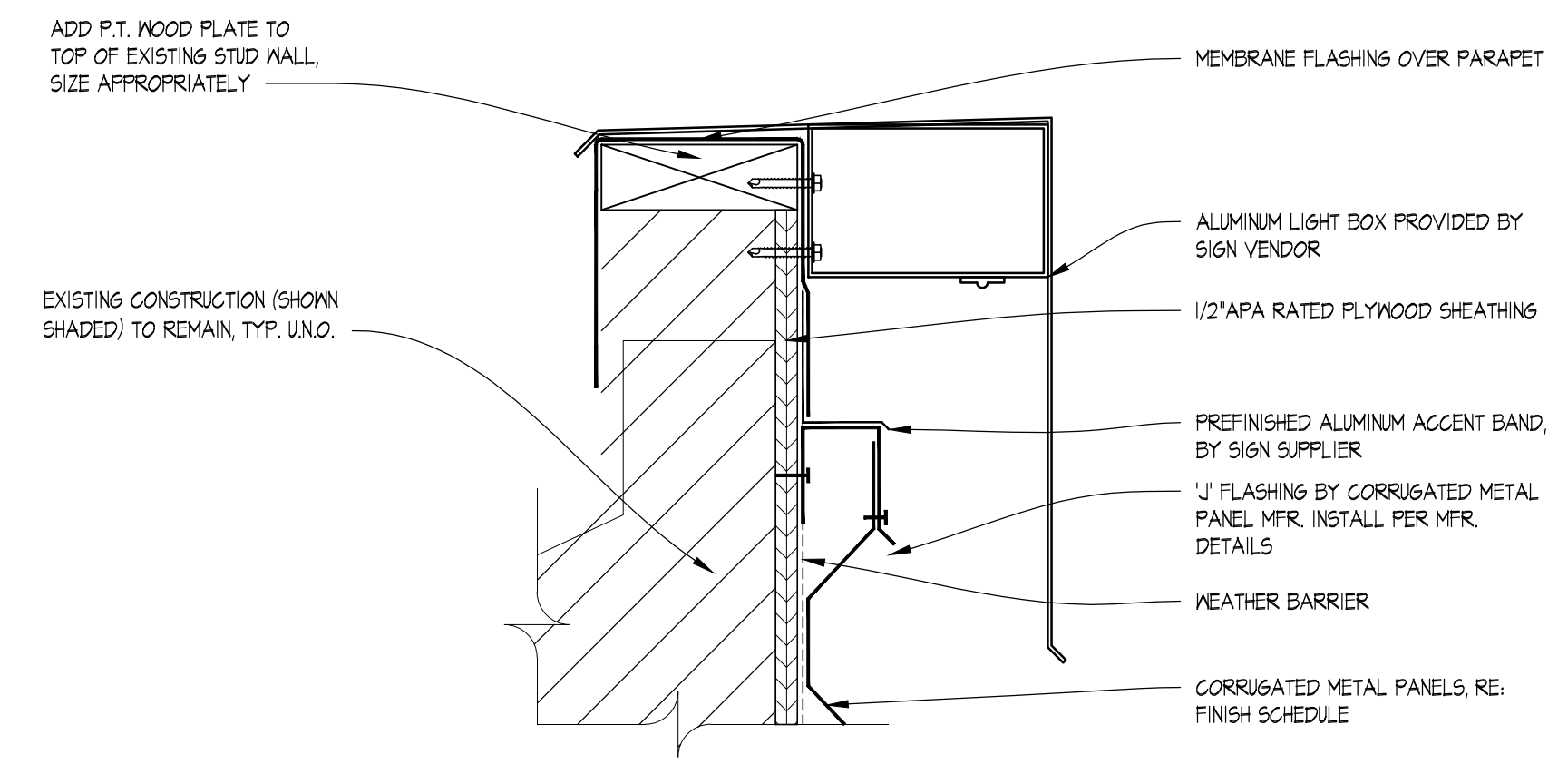
06 ALUMINUM TRIM DETAIL
SCALE: 3" = 1'-0"



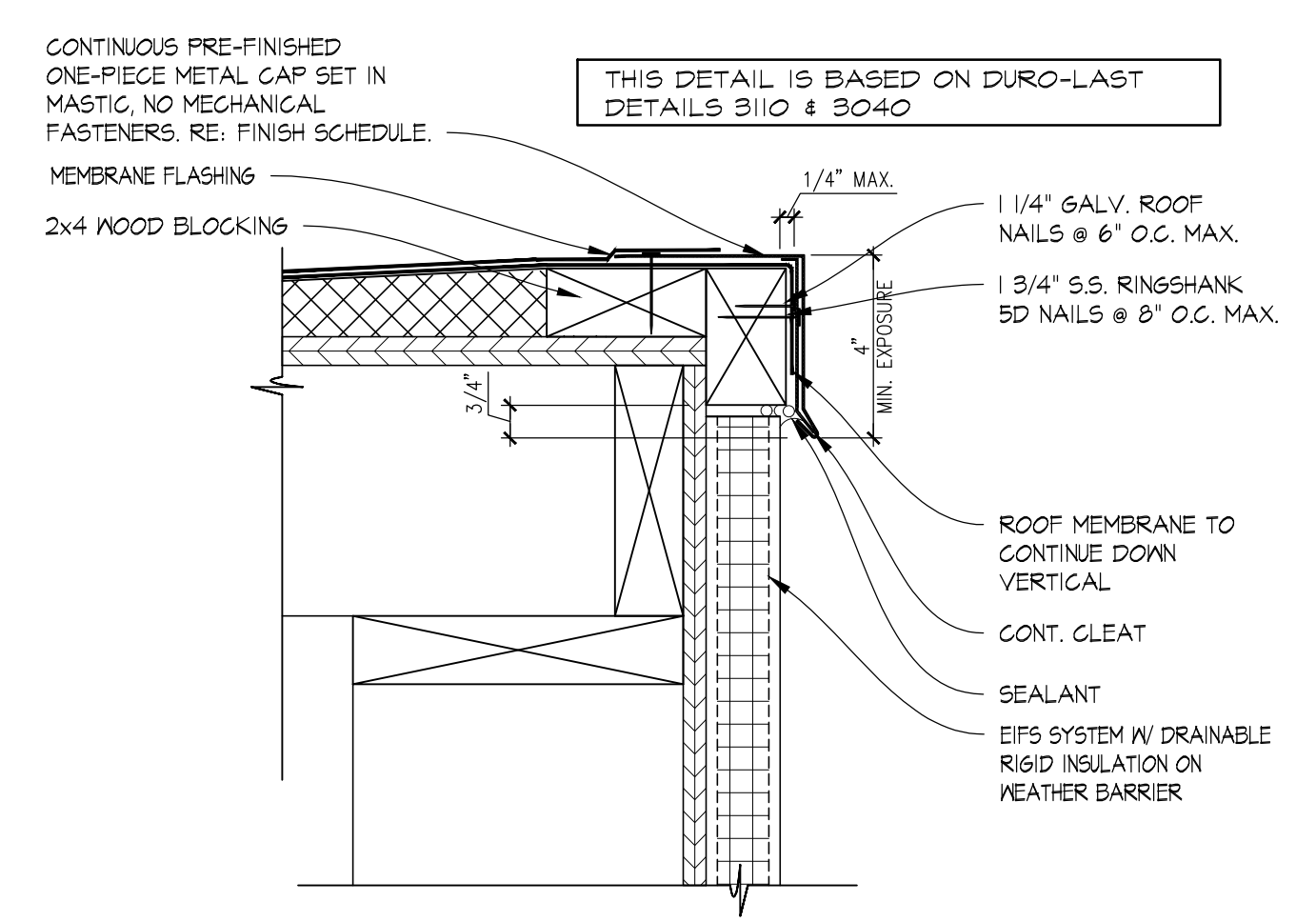
03 SECTION DETAIL
SCALE: 3" = 1'-0"



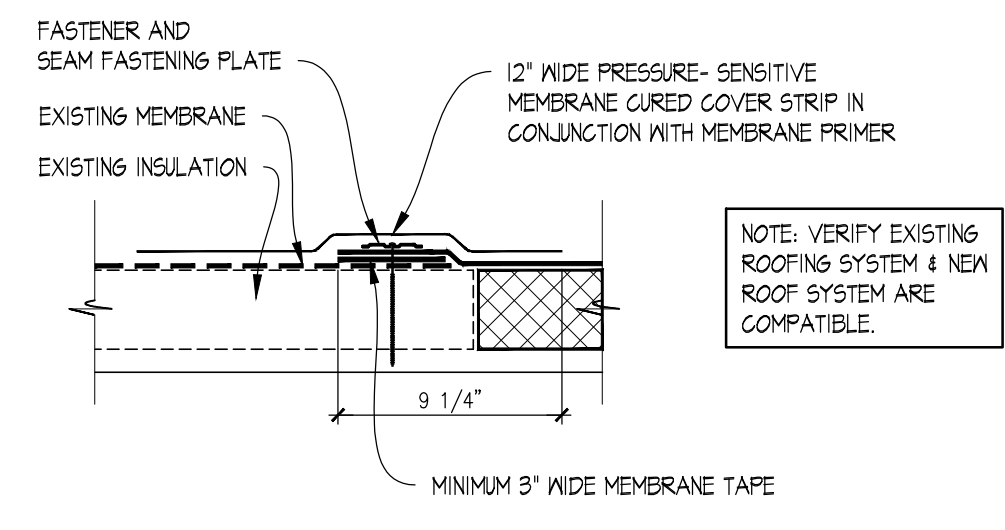
05 ALUMINUM TRIM DETAIL
SCALE: 3" = 1'-0"



02 SECTION DETAIL
SCALE: 3" = 1'-0"



01 SECTION DETAIL
SCALE: 3" = 1'-0"



04 ROOF SEAM DETAIL
SCALE: 1 1/2" = 1'-0"

09 NOT USED
SCALE: 1 1/2" = 1'-0"

08 NOT USED
SCALE: 1 1/2" = 1'-0"

07 NOT USED
SCALE: 6" = 1'-0"

1/14/2021 1:03 AM C:\Users\slipg\OneDrive - Linear Architecture - inc\Public\REV\01\2021-124 Starboard 463\A4.1 Details\EIFS.dwg - 1 - DETAILS\EIFS.dwg - 1 - DETAILS\EIFS.dwg - 1 - DETAILS\EIFS.dwg - 1 - DETAILS\EIFS.dwg