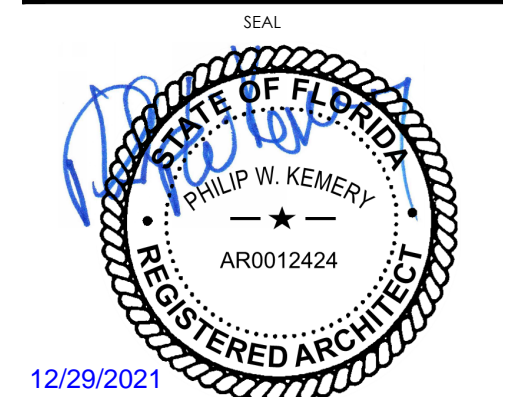




REV.	DATE	DESCRIPTION

ISSUE DATE: 12/29/2021
 PROJECT NUMBER: 21-122
 DRAWN BY: XXX
 CHECKED BY: XXX

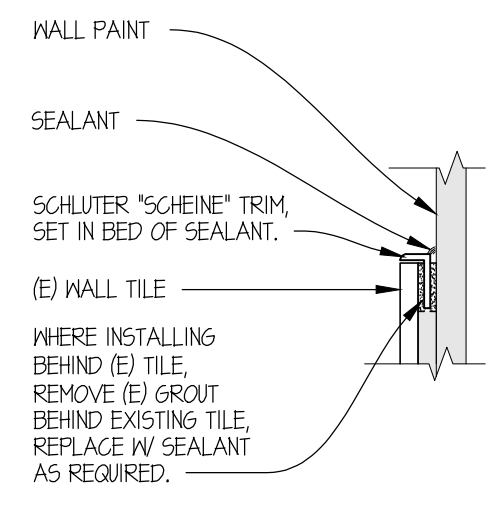


SHEET NAME
 INTERIOR ELEVATIONS
 DINING ROOM

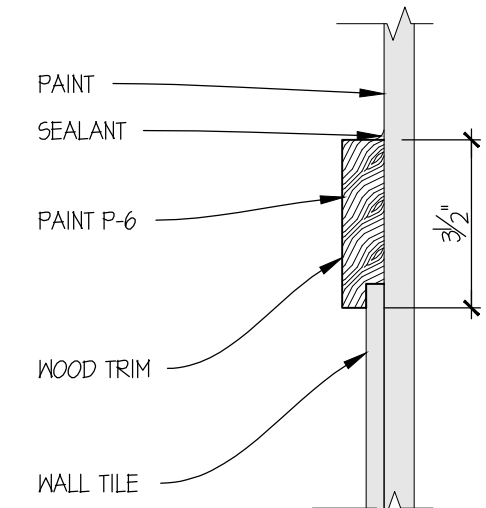
SHEET NUMBER

A7.1

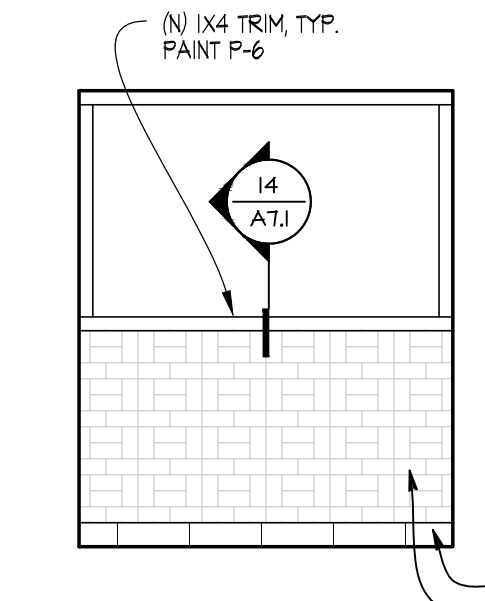
NOTE: SEE SHEET A11 FOR ARTPACK SCHEDULE



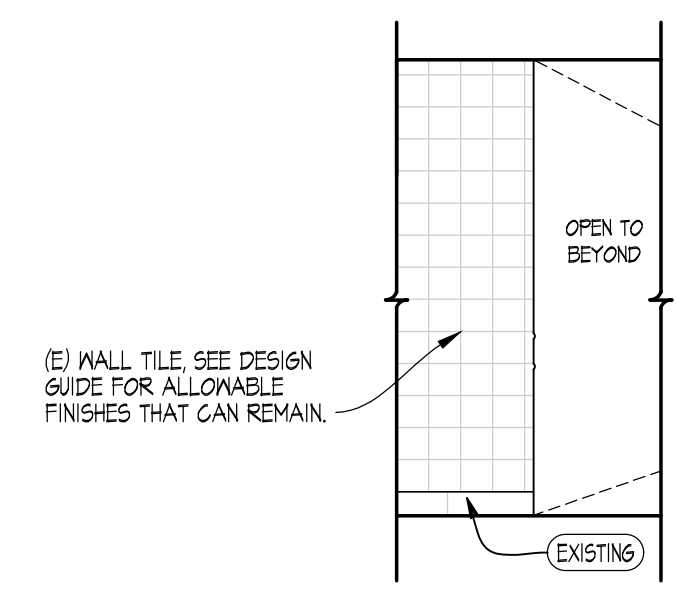
15 BATHROOM TRIM DETAIL
 SCALE: 3" = 1'-0"



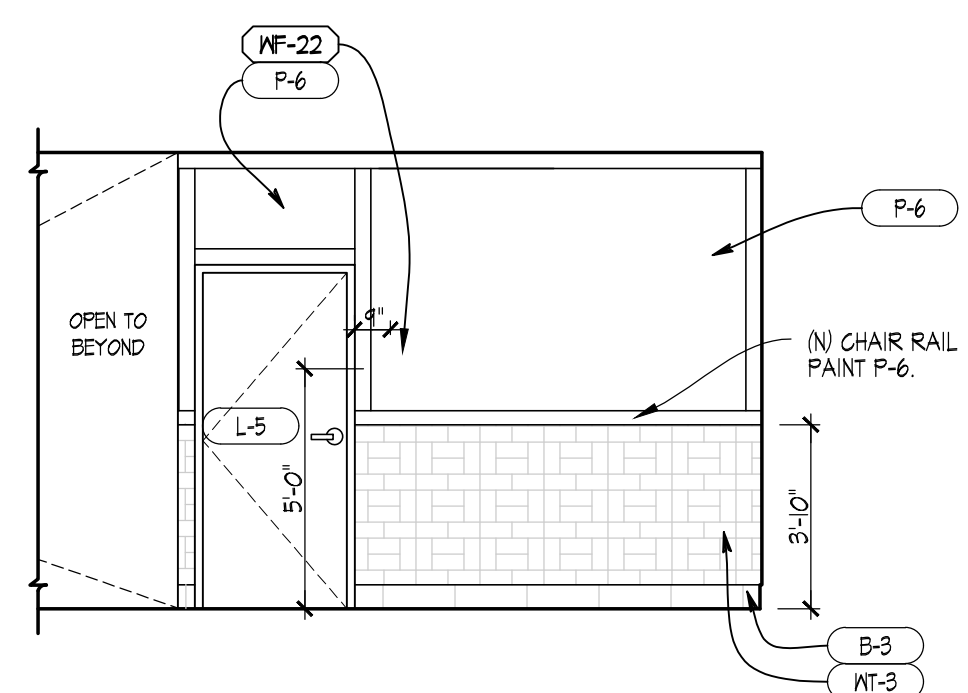
14 NEW TRIM DETAIL
 SCALE: 3" = 1'-0"



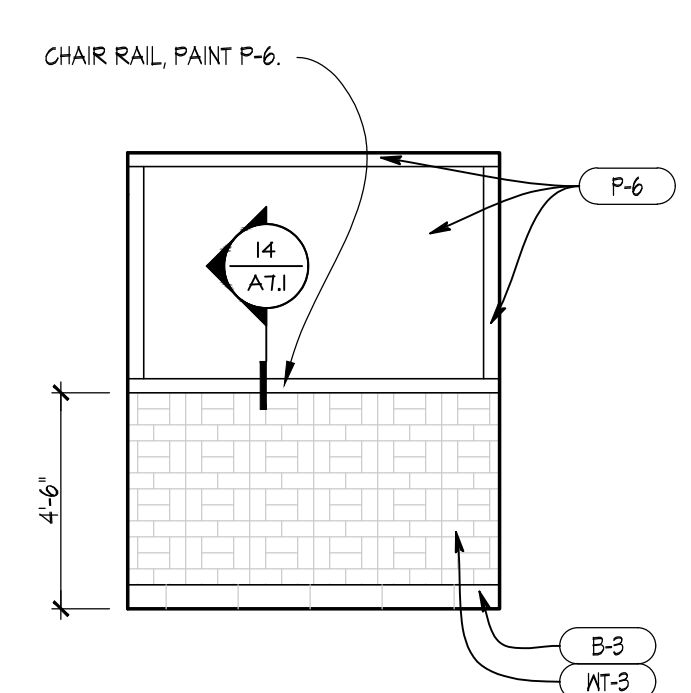
11 TYPICAL ELEVATIONS
 SCALE: 1/4" = 1'-0"



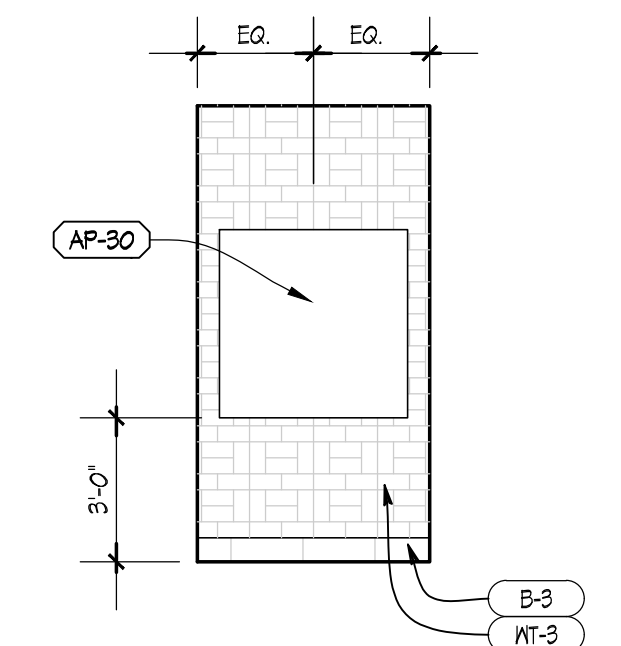
10 SERVING AREA
 SCALE: 1/4" = 1'-0"



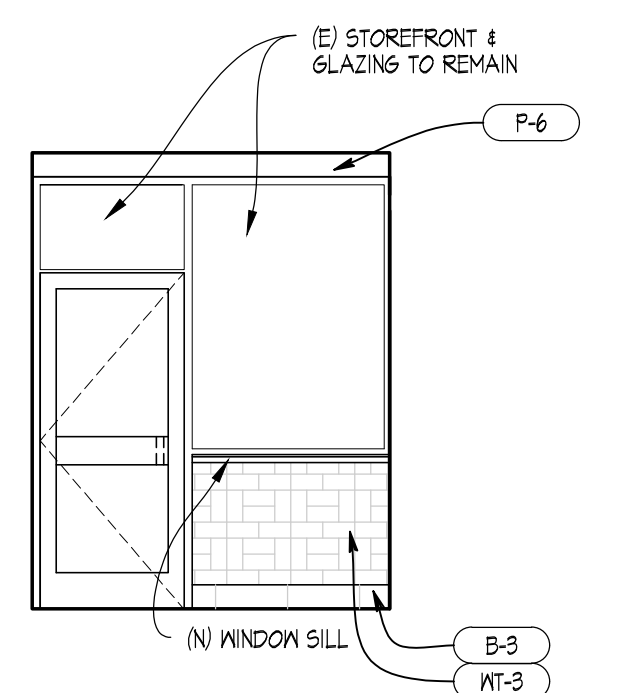
09 HALLWAY
 SCALE: 1/4" = 1'-0"



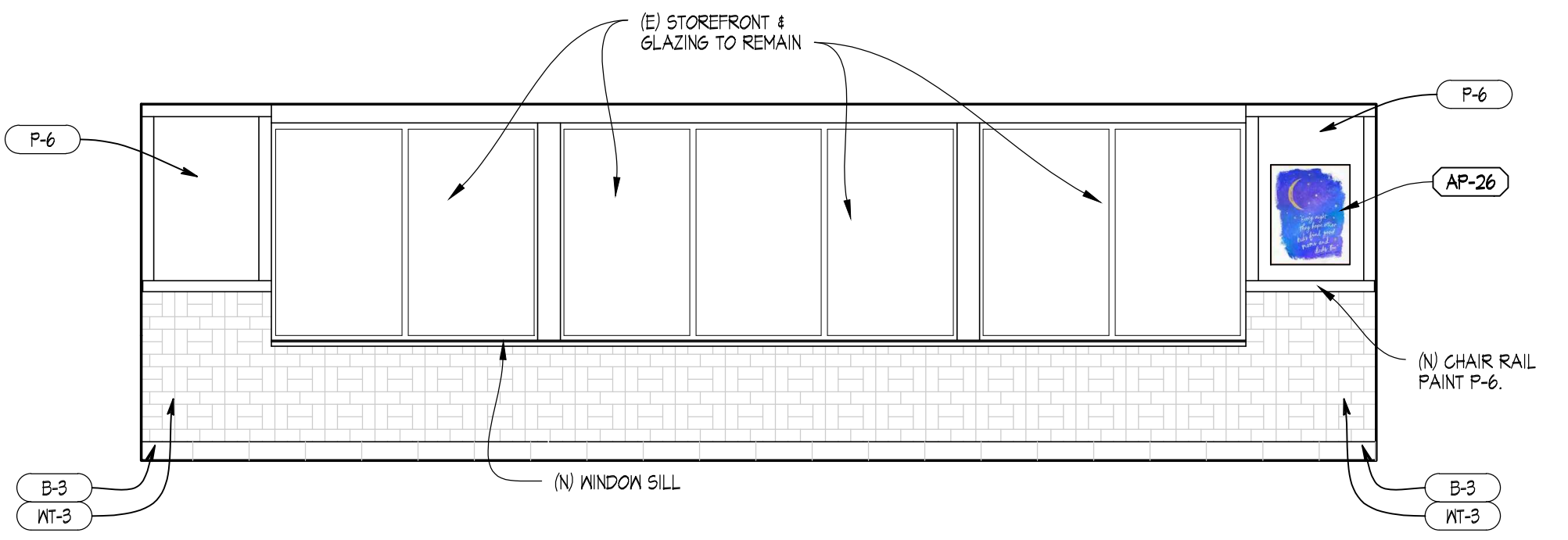
08 VESTIBULE
 SCALE: 1/4" = 1'-0"



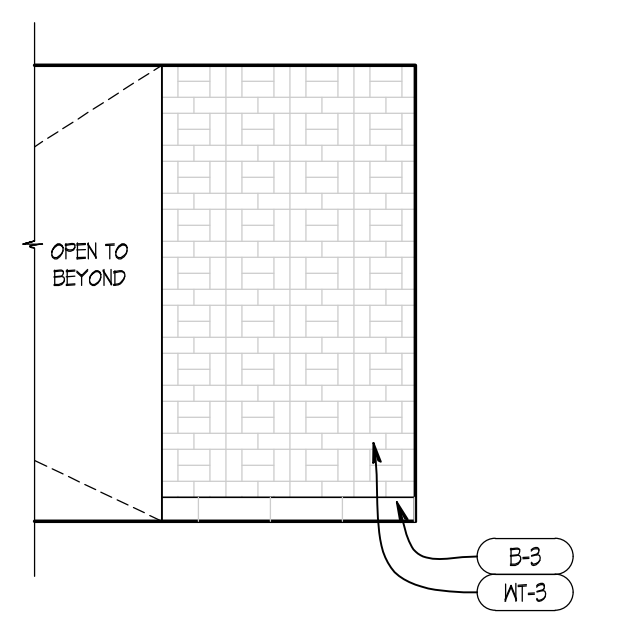
07 VESTIBULE
 SCALE: 1/4" = 1'-0"



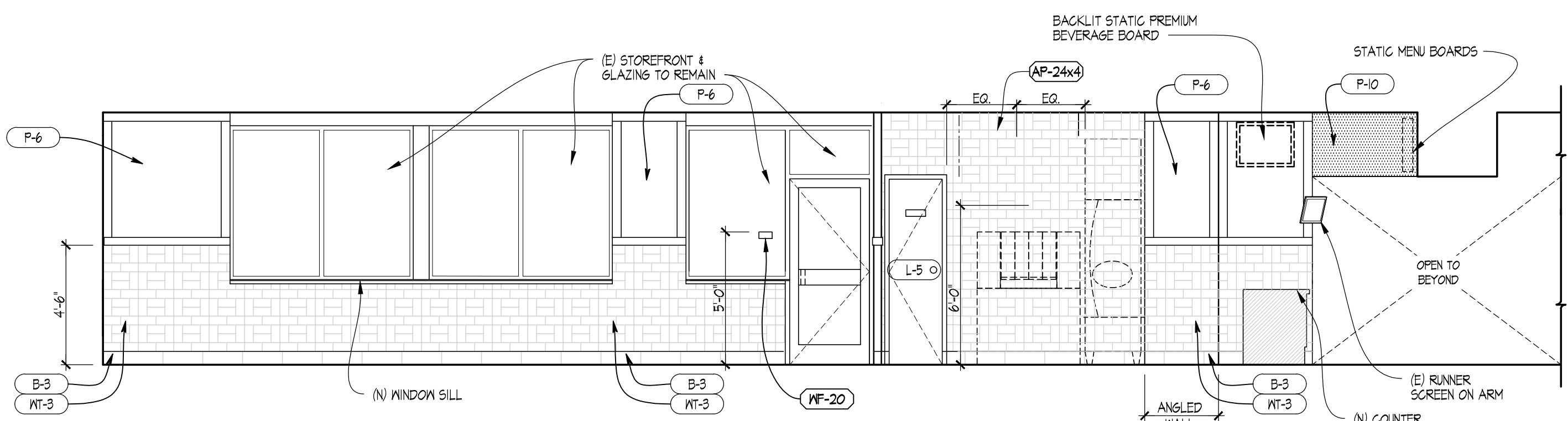
06 VESTIBULE
 SCALE: 1/4" = 1'-0"



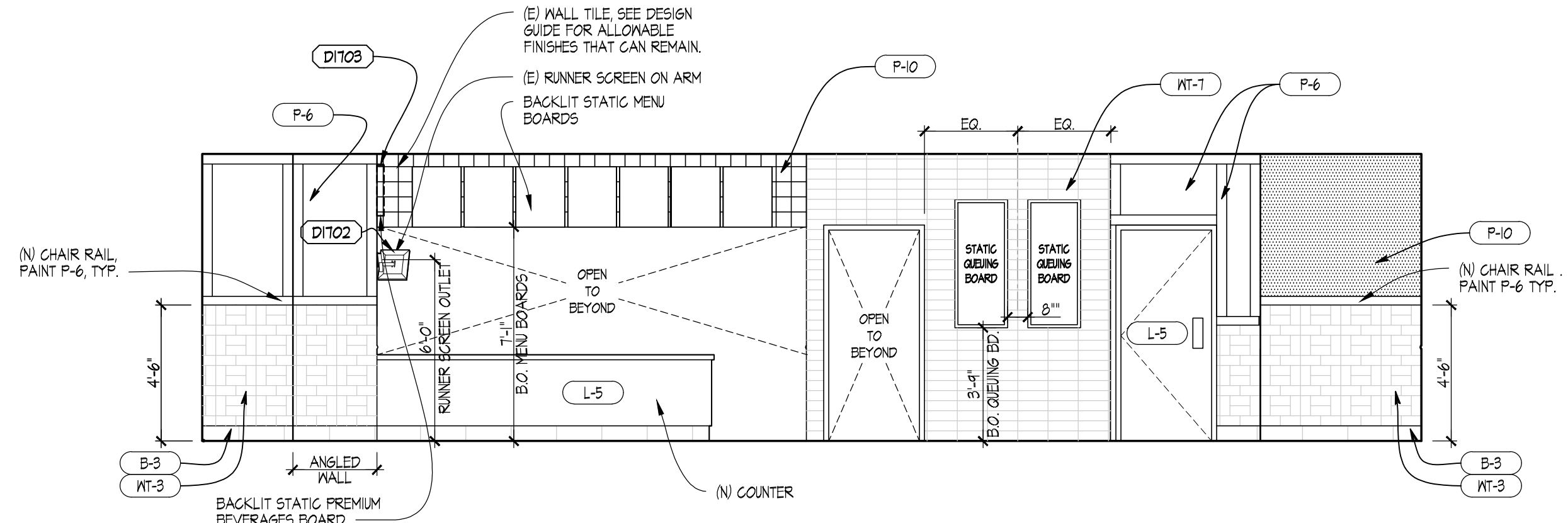
05 DINING ROOM
 SCALE: 1/4" = 1'-0"



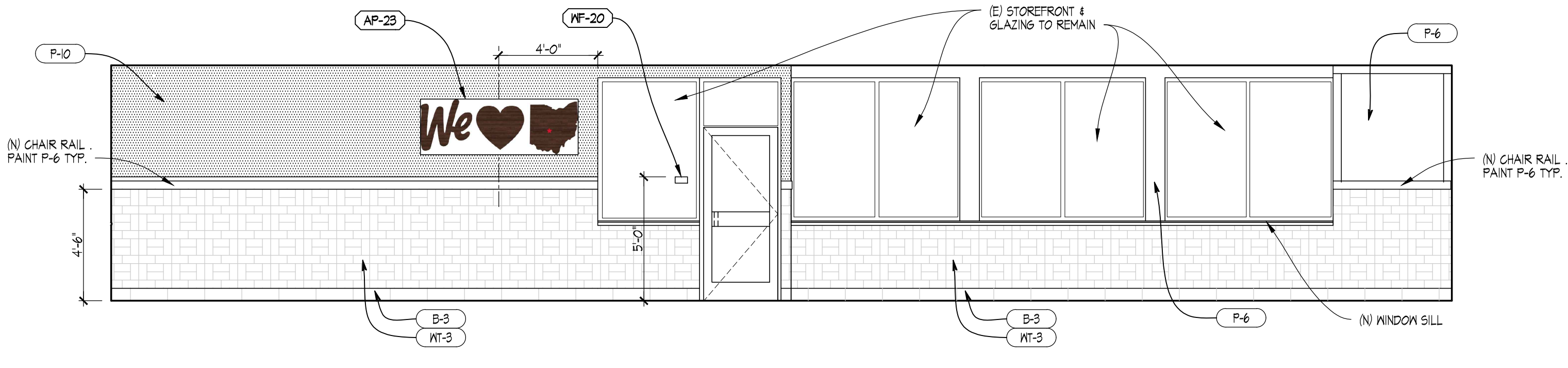
04 DINING ROOM
 SCALE: 1/4" = 1'-0"



03 DINING ROOM
 SCALE: 1/4" = 1'-0"



02 SERVING AREA
 SCALE: 1/4" = 1'-0"



01 DINING ROOM
 SCALE: 1/4" = 1'-0"

12/29/2021 1:37 PM C:\Users\moffitt\OneDrive - Linear Architecture, Inc\My Computer\Brendan - Pub\Wendys\21-122 Starboard - Pub\Wendys\21-122 Interiors - ELEVATIONS.dwg moffitt