

SITE NUMBER:	07705
BUILDING TYPE:	CG3480
ASSET TYPE:	FREESTANDING
CLASSIFICATION:	REFRESH
OWNER:	STARBOARD
BASE VERSION:	2021 SPRING
UPGRADE CLASSIFICATION:	N/A
PROJECT YEAR:	2022
DESIGN TYPE:	(2.0) UM BRIGHT
DRAWING RELEASE:	2021 SPRING

Linear Architecture LLC
Philip Kemery,
Architect
4436 Harvest Hill Rd.
Dallas, TX 75244
PHONE: 972.929.9226



STARBOARD GROUP
12540 W. ATLANTIC BLVD.
CORAL SPRINGS, FL 33071
OFFICE: (954)255-2266

Wendy's
#07705 (STARBOARD #511)
1615 WEST KENNEDY BLVD.
TAMPA, FL 33606

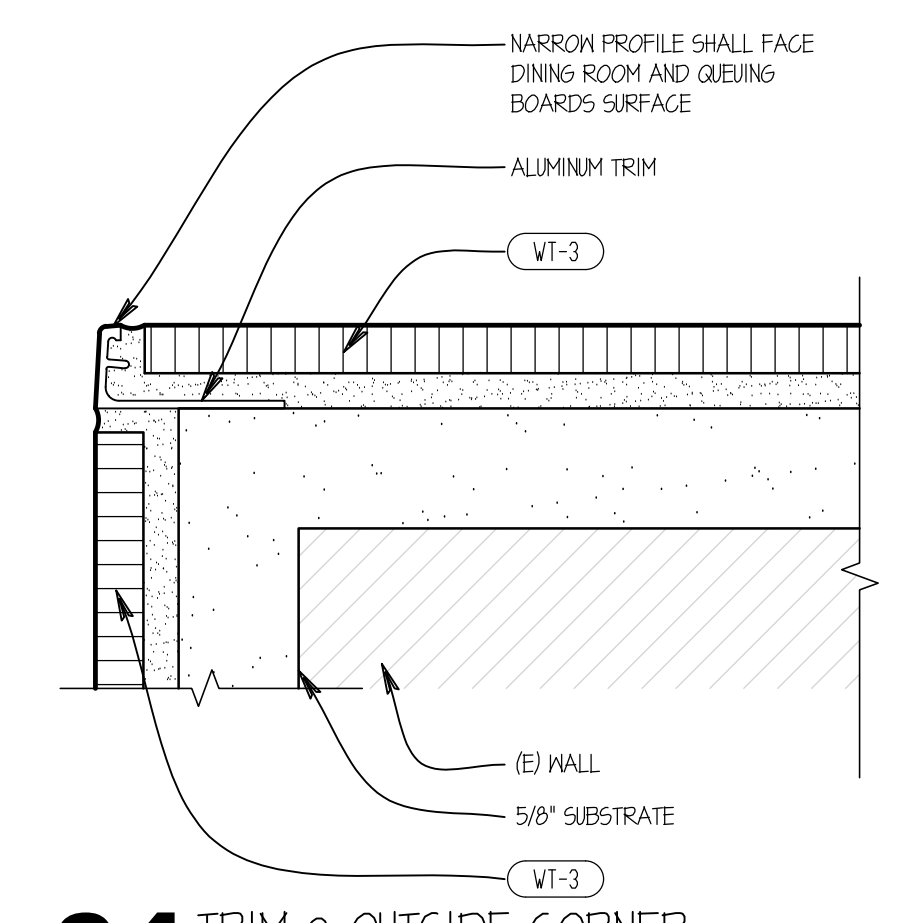
REV.	DATE	DESCRIPTION

ISSUE DATE: 12/29/2021
PROJECT NUMBER: 21-122
DRAWN BY:
CHECKED BY:

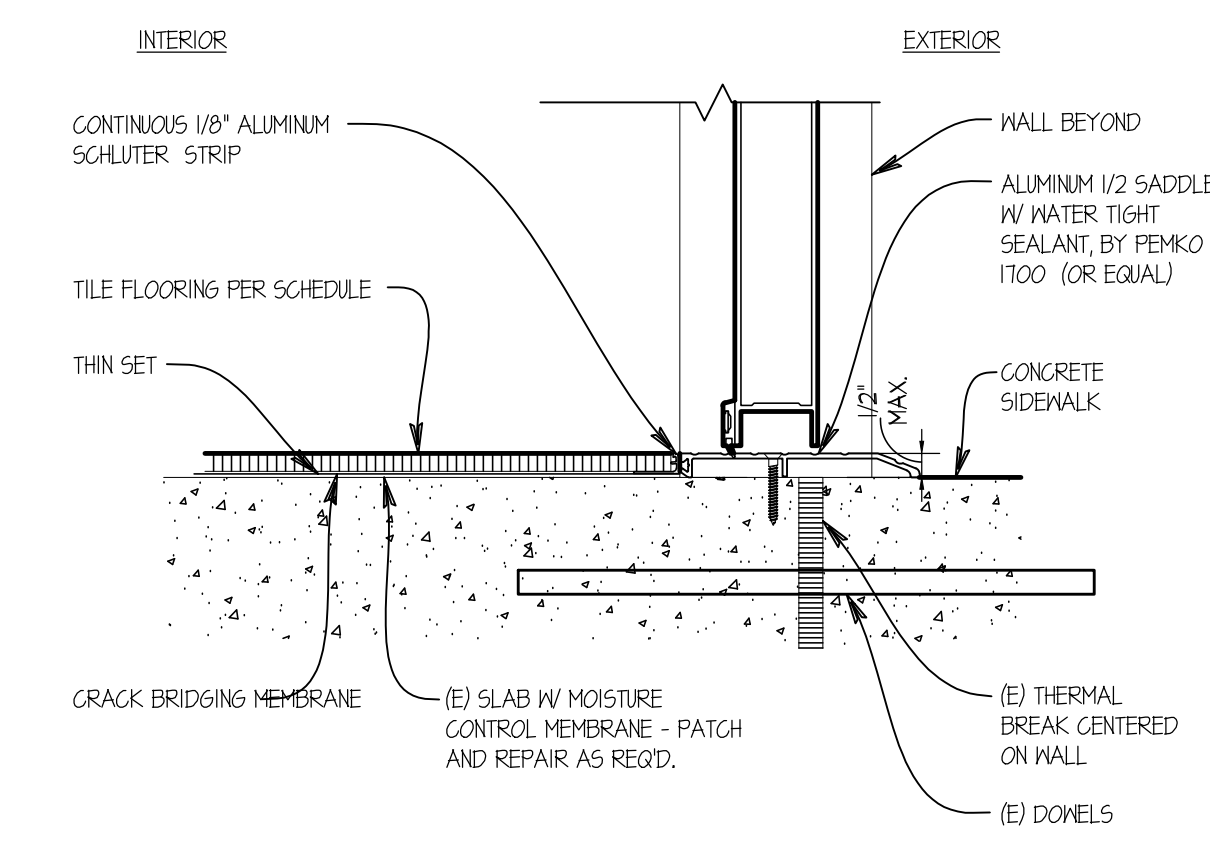


SHEET NAME
INTERIOR FINISH DETAILS

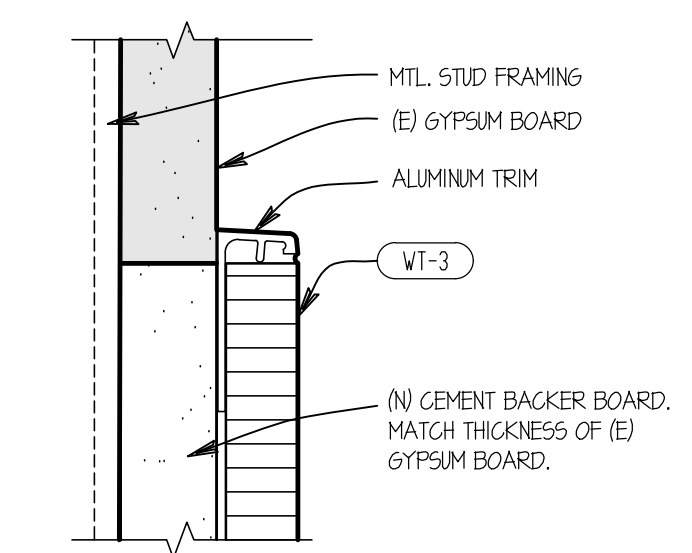
SHEET NUMBER
A5.2



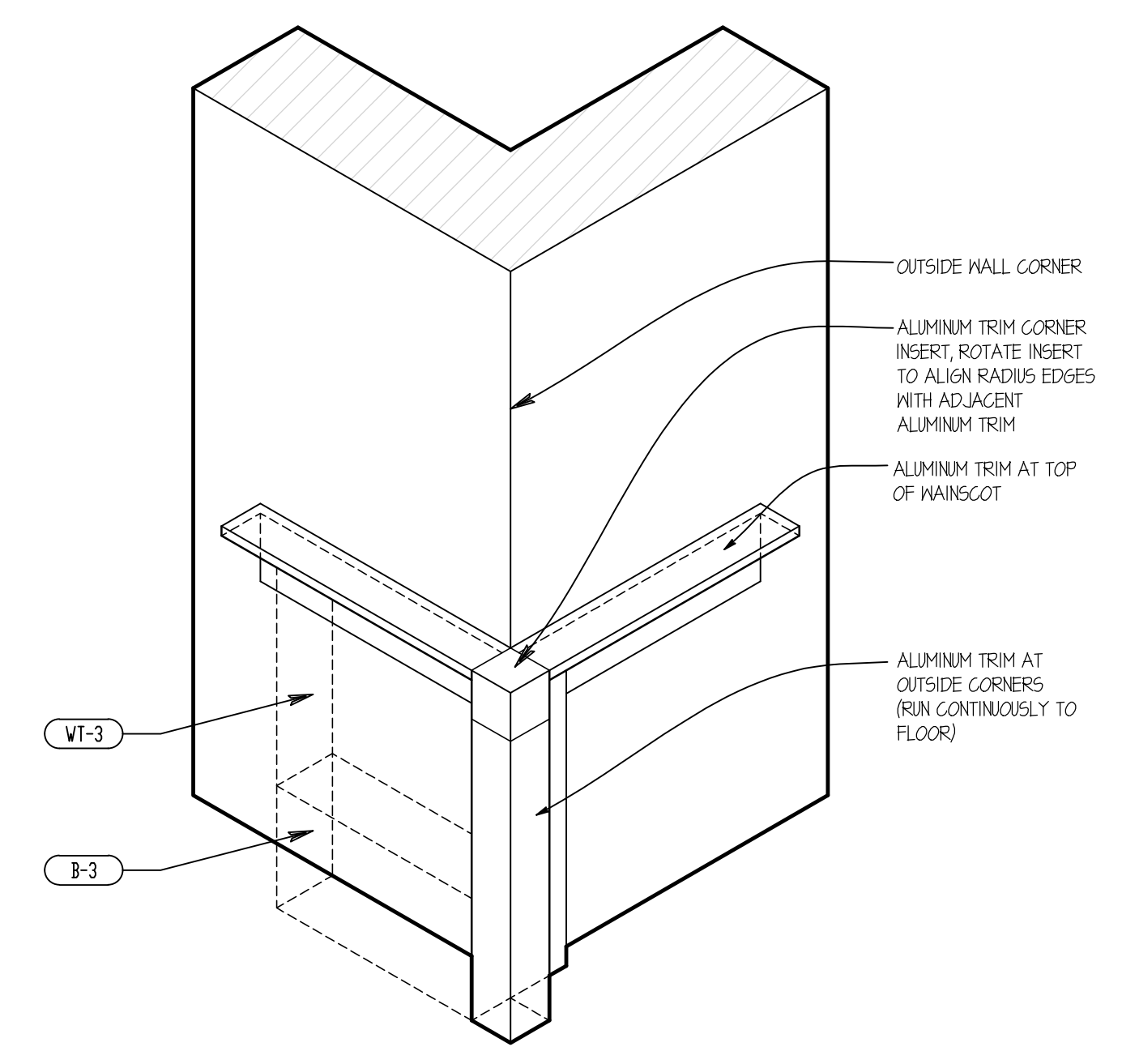
04 TRIM @ OUTSIDE CORNER
SCALE: 1" = 1'-0"



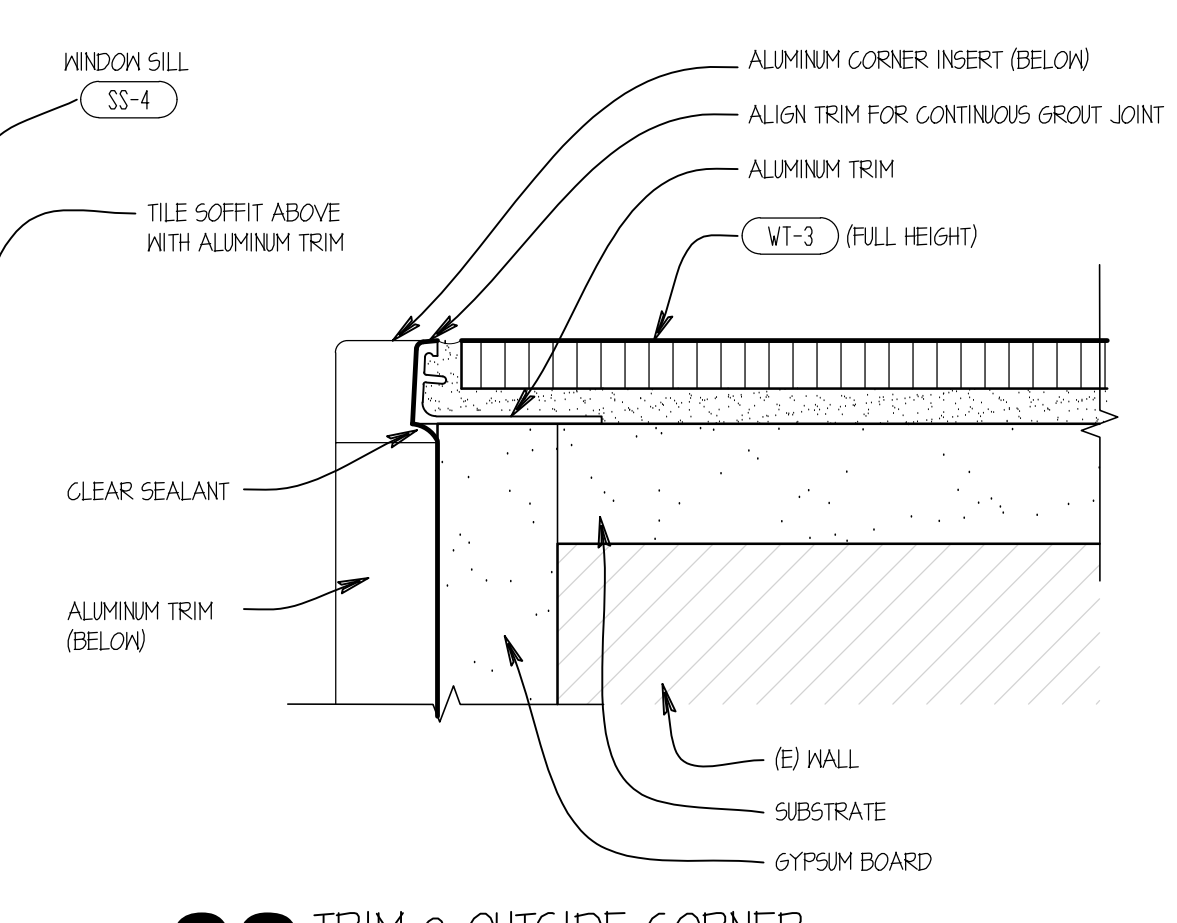
03 TILE AT EXTERIOR THRESHOLD
SCALE: 3" = 1'-0"



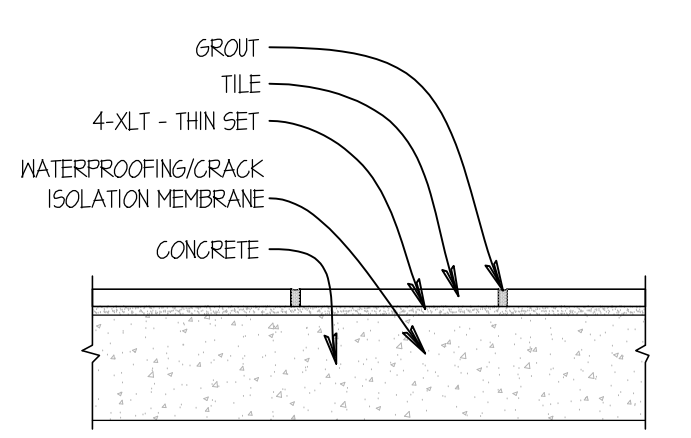
02 TILE TRANSITION
SCALE: 1" = 1'-0"



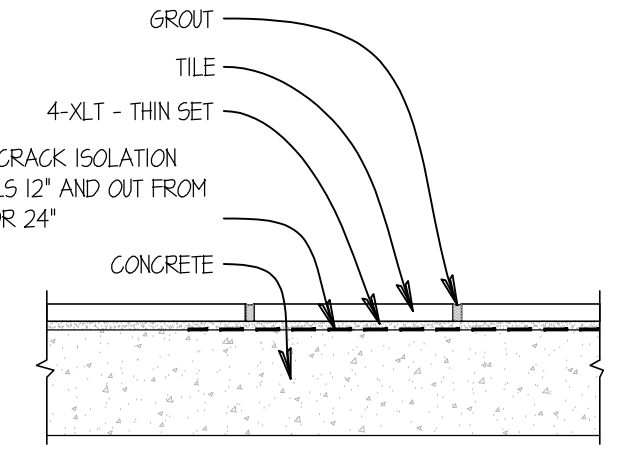
01 OUTSIDE CORNER AXON
NTS



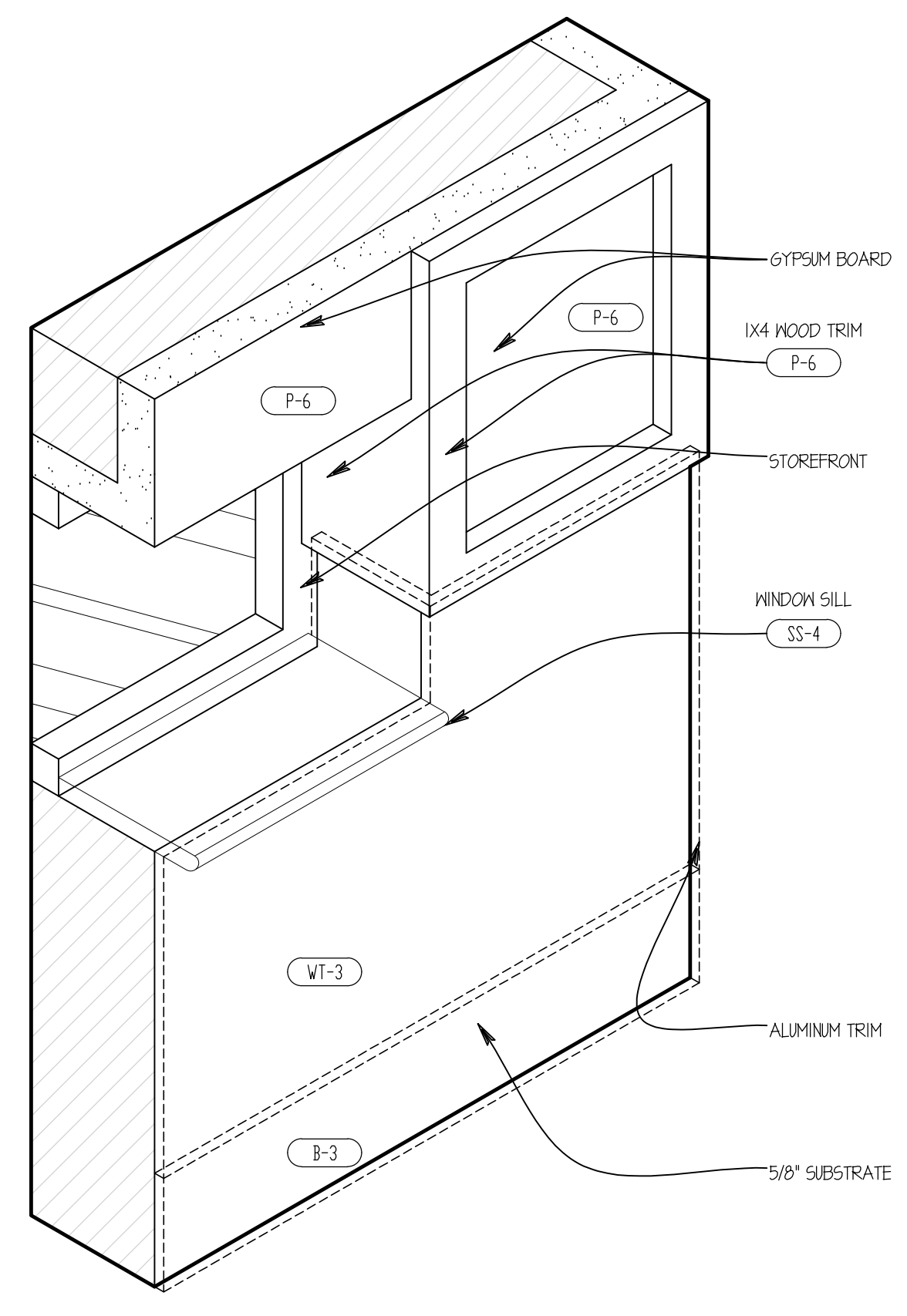
08 TRIM @ OUTSIDE CORNER
SCALE: 1" = 1'-0"



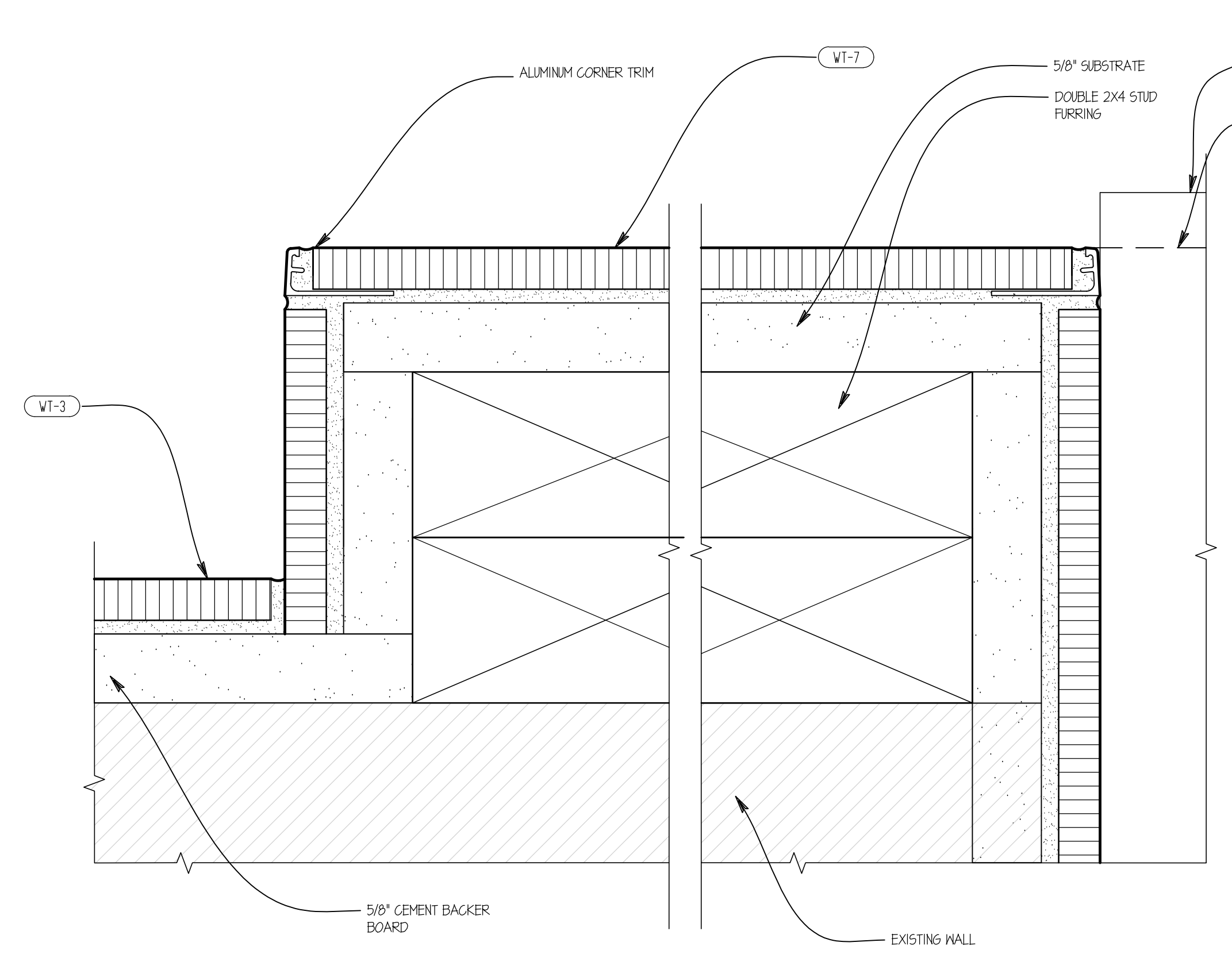
07 DINING AREA FLOOR GROUT
SCALE: 6" = 1'-0"



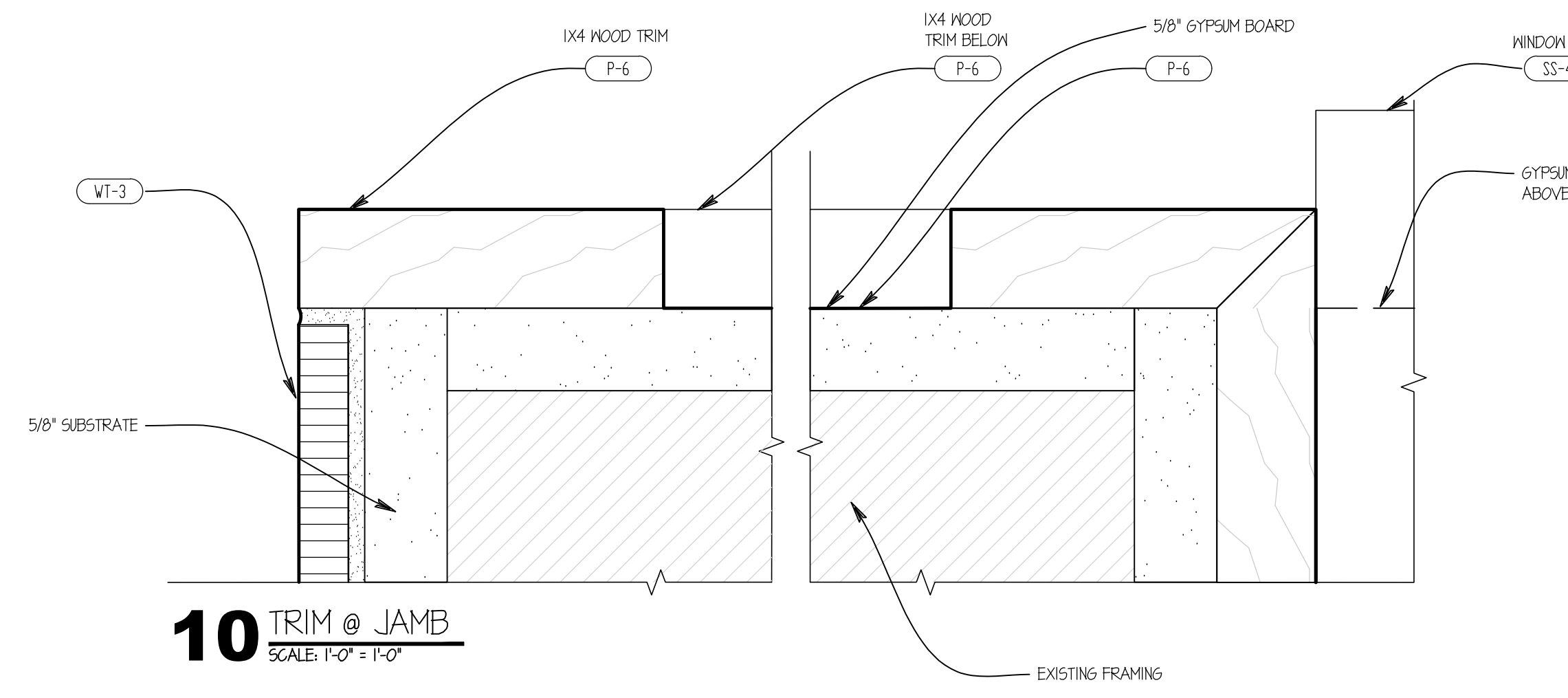
06 RESTROOMS FLOOR GROUT
SCALE: 6" = 1'-0"



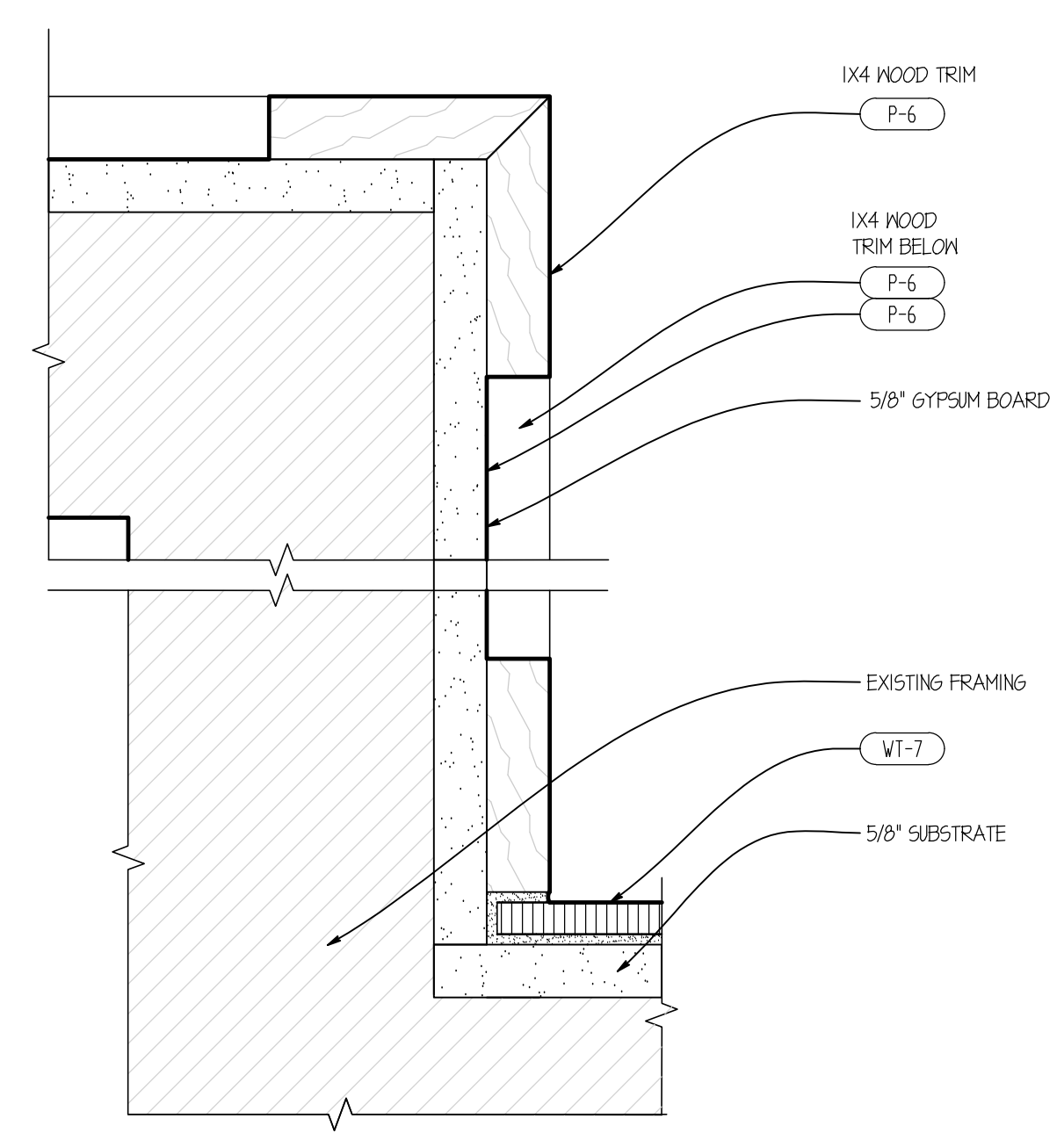
05 JAMB AXON
NTS



11 TRIM @ JAMB
SCALE: 1" = 1'-0"

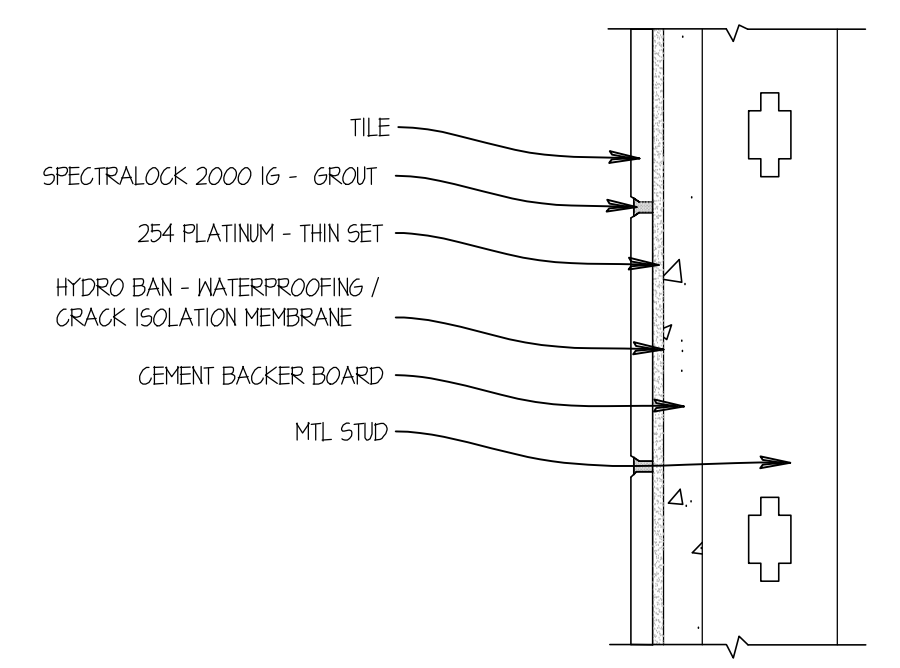


10 TRIM @ JAMB
SCALE: 1" = 1'-0"



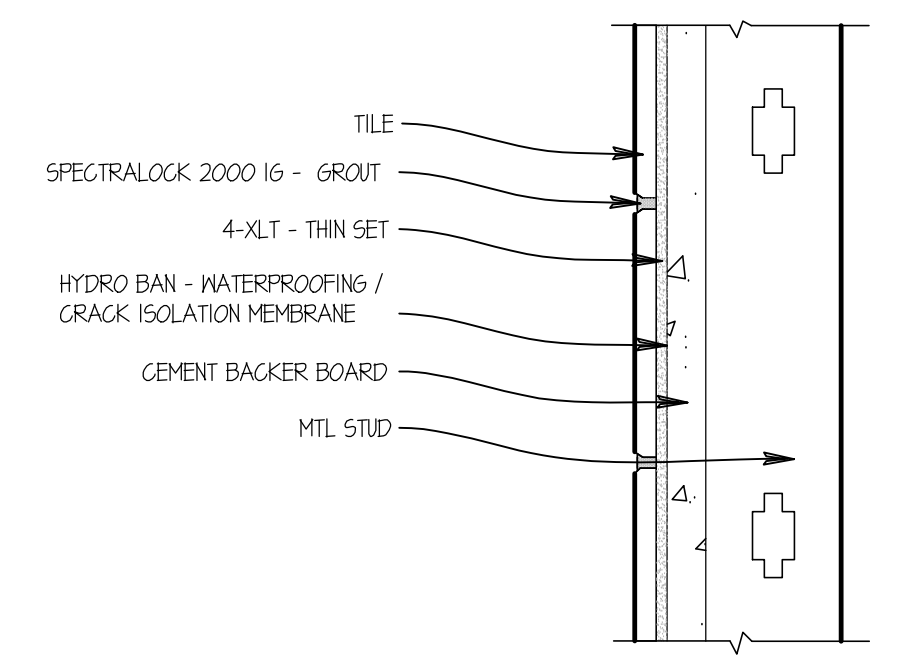
09 TRIM DETAIL
SCALE: 1/2" = 1'-0"

THIS DETAIL IS BASED ON LATICRETE DETAIL W244C-12 MR-2 / GR-2 / NM-1



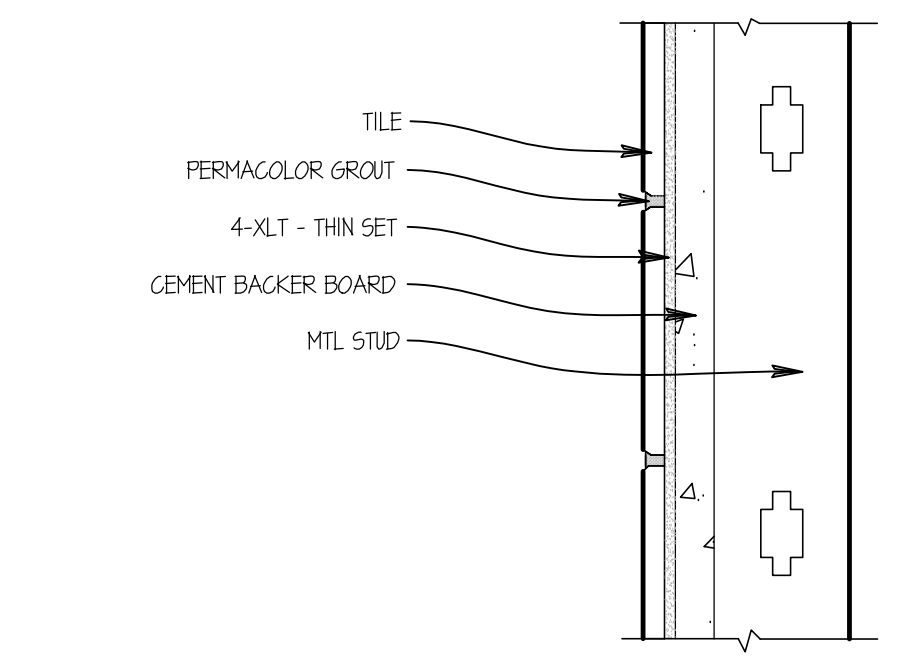
14 KITCHEN AREA WALL GROUT
SCALE: 6" = 1'-0"

THIS DETAIL IS BASED ON LATICRETE DETAIL W244C-12 MR-1 / GR-2 / NM-1



13 RESTROOMS WALL GROUT
SCALE: 6" = 1'-0"

THIS DETAIL IS BASED ON LATICRETE DETAIL W244C-12 MR-1 / GR-1



12 DINING AREA WALL GROUT
SCALE: 6" = 1'-0"

1/23/2023 12:58 PM C:\Users\pgriffin\OneDrive - PhilipWendys\Public\Wendys\122 Starboard\511-2705 Tampa, FL - W.Kemery - Refresh\Construction Documents\05_A5.2 Interior Finish Details.dwg m.griffin