



Wendy's
 #05341 (STARBOARD #702)
 2 CIETEN PLAZA
 BARRY, IL 62312

| REV. | DATE | DESCRIPTION |
|------|------|-------------|
| | | |
| | | |
| | | |

ISSUE DATE: 01/07/2022
 PROJECT NUMBER: 21-128
 DRAWN BY: XXX
 CHECKED BY: XXX

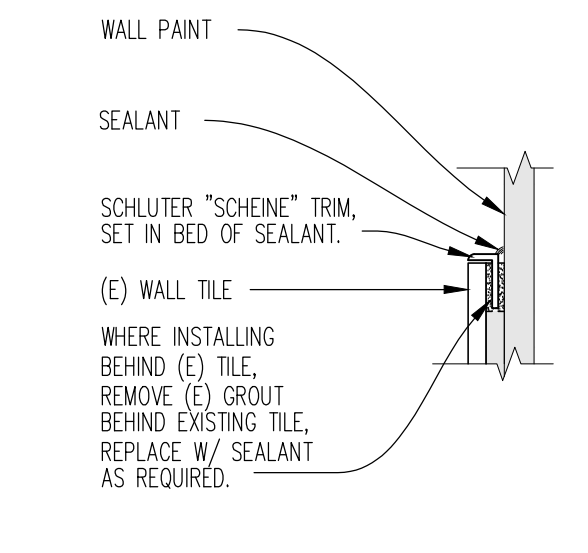
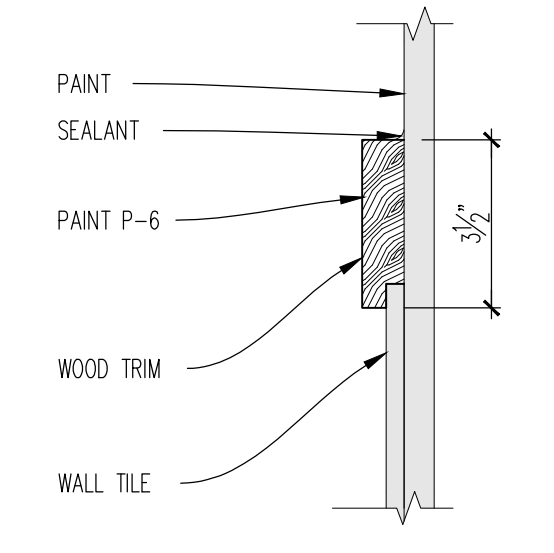
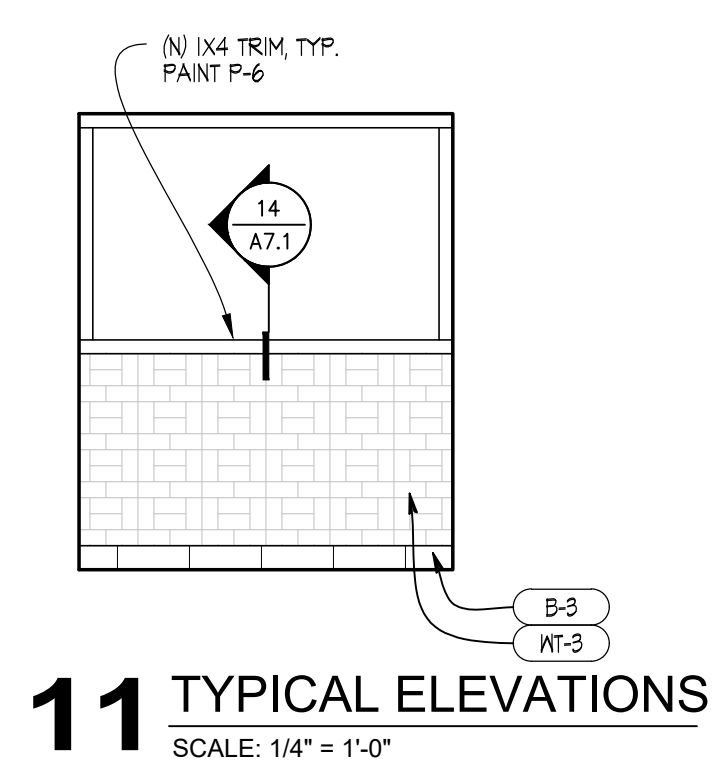


SHEET NAME
 INTERIOR ELEVATIONS
 DINING ROOM

SHEET NUMBER

A7.1

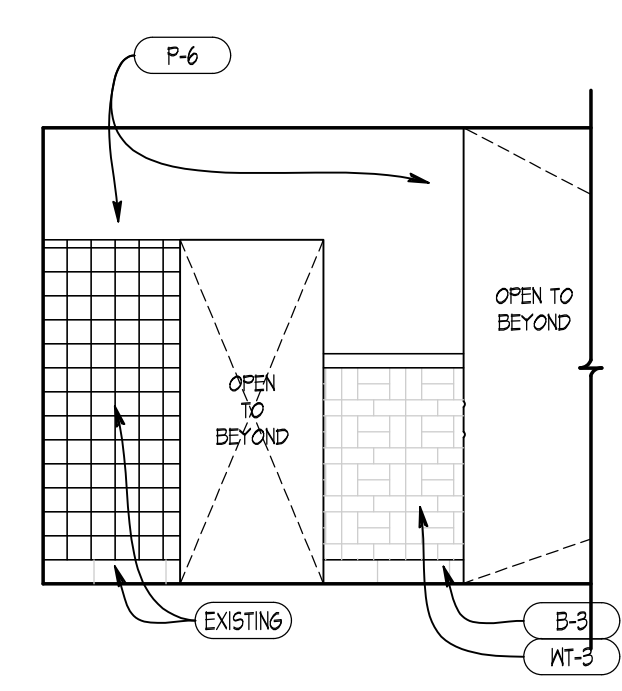
NOTE: SEE SHEET A11 FOR ARTPACK SCHEDULE



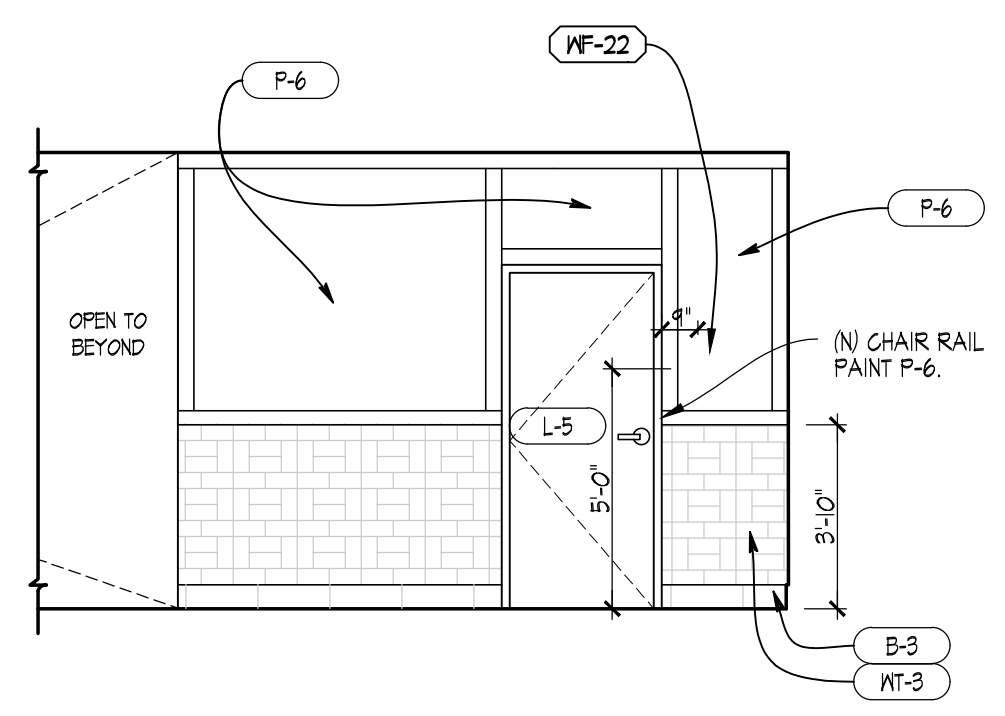
15 BATHROOM TRIM DETAIL
 SCALE: 3" = 1'-0"

14 NEW TRIM DETAIL
 SCALE: 3" = 1'-0"

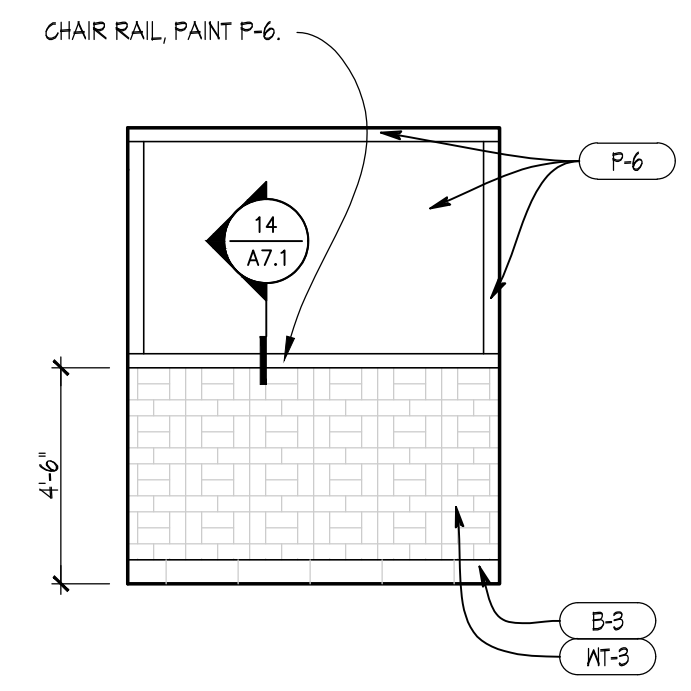
11 TYPICAL ELEVATIONS
 SCALE: 1/4" = 1'-0"



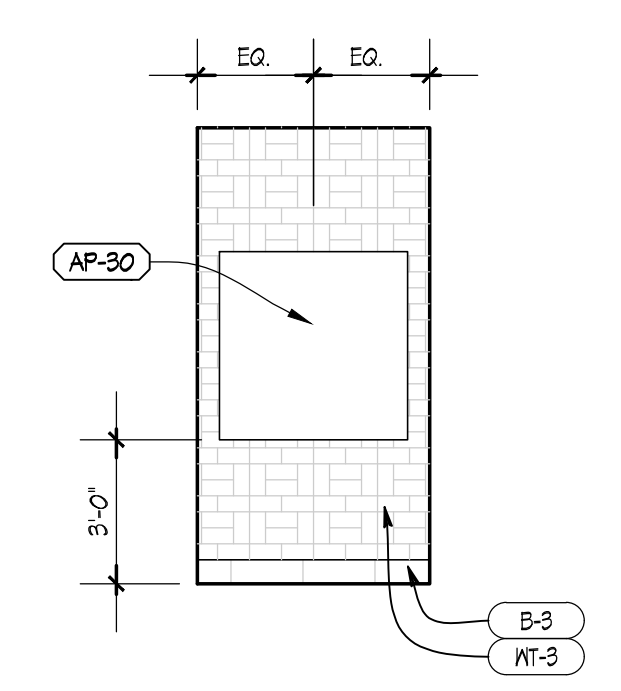
10 SERVING AREA
 SCALE: 1/4" = 1'-0"



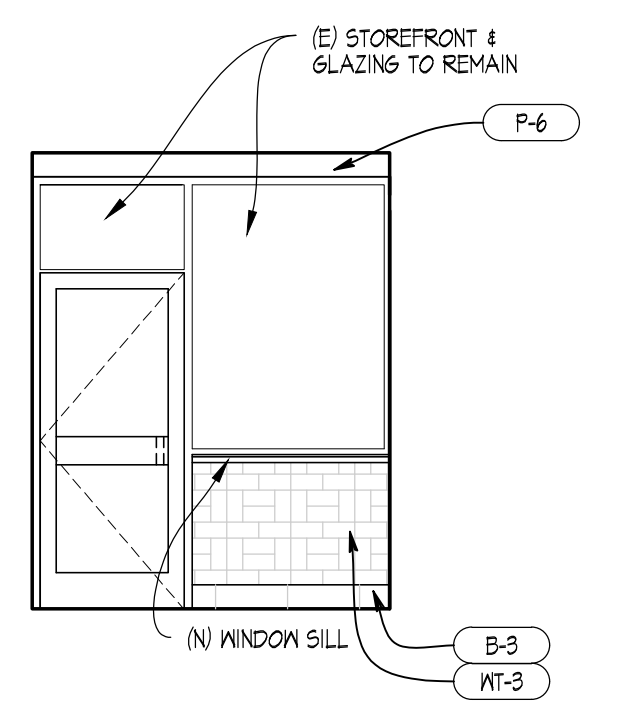
09 HALLWAY
 SCALE: 1/4" = 1'-0"



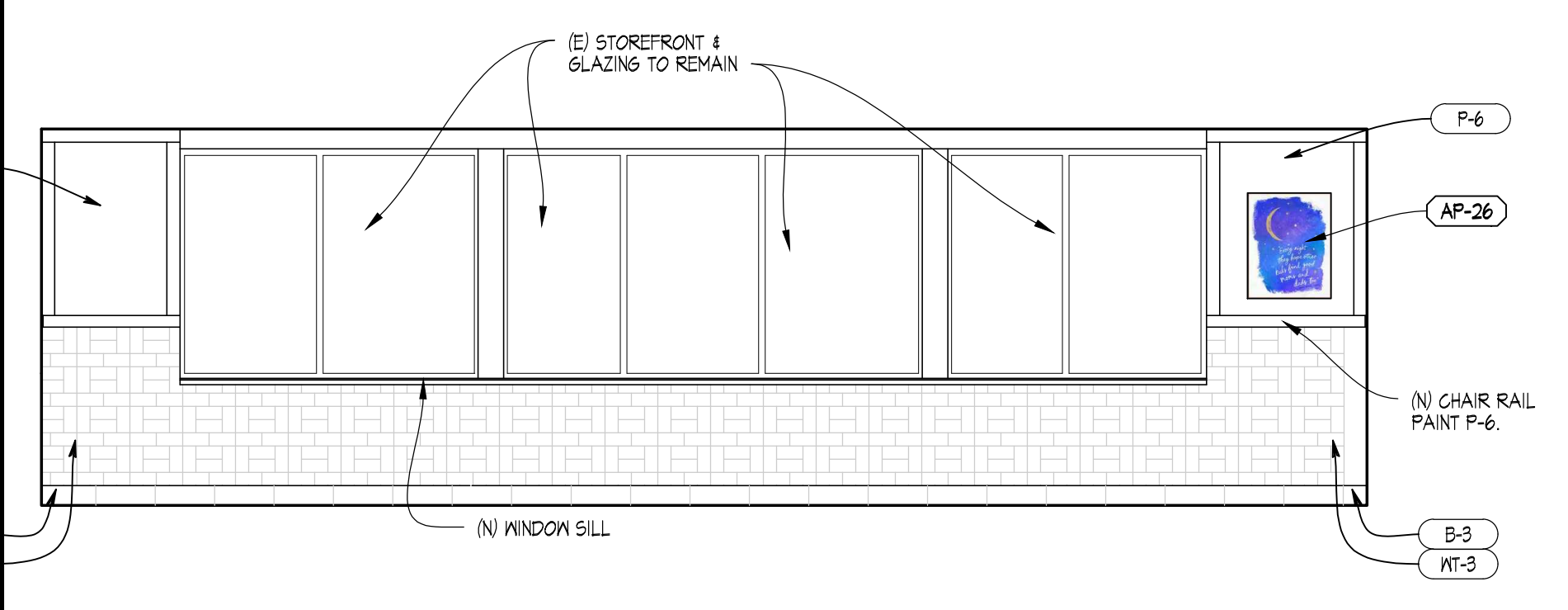
08 VESTIBULE
 SCALE: 1/4" = 1'-0"



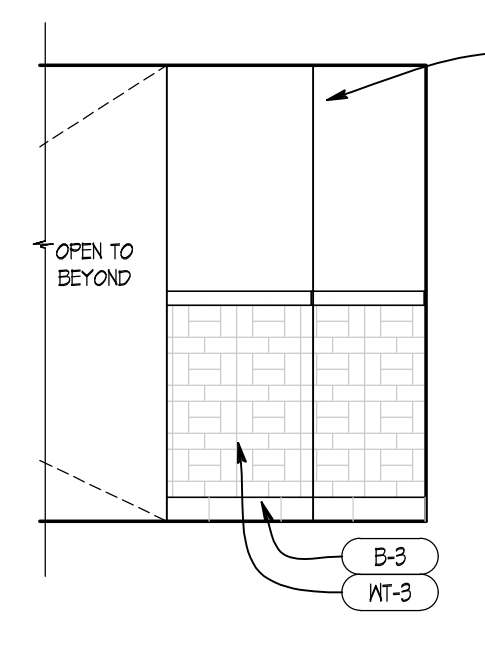
07 VESTIBULE
 SCALE: 1/4" = 1'-0"



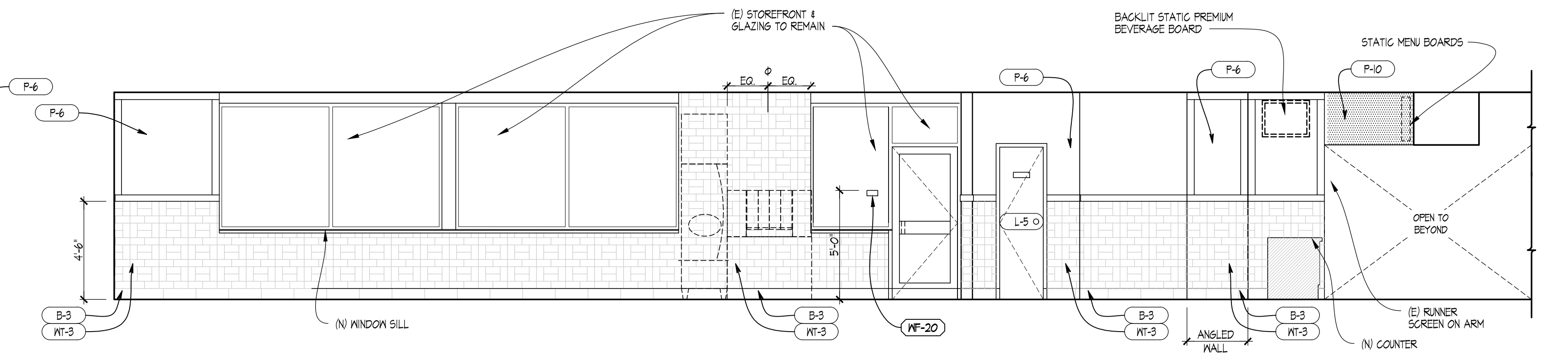
06 VESTIBULE
 SCALE: 1/4" = 1'-0"



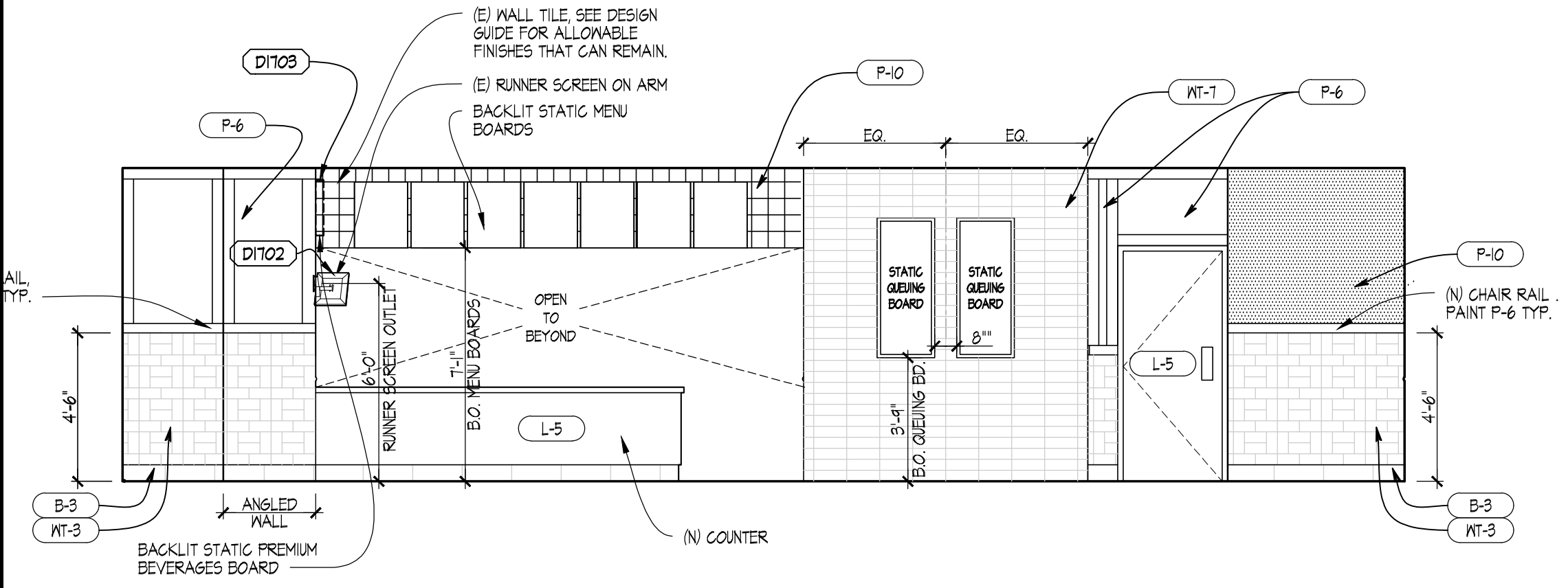
05 DINING ROOM
 SCALE: 1/4" = 1'-0"



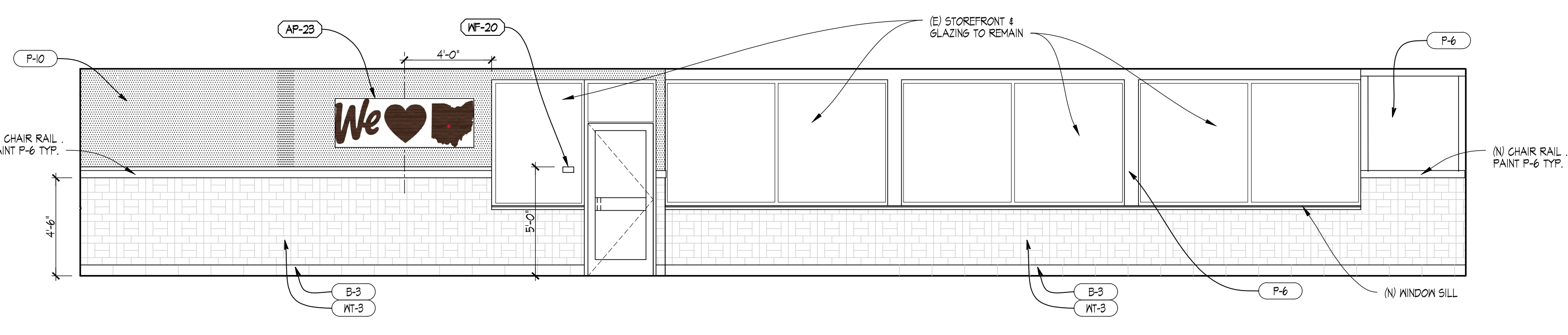
04 DINING ROOM
 SCALE: 1/4" = 1'-0"



03 DINING ROOM
 SCALE: 1/4" = 1'-0"



02 SERVING AREA
 SCALE: 1/4" = 1'-0"



01 DINING ROOM
 SCALE: 1/4" = 1'-0"

11/3/2022 7:39 PM C:\Users\choc\OneDrive - Linear Architecture - Starboard\702-05341 Barry, IL (Refresh, Remodel)\Construction Documents\03_AZ_INTERIOR_ELEVATIONS.dwg, inip