

SITE NUMBER:	05341
BUILDING TYPE:	CG3480
ASSET TYPE:	FREESTANDING
CLASSIFICATION:	REFRESH LT
OWNER:	STARBOARD
BASE VERSION:	2021 SPRING
UPGRADE CLASSIFICATION:	N/A
PROJECT YEAR:	2022
DESIGN TYPE:	(2.0) UM BRIGHT
DRAWING RELEASE:	2021 SPRING

Linear Architecture LLC  
**MARC BRUNDIGE**  
 Architect  
 4436 Harvest Hill Rd.  
 Dallas, TX 75244  
 PHONE: 972.929.9226



STARBOARD GROUP  
 12540 W. ATLANTIC BLVD.  
 CORAL SPRINGS, FL 33071  
 OFFICE: (954)255-2266

**Wendy's**  
 #05341 (STARBOARD #702)  
 2 CIETEN PLAZA  
 BARRY, IL 62312

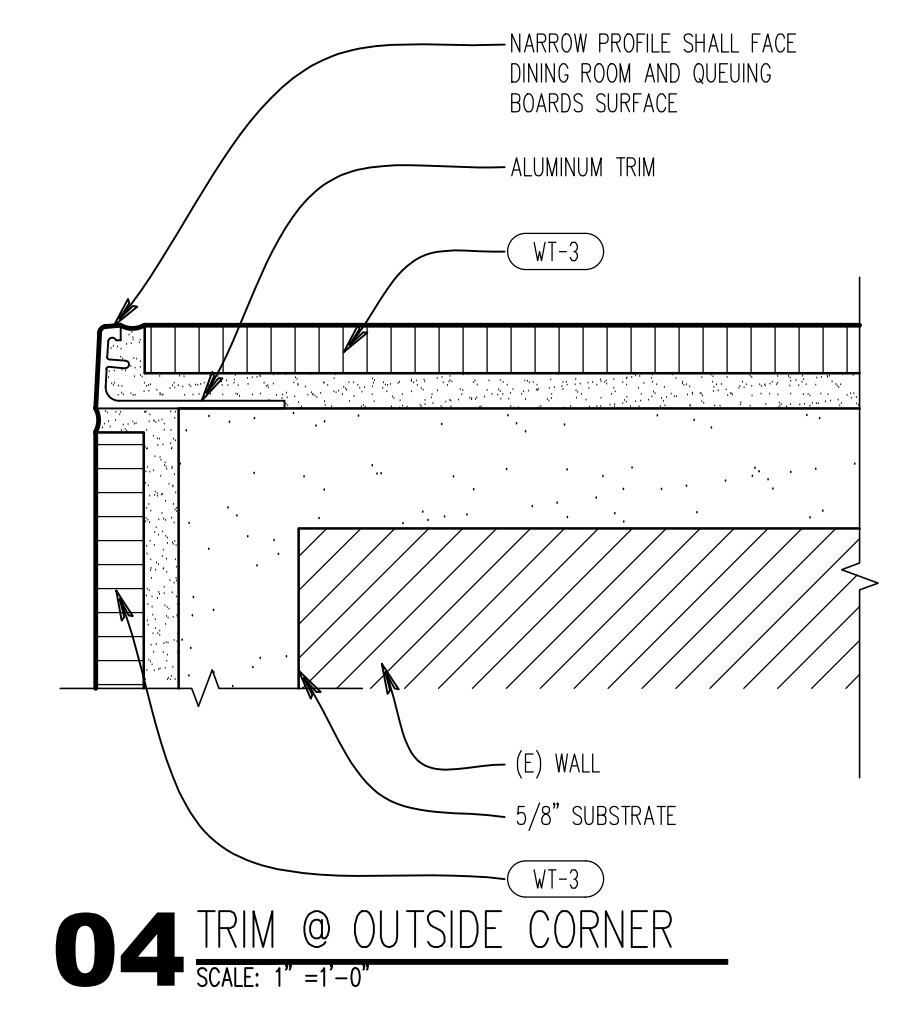
REV.	DATE	DESCRIPTION

ISSUE DATE: 01/07/2021  
 PROJECT NUMBER: 21-128  
 DRAWN BY:  
 CHECKED BY:

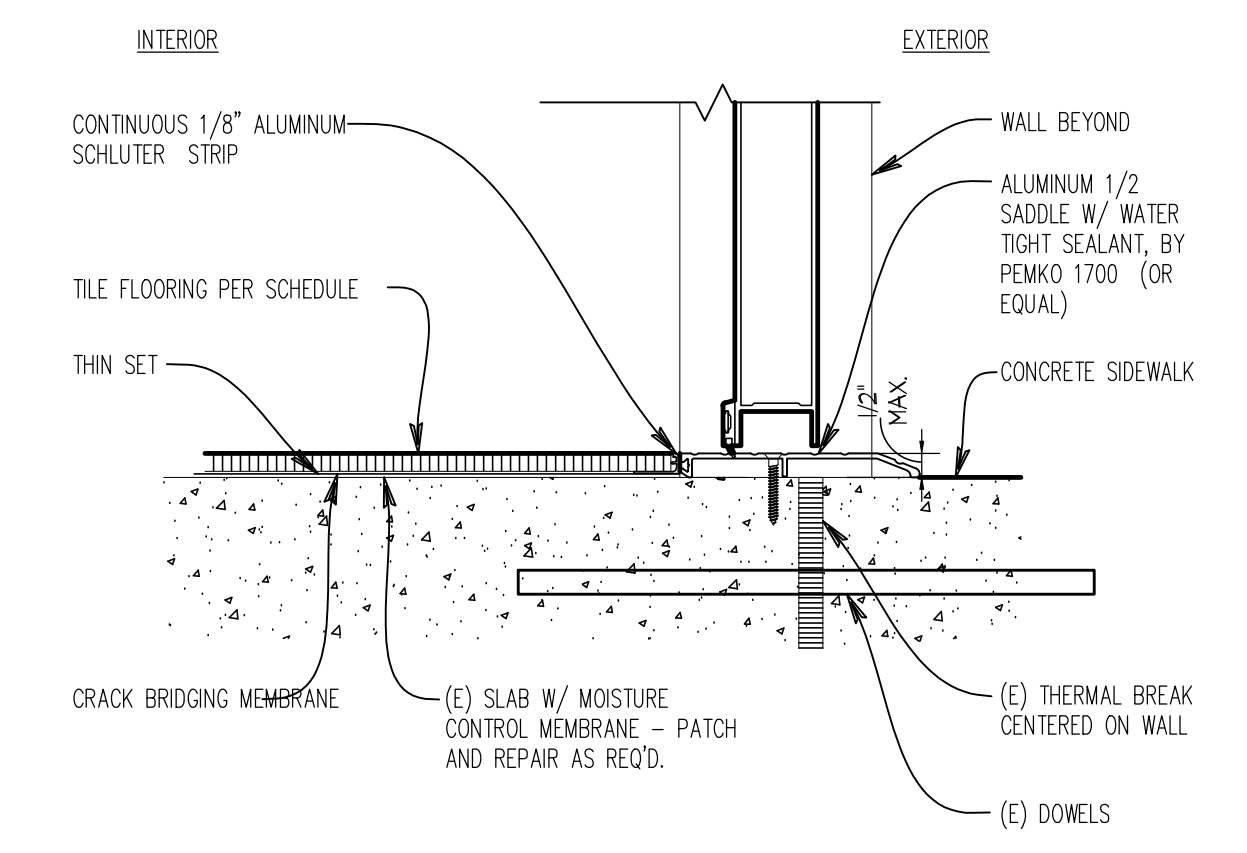


SHEET NAME  
**INTERIOR FINISH DETAILS**

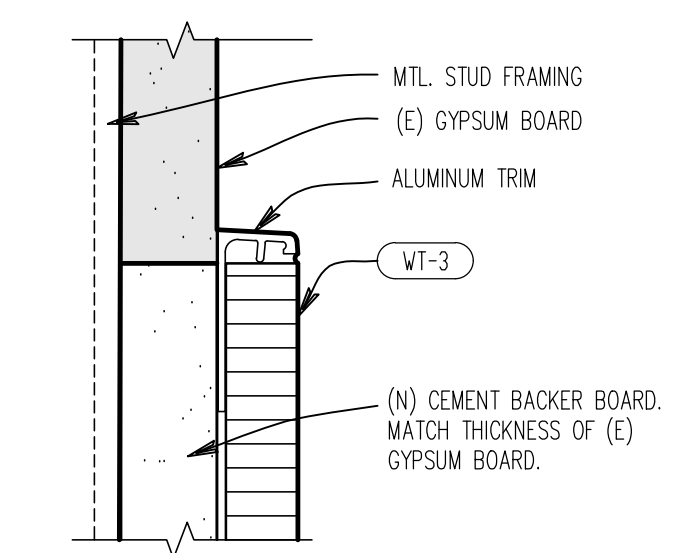
SHEET NUMBER  
**A5.2**



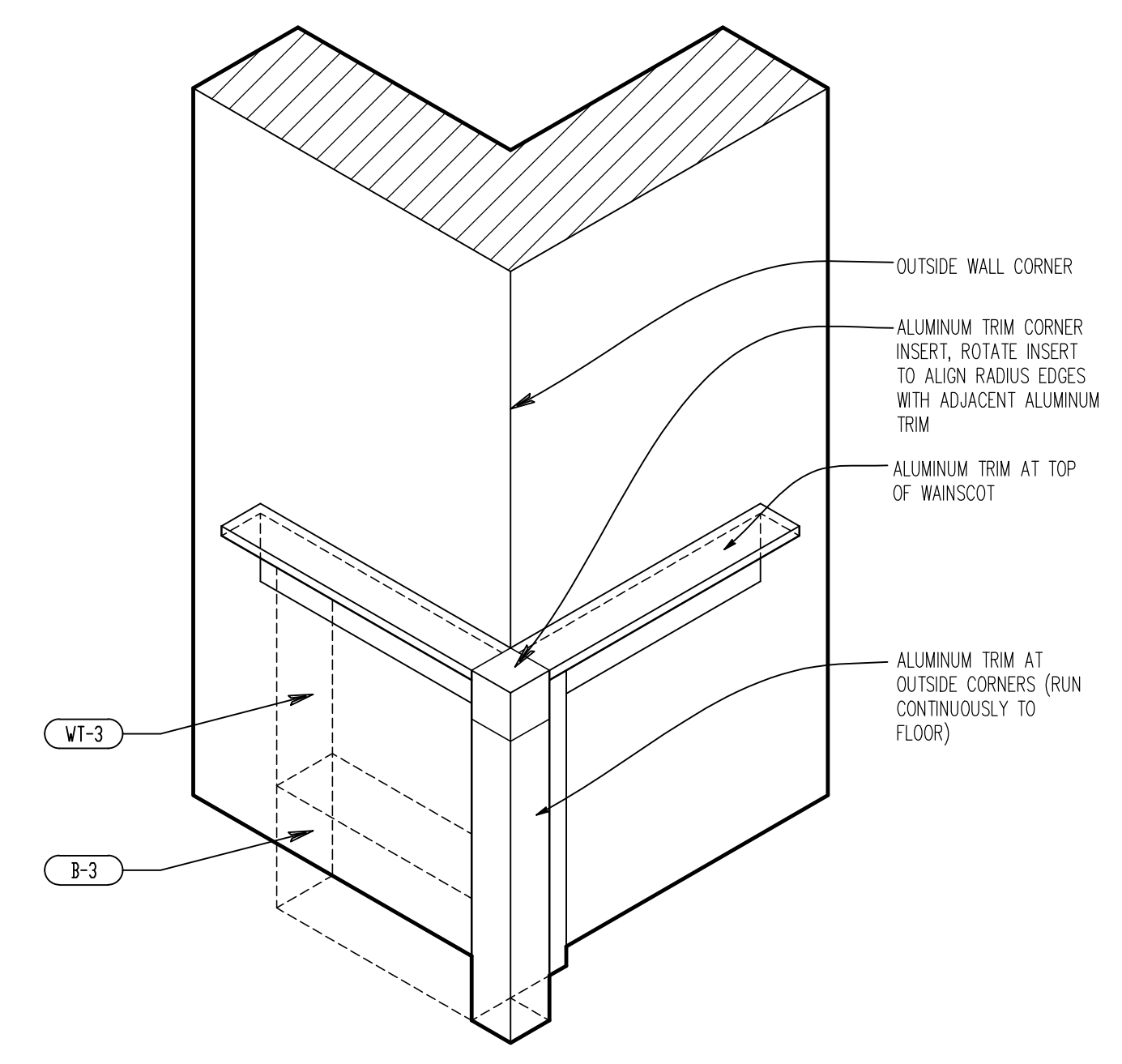
**04 TRIM @ OUTSIDE CORNER**  
 SCALE: 1" = 1'-0"



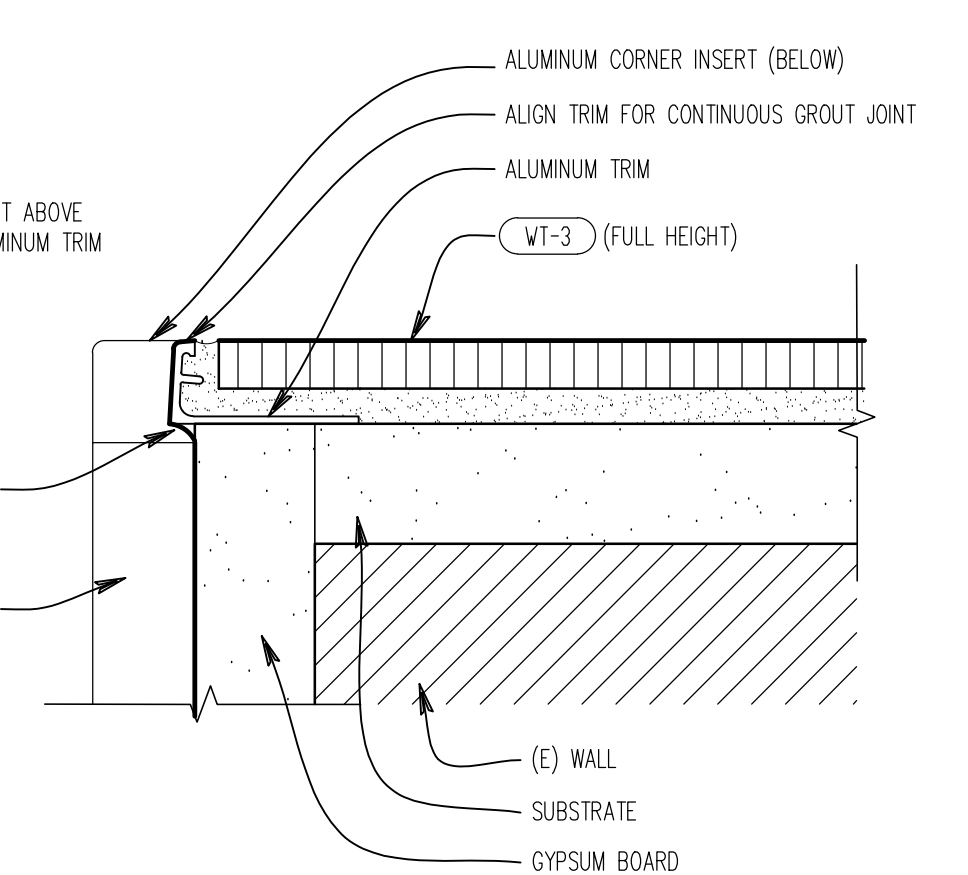
**03 TILE AT EXTERIOR THRESHOLD**  
 SCALE: 3" = 1'-0"



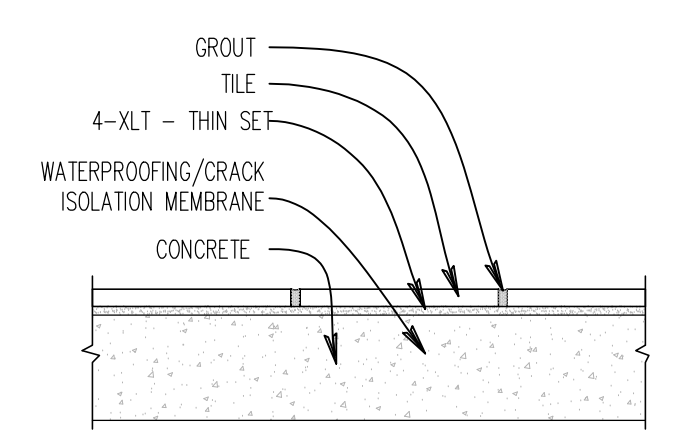
**02 TILE TRANSITION**  
 SCALE: 1" = 1'-0"



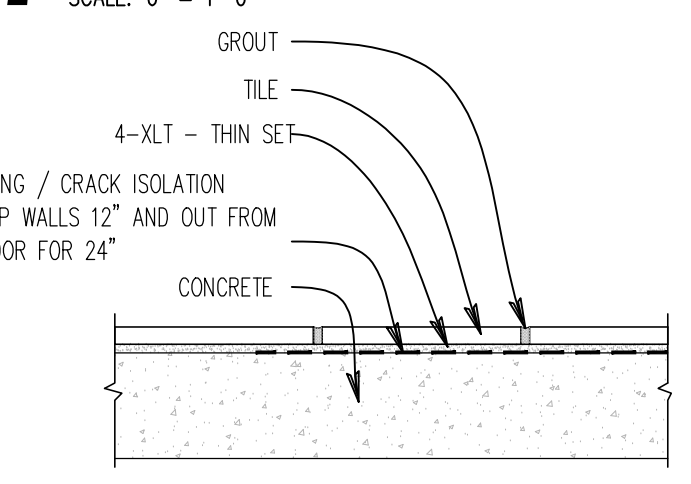
**01 OUTSIDE CORNER AXON**  
 NTS



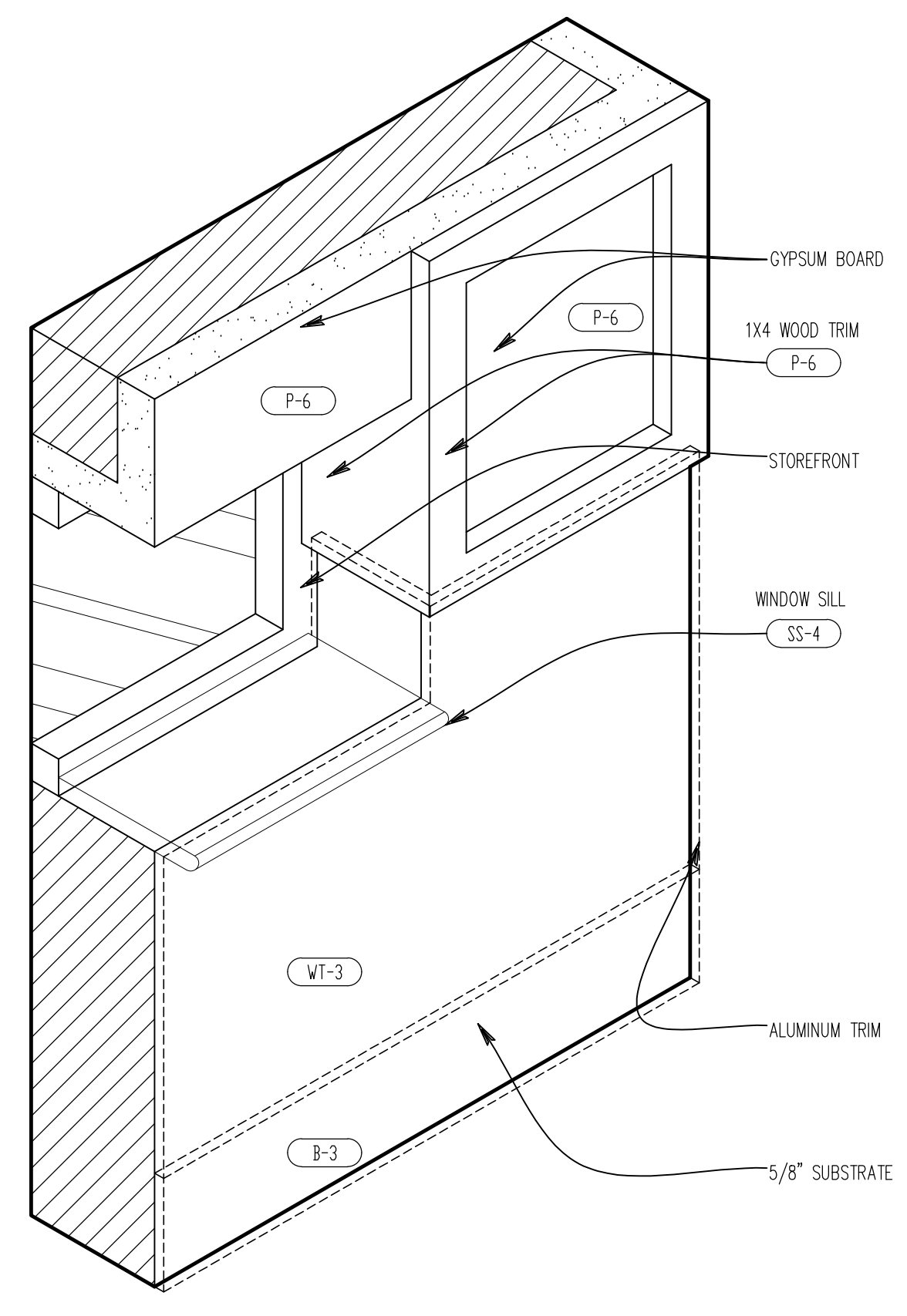
**08 TRIM @ OUTSIDE CORNER**  
 SCALE: 1" = 1'-0"



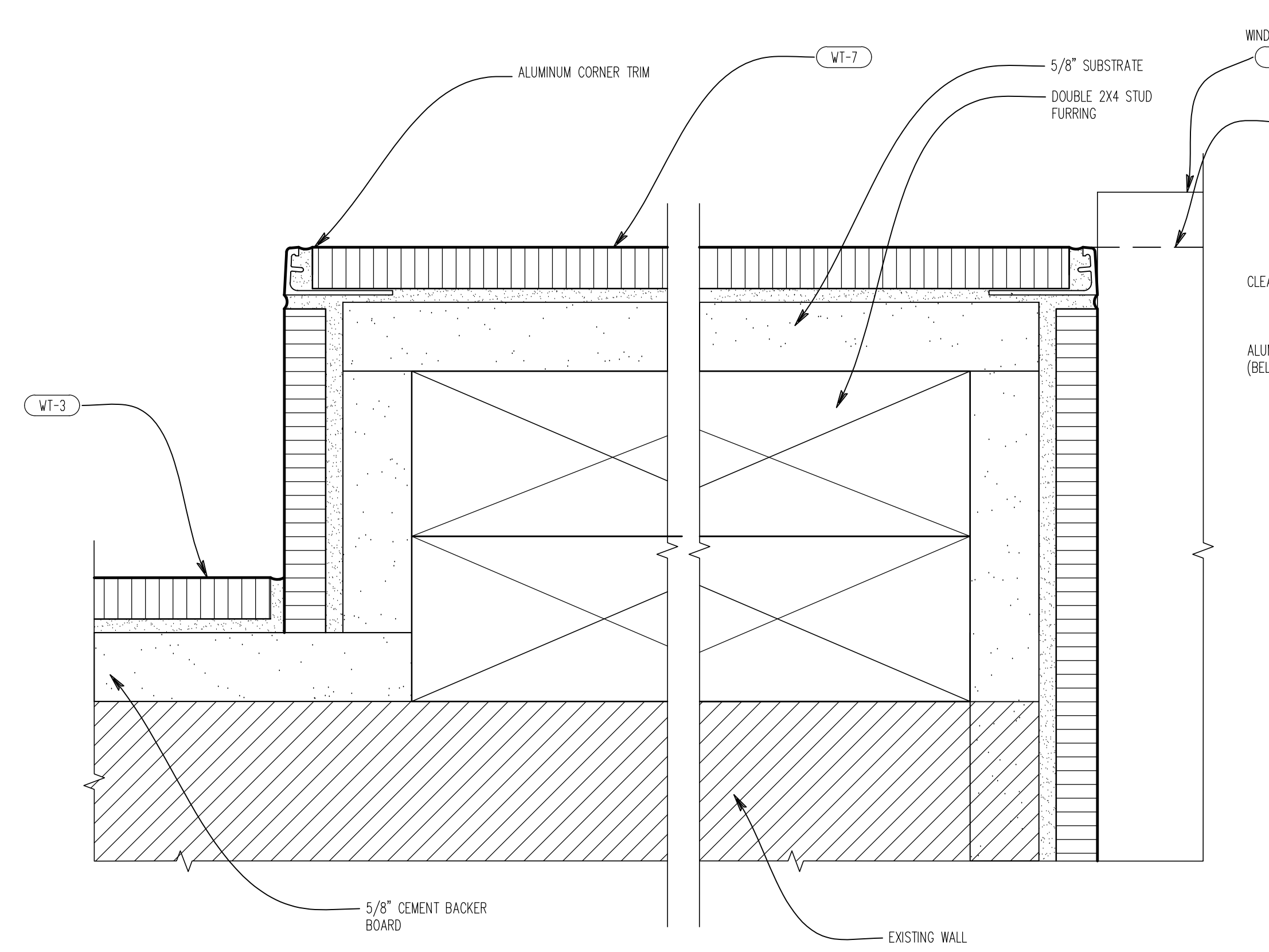
**07 DINING AREA FLOOR GROUT**  
 SCALE: 6" = 1'-0"



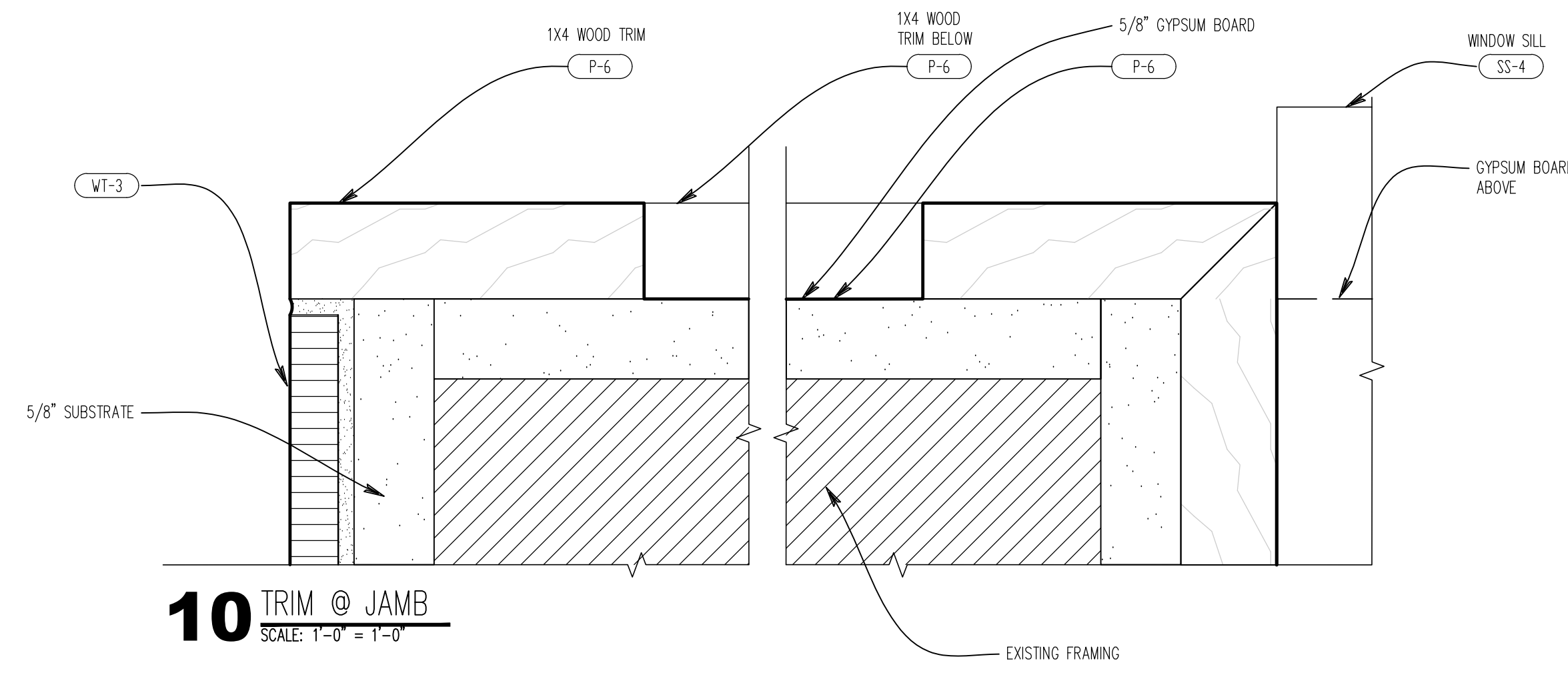
**06 RESTROOMS FLOOR GROUT**  
 SCALE: 6" = 1'-0"



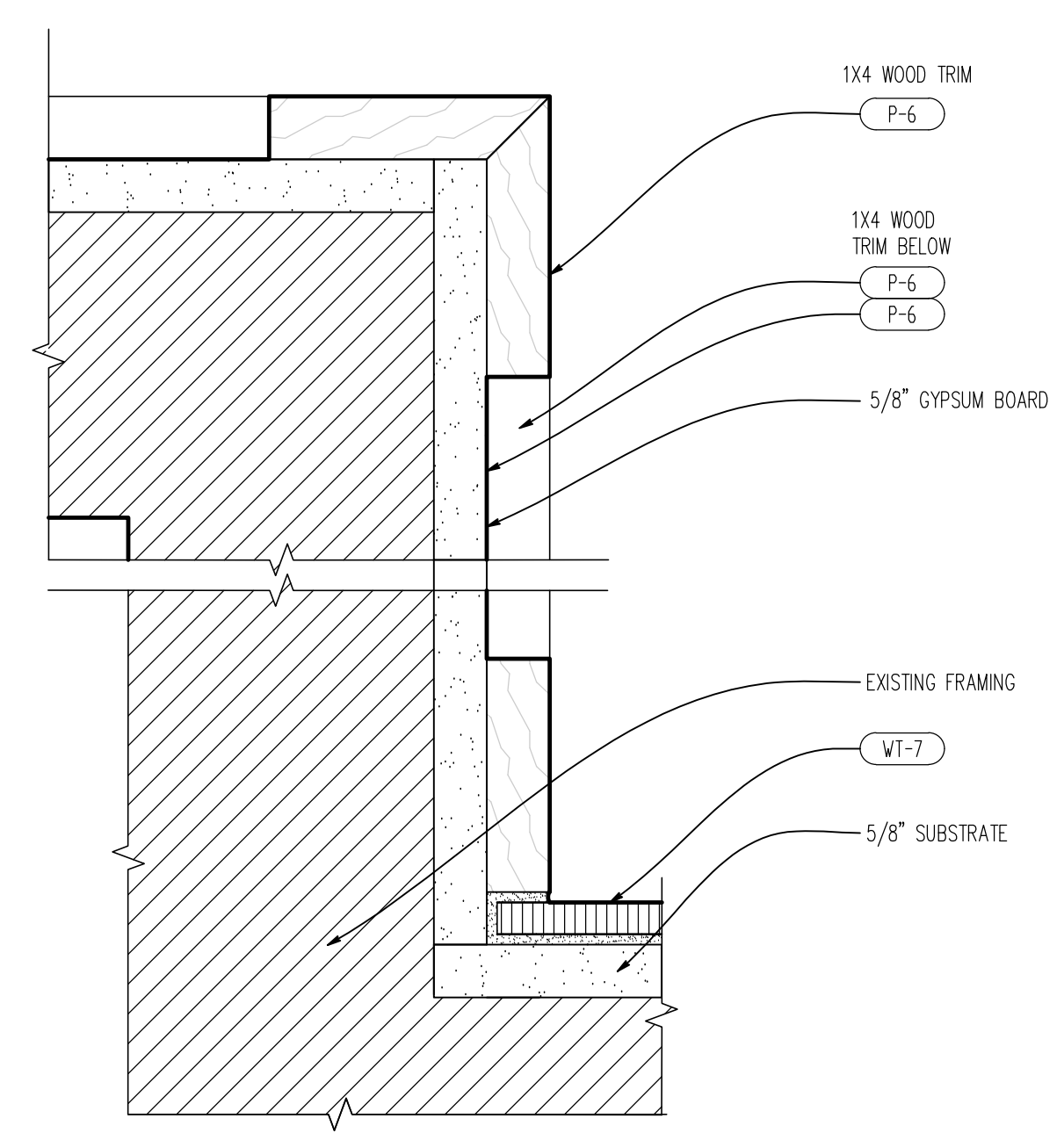
**05 JAMB AXON**  
 NTS



**11 TRIM @ JAMB**  
 SCALE: 1" = 1'-0"

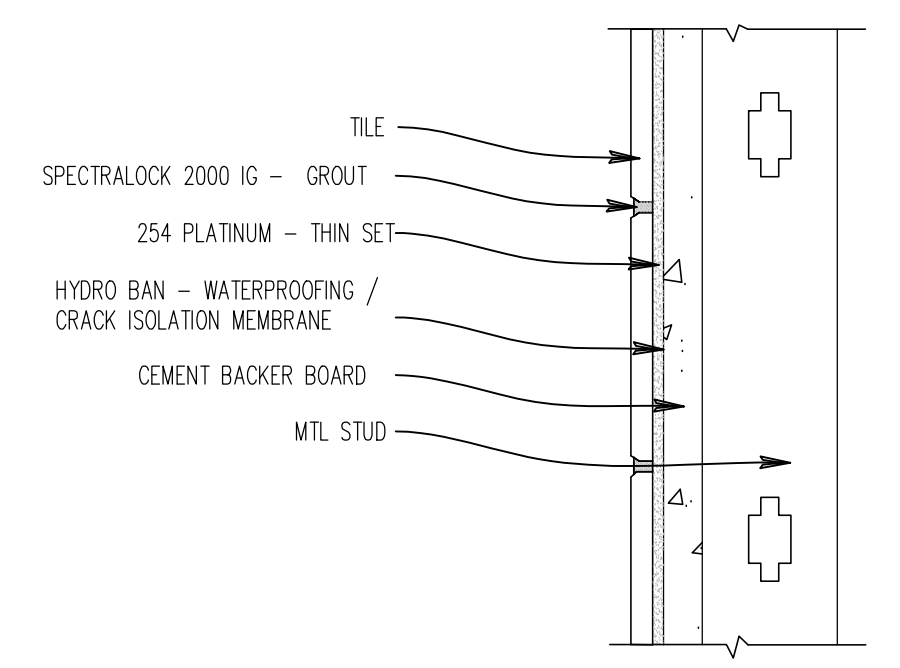


**10 TRIM @ JAMB**  
 SCALE: 1" = 1'-0"



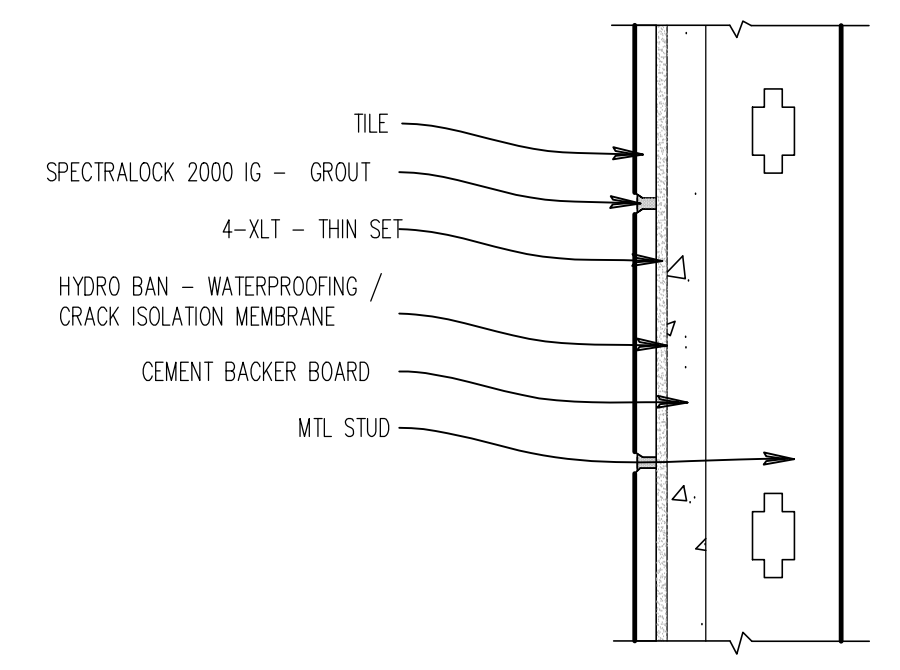
**09 TRIM DETAIL**  
 SCALE: 1/2" = 1'-0"

THIS DETAIL IS BASED ON LATICRETE DETAIL W244C-12 MR-2 / GR-2 / WM-1



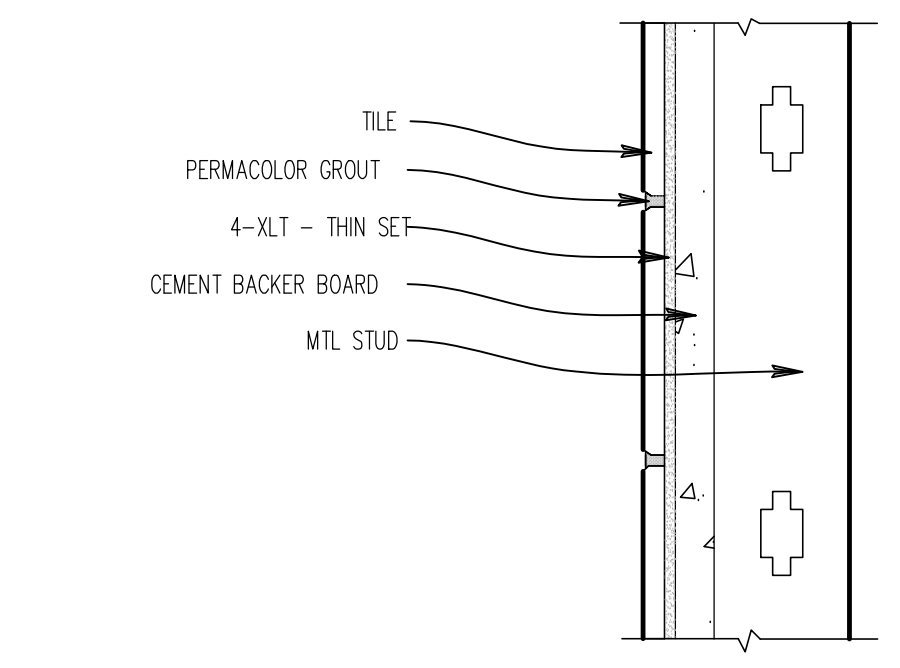
**14 KITCHEN AREA WALL GROUT**  
 SCALE: 6" = 1'-0"

THIS DETAIL IS BASED ON LATICRETE DETAIL W244C-12 MR-1 / GR-2 / WM-1



**13 RESTROOMS WALL GROUT**  
 SCALE: 6" = 1'-0"

THIS DETAIL IS BASED ON LATICRETE DETAIL W244C-12 MR-1 / GR-1



**12 DINING AREA WALL GROUT**  
 SCALE: 6" = 1'-0"

11/14/2022, 12:49 AM, C:\Users\jbrundige\OneDrive - Linear Architecture\OneDrive - Linear Architecture\Projects\05341-Starboard\2021-128-Interior-Finish-Details.dwg, linlog