

PAINT SCHEDULE

Table with columns: COLOR, SHERWIN WILLIAMS, PPG, BENJAMIN MOORE. Rows include EXTERIOR PRIMER, METAL RAILING, WOOD, PLASTIC (HERITAGE II), WROUGHT IRON, ALUMINUM STOREFRONT, METAL, PEX-9 PRIMER, INTERIOR, RESTROOM & KITCHEN GYPSUM BOARD.

JOINT TREATMENT SCHEDULE

(SEE SPECIFICATIONS - DIVISION 7 FOR CLARIFICATION OF TYPES)

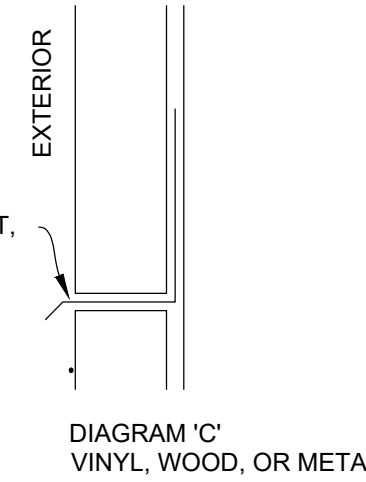
Table with columns: EXT. INT., CONDITION, TYPE. Rows include PERIMETER JOINTS OF DOOR FRAMES, MASONRY / CONCRETE CONTROL JOINTS IN WALLS, EXPANSION JOINTS IN AND AROUND CONCRETE PAVEMENT, INTERSECTION OF DISSIMILAR MATERIALS THAT ALLOW AIR OR WATER INFILTRATION.

JOINT TREATMENT NOTES

- A. THE JOINT TREATMENT SCHEDULE IS INTENDED TO ILLUSTRATE ALL JOINT CONDITIONS WHICH ARE MEANT TO BE SEALED...
B. AT METAL FRAME LOCATIONS (DOORS, WINDOWS, ETC.) HOLD FRAME BACK FROM SUBSTRATE 3/8" @ HEAD & SILL AND 3/16" @ JAMB...
C. PROVIDE PROPER SEALERS AS REQUIRED TO FULLY CLOSE JOINTS THAT ARE INTENDED TO BE TIGHT AND AS SHOWN ON THE DRAWINGS...
D. PROVIDE CLOSED CELL BACKER ROD AS REQUIRED TO ACHIEVE PROPER SEALANT THICKNESS PER MANUFACTURER'S INSTALLATION INSTRUCTIONS...
E. CAUTION, DO NOT SEAL WEEPS AND DRAINAGE CHANNELS IN STOREFRONT OR OTHER ASSEMBLIES.

GENERAL FLASHING REQUIREMENTS

- A. PROPERLY WEEP FLASHING POINTS AND NORMAL DRAINAGE POINTS WITH WEEPS @ 1'-4" O.C. MAX. SPACING...
B. WHERE FLASHING IS LOCATED TERMINATE AND/OR SEPARATES MATERIALS, DO NOT SEAL (U.N.O.) - REFER TO DIAGRAM 'C'...
C. UNLESS NOTED OTHERWISE, TURN FLASHING UP A MIN. OF 4" BEHIND APPROPRIATE MATERIALS...
D. FLASHING CONDITIONS, WHETHER DETAILED OR NOT, ARE TO BE IN ACCORDANCE WITH S.M.A.C.N.A. SPECIFICATIONS...
E. UNLESS NOTED OTHERWISE, AT FLASHING HIGH POINTS SEAL WATER TIGHT TO BACK-UP SUBSTRATE.



BLDG. INSULATION SCHED.

Table with columns: DESCRIPTION, THICKNESS (TOTAL R-VALUE), LOCATION. Rows include RIGID PERIMETER FOUNDATION INSULATION (EXTRUDED POLYSTYRENE), BATT INSULATION, FIBERGLASS BATT INSULATION (FOIL FACE FSK-25), RIGID ROOF INSULATION (POLYSOCYANURATE), SOUND ATTENUATION BATT INSULATION.

BUILDING INSULATION GENERAL NOTES

- A. INSULATION LOCATIONS SHOWN IN SCHEDULE ARE INTENDED ONLY FOR CLARIFICATION PURPOSES AND ARE NOT INTENDED TO BE ALL-ENCOMPASSING... PROVIDE EACH INSULATION TYPE AS REQUIRED TO FULLY MAINTAIN THE THERMAL INTEGRITY OF THE CONSTRUCTION ASSEMBLIES RELATED TO THE ENTIRE BUILDING ENVELOPE.

EXTERIOR FURNITURE SCHEDULE

Table with columns: SYMBOL, DESCRIPTION, PRODUCT INFO, 8/21/2020. Rows include PATIO TABLE AND CHAIRS, PATIO UMBRELLA, PATIO TRASH RECEPTACLE, PATIO RAILING, PATIO ACCESSORIES.

Table with project information: SITE NUMBER: 00915, BUILDING TYPE: 3076, ASSET TYPE: FREESTANDING, CLASSIFICATION: REFRESH, OWNER: STARBOARD, BASE VERSION: 2021 SPRING, UPGRADE CLASSIFICATION: N/A, PROJECT YEAR: 2022, DESIGN TYPE: (2.0) UM BRIGHT, DRAWING RELEASE: 2021 SPRING.

Linear Architecture LLC
Philip Kemery, Architect
4436 Harvest Hill Rd.
Dallas, TX 75244
PHONE: 972.929.9226



STARBOARD GROUP
12540 W. ATLANTIC BLVD.
CORAL SPRINGS, FL 33071
OFFICE: (954)255-2266

Wendy's
#00915 (STARBOARD #507)
13119 N. DALE MABRY HWY.
TAMPA, FL 33618

Table with columns: REV., DATE, DESCRIPTION. Includes revision history for the drawing.

ISSUE DATE: 01/04/2022
PROJECT NUMBER: 21-121
DRAWN BY:
CHECKED BY:



SHEET NAME
PAINT, TILE, BLDG INSULATION, & JOINT TREATMENT SCHEDULE

SHEET NUMBER
A6.1

1/17/2022, 2:45 PM, G:\Users\jagp\OneDrive - Linear Architecture - Linear Architecture - Tampa, FL (North Dash) - Revisions\Construction - Document\03_A6_Schedule.dwg, jlp