

SITE NUMBER:	00495
BUILDING TYPE:	3076
ASSET TYPE:	FREESTANDING
CLASSIFICATION:	REFRESH
OWNER:	STARBOARD
BASE VERSION:	2021 SPRING
UPGRADE CLASSIFICATION:	N/A
PROJECT YEAR:	2022
DESIGN TYPE:	(2.0) UM BRIGHT
DRAWING RELEASE:	2021 SPRING

Linear Architecture LLC  
Philip Kemery,  
Architect  
4436 Harvest Hill Rd.  
Dallas, TX 75244  
PHONE: 972.929.9226

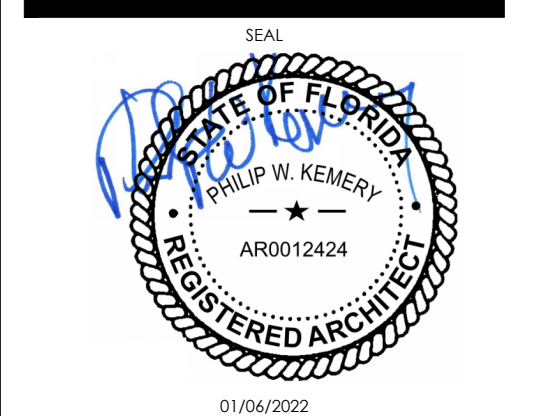


STARBOARD GROUP  
12540 W. ATLANTIC BLVD.  
CORAL SPRINGS, FL 33071  
OFFICE: (954)255-2266

**Wendy's**  
#00495 (STARBOARD #504)  
1501 HILLSBOROUGH AVE.  
TAMPA, FL 33610

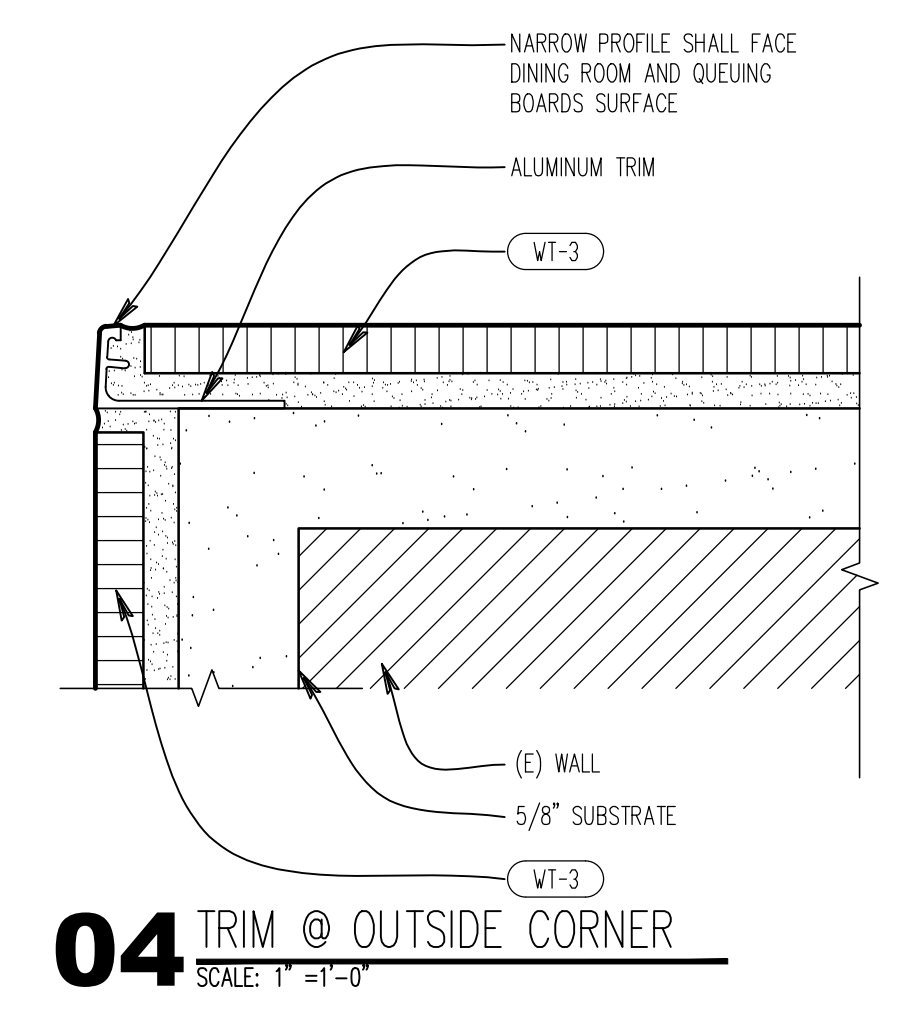
REV.	DATE	DESCRIPTION

ISSUE DATE: 01/05/2021  
PROJECT NUMBER: 21-120  
DRAWN BY:  
CHECKED BY:

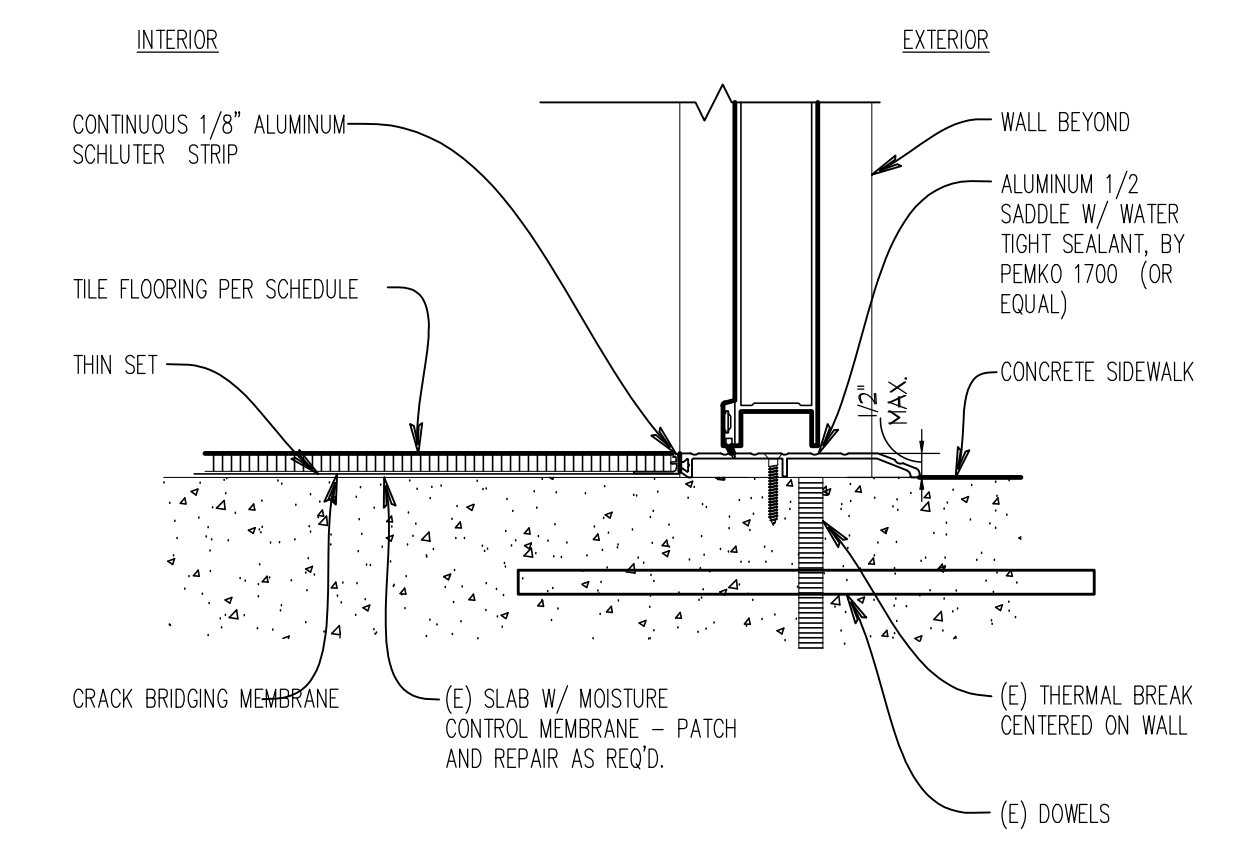


01/04/2022  
SHEET NAME  
**INTERIOR FINISH DETAILS**  
SHEET NUMBER

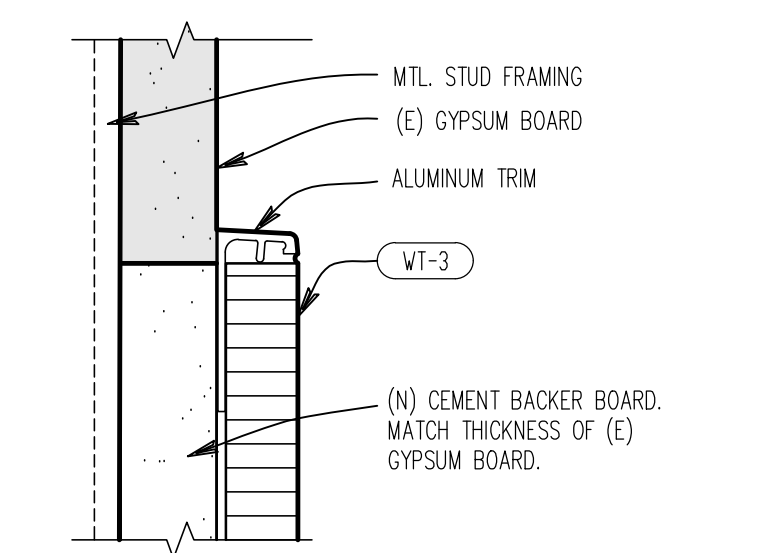
**A5.2**



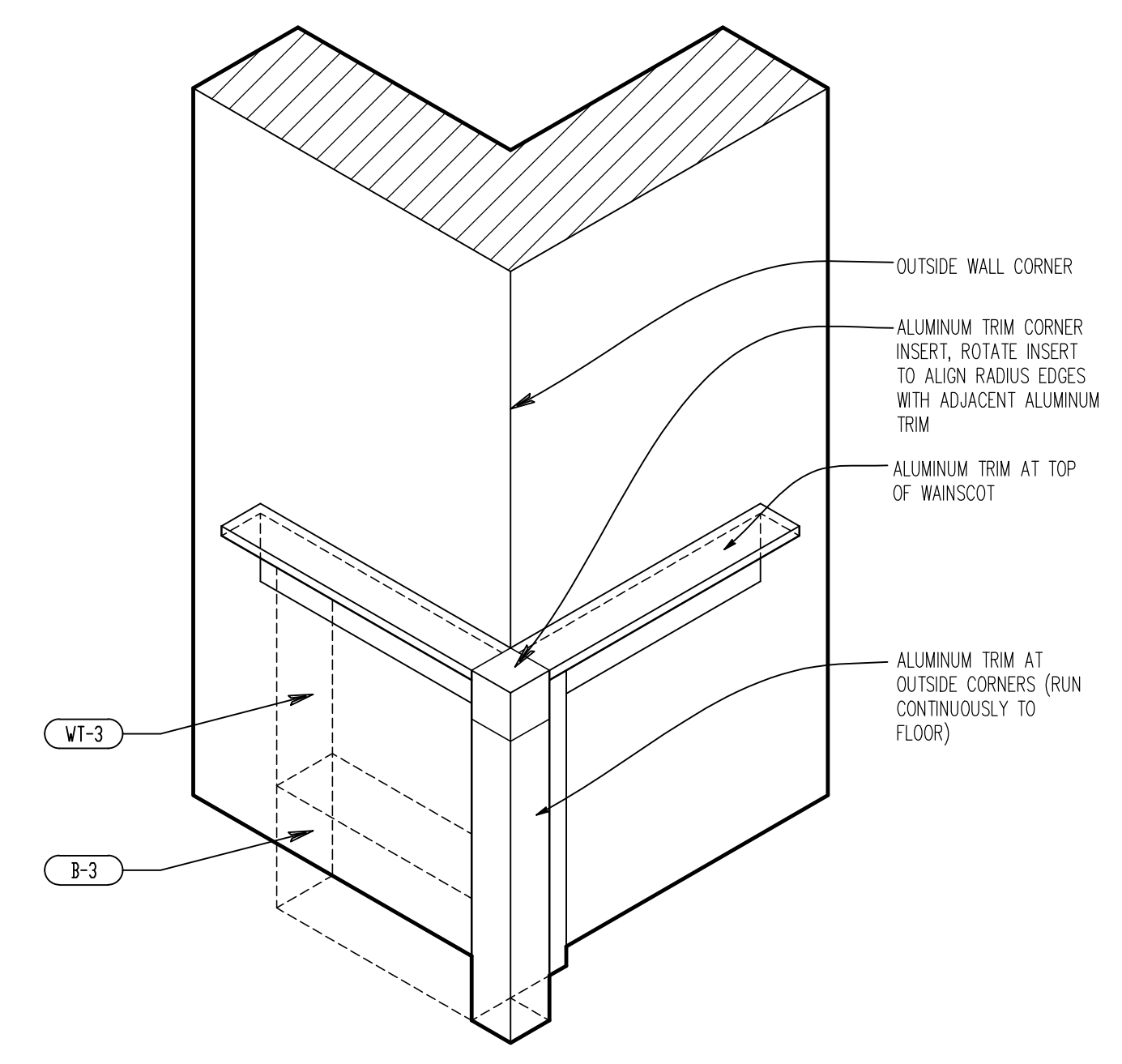
**04 TRIM @ OUTSIDE CORNER**  
SCALE: 1' = 1'-0'



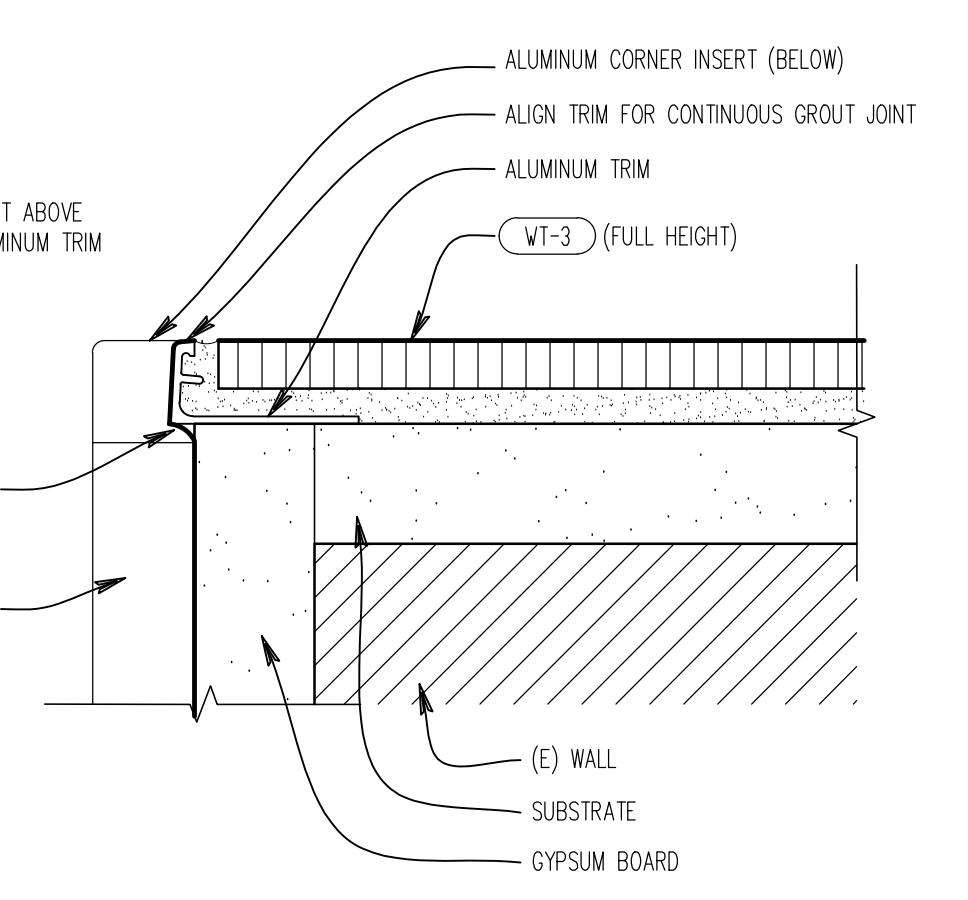
**03 TILE AT EXTERIOR THRESHOLD**  
SCALE: 3' = 1'-0'



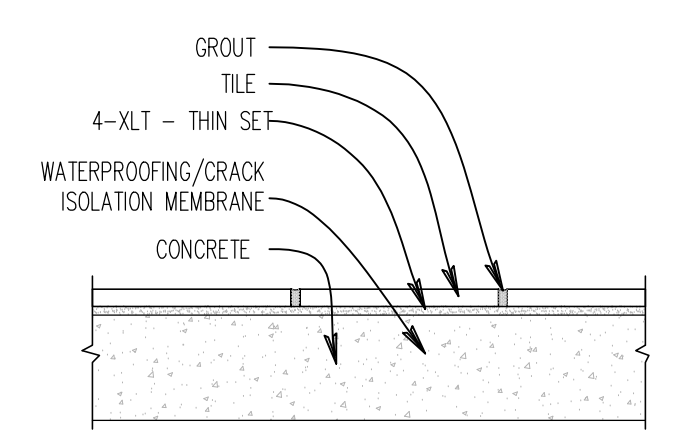
**02 TILE TRANSITION**  
SCALE: 1'-0' = 1'-0'



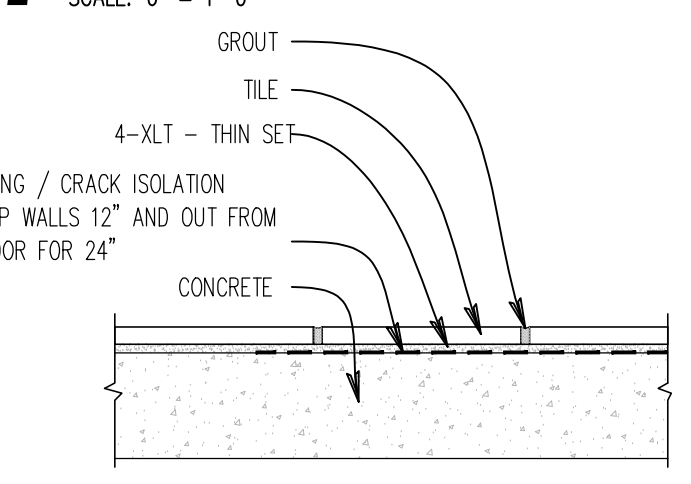
**01 OUTSIDE CORNER AXON**  
NTS



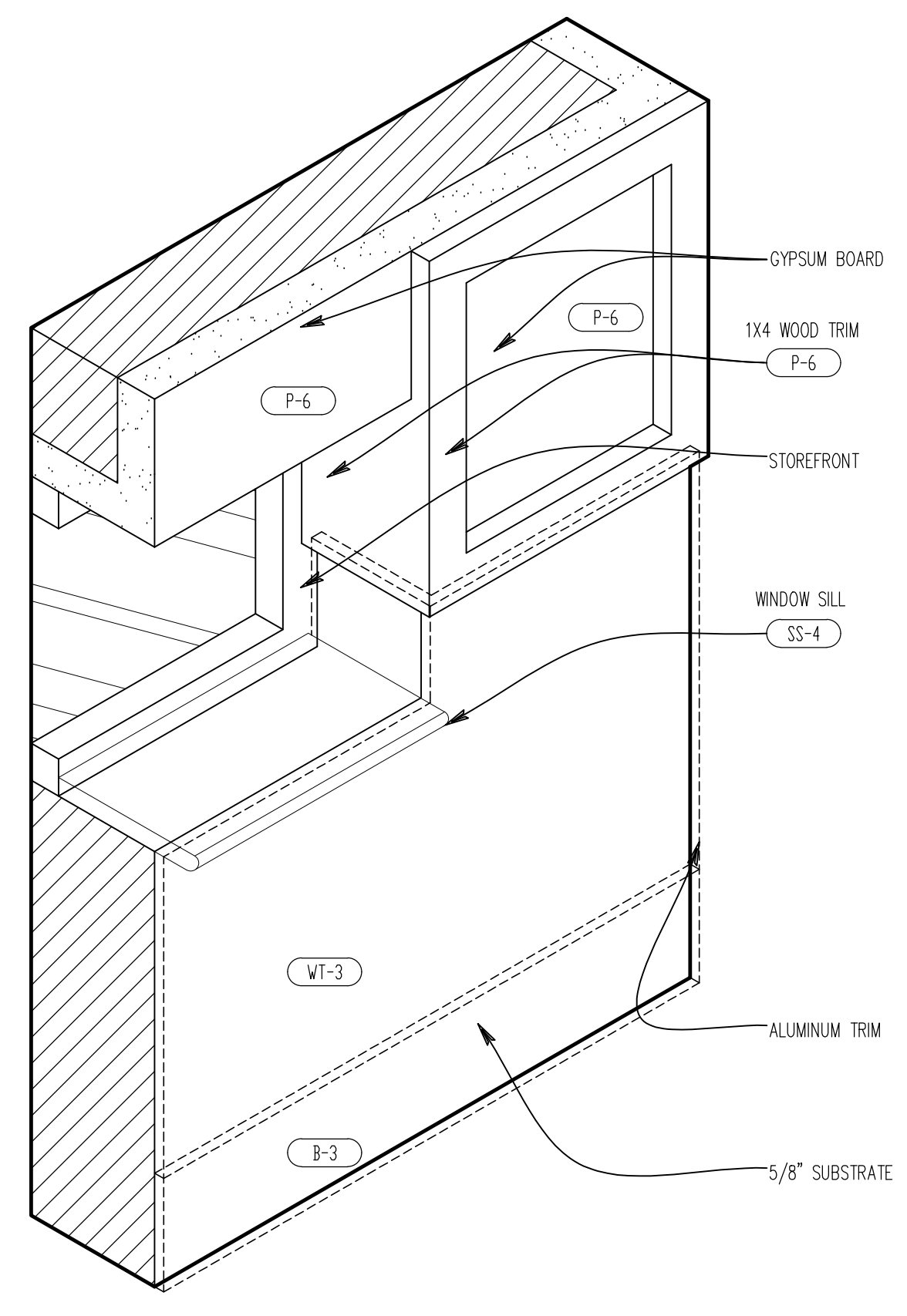
**08 TRIM @ OUTSIDE CORNER**  
SCALE: 1'-0' = 1'-0'



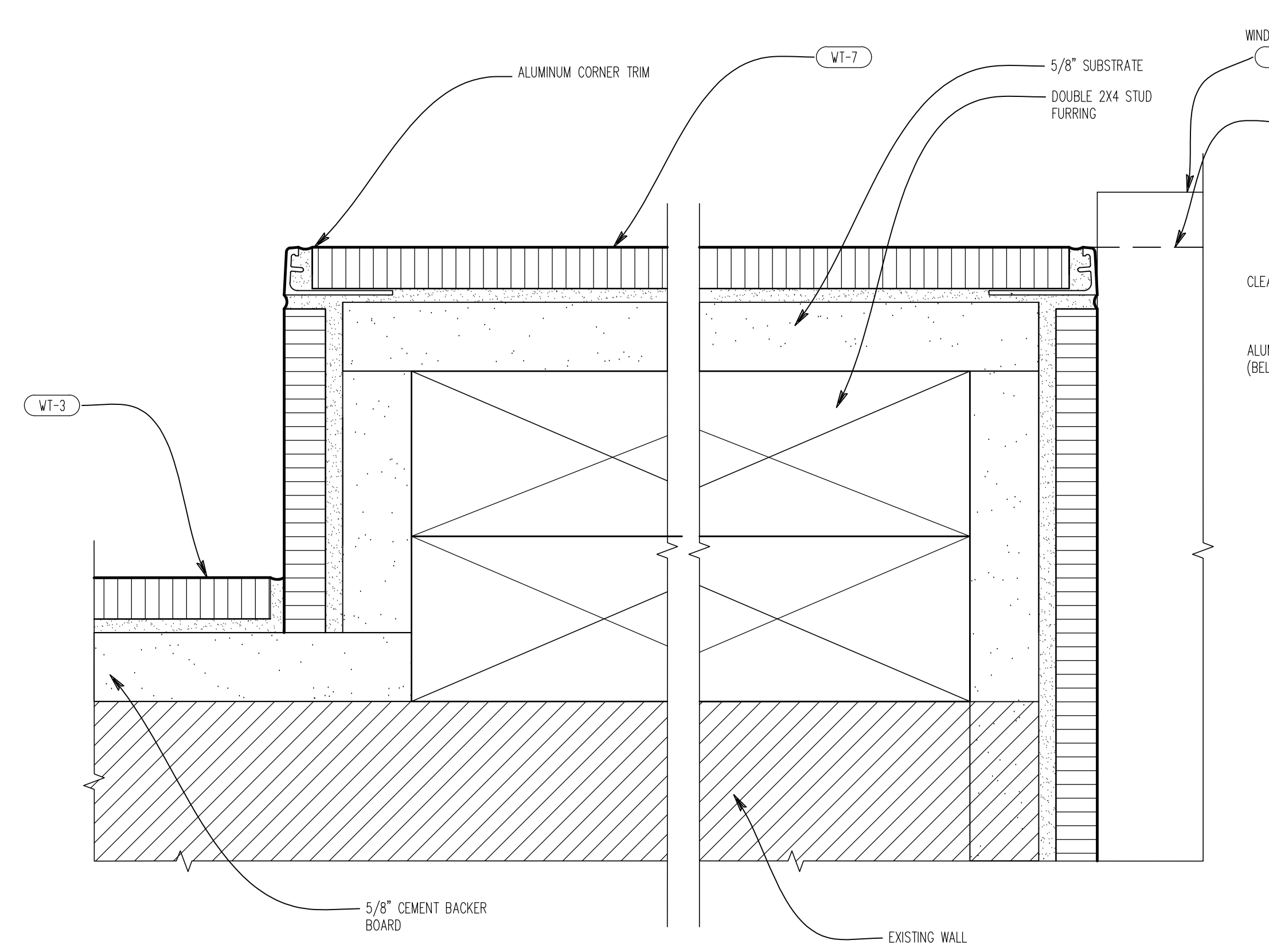
**07 DINING AREA FLOOR GROUT**  
SCALE: 6' = 1'-0'



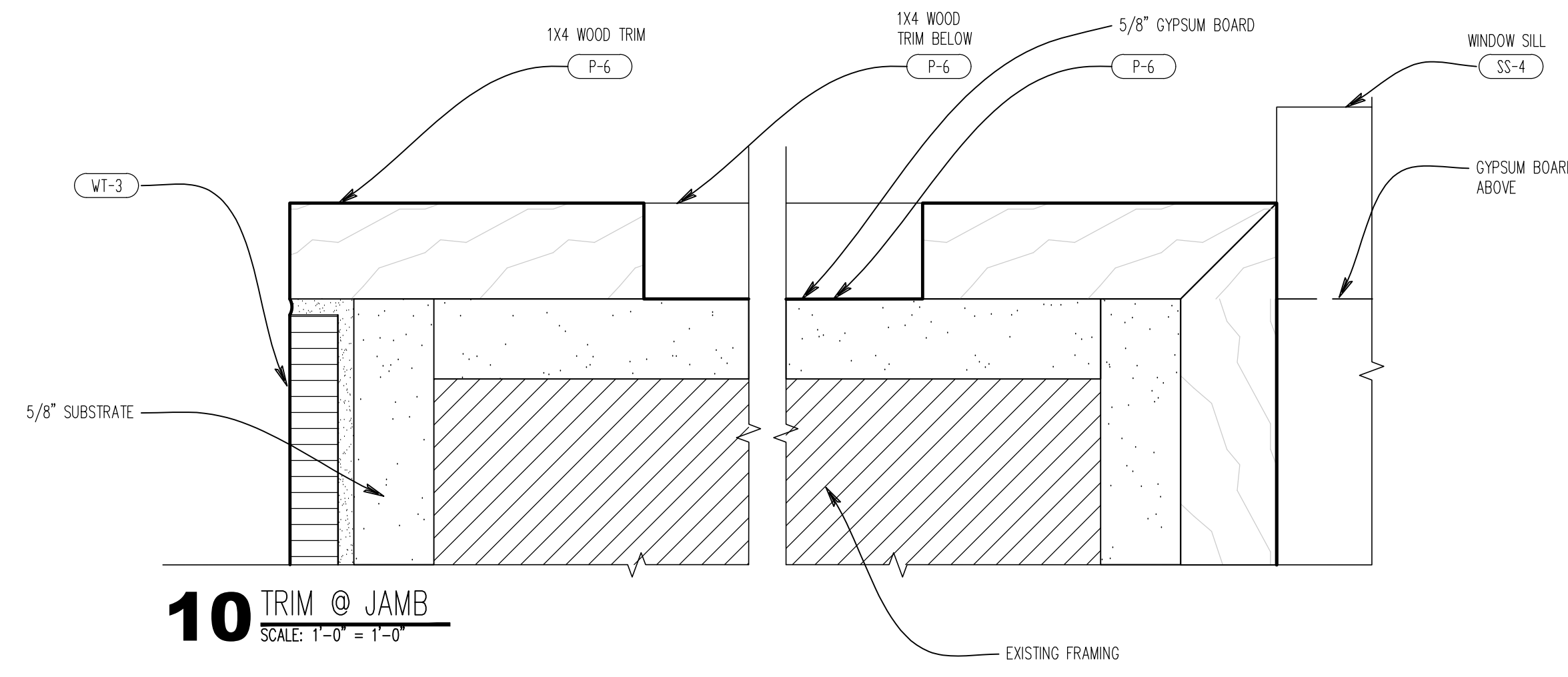
**06 RESTROOMS FLOOR GROUT**  
SCALE: 6' = 1'-0'



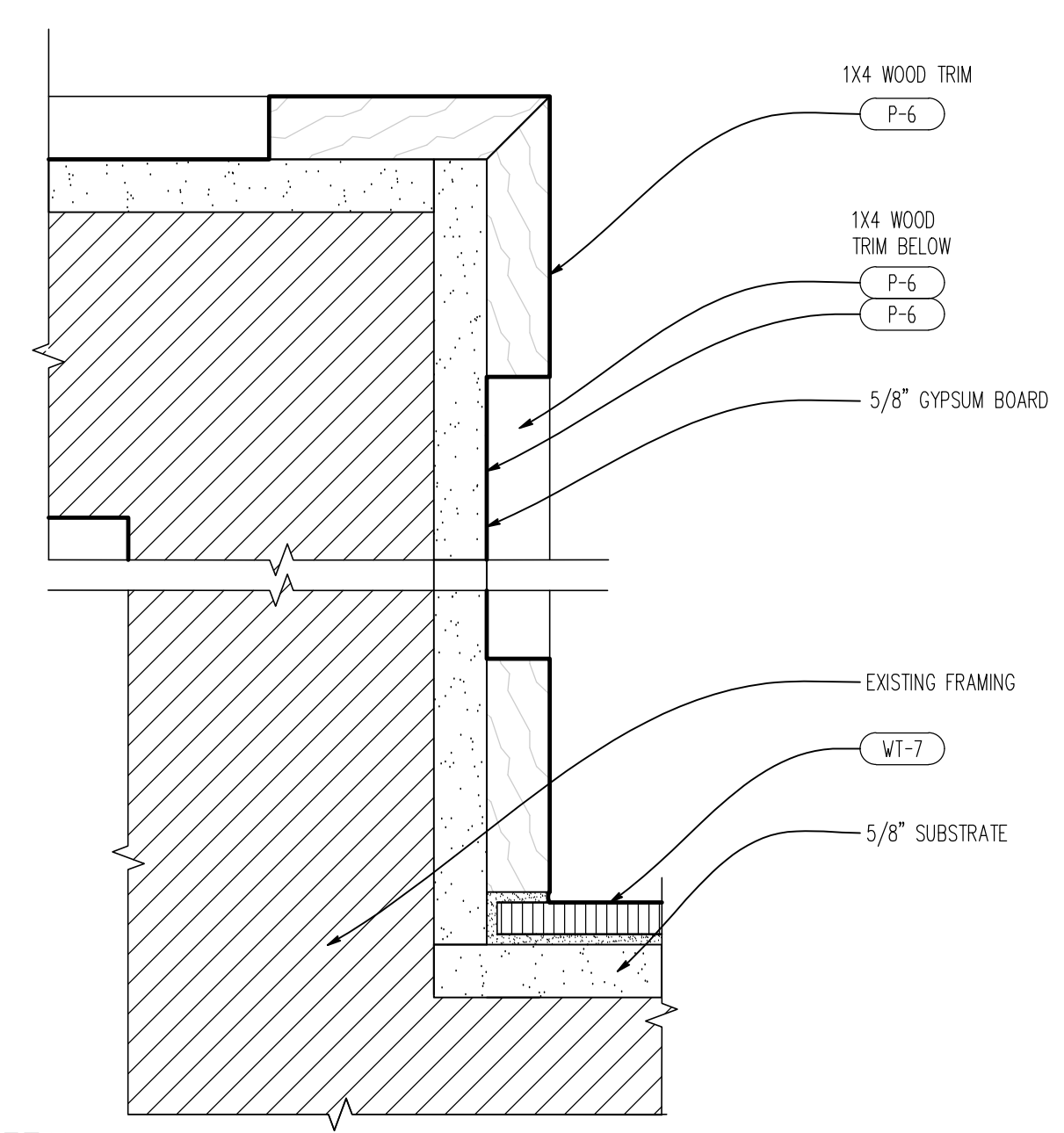
**05 JAMB AXON**  
NTS



**11 TRIM @ JAMB**  
SCALE: 1' = 1'-0'

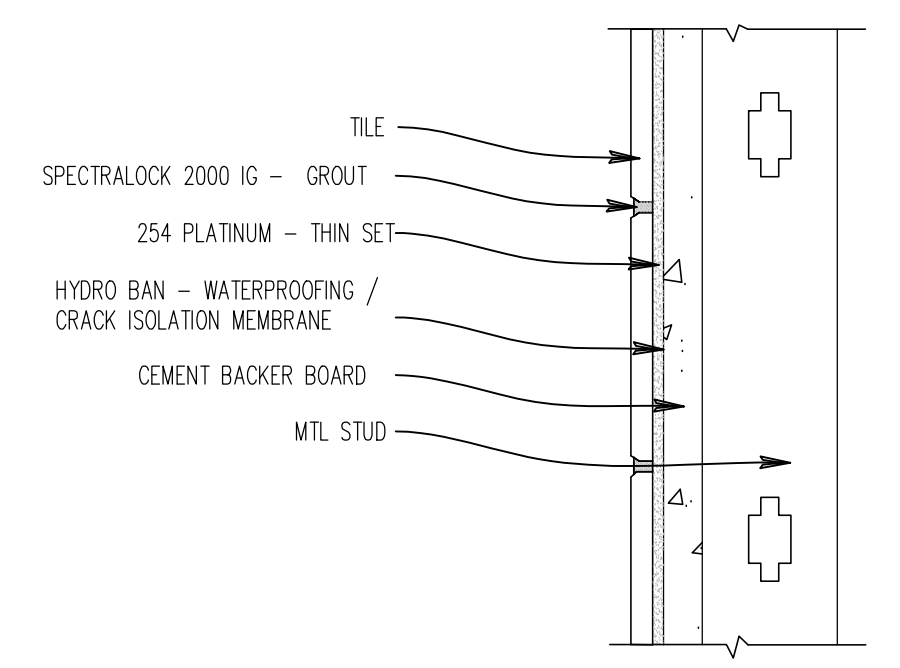


**10 TRIM @ JAMB**  
SCALE: 1'-0' = 1'-0'



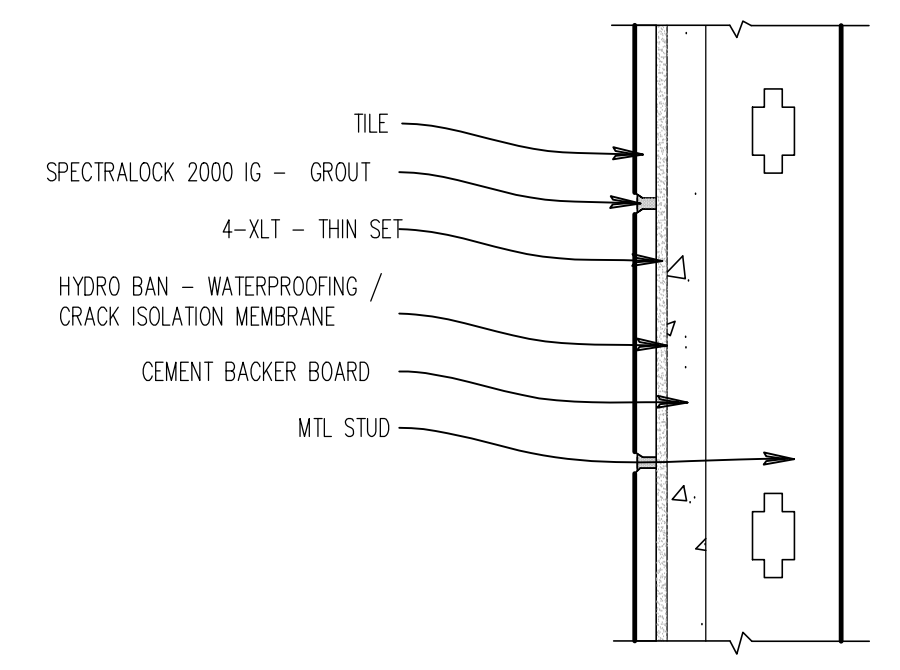
**09 TRIM DETAIL**  
SCALE: 1/2' = 1'-0'

THIS DETAIL IS BASED ON LATICRETE DETAIL W244C-12 MR-2 / GR-2 / WM-1



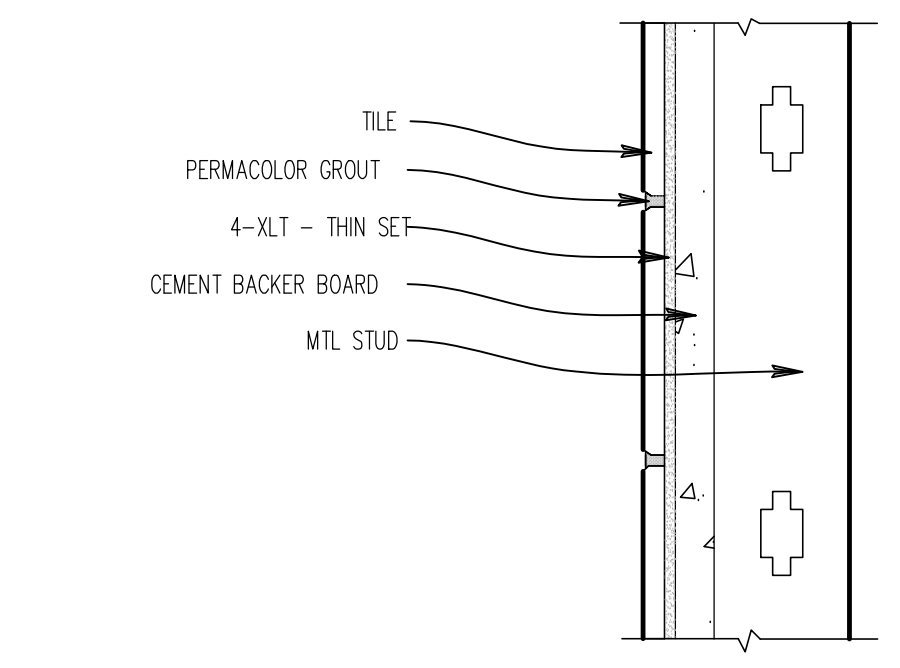
**14 KITCHEN AREA WALL GROUT**  
SCALE: 6' = 1'-0'

THIS DETAIL IS BASED ON LATICRETE DETAIL W244C-12 MR-1 / GR-2 / WM-1



**13 RESTROOMS WALL GROUT**  
SCALE: 6' = 1'-0'

THIS DETAIL IS BASED ON LATICRETE DETAIL W244C-12 MR-1 / GR-1



**12 DINING AREA WALL GROUT**  
SCALE: 6' = 1'-0'

A5.2022\_1.53.DWG, C:\Users\paw\OneDrive - Linear Architecture\Desktop\Wendys\21-120 Starboard\_S04\_00495\_Tampa, FL (1501 E. Hillsborough Ave) (R)Wendys - Starboard\Construction Documents\A5.2 - Interior Finish Details.dwg, I:\paw