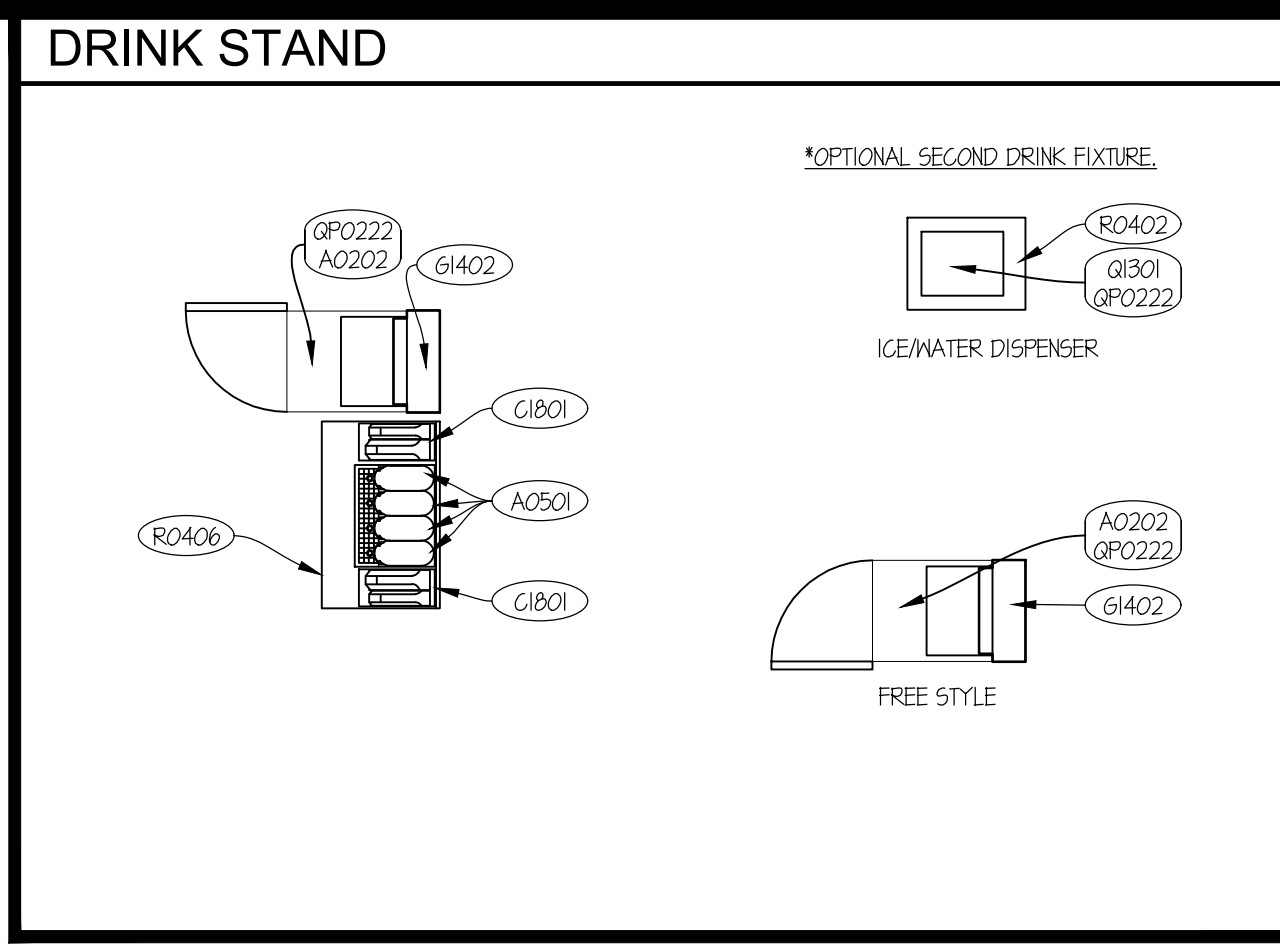


12/29/2021, 3:31 PM, C:\Users\moffatt\OneDrive - Philip Kemery, Architect, Inc\My Computer\Starboard - Public\Wendys\21-123 Starboard 472-08558-Cape Canaveral, FL (Refresh) Construction Documents\03\_EQ1 - Equipment Plan.dwg, moffatt



### SYMBOL LEGEND

SYMBOL	DESCRIPTION
X###	EQUIPMENT TAGS
###	EQUIPMENT TAGS
XX-##	ARTPACK AND WAYFINDING TAGS

### ARTPACK & WAYFINDING LEGEND

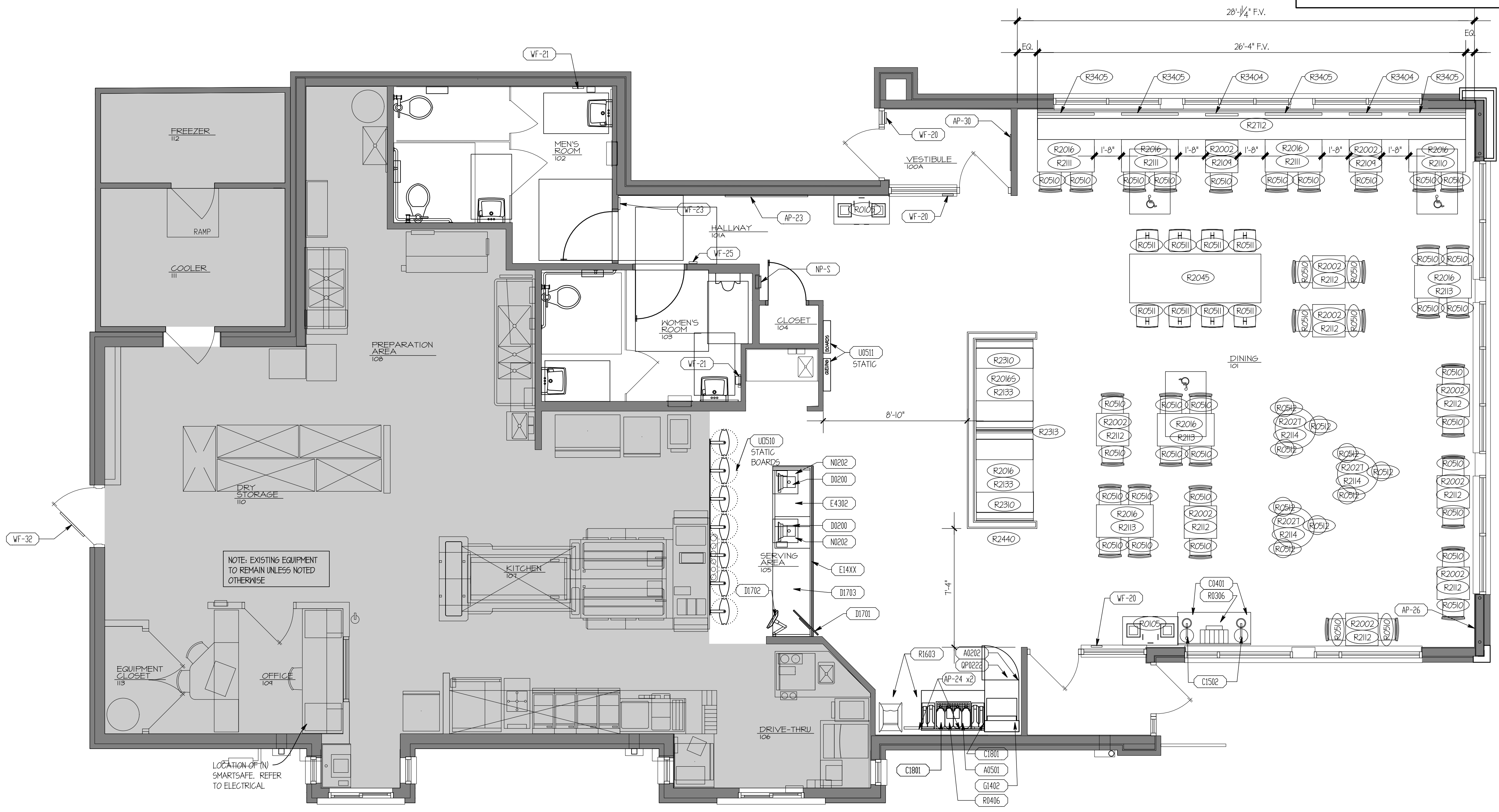
MARK	DESCRIPTION
AP-23	WENDY'S LOCAL LOVE (CUSTOM STATE AND STAR LOCATOR)
AP-24	WINK WALL FRAMED GRAPHIC
AP-25	INTERIOR READER BOARD
AP-26	CAUSE PAINTING AND PLAQUE (3 VERSIONS)
AP-30	WELCOME WALL ART
NP-S	NUTRITION POSTER
WF-20	TACTILE EXIT SIGN
WF-21	HAND WASHING SIGN
WF-22	FAMILY RESTROOM SIGN
WF-22A	FAMILY RESTROOM SIGN ACCESSIBLE
WF-23	MEN'S ROOM SIGN
WF-23A	MEN'S ROOM SIGN ACCESSIBLE
WF-25	WOMEN'S ROOM SIGN
WF-25A	WOMEN'S ROOM SIGN ACCESSIBLE
WF-27	WOMEN'S ROOM SIGN
WF-27A	WOMEN'S ROOM SIGN ACCESSIBLE
WF-31	EMPLOYEE ONLY
WF-32	NOT AN ENTRANCE

REFER TO RESPONSIBILITY SCHEDULE FOR ARTPACK INFORMATION

### GENERAL NOTES

- G.C. SHALL COORDINATE REQUIREMENTS OF MILLWORK, SPECIALTIES, EQUIPMENT, AND FURNISHINGS WITH OWNER PRIOR TO START OF WORK.
- ELECTRICAL & PLUMBING REQUIREMENTS FOR THE INSTALLATION OF MILLWORK, SPECIALTIES, EQUIPMENT, AND FURNISHINGS IS THE RESPONSIBILITY OF THE G.C.
- EQUIPMENT LISTED IS TO BE FURNISHED BY THE KITCHEN EQUIPMENT DISTRIBUTOR UNLESS NOTED OTHERWISE.
- KITCHEN EQUIPMENT DISTRIBUTOR PROVIDES LABOR FOR UNCRATING, ASSEMBLY AND SETTING OF EQUIPMENT.
- KITCHEN EQUIPMENT DISTRIBUTOR WILL SUPPLY CRITICAL DIMENSIONS, PLUMBING AND ELECTRICAL SPECIFICATIONS FOR EQUIPMENT SUPPLIED BY THE KITCHEN EQUIPMENT SUPPLIER.
- ELECTRICAL AND PLUMBING CONTRACTOR TO MAKE FINAL CONNECTION TO EQUIPMENT.
- SEE INTERIOR ELEVATIONS FOR ARTPACK GRAPHIC LOCATIONS.
- SIGNAGE TO BE SUBMITTED UNDER SEPARATE PERMIT.
- THE GENERAL CONTRACTOR SHALL PROVIDE A CONTINGENCY BID FOR WORK IN THE BACK OF HOUSE KITCHEN AREA BEYOND THE SCOPE OF THIS REMODEL SHOWN ON THESE DOCUMENTS. COORDINATE ANY/ALL WORK BID, PROPOSED, OR REQUIRED WITH THE OWNER'S CONSTRUCTION REPRESENTATIVE PRIOR TO PURCHASING OR BEGINNING ANY WORK BEYOND THE LIMITED SCOPE SHOWN ON THESE CONSTRUCTION DOCUMENTS.
- THE CONTRACTOR SHALL PROVIDE AND INSTALL SOLID HOOD BLOCKING FOR ALL WALL MOUNTED ITEMS SIGNAGE, EQUIPMENT, MILLWORK, ETC. COORDINATE LOCATIONS WITH OWNER'S CONSTRUCTION REPRESENTATIVE AS NECESSARY.
- EXISTING EQUIPMENT TO REMAIN UNLESS NOTED OTHERWISE.

**ATTENTION ALL BIDDERS**  
 REFER TO WENDY'S APPROVED CONSOLIDATOR - HJC TO OBTAIN PREFERRED BUILDING MATERIAL PRICING, NATIONAL ACCOUNT CONTACTS AND PHONE NUMBERS PROVIDED FOR REFERENCE.



### EQUIPMENT SCHEDULE

MARK	QTY.	DESCRIPTION OF EQUIPMENT	REMARKS	FURNISHED BY	INSTALLED BY
A0105		BEVERAGE SYSTEM, PUW - FREESTYLE		KED	KED
A0202		BEVERAGE SYSTEM SELF-SERVE DINING ROOM (FREESTYLE)	EXTERIOR COLOR: SILVER (FOR FREESTYLE)	0	0
A0501		ICED TEA DISPENSER-NARROW OVAL		KED	KED
A0502		ICED TEA DISPENSER-ROUNDED FRONT (3 GALLON)		KED	KED
C0401		NAPKIN DISPENSER		KED	KED
C1502		KETCHUP PUMP		KED	KED
C1801		LID/STRAW DISPENSER		KED	KED
D0200		POS TERMINAL		0	0
D1701		COPS SCREEN			
D1702		RUNNER SCREEN			
D1703		CEILING MOUNTED PREMIUM BEVERAGE DISPLAY			
D3002		KIOSK (UM)		0	0
E14XX		FRONT COUNTER		KED	KED
E4302		BAKERY CASE		KED	KED
G1402		CHASE @ FREESTYLE		KED	KED
N0202		CASH DROP BOX		KED	KED
OP0222		ICE MACHINE - DINING ROOM W/ REMOTE CONDENSING UNIT - DINING ROOM (ROOF)	# KITCHEN EQUIPMENT SUPPLIER TO VERIFY ACTUAL EQUIPMENT MODEL. FINISH TO BE USED *QUANTITY WILL VARY DEPENDING ON EXACT BEVERAGE SYSTEM CONFIGURATION	KED	KED
R0105		TRASH RECEPTACLE (2 BIN ENCLOSURE)		KED	KED
R0106		TRASH RECEPTACLE (3-STREAM - CANADA)		KED	KED
R0302		CONDIMENT STAND (W DRAIN)		KED	KED
R0510		CHAIR - STANDARD HEIGHT		KED	KED
R0511		CHAIR - BAR HEIGHT		KED	KED
R0512		STOOL: 24" HIGH		KED	KED
R1603		HIGH CHAIRS		KED	KED
R1705		BOOSTER CHAIR		KED	KED
R2002		TABLE TOP: 24" X 24"		KED	KED
R2016		TABLE TOP: 24" X 42"		KED	KED
R2016S		TABLE TOP: 24" X 42" - STENCIL		KED	KED
R2027		TABLE TOP: 30" DIAMETER		KED	KED
R2043		FAMILY TABLE TOP: 30" X 66" (6 SEAT)		KED	KED
R2044		FAMILY TABLE TOP: 24" X 62" (6 SEAT)		KED	KED
R2045		COMMUNITY W-TABLE (FREESTANDING; 8 SEAT; 96" LONG)		KED	KED
R2046		COMMUNITY W-TABLE (CANTILEVERED; 8 SEAT; 96" LONG)		KED	KED
R2047		COMMUNITY W-TABLE (FREESTANDING; 10 SEAT; 120" LONG)		KED	KED
R2048		COMMUNITY W-TABLE (CANTILEVERED; 10 SEAT; 120" LONG)		KED	KED
R2109		TABLE BASE: 2-TOP - FIXED		KED	KED
R2110		TABLE BASE: 4-TOP - FIXED		KED	KED
R2111		TABLE BASE: 4-TOP ACCESSIBLE - FIXED		KED	KED
R2112		TABLE BASE: 22" X-BASE - FREE STANDING		KED	KED
R2113		TABLE BASE: 22" T-BASE (ACCESSIBLE) - FREE STANDING	2 BASES REQUIRED PER TABLE	KED	KED
R2114		TABLE BASE: 22" X-BASE (COUNTER HGT 34" - FREE STANDING)		KED	KED
R2133		CANTILEVER TABLE BRACKET (4-TOP)		KED	KED
R2310		42" SINGLE BOOTH - STANDARD (WOOD)		KED	KED
R2313		42" DOUBLE BOOTH - STANDARD (WOOD)		KED	KED
R2439		LOW WALL AT "W" TABLE		KED	KED
R2440		U WALL AT BOOTHS		KED	KED
R2702		BENCH 15'-10"		KED	KED
R2712		BENCH 26'-4"		KED	KED
R2713		BENCH 24'-6"		KED	KED
R3310		KIOSK LEDGE (UM; 3 STATIONS) - 89"		0	0
R3404		SEAT CUSHION 24" WIDE		0	0
R3405		SEAT CUSHION 42" WIDE		0	0
U0510		BACKLIT STATIC MENU BOARDS	OWNER TO VERIFY ACTUAL EQUIPMENT MODEL TO BE USED	0	0
U0511		BACKLIT STATIC REVIEW BOARDS	OWNER TO VERIFY ACTUAL EQUIPMENT MODEL TO BE USED	0	0

0 = OWNER GC = GENERAL CONTRACTOR KED = KITCHEN EQUIPMENT DISTRIBUTOR

SITE NUMBER:	08558
BUILDING TYPE:	E2000
ASSET TYPE:	FREESTANDING
CLASSIFICATION:	REFRESH
OWNER:	STARBOARD
BASE VERSION:	2021 SPRING
UPGRADE CLASSIFICATION:	
PROJECT YEAR:	2022
DESIGN TYPE:	(2.0) UM BRIGHT
DRAWING RELEASE:	2021 SPRING

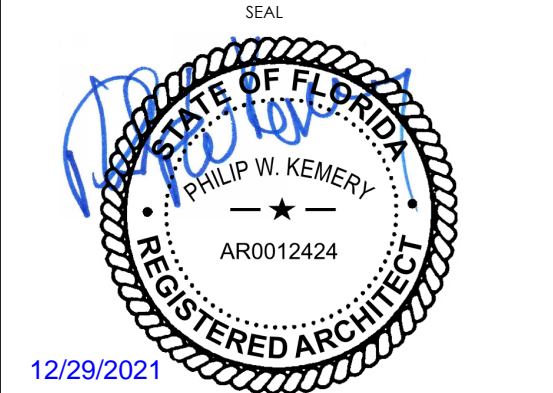
Linear Architecture LLC  
 Philip Kemery,  
 Architect  
 4436 Harvest Hill Rd.  
 Dallas, TX 75244  
 PHONE: 972.929.9226



**Wendy's**  
 #08558 (STARBOARD #472)  
 8440 ASTRONAUT BLVD.  
 CAPE CANAVERAL, FL

REV.	DATE	DESCRIPTION

ISSUE DATE: 12/28/2021  
 PROJECT NUMBER: 21-124  
 DRAWN BY:  
 CHECKED BY:



SHEET NAME  
**EQUIPMENT PLAN AND SCHEDULE**

SHEET NUMBER  
**EQ1.1**

**01** EQUIPMENT PLAN  
 SCALE: 1/4" = 1'-0"