

SITE NUMBER:	02011
BUILDING TYPE:	CG3480
ASSET TYPE:	FREESTANDING
CLASSIFICATION:	REFRESH
OWNER:	STARBOARD
BASE VERSION:	2021 SPRING
UPGRADE CLASSIFICATION:	N/A
PROJECT YEAR:	2022
DESIGN TYPE:	(2.0) UM BRIGHT
DRAWING RELEASE:	2021 SPRING

Linear Architecture LLC
Philip Kemery,
Architect
4436 Harvest Hill Rd.
Dallas, TX 75244
PHONE: 972.929.9226

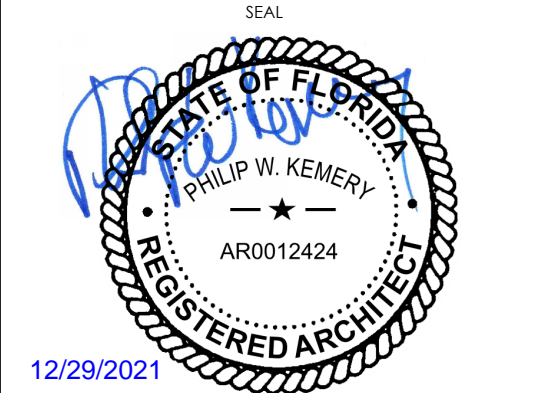


STARBOARD GROUP
12540 W. ATLANTIC BLVD.
CORAL SPRINGS, FL 33071
OFFICE: (954)255-2266

Wendy's
#02011 (STARBOARD #402)
1197 SOUTH MILITARY TRAIL
DEERFIELD BEACH, FL 33442

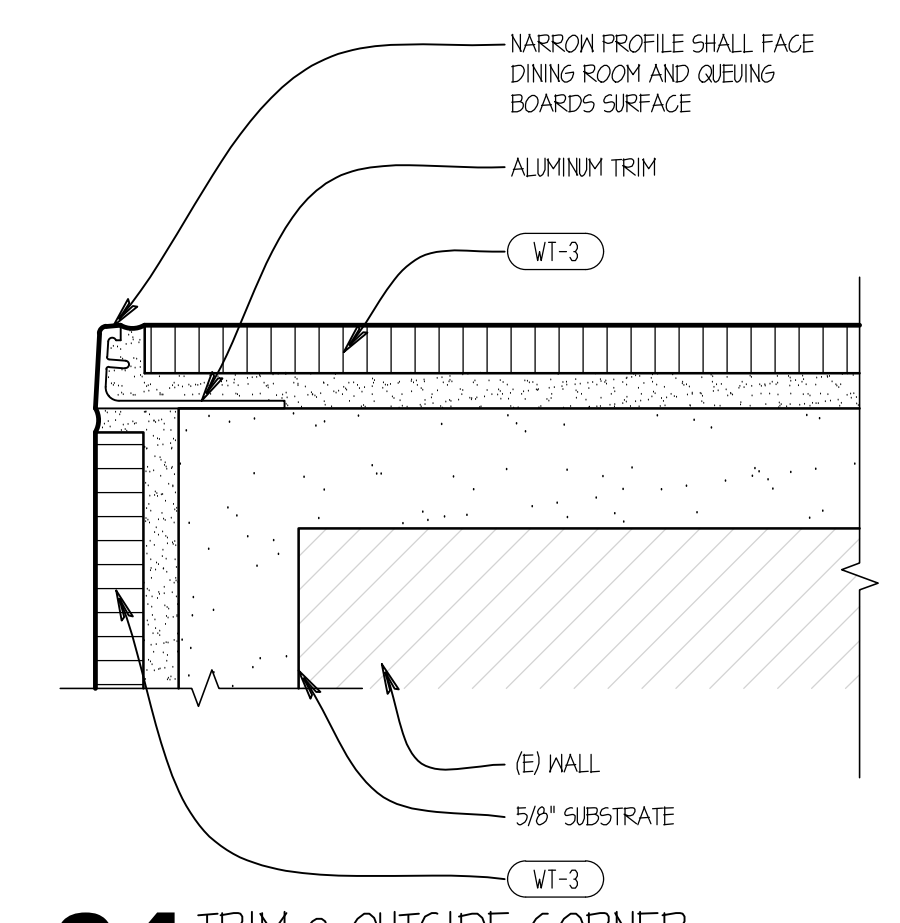
REV.	DATE	DESCRIPTION

ISSUE DATE: 11/02/2021
PROJECT NUMBER: 21-000
DRAWN BY:
CHECKED BY:

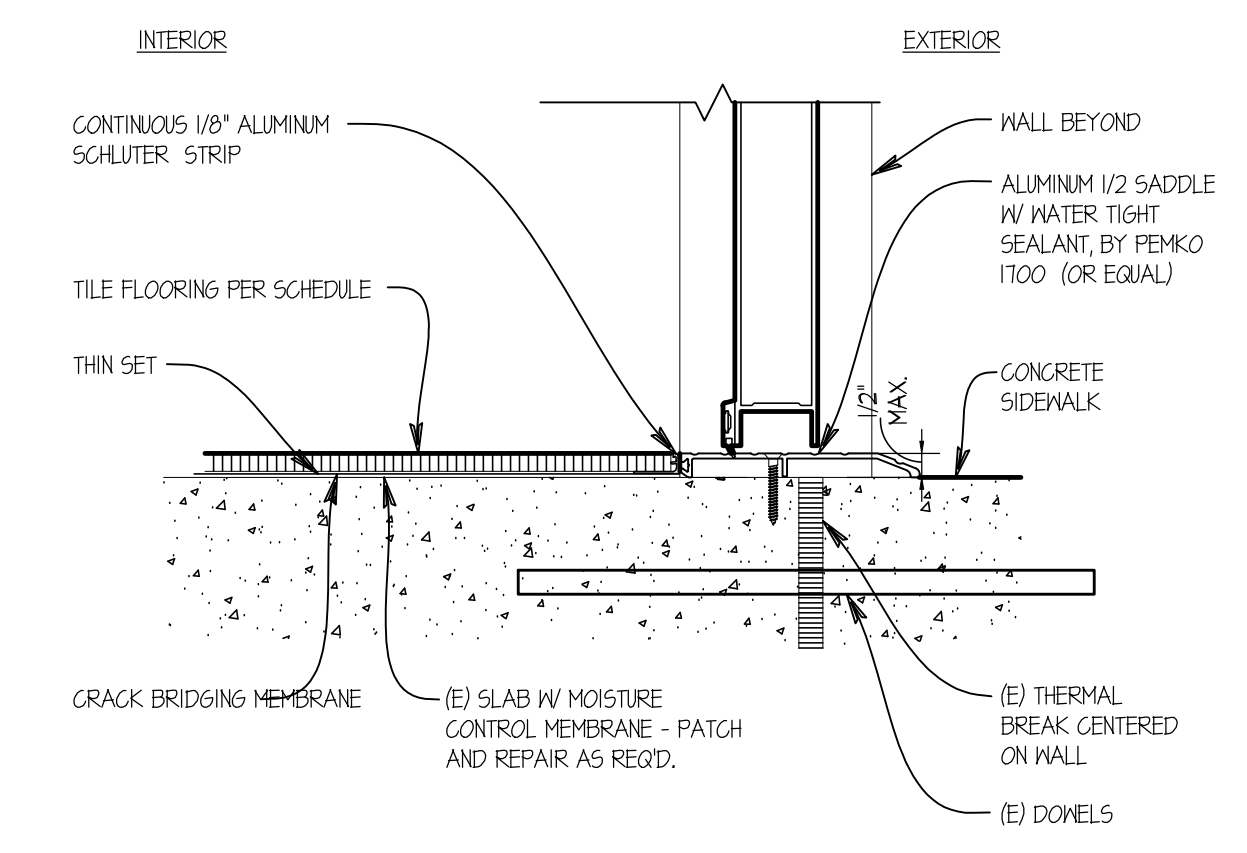


SHEET NAME
INTERIOR FINISH DETAILS
SHEET NUMBER

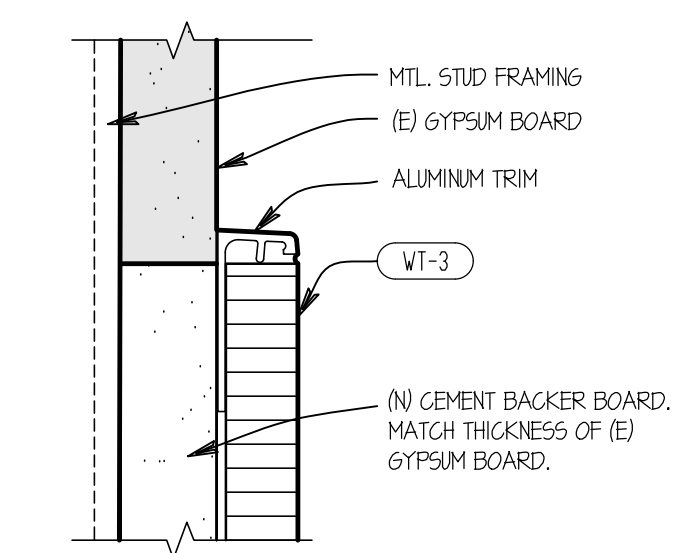
A5.2



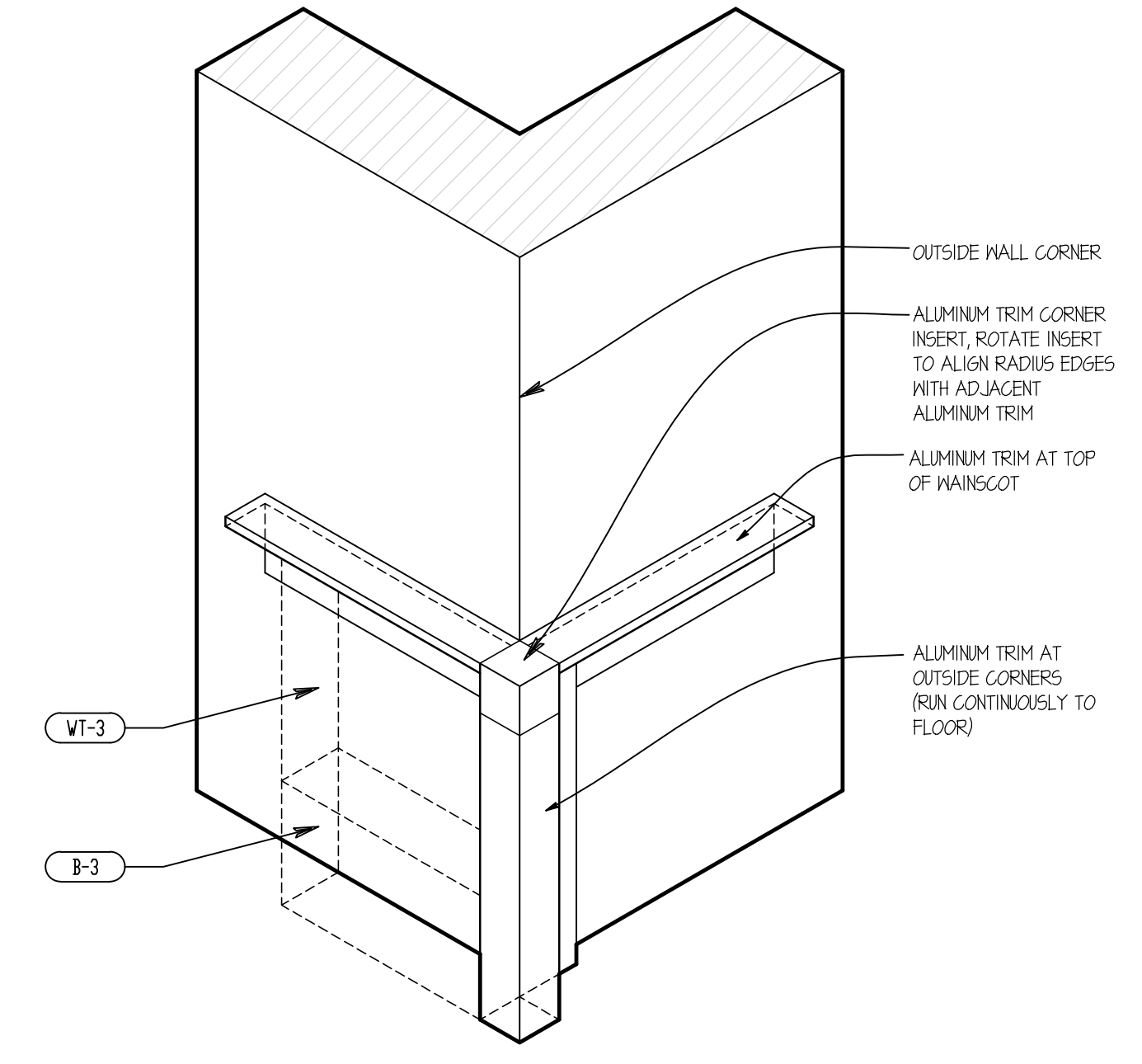
04 TRIM @ OUTSIDE CORNER
SCALE: 1' = 1'-0"



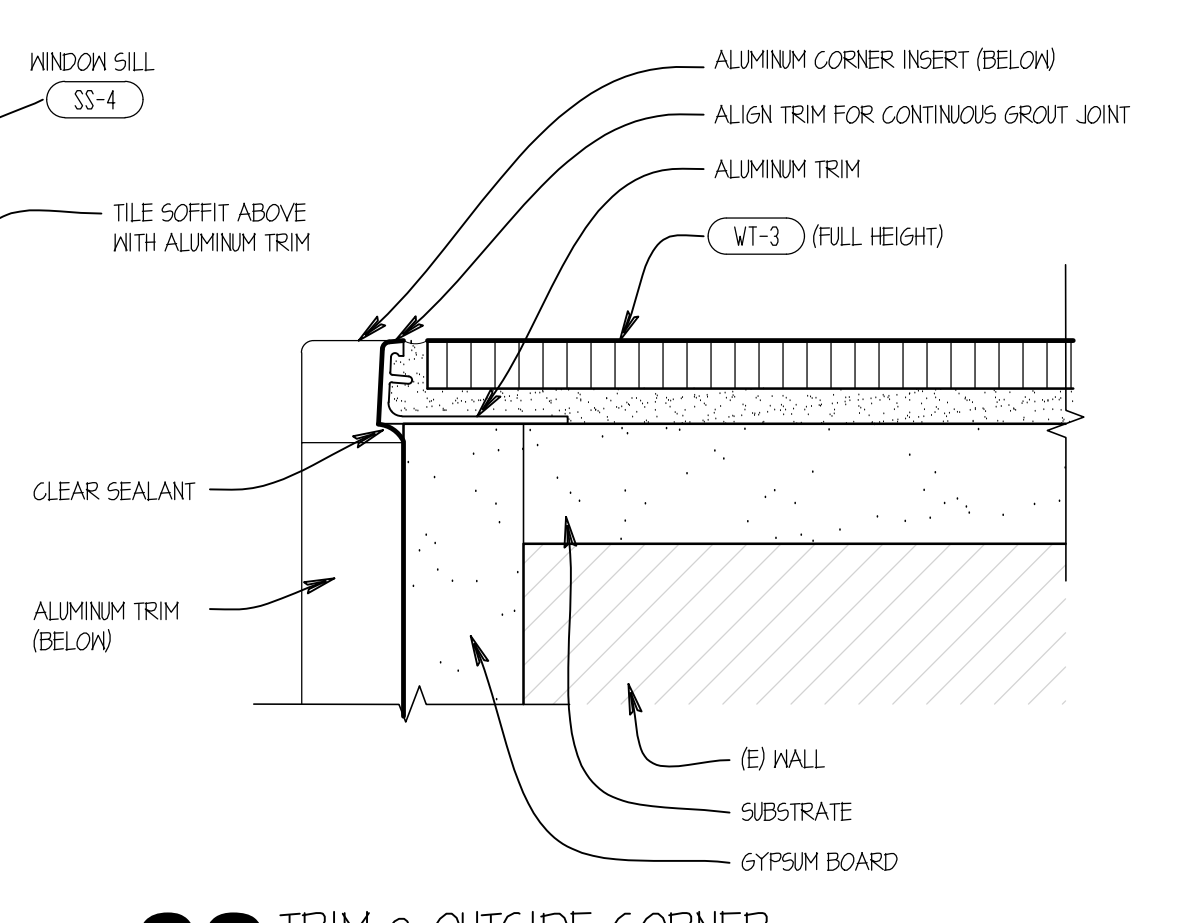
03 TILE AT EXTERIOR THRESHOLD
SCALE: 3\"/>



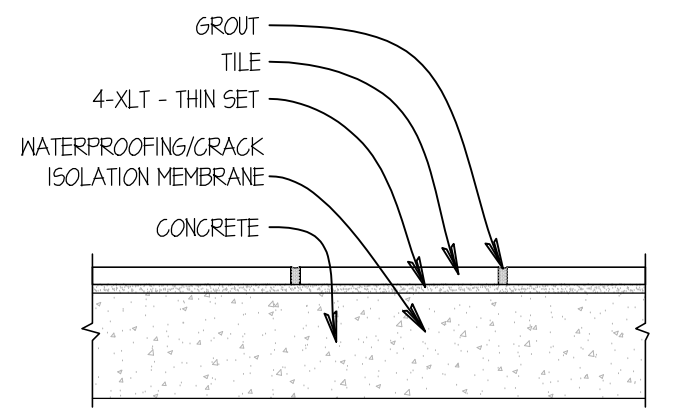
02 TILE TRANSITION
SCALE: 1' = 1'-0"



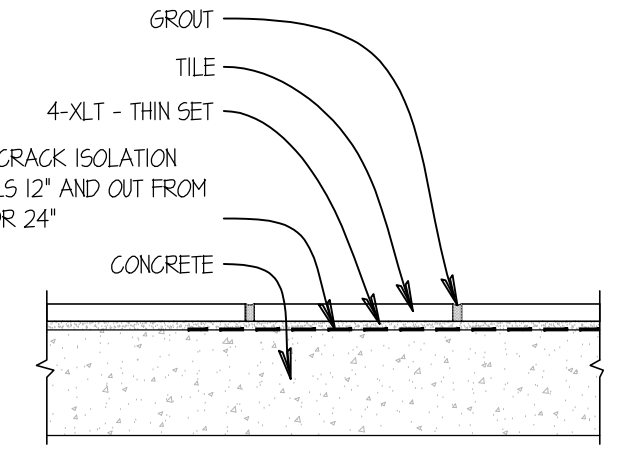
01 OUTSIDE CORNER AXON
NTS



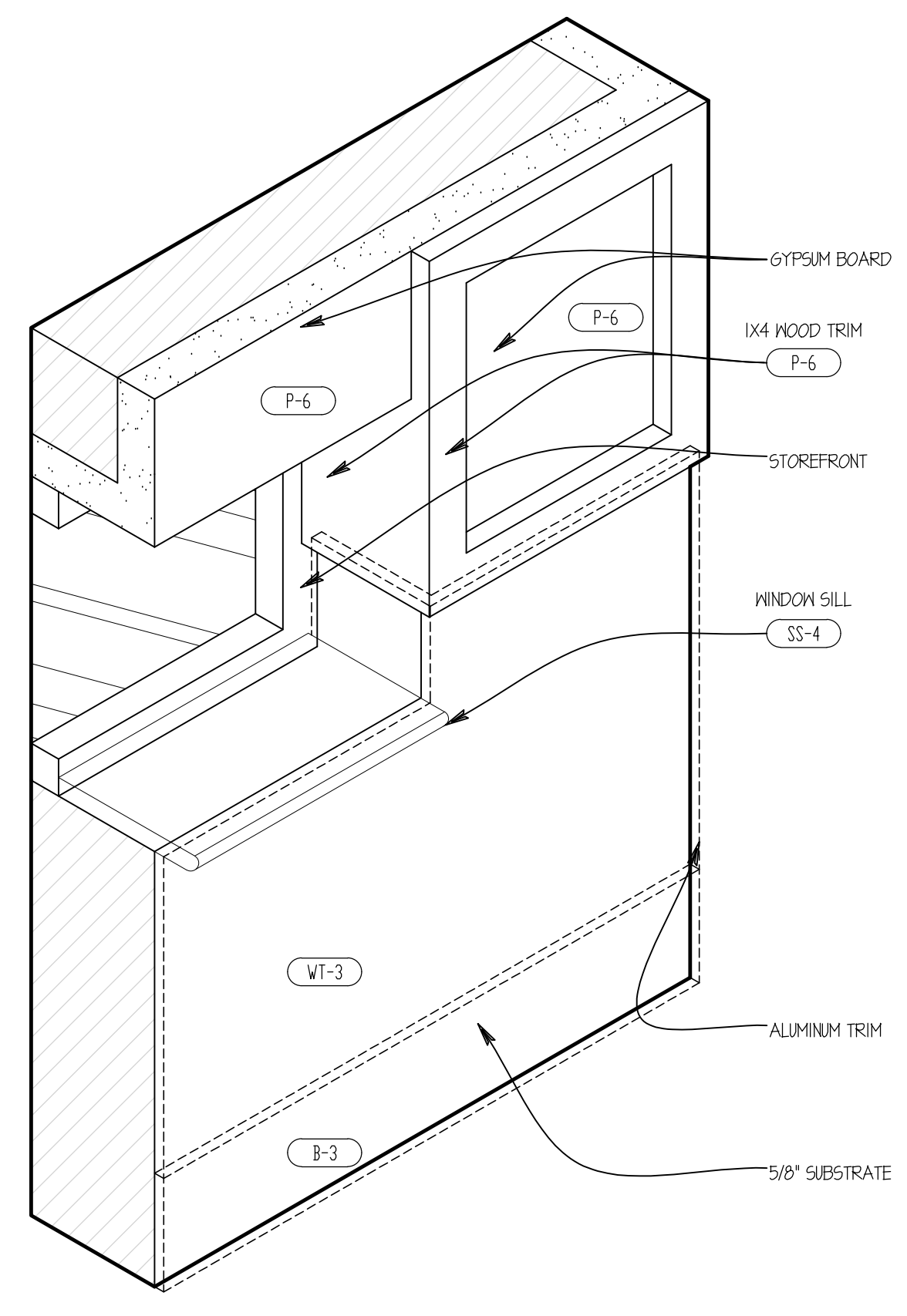
08 TRIM @ OUTSIDE CORNER
SCALE: 1' = 1'-0"



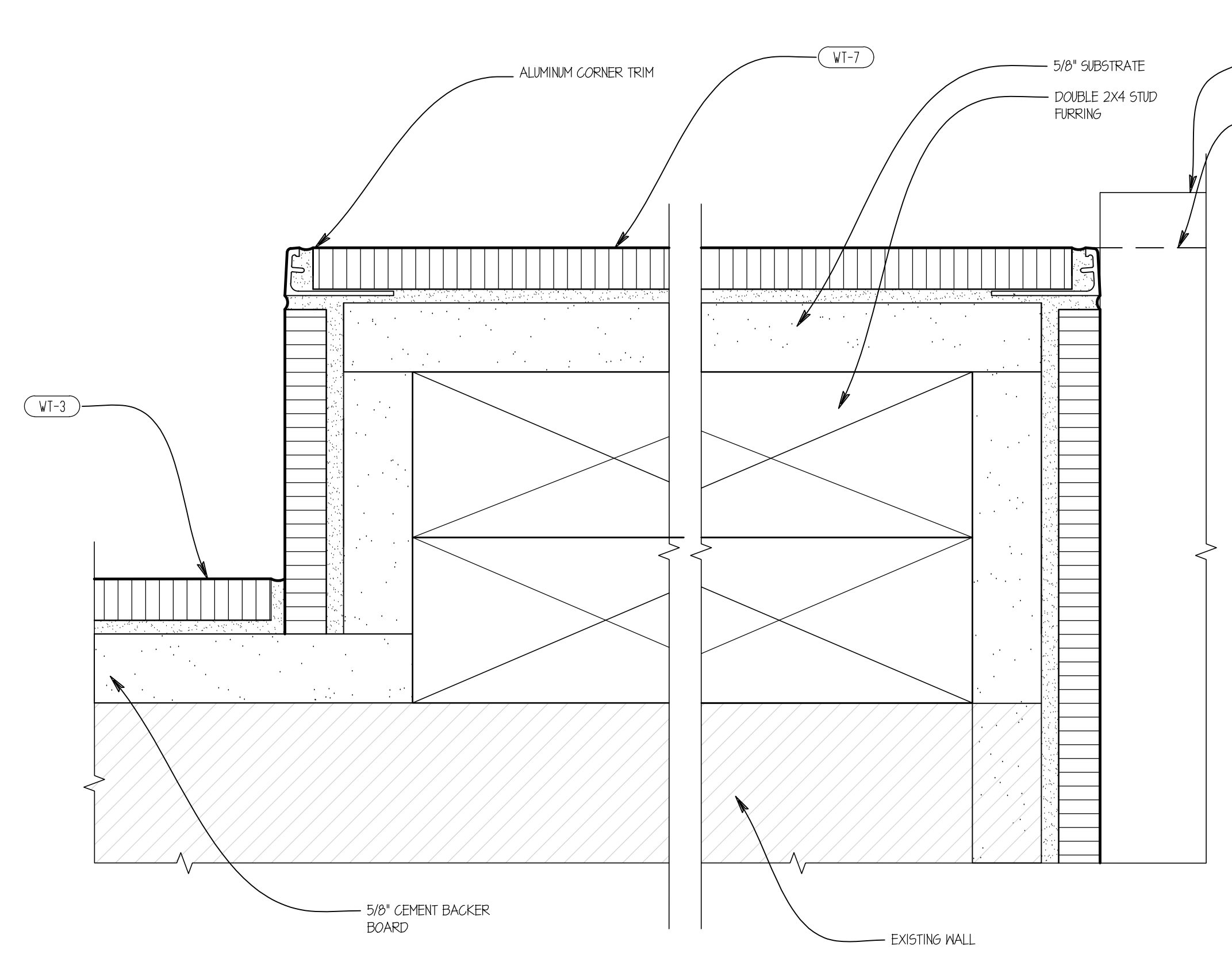
07 DINING AREA FLOOR GROUT
SCALE: 6\"/>



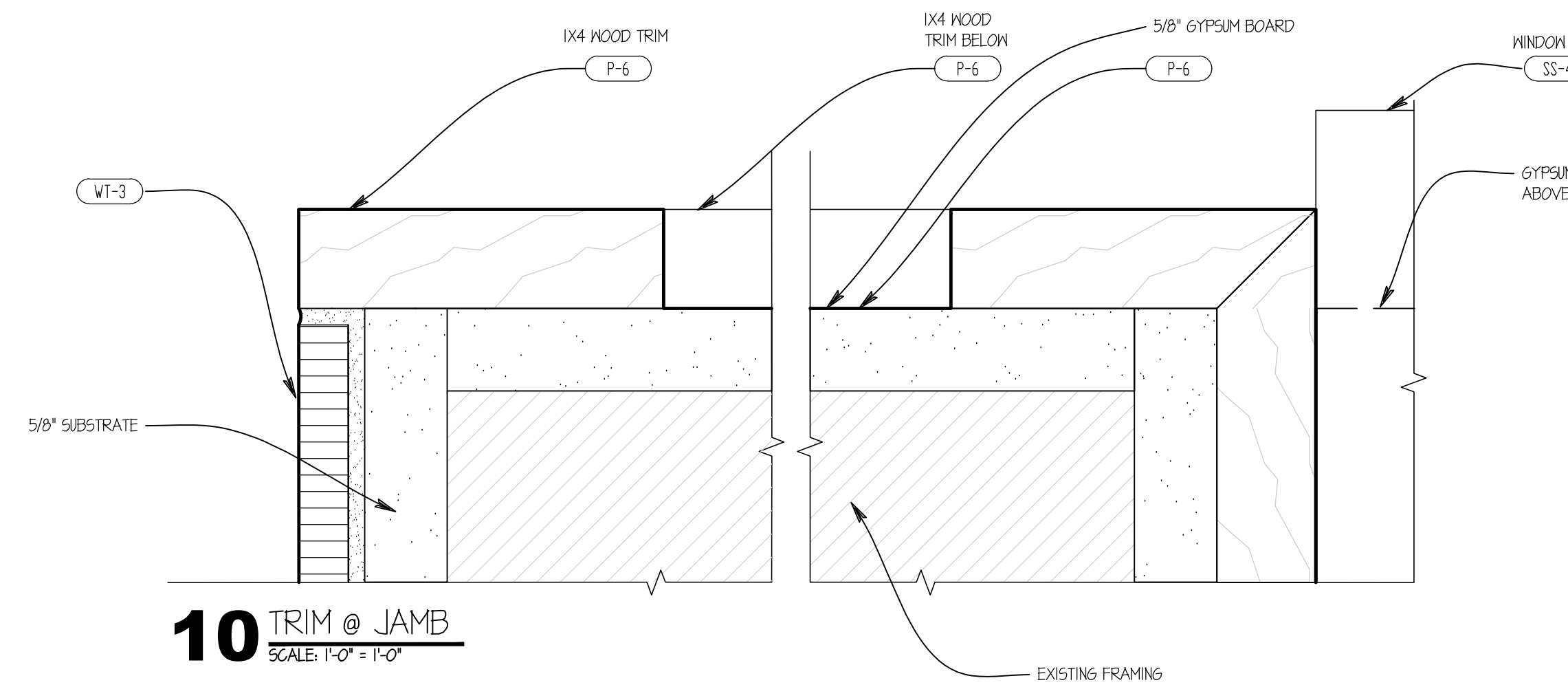
06 RESTROOMS FLOOR GROUT
SCALE: 6\"/>



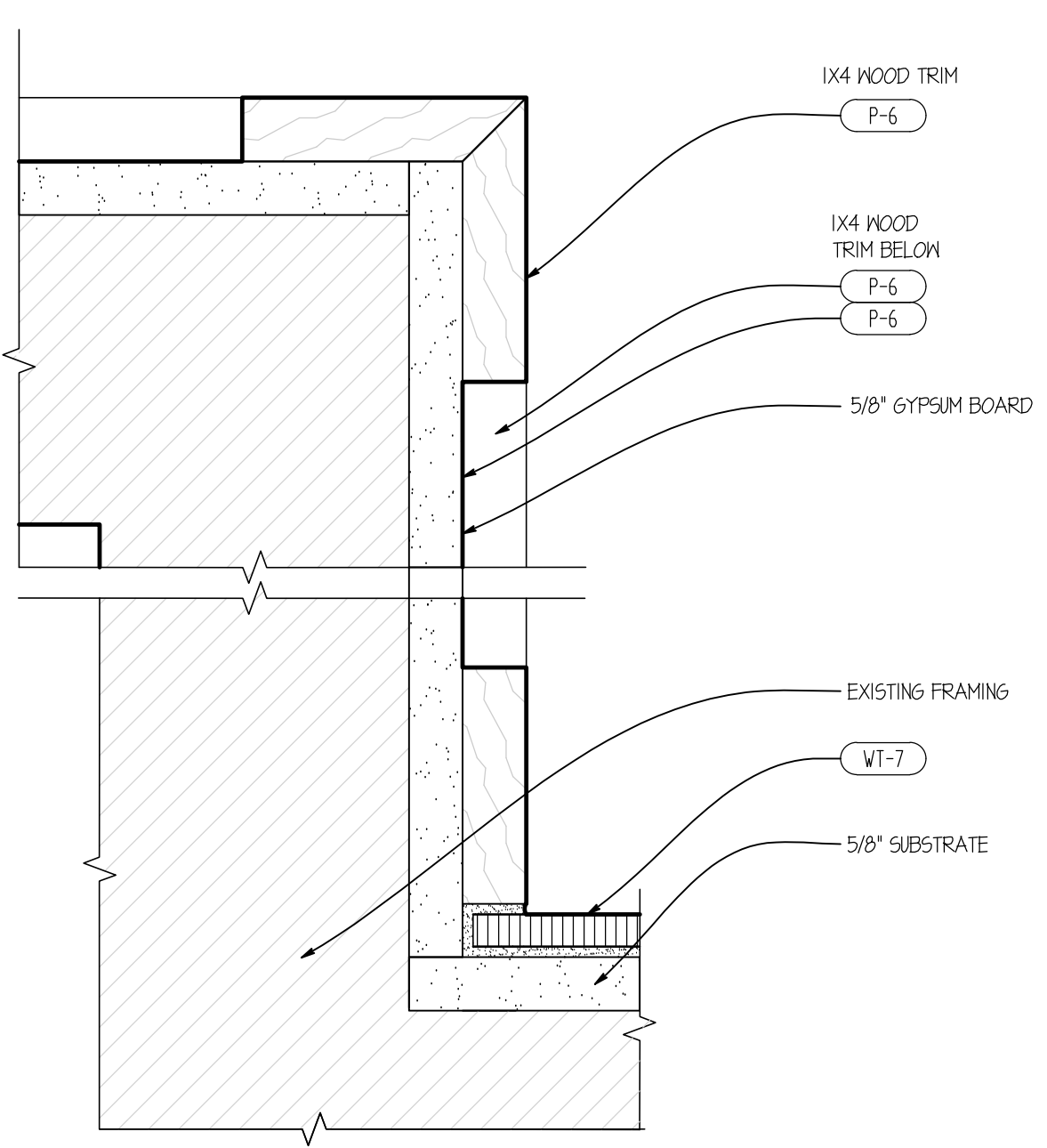
05 JAMB AXON
NTS



11 TRIM @ JAMB
SCALE: 1' = 1'-0"

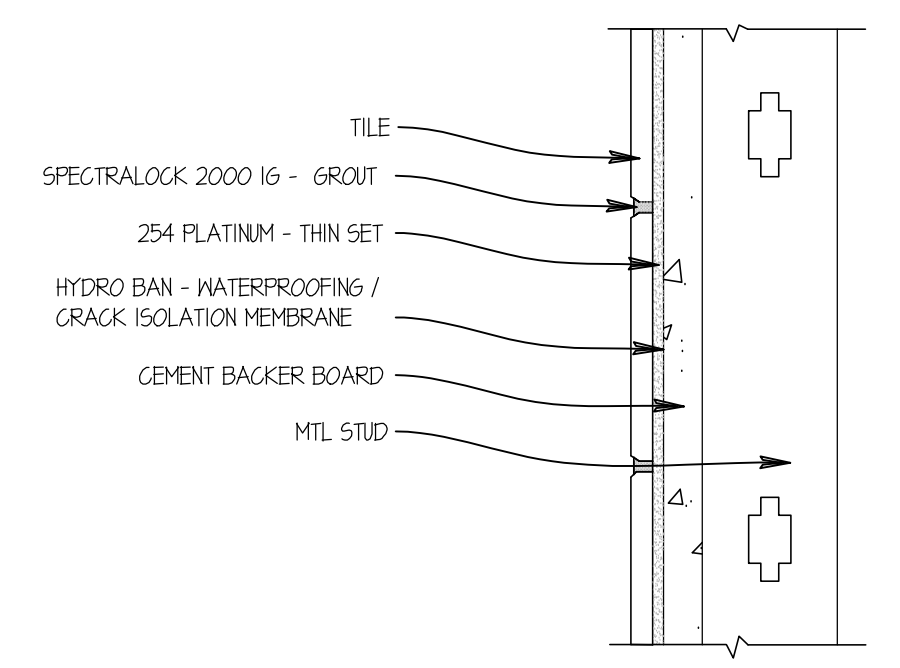


10 TRIM @ JAMB
SCALE: 1' = 1'-0"



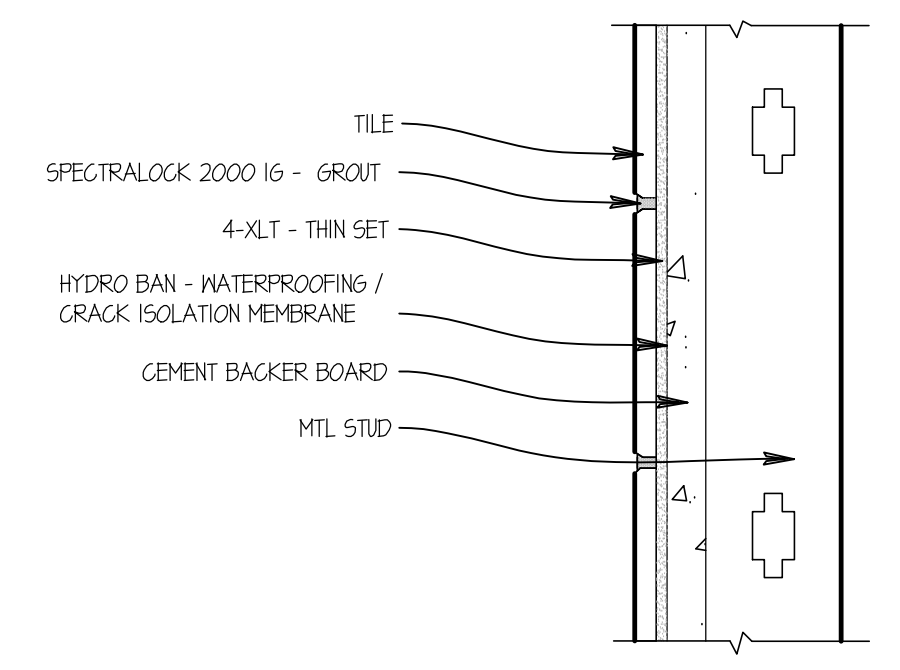
09 TRIM DETAIL
SCALE: 1/2\"/>

THIS DETAIL IS BASED ON LATICRETE DETAIL W244C-12 MR-2 / GR-2 / NM-1



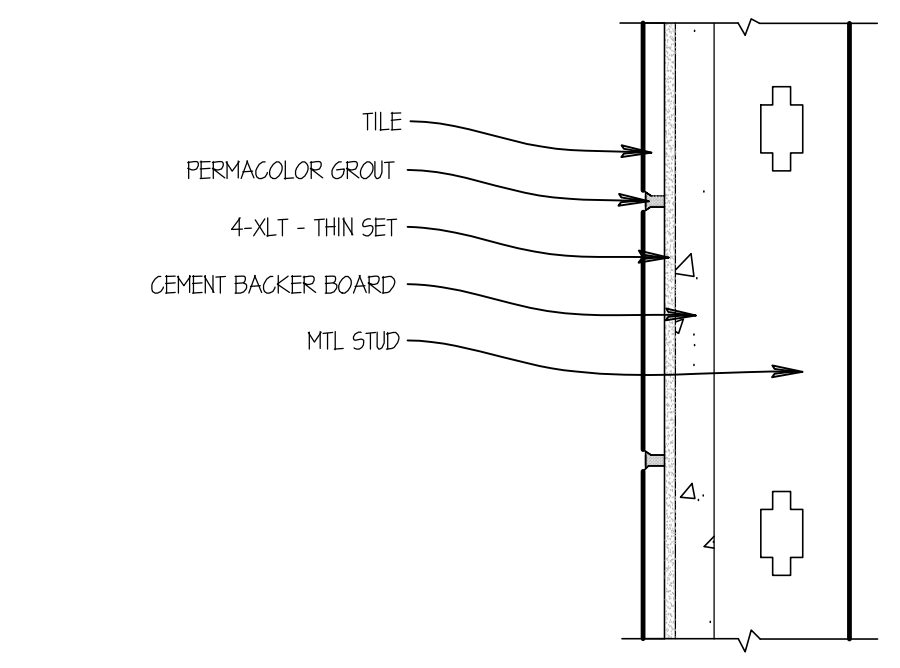
14 KITCHEN AREA WALL GROUT
SCALE: 6\"/>

THIS DETAIL IS BASED ON LATICRETE DETAIL W244C-12 MR-1 / GR-2 / NM-1



13 RESTROOMS WALL GROUT
SCALE: 6\"/>

THIS DETAIL IS BASED ON LATICRETE DETAIL W244C-12 MR-1 / GR-1



12 DINING AREA WALL GROUT
SCALE: 6\"/>

12/21/2021 2:48 PM C:\Users\moffitt\OneDrive - Philip Kemery\OneDrive - Philip Kemery\Architectural\Architectural\Interior\Finish\Details\A5.2 - Interior Finish Details.dwg moffitt