



Burger King

Grayson, KY

FCC COMMERCIAL FURNITURE INC | APPROVED SEATING & DECOR PROVIDER

GENERAL NOTES: CONTRACTOR / INSTALLER

GENERAL CONSTRUCTION NOTES:

ALL WORK, CONSTRUCTION, FURNITURE AND MATERIALS SHALL COMPLY WITH ALL PROVISIONS OF LOCAL BUILDING CODES AND WITH OTHER RULES, REGULATIONS AND ORDINANCES GOVERNING THE LOCATION OF CONSTRUCTION.

FCC COMMERCIAL FURNITURE CONTRACT DOCUMENTS STRIVE TO CONFORM TO THE INTERNATIONAL BUILDING CODE. FCC COMMERCIAL FURNITURE IS NOT LICENSED TO PROVIDE SIGNED/SEALED DRAWINGS. FCC COMMERCIAL FURNITURE COOPERATES WITH OWNER/CLIENT'S LICENSED PROFESSIONALS TO PROVIDE DRAWINGS AND SPECIFICATIONS THAT MEET LOCAL BUILDING CODES.

FCC COMMERCIAL FURNITURE CONTRACT DOCUMENTS STRIVE TO CONFORM TO THE TITLE III OF THE AMERICANS WITH DISABILITY ACT (ADA). FCC COMMERCIAL FURNITURE IS NOT LICENSED TO PROVIDE SIGNED/SEALED DRAWINGS. FCC COMMERCIAL FURNITURE COOPERATES WITH OWNER/CLIENT'S LICENSED PROFESSIONALS TO PROVIDE DRAWINGS AND SPECIFICATIONS THAT ARE IN COMPLIANCE WITH ADA. FCC CANNOT BE RESPONSIBLE FOR CONSTRUCTION DEVIATIONS BY OTHERS FROM THE DESIGN THAT MAY BE OUT OF COMPLIANCE.

IT IS THE RESPONSIBILITY OF ALL PARTIES SUPPLYING LABOR, MATERIAL, OR BOTH TO BRING TO THE ATTENTION OF FCC'S CUSTOMER SERVICE MANAGER, THE PROJECT ARCHITECT, AND THE OWNER ANY DISCREPANCIES OR CONFLICT BETWEEN THE CODE REQUIREMENT AND THESE DESIGN INTENT DRAWINGS.

THE APPLICABLE CODES SHOULD INCLUDE, BUT SHALL NOT BE LIMITED TO THE INTERNATIONAL BUILDING CODE, BOCA NATIONAL BUILDING CODE, UNIFORM PLUMBING CODE, UNIFORM ELECTRICAL CODE, UNIFORM MECHANICAL CODE AND THE UNIFORM FIRE CODE.

GENERAL CONTRACTOR SHALL BE RESPONSIBLE FOR PROVIDING ALL WORK IN ACCORDANCE WITH ALL LOCAL AND CITY BUILDING CODES/ ORDINANCES.

GENERAL CONTRACTOR SHALL BE RESPONSIBLE FOR ADHERING TO ALL AMERICANS WITH DISABILITIES ACT GUIDELINES, INCLUDING BUT NOT LIMITED TO TABLE TOP/BASE INSTALLATIONS, AISLE WAY CLEARANCES, AND QUEUE LINE AREA CLEARANCES.

GENERAL CONTRACTOR SHALL BE RESPONSIBLE FOR OBTAINING ALL REQUIRED BUILDING CONSTRUCTION AND INSTALLATION PERMITS.

GENERAL CONTRACTOR SHALL BE RESPONSIBLE FOR COPYING AND DISTRIBUTING ALL FCC COMMERCIAL FURNITURE INC'S PLANS AND DOCUMENTS TO ALL SUBCONTRACTORS INVOLVED.

FCC PROVIDED DIMENSIONS ARE INDICATED FROM INSIDE WALL FACES.

ALL SEATING, FINISH, AND DECOR ITEMS INDICATED AS BEING SUPPLIED AND OR INSTALLED BY GENERAL CONTRACTOR ARE THE RESPONSIBILITY OF THE OWNER. THE OWNER'S RESPONSIBILITIES INCLUDE ALL CONTRACTS WITH THE GENERAL AND SUB-CONTRACTORS AND THEIR COMPLIANCE WITH THESE DOCUMENTS AND SPECIFICATIONS.

THESE DRAWINGS AND DOCUMENTS REPRESENT THE DESIGN INTENT AND CONCEPTS FOR THIS PROJECT. THE DRAWINGS AND DOCUMENTS MUST BE SIGNED AND APPROVED BY OWNER.

STANDARD STORES PROJECTS:

THESE DRAWINGS, SCHEDULES, AND SPECIFICATIONS, AS WELL AS, OTHER SEGMENTS OF SERVICES ARE AND SHALL REMAIN THE PROPERTY OF FCC COMMERCIAL FURNITURE WHETHER OR NOT THE PROJECT THESE DOCUMENTS WERE PREPARED FOR IS COMPLETED OR EXECUTED. IF THE OWNER/CLIENT HAS COMPENSATED FCC COMMERCIAL FURNITURE UNDER SIGNED CONTRACT, THE OWNER IS PERMITTED TO RETAIN COPIES OF THE DRAWINGS, SCHEDULES AND SPECIFICATIONS. FCC COMMERCIAL FURNITURE IS NOT RESPONSIBLE FOR ANY LOSS, COSTS OR DAMAGES RELATING TO USE OR APPLICATION. THE OWNER/CLIENT MAY NOT USE THE DRAWINGS, SCHEDULES, SPECIFICATIONS PROVIDED HEREIN FOR ANY PROJECT OTHER THAN THE ORIGINAL PROJECT. FCC COMMERCIAL FURNITURE IS THE OWNER OF THE INTELLECTUAL PROPERTY PROVIDED AND RETAINS ALL STATUTORY AND COMMON LAW COPYRIGHTS. IF OWNER/CLIENT AND FCC COMMERCIAL FURNITURE TERMINATE THIS CONTRACT FOR DESIGN SERVICES, THE OWNER/CLIENT SHALL NO LONGER HAVE THE RIGHTS TO THE DRAWINGS, SCHEDULES, AND SPECIFICATIONS. THE OWNER/CLIENT MAY NOT PERMIT ANY THIRD PARTY TO USE SUCH DRAWINGS, SCHEDULES, AND SPECIFICATIONS FOR DESIGN SERVICES FOR FUTURE ADDITIONS OR ALTERATIONS TO THE PROJECT. THE DESIGN DEPICTED WITHIN THE CONTENTS OF THESE DRAWINGS MAY NOT BE USED BY THE OWNER TO SHOP FOR OTHER SEATING AND DECOR MANUFACTURES TO FULFILL THE INTENDED DESIGN. UNAUTHORIZED USE WILL RESULT IN PAYMENT FOR DESIGN SERVICES AT FCC COMMERCIAL FURNITURE'S STANDARD DESIGN RATE. ALL COMPUTER GENERATED IMAGERY, GRAPHICS, DRAWINGS AND ILLUSTRATIONS WITHIN THESE DOCUMENTS REMAIN THE PROPERTY OF FCC COMMERCIAL FURNITURE. ALL RIGHTS RESERVED.

THE OWNER/CLIENT AND GENERAL CONTRACTOR AGREE THAT FCC COMMERCIAL FURNITURE REPRESENTATIVES MAY VISIT THE SITE AT ANY POINT DURING CONSTRUCTION IN THE INTEREST OF COMPLETING FCC'S WORK.

THE OWNER/CLIENT'S GENERAL CONTRACTOR AGREES TO PROVIDE CONDITIONS CONDUCIVE TO COMPLETE INSTALLATION OF FCC'S WORK UPON DELIVERY OF SEATING AND DECOR ELEMENTS. THE GENERAL CONTRACTOR AGREES TO COOPERATE WITH FCC'S INSTALLATION CREWS IN THE INTEREST OF COMPLETION OF WORK. THE GENERAL CONTRACTOR WILL NOTIFY FCC IN A TIMELY MANNER, ANY PHYSICAL RESTRICTIONS THAT MAY IMPEDE THE COMPLETION OF THE SEATING AND DECOR PACKAGE.

WRITTEN DIMENSIONS SUPERSEDE SCALED MEASUREMENTS IN ALL CASES. DO NOT SCALE OFF OF PLANS. FOR ADDITIONAL DIMENSIONS CALL FCC'S CUSTOMER SERVICE MANAGER AT 800.322.7328.

FCC REQUIRES VERIFICATION OF FIELD DIMENSIONS FROM THE ARCHITECT / GENERAL CONTRACTOR FOR THE FABRICATION OF COMMERCIAL FURNITURE, DECOR, CORE DRILL AND SEATING SPACE PLANS. WHEN FIELD DIMENSIONS CANNOT BE ATTAINED, SHIPMENTS MAY BE SUBJECT TO TIME DELAYS. THE GENERAL CONTRACTOR SHALL VERIFY ALL DIMENSIONS AND CONDITIONS ON SITE AND NOTIFY FCC COMMERCIAL FURNITURE OF ALL DISCREPANCIES PRIOR TO COMMENCING DECOR DESIGN.

THE GENERAL CONTRACTOR WILL BE RESPONSIBLE FOR DISPOSAL OF ALL PACKAGING MATERIAL FROM SEATING AND DECOR PRODUCTS.

THE CREW ROOM AND VESTIBULE FINISHES TO BE THE SAME AS THE MAIN DINING ROOM, UNLESS OTHERWISE STATED BY THE OWNER OR NOTED ON PLANS AND IN THE SPECIFICATION BY FCC.

REBUILDS AND REMODEL PROJECTS:

CASE OF REBUILDING OR REMODELING PROJECTS, ALL EXISTING SEATING, DECOR, AND WALL FINISHES ARE TO BE PREPPED AND READY TO RECEIVE NEW FINISHES BY THE OWNER AND/OR GENERAL CONTRACTOR, UNLESS OTHERWISE NOTED. FLOOR AND BASE TILE MUST BE IN GOOD REPAIR BEFORE ANY CORE DRILLING IS ALLOWED. ALL DIMENSIONS ARE FROM EXISTING FINISHES, UNLESS OTHERWISE NOTED. MAKE APPROPRIATE ALLOWANCES FOR NEW FINISH WORK. CONTACT FCC'S CUSTOMER SERVICE MANAGERS FOR ANY CONFLICTS BETWEEN FCC'S DECOR AND ELECTRICAL OR HVAC EQUIPMENT.

GENERAL FLOORING NOTES:

ALL FLOOR, SCHLUTER STRIP, AND COVE BASE TILE TO BE PROVIDED BY AND INSTALLED BY GENERAL CONTRACTOR, UNLESS OTHERWISE NOTED. FCC IS NOT LIABLE FOR CORED STEEL THAT MAY BECOME UNSTABLE AS A RESULT OF DRILLING THROUGH A CONCRETE SLAB. NOTIFY FCC, ARCHITECT, AND GENERAL CONTRACTOR OF ANY SLAB LESS THAN FIVE (5") INCHES THICK. FCC IS NOT RESPONSIBLE FOR DAMAGE OF ANY MECHANICAL ELEMENTS LOCATED IN THE FINISHED FLOOR. COVE BASE AND/OR BULLNOSE TILE ON FCC DIVIDER WALLS TO BE SUPPLIED AND INSTALLED BY THE GENERAL CONTRACTOR UNLESS OTHERWISE NOTED. GENERAL CONTRACTOR IS RESPONSIBLE FOR SUPPLYING AND INSTALLING ALL BACK OF HOUSE TILE. REFER TO ARCHITECTURAL PLAN SET FOR FULL KITCHEN PLANS.

GENERAL ELECTRICAL/HVAC/CEILING NOTES:

FCC LIGHTING PLANS ARE GUIDELINES ONLY. FCC WILL NOT BE HELD LIABLE FOR ADDITIONAL COSTS DUE TO ADJUSTING LIGHTING QUANTITIES OR LOCATIONS, VARIATIONS WITH ARCHITECTURAL PLANS OR LOCAL CODES. GENERAL CONTRACTOR TO SUPPLY AND CONNECT ELECTRICAL PIGTAILS AT ALL CODED LOCATIONS FOR FCC DECOR PRODUCTS. ALL ELECTRICAL FIXTURES, WIRING AND INSTALLATION TO BE "U.L. APPROVED." LIGHTING FIXTURES AND/OR HVAC MAY NEED TO BE RELOCATED BY GENERAL CONTRACTOR TO ACCOMMODATE DECOR. REFER TO CEILING PLANS. GENERAL CONTRACTOR TO CONTACT CONSTRUCTION ENGINEER TO VERIFY ALL LIGHTING PLACEMENTS AND FINAL HVAC LOCATIONS.

GENERAL WARRANTIES:

LIMITED WARRANTY: FCC COMMERCIAL FURNITURE WARRANTS TO THE OWNER/CLIENT THAT THE PRODUCTS SOLD WILL BE FREE FROM MATERIAL DEFECTS IN WORKMANSHIP UNDER NORMAL USE AND SERVICE FOR A PERIOD OF ONE YEAR FROM THE DATE OF FCC COMMERCIAL FURNITURE'S DELIVERY OF PRODUCTS TO THE DELIVERED LOCATION. THERE IS NO WARRANTY IN CASES OF DAMAGES IN TRANSIT, NEGLIGENCE, ABUSE, ABNORMAL USAGE, MISUSE, ACCIDENTS, NORMAL WEAR AND TEAR, DAMAGE DUE TO ENVIRONMENTAL OR NATURAL ELEMENTS, FAILURE TO FOLLOW FCC'S INSTRUCTIONS, OR IMPROPER INSTALLATION, STORAGE AND/OR MAINTENANCE.

THE OWNER/CLIENT SHALL VERIFY THE CONDITIONS OF THE SHIPMENT AND NOTIFY FCC COMMERCIAL FURNITURE OF ANY DAMAGES WITHIN 24 HOURS. TRANSFER OF TITLE OCCURS UPON SHIPMENT F.O.B. FROM FCC'S FACILITY. THE OWNER/CLIENT SHALL ACCOMPANY A FCC COMMERCIAL FURNITURE REPRESENTATIVE ON A PROJECT COMPLETION WALK THROUGH TO IDENTIFY INCOMPLETE WORK.

B.K.C. APPROVED
THIS PROJECT HAS BEEN SUBMITTED AND APPROVED BY BURGER KING CORPORATE.

APPROVED DRAWINGS FOR CONSTRUCTION:
ITEMS PROVIDED AND/OR BUILT BY G.C. / INSTALLER / CUSTOMER ARE APPROVED TO BE ORDERED / BUILT PER THIS SET OF PLANS.
ITEMS BUILT / PROVIDED BY FCC COMMERCIAL FURNITURE SHOULD STILL BE CONSIDERED PRELIMINARY UNTIL FINAL DRAWINGS ARE RELEASED.

INDEX OF DRAWINGS:

- SHEET D0.0 - COVER SHEET**
CUSTOMER INFORMATION, GENERAL NOTES
- SHEET D1.0 - SEATING LAYOUT**
FURNITURE COMPONENT, SEATING CAPACITY
- SHEET D1.1 - PRELIMINARY METALWORK LAYOUT**
DO NOT CORE DRILL FROM THIS PLAN
- SHEET D2.0 THRU D2.3 - INTERIOR BUILDING ELEVATIONS**
INTERIOR WALL CONDITIONS AND FINISHES
- SHEET D3.0 THRU D3.1 - DECOR ELEVATIONS / DETAILS**
FCC DECOR ITEMS
- SHEET D4.0 - REFLECTED CEILING PLAN**
FOR REFERENCE ONLY, DECOR LIGHTING
- SHEET D5.0 - FLOOR TILE PLAN**
MAIN & ACCENT FLOOR TILE LOCATION
- SHEET D6.0 - BUILDING FINISH LAYOUT**
BUILDING FINISH LOCATIONS
- SHEET D7.0 - G.C. PLAN**
GC BUILT ITEMS AND ELECTRICAL
- SHEET D7.1 - WAY FINDING SIGNAGE**
- SHEET D8.0 THRU D8.3 - DECOR SPECIFICATIONS**
FCC FURNITURE ITEMS
- SHEET D8.4 THRU D8.5 - FINISH SPECIFICATIONS**
INTERIOR BUILDING FINISH SPECIFICATIONS
- SHEET D9.0 - VERIFICATION PLAN**
NOTE: FILL OUT AND RETURN TO FCC

PROJECT CONTACTS:

PLEASE CONTACT ONE OF THE FOLLOWING FCC COMMERCIAL FURNITURE TEAM MEMBERS TO ADDRESS CONCERNS YOU MAY HAVE:

FCC COMMERCIAL FURNITURE, INC.
T. 800.322.7328

DESIGN MANAGER:
MICKEY HINES
T. 800.322.7328 EXT. 210
DESIGN MANAGER:
DAVID GALSTER
T. 800.322.7328 EXT. 226
PROJECT COORDINATOR
LISA GILLESPIE
T. 800.322.7328 EXT. 270
SALESPERSON
RANDY MOE
T. 541.580.2614

LEGEND:

REFER TO EACH SHEET FOR ALL NOTES OR CONTRACTOR INFORMATION AND / OR SCHEDULES.

- # FCC SEATING / DECOR ELEMENT
- # ITEMS NOT BY FCC & BK CODES

APPROVAL PRINT
PLEASE SIGN, DATE AND RETURN TO
FCC COMMERCIAL FURNITURE INC

APPROVED: _____ DATE: _____
AS NOTED: _____ DATED: _____
APPROVED: _____ DATE: _____
NOTES:

PROJECT REVISIONS			
DATE	REV. #	DESCRIPTION	INITIALS
09/15/21	△	Removed service counter pass thru. Added kitchen access door.	ALM
00/00/00	△	---	---
00/00/00	△	---	---
00/00/00	△	---	---



FCC COMMERCIAL FURNITURE INC.
8452 OLD HWY 99 N. ROSEBURG, OR 97470 USA
T. 800.322.7328 | F. 541.673.7441 | WWW.FCCFURN.COM

DESIGNED AND BUILT IN U.S.A.

PROPERTY OF FCC COMMERCIAL FURNITURE
THIS IS A FOR DESIGN PURPOSE TO EXPRESS DESIGN CONCEPTS TO THE ARCHITECT, CLIENT, CONTRACTOR AND INSTALLER FOR THE PROJECT SHOWN. THIS DESIGN AND THE CONCEPTS HEREIN SHALL NOT BE ALTERED OR USED AS CONSTRUCTION DOCUMENTS. DO NOT REPRODUCE OR LEND WITHOUT WRITTEN PERMISSION FROM FCC COMMERCIAL FURNITURE INC.

IMPORTANT

WRITTEN DIMENSIONS HAVE PRECEDENCE OVER SCALE IN ALL CASES.

DO NOT SCALE OFF PLANS. CONTACT FCC COMMERCIAL FURNITURE'S REPRESENTATIVE TO VERIFY ANY QUESTIONABLE DIMENSIONS AT TELEPHONE # 800.322.7328

THE GENERAL CONTRACTOR MUST VERIFY ALL BUILDING DIMENSIONS, EQUIPMENT, FURNITURE PLACEMENT, UTILITY LOCATIONS, AND CONDITIONS AT THE JOB SITE.

THE GENERAL CONTRACTOR MUST NOTIFY FCC COMMERCIAL FURNITURE OF ALL DISCREPANCIES AND/OR REQUIRED ADJUSTMENTS PRIOR TO STARTING WORK.

FCC COMMERCIAL FURNITURE HAS PREPARED THESE DOCUMENTS AS ACCURATELY AS POSSIBLE WITH THE ARCHITECTURAL INFORMATION PROVIDED. DUE TO LACK OF ACCURATE AND COMPLETE DIMENSIONED ARCHITECTURAL PLANS, OWNER UNDERSTANDS THAT ADJUSTMENTS TO THE FINAL LOCATIONS OF EQUIPMENT AND/OR FURNITURE PLACEMENT MAY BE REQUIRED AT THE OWNER'S EXPENSE DUE TO DISCREPANCIES BASED ON ACTUAL JOB SITE DIMENSIONS AND CONDITIONS.

REFER TO ARCHITECTURAL OR ENGINEER DRAWINGS FOR COMPLETE AND ACCURATE DIMENSIONS OF BUILDING STRUCTURE.

THESE CONTRACT DOCUMENTS AND THE INFORMATION THEY CONTAIN ARE THE PROPERTY OF FCC COMMERCIAL FURNITURE INC., ROSEBURG, OREGON, 97470.

ALL PREPARED CONTRACT DOCUMENTS MAY NOT BE COPIED, REPRODUCED, USED OR IMPLEMENTED IN ANY WAY, IN PART OR IN WHOLE, WITHOUT THE EXPRESS WRITTEN CONSENT OF FCC COMMERCIAL FURNITURE INC.

ANY UNAUTHORIZED USE OF THESE PLANS WILL RESULT IN PAYMENT DUE FOR SERVICES RENDERED BY FCC COMMERCIAL FURNITURE INC.

ANY DEVIATIONS FROM THESE DRAWINGS FOR ANY REASON SHALL NOT BE DONE WITHOUT CONSENT OF FCC COMMERCIAL FURNITURE INC. IN ADVANCE. IN WRITING. FCC COMMERCIAL FURNITURE IS NOT RESPONSIBLE FOR DEVIATIONS, CHANGES, ADDITIONS, OR DELETIONS NOT REVIEWED AND APPROVED IN ADVANCE BY FCC COMMERCIAL FURNITURE INC.

THESE DOCUMENTS REFLECT SPECIFIC SEATING AND DECOR EQUIPMENT ORDERED OF DATE SHOWN BELOW.

CLIENT:



Burger King

Grayson, KY
Decor: Garden Grill
Building Type: BK-2502

CUSTOMER
Ampler Development

SHEET TITLE:
PROJECT
COVER PAGE

WORK ORDER NUMBER:

FINALS BY:

DRAWN BY:
AARON McCRAW
SCALE:

NTS
ORIGINAL DATE:

August 17, 2021

PLOT DATE:
September 15, 2021

PROJECT #:
22524-001

SHEET #:
D0.0



FCC COMMERCIAL FURNITURE INC.
8452 OLD HWY 99 N. ROSEBURG, OR 97470 USA
T: 800.322.7328 | F: 541.673.7441 | WWW.FCCFURN.COM
DESIGNED AND BUILT IN U.S.A.

PROPERTY OF FCC COMMERCIAL FURNITURE
THIS IS A FOR DESIGN PURPOSE TO EXPRESS DESIGN CONCEPTS TO THE ARCHITECT, CLIENT, CONTRACTOR AND INSTALLER FOR THE PROJECT SHOWN. THIS DESIGN AND THE CONCEPTS HEREIN SHALL NOT BE ALTERED OR USED AS CONSTRUCTION DOCUMENTS. DO NOT REPRODUCE OR LEND WITHOUT WRITTEN PERMISSION FROM FCC COMMERCIAL FURNITURE INC.

IMPORTANT

WRITTEN DIMENSIONS HAVE PRECEDENCE OVER SCALE IN ALL CASES.

DO NOT SCALE OFF PLANS. CONTACT FCC COMMERCIAL FURNITURE'S REPRESENTATIVE TO VERIFY ANY QUESTIONABLE DIMENSIONS AT TELEPHONE # 800.322.7328

THE GENERAL CONTRACTOR MUST VERIFY ALL BUILDING DIMENSIONS, EQUIPMENT, FURNITURE PLACEMENT, UTILITY LOCATIONS, AND CONDITIONS AT THE JOB SITE.

THE GENERAL CONTRACTOR MUST NOTIFY FCC COMMERCIAL FURNITURE OF ALL DISCREPANCIES AND/OR REQUIRED ADJUSTMENTS PRIOR TO STARTING WORK.

FCC COMMERCIAL FURNITURE HAS PREPARED THESE DOCUMENTS AS ACCURATELY AS POSSIBLE WITH THE ARCHITECTURAL INFORMATION PROVIDED. DUE TO LACK OF ACCURATE AND COMPLETE DIMENSIONED ARCHITECTURAL PLANS, OWNER UNDERSTANDS THAT ADJUSTMENTS TO THE FINAL LOCATIONS OF EQUIPMENT AND/OR FURNITURE PLACEMENT MAY BE REQUIRED AT THE OWNER'S EXPENSE DUE TO DISCREPANCIES BASED ON ACTUAL JOB SITE DIMENSIONS AND CONDITIONS.

REFER TO ARCHITECTURAL OR ENGINEER DRAWINGS FOR COMPLETE AND ACCURATE DIMENSIONS OF BUILDING STRUCTURE.

THESE CONTRACT DOCUMENTS AND THE INFORMATION THEY CONTAIN ARE THE PROPERTY OF FCC COMMERCIAL FURNITURE INC., ROSEBURG, OREGON, 97470.

ALL PREPARED CONTRACT DOCUMENTS MAY NOT BE COPIED, REPRODUCED, USED OR IMPLEMENTED IN ANY WAY, IN PART OR IN WHOLE, WITHOUT THE EXPRESS WRITTEN CONSENT OF FCC COMMERCIAL FURNITURE INC.

ANY UNAUTHORIZED USE OF THESE PLANS WILL RESULT IN PAYMENT DUE FOR SERVICES RENDERED BY FCC COMMERCIAL FURNITURE INC.

ANY DEVIATIONS FROM THESE DRAWINGS FOR ANY REASON SHALL NOT BE DONE WITHOUT CONSENT OF FCC COMMERCIAL FURNITURE INC. IN ADVANCE. IN WRITING. FCC COMMERCIAL FURNITURE IS NOT RESPONSIBLE FOR DEVIATIONS, CHANGES, ADDITIONS, OR DELETIONS NOT REVIEWED AND APPROVED IN ADVANCE BY FCC COMMERCIAL FURNITURE INC.

THESE DOCUMENTS REFLECT SPECIFIC SEATING AND DECOR EQUIPMENT ORDERED OF DATE SHOWN BELOW.

CLIENT:



Burger King

Grayson, KY
Decor: Garden Grill
Building Type: BK-2502

CUSTOMER
Ampler Development

SHEET TITLE:
DINING ROOM
SEATING LAYOUT

WORK ORDER NUMBER:

FINALS BY:

DRAWN BY:
AARON McCRAW

SCALE:
3/16" = 1'-0"

ORIGINAL DATE:
August 17, 2021

PLOT DATE:
September 15, 2021

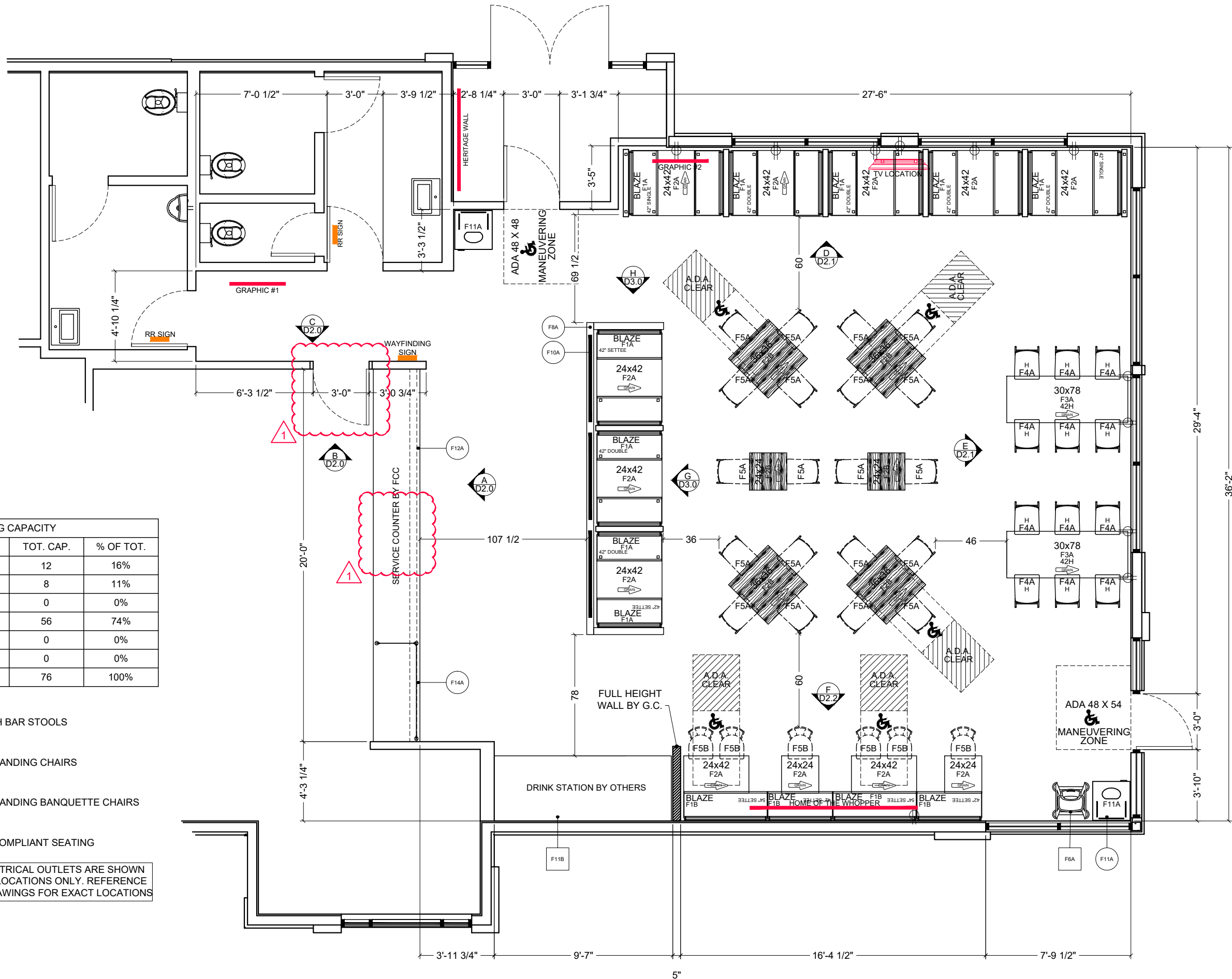
PROJECT #:
22524-001

SHEET #:
D1.0

SEATING CAPACITY			
UNIT CAP.	UNIT QTY.	TOT. CAP.	% OF TOT.
1 PLACE	12	12	16%
2 PLACE	4	8	11%
3 PLACE	0	0	0%
4 PLACE	14	56	74%
5 PLACE	0	0	0%
6 PLACE	0	0	0%
TOTAL	30	76	100%

- 30" HIGH BAR STOOLS
- FREESTANDING CHAIRS
- FREESTANDING BANQUETTE CHAIRS
- A.D.A. COMPLIANT SEATING

NOTE: ALL ELECTRICAL OUTLETS ARE SHOWN AS SUGGESTED LOCATIONS ONLY. REFERENCE ARCHITECTURAL DRAWINGS FOR EXACT LOCATIONS



5"



FCC COMMERCIAL FURNITURE INC.
8452 OLD HWY 99 N. ROSEBURG, OR 97470 USA
T: 800.322.7328 | F: 541.673.7441 | WWW.FCCFURN.COM
DESIGNED AND BUILT IN U.S.A.

PROPERTY OF FCC COMMERCIAL FURNITURE
THIS IS A FOR DESIGN PURPOSE TO EXPRESS DESIGN CONCEPTS TO THE ARCHITECT, CLIENT, CONTRACTOR AND INSTALLER FOR THE PROJECT SHOWN. THIS DESIGN AND THE CONCEPTS HEREIN SHALL NOT BE ALTERED OR USED AS CONSTRUCTION DOCUMENTS. DO NOT REPRODUCE OR LEND WITHOUT WRITTEN PERMISSION FROM FCC COMMERCIAL FURNITURE INC.

IMPORTANT

WRITTEN DIMENSIONS HAVE PRECEDENCE OVER SCALE IN ALL CASES.

DO NOT SCALE OFF PLANS. CONTACT FCC COMMERCIAL FURNITURE'S REPRESENTATIVE TO VERIFY ANY QUESTIONABLE DIMENSIONS AT TELEPHONE # 800.322.7328

THE GENERAL CONTRACTOR MUST VERIFY ALL BUILDING DIMENSIONS, EQUIPMENT, FURNITURE PLACEMENT, UTILITY LOCATIONS, AND CONDITIONS AT THE JOB SITE.

THE GENERAL CONTRACTOR MUST NOTIFY FCC COMMERCIAL FURNITURE OF ALL DISCREPANCIES AND/OR REQUIRED ADJUSTMENTS PRIOR TO STARTING WORK.

FCC COMMERCIAL FURNITURE HAS PREPARED THESE DOCUMENTS AS ACCURATELY AS POSSIBLE WITH THE ARCHITECTURAL INFORMATION PROVIDED. DUE TO LACK OF ACCURATE AND COMPLETE DIMENSIONED ARCHITECTURAL PLANS, OWNER UNDERSTANDS THAT ADJUSTMENTS TO THE FINAL LOCATIONS OF EQUIPMENT AND/OR FURNITURE PLACEMENT MAY BE REQUIRED AT THE OWNER'S EXPENSE DUE TO DISCREPANCIES BASED ON ACTUAL JOB SITE DIMENSIONS AND CONDITIONS.

REFER TO ARCHITECTURAL OR ENGINEER DRAWINGS FOR COMPLETE AND ACCURATE DIMENSIONS OF BUILDING STRUCTURE.

THESE CONTRACT DOCUMENTS AND THE INFORMATION THEY CONTAIN ARE THE PROPERTY OF FCC COMMERCIAL FURNITURE INC., ROSEBURG, OREGON, 97470.

ALL PREPARED CONTRACT DOCUMENTS MAY NOT BE COPIED, REPRODUCED, USED OR IMPLEMENTED IN ANY WAY, IN PART OR IN WHOLE, WITHOUT THE EXPRESS WRITTEN CONSENT OF FCC COMMERCIAL FURNITURE INC.

ANY UNAUTHORIZED USE OF THESE PLANS WILL RESULT IN PAYMENT DUE FOR SERVICES RENDERED BY FCC COMMERCIAL FURNITURE INC.

ANY DEVIATIONS FROM THESE DRAWINGS FOR ANY REASON SHALL NOT BE DONE WITHOUT CONSENT OF FCC COMMERCIAL FURNITURE INC. IN ADVANCE. IN WRITING. FCC COMMERCIAL FURNITURE IS NOT RESPONSIBLE FOR DEVIATIONS, CHANGES, ADDITIONS, OR DELETIONS NOT REVIEWED AND APPROVED IN ADVANCE BY FCC COMMERCIAL FURNITURE INC.

THESE DOCUMENTS REFLECT SPECIFIC SEATING AND DECOR EQUIPMENT ORDERED OF DATE SHOWN BELOW.

CLIENT:



Burger King

Grayson, KY
Decor: Garden Grill
Building Type: BK-2502

CUSTOMER
Ampler Development

SHEET TITLE:
DINING ROOM PRELIM.
METALWORK LAYOUT

WORK ORDER NUMBER:

FINALS BY:

DRAWN BY:
AARON McCRAW
SCALE:

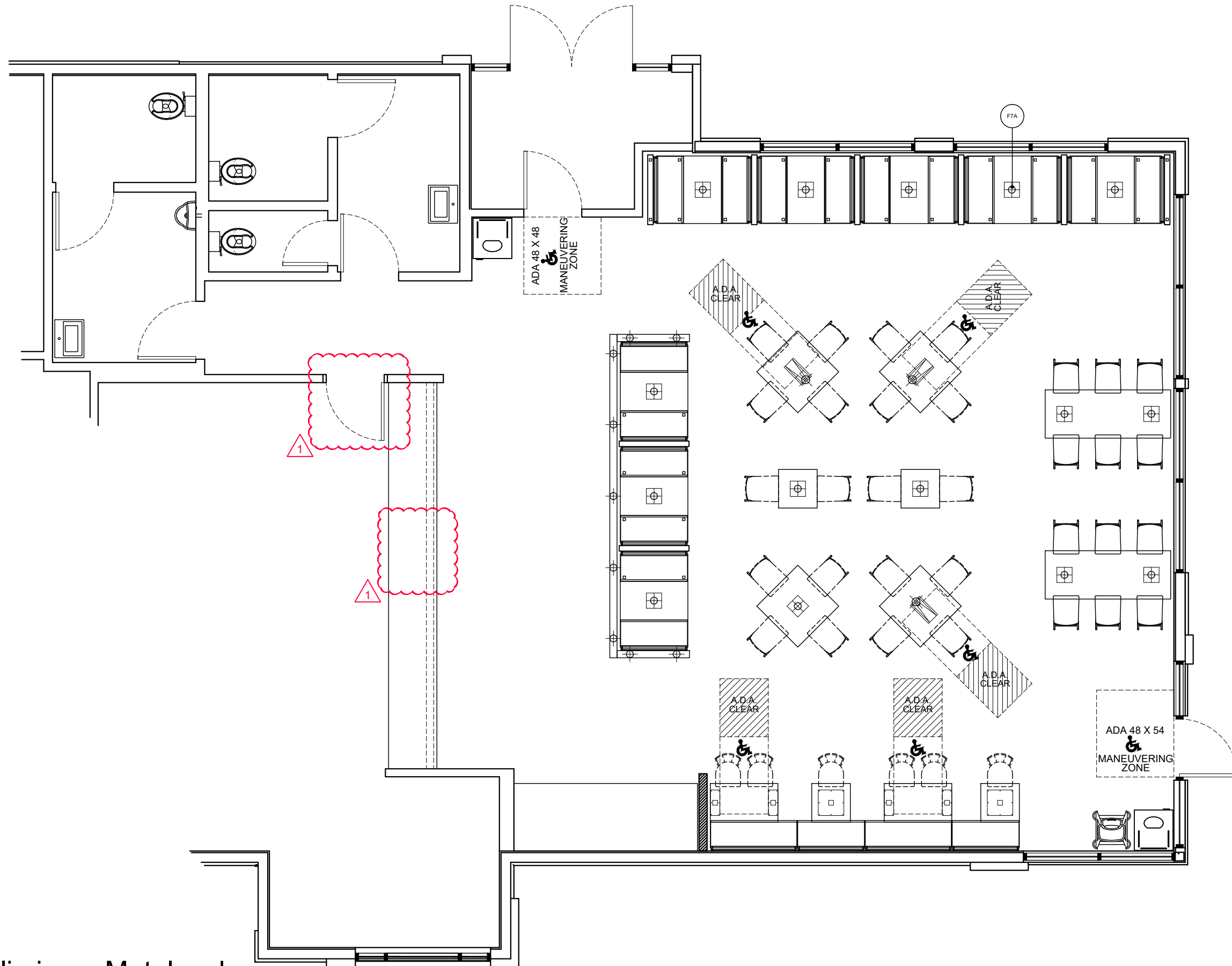
3/16" = 1'-0"

ORIGINAL DATE:
August 17, 2021

PLOT DATE:
September 15, 2021

PROJECT #:
22524-001

SHEET #:
D1.1



*Note: Preliminary Metalwork.
(DO NOT CORE FROM THIS PLAN)



FCC COMMERCIAL FURNITURE INC.
8452 OLD HWY 99 N. ROSEBURG, OR 97470 USA
T: 800.322.7328 | F: 541.673.7441 | WWW.FCCFURN.COM
DESIGNED AND BUILT IN U.S.A.

PROPERTY OF FCC COMMERCIAL FURNITURE
THIS IS A FOR DESIGN PURPOSE TO EXPRESS DESIGN CONCEPTS TO THE ARCHITECT, CLIENT, CONTRACTOR AND INSTALLER FOR THE PROJECT SHOWN. THIS DESIGN AND THE CONCEPTS HEREIN SHALL NOT BE ALTERED OR USED AS CONSTRUCTION DOCUMENTS. DO NOT REPRODUCE OR LEND WITHOUT WRITTEN PERMISSION FROM FCC COMMERCIAL FURNITURE INC.

IMPORTANT

WRITTEN DIMENSIONS HAVE PRECEDENCE OVER SCALE IN ALL CASES.

DO NOT SCALE OFF PLANS. CONTACT FCC COMMERCIAL FURNITURE'S REPRESENTATIVE TO VERIFY ANY QUESTIONABLE DIMENSIONS AT TELEPHONE # 800.322.7328

THE GENERAL CONTRACTOR MUST VERIFY ALL BUILDING DIMENSIONS, EQUIPMENT, FURNITURE PLACEMENT, UTILITY LOCATIONS, AND CONDITIONS AT THE JOB SITE.

THE GENERAL CONTRACTOR MUST NOTIFY FCC COMMERCIAL FURNITURE OF ALL DISCREPANCIES AND/OR REQUIRED ADJUSTMENTS PRIOR TO STARTING WORK.

FCC COMMERCIAL FURNITURE HAS PREPARED THESE DOCUMENTS AS ACCURATELY AS POSSIBLE WITH THE ARCHITECTURAL INFORMATION PROVIDED. DUE TO LACK OF ACCURATE AND COMPLETE DIMENSIONED ARCHITECTURAL PLANS, OWNER UNDERSTANDS THAT ADJUSTMENTS TO THE FINAL LOCATIONS OF EQUIPMENT AND/OR FURNITURE PLACEMENT MAY BE REQUIRED AT THE OWNER'S EXPENSE DUE TO DISCREPANCIES BASED ON ACTUAL JOB SITE DIMENSIONS AND CONDITIONS.

REFER TO ARCHITECTURAL OR ENGINEER DRAWINGS FOR COMPLETE AND ACCURATE DIMENSIONS OF BUILDING STRUCTURE.

THESE CONTRACT DOCUMENTS AND THE INFORMATION THEY CONTAIN ARE THE PROPERTY OF FCC COMMERCIAL FURNITURE INC., ROSEBURG, OREGON, 97470.

ALL PREPARED CONTRACT DOCUMENTS MAY NOT BE COPIED, REPRODUCED, USED OR IMPLEMENTED IN ANY WAY, IN PART OR IN WHOLE, WITHOUT THE EXPRESS WRITTEN CONSENT OF FCC COMMERCIAL FURNITURE INC.

ANY UNAUTHORIZED USE OF THESE PLANS WILL RESULT IN PAYMENT DUE FOR SERVICES RENDERED BY FCC COMMERCIAL FURNITURE INC.

ANY DEVIATIONS FROM THESE DRAWINGS FOR ANY REASON SHALL NOT BE DONE WITHOUT CONSENT OF FCC COMMERCIAL FURNITURE INC. IN ADVANCE. IN WRITING. FCC COMMERCIAL FURNITURE IS NOT RESPONSIBLE FOR DEVIATIONS, CHANGES, ADDITIONS, OR DELETIONS NOT REVIEWED AND APPROVED IN ADVANCE BY FCC COMMERCIAL FURNITURE INC.

THESE DOCUMENTS REFLECT SPECIFIC SEATING AND DECOR EQUIPMENT ORDERED OF DATE SHOWN BELOW.

CLIENT:



Burger King

Grayson, KY
Decor: Garden Grill
Building Type: BK-2502

CUSTOMER
Ampler Development

SHEET TITLE:
INTERIOR BUILDING
ELEVATIONS

WORK ORDER NUMBER:

FINALS BY:

DRAWN BY:
AARON McCRAW

SCALE:

1/4" = 1'-0"

ORIGINAL DATE:

August 17, 2021

PLOT DATE:

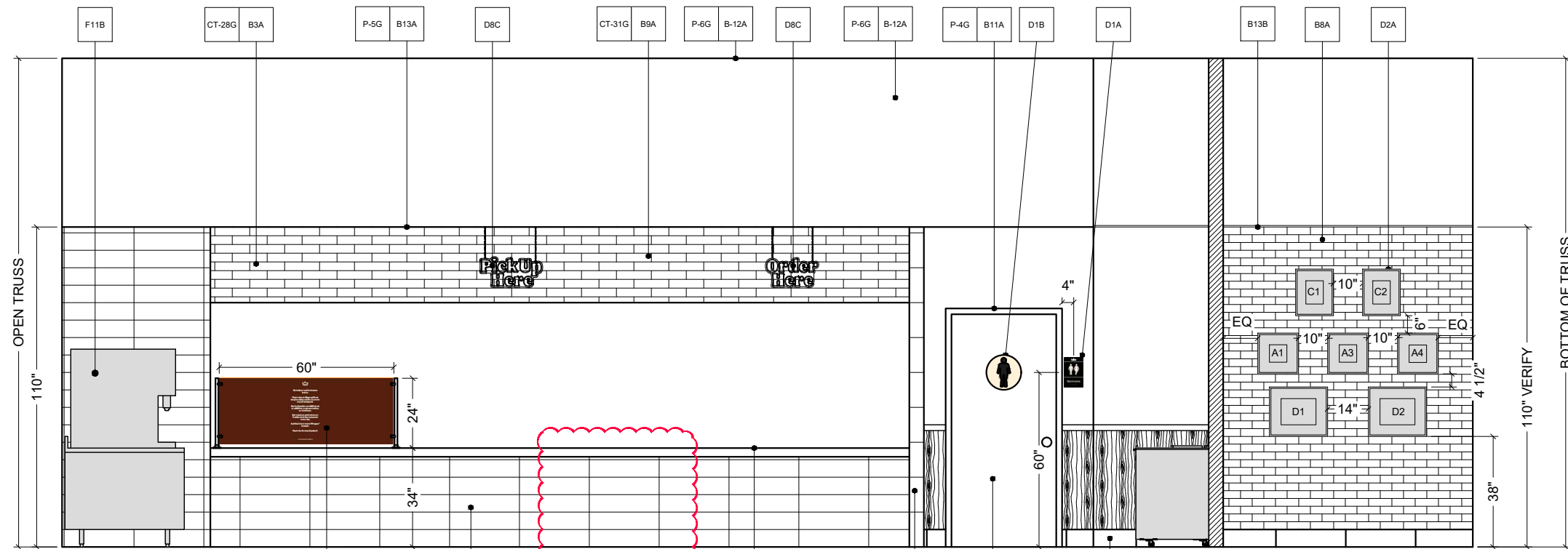
September 15, 2021

PROJECT #:

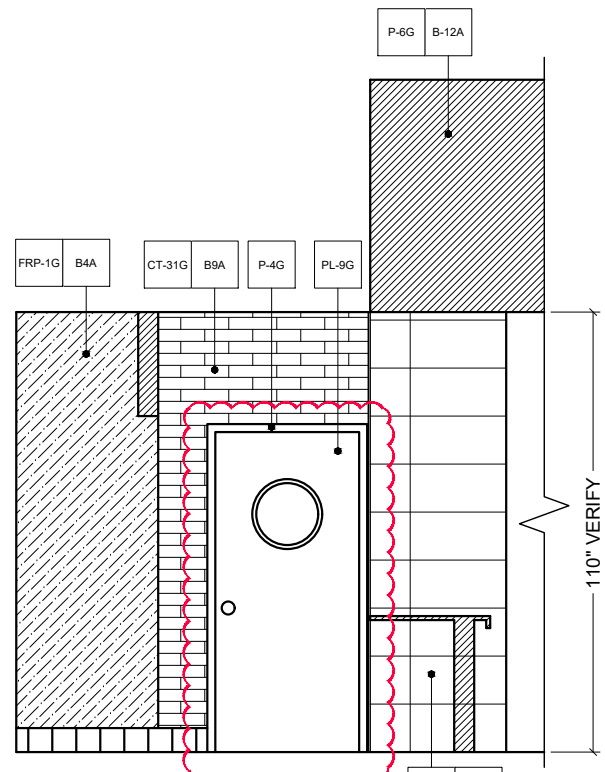
22524-001

SHEET #:

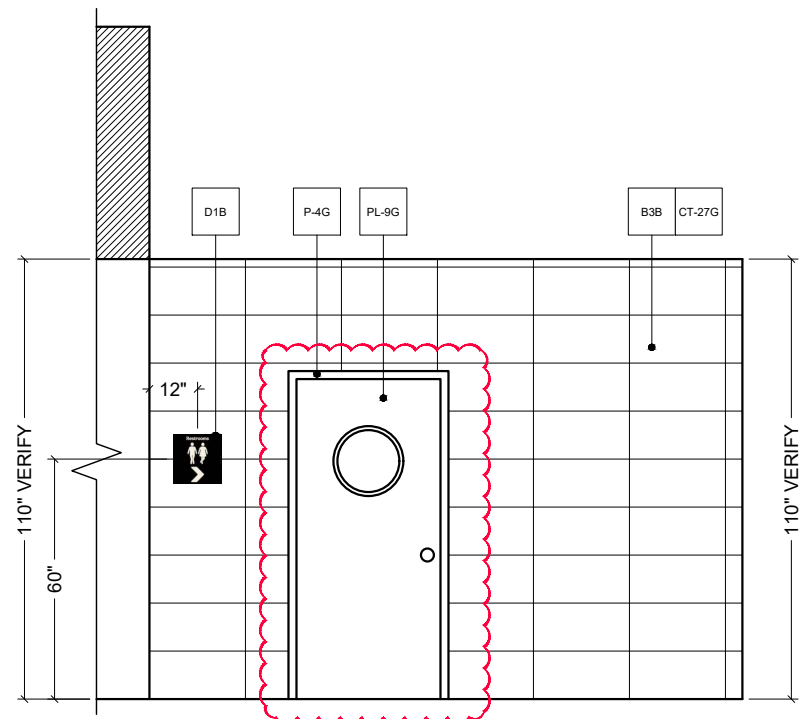
D2.0



A ELEVATION
1/4" = 1'-0"



B ELEVATION
1/4" = 1'-0"



C ELEVATION
1/4" = 1'-0"



FCC COMMERCIAL FURNITURE INC.
8452 OLD HWY 99 N. ROSEBURG, OR 97470 USA
T. 800.322.7328 | F. 541.673.7441 | WWW.FCCFURN.COM
DESIGNED AND BUILT IN U.S.A.

PROPERTY OF FCC COMMERCIAL FURNITURE
THIS IS A FOR DESIGN PURPOSE TO EXPRESS DESIGN
CONCEPTS TO THE ARCHITECT, CLIENT, CONTRACTOR
AND INSTALLER FOR THE PROJECT SHOWN. THIS DESIGN
AND THE CONCEPTS HEREIN SHALL
NOT BE ALTERED OR USED AS CONSTRUCTION
DOCUMENTS. DO NOT REPRODUCE OR LEND WITHOUT
WRITTEN PERMISSION FROM FCC COMMERCIAL
FURNITURE INC.

IMPORTANT

WRITTEN DIMENSIONS HAVE PRECEDENCE OVER SCALE
IN ALL CASES.

DO NOT SCALE OFF PLANS. CONTACT FCC COMMERCIAL
FURNITURE'S REPRESENTATIVE TO VERIFY ANY
QUESTIONABLE DIMENSIONS AT TELEPHONE #
800.322.7328

THE GENERAL CONTRACTOR MUST VERIFY ALL BUILDING
DIMENSIONS, EQUIPMENT, FURNITURE PLACEMENT,
UTILITY LOCATIONS, AND CONDITIONS AT THE JOB SITE.

THE GENERAL CONTRACTOR MUST NOTIFY FCC
COMMERCIAL FURNITURE OF ALL DISCREPANCIES
AND/OR REQUIRED ADJUSTMENTS PRIOR TO STARTING
WORK.

FCC COMMERCIAL FURNITURE HAS PREPARED THESE
DOCUMENTS AS ACCURATELY AS POSSIBLE WITH THE
ARCHITECTURAL INFORMATION PROVIDED. DUE TO LACK
OF ACCURATE AND COMPLETE DIMENSIONED
ARCHITECTURAL PLANS, OWNER UNDERSTANDS THAT
ADJUSTMENTS TO THE FINAL LOCATIONS OF EQUIPMENT
AND/OR FURNITURE PLACEMENT MAY BE REQUIRED AT
THE OWNER'S EXPENSE DUE TO DISCREPANCIES BASED
ON ACTUAL JOB SITE DIMENSIONS AND CONDITIONS.

REFER TO ARCHITECTURAL OR ENGINEER DRAWINGS
FOR COMPLETE AND ACCURATE DIMENSIONS OF
BUILDING STRUCTURE.

THESE CONTRACT DOCUMENTS AND THE INFORMATION
THEY CONTAIN ARE THE PROPERTY OF FCC COMMERCIAL
FURNITURE INC., ROSEBURG, OREGON, 97470.

ALL PREPARED CONTRACT DOCUMENTS MAY NOT BE
COPIED, REPRODUCED, USED OR IMPLEMENTED IN ANY
WAY, IN PART OR IN WHOLE, WITHOUT THE EXPRESS
WRITTEN CONSENT OF FCC COMMERCIAL FURNITURE INC.

ANY UNAUTHORIZED USE OF THESE PLANS WILL RESULT
IN PAYMENT DUE FOR SERVICES RENDERED BY FCC
COMMERCIAL FURNITURE INC.

ANY DEVIATIONS FROM THESE DRAWINGS FOR ANY
REASON SHALL NOT BE DONE WITHOUT CONSENT OF FCC
COMMERCIAL FURNITURE INC. IN WRITING.
FCC COMMERCIAL FURNITURE IS NOT RESPONSIBLE FOR
DEVIATIONS, CHANGES, ADDITIONS, OR DELETIONS NOT
REVIEWED AND APPROVED IN ADVANCE BY FCC
COMMERCIAL FURNITURE INC.

THESE DOCUMENTS REFLECT SPECIFIC SEATING AND
DECOR EQUIPMENT ORDERED OF DATE SHOWN BELOW.

CLIENT:



Burger King

Grayson, KY
Decor: Garden Grill
Building Type: BK-2502

CUSTOMER
Ampler Development

SHEET TITLE:
INTERIOR BUILDING
ELEVATIONS

WORK ORDER NUMBER:

FINALS BY:

DRAWN BY:
AARON McCRAW
SCALE:

1/4" = 1'-0"

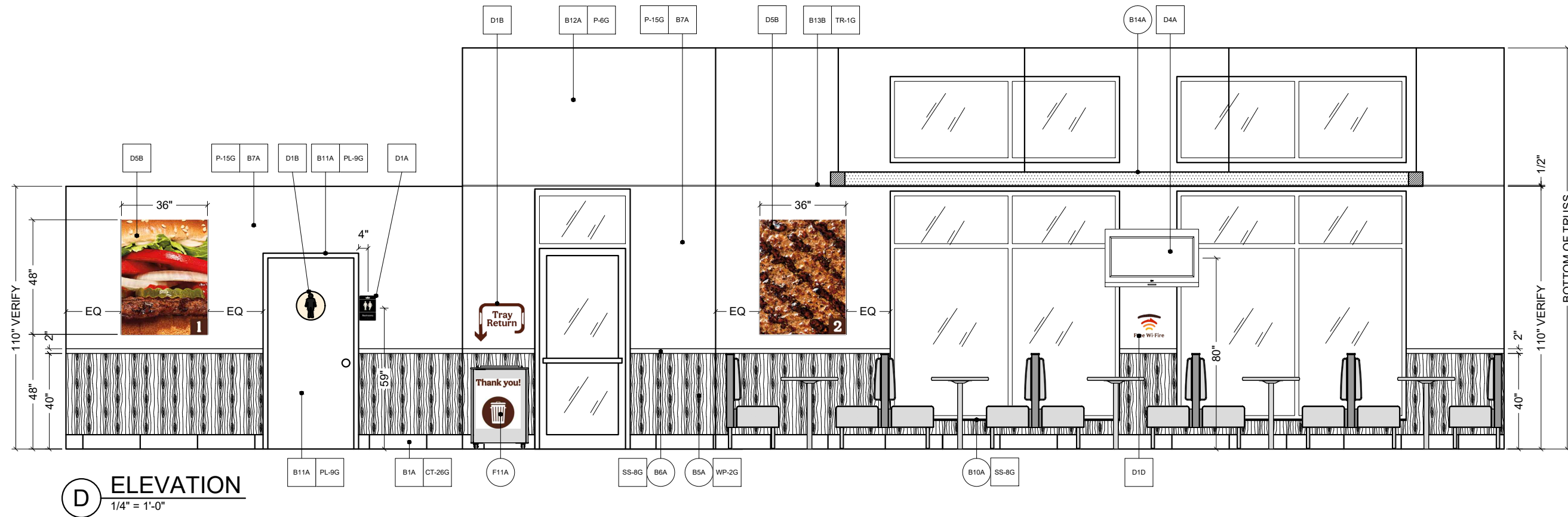
ORIGINAL DATE:
August 17, 2021

PLOT DATE:
September 15, 2021

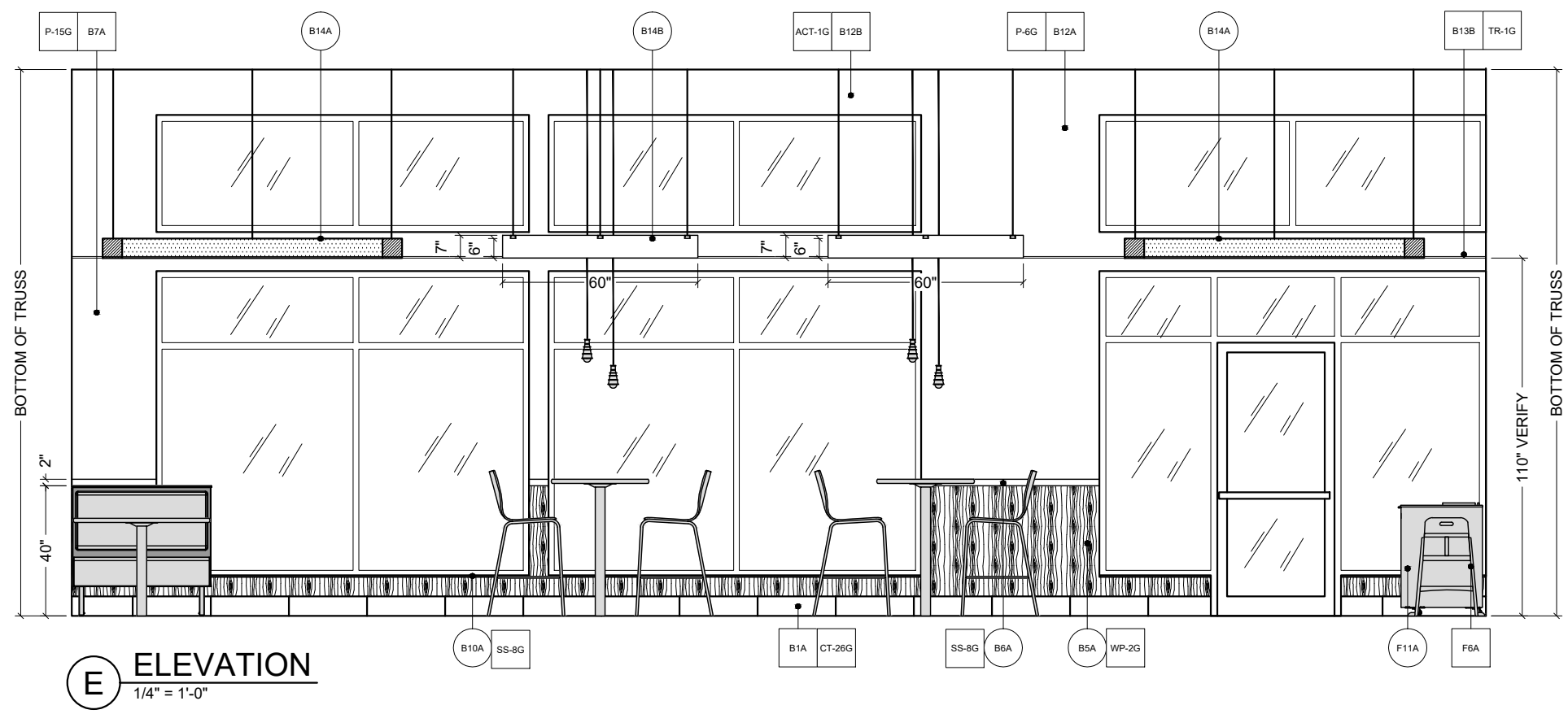
PROJECT #:
22524-001

SHEET #:

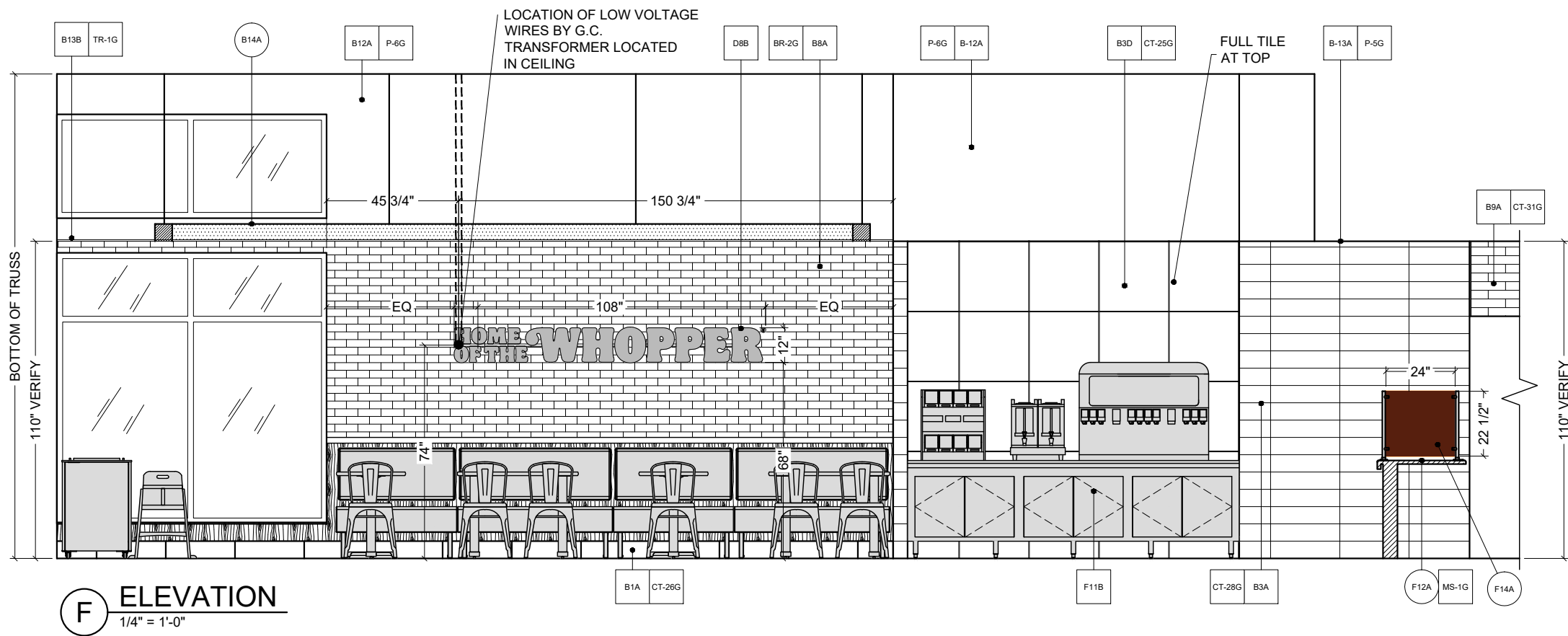
D2.1



D ELEVATION
1/4" = 1'-0"



E ELEVATION
1/4" = 1'-0"



F ELEVATION
1/4" = 1'-0"



FCC COMMERCIAL FURNITURE INC.
8452 OLD HWY 99 N. ROSEBURG, OR 97470 USA
T: 800.322.7328 | F: 541.673.7441 | WWW.FCCFURN.COM
DESIGNED AND BUILT IN U.S.A.

PROPERTY OF FCC COMMERCIAL FURNITURE
THIS IS A FOR DESIGN PURPOSE TO EXPRESS DESIGN CONCEPTS TO THE ARCHITECT, CLIENT, CONTRACTOR AND INSTALLER FOR THE PROJECT SHOWN. THIS DESIGN AND THE CONCEPTS HEREIN SHALL NOT BE ALTERED OR USED AS CONSTRUCTION DOCUMENTS. DO NOT REPRODUCE OR LEND WITHOUT WRITTEN PERMISSION FROM FCC COMMERCIAL FURNITURE INC.

IMPORTANT

WRITTEN DIMENSIONS HAVE PRECEDENCE OVER SCALE IN ALL CASES.

DO NOT SCALE OFF PLANS. CONTACT FCC COMMERCIAL FURNITURE'S REPRESENTATIVE TO VERIFY ANY QUESTIONABLE DIMENSIONS AT TELEPHONE # 800.322.7328

THE GENERAL CONTRACTOR MUST VERIFY ALL BUILDING DIMENSIONS, EQUIPMENT, FURNITURE PLACEMENT, UTILITY LOCATIONS, AND CONDITIONS AT THE JOB SITE.

THE GENERAL CONTRACTOR MUST NOTIFY FCC COMMERCIAL FURNITURE OF ALL DISCREPANCIES AND/OR REQUIRED ADJUSTMENTS PRIOR TO STARTING WORK.

FCC COMMERCIAL FURNITURE HAS PREPARED THESE DOCUMENTS AS ACCURATELY AS POSSIBLE WITH THE ARCHITECTURAL INFORMATION PROVIDED. DUE TO LACK OF ACCURATE AND COMPLETE DIMENSIONED ARCHITECTURAL PLANS, OWNER UNDERSTANDS THAT ADJUSTMENTS TO THE FINAL LOCATIONS OF EQUIPMENT AND/OR FURNITURE PLACEMENT MAY BE REQUIRED AT THE OWNER'S EXPENSE DUE TO DISCREPANCIES BASED ON ACTUAL JOB SITE DIMENSIONS AND CONDITIONS.

REFER TO ARCHITECTURAL OR ENGINEER DRAWINGS FOR COMPLETE AND ACCURATE DIMENSIONS OF BUILDING STRUCTURE.

THESE CONTRACT DOCUMENTS AND THE INFORMATION THEY CONTAIN ARE THE PROPERTY OF FCC COMMERCIAL FURNITURE INC., ROSEBURG, OREGON, 97470.

ALL PREPARED CONTRACT DOCUMENTS MAY NOT BE COPIED, REPRODUCED, USED OR IMPLEMENTED IN ANY WAY, IN PART OR IN WHOLE, WITHOUT THE EXPRESS WRITTEN CONSENT OF FCC COMMERCIAL FURNITURE INC.

ANY UNAUTHORIZED USE OF THESE PLANS WILL RESULT IN PAYMENT DUE FOR SERVICES RENDERED BY FCC COMMERCIAL FURNITURE INC.

ANY DEVIATIONS FROM THESE DRAWINGS FOR ANY REASON SHALL NOT BE DONE WITHOUT CONSENT OF FCC COMMERCIAL FURNITURE INC. IN ADVANCE. IN WRITING. FCC COMMERCIAL FURNITURE IS NOT RESPONSIBLE FOR DEVIATIONS, CHANGES, ADDITIONS, OR DELETIONS NOT REVIEWED AND APPROVED IN ADVANCE BY FCC COMMERCIAL FURNITURE INC.

THESE DOCUMENTS REFLECT SPECIFIC SEATING AND DECOR EQUIPMENT ORDERED OF DATE SHOWN BELOW.



Burger King
Grayson, KY
Decor: Garden Grill
Building Type: BK-2502

CUSTOMER
Ampler Development

SHEET TITLE:
INTERIOR BUILDING ELEVATIONS

WORK ORDER NUMBER:

FINALS BY:

DRAWN BY:
AARON McCRAW
SCALE:

1/4" = 1'-0"

ORIGINAL DATE:
August 17, 2021

PLOT DATE:
September 15, 2021

PROJECT #:

22524-001

SHEET #:

D2.2



FCC COMMERCIAL FURNITURE INC.
8452 OLD HWY 99 N. ROSEBURG, OR 97470 USA
T. 800.322.7328 | F. 541.673.7441 | WWW.FCCFURN.COM
DESIGNED AND BUILT IN U.S.A.

PROPERTY OF FCC COMMERCIAL FURNITURE
THIS IS A FOR DESIGN PURPOSE TO EXPRESS DESIGN CONCEPTS TO THE ARCHITECT, CLIENT, CONTRACTOR AND INSTALLER FOR THE PROJECT SHOWN. THIS DESIGN AND THE CONCEPTS HEREIN SHALL NOT BE ALTERED OR USED AS CONSTRUCTION DOCUMENTS. DO NOT REPRODUCE OR LEND WITHOUT WRITTEN PERMISSION FROM FCC COMMERCIAL FURNITURE INC.

IMPORTANT

WRITTEN DIMENSIONS HAVE PRECEDENCE OVER SCALE IN ALL CASES.

DO NOT SCALE OFF PLANS. CONTACT FCC COMMERCIAL FURNITURE'S REPRESENTATIVE TO VERIFY ANY QUESTIONABLE DIMENSIONS AT TELEPHONE # 800.322.7328

THE GENERAL CONTRACTOR MUST VERIFY ALL BUILDING DIMENSIONS, EQUIPMENT, FURNITURE PLACEMENT, UTILITY LOCATIONS, AND CONDITIONS AT THE JOB SITE.

THE GENERAL CONTRACTOR MUST NOTIFY FCC COMMERCIAL FURNITURE OF ALL DISCREPANCIES AND/OR REQUIRED ADJUSTMENTS PRIOR TO STARTING WORK.

FCC COMMERCIAL FURNITURE HAS PREPARED THESE DOCUMENTS AS ACCURATELY AS POSSIBLE WITH THE ARCHITECTURAL INFORMATION PROVIDED. DUE TO LACK OF ACCURATE AND COMPLETE DIMENSIONED ARCHITECTURAL PLANS, OWNER UNDERSTANDS THAT ADJUSTMENTS TO THE FINAL LOCATIONS OF EQUIPMENT AND/OR FURNITURE PLACEMENT MAY BE REQUIRED AT THE OWNER'S EXPENSE DUE TO DISCREPANCIES BASED ON ACTUAL JOB SITE DIMENSIONS AND CONDITIONS.

REFER TO ARCHITECTURAL OR ENGINEER DRAWINGS FOR COMPLETE AND ACCURATE DIMENSIONS OF BUILDING STRUCTURE.

THESE CONTRACT DOCUMENTS AND THE INFORMATION THEY CONTAIN ARE THE PROPERTY OF FCC COMMERCIAL FURNITURE INC., ROSEBURG, OREGON, 97470.

ALL PREPARED CONTRACT DOCUMENTS MAY NOT BE COPIED, REPRODUCED, USED OR IMPLEMENTED IN ANY WAY, IN PART OR IN WHOLE, WITHOUT THE EXPRESS WRITTEN CONSENT OF FCC COMMERCIAL FURNITURE INC.

ANY UNAUTHORIZED USE OF THESE PLANS WILL RESULT IN PAYMENT DUE FOR SERVICES RENDERED BY FCC COMMERCIAL FURNITURE INC.

ANY DEVIATIONS FROM THESE DRAWINGS FOR ANY REASON SHALL NOT BE DONE WITHOUT CONSENT OF FCC COMMERCIAL FURNITURE INC. IN ADVANCE. IN WRITING. FCC COMMERCIAL FURNITURE IS NOT RESPONSIBLE FOR DEVIATIONS, CHANGES, ADDITIONS, OR DELETIONS NOT REVIEWED AND APPROVED IN ADVANCE BY FCC COMMERCIAL FURNITURE INC.

THESE DOCUMENTS REFLECT SPECIFIC SEATING AND DECOR EQUIPMENT ORDERED OF DATE SHOWN BELOW.

CLIENT:



Burger King

Grayson, KY
Decor: Garden Grill
Building Type: BK-2502

CUSTOMER
Ampler Development

SHEET TITLE:
INTERIOR BUILDING
ELEVATIONS

WORK ORDER NUMBER:

FINALS BY:

DRAWN BY:
AARON McCRAW

SCALE:

1/4" = 1'-0"

ORIGINAL DATE:

August 17, 2021

PLOT DATE:

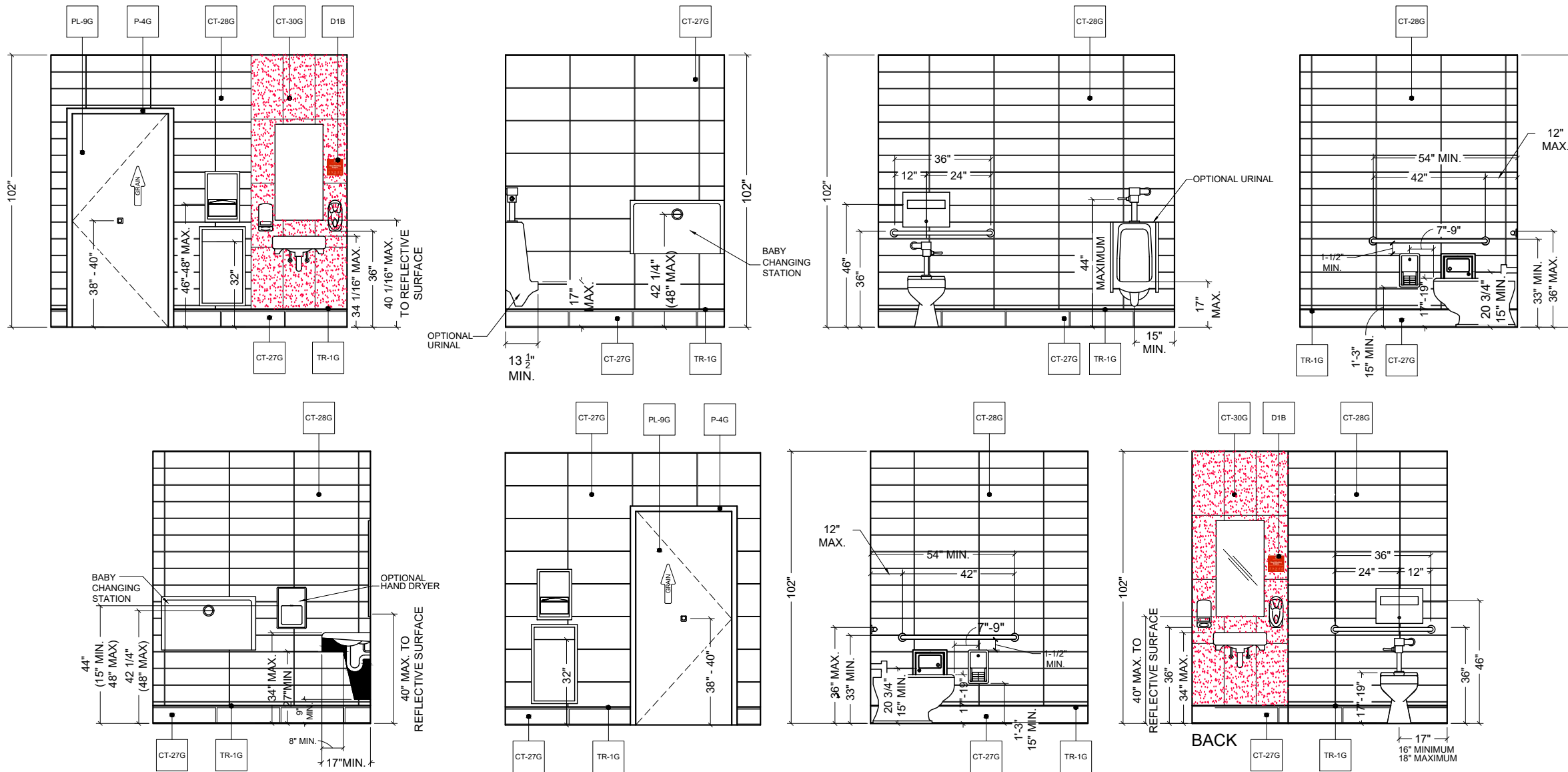
September 15, 2021

PROJECT #:

22524-001

SHEET #:

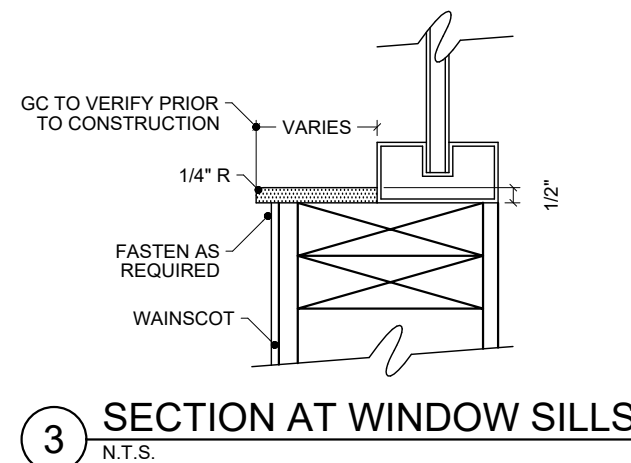
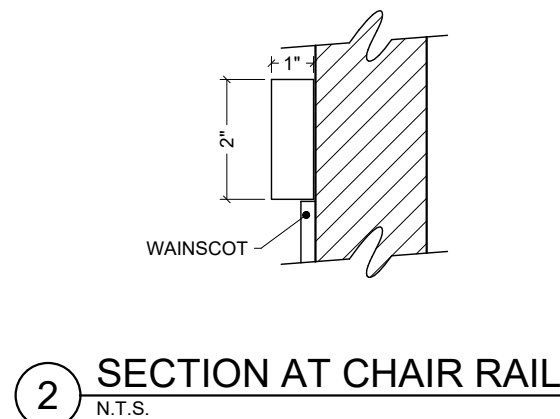
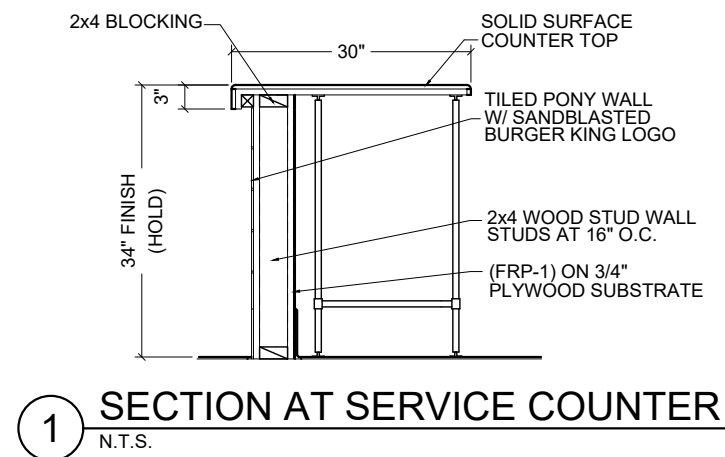
D2.3

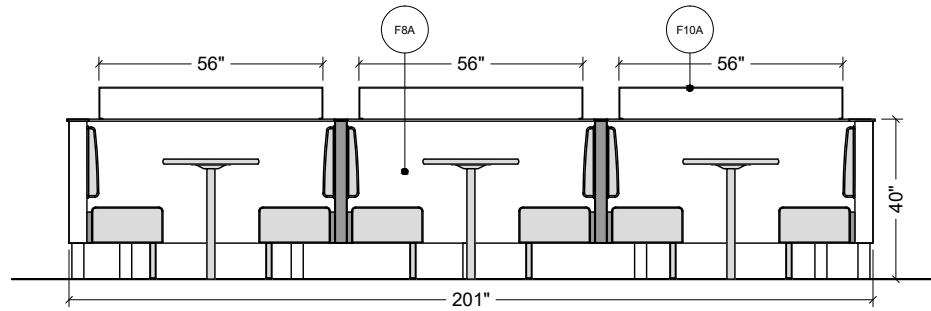


TYPICAL RESTROOM FINISH ELEVATIONS

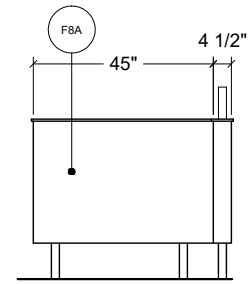
RE : WALL FINISH PLAN

NOTE:
REFER TO 20/20 GARDEN GRILL DECOR GUIDELINES FOUND AT DESIGNWITHBK.COM (INTERIOR DESIGN GUIDELINES) FOR REQUIRED RESTROOM GRAPHICS.

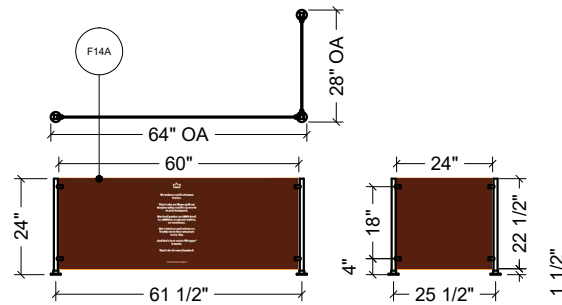




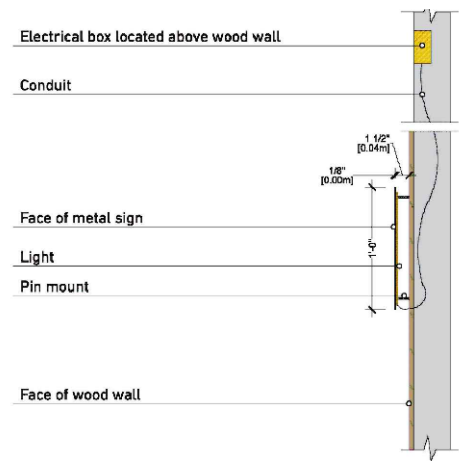
G ELEVATION
1/4" = 1'-0"



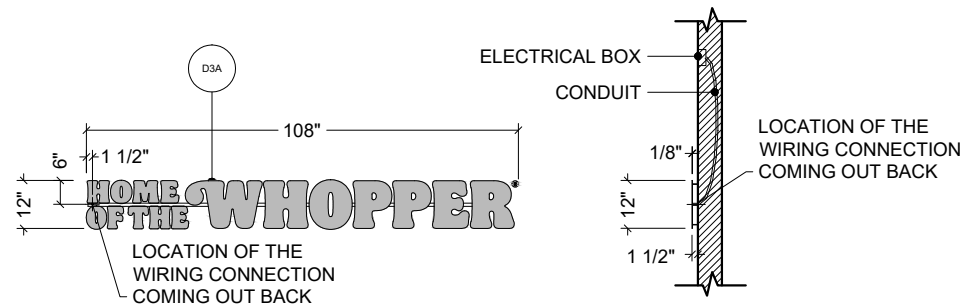
H ELEVATION
1/4" = 1'-0"
ELEVATION OCCURS (2) TIMES



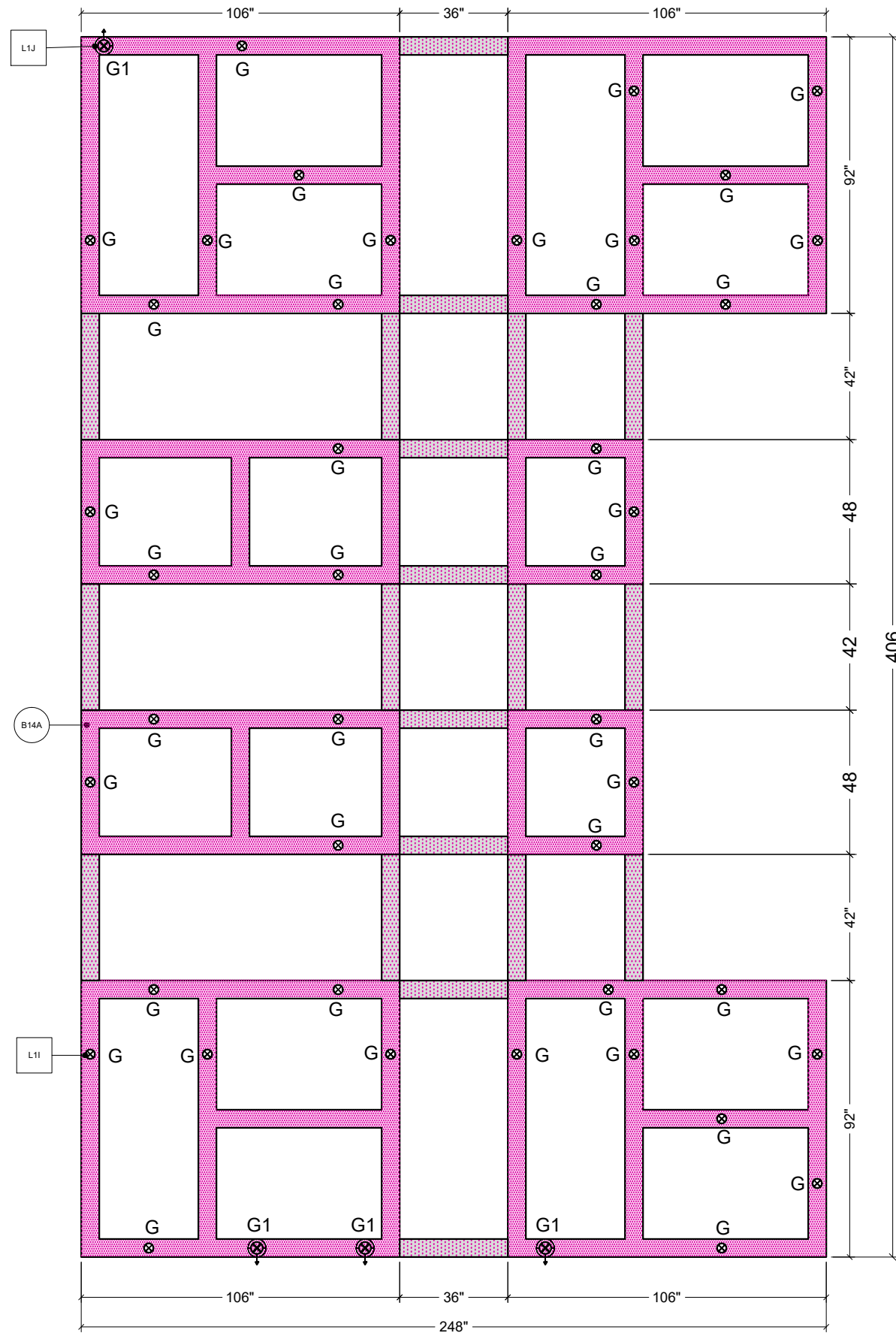
I DETAIL
1/4" = 1'-0"



HOTW Diagram



J DETAIL - HOME OF THE WHOPPER - BACKLIT
1/4" = 1'-0"



K DETAIL
1/4" = 1'-0"



FCC COMMERCIAL FURNITURE INC.
8452 OLD HWY 99 N. ROSEBURG, OR 97470 USA
T: 800.322.7328 | F: 541.673.7441 | WWW.FCCFURN.COM
DESIGNED AND BUILT IN U.S.A.

PROPERTY OF FCC COMMERCIAL FURNITURE
THIS IS A FOR DESIGN PURPOSE TO EXPRESS DESIGN
CONCEPTS TO THE ARCHITECT, CLIENT, CONTRACTOR
AND INSTALLER FOR THE PROJECT SHOWN. THIS DESIGN
AND THE CONCEPTS HEREIN SHALL
NOT BE ALTERED OR USED AS CONSTRUCTION
DOCUMENTS. DO NOT REPRODUCE OR LEND WITHOUT
WRITTEN PERMISSION FROM FCC COMMERCIAL
FURNITURE INC.

IMPORTANT

WRITTEN DIMENSIONS HAVE PRECEDENCE OVER SCALE
IN ALL CASES.

DO NOT SCALE OFF PLANS. CONTACT FCC COMMERCIAL
FURNITURE'S REPRESENTATIVE TO VERIFY ANY
QUESTIONABLE DIMENSIONS AT TELEPHONE #
800.322.7328

THE GENERAL CONTRACTOR MUST VERIFY ALL BUILDING
DIMENSIONS, EQUIPMENT, FURNITURE PLACEMENT,
UTILITY LOCATIONS, AND CONDITIONS AT THE JOB SITE.

THE GENERAL CONTRACTOR MUST NOTIFY FCC
COMMERCIAL FURNITURE OF ALL DISCREPANCIES
AND/OR REQUIRED ADJUSTMENTS PRIOR TO STARTING
WORK.

FCC COMMERCIAL FURNITURE HAS PREPARED THESE
DOCUMENTS AS ACCURATELY AS POSSIBLE WITH THE
ARCHITECTURAL INFORMATION PROVIDED. DUE TO LACK
OF ACCURATE AND COMPLETE DIMENSIONED
ARCHITECTURAL PLANS, OWNER UNDERSTANDS THAT
ADJUSTMENTS TO THE FINAL LOCATIONS OF EQUIPMENT
AND/OR FURNITURE PLACEMENT MAY BE REQUIRED AT
THE OWNER'S EXPENSE DUE TO DISCREPANCIES BASED
ON ACTUAL JOB SITE DIMENSIONS AND CONDITIONS.

REFER TO ARCHITECTURAL OR ENGINEER DRAWINGS
FOR COMPLETE AND ACCURATE DIMENSIONS OF
BUILDING STRUCTURE.

THESE CONTRACT DOCUMENTS AND THE INFORMATION
THEY CONTAIN ARE THE PROPERTY OF FCC COMMERCIAL
FURNITURE INC., ROSEBURG, OREGON, 97470.

ALL PREPARED CONTRACT DOCUMENTS MAY NOT BE
COPIED, REPRODUCED, USED OR IMPLEMENTED IN ANY
WAY, IN PART OR IN WHOLE, WITHOUT THE EXPRESS
WRITTEN CONSENT OF FCC COMMERCIAL FURNITURE INC.

ANY UNAUTHORIZED USE OF THESE PLANS WILL RESULT
IN PAYMENT DUE FOR SERVICES RENDERED BY FCC
COMMERCIAL FURNITURE INC.

ANY DEVIATIONS FROM THESE DRAWINGS FOR ANY
REASON SHALL NOT BE DONE WITHOUT CONSENT OF FCC
COMMERCIAL FURNITURE INC. IN ADVANCE. IN WRITING.
FCC COMMERCIAL FURNITURE IS NOT RESPONSIBLE FOR
DEVIATIONS, CHANGES, ADDITIONS, OR DELETIONS NOT
REVIEWED AND APPROVED IN ADVANCE BY FCC
COMMERCIAL FURNITURE INC.

THESE DOCUMENTS REFLECT SPECIFIC SEATING AND
DECOR EQUIPMENT ORDERED OF DATE SHOWN BELOW.

CLIENT:



Burger King
Grayson, KY
Decor: Garden Grill
Building Type: BK-2502

CUSTOMER
Ampler Development

SHEET TITLE:
DECOR
ELEVATIONS

WORK ORDER NUMBER:

FINALS BY:

DRAWN BY:
AARON McCRAW
SCALE:

1/4" = 1'-0"

ORIGINAL DATE:
August 17, 2021

PLOT DATE:
September 15, 2021

PROJECT #:
22524-001

SHEET #:
D3.0



FCC COMMERCIAL FURNITURE INC.
8452 OLD HWY 99 N. ROSEBURG, OR 97470 USA
T: 800.322.7328 | F: 541.673.7441 | WWW.FCCFURN.COM
DESIGNED AND BUILT IN U.S.A.

PROPERTY OF FCC COMMERCIAL FURNITURE
THIS IS A FOR DESIGN PURPOSE TO EXPRESS DESIGN
CONCEPTS TO THE ARCHITECT, CLIENT, CONTRACTOR
AND INSTALLER FOR THE PROJECT SHOWN. THIS DESIGN
AND THE CONCEPTS HEREIN SHALL
NOT BE ALTERED OR USED AS CONSTRUCTION
DOCUMENTS. DO NOT REPRODUCE OR LEND WITHOUT
WRITTEN PERMISSION FROM FCC COMMERCIAL
FURNITURE INC.

IMPORTANT

WRITTEN DIMENSIONS HAVE PRECEDENCE OVER SCALE
IN ALL CASES.

DO NOT SCALE OFF PLANS. CONTACT FCC COMMERCIAL
FURNITURE'S REPRESENTATIVE TO VERIFY ANY
QUESTIONABLE DIMENSIONS AT TELEPHONE #
800.322.7328

THE GENERAL CONTRACTOR MUST VERIFY ALL BUILDING
DIMENSIONS, EQUIPMENT, FURNITURE PLACEMENT,
UTILITY LOCATIONS, AND CONDITIONS AT THE JOB SITE.

THE GENERAL CONTRACTOR MUST NOTIFY FCC
COMMERCIAL FURNITURE OF ALL DISCREPANCIES
AND/OR REQUIRED ADJUSTMENTS PRIOR TO STARTING
WORK.

FCC COMMERCIAL FURNITURE HAS PREPARED THESE
DOCUMENTS AS ACCURATELY AS POSSIBLE WITH THE
ARCHITECTURAL INFORMATION PROVIDED. DUE TO LACK
OF ACCURATE AND COMPLETE DIMENSIONED
ARCHITECTURAL PLANS, OWNER UNDERSTANDS THAT
ADJUSTMENTS TO THE FINAL LOCATIONS OF EQUIPMENT
AND/OR FURNITURE PLACEMENT MAY BE REQUIRED AT
THE OWNER'S EXPENSE DUE TO DISCREPANCIES BASED
ON ACTUAL JOB SITE DIMENSIONS AND CONDITIONS.

REFER TO ARCHITECTURAL OR ENGINEER DRAWINGS
FOR COMPLETE AND ACCURATE DIMENSIONS OF
BUILDING STRUCTURE.

THESE CONTRACT DOCUMENTS AND THE INFORMATION
THEY CONTAIN ARE THE PROPERTY OF FCC COMMERCIAL
FURNITURE INC., ROSEBURG, OREGON, 97470.

ALL PREPARED CONTRACT DOCUMENTS MAY NOT BE
COPIED, REPRODUCED, USED OR IMPLEMENTED IN ANY
WAY, IN PART OR IN WHOLE, WITHOUT THE EXPRESS
WRITTEN CONSENT OF FCC COMMERCIAL FURNITURE INC.

ANY UNAUTHORIZED USE OF THESE PLANS WILL RESULT
IN PAYMENT DUE FOR SERVICES RENDERED BY FCC
COMMERCIAL FURNITURE INC.

ANY DEVIATIONS FROM THESE DRAWINGS FOR ANY
REASON SHALL NOT BE DONE WITHOUT CONSENT OF FCC
COMMERCIAL FURNITURE INC. IN ADVANCE. IN WRITING.
FCC COMMERCIAL FURNITURE IS NOT RESPONSIBLE FOR
DEVIATIONS, CHANGES, ADDITIONS, OR DELETIONS NOT
REVIEWED AND APPROVED IN ADVANCE BY FCC
COMMERCIAL FURNITURE INC.

THESE DOCUMENTS REFLECT SPECIFIC SEATING AND
DECOR EQUIPMENT ORDERED OF DATE SHOWN BELOW.

CLIENT:



Burger King

Grayson, KY
Decor: Garden Grill
Building Type: BK-2502

CUSTOMER
Amplifier Development

SHEET TITLE:
DECOR
ELEVATIONS

WORK ORDER NUMBER:

FINALS BY:

DRAWN BY:
AARON McCRAW
SCALE:

1/4" = 1'-0"

ORIGINAL DATE:

August 17, 2021

PLOT DATE:

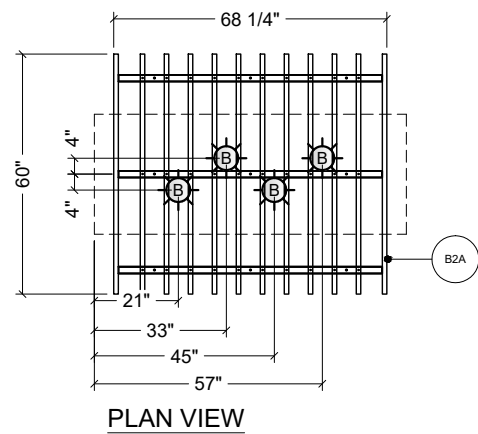
September 15, 2021

PROJECT #:

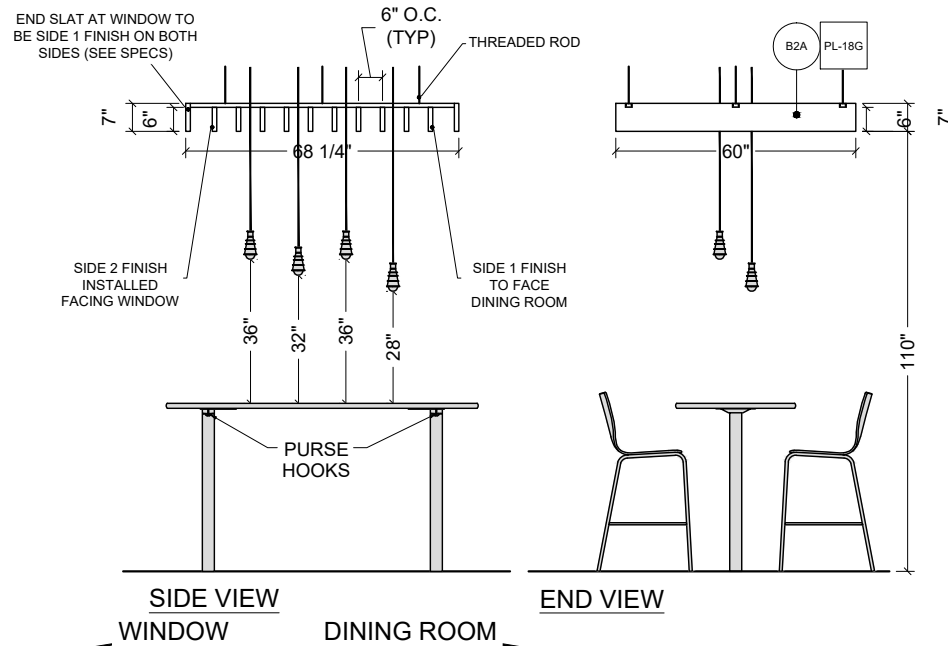
22524-001

SHEET #:

D3.1



-SIDE 1 FINISH: LAMINATE,
NEVAMAR WZ2001T
SANTA ROSA PLUM
-SIDE 2 FINISH: LAMINATE,
NEVAMAR SO3300 SD,
CAFE SIENNA

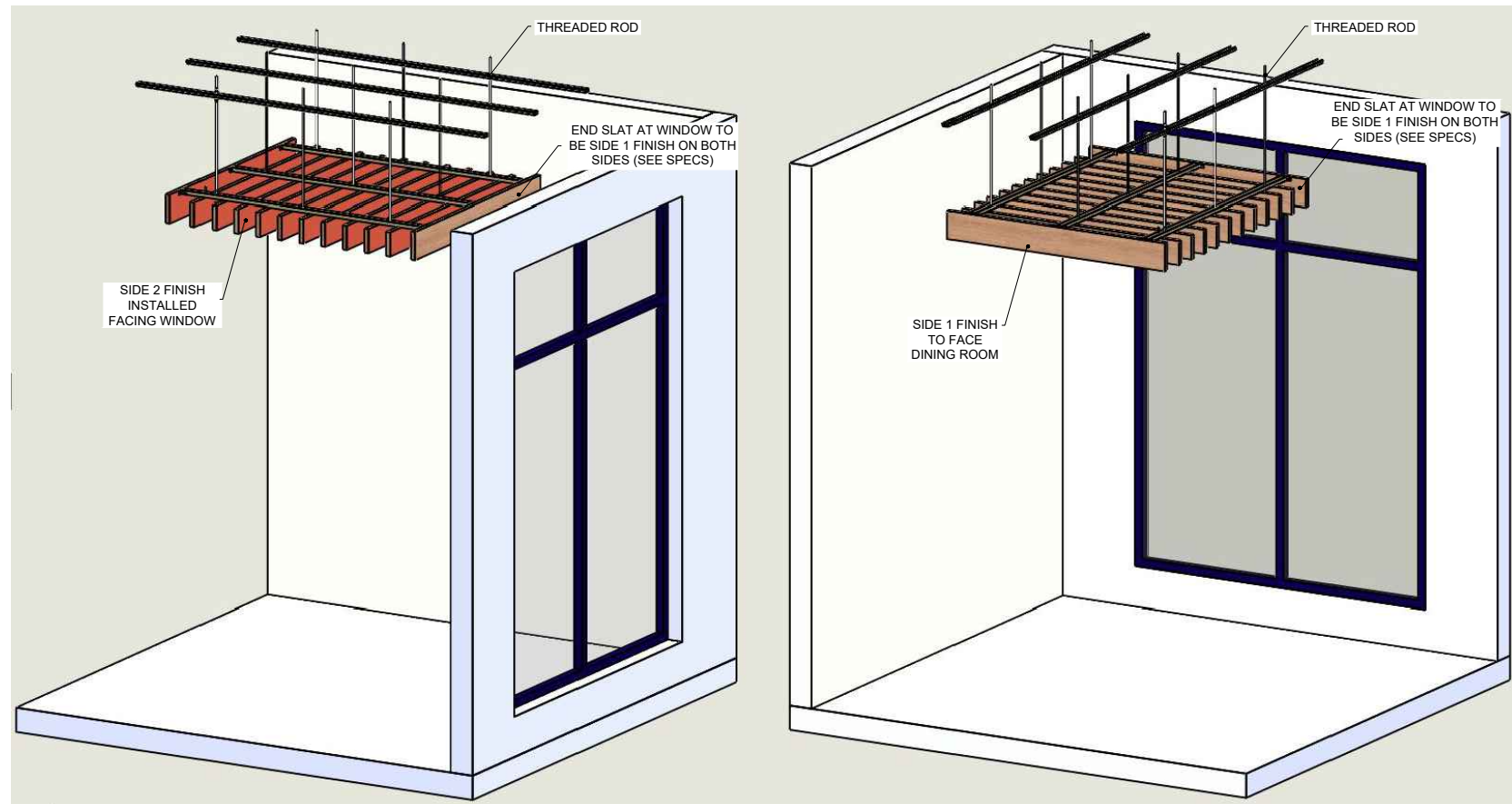


SIDE VIEW
WINDOW DINING ROOM

END VIEW

L DETAIL
1/4" = 1'-0"

ELEVATION OCCURS (2) TIMES



1 SLAT SOFFIT ORIENTATION
1/4" = 1'-0"



FCC COMMERCIAL FURNITURE INC.
8452 OLD HWY 99 N. ROSEBURG, OR 97470 USA
T: 800.322.7328 | F: 541.673.7441 | WWW.FCCFURN.COM
DESIGNED AND BUILT IN U.S.A.

PROPERTY OF FCC COMMERCIAL FURNITURE
THIS IS A FOR DESIGN PURPOSE TO EXPRESS DESIGN
CONCEPTS TO THE ARCHITECT, CLIENT, CONTRACTOR
AND INSTALLER FOR THE PROJECT SHOWN. THIS DESIGN
AND THE CONCEPTS HEREIN SHALL
NOT BE ALTERED OR USED AS CONSTRUCTION
DOCUMENTS. DO NOT REPRODUCE OR LEND WITHOUT
WRITTEN PERMISSION FROM FCC COMMERCIAL
FURNITURE INC.

IMPORTANT

WRITTEN DIMENSIONS HAVE PRECEDENCE OVER SCALE
IN ALL CASES.

DO NOT SCALE OFF PLANS. CONTACT FCC COMMERCIAL
FURNITURE'S REPRESENTATIVE TO VERIFY ANY
QUESTIONABLE DIMENSIONS AT TELEPHONE #
800.322.7328

THE GENERAL CONTRACTOR MUST VERIFY ALL BUILDING
DIMENSIONS, EQUIPMENT, FURNITURE PLACEMENT,
UTILITY LOCATIONS, AND CONDITIONS AT THE JOB SITE.

THE GENERAL CONTRACTOR MUST NOTIFY FCC
COMMERCIAL FURNITURE OF ALL DISCREPANCIES
AND/OR REQUIRED ADJUSTMENTS PRIOR TO STARTING
WORK.

FCC COMMERCIAL FURNITURE HAS PREPARED THESE
DOCUMENTS AS ACCURATELY AS POSSIBLE WITH THE
ARCHITECTURAL INFORMATION PROVIDED. DUE TO LACK
OF ACCURATE AND COMPLETE DIMENSIONED
ARCHITECTURAL PLANS, OWNER UNDERSTANDS THAT
ADJUSTMENTS TO THE FINAL LOCATIONS OF EQUIPMENT
AND/OR FURNITURE PLACEMENT MAY BE REQUIRED AT
THE OWNER'S EXPENSE DUE TO DISCREPANCIES BASED
ON ACTUAL JOB SITE DIMENSIONS AND CONDITIONS.

REFER TO ARCHITECTURAL OR ENGINEER DRAWINGS
FOR COMPLETE AND ACCURATE DIMENSIONS OF
BUILDING STRUCTURE.

THESE CONTRACT DOCUMENTS AND THE INFORMATION
THEY CONTAIN ARE THE PROPERTY OF FCC COMMERCIAL
FURNITURE INC., ROSEBURG, OREGON, 97470.

ALL PREPARED CONTRACT DOCUMENTS MAY NOT BE
COPIED, REPRODUCED, USED OR IMPLEMENTED IN ANY
WAY, IN PART OR IN WHOLE, WITHOUT THE EXPRESS
WRITTEN CONSENT OF FCC COMMERCIAL FURNITURE INC.

ANY UNAUTHORIZED USE OF THESE PLANS WILL RESULT
IN PAYMENT DUE FOR SERVICES RENDERED BY FCC
COMMERCIAL FURNITURE INC.

ANY DEVIATIONS FROM THESE DRAWINGS FOR ANY
REASON SHALL NOT BE DONE WITHOUT CONSENT OF FCC
COMMERCIAL FURNITURE INC. IN ADVANCE. IN WRITING.
FCC COMMERCIAL FURNITURE IS NOT RESPONSIBLE FOR
DEVIATIONS, CHANGES, ADDITIONS, OR DELETIONS NOT
REVIEWED AND APPROVED IN ADVANCE BY FCC
COMMERCIAL FURNITURE INC.

THESE DOCUMENTS REFLECT SPECIFIC SEATING AND
DECOR EQUIPMENT ORDERED OF DATE SHOWN BELOW.

CLIENT:



Burger King

Grayson, KY
Decor: Garden Grill
Building Type: BK-2502

CUSTOMER
Ampler Development

SHEET TITLE:
DINING ROOM
REFLECTED CEILING PLAN
WORK ORDER NUMBER:

FINALS BY:

DRAWN BY:
AARON McCRAW
SCALE:

3/16" = 1'-0"

ORIGINAL DATE:

August 17, 2021

PLOT DATE:

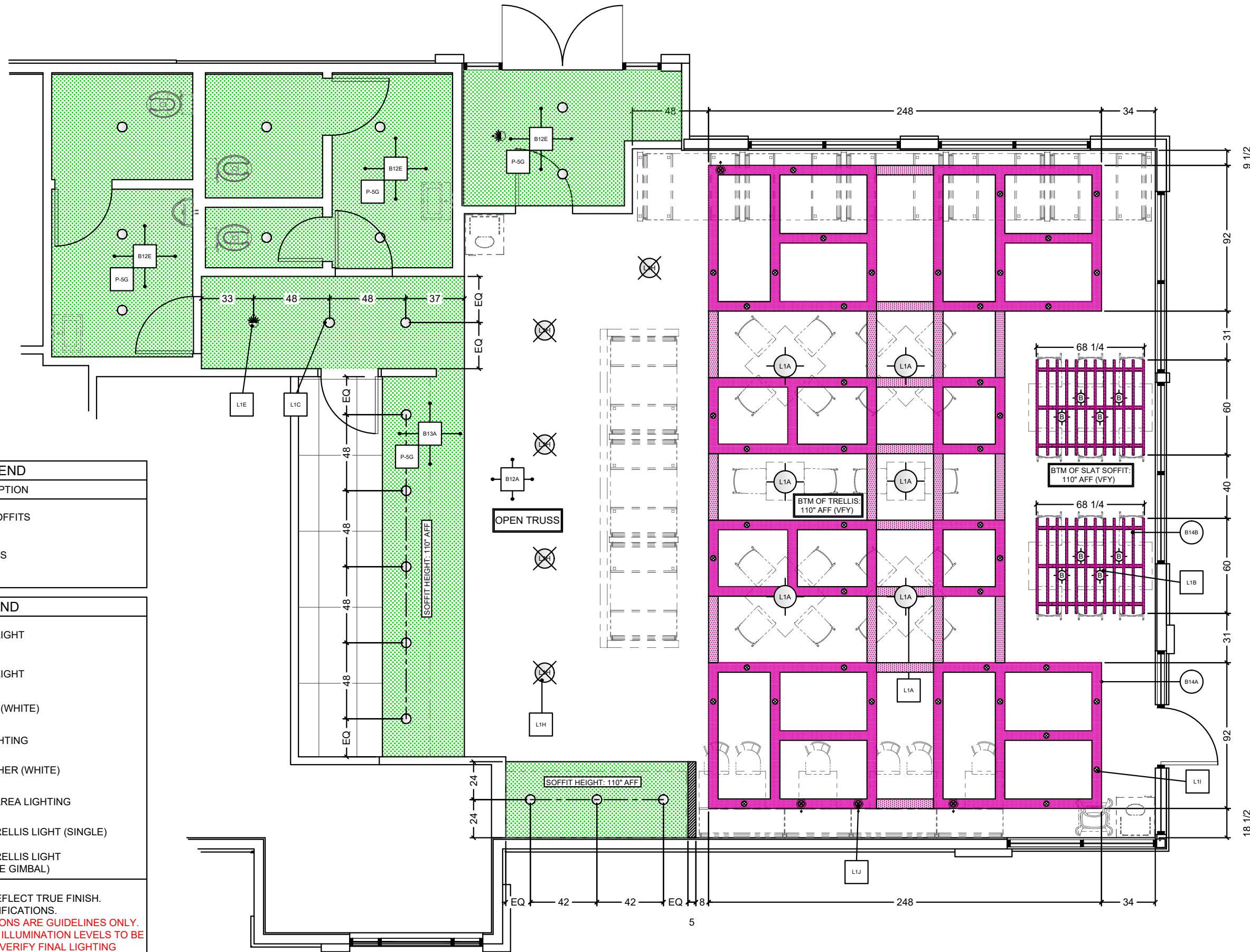
September 15, 2021

PROJECT #:

22524-001

SHEET #:

D4.0



CEILING LEGEND	
SYMBOL	SPEC / DESCRIPTION
	B14A B14B - DECOR SOFFITS (BY FCC)
	B12A - DECOR SOFFITS (BY GC)

LIGHTING LEGEND	
	L1A - PENDANT LIGHT
	L1B - PENDANT LIGHT
	L1C - CAN LIGHT (WHITE)
	L1G - TRACK LIGHTING
	L1E - WALL WASHER (WHITE)
	L1H - QUEUING AREA LIGHTING
	L1I - ACCENT TRELLIS LIGHT (SINGLE)
	L1J - ACCENT TRELLIS LIGHT (ADJUSTABLE GIMBAL)

NOTES:
-PATTERNS AND COLORS DO NOT REFLECT TRUE FINISH.
-SEE D8.0SERIES SHEETS FOR SPECIFICATIONS.
-FCC DECORATIVE LIGHTING LOCATIONS ARE GUIDELINES ONLY.
-GENERAL LIGHTING AND REQUIRED ILLUMINATION LEVELS TO BE COORDINATED WITH ARCHITECT TO VERIFY FINAL LIGHTING PLACEMENTS AND HVAC LOCATIONS.

L1A PENDANTS TO BE CENTERED OVER TABLE TOPS.
BOTTOM OF LIGHT @ 6'-6" AFF.

NOTE:
 -GENERAL CONTRACTOR IS RESPONSIBLE FOR SUPPLYING AND INSTALLING ALL BACK OF HOUSE TILE. REFER TO ARCHITECTURAL PLAN SET FOR FULL KITCHEN PLANS.



FCC COMMERCIAL FURNITURE INC.
 8452 OLD HWY 99 N, ROSEBURG, OR 97470 USA
 T: 800.322.7328 | F: 541.673.7441 | WWW.FCCFURN.COM
 DESIGNED AND BUILT IN U.S.A.

PROPERTY OF FCC COMMERCIAL FURNITURE
 THIS IS A FOR DESIGN PURPOSE TO EXPRESS DESIGN CONCEPTS TO THE ARCHITECT, CLIENT, CONTRACTOR AND INSTALLER FOR THE PROJECT SHOWN. THIS DESIGN AND THE CONCEPTS HEREIN SHALL NOT BE ALTERED OR USED AS CONSTRUCTION DOCUMENTS. DO NOT REPRODUCE OR LEND WITHOUT WRITTEN PERMISSION FROM FCC COMMERCIAL FURNITURE INC.

IMPORTANT

WRITTEN DIMENSIONS HAVE PRECEDENCE OVER SCALE IN ALL CASES.

DO NOT SCALE OFF PLANS. CONTACT FCC COMMERCIAL FURNITURE'S REPRESENTATIVE TO VERIFY ANY QUESTIONABLE DIMENSIONS AT TELEPHONE # 800.322.7328

THE GENERAL CONTRACTOR MUST VERIFY ALL BUILDING DIMENSIONS, EQUIPMENT, FURNITURE PLACEMENT, UTILITY LOCATIONS, AND CONDITIONS AT THE JOB SITE.

THE GENERAL CONTRACTOR MUST NOTIFY FCC COMMERCIAL FURNITURE OF ALL DISCREPANCIES AND/OR REQUIRED ADJUSTMENTS PRIOR TO STARTING WORK.

FCC COMMERCIAL FURNITURE HAS PREPARED THESE DOCUMENTS AS ACCURATELY AS POSSIBLE WITH THE ARCHITECTURAL INFORMATION PROVIDED. DUE TO LACK OF ACCURATE AND COMPLETE DIMENSIONED ARCHITECTURAL PLANS, OWNER UNDERSTANDS THAT ADJUSTMENTS TO THE FINAL LOCATIONS OF EQUIPMENT AND/OR FURNITURE PLACEMENT MAY BE REQUIRED AT THE OWNER'S EXPENSE DUE TO DISCREPANCIES BASED ON ACTUAL JOB SITE DIMENSIONS AND CONDITIONS.

REFER TO ARCHITECTURAL OR ENGINEER DRAWINGS FOR COMPLETE AND ACCURATE DIMENSIONS OF BUILDING STRUCTURE.

THESE CONTRACT DOCUMENTS AND THE INFORMATION THEY CONTAIN ARE THE PROPERTY OF FCC COMMERCIAL FURNITURE INC., ROSEBURG, OREGON, 97470.

ALL PREPARED CONTRACT DOCUMENTS MAY NOT BE COPIED, REPRODUCED, USED OR IMPLEMENTED IN ANY WAY, IN PART OR IN WHOLE, WITHOUT THE EXPRESS WRITTEN CONSENT OF FCC COMMERCIAL FURNITURE INC.

ANY UNAUTHORIZED USE OF THESE PLANS WILL RESULT IN PAYMENT DUE FOR SERVICES RENDERED BY FCC COMMERCIAL FURNITURE INC.

ANY DEVIATIONS FROM THESE DRAWINGS FOR ANY REASON SHALL NOT BE DONE WITHOUT CONSENT OF FCC COMMERCIAL FURNITURE INC. IN WRITING. FCC COMMERCIAL FURNITURE IS NOT RESPONSIBLE FOR DEVIATIONS, CHANGES, ADDITIONS, OR DELETIONS NOT REVIEWED AND APPROVED IN ADVANCE BY FCC COMMERCIAL FURNITURE INC.

THESE DOCUMENTS REFLECT SPECIFIC SEATING AND DECOR EQUIPMENT ORDERED OF DATE SHOWN BELOW.

CLIENT:



Burger King

Grayson, KY
 Decor: Garden Grill
 Building Type: BK-2502

CUSTOMER
 Ampler Development

SHEET TITLE:
 DINING ROOM
 FLOOR TILE PLAN

WORK ORDER NUMBER:

FINALS BY:

DRAWN BY:
 AARON McCRAW

SCALE:
 3/16" = 1'-0"

ORIGINAL DATE:
 August 17, 2021

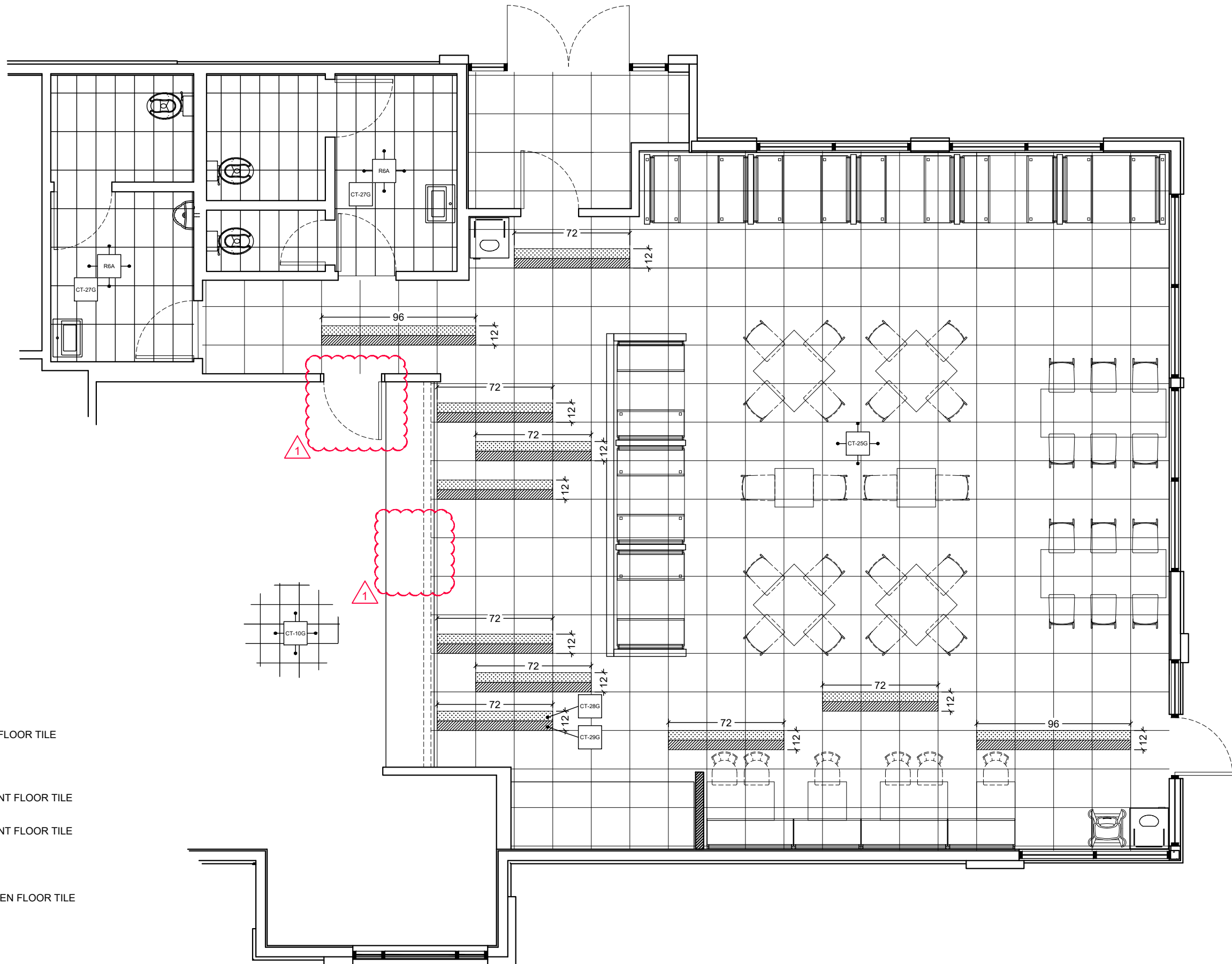
PLOT DATE:
 September 15, 2021

PROJECT #:
22524-001

SHEET #:
D5.0

LEGEND

	B1A CT-25G	MAIN FLOOR TILE
	B1B CT-28G	ACCENT FLOOR TILE
	B1C CT-29G	ACCENT FLOOR TILE
	B2B CT-10G	KITCHEN FLOOR TILE
	R6A CT-27G	RESTROOM FLOOR TILE (R6A)



NOTE:
 -GENERAL CONTRACTOR IS RESPONSIBLE FOR SUPPLYING AND INSTALLING ALL BACK OF HOUSE TILE. REFER TO ARCHITECTURAL PLAN SET FOR FULL KITCHEN PLANS.



FCC COMMERCIAL FURNITURE INC.
 8452 OLD HWY 99 N. ROSEBURG, OR 97470 USA
 T: 800.322.7328 | F: 541.673.7441 | WWW.FCCFURN.COM
 DESIGNED AND BUILT IN U.S.A.

PROPERTY OF FCC COMMERCIAL FURNITURE
 THIS IS A FOR DESIGN PURPOSE TO EXPRESS DESIGN CONCEPTS TO THE ARCHITECT, CLIENT, CONTRACTOR AND INSTALLER FOR THE PROJECT SHOWN. THIS DESIGN AND THE CONCEPTS HEREIN SHALL NOT BE ALTERED OR USED AS CONSTRUCTION DOCUMENTS. DO NOT REPRODUCE OR LEND WITHOUT WRITTEN PERMISSION FROM FCC COMMERCIAL FURNITURE INC.

IMPORTANT

WRITTEN DIMENSIONS HAVE PRECEDENCE OVER SCALE IN ALL CASES.

DO NOT SCALE OFF PLANS. CONTACT FCC COMMERCIAL FURNITURE'S REPRESENTATIVE TO VERIFY ANY QUESTIONABLE DIMENSIONS AT TELEPHONE # 800.322.7328

THE GENERAL CONTRACTOR MUST VERIFY ALL BUILDING DIMENSIONS, EQUIPMENT, FURNITURE PLACEMENT, UTILITY LOCATIONS, AND CONDITIONS AT THE JOB SITE.

THE GENERAL CONTRACTOR MUST NOTIFY FCC COMMERCIAL FURNITURE OF ALL DISCREPANCIES AND/OR REQUIRED ADJUSTMENTS PRIOR TO STARTING WORK.

FCC COMMERCIAL FURNITURE HAS PREPARED THESE DOCUMENTS AS ACCURATELY AS POSSIBLE WITH THE ARCHITECTURAL INFORMATION PROVIDED. DUE TO LACK OF ACCURATE AND COMPLETE DIMENSIONED ARCHITECTURAL PLANS, OWNER UNDERSTANDS THAT ADJUSTMENTS TO THE FINAL LOCATIONS OF EQUIPMENT AND/OR FURNITURE PLACEMENT MAY BE REQUIRED AT THE OWNER'S EXPENSE DUE TO DISCREPANCIES BASED ON ACTUAL JOB SITE DIMENSIONS AND CONDITIONS.

REFER TO ARCHITECTURAL OR ENGINEER DRAWINGS FOR COMPLETE AND ACCURATE DIMENSIONS OF BUILDING STRUCTURE.

THESE CONTRACT DOCUMENTS AND THE INFORMATION THEY CONTAIN ARE THE PROPERTY OF FCC COMMERCIAL FURNITURE INC., ROSEBURG, OREGON, 97470.

ALL PREPARED CONTRACT DOCUMENTS MAY NOT BE COPIED, REPRODUCED, USED OR IMPLEMENTED IN ANY WAY, IN PART OR IN WHOLE, WITHOUT THE EXPRESS WRITTEN CONSENT OF FCC COMMERCIAL FURNITURE INC.

ANY UNAUTHORIZED USE OF THESE PLANS WILL RESULT IN PAYMENT DUE FOR SERVICES RENDERED BY FCC COMMERCIAL FURNITURE INC.

ANY DEVIATIONS FROM THESE DRAWINGS FOR ANY REASON SHALL NOT BE DONE WITHOUT CONSENT OF FCC COMMERCIAL FURNITURE INC. IN ADVANCE. IN WRITING. FCC COMMERCIAL FURNITURE IS NOT RESPONSIBLE FOR DEVIATIONS, CHANGES, ADDITIONS, OR DELETIONS NOT REVIEWED AND APPROVED IN ADVANCE BY FCC COMMERCIAL FURNITURE INC.

THESE DOCUMENTS REFLECT SPECIFIC SEATING AND DECOR EQUIPMENT ORDERED OF DATE SHOWN BELOW.

CLIENT:



Burger King

Grayson, KY
 Decor: Garden Grill
 Building Type: BK-2502

CUSTOMER
 Ampler Development

SHEET TITLE:
 INTERIOR WALL FINISHES

WORK ORDER NUMBER:

FINALS BY:

DRAWN BY:
 AARON McCRAW

SCALE:

3/16" = 1'-0"

ORIGINAL DATE:

August 17, 2021

PLOT DATE:

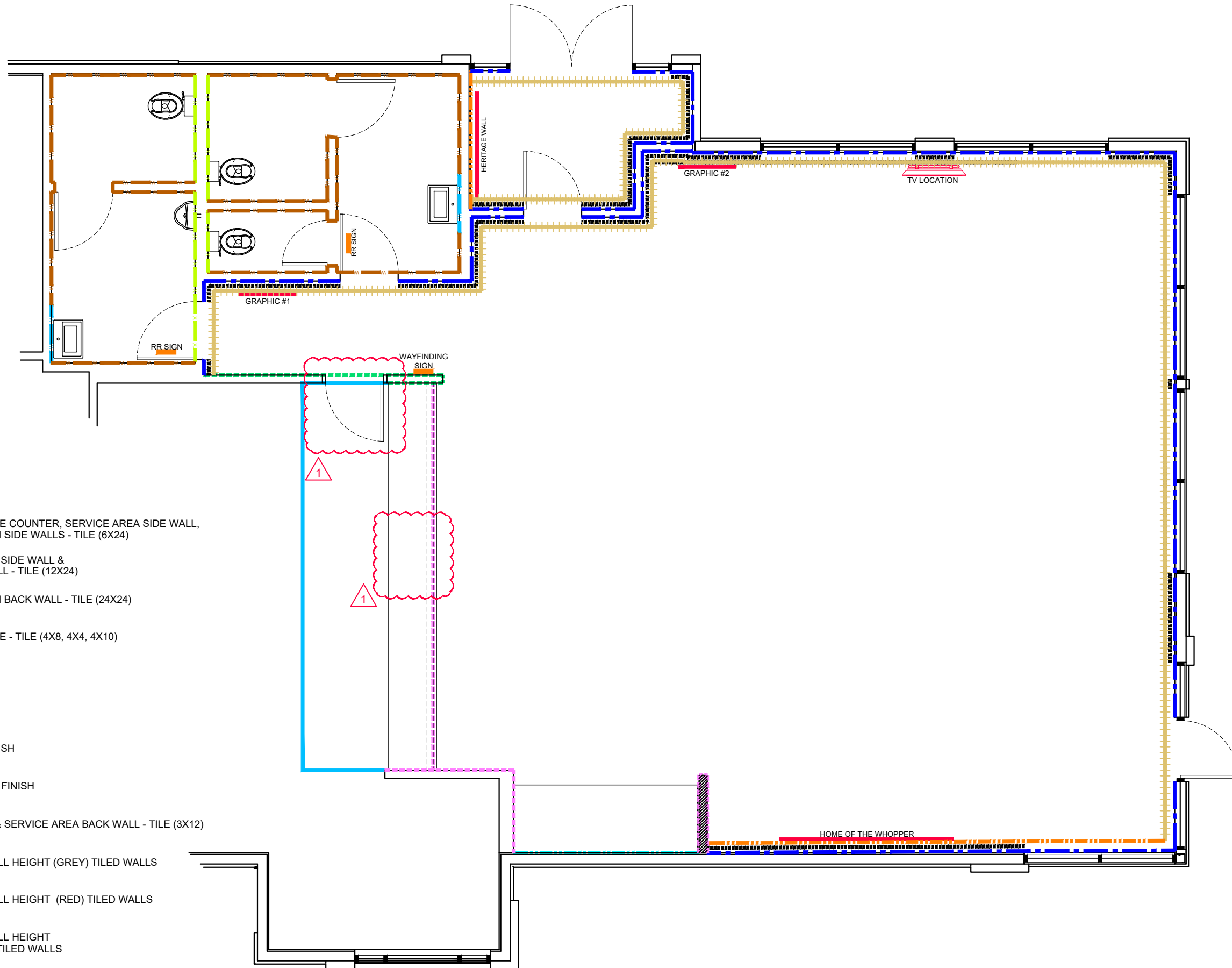
September 15, 2021

PROJECT #:

22524-001

SHEET #:

D6.0



LEGEND

- B3A CT-28G UNDER SERVICE COUNTER, SERVICE AREA SIDE WALL, DRINK STATION SIDE WALLS - TILE (6X24)
- B3B CT-27G SERVICE AREA SIDE WALL & CORRIDOR WALL - TILE (12X24)
- B3D CT-29G DRINK STATION BACK WALL - TILE (24X24)
- B4A FRP-1G BACK OF HOUSE - TILE (4X8, 4X4, 4X10)
- B5A WP-2G WAINSCOT
- B6A SS-8G CHAIR RAIL
- B7A P-15G MAIN WALL FINISH
- B8A BR-2G ACCENT BRICK FINISH
- B9A CT-31G MENU BOARD & SERVICE AREA BACK WALL - TILE (3X12)
- R7A CT-27G RESTROOM FULL HEIGHT (GREY) TILED WALLS
- R7B CT-30G RESTROOM FULL HEIGHT (RED) TILED WALLS
- R7C CT-28G RESTROOM FULL HEIGHT (WOOD LOOK) TILED WALLS
- GRAPHIC LOCATION
- DIRECTIONAL SIGNAGE



FCC COMMERCIAL FURNITURE INC.
 8452 OLD HWY 99 N. ROSEBURG, OR 97470 USA
 T: 800.322.7328 | F: 541.673.7441 | WWW.FCCFURN.COM
 DESIGNED AND BUILT IN U.S.A.

PROPERTY OF FCC COMMERCIAL FURNITURE
 THIS IS A FOR DESIGN PURPOSE TO EXPRESS DESIGN
 CONCEPTS TO THE ARCHITECT, CLIENT, CONTRACTOR
 AND INSTALLER FOR THE PROJECT SHOWN. THIS DESIGN
 AND THE CONCEPTS HEREIN SHALL
 NOT BE ALTERED OR USED AS CONSTRUCTION
 DOCUMENTS. DO NOT REPRODUCE OR LEND WITHOUT
 WRITTEN PERMISSION FROM FCC COMMERCIAL
 FURNITURE INC.

IMPORTANT

WRITTEN DIMENSIONS HAVE PRECEDENCE OVER SCALE
 IN ALL CASES.

DO NOT SCALE OFF PLANS. CONTACT FCC COMMERCIAL
 FURNITURE'S REPRESENTATIVE TO VERIFY ANY
 QUESTIONABLE DIMENSIONS AT TELEPHONE #
 800.322.7328

THE GENERAL CONTRACTOR MUST VERIFY ALL BUILDING
 DIMENSIONS, EQUIPMENT, FURNITURE PLACEMENT,
 UTILITY LOCATIONS, AND CONDITIONS AT THE JOB SITE.

THE GENERAL CONTRACTOR MUST NOTIFY FCC
 COMMERCIAL FURNITURE OF ALL DISCREPANCIES
 AND/OR REQUIRED ADJUSTMENTS PRIOR TO STARTING
 WORK.

FCC COMMERCIAL FURNITURE HAS PREPARED THESE
 DOCUMENTS AS ACCURATELY AS POSSIBLE WITH THE
 ARCHITECTURAL INFORMATION PROVIDED. DUE TO LACK
 OF ACCURATE AND COMPLETE DIMENSIONED
 ARCHITECTURAL PLANS, OWNER UNDERSTANDS THAT
 ADJUSTMENTS TO THE FINAL LOCATIONS OF EQUIPMENT
 AND/OR FURNITURE PLACEMENT MAY BE REQUIRED AT
 THE OWNER'S EXPENSE DUE TO DISCREPANCIES BASED
 ON ACTUAL JOB SITE DIMENSIONS AND CONDITIONS.

REFER TO ARCHITECTURAL OR ENGINEER DRAWINGS
 FOR COMPLETE AND ACCURATE DIMENSIONS OF
 BUILDING STRUCTURE.

THESE CONTRACT DOCUMENTS AND THE INFORMATION
 THEY CONTAIN ARE THE PROPERTY OF FCC COMMERCIAL
 FURNITURE INC., ROSEBURG, OREGON, 97470.

ALL PREPARED CONTRACT DOCUMENTS MAY NOT BE
 COPIED, REPRODUCED, USED OR IMPLEMENTED IN ANY
 WAY, IN PART OR IN WHOLE, WITHOUT THE EXPRESS
 WRITTEN CONSENT OF FCC COMMERCIAL FURNITURE INC.

ANY UNAUTHORIZED USE OF THESE PLANS WILL RESULT
 IN PAYMENT DUE FOR SERVICES RENDERED BY FCC
 COMMERCIAL FURNITURE INC.

ANY DEVIATIONS FROM THESE DRAWINGS FOR ANY
 REASON SHALL NOT BE DONE WITHOUT CONSENT OF FCC
 COMMERCIAL FURNITURE INC. IN ADVANCE. IN WRITING.
 FCC COMMERCIAL FURNITURE IS NOT RESPONSIBLE FOR
 DEVIATIONS, CHANGES, ADDITIONS, OR DELETIONS NOT
 REVIEWED AND APPROVED IN ADVANCE BY FCC
 COMMERCIAL FURNITURE INC.

THESE DOCUMENTS REFLECT SPECIFIC SEATING AND
 DECOR EQUIPMENT ORDERED OF DATE SHOWN BELOW.

CLIENT:



Burger King

Grayson, KY
 Decor: Garden Grill
 Building Type: BK-2502

CUSTOMER
 Ampler Development

SHEET TITLE:
 G.C. PROVIDED ITEMS
 AND DETAILS

WORK ORDER NUMBER:

FINALS BY:

DRAWN BY:
 AARON McCRAW
 SCALE:

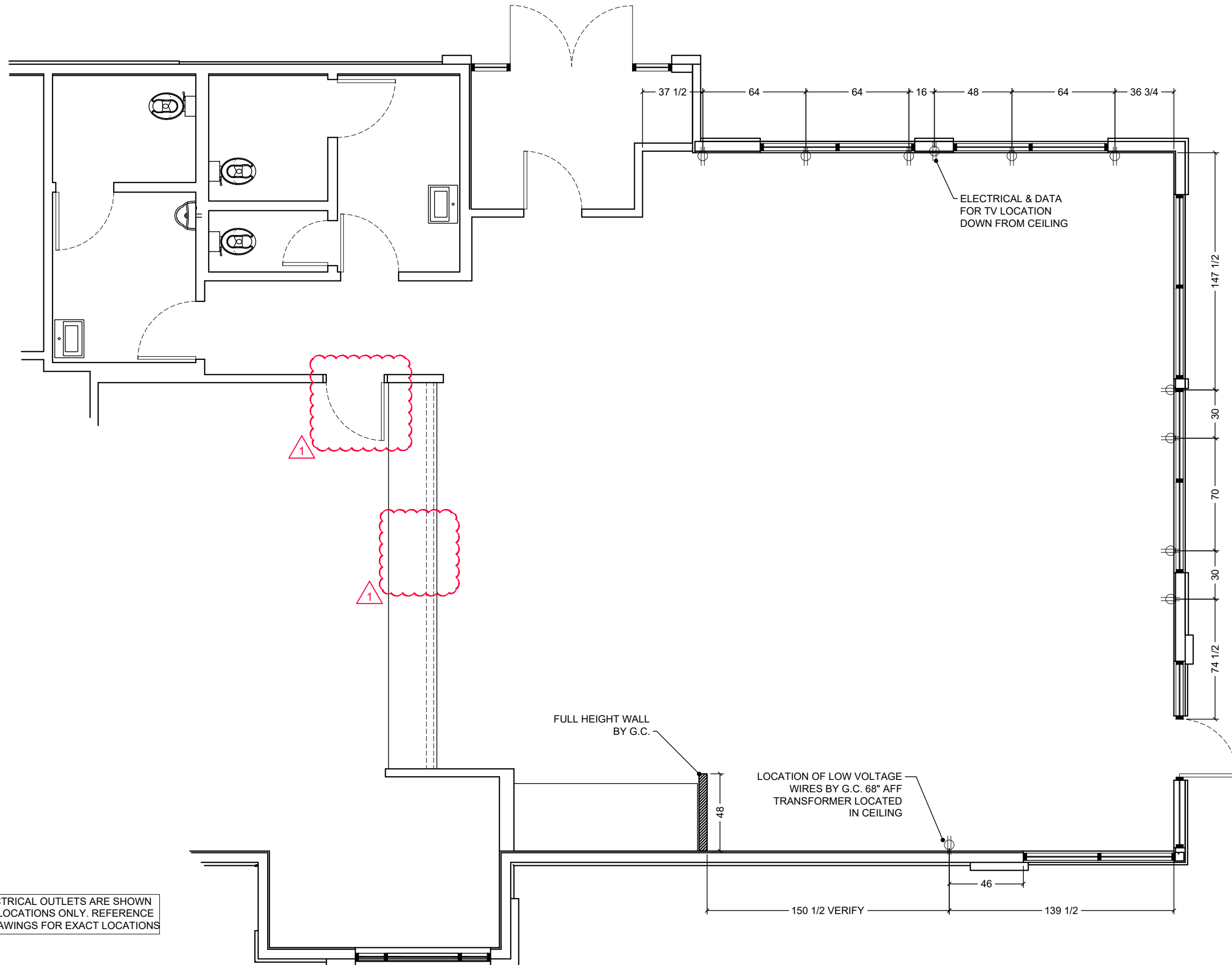
3/16" = 1'-0"

ORIGINAL DATE:
 August 17, 2021

PLOT DATE:
 September 15, 2021

PROJECT #:
22524-001

SHEET #:
D7.0



NOTE: ALL ELECTRICAL OUTLETS ARE SHOWN
 AS SUGGESTED LOCATIONS ONLY. REFERENCE
 ARCHITECTURAL DRAWINGS FOR EXACT LOCATIONS

Common Wayfinding Graphics

Required unless noted. Graphics may not always be applicable to all locations. Refer to décor plans for Image specific graphics.



FCC COMMERCIAL FURNITURE INC.
8452 OLD HWY 99 N. ROSEBURG, OR 97470 USA
T. 800.322.7328 | F. 541.673.7441 | WWW.FCCFURN.COM
DESIGNED AND BUILT IN U.S.A.

PROPERTY OF FCC COMMERCIAL FURNITURE
THIS IS A FOR DESIGN PURPOSE TO EXPRESS DESIGN CONCEPTS TO THE ARCHITECT, CLIENT, CONTRACTOR AND INSTALLER FOR THE PROJECT SHOWN. THIS DESIGN AND THE CONCEPTS HEREIN SHALL NOT BE ALTERED OR USED AS CONSTRUCTION DOCUMENTS. DO NOT REPRODUCE OR LEND WITHOUT WRITTEN PERMISSION FROM FCC COMMERCIAL FURNITURE INC.

IMPORTANT

WRITTEN DIMENSIONS HAVE PRECEDENCE OVER SCALE IN ALL CASES.

DO NOT SCALE OFF PLANS. CONTACT FCC COMMERCIAL FURNITURE'S REPRESENTATIVE TO VERIFY ANY QUESTIONABLE DIMENSIONS AT TELEPHONE # 800.322.7328

THE GENERAL CONTRACTOR MUST VERIFY ALL BUILDING DIMENSIONS, EQUIPMENT, FURNITURE PLACEMENT, UTILITY LOCATIONS, AND CONDITIONS AT THE JOB SITE.

THE GENERAL CONTRACTOR MUST NOTIFY FCC COMMERCIAL FURNITURE OF ALL DISCREPANCIES AND/OR REQUIRED ADJUSTMENTS PRIOR TO STARTING WORK.

FCC COMMERCIAL FURNITURE HAS PREPARED THESE DOCUMENTS AS ACCURATELY AS POSSIBLE WITH THE ARCHITECTURAL INFORMATION PROVIDED. DUE TO LACK OF ACCURATE AND COMPLETE DIMENSIONED ARCHITECTURAL PLANS, OWNER UNDERSTANDS THAT ADJUSTMENTS TO THE FINAL LOCATIONS OF EQUIPMENT AND/OR FURNITURE PLACEMENT MAY BE REQUIRED AT THE OWNER'S EXPENSE DUE TO DISCREPANCIES BASED ON ACTUAL JOB SITE DIMENSIONS AND CONDITIONS.

REFER TO ARCHITECTURAL OR ENGINEER DRAWINGS FOR COMPLETE AND ACCURATE DIMENSIONS OF BUILDING STRUCTURE.

THESE CONTRACT DOCUMENTS AND THE INFORMATION THEY CONTAIN ARE THE PROPERTY OF FCC COMMERCIAL FURNITURE INC., ROSEBURG, OREGON, 97470.

ALL PREPARED CONTRACT DOCUMENTS MAY NOT BE COPIED, REPRODUCED, USED OR IMPLEMENTED IN ANY WAY, IN PART OR IN WHOLE, WITHOUT THE EXPRESS WRITTEN CONSENT OF FCC COMMERCIAL FURNITURE INC.

ANY UNAUTHORIZED USE OF THESE PLANS WILL RESULT IN PAYMENT DUE FOR SERVICES RENDERED BY FCC COMMERCIAL FURNITURE INC.

ANY DEVIATIONS FROM THESE DRAWINGS FOR ANY REASON SHALL NOT BE DONE WITHOUT CONSENT OF FCC COMMERCIAL FURNITURE INC. IN ADVANCE. IN WRITING. FCC COMMERCIAL FURNITURE IS NOT RESPONSIBLE FOR DEVIATIONS, CHANGES, ADDITIONS, OR DELETIONS NOT REVIEWED AND APPROVED IN ADVANCE BY FCC COMMERCIAL FURNITURE INC.

THESE DOCUMENTS REFLECT SPECIFIC SEATING AND DECOR EQUIPMENT ORDERED OF DATE SHOWN BELOW.

CLIENT:



Burger King

Grayson, KY
Decor: Garden Grill
Building Type: BK-2502

CUSTOMER
Ampler Development

SHEET TITLE:
WAYFINDING SIGNAGE

WORK ORDER NUMBER:

FINALS BY:

DRAWN BY:
AARON McCRAW
SCALE:
NA

ORIGINAL DATE:
August 17, 2021

PLOT DATE:
September 15, 2021

PROJECT #:
22524-001

SHEET #:
D7.1

Wi-Fi



Freshly Sliced Onions

Freshly sliced onions and tomatoes every day.

Trash Bin Decals (optional)

Thank you! Recycle Compost



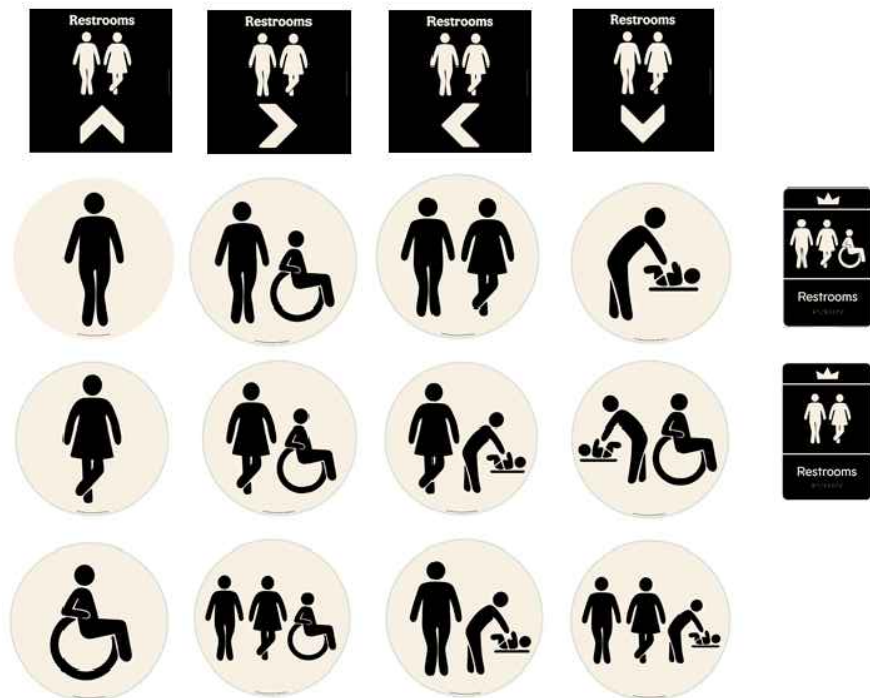
Tray Return



No Smoking (optional)



Restroom Wayfinding (selection varies based on store layout)



Hours of Operation



Door Push-Pull Decals



Exterior Billboard

(Not Applicable to Pavilion Bldg.)



Exterior Drive-Thru Panels

(selection varies based on allowable space)
(Not Applicable to Pavilion Bldg.)



The King is Calling Restroom Graphic



Crew Members Must Wash Hands



Approved Graphic Suppliers:

LSI Graphics
Email: Bk.Graphics@LSI-Corp.com
Phone: 330-494-9444

Moss Retail
2643 West Chicago Ave.
Chicago, IL 60622
Contact: DJ Scandiff; (773) 435-7600 ext. 617
Contact: Rob Lorts; (773) 435-7600 Ext. 655
Order e-mail: BK@mossinc.com

VGS, Inc.
1696 Mabry Mill Dr., SW
North Canton, OH 44709
Contact: Greg Moroz; (201) 528-9680
Order e-mail: burgerking@vgs-inc.com

APA Color Graphics
2929 Pacific Drive
Norcross, GA 30071
Contact: Tony Tantillo; (404) 355-1355
Email: tony@apacolorgraphics.com; BKOrders@apacolorgraphics.com



FCC COMMERCIAL FURNITURE INC.
8452 OLD HWY 99 N, ROSEBURG, OR 97470 USA
T. 800.322.7328 | F. 541.673.7441 | WWW.FCCFURN.COM
DESIGNED AND BUILT IN U.S.A.



Customer: Ampler Development
Store: Burger King
Location: Grayson, KY
Project Number: 22524-001
Designer: ALM
Sales: Randy Moe
Date: 08/30/21
Décor: Garden Grill

Environmentally Friendly Finishes by FCC Standards
 Greenguard Certified (Low VOC)
 SCS Certified Recycled Content
 PVC Free Upholstery
 Crypton Green Upholstery

Additional Notes
V 06.14.21

Specifications are for REFERENCE ONLY and are current from the date of the last revision. See architectural for updated information. Contact FCC immediately with any modifications to building finishes.

Furniture Items			Supplier		Installer		BK	Notes
Item	Description	Finish	FCC	Others	FCC	Others	Codes	
F1A	Standard Height Perimeter Booths (wall incl.)	Style: Blaze Booth (40" H Wall) 1/2" Top Cap (No Drop): Solid Surface Corian, Deep Nocturne (matte finish) Booth Wall: Laminate, Nevamar N/WF0011T Macchiato (grain) Edge Trim: Rehau, Match to Macchiato CP41002 Booth Seat: Vinyl, Maharam Lariat 440401, 010 Taupe 17.5" Back Pad: Vinyl, Maharam Lariat 440401, 007 Oyster Bottom Trim: 3MM Black PVC Booth Base: 1/8" Black ABS Crumb Trough Trim: Laminate, Pionite, Black SE101 Legs: Powdercoat, Blackened Steel	X			X	SS-8G PL-15G MEB-2G UPH-7G UPH-10G MF-1G	Nevamar Wood Grain to run vertically Clipped Down Hardware
F1B	Standard Height Settees (no wall)	Style: Blaze Settee Booth Seat: Vinyl, Maharam Lariat 440401, 010 Taupe 17.5" Back Pad: Vinyl, Maharam Lariat 440401, 007 Oyster Crumb Trough Trim: Laminate, Pionite, Black SE101 Bottom Trim: 3MM Black PVC Booth Base: 1/8" Black ABS Legs: Powdercoat, Blackened Steel	X			X	UPH-7G UPH-10G PL-19G MF-1G	Nevamar Wood Grain to run vertically Clipped Down Hardware
F2A	Table Tops (at booths/ settees)	Style: T0025 (1/8"R) 1 5/16" Thick Top: Laminate, Nevamar WK0017T Venerable Old Oak (grain) Edge: Rehau 592E Multiplex 1-5/16"	X			X	PL-9G MEB-1G	All VBE seams to be placed against walls where possible Arrows on floor plan denote table grain location.
F2B	Table Tops (center)	Style: T0027 R (1/8"R) 3 Equal Stripes 1 5/16" Thick Top: Left Stripe: Laminate, Nevamar WZ2001T Santa Rosa Plum Tree (grain) Middle Stripe: Laminate, Nevamar N/WF0011T Macchiato (grain) Right Stripe: Laminate, Nevamar WF0013T Carmel Macchiato Suede (grain) Edge: Rehau 592E Multiplex 1-5/16"	X			X	PL-16G PL-15G PL-17G MEB-1G	Pionite/Wilsonart Table F2B is only applicable on tables in the center of the store
F2C	Coffee Tables (at lounge)	Not Applicable						

Furniture Items			Supplier		Installer		BK	Notes
Item	Description	Finish	FCC	Others	FCC	Others	Codes	
F3A	Community Table	Style: Stained Wood Community Table NO BK Logo Top Thickness: 1 3/4" Finish: American Light Oak with Lightly Toasted Satin Varnish Purse Hooks: Antique Bronze	X			X	NA	Supplier: CMI (Com. Int. Manu.) Contact: 706.253.4755 Rep: Austin Holan Quantity of Hooks: 6 for an 8 seater 4 for a 6 seater
F4A	Bar Height Seats	Style: Isabel Barstool Model: 8019-CMC Chair Back & Seat: Laminate, Match PL-17G Caramel Macchiato Frame Finish: Powdercoat, Blackened Steel Glides: Black	X			X	PL-17G MF-1G	Contact: 323.319.2722 Rep: Barry Woon Supplier: Twenty Four 7
F5A	Standard Height Seats (center)	Style: Isabel Chair Model: 8018-CMC Chair Back & Seat: Laminate, Match PL-17G Caramel Macchiato Frame Finish: Powdercoat, Blackened Steel Glides: Black	X			X	PL-17G MF-1G	Contact: 323.319.2722 Rep: Barry Woon Supplier: Twenty Four 7
F5B	Standard Height Seats (settee seats)	Style: Bronze Gale Standard Chair Model: 80-014-211-9 Chair Back & Seat: Laser Cut Steel with Bronze Powdercoat Glides: Rubber	X			X	NA	Contact: 323.319.2722 Rep: Barry Woon Supplier: Twenty Four 7
F5C	Standard Height Lounge Chairs	Not Applicable						
F6A	High Chairs	Manufacturer: Rubbermaid Style: Sturdy Chair FG-7805, Green Material: Molded Plastic ASTM F404-04		X		X		
F7A	Metal Work	Color: Blackened Steel (Square Steel)	X			X	MF-1G	* Tile grout by GC after steel is installed (typ.)
F8A	Divider Walls	Style: W0002 1/2" Top Cap (No Drop): Solid Surface Corian, Deep Nocturne (matte finish) Sides: Laminate, Nevamar N/WF0011T Macchiato (grain) Height To Top: 40" Height to Bottom: 9" Core-Drilled: Powdercoat, Blackened Steel	X			X	SS-8G PL-15G MEB-2G MF-1G	Corian/Nevamar
F9A	Décor Screens (Option A)	Not Applicable						
F10A	Low Décor Screen	Style: FDWS0081, Metal Frame Finish: Powdercoat, Statuary Bronze, 038/60080	X			X		For use on divider wall across from Service Counter

PROPERTY OF FCC COMMERCIAL FURNITURE
THIS IS A FOR DESIGN PURPOSE TO EXPRESS DESIGN CONCEPTS TO THE ARCHITECT, CLIENT, CONTRACTOR AND INSTALLER FOR THE PROJECT SHOWN. THIS DESIGN AND THE CONCEPTS HEREIN SHALL NOT BE ALTERED OR USED AS CONSTRUCTION DOCUMENTS. DO NOT REPRODUCE OR LEND WITHOUT WRITTEN PERMISSION FROM FCC COMMERCIAL FURNITURE INC.

IMPORTANT
WRITTEN DIMENSIONS HAVE PRECEDENCE OVER SCALE IN ALL CASES.

DO NOT SCALE OFF PLANS. CONTACT FCC COMMERCIAL FURNITURE'S REPRESENTATIVE TO VERIFY ANY QUESTIONABLE DIMENSIONS AT TELEPHONE # 800.322.7328

THE GENERAL CONTRACTOR MUST VERIFY ALL BUILDING DIMENSIONS, EQUIPMENT, FURNITURE PLACEMENT, UTILITY LOCATIONS, AND CONDITIONS AT THE JOB SITE.

THE GENERAL CONTRACTOR MUST NOTIFY FCC COMMERCIAL FURNITURE OF ALL DISCREPANCIES AND/OR REQUIRED ADJUSTMENTS PRIOR TO STARTING WORK.

FCC COMMERCIAL FURNITURE HAS PREPARED THESE DOCUMENTS AS ACCURATELY AS POSSIBLE WITH THE ARCHITECTURAL INFORMATION PROVIDED. DUE TO LACK OF ACCURATE AND COMPLETE DIMENSIONED ARCHITECTURAL PLANS, OWNER UNDERSTANDS THAT ADJUSTMENTS TO THE FINAL LOCATIONS OF EQUIPMENT AND/OR FURNITURE PLACEMENT MAY BE REQUIRED AT THE OWNER'S EXPENSE DUE TO DISCREPANCIES BASED ON ACTUAL JOB SITE DIMENSIONS AND CONDITIONS.

REFER TO ARCHITECTURAL OR ENGINEER DRAWINGS FOR COMPLETE AND ACCURATE DIMENSIONS OF BUILDING STRUCTURE.

THESE CONTRACT DOCUMENTS AND THE INFORMATION THEY CONTAIN ARE THE PROPERTY OF FCC COMMERCIAL FURNITURE INC., ROSEBURG, OREGON, 97470.

ALL PREPARED CONTRACT DOCUMENTS MAY NOT BE COPIED, REPRODUCED, USED OR IMPLEMENTED IN ANY WAY, IN PART OR IN WHOLE, WITHOUT THE EXPRESS WRITTEN CONSENT OF FCC COMMERCIAL FURNITURE INC.

ANY UNAUTHORIZED USE OF THESE PLANS WILL RESULT IN PAYMENT DUE FOR SERVICES RENDERED BY FCC COMMERCIAL FURNITURE INC.

ANY DEVIATIONS FROM THESE DRAWINGS FOR ANY REASON SHALL NOT BE DONE WITHOUT CONSENT OF FCC COMMERCIAL FURNITURE INC. IN ADVANCE. IN WRITING, FCC COMMERCIAL FURNITURE IS NOT RESPONSIBLE FOR DEVIATIONS, CHANGES, ADDITIONS, OR DELETIONS NOT REVIEWED AND APPROVED IN ADVANCE BY FCC COMMERCIAL FURNITURE INC.

THESE DOCUMENTS REFLECT SPECIFIC SEATING AND DECOR EQUIPMENT ORDERED OF DATE SHOWN BELOW.



Burger King
Grayson, KY
Decor: Garden Grill
Building Type: BK-2502

CUSTOMER
Ampler Development
SHEET TITLE:
SPECIFICATIONS

WORK ORDER NUMBER:

FINALS BY:

DRAWN BY:
AARON McCRAW
SCALE:


NTS

ORIGINAL DATE:
August 17, 2021

PLOT DATE:
September 15, 2021

PROJECT #:
22524-001

SHEET #:
D8.0

Furniture Items			Supplier		Installer		BK	Notes
Item	Description	Finish	FCC	Others	FCC	Others	Codes	
F11A	Cabinets (Condiment and Trash)	Style: Cube (33/44gal) Top w/Tray Bumpers: Solid Surface, Corian, Deep Nocturne (matte finish) Sides: Laminate, Nevamar WK0017T Venerable Old Oak (grain) Edge: Charter Black Access Door: Laminate, Nevamar WK0017T Venerable Old Oak (grain) Vinyl Signage: "Thank You" Door Edge Pull: Stainless Steel Base Style: Open With Casters - Roll Out Liners Base Color: UFB-551-S2 Matte Black	X			X	SS-8G PL-9G	Interior Trash Cabinet Laminate to Match Exterior Wood Grain to run vertically  Corian/Nevamar
F11B	Drink Station and Condiments	Top Finish: Stainless Steel Doors: Stainless Steel		X		X		Optional Top Finish: Solid Surface Avonite, BK Smoke #7885 Edge: 1-1/2" Square Drop Avonite Contact: 410.259.8508 Rep: Sandra Cohen, Aristech Additional supplier available
F11C	Coke Free-Style	Not Applicable						
F11D	Optional Sauce Bar	Not Applicable						
F12A	Service Counter	Style: Square Face (Eased Edge) Top Finish: Solid Surface Avonite, BK Smoke #7885 Edge: 1-1/2" Square Drop Front Drop: 3" Back Edge: 2" Note: Min. 14'-0" L to fit menuboards	X			X	SS-9G	
F13A	Queue Line	Not Applicable						
F14A	Smoothie Surround	Style: 3-Form with Post & Clips Front Panel: 3-Form, Varia Ecoresin, 1/4" gauge, Manifesto w/ brown bkgmd Side Panel: 3-Form, Varia Ecoresin, 1/4" Gauge, brown background only Panel Finish: Sandstone front & back Edge: Polished Post & Clip Hardware: Satin Nickel	X			X	R-1G	Sizes: 48" or 60"
F15A	POS Shroud (optional)	Not Applicable						

Miscellaneous Decor Items			Supplier		Installer		BK	Notes
Item	Description	Finish	FCC	Others	FCC	Others	Codes	
D1A	ADA RR Signs	Item: ADA/Braille Sign Mounted on Wall Next to Restroom Door		X		X		
D1B	Directional Signage (required)	1. Wayfinding Sign "Restrooms", 2. RR Door Signs-Circle of Man/Woman 3. Restroom - "Crew Members Must Wash" 4. Tray Return (as applicable)		X		X		Supplier: Refer to Drawings Contact: Refer to Drawings
D1C	Entry Signage (required)	Includes: Door Decal "Hours of Operation" Door Decal "Push/Pull"		X		X		Supplier: Refer to Drawings Contact: Refer to Drawings
D1D	Wi-Fi Decal (required)	Item: "Free Wi-Fi" vinyl decal Size: Varies Per Store		X		X		Supplier: Refer to Drawings Contact: Refer to Drawings
D1E	King is Calling RR Decal (required)	Not Applicable						
D2A	Heritage Wall Art (optional)	Style: Framed and Matted BK Heritage Images Color: Black & White		X		X		Supplier: Refer to Drawings Contact: Refer to Drawings Total Quantity: 7
D2B	Wall Art Collage	Not Applicable						
D2C	Manifesto Graphic	Not Applicable, see F14A						
D3A	Drink Station Wall Decals	Not Applicable						
D4A	Flat Screen	By Owner		X		X		
D5A	Wall Shelves	Not Applicable						
D5B	Graphic Panels (required)	Style: Black Metal Framed Print Size: 36"W x 48"H Refer to Drawings for Image Selections		X		X		Supplier: Refer to Drawings Contact: Refer to Drawings
D5C	Shelf Artwork (required*)	Not Applicable						
D5D	Shelf Artwork (required*)	Not Applicable						
D7A	Ordering Kiosk (Opt.)	Style: Express Order Qty.: 2 min.		X		X		Contact: bksales@xenial.com

PROPERTY OF FCC COMMERCIAL FURNITURE
THIS IS A FOR DESIGN PURPOSE TO EXPRESS DESIGN CONCEPTS TO THE ARCHITECT, CLIENT, CONTRACTOR AND INSTALLER FOR THE PROJECT SHOWN. THIS DESIGN AND THE CONCEPTS HEREIN SHALL NOT BE ALTERED OR USED AS CONSTRUCTION DOCUMENTS. DO NOT REPRODUCE OR LEND WITHOUT WRITTEN PERMISSION FROM FCC COMMERCIAL FURNITURE INC.

IMPORTANT
WRITTEN DIMENSIONS HAVE PRECEDENCE OVER SCALE IN ALL CASES.

DO NOT SCALE OFF PLANS. CONTACT FCC COMMERCIAL FURNITURE'S REPRESENTATIVE TO VERIFY ANY QUESTIONABLE DIMENSIONS AT TELEPHONE # 800.322.7328

THE GENERAL CONTRACTOR MUST VERIFY ALL BUILDING DIMENSIONS, EQUIPMENT, FURNITURE PLACEMENT, UTILITY LOCATIONS, AND CONDITIONS AT THE JOB SITE.

THE GENERAL CONTRACTOR MUST NOTIFY FCC COMMERCIAL FURNITURE OF ALL DISCREPANCIES AND/OR REQUIRED ADJUSTMENTS PRIOR TO STARTING WORK.

FCC COMMERCIAL FURNITURE HAS PREPARED THESE DOCUMENTS AS ACCURATELY AS POSSIBLE WITH THE ARCHITECTURAL INFORMATION PROVIDED. DUE TO LACK OF ACCURATE AND COMPLETE DIMENSIONED ARCHITECTURAL PLANS, OWNER UNDERSTANDS THAT ADJUSTMENTS TO THE FINAL LOCATIONS OF EQUIPMENT AND/OR FURNITURE PLACEMENT MAY BE REQUIRED AT THE OWNER'S EXPENSE DUE TO DISCREPANCIES BASED ON ACTUAL JOB SITE DIMENSIONS AND CONDITIONS.

REFER TO ARCHITECTURAL OR ENGINEER DRAWINGS FOR COMPLETE AND ACCURATE DIMENSIONS OF BUILDING STRUCTURE.

THESE CONTRACT DOCUMENTS AND THE INFORMATION THEY CONTAIN ARE THE PROPERTY OF FCC COMMERCIAL FURNITURE INC., ROSEBURG, OREGON, 97470.

ALL PREPARED CONTRACT DOCUMENTS MAY NOT BE COPIED, REPRODUCED, USED OR IMPLEMENTED IN ANY WAY, IN PART OR IN WHOLE, WITHOUT THE EXPRESS WRITTEN CONSENT OF FCC COMMERCIAL FURNITURE INC.

ANY UNAUTHORIZED USE OF THESE PLANS WILL RESULT IN PAYMENT DUE FOR SERVICES RENDERED BY FCC COMMERCIAL FURNITURE INC.

ANY DEVIATIONS FROM THESE DRAWINGS FOR ANY REASON SHALL NOT BE DONE WITHOUT CONSENT OF FCC COMMERCIAL FURNITURE INC. IN ADVANCE. IN WRITING, FCC COMMERCIAL FURNITURE IS NOT RESPONSIBLE FOR DEVIATIONS, CHANGES, ADDITIONS, OR DELETIONS NOT REVIEWED AND APPROVED IN ADVANCE BY FCC COMMERCIAL FURNITURE INC.

THESE DOCUMENTS REFLECT SPECIFIC SEATING AND DECOR EQUIPMENT ORDERED OF DATE SHOWN BELOW.

CLIENT:



Burger King
Grayson, KY
Decor: Garden Grill
Building Type: BK-2502

CUSTOMER
Ampler Development

SHEET TITLE:
SPECIFICATIONS

WORK ORDER NUMBER:

FINALS BY:

DRAWN BY:
AARON McCRAW
SCALE:
NTS

ORIGINAL DATE:
August 17, 2021

PLOT DATE:
September 15, 2021

PROJECT #:
22524-001

SHEET #:
D8.1



FCC COMMERCIAL FURNITURE INC.
8452 OLD HWY 99 N, ROSEBURG, OR 97470 USA
T. 800.322.7328 | F. 541.673.7441 | WWW.FCCFURN.COM
DESIGNED AND BUILT IN U.S.A.

PROPERTY OF FCC COMMERCIAL FURNITURE
THIS IS A FOR DESIGN PURPOSE TO EXPRESS DESIGN
CONCEPTS TO THE ARCHITECT, CLIENT, CONTRACTOR
AND INSTALLER FOR THE PROJECT SHOWN. THIS DESIGN
AND THE CONCEPTS HEREIN SHALL
NOT BE ALTERED OR USED AS CONSTRUCTION
DOCUMENTS. DO NOT REPRODUCE OR LEND WITHOUT
WRITTEN PERMISSION FROM FCC COMMERCIAL
FURNITURE INC.

IMPORTANT

WRITTEN DIMENSIONS HAVE PRECEDENCE OVER SCALE
IN ALL CASES.

DO NOT SCALE OFF PLANS. CONTACT FCC COMMERCIAL
FURNITURE'S REPRESENTATIVE TO VERIFY ANY
QUESTIONABLE DIMENSIONS AT TELEPHONE #
800.322.7328

THE GENERAL CONTRACTOR MUST VERIFY ALL BUILDING
DIMENSIONS, EQUIPMENT, FURNITURE PLACEMENT,
UTILITY LOCATIONS, AND CONDITIONS AT THE JOB SITE.

THE GENERAL CONTRACTOR MUST NOTIFY FCC
COMMERCIAL FURNITURE OF ALL DISCREPANCIES
AND/OR REQUIRED ADJUSTMENTS PRIOR TO STARTING
WORK.

FCC COMMERCIAL FURNITURE HAS PREPARED THESE
DOCUMENTS AS ACCURATELY AS POSSIBLE WITH THE
ARCHITECTURAL INFORMATION PROVIDED. DUE TO LACK
OF ACCURATE AND COMPLETE DIMENSIONED
ARCHITECTURAL PLANS, OWNER UNDERSTANDS THAT
ADJUSTMENTS TO THE FINAL LOCATIONS OF EQUIPMENT
AND/OR FURNITURE PLACEMENT MAY BE REQUIRED AT
THE OWNER'S EXPENSE DUE TO DISCREPANCIES BASED
ON ACTUAL JOB SITE DIMENSIONS AND CONDITIONS.

REFER TO ARCHITECTURAL OR ENGINEER DRAWINGS
FOR COMPLETE AND ACCURATE DIMENSIONS OF
BUILDING STRUCTURE.

THESE CONTRACT DOCUMENTS AND THE INFORMATION
THEY CONTAIN ARE THE PROPERTY OF FCC COMMERCIAL
FURNITURE INC., ROSEBURG, OREGON, 97470.

ALL PREPARED CONTRACT DOCUMENTS MAY NOT BE
COPIED, REPRODUCED, USED OR IMPLEMENTED IN ANY
WAY, IN PART OR IN WHOLE, WITHOUT THE EXPRESS
WRITTEN CONSENT OF FCC COMMERCIAL FURNITURE INC.

ANY UNAUTHORIZED USE OF THESE PLANS WILL RESULT
IN PAYMENT DUE FOR SERVICES RENDERED BY FCC
COMMERCIAL FURNITURE INC.

ANY DEVIATIONS FROM THESE DRAWINGS FOR ANY
REASON SHALL NOT BE DONE WITHOUT CONSENT OF FCC
COMMERCIAL FURNITURE INC. IN ADVANCE. IN WRITING,
FCC COMMERCIAL FURNITURE IS NOT RESPONSIBLE FOR
DEVIATIONS, CHANGES, ADDITIONS, OR DELETIONS NOT
REVIEWED AND APPROVED IN ADVANCE BY FCC
COMMERCIAL FURNITURE INC.

THESE DOCUMENTS REFLECT SPECIFIC SEATING AND
DECOR EQUIPMENT ORDERED OF DATE SHOWN BELOW.

CLIENT:



Burger King

Grayson, KY
Decor: Garden Grill
Building Type: BK-2502

CUSTOMER
Ampler Development

SHEET TITLE:
SPECIFICATIONS

WORK ORDER NUMBER:

FINALS BY:

DRAWN BY:
AARON McCRAW
SCALE:
NTS

ORIGINAL DATE:
August 17, 2021

PLOT DATE:
September 15, 2021

PROJECT #:
22524-001

SHEET #:
D8.2

Item	Description	Miscellaneous Decor Items Finish	Supplier		Installer		BK Codes	Notes
			FCC	Others	FCC	Others		
D8A	Metal Signage	1. Restroom Signage (optional) 2. Flame Grilling Since 1954 (required) (Mount at 70"H AFF on center)		X		X		Supplier: Nautical Furnishings Contact: Michael Hoglund; 954.771.1100
D8B	Metal Home of the Whopper LED Sign	Lettering: Aluminum, Powdercoat Flat Black Includes LED Lighting Size: 108"W x 12"H		X		X		Supplier: Nautical Furnishings Contact: Michael Hoglund; 954.771.1100 Bottom of sign at 68"H AFF
D8C	Order Here & Pick Up Here	Item: Acrylic Sign with White Metal Lettering Mounting: Chain Sign 1: Order Here, 18"W x 10"H Sign 2: Pick Up Here, 21"W x 10"H		X		X		Supplier: Refer to Drawings Contact: Refer to Drawings
D8D	Mobile Order Pick Up Here	Item: Acrylic Sign with Neon Lettering Size: 60"W x 20"H		X		X		Supplier: Nautical Furnishings or APA, refer to drawings for contact
D9A	Have It Your Way LED Sign (optional)	Not Applicable						
D9B	Brown Flame Grilling Crown Sign (optional)	Not Applicable						
D10A	Exterior Drive-Thru Image Panels (required)	Item: 40"W x 54"H Framed Posters Refer to Architecturals for Installation Information		X		X		Qty: 1, 2 or 3 (as space allows) Supplier: Refer to Drawings Contact: Refer to Drawings Not Applicable to Pavilion Bldg
D10B	Exterior Whopper Billboard (Optional)	Item: 120"W x 60"H Vinyl, (size may vary per site) Refer to Architecturals for Installation Information		X		X		Qty: 1 Supplier: Refer to Drawings Contact: Refer to Drawings Not Applicable to Pavilion Bldg

Item	Description	Interior Building Finishes Finish	Supplier		Installer		BK Codes	Notes
			FCC	Others	FCC	Others		
B1A	Main Floor Tile and Base Tile	Manufacturer: Eurowest Item: TCG2424027SQ (floor tile) Color: Simply Gray Honed (rectified) Size: 24"x24" (floor tile) Item: TCG1224027SQ (base tile) Color: Simply Gray Honed (rectified) Size: 6"x24" (cut from 12"x24" field tile) Grout: CBP, Fusion Pro Single Comp., #335 Winter Gray, 1/16"		X		X		Floor tile must exceed 0.42 SCOF Minimum (Dry and Wet) Standard per ASTM F1677-05. It must meet Corporate Approved Guidelines and follow ANSI A108.01 and A108.02. Install: Refer to Plans
B1B	Accent Floor Tile (Light Wood)	Manufacturer: Eurowest Item: IRG 0624123 (rectified) Color: Larch US (French Wood) Size: 6"x24" Grout: CBP, Fusion Pro Single Comp., #335 Winter Gray, 1/16"		X		X		Eurowest Contact: 714.309.9551 Rep: Jan Deter Additional supplier(s) available per BKC Finish Schedule
B1C	Accent Floor Tile (Dark Wood)	Manufacturer: Eurowest Item: IRG 0624122 (rectified) Color: Elm US (French Wood) Size: 6"x24" Grout: CBP, Fusion Pro Single Comp., #335 Winter Gray 1/16"		X		X		Grout Note: Prolite® Premium Large Format Tile Mortar, Rapid Set
B2A	Tile Base	See B1A, See Plans for Usage		X		X		See Also Architecturals for Details
B2B	Kitchen Floor Tile	Manufacturer: Eurowest Item: TCG1212142, Capitol Gray TX Tile Size: 12" x 12" Cove Base: TCG612C142-6" x 12' base TCG60C142-6" x 1" Comer Grout: CBP, Fusion Pro Single Comp., #370 Dove Gray, 1/8"Th		X		X		Eurowest Contact: 714.309.9551 Rep: Jan Deter Additional supplier(s) available per BKC Finish Schedule
B2C	Floor Transition Strip	Manufacturer: Schluter Systems Series: Transition Profiles for Floors Schiene (Radius) AE 100-R Finish: Satin Anodized Aluminum Size: 3/8"		X		X		Contact: 786-858-0010 Rep: Rosanna Ruiz
B2D	Floor to Wall Cove Trim (If required)	Manufacturer: Schluter Systems Item: Cove-Shaped Profile, DILEX-HKU Finish: Brushed Stainles Size: 3/8"		X		X		Note: For Use Only When Required by CA Health Dept. Contact: 786-858-0010 Rep: Rosanna Ruiz
B3A	Under Service Counter, Service Area Side Wall, Drink Station Side Walls	Manufacturer: Eurowest Item: IRG 0624123 (rectified) Color: Larch US (French Wood) Size: 6"x24" Grout: CBP, Fusion Pro Single Component, #145 Light Smoke, 1/16"Th		X		X		Install: Refer to décor elevations, No base tile Eurowest Contact: 714.309.9551 Rep: Jan Deter Additional supplier(s) available per BKC Finish Schedule
B3B	Tile at Service Area Side & Corridor Wall	Manufacturer: Eurowest Item: TCG1224027SQ Color: Simply Gray Honed (rectified) Size: 12"x24" Grout: CBP, Fusion Pro Single Comp., #335 Winter Gray 1/16"		X		X		Install: Horizontal stacked bond to floor - no base tile. Eurowest Contact: 714.309.9551 Rep: Jan Deter Additional supplier(s) available per BKC Finish Schedule Grout Note: Prolite® Premium Large Format Tile Mortar, Rapid Set
B3C	Accent Laminate at Service Area	Not Applicable						

Interior Building Finishes			Supplier		Installer		BK	Notes
Item	Description	Finish	FCC	Others	FCC	Others	Codes	
B3D	Tile at Back of Drink Station	Manufacturer: Eurowest Item: TCG2424027SQ Color: Simply Gray Honed (rectified) Size: 24"x24" Grout: CBP, Fusion Pro Single Comp., #335 Winter Gray 1/16"		X		X	CT-25G GR-15G	Install: Horizontal stacked bond to floor - no base tile. Eurowest Contact: 714.309.9551 Rep: Jan Deter Additional supplier(s) available per BKC Finish Schedule Grout Note: Prolite® Premium Large Format Tile Mortar, Rapid Set
B4A	Back of House	Manufacturer: Marlite Series: FRP Symmetrix, A916 G312R Panel Color: White/Black Core, No Top Coat (Grey Score Line) Trim: FRPMOLD BK Nickel Anodized Edge Trim: A570, 8' lengths O/S Trim: A560, 8' lengths I/S Trim: A551, 8' lengths Panel Sizes: 4'x8' or 4' x 10' Sealant: Gray Sealant 509, WM46651		X		X	FRP-1G TR-3G	Marlite Cust. Serv.: 330.343.6621 Rep: Anita Craig, acraig@marlite.com Option: White Subway Tile, See B9A
B5A	Wainscot (Lower Wall Surface)	Supplier/Item: Marlite, Allure Panel Color: Nevamar, WF001-T Macchiato Panel Size: 4' x 4' Trim: Match to Marlite Macchiato Adhesive: By Others	X			X	WP-2G	Install: Wood grain runs vertically Panel Qty (4' x 4'): 33 Panels Divider Trim AP-30N (9'): 11 Sticks Edge Trim AP-28N (9'): 19 Sticks I/C AP-32N (9'): 4 Sticks O/C AP-34N (9'): 3 Sticks
B6A	Chair Rail	Style: FDBC084 Material: Solid Surface, Corian, Deep Nocturne Size: 1" x 2"	X			X	SS-8G	Qty. (12): 6 Sticks
B7A	Main Wall Finish	Manufacturer: Paint, PPG Primer: 6-4900XI Speedhide Zero VOC Int. Latex Satin Paint: 6-4310XI Speedhide Zero VOC Int Latex Eggshell Color: Ashen, PPG1023-3		X		X	P-15G	PPG Contact: Daniel Huber, 713.702.3636, daniel.huber@ppg.com Additional supplier(s) available per BKC Finish Schedule
B8A	Accent Brick Finish	Manufacturer: Pine Hall Brick Series: Thin Clad Veneer Color: Old Irvington Size: 7 5/8" x 3 5/8" x 1/2" Grout: Lehigh Hanson, B-12C/B-12, Gingerbread, Ohio River Masonry Sand		X		X	BR-2G EGR-1G	Install: Horizontal, 50% offset, include base tile to match floor Pine Hall Contact: Preston Steele E-mail: psteele@pinehallbrick.com Additional supplier(s) available Grout Contact: Carl Applebaum, 502-523-2666, carl.applebaum@lehighhanson.com
B8B	Wall Tile Corner Trim	Manufacturer: Schluter Systems Finish: Satin Nickel Anodized Alum. Style: QUADEC Q100AT 3/8"		X		X	TR-1	Contact: 786-858-0010 Rep: Rosanna Ruiz
B9A	Menuboard & Service Area Back Wall	Manufacturer: Eurowest Item: 1318glosswh1 Color: White, Glossy Size: 3" x 12" Grout: CBP, Fusion Pro Single Comp., #543 Driftwood, 1/8"Th		X		X	CT-31G GR-18G	Install: Horizontal, 50% offset Eurowest Contact: 714.309.9551 Rep: Jan Deter Additional supplier(s) available
B10A	Window Sills	Material: Solid Surface Corian, Deep Nocturne Thickness: 1/2"	X			X	SS-8G	Qty. (12): 5 Sticks

Interior Building Finishes			Supplier		Installer		BK	Notes
Item	Description	Finish	FCC	Others	FCC	Others	Codes	
B11A	Interior Doors and Frames	Finish: Laminate, Nevamar WK0017T Venerable Old Oak (grain) Frames: Clear Anodized Aluminum Finish: Paint, PPG Primer: 90-712 Pitt Tech Paint: 6-1510XI, Speedhide Int/Ext WB Alkyd Semi Gloss Color: Ashen, PPG1023-3		X		X	PL-9G P-4G	Install: Wood Grain Runs Vertically Nevamar Contact: 877.726.6526 Rep: John Trulock PPG Contact: Daniel Huber, 713.702.3636, daniel.huber@ppg.com Additional supplier(s) available per BKC Finish Schedule
B11B	Kitchen Door & Frame (Kitchen Side Only)	Not Applicable						
B12A	Open Truss Ceiling & BKoT Upper Wall Finish	Manufacturer: PPG Primer: 17-921 Seal Grip Paint: PPG 6-417 Speedhide Zero VOC Int. Latex Eggshell Color: Cabin Fever, PPG 1021-7		X		X	P-6G	PPG Contact: Daniel Huber, 713.702.3636, daniel.huber@ppg.com Additional supplier(s) available per BKC Finish Schedule
B12B	Acoustical Ceiling Tile	Item: Armstrong, Cortega PN91311, #770 Size: 2' x 2' x 5/8" Tile Color: Custom Color, Sepia Edge: Flat In-Lay 15/16 Grid: Prelude 15/16", Exposed Tee Grid Color: Custom Color, Sepia		X		X	ACT-1G	Option to B12A Open Truss Contact: 252-214-4426 Rep: Cheryl Smith
B12C	Kitchen Acoustical Ceiling Tile	Item: Armstrong, Kitchen Zone #BP672 Size: 2' x 4' x 1/2" Tile Color: White Grid: Prelude 15/16" Exposed Tee Grid Color: White		X		X	ACT-2G	Contact: 252-214-4426 Rep: Cheryl Smith Additional supplier(s) available per BKC Finish Schedule
B12D	Acoustical Ceiling Tile (Play Area, if applicable)	Item: Armstrong, Fine fissured #1732 Size: 2' x 2' x 3/4" Tile Color: White (Upgrade: Adobe) Grid: Angled Tegular 15/16" Grid Color: White (Upgrade: Adobe)		X		X	ACT-3G	Contact: 252-214-4426 Rep: Cheryl Smith Additional supplier(s) available per BKC Finish Schedule
B12E	Drywall Ceiling (existing)	Finish: Paint, PPG Primer: 6-4900XI Speedhide Zero VOC Int Latex Satin Paint: 6-4310XI Speedhide Zero VOC Int. Latex Eggshell Color: White on White 30GY 88/014		X		X	P-5G	Refer to RCP for GC installed recessed light locations PPG Contact: Daniel Huber, 713.702.3636, daniel.huber@ppg.com Additional supplier(s) available per BKC Finish Schedule
B13A	Soffits	Finish: Paint, PPG Primer: 6-4900XI Speedhide Zero VOC Int Latex Satin Paint: 6-4310XI Speedhide Zero VOC Int. Latex Eggshell Color: White on White 30GY 88/014		X		X	P-5G	Refer to RCP for GC installed recessed light locations PPG Contact: Daniel Huber, 713.702.3636, daniel.huber@ppg.com Additional supplier(s) available per BKC Finish Schedule
B13B	Drywall Transition Reveal Trim	Manufacturer: Trim-Tex Drywall Products Item: Silver Architectural Reveal Bead, AS5110S Size: 1/2" x 1/2" x 10' lengths		X		X		If 6" x 6" perimeter soffit is omitted from BKoT bldg, this trim must be used between P-15G main wall finish and P-6G Upper Wall Finish



Burger King
Grayson, KY
Decor: Garden Grill
Building Type: BK-2502

CUSTOMER
Ampler Development

SHEET TITLE:
SPECIFICATIONS

WORK ORDER NUMBER:

FINALS BY:

DRAWN BY:
AARON McCRAW
SCALE:

NTS
ORIGINAL DATE:
August 17, 2021

PLOT DATE:
September 15, 2021

PROJECT #:
22524-001

SHEET #:
D8.3



FCC COMMERCIAL FURNITURE INC.
8452 OLD HWY 99 N, ROSEBURG, OR 97470 USA
T. 800.322.7328 | F. 541.673.7441 | WWW.FCCFURN.COM
DESIGNED AND BUILT IN U.S.A.

PROPERTY OF FCC COMMERCIAL FURNITURE
THIS IS A FOR DESIGN PURPOSE TO EXPRESS DESIGN
CONCEPTS TO THE ARCHITECT, CLIENT, CONTRACTOR
AND INSTALLER FOR THE PROJECT SHOWN. THIS DESIGN
AND THE CONCEPTS HEREIN SHALL
NOT BE ALTERED OR USED AS CONSTRUCTION
DOCUMENTS. DO NOT REPRODUCE OR LEND WITHOUT
WRITTEN PERMISSION FROM FCC COMMERCIAL
FURNITURE INC.

IMPORTANT

WRITTEN DIMENSIONS HAVE PRECEDENCE OVER SCALE
IN ALL CASES.

DO NOT SCALE OFF PLANS. CONTACT FCC COMMERCIAL
FURNITURE'S REPRESENTATIVE TO VERIFY ANY
QUESTIONABLE DIMENSIONS AT TELEPHONE #
800.322.7328

THE GENERAL CONTRACTOR MUST VERIFY ALL BUILDING
DIMENSIONS, EQUIPMENT, FURNITURE PLACEMENT,
UTILITY LOCATIONS, AND CONDITIONS AT THE JOB SITE.

THE GENERAL CONTRACTOR MUST NOTIFY FCC
COMMERCIAL FURNITURE OF ALL DISCREPANCIES
AND/OR REQUIRED ADJUSTMENTS PRIOR TO STARTING
WORK.

FCC COMMERCIAL FURNITURE HAS PREPARED THESE
DOCUMENTS AS ACCURATELY AS POSSIBLE WITH THE
ARCHITECTURAL INFORMATION PROVIDED. DUE TO LACK
OF ACCURATE AND COMPLETE DIMENSIONED
ARCHITECTURAL PLANS, OWNER UNDERSTANDS THAT
ADJUSTMENTS TO THE FINAL LOCATIONS OF EQUIPMENT
AND/OR FURNITURE PLACEMENT MAY BE REQUIRED AT
THE OWNER'S EXPENSE DUE TO DISCREPANCIES BASED
ON ACTUAL JOB SITE DIMENSIONS AND CONDITIONS.

REFER TO ARCHITECTURAL OR ENGINEER DRAWINGS
FOR COMPLETE AND ACCURATE DIMENSIONS OF
BUILDING STRUCTURE.

THESE CONTRACT DOCUMENTS AND THE INFORMATION
THEY CONTAIN ARE THE PROPERTY OF FCC COMMERCIAL
FURNITURE INC., ROSEBURG, OREGON, 97470.

ALL PREPARED CONTRACT DOCUMENTS MAY NOT BE
COPIED, REPRODUCED, USED OR IMPLEMENTED IN ANY
WAY, IN PART OR IN WHOLE, WITHOUT THE EXPRESS
WRITTEN CONSENT OF FCC COMMERCIAL FURNITURE INC.

ANY UNAUTHORIZED USE OF THESE PLANS WILL RESULT
IN PAYMENT DUE FOR SERVICES RENDERED BY FCC
COMMERCIAL FURNITURE INC.

ANY DEVIATIONS FROM THESE DRAWINGS FOR ANY
REASON SHALL NOT BE DONE WITHOUT CONSENT OF FCC
COMMERCIAL FURNITURE INC. IN ADVANCE. IN WRITING.
FCC COMMERCIAL FURNITURE IS NOT RESPONSIBLE FOR
DEVIATIONS, CHANGES, ADDITIONS, OR DELETIONS NOT
REVIEWED AND APPROVED IN ADVANCE BY FCC
COMMERCIAL FURNITURE INC.

THESE DOCUMENTS REFLECT SPECIFIC SEATING AND
DECOR EQUIPMENT ORDERED OF DATE SHOWN BELOW.

CLIENT:



Burger King

Grayson, KY
Decor: Garden Grill
Building Type: BK-2502

CUSTOMER
Ampler Development

SHEET TITLE:
SPECIFICATIONS

WORK ORDER NUMBER:

FINALS BY:

DRAWN BY:
AARON McCRAW
SCALE:
NTS

ORIGINAL DATE:
August 17, 2021

PLOT DATE:
September 15, 2021

PROJECT #:
22524-001

SHEET #:
D8.4

Interior Building Finishes			Supplier		Installer		BK	Notes
Item	Description	Finish	FCC	Others	FCC	Others	Codes	
B14A	Suspended 3D Lam Trellis	<i>Finish: Omnova</i> , 3D Laminate Almond Cherry 508837 <i>Size:</i> 6"W x 6"H <i>Shroud/Hardware:</i> Powdercoat, Tiger BLM 38/60400, Sudan Brown	X			X		Can lights to be installed by GC in soffit - See RCP for Details
B14B	Slat Laminate Soffit	<i>Side 1 Finish:</i> Laminate, Nevamar WZ2001T Santa Rosa Plum <i>Side 2 Finish:</i> Laminate, Nevamar SO3300 SD, Café Sienna <i>Edge:</i> Rehau, 592E Multiplex <i>Thickness:</i> 1-1/4" Thick x 6"High <i>Hardware:</i> Powdercoat, Tiger, BLM 38/60400, Sudan Brown	X			X	PL-16G PL-18G MEB-1G	<i>Side 2 to be installed facing windows.</i> <i>End slat at window to be side 1 finish, both sides.</i>

Vestibule Interior Finishes			Supplier		Installer		BK	Notes
Item	Description	Finish	FCC	Others	FCC	Others	Codes	
V1A	Wainscot (Lower Wall Surface)	<i>Finishes to Match Dining Room</i> See B5A for Specification	X			X	WP-2G	
V2A	Chair Rail	<i>Finishes to Match Dining Room</i> See B6A for Specification	X			X	SS-8G	
V3A	Main Wall Finish	<i>Finishes to Match Dining Room</i> See B7A for Specification		X		X	P-15G	

Restroom Interior Finishes			Supplier		Installer		BK	Notes
Item	Description	Finish	FCC	Others	FCC	Others	Codes	
R1A	Restroom Sink	<i>Style:</i> Custom Trough Corian Sink <i>Finish:</i> Solid Surface, Corian, Glacier White <i>Size:</i> 18"D x 22"W x 5"H		X		X		HJC Corp: barry.bryant@hjcinc.com OR Restroom Remodels Co.: keith@restroomremodels.com
R1B	Faucet	<i>Manufacturer:</i> Grohe <i>Model:</i> Eurosmart Cosmopolitan <i>Finish:</i> Chrome		X		X		
R2A	Stall Doors and Frames	<i>Finish:</i> Laminate, Nevamar WK0017T Venerable Old Oak (grain) <i>Frames:</i> Clear Anodized Aluminum <i>Finish:</i> Paint, PPG <i>Primer:</i> 90-712 Pitt Tech <i>Paint:</i> 6-1510XI, Speedhide Int/Ext WB Alkyd Semi Gloss <i>Color:</i> Ashen, PPG1023-3		X		X	PL-9G P-4G	Install: Wood Grain Runs Vertically Nevamar Contact: 877.726.6526 Rep: John Trulock PPG Contact: Daniel Huber, 713.702.3636, daniel.huber@ppg.com <i>Additional supplier(s) available per BKC Finish Schedule</i>
R3A	Soap Dispenser	<i>Style:</i> Dispenser 6562, Surface Mounted, Tank-type Horizontal Valve <i>Finish:</i> Stainless Steel		X		X		HJC Corp: barry.bryant@hjcinc.com OR Restroom Remodels Co.: keith@restroomremodels.com
R3B	Hand Dryer	<i>World Dryer:</i> Q-974A or, <i>Excel Dryer:</i> XL-BW BMC or, <i>ASI:</i> 10-0135-1 <i>Or Approved Hand Dryer Option</i>		X		X		
R4A	Urinal	<i>Style:</i> Toto UT104E, TopSpud Inlet, <i>Color:</i> #01 Cotton		X		X		
R4B	Toilet	<i>Style:</i> American Standard, Madera, 16-1/2"H, 1.6gpf, Flushometer sytem with everclean		X		X		
R5A	Wall Mirrors	<i>Style:</i> BOBRICK B-165 2436 Channel Frame Mirror		X		X		
R5D	Waste Receptacle	<i>Not Applicable</i>						
R5F	Coat Hook	<i>Style:</i> BOBRICK B-6717 Surface Mounted Single Robe Hook, Stainless		X		X		
R5G	Paper Towel Dispenser	<i>Style:</i> BOBRICK B-35903 Recessed Mounted Towel Dispenser		X		X		
R5H	Baby Changing Table	<i>Style:</i> Koala Kare KB110-SSRE <i>Finish:</i> Stainless Steel Optional <i>Style:</i> Koala Kare KB200-05 <i>Finish:</i> Polypropylene Optional <i>Style:</i> Custom Corian <i>Finish:</i> Corian, Glacier White		X		X		



FCC COMMERCIAL FURNITURE INC.
8452 OLD HWY 99 N, ROSEBURG, OR 97470 USA
T. 800.322.7328 | F. 541.673.7441 | WWW.FCCFURN.COM
DESIGNED AND BUILT IN U.S.A.

PROPERTY OF FCC COMMERCIAL FURNITURE
THIS IS A FOR DESIGN PURPOSE TO EXPRESS DESIGN
CONCEPTS TO THE ARCHITECT, CLIENT, CONTRACTOR
AND INSTALLER FOR THE PROJECT SHOWN. THIS DESIGN
AND THE CONCEPTS HEREIN SHALL
NOT BE ALTERED OR USED AS CONSTRUCTION
DOCUMENTS. DO NOT REPRODUCE OR LEND WITHOUT
WRITTEN PERMISSION FROM FCC COMMERCIAL
FURNITURE INC.

IMPORTANT

WRITTEN DIMENSIONS HAVE PRECEDENCE OVER SCALE
IN ALL CASES.

DO NOT SCALE OFF PLANS. CONTACT FCC COMMERCIAL
FURNITURE'S REPRESENTATIVE TO VERIFY ANY
QUESTIONABLE DIMENSIONS AT TELEPHONE #
800.322.7328

THE GENERAL CONTRACTOR MUST VERIFY ALL BUILDING
DIMENSIONS, EQUIPMENT, FURNITURE PLACEMENT,
UTILITY LOCATIONS, AND CONDITIONS AT THE JOB SITE.

THE GENERAL CONTRACTOR MUST NOTIFY FCC
COMMERCIAL FURNITURE OF ALL DISCREPANCIES
AND/OR REQUIRED ADJUSTMENTS PRIOR TO STARTING
WORK.

FCC COMMERCIAL FURNITURE HAS PREPARED THESE
DOCUMENTS AS ACCURATELY AS POSSIBLE WITH THE
ARCHITECTURAL INFORMATION PROVIDED. DUE TO LACK
OF ACCURATE AND COMPLETE DIMENSIONED
ARCHITECTURAL PLANS, OWNER UNDERSTANDS THAT
ADJUSTMENTS TO THE FINAL LOCATIONS OF EQUIPMENT
AND/OR FURNITURE PLACEMENT MAY BE REQUIRED AT
THE OWNER'S EXPENSE DUE TO DISCREPANCIES BASED
ON ACTUAL JOB SITE DIMENSIONS AND CONDITIONS.

REFER TO ARCHITECTURAL OR ENGINEER DRAWINGS
FOR COMPLETE AND ACCURATE DIMENSIONS OF
BUILDING STRUCTURE.

THESE CONTRACT DOCUMENTS AND THE INFORMATION
THEY CONTAIN ARE THE PROPERTY OF FCC COMMERCIAL
FURNITURE INC., ROSEBURG, OREGON, 97470.

ALL PREPARED CONTRACT DOCUMENTS MAY NOT BE
COPIED, REPRODUCED, USED OR IMPLEMENTED IN ANY
WAY, IN PART OR IN WHOLE, WITHOUT THE EXPRESS
WRITTEN CONSENT OF FCC COMMERCIAL FURNITURE INC.

ANY UNAUTHORIZED USE OF THESE PLANS WILL RESULT
IN PAYMENT DUE FOR SERVICES RENDERED BY FCC
COMMERCIAL FURNITURE INC.

ANY DEVIATIONS FROM THESE DRAWINGS FOR ANY
REASON SHALL NOT BE DONE WITHOUT CONSENT OF FCC
COMMERCIAL FURNITURE INC. IN ADVANCE. IN WRITING,
FCC COMMERCIAL FURNITURE IS NOT RESPONSIBLE FOR
DEVIATIONS, CHANGES, ADDITIONS, OR DELETIONS NOT
REVIEWED AND APPROVED IN ADVANCE BY FCC
COMMERCIAL FURNITURE INC.

THESE DOCUMENTS REFLECT SPECIFIC SEATING AND
DECOR EQUIPMENT ORDERED OF DATE SHOWN BELOW.

CLIENT:



Burger King

Grayson, KY
Decor: Garden Grill
Building Type: BK-2502

CUSTOMER
Ampler Development

SHEET TITLE:
SPECIFICATIONS

WORK ORDER NUMBER:

FINALS BY:

DRAWN BY:
AARON McCRAW

SCALE:

NTS

ORIGINAL DATE:

August 17, 2021

PLOT DATE:

September 15, 2021

PROJECT #:

22524-001

SHEET #:

D8.5

Item	Restroom	Interior Finishes	Supplier		Installer		BK Codes	Notes
			FCC	Others	FCC	Others		
R6A	Floor Tile	Manufacturer: Eurowest Item: TCG1224027SQ Color: Simply Gray Honed (rectified) Size: 12"x24" Grout: CBP, Fusion Pro Single Comp., #335 Winter Gray 1/16"		X		X	CT-27G GR-15G	Install: Stacked bond Eurowest Contact: 714.309.9551 Rep: Jan Deter Additional supplier(s) available per BKC Finish Schedule Grout Note: Prolite® Premium Large Format Tile Mortar, Rapid Set
R6B	Cove Base Profile Trim	Item: Schluter, Dilex-AHK100AT Finish: Satin Nickel Anodized Alum Size: 3/8"		X		X		Install between floor tile and base tile Contact: 786-858-0010 Rep: Rosanna Ruiz
R6C	Base Tile Trim	Item: Schluter, Quadec Q100AT, 3/8" Finish: Satin Nickel Anodized Alum Size: 3/8"		X		X	TR-1G	Install between top of base tile and wall tile Contact: 786-858-0010 Rep: Rosanna Ruiz
R7A	Grey Wall Tile	Manufacturer: Eurowest Item: TCG1224027SQ Color: Simply Gray Honed (rectified) Size: 12"x24" Grout: CBP, Fusion Pro Single Comp., #335 Winter Gray 1/16"		X		X	CT-27G GR-15G	Install: Horizontal stacked bond Eurowest Contact: 714.309.9551 Rep: Jan Deter Additional supplier(s) available per BKC Finish Schedule Grout Note: Prolite® Premium Large Format Tile Mortar, Rapid Set
R7B	Red Wall Tile	Manufacturer: Eurowest Series: Sensible Stone, ED5052 Color: Sign Red Natural Size: 12"x24" Grout: CBP, Fusion Pro Single Comp., #335 Winter Gray 1/16"		X		X	CT-30G GR-15G	Install: Vertical stacked bond Eurowest Contact: 714.309.9551 Rep: Jan Deter Additional supplier(s) available per BKC Finish Schedule Grout Note: Prolite® Premium Large Format Tile Mortar, Rapid Set
R7C	Wood-look Wall Tile (light wood)	Manufacturer: Eurowest Item: IRG 0624123 (rectified) Color: Larch US (French Wood) Size: 6"x24" Grout: CBP, Fusion Pro Single Comp., #335 Winter Gray 1/16"		X		X	CT-28G GR-15G	Install: Horizontal stacked bond Eurowest Contact: 714.309.9551 Rep: Jan Deter Additional supplier(s) available per BKC Finish Schedule Grout Note: Prolite® Premium Large Format Tile Mortar, Rapid Set
R8A	Ceiling Finish	Finish: Paint, PPG Primer: 6-4900X Speedhide Zero VOC Int Latex Satin Paint: 6-4310X Speedhide Zero VOC Int. Latex Eggshell Color: White on White 30GY 88/014		X		X	P-5G	PPG Contact: Daniel Huber, 713.702.3636, daniel.huber@ppg.com Additional supplier(s) available per BKC Finish Schedule

Item	Interior Lighting Finishes	Supplier	Installer		BK Codes	Notes	
			FCC	Others			FCC
L1A	Accent Pendant Lighting (center tables)	Supplier: Nautical Furnishings Part #: SP30S-18-60D-927-03 (BK304) Finish: Cast Aluminum w/ Orange Accent Lamp: Edison, LED, 10W 2700K		X		X	A Contact: 954.771.1100 Rep: Michael Hoglund Install bottom of pendant 6'-6" AFF
L1B	Accent Pendant Lighting (community tables)	Supplier: Nautical Furnishings Part #: BK305 Finish: Antique Bronze w/ Cage Lamp: Edison LED 8W 2700K or Clear Antique Style LED, 6W 2700K		X		X	B Contact: 954.771.1100 Rep: Michael Hoglund Refer to plans for installation heights
L1C	White Can Light (placed in drywall soffits)	Item: 6" Dia White Recessed Downlight Part #: Juno, SP34505-930-6-WWH Size: 6" Downlight Trim: White Lamp: 11 Watt, 3000K		X		X	C6w at GWB Contact: 615.843.3379 Rep: Wyatt Culver, Hermitage Light. Email: wyattc@hlg.co
L1D	Black Can Light (used with ceiling tile only)	Item: 4" Dia Black Recessed Downlight Part #: SP36671-BLTRM Size: 4" Downlight Trim: Black		X		X	C4b at ACT Contact: 615.843.3379 Rep: Wyatt Culver, Hermitage Light. Email: wyattc@hlg.co
L1E	White Wallwasher (placed in soffits to highlight walls)	Item: 6" Dia White Recessed Downlight Part #: Juno, SP34506-27K-6-WWH Size: 6" Wallwasher Trim: White Lamp: 11 Watt, 3000K		X		X	D6w at GWB Contact: 615.843.3379 Rep: Wyatt Culver, Hermitage Light. Email: wyattc@hlg.co
L1F	Black Wallwasher (used with ceiling tile only)	Item: 4" D Black Recessed Wallwasher Part #: SP36671G2/39C BL RFD44875 Size: 4" Wallwasher Trim: Black Lamp: 12.5 Watt, 3000K		X		X	D4b at ACT Contact: 615.843.3379 Rep: Wyatt Culver, Hermitage Light. Email: wyattc@hlg.co
L1G	Track Lighting (to accent wall shelves in lounge)	Item: Track Lighting Part #: Juno, R600L3KNBZ Sizes: 8' or 4' lengths Finish: Bronze Lamp: 10 Watts, 2700K		X		X	E Contact: 615.843.3379 Rep: Wyatt Culver, Hermitage Light. Email: wyattc@hlg.co
L1H	Queuing Area Lighting (open truss only)	Item: Linear Pendant Part #: PR1-BBD35A16SM06 Size: 16' L, 12' L or 8' L Finish: Aluminum Lamp: 49 Watts, 3500K		X		X	F (opt. 1) Contact: 615.843.3379 Rep: Wyatt Culver, Hermitage Light. Email: wyattc@hlg.co Bottom of light to align with FSC Soffit
L1I	Accent Trellis Lighting	Item: 2" Dia White Recessed Downlight Part #: Juno, SP34378B-9-F1-SN Size: 2"W x 4-1/8" H Trim: Satin Nickel Lamp: 10 Watt, 3000K		X		X	G Contact: 615.843.3379 Rep: Wyatt Culver, Hermitage Light. Email: wyattc@hlg.co Cut Hole Size: 2-5/8" D
L1J	Accent Trellis Lighting (Adjustable)	Item: 2"D White Recessed Wallwasher Part #: Juno, SP34378A-930-F1-SN Size: 2"W x 4-1/8" H Trim: Satin Nickel Lamp: 10 Watt, 3000K		X		X	G1 Contact: 615.843.3379 Rep: Wyatt Culver, Hermitage Light. Email: wyattc@hlg.co Cut Hole Size: 2-5/8" D
L1K	Sconce Light (optional)	Supplier: Nautical Furnishings Item: #BK305, Bronze Cage Sconce Lamp: Edison LED 8W 2700K or Clear Antique Style LED, 6W 2700K		X		X	B1 Contact: 954.771.1100 Rep: Michael Hoglund

Additional supplier(s) available per BK Light Fixture Schedule Available at designwithbk.com

Specifications are for REFERENCE ONLY and are current from the date of the last revision. See architectural for updated information. Contact FCC immediately with any modifications to building finishes.

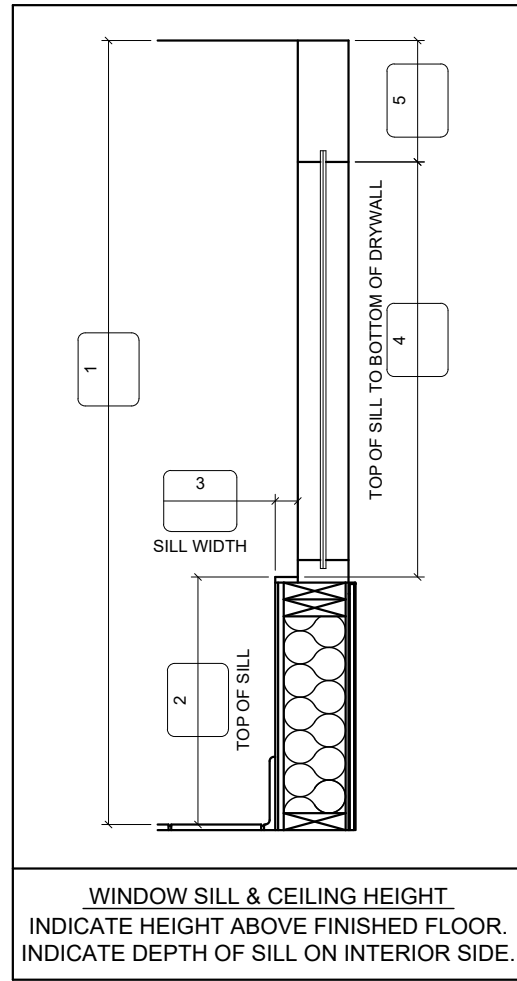
PLEASE PROVIDE THE INFORMATION REQUESTED BELOW
IN CASE THERE ARE ANY QUESTIONS ABOUT DIMENSIONS.

CONTACT: _____

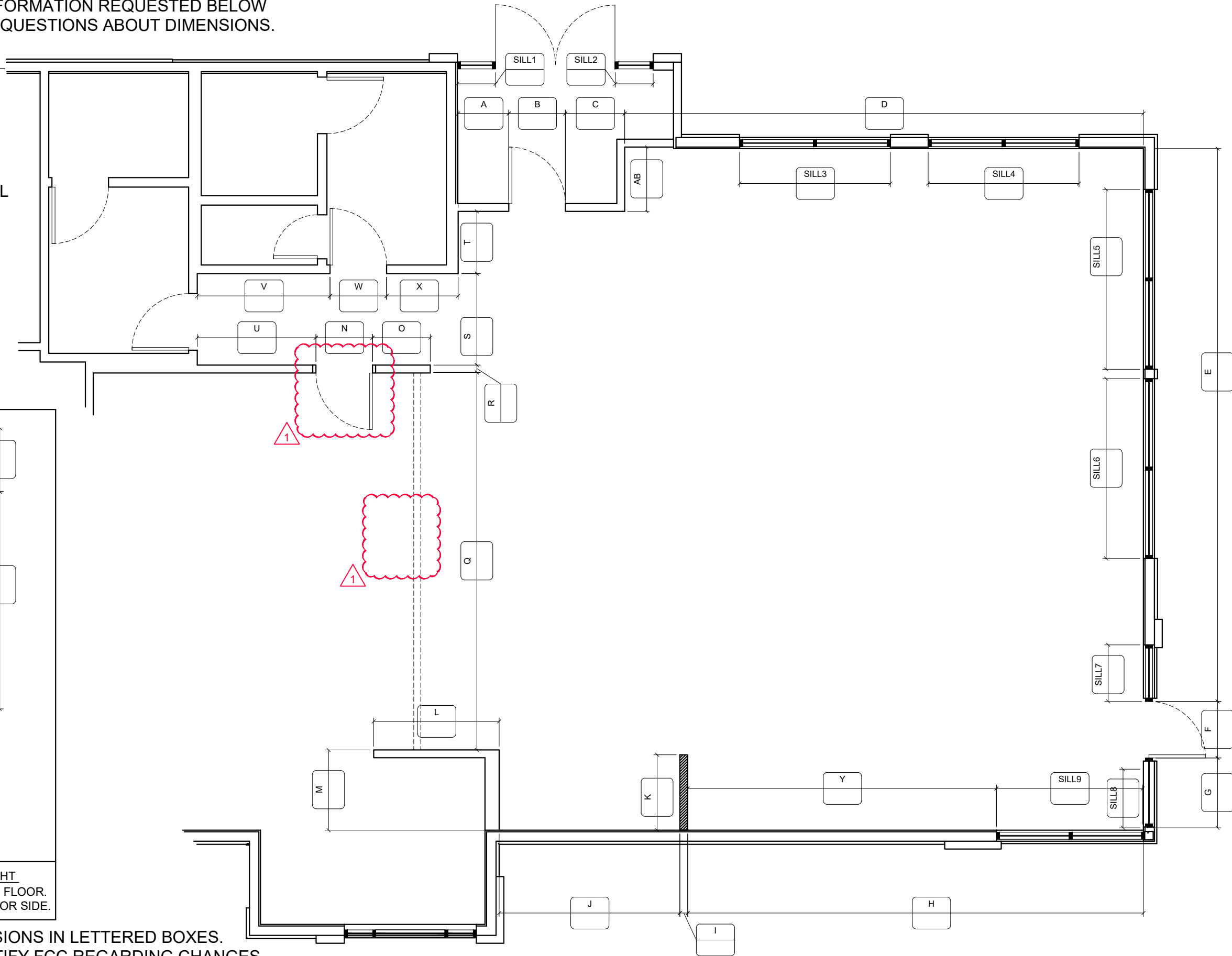
PHONE #: _____

DIMS ARE FROM:

- STUD TO STUD
- DRYWALL TO DRYWALL



PLACE REQUIRED DIMENSIONS IN LETTERED BOXES.
PLEASE INDICATE OR NOTIFY FCC REGARDING CHANGES
OR MODIFICATIONS TO THE BUILDING; SUCH AS:
DOOR LOCATIONS, VESTIBULE(S), FURRING & WINDOWS.



FCC COMMERCIAL FURNITURE INC.
8452 OLD HWY 99 N. ROSEBURG, OR 97470 USA
T: 800.322.7328 | F: 541.673.7441 | WWW.FCCFURN.COM
DESIGNED AND BUILT IN U.S.A.

PROPERTY OF FCC COMMERCIAL FURNITURE
THIS IS A FOR DESIGN PURPOSE TO EXPRESS DESIGN
CONCEPTS TO THE ARCHITECT, CLIENT, CONTRACTOR
AND INSTALLER FOR THE PROJECT SHOWN. THIS DESIGN
AND THE CONCEPTS HEREIN SHALL
NOT BE ALTERED OR USED AS CONSTRUCTION
DOCUMENTS. DO NOT REPRODUCE OR LEND WITHOUT
WRITTEN PERMISSION FROM FCC COMMERCIAL
FURNITURE INC.

IMPORTANT

WRITTEN DIMENSIONS HAVE PRECEDENCE OVER SCALE
IN ALL CASES.

DO NOT SCALE OFF PLANS. CONTACT FCC COMMERCIAL
FURNITURE'S REPRESENTATIVE TO VERIFY ANY
QUESTIONABLE DIMENSIONS AT TELEPHONE #
800.322.7328

THE GENERAL CONTRACTOR MUST VERIFY ALL BUILDING
DIMENSIONS, EQUIPMENT, FURNITURE PLACEMENT,
UTILITY LOCATIONS, AND CONDITIONS AT THE JOB SITE.

THE GENERAL CONTRACTOR MUST NOTIFY FCC
COMMERCIAL FURNITURE OF ALL DISCREPANCIES
AND/OR REQUIRED ADJUSTMENTS PRIOR TO STARTING
WORK.

FCC COMMERCIAL FURNITURE HAS PREPARED THESE
DOCUMENTS AS ACCURATELY AS POSSIBLE WITH THE
ARCHITECTURAL INFORMATION PROVIDED. DUE TO LACK
OF ACCURATE AND COMPLETE DIMENSIONED
ARCHITECTURAL PLANS, OWNER UNDERSTANDS THAT
ADJUSTMENTS TO THE FINAL LOCATIONS OF EQUIPMENT
AND/OR FURNITURE PLACEMENT MAY BE REQUIRED AT
THE OWNER'S EXPENSE DUE TO DISCREPANCIES BASED
ON ACTUAL JOB SITE DIMENSIONS AND CONDITIONS.

REFER TO ARCHITECTURAL OR ENGINEER DRAWINGS
FOR COMPLETE AND ACCURATE DIMENSIONS OF
BUILDING STRUCTURE.

THESE CONTRACT DOCUMENTS AND THE INFORMATION
THEY CONTAIN ARE THE PROPERTY OF FCC COMMERCIAL
FURNITURE INC., ROSEBURG, OREGON, 97470.

ALL PREPARED CONTRACT DOCUMENTS MAY NOT BE
COPIED, REPRODUCED, USED OR IMPLEMENTED IN ANY
WAY, IN PART OR IN WHOLE, WITHOUT THE EXPRESS
WRITTEN CONSENT OF FCC COMMERCIAL FURNITURE INC.

ANY UNAUTHORIZED USE OF THESE PLANS WILL RESULT
IN PAYMENT DUE FOR SERVICES RENDERED BY FCC
COMMERCIAL FURNITURE INC.

ANY DEVIATIONS FROM THESE DRAWINGS FOR ANY
REASON SHALL NOT BE DONE WITHOUT CONSENT OF FCC
COMMERCIAL FURNITURE INC. IN ADVANCE. IN WRITING.
FCC COMMERCIAL FURNITURE IS NOT RESPONSIBLE FOR
DEVIATIONS, CHANGES, ADDITIONS, OR DELETIONS NOT
REVIEWED AND APPROVED IN ADVANCE BY FCC
COMMERCIAL FURNITURE INC.

THESE DOCUMENTS REFLECT SPECIFIC SEATING AND
DECOR EQUIPMENT ORDERED OF DATE SHOWN BELOW.

CLIENT:



Burger King

Grayson, KY
Decor: Garden Grill
Building Type: BK-2502

CUSTOMER
Ampler Development

SHEET TITLE:
VERIFICATION PLAN

WORK ORDER NUMBER:

FINALS BY:

DRAWN BY:
AARON McCRAW

SCALE:

NTS

ORIGINAL DATE:

August 17, 2021

PLOT DATE:

September 15, 2021

PROJECT #:

22524-001

SHEET #:

D9.0