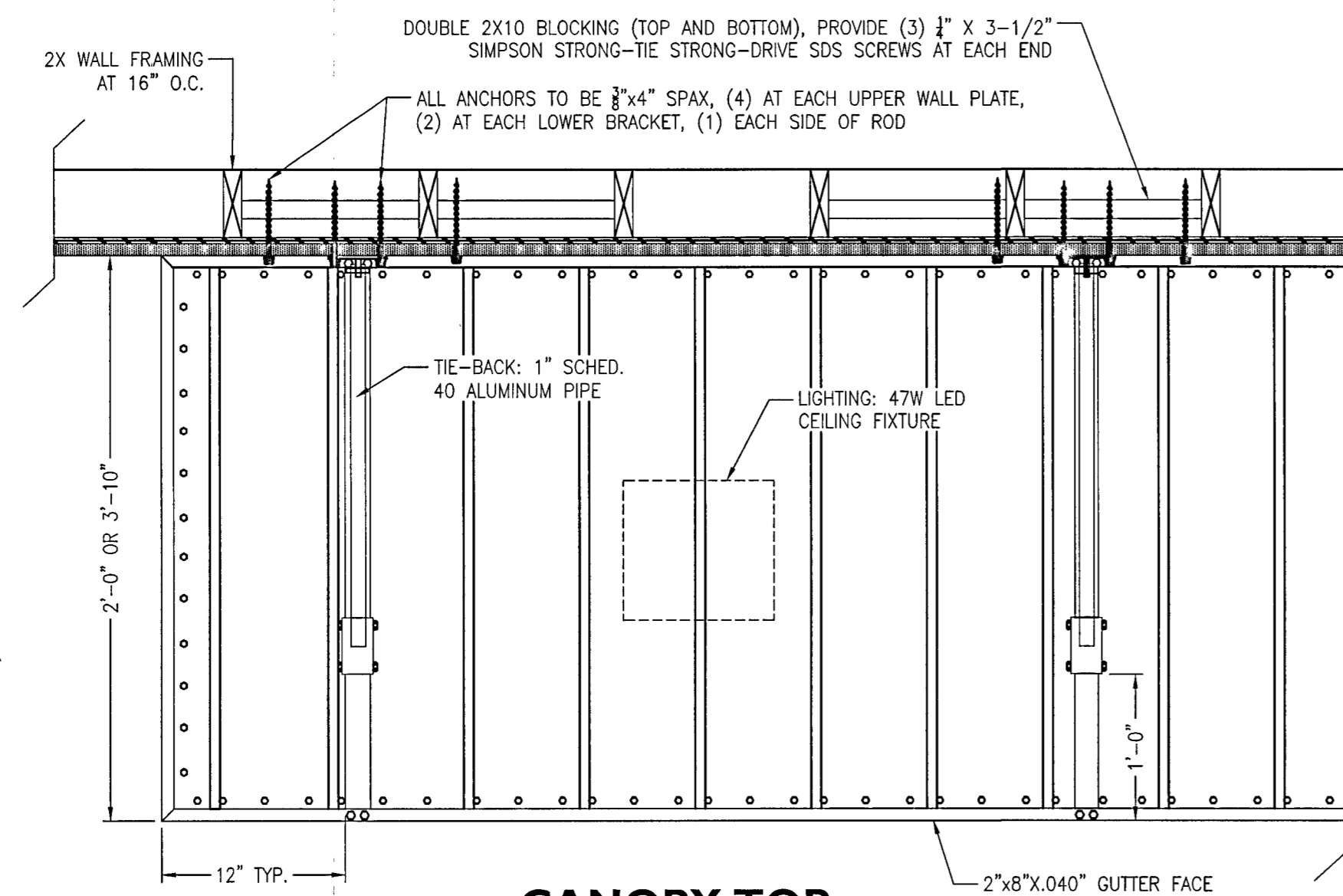
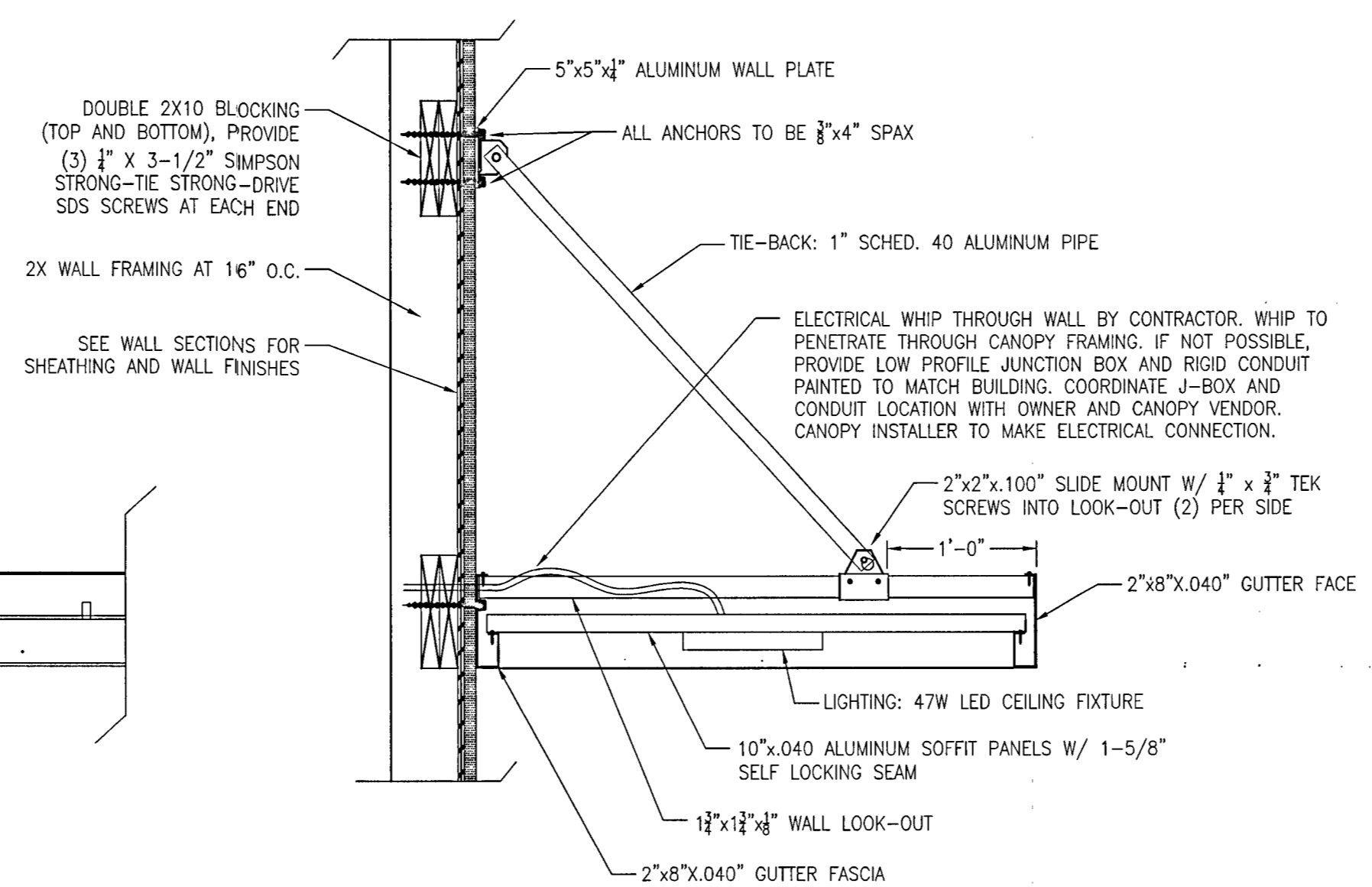


CANOPY FRONT

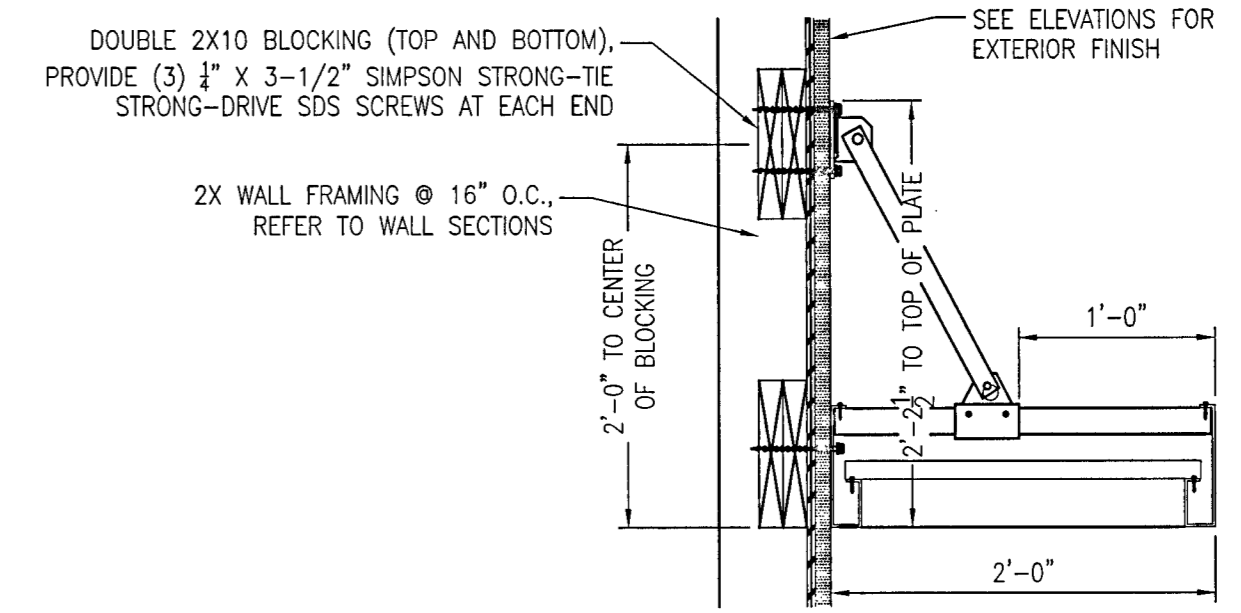


CANOPY TOP

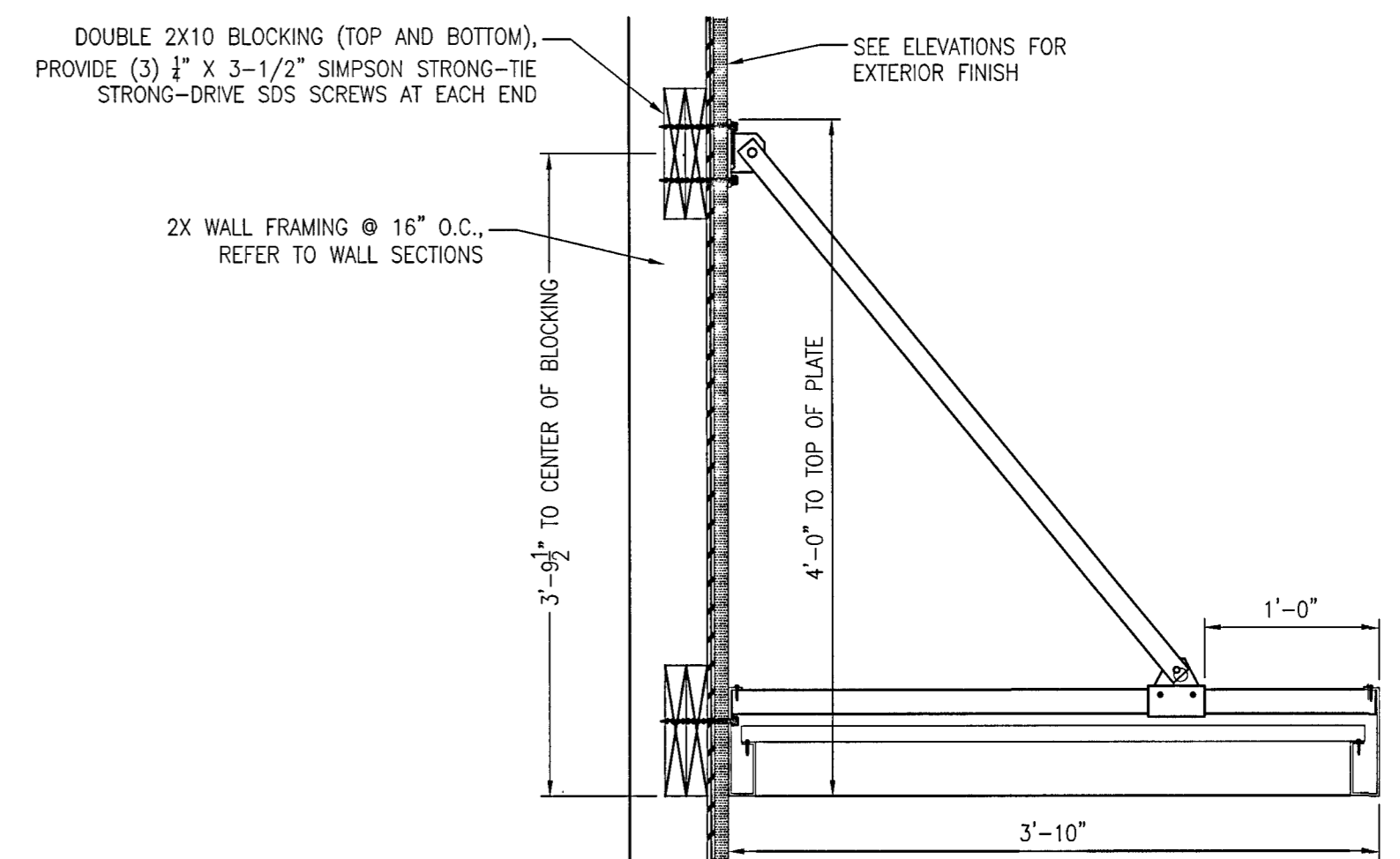
CANOPY ATTACHMENT DETAILS 2
NOT TO SCALE



TYP. CANOPY DETAILS



2' CANOPY SECTION



4' CANOPY SECTION

CANOPY FRAMING DETAILS 1
NOT TO SCALE

Manufacturing Specifications:

Fabricated Aluminum Construction Horizontal Grain
Brushed Aluminum Letter Face and Returns with Clear Finish.

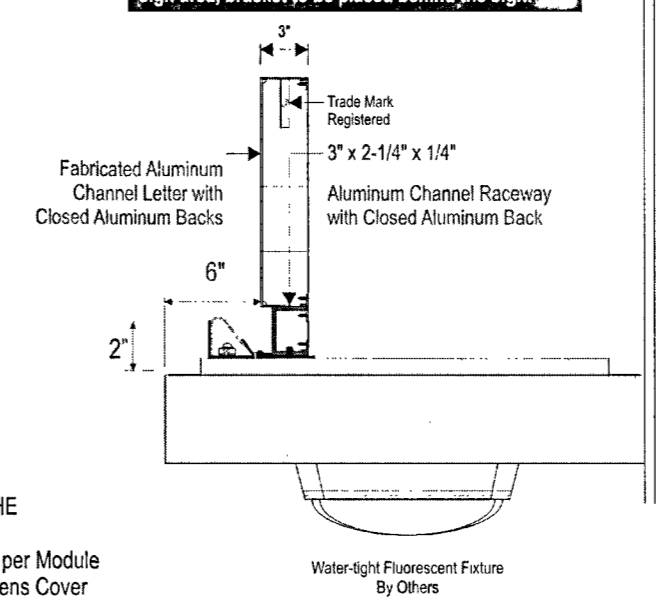
.125" Letter Face
.080" Letter Returns
.040" Letter Backs

Domitable Acrylic Lens Cover for protection to the LED

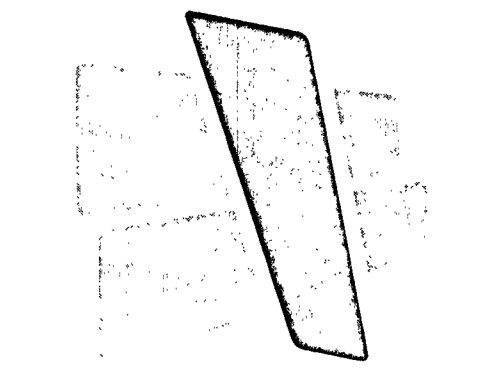
For Acrylic Lens Cover - Specify 1/4" Thick LED - 5023 Aluminum Cover of Frame, Laminated Acrylic Lens Face

LED Illuminated Border
Sylvania #70400, White LED HF2 Chain/36W3-865/HE
26 WATTS, 6500K Color
Module Length 12 feet, 36 LEDs, 120 Volt, 1.08 Amps per Module
White LED Exterior Illumination with Flexible Acrylic Lens Cover
Powered by #51514 Power Supply

Note: Ultracing is needed at Home Of The Whopper sign when brackets to be placed behind the sign.



SIGNAGE LIGHTING 3
NOT TO SCALE

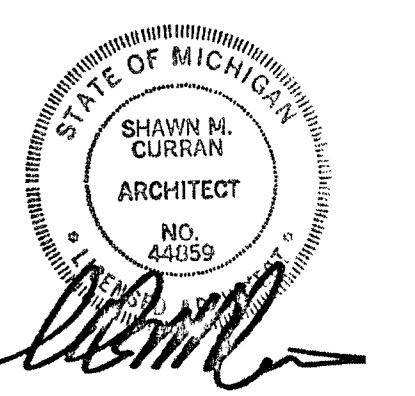


CURRAN ARCHITECTURE

5719 LAWTON LOOP E. DR. #212
INDIANAPOLIS, IN 46216
O :: 317.288.0681
F :: 317.288.0753

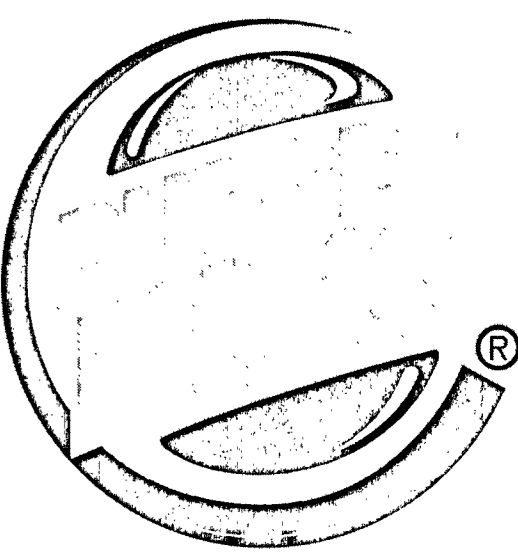


2100 RIVEREDGE PARKWAY
SUITE 850
ATLANTA, GA 30328
O :: 770.933.5023
F :: 770.933.5024



THIS DRAWING AND THE IDEAS, DESIGNS AND CONCEPTS CONTAINED HEREIN ARE THE EXCLUSIVE INTELLECTUAL PROPERTY OF CURRAN ARCHITECTURE, AND ARE NOT TO BE USED OR REPRODUCED, WHOLE OR IN PART, WITHOUT THE WRITTEN CONSENT OF CURRAN ARCHITECTURE. © COPYRIGHT 2021, CURRAN ARCHITECTURE

REMODEL TO:
BURGER KING #13694
2029 S. SAGINAW RD.
MIDLAND, MI 48640



FOR CONSTRUCTION 06-25-2021

PROJECT NUMBER: 190379

CANOPY
DETAILS

A5.1