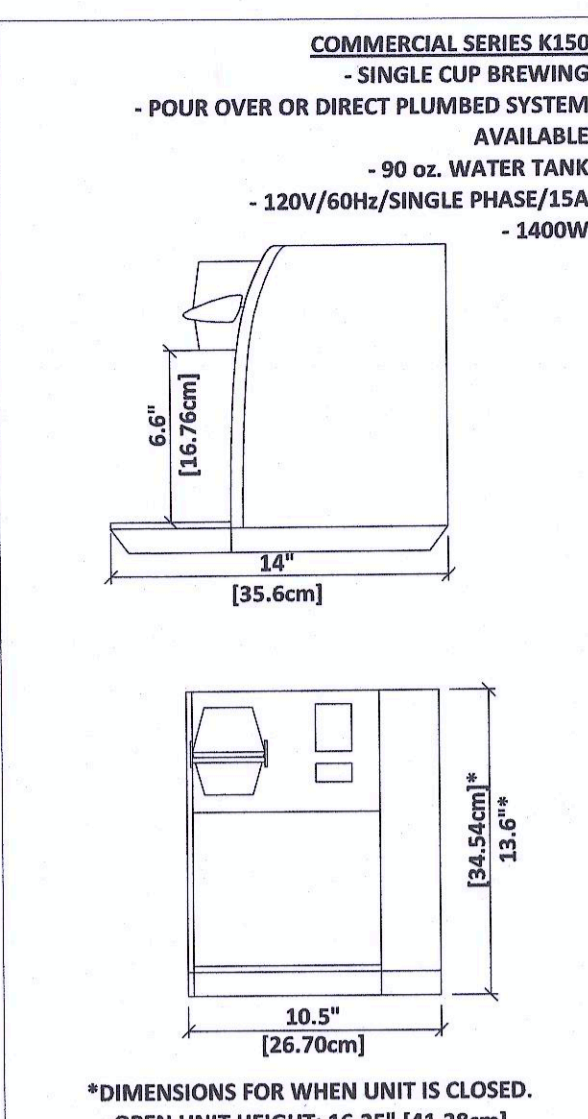


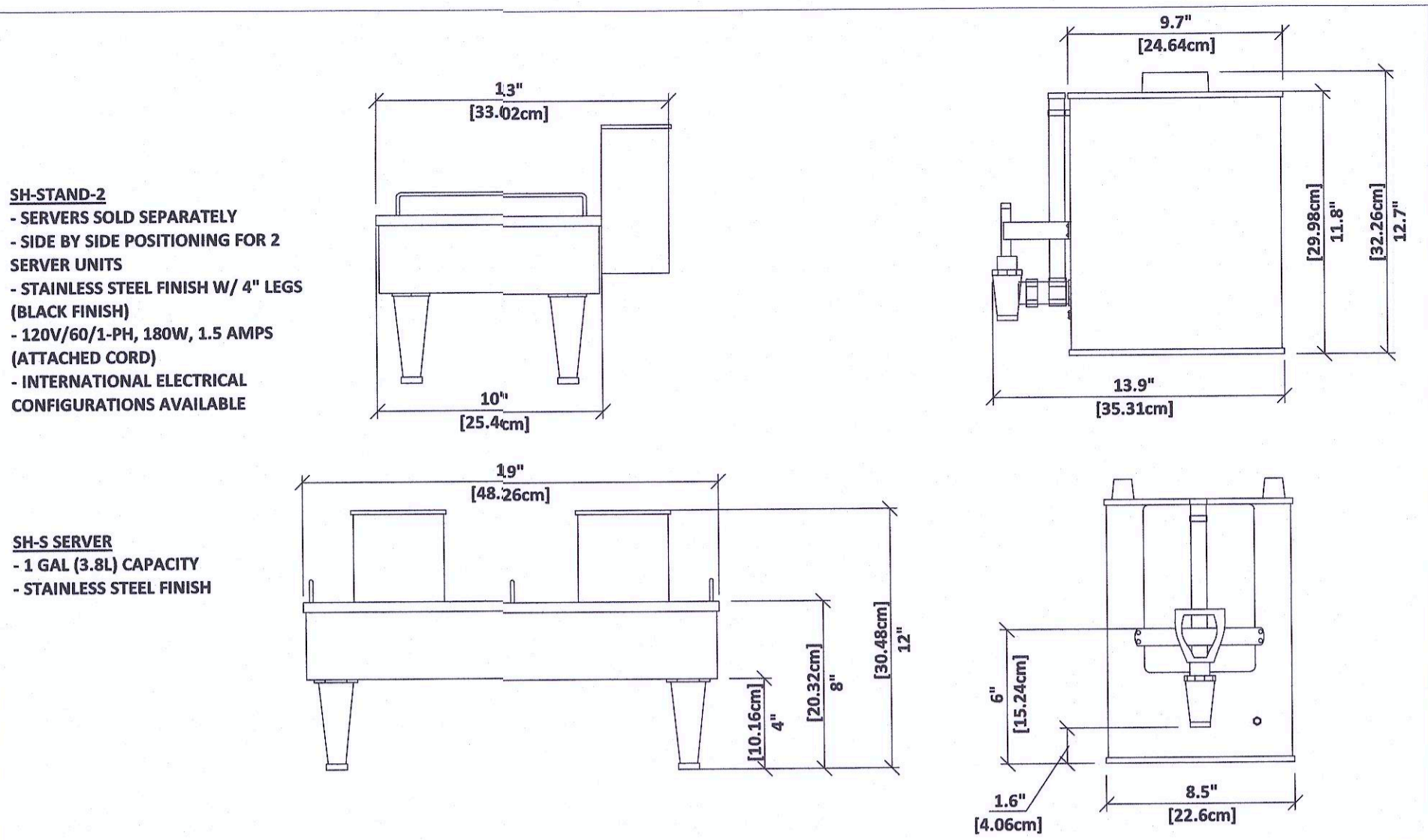
- METAL BEVERAGE SURROUND (SHROUD) TO ENCOMPASS BEVERAGE COUNTER AND BOTTLE BEVERAGE COOLER
- REMOVABLE PANEL FOR ACCESS TO ICE MAKER ON TOP OF SODA



*DIMENSIONS FOR WHEN UNIT IS CLOSED.
OPEN UNIT HEIGHT: 16.25" [41.28cm]

DUKE BEVERAGE SURROUND

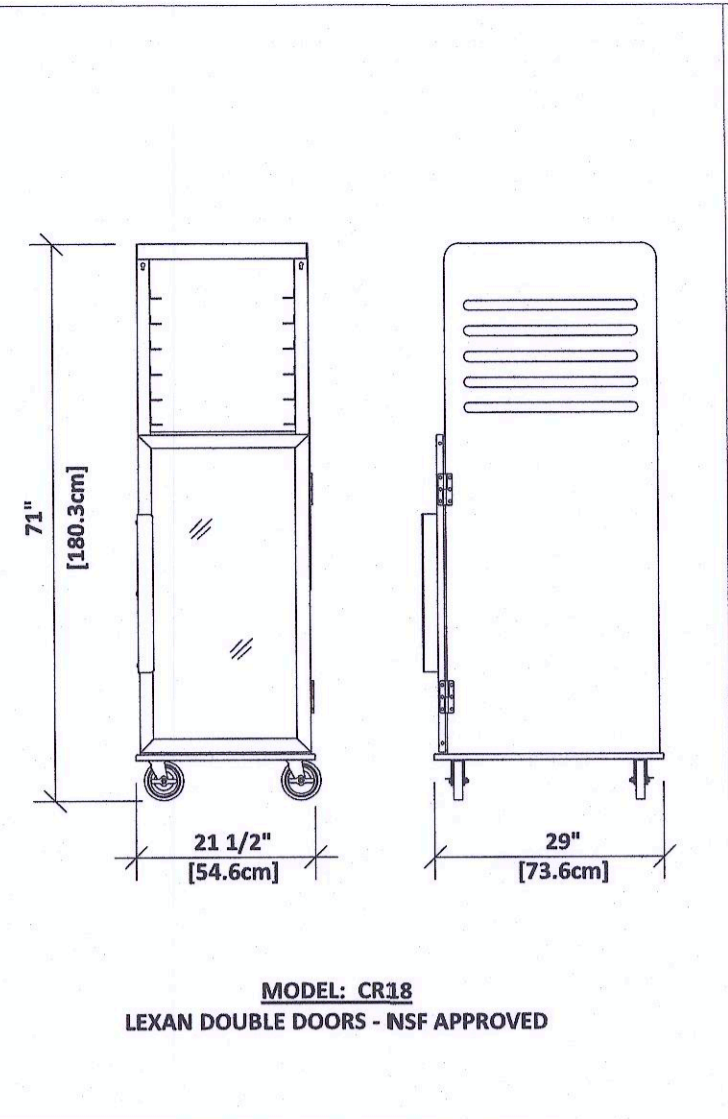
KEURIG BREWER



SH-STAND-2
- SERVERS SOLD SEPARATELY
- SIDE BY SIDE POSITIONING FOR 2 SERVER UNITS
- STAINLESS STEEL FINISH W/ 4" LEGS (BLACK FINISH)
- 120V/60/1-PH, 180W, 1.5 AMPS (ATTACHED CORD)
- INTERNATIONAL ELECTRICAL CONFIGURATIONS AVAILABLE

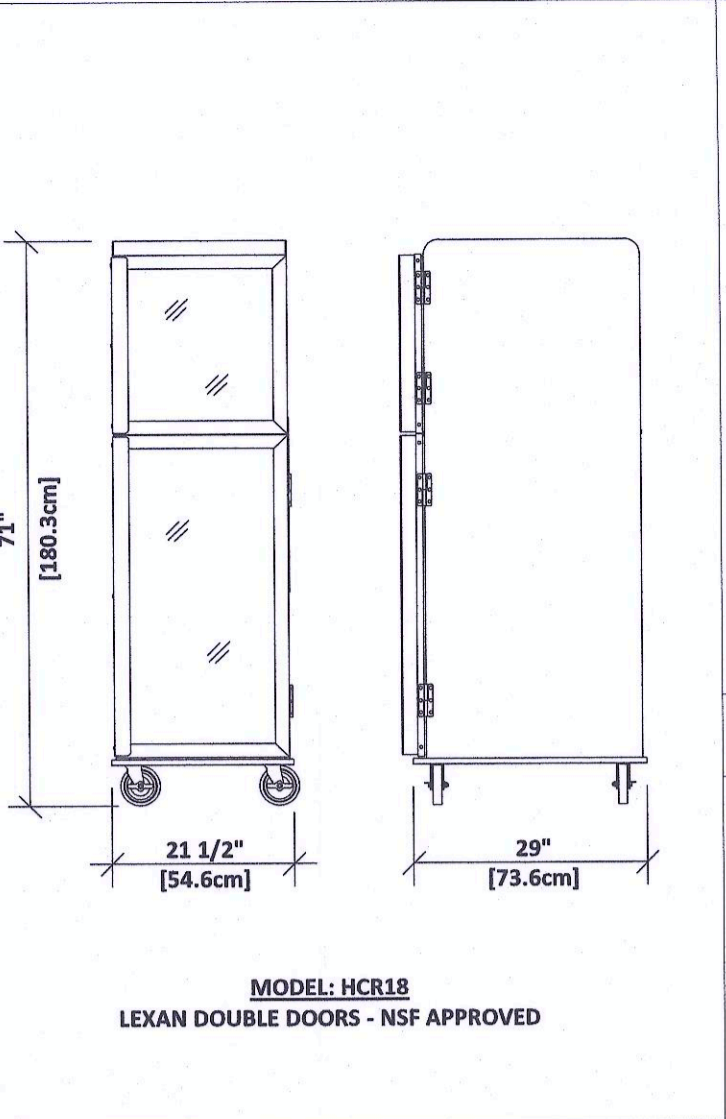
SH-S SERVER
- 1 GAL (3.8L) CAPACITY
- STAINLESS STEEL FINISH

BUNN "SOFT HEAT" COFFEE SERVER & STAND



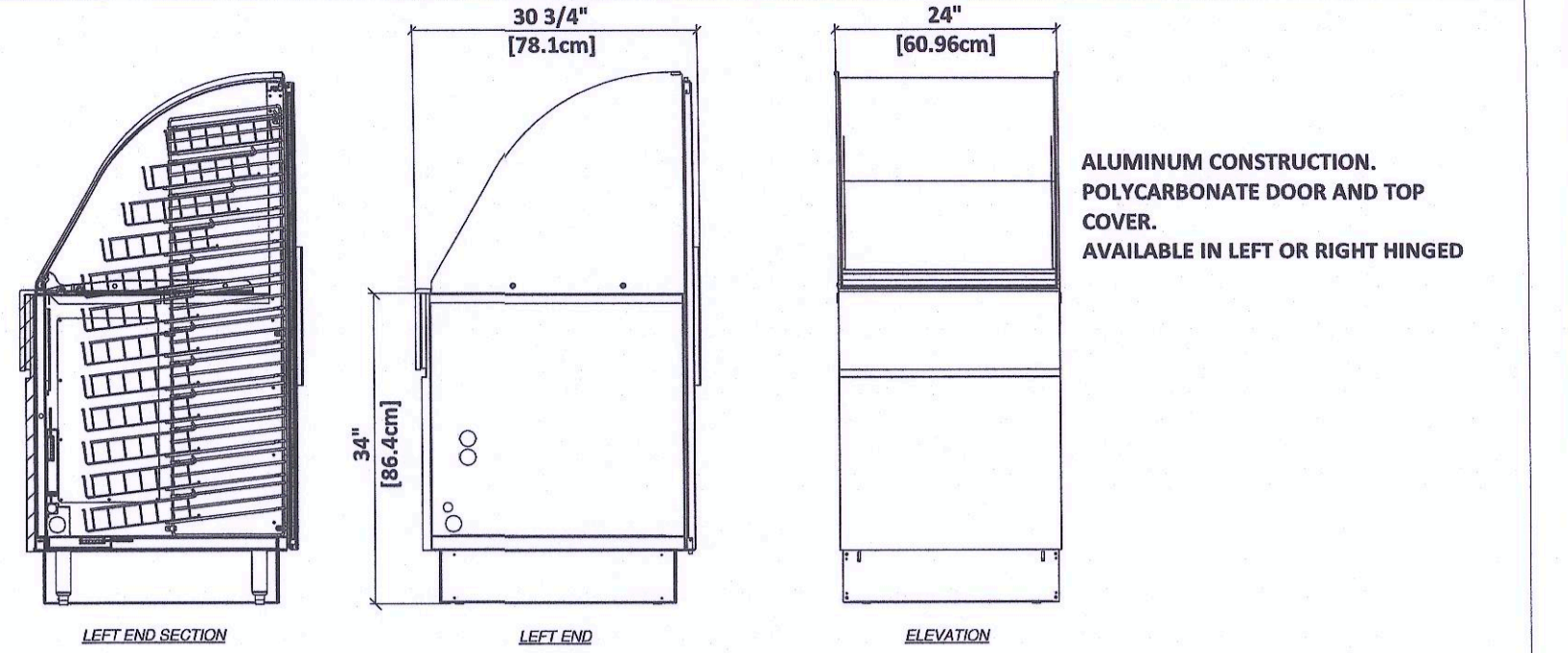
MODEL: CR18
LEXAN DOUBLE DOORS - NSF APPROVED

NUVU (OPEN/ENCLOSED) BREAD CABINET

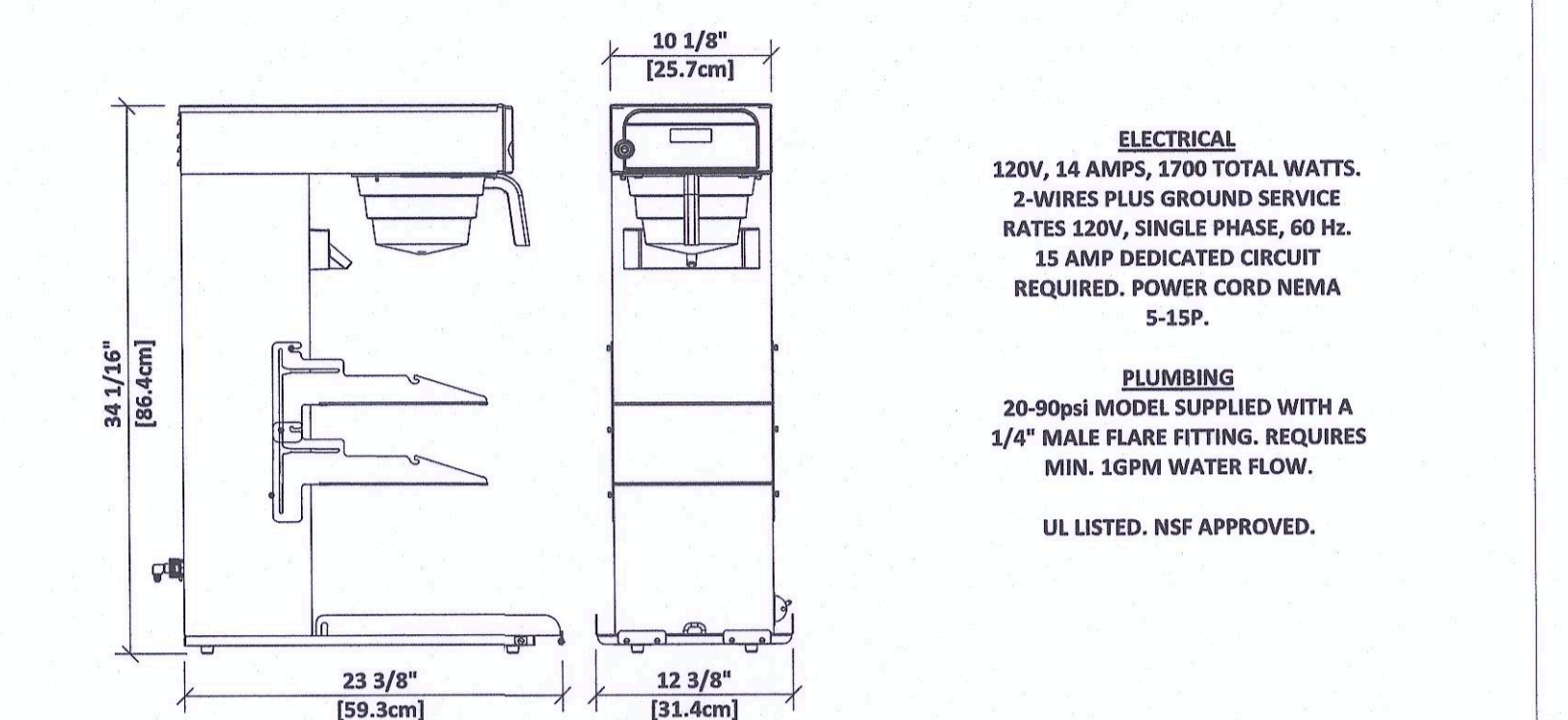


MODEL: HC18
LEXAN DOUBLE DOORS - NSF APPROVED

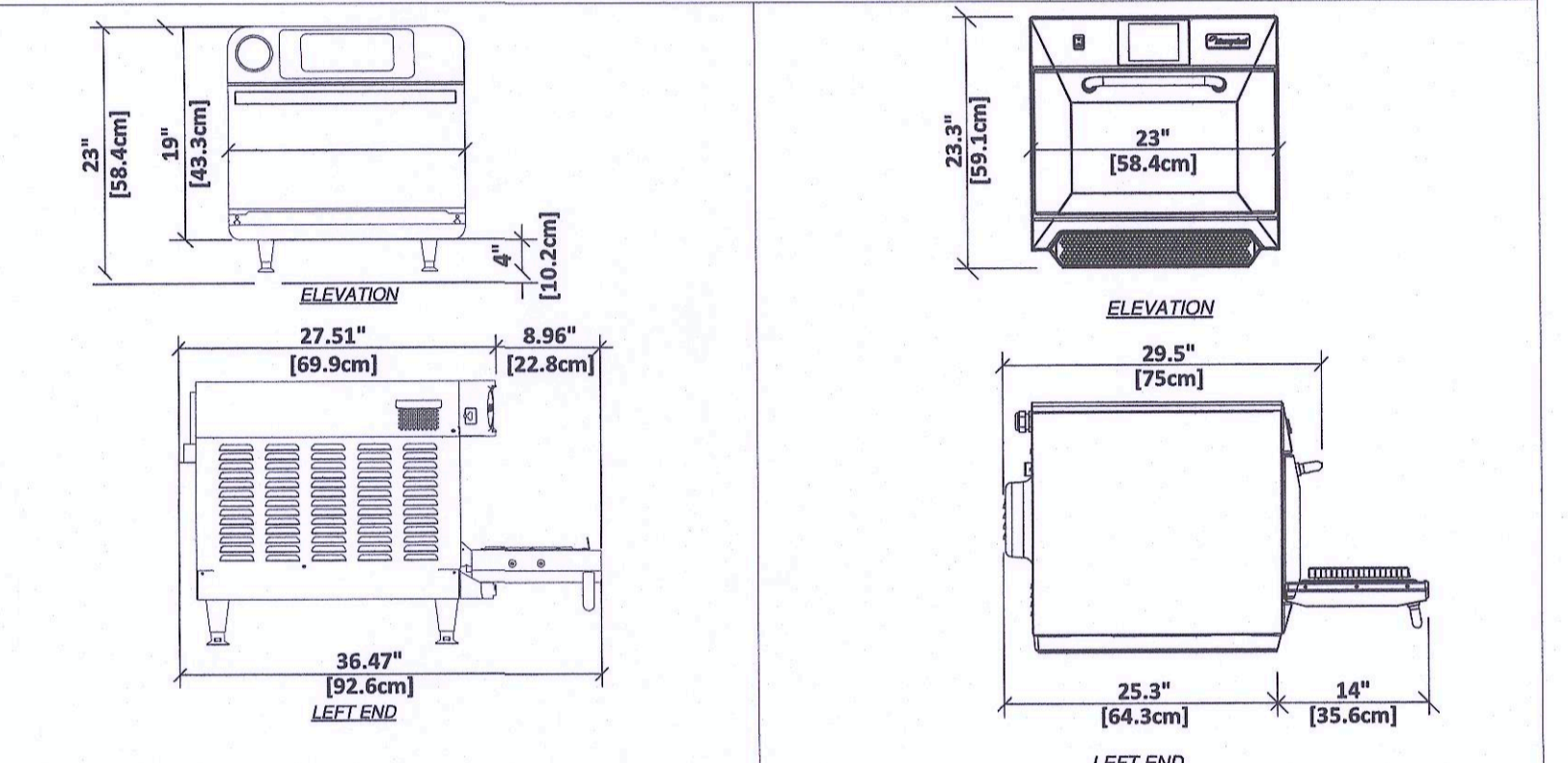
NUVU ENCLOSED BREAD CABINET



DUKE FRONTLINE BREAD DISPLAY CABINET

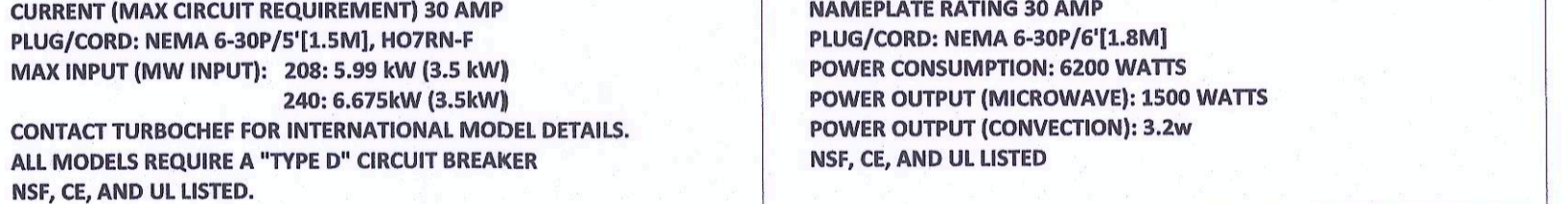


BUNN INFUSION ITCB BREWER



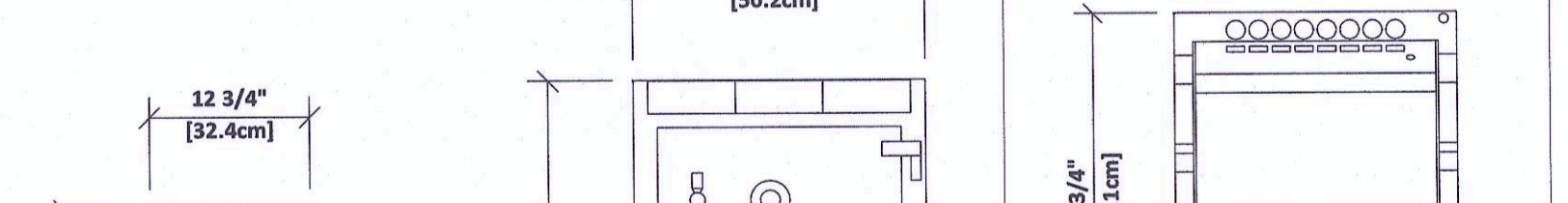
MODEL: CA72-RR12-6
POLY CARBONATE DOOR - NSF APPROVED

LOCKWOOD (OPEN/ENCLOSED) BREAD CABINET



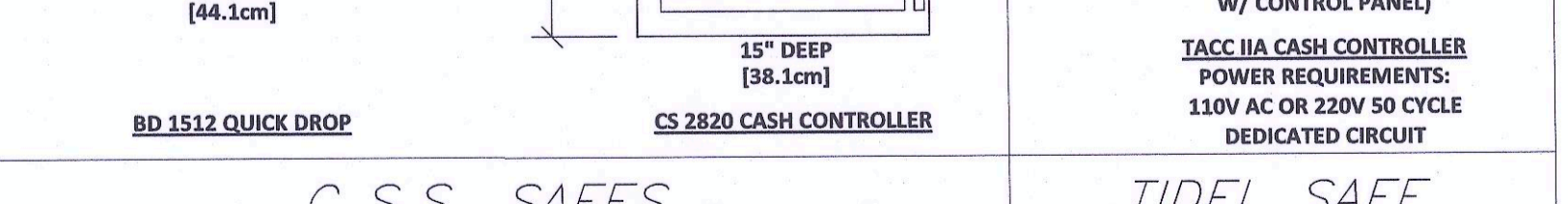
MODEL: CA7218SR
POLY CARBONATE DOUBLE DOORS - NSF APPROVED

LOCKWOOD ENCLOSED BREAD CABINET



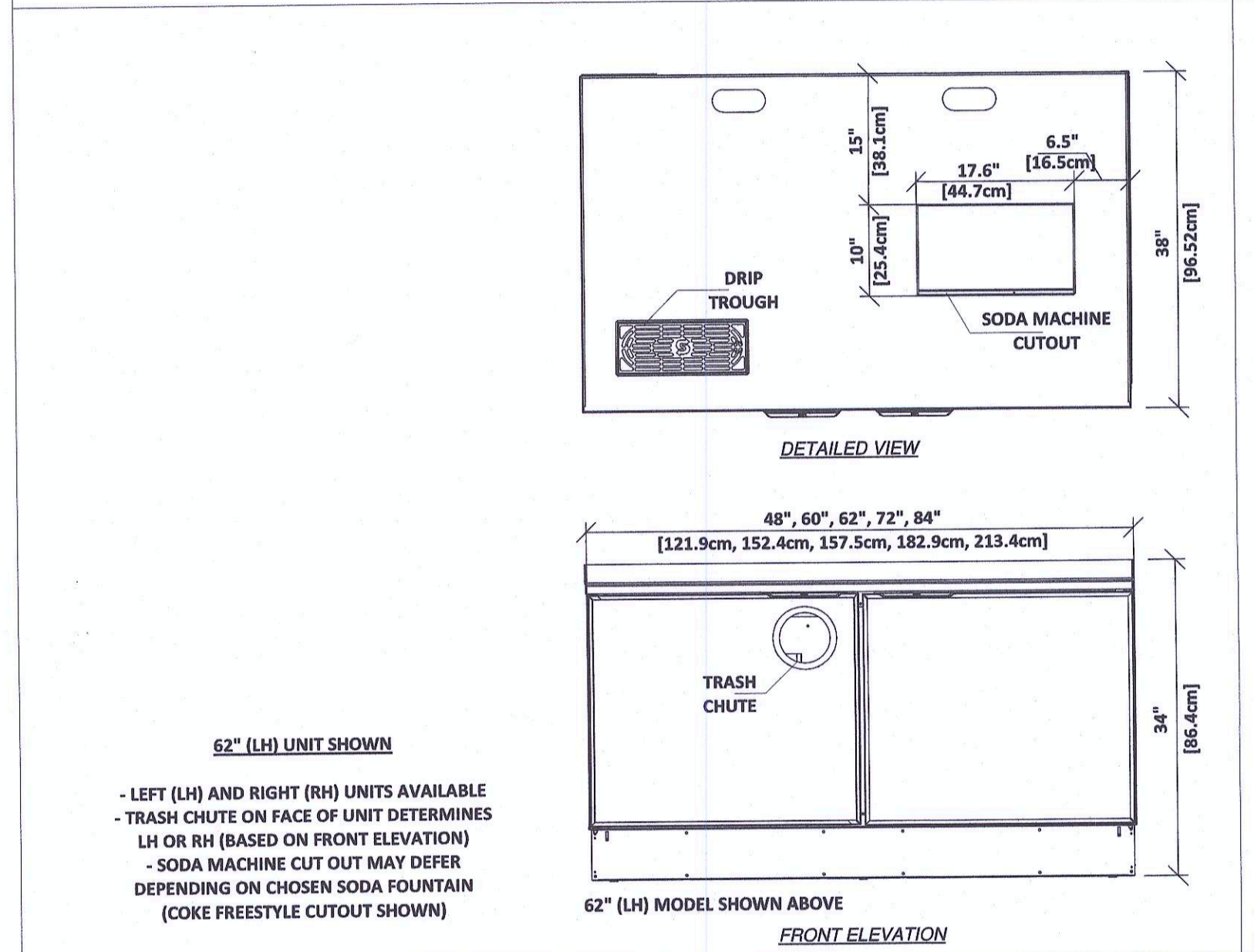
CONTACT TURBOCHEF FOR INTERNATIONAL MODEL DETAILS.
ALL MODELS REQUIRE A "TYPE D" CIRCUIT BREAKER
NSF, CE, AND UL LISTED.

TURBOCHEF RAPID COOK OVEN



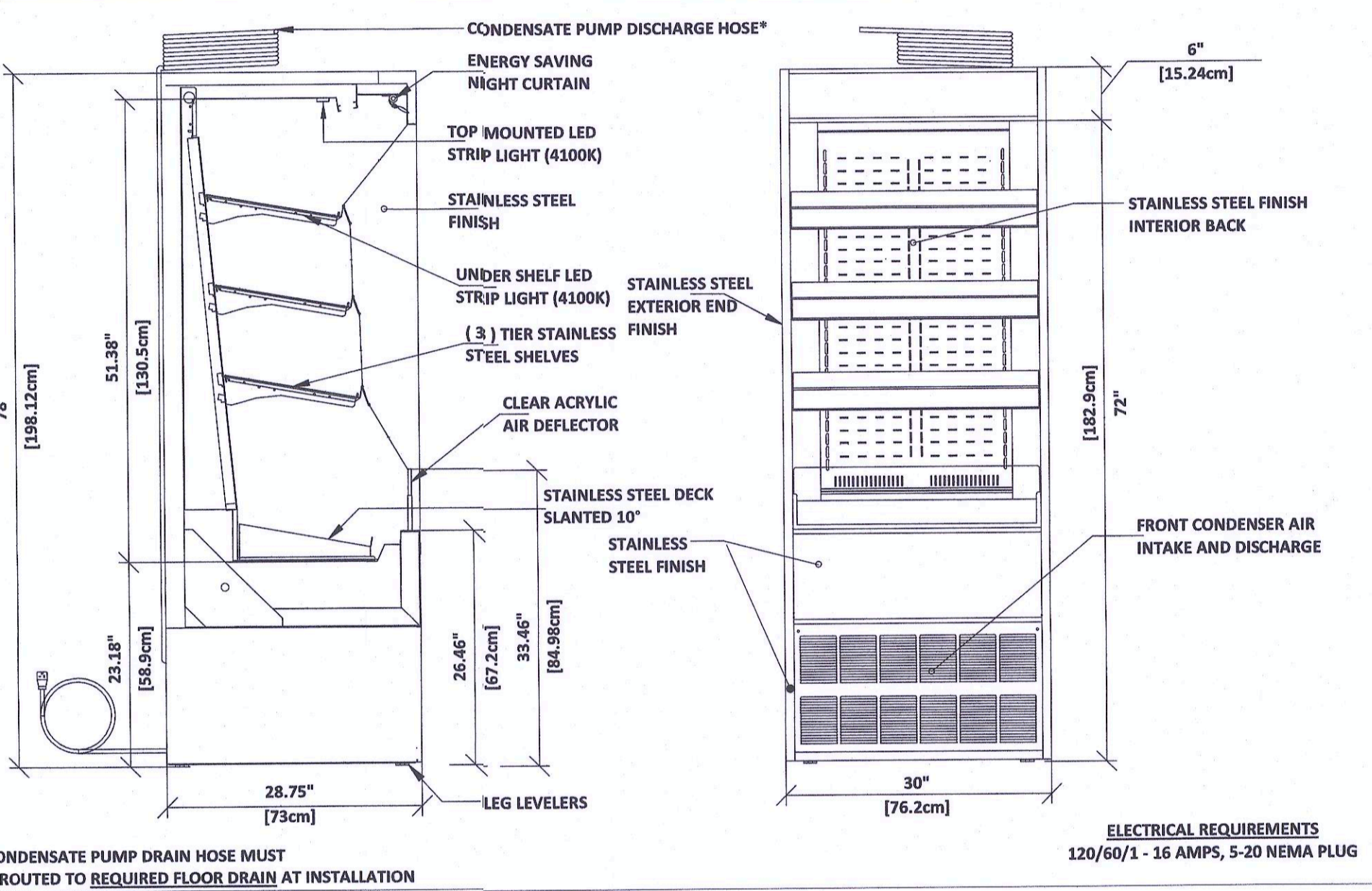
CONTACT TURBOCHEF FOR INTERNATIONAL MODEL DETAILS.
ALL MODELS REQUIRE A "TYPE D" CIRCUIT BREAKER
NSF, CE, AND UL LISTED.

MERRYCHEF RAPID COOK OVEN



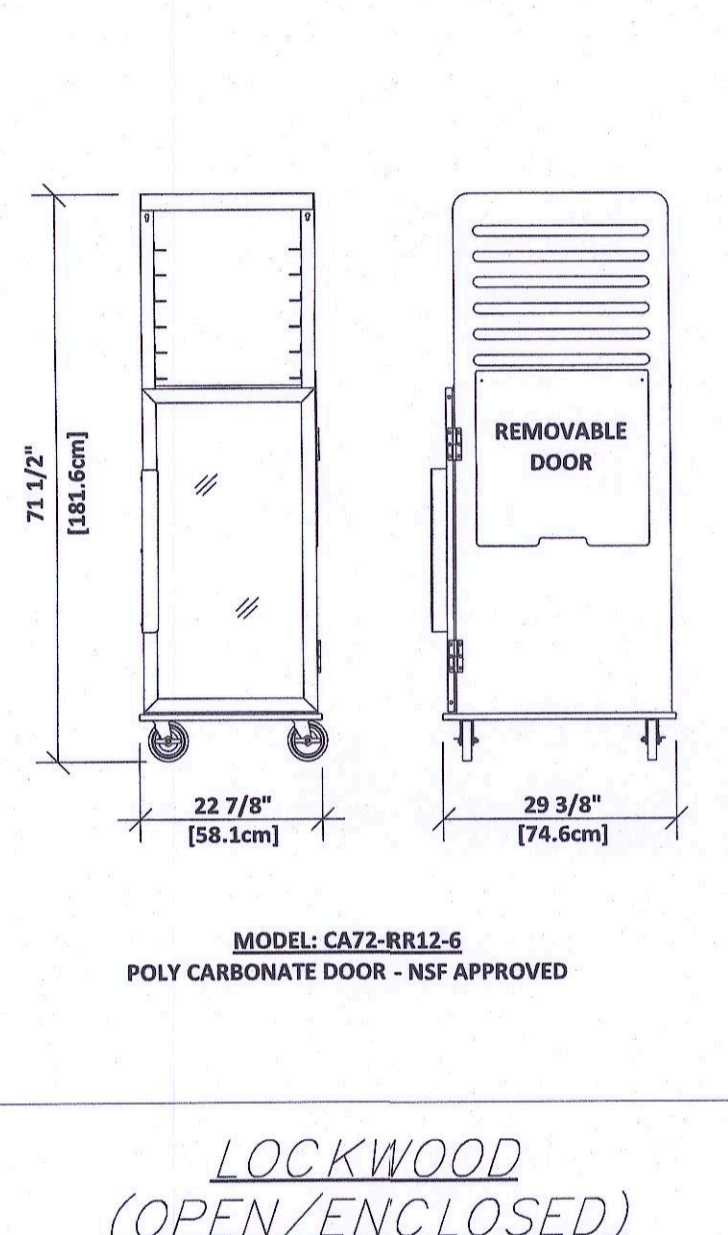
62" (LH) UNIT SHOWN
- LEFT (LH) AND RIGHT (RH) UNITS AVAILABLE
- TRASH CHUTE ON FACE OF UNIT DETERMINES LH OR RH (BASED ON FRONT ELEVATION)
- SODA MACHINE CUT OUT MAY DEFER DEPENDING ON CHOSEN SODA FOUNTAIN (COKE FREESTYLE CUTOUT SHOWN)

DUKE BEVERAGE DESTINATION CENTERS



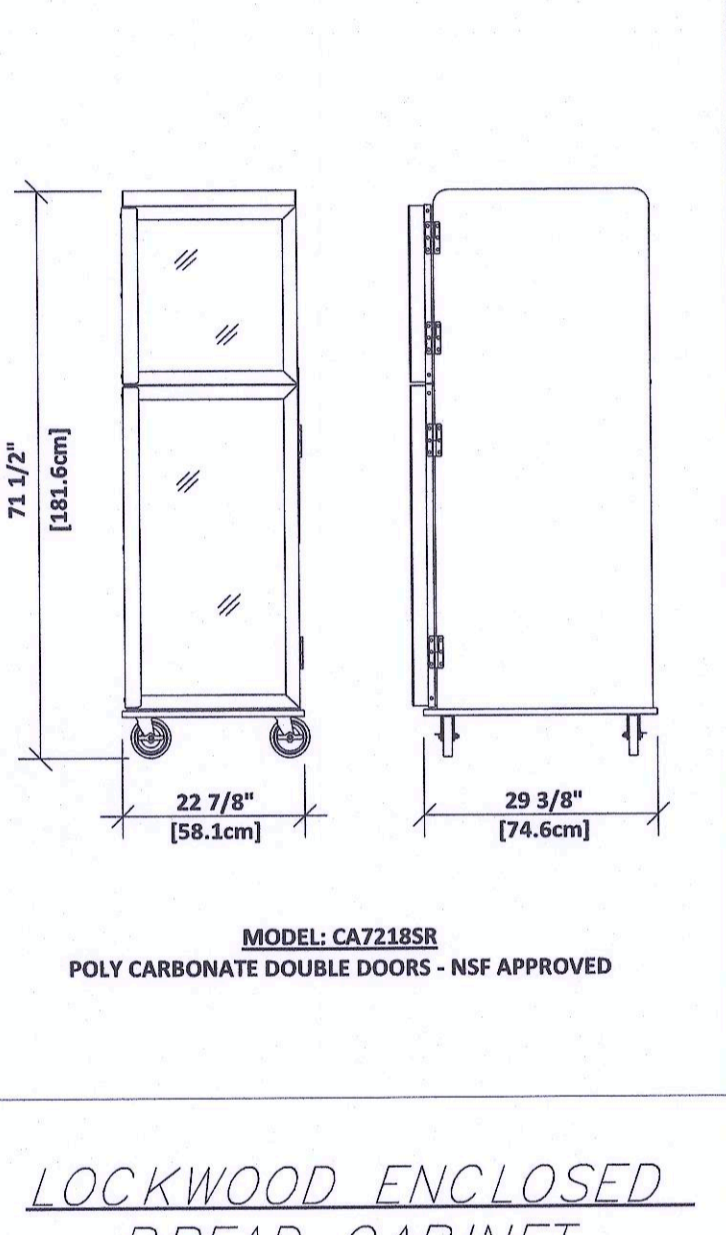
*CONDENSATE PUMP DRAIN HOSE MUST BE ROUTED TO REQUIRED FLOOR DRAIN AT INSTALLATION
ELECTRICAL REQUIREMENTS
120/60/1 - 16 AMPS, 5-20 NEMA PLUG

FEDERAL FRESH DISPLAY



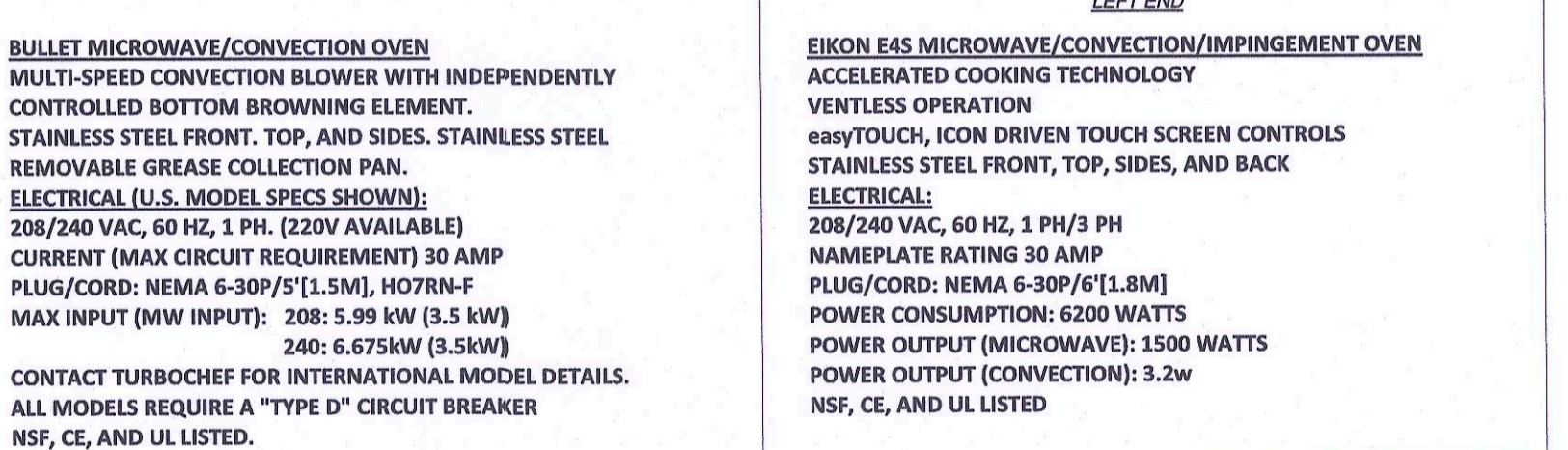
MODEL: CA72-RR12-6
POLY CARBONATE DOOR - NSF APPROVED

LOCKWOOD (OPEN/ENCLOSED) BREAD CABINET



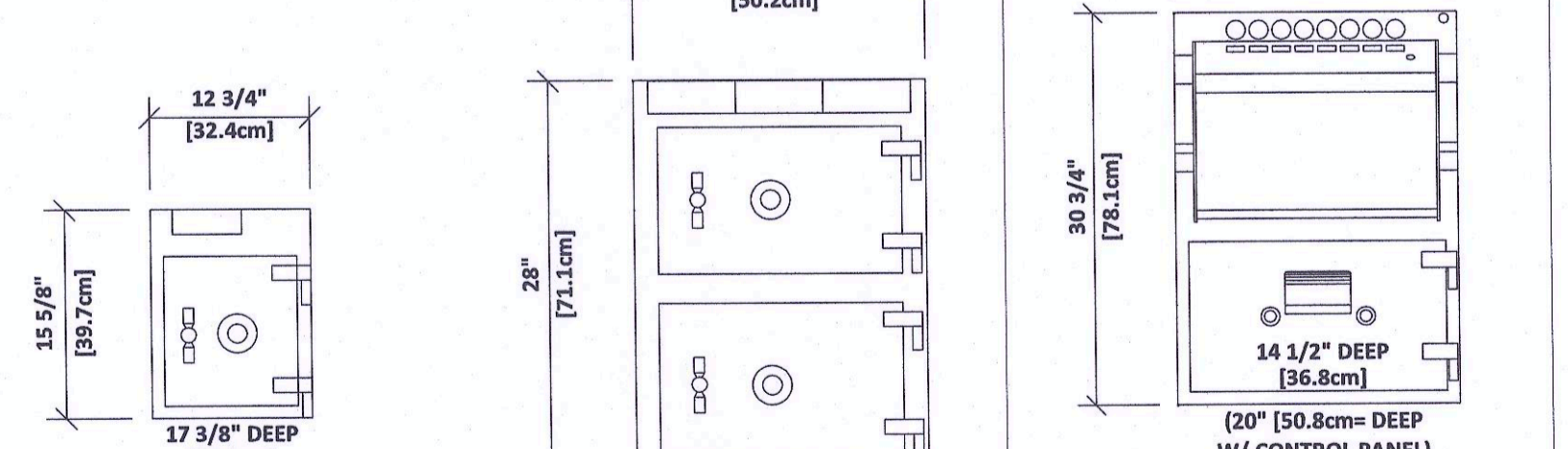
MODEL: CA7218SR
POLY CARBONATE DOUBLE DOORS - NSF APPROVED

LOCKWOOD ENCLOSED BREAD CABINET



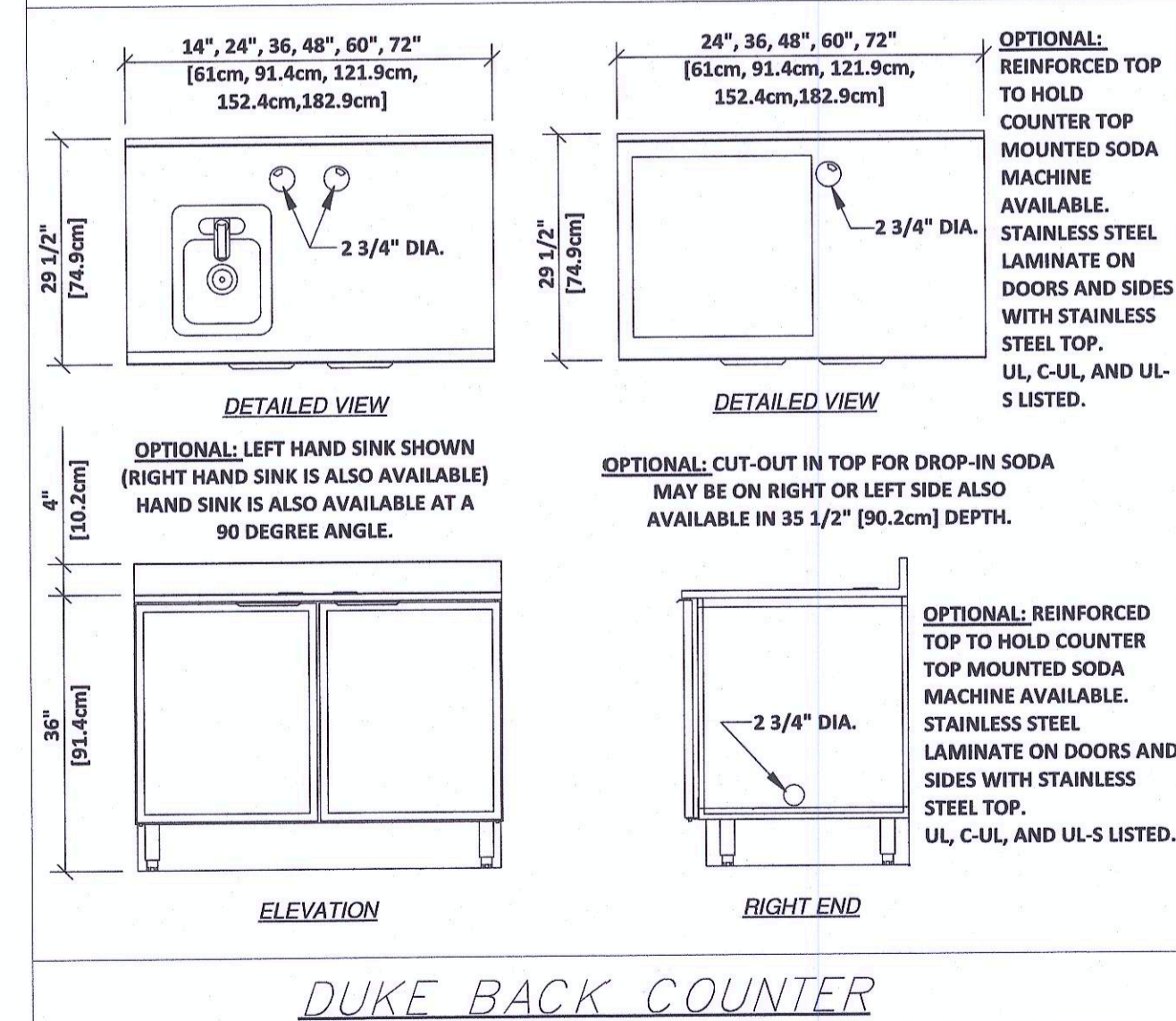
BULLET MICROWAVE/CONVECTION OVEN
MULTI-SPEED CONVECTION BLOWER WITH INDEPENDENTLY CONTROLLED BOTTOM BROWNING ELEMENT.
STAINLESS STEEL FRONT, TOP, AND SIDES. STAINLESS STEEL REMOVABLE GREASE COLLECTION PAN.
ELECTRICAL (U.S. MODEL SPECS SHOWN):
208/240 VAC, 60 HZ, 1 PH. (220V AVAILABLE)
CURRENT (MAX CIRCUIT REQUIREMENT) 30 AMP
PLUG/CORD: NEMA 6-30P/5'1.5M, HO7RN-F
MAX INPUT (MW INPUT): 208: 5.99 kW (3.5 kW)
240: 6.675kW (3.5kW)
CONTACT TURBOCHEF FOR INTERNATIONAL MODEL DETAILS.
ALL MODELS REQUIRE A "TYPE D" CIRCUIT BREAKER
NSF, CE, AND UL LISTED.

TURBOCHEF RAPID COOK OVEN

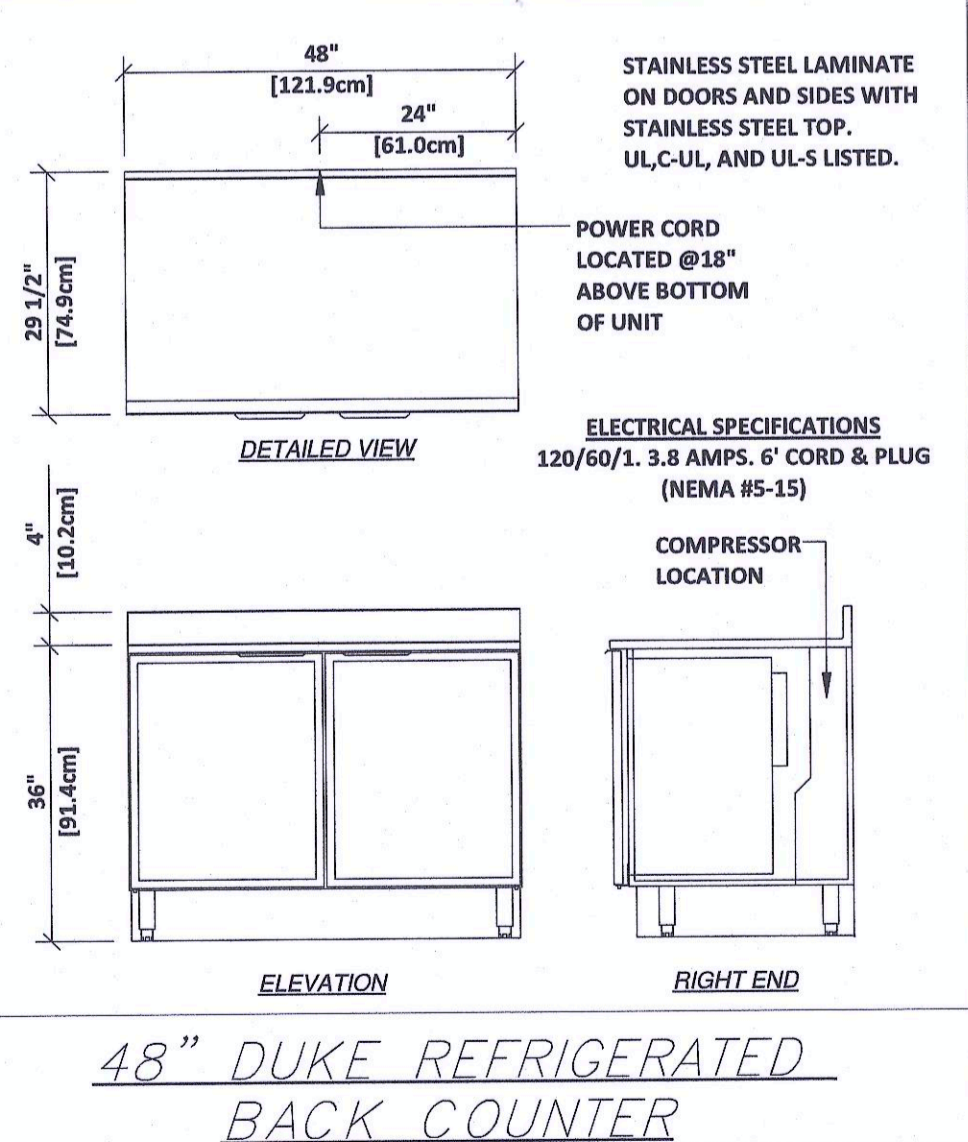


EIKON EAS MICROWAVE/CONVECTION/IMPINGEMENT OVEN
ACCELERATED COOKING TECHNOLOGY
VENTLESS OPERATION
easyTOUCH, ICON DRIVEN TOUCH SCREEN CONTROLS
STAINLESS STEEL FRONT, TOP, SIDES, AND BACK
ELECTRICAL:
208/240 VAC, 60 HZ, 1 PH/3 PH
NAMEPLATE RATING 30 AMP
PLUG/CORD: NEMA 6-30P/6'1.8M
POWER CONSUMPTION: 6200 WATTS
POWER OUTPUT (MICROWAVE): 1500 WATTS
POWER OUTPUT (CONVECTION): 3.2W
NSF, CE, AND UL LISTED

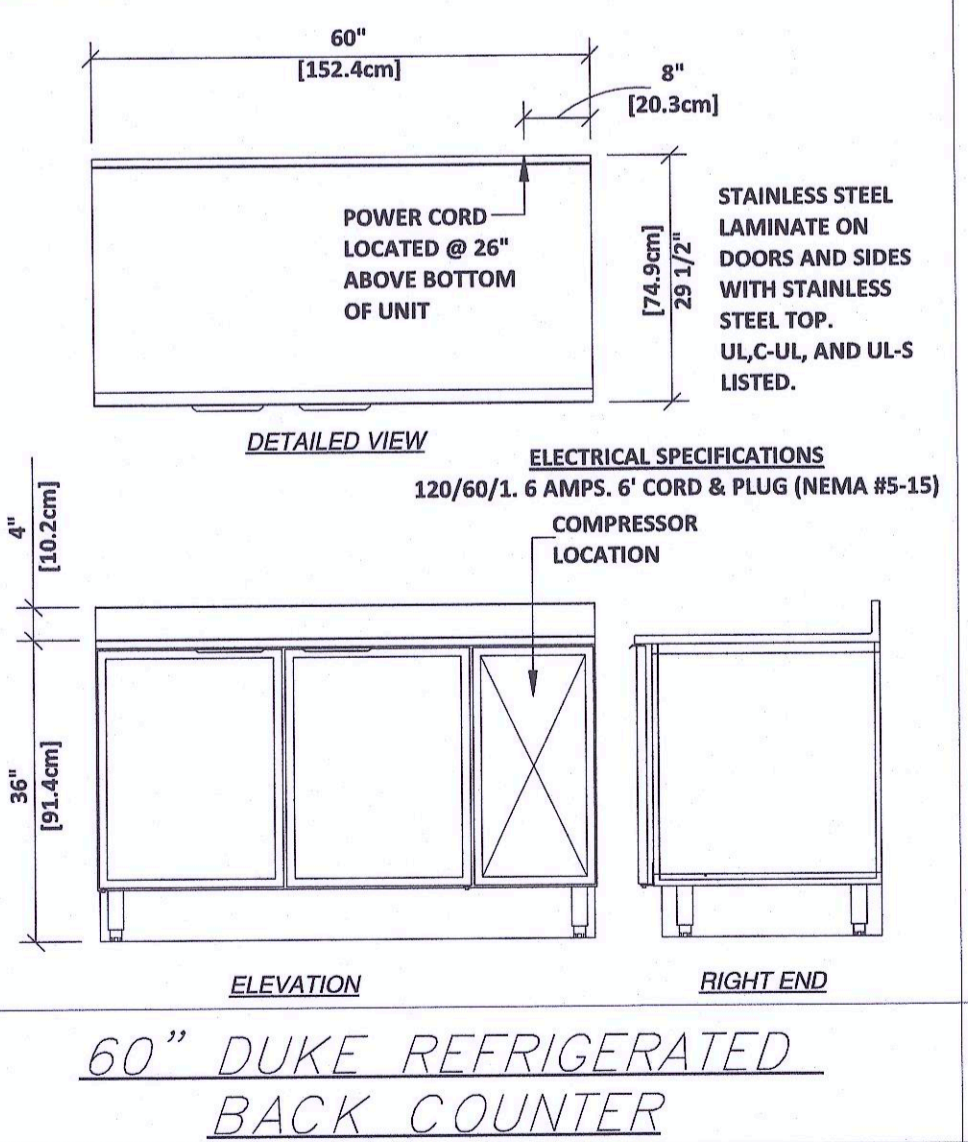
MERRYCHEF RAPID COOK OVEN



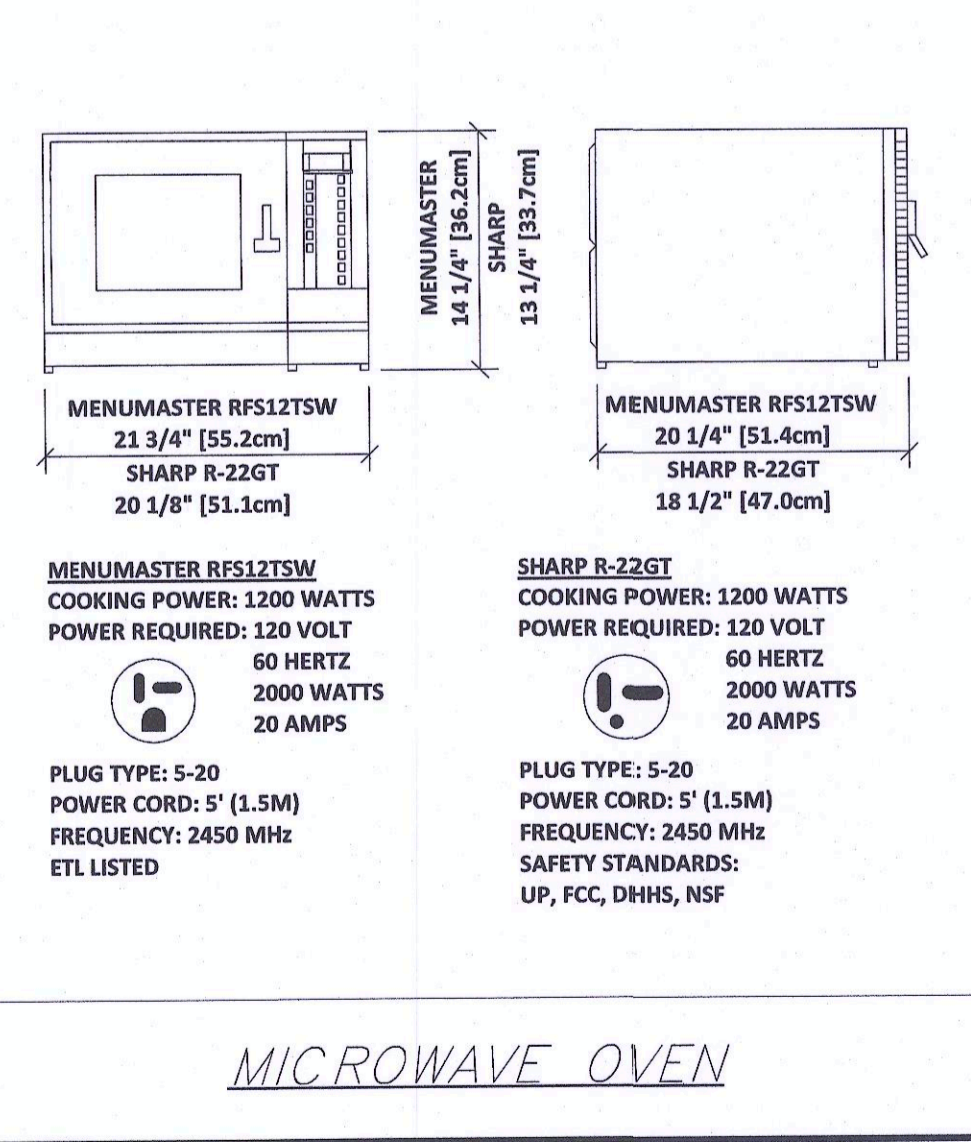
DUKE BACK COUNTER



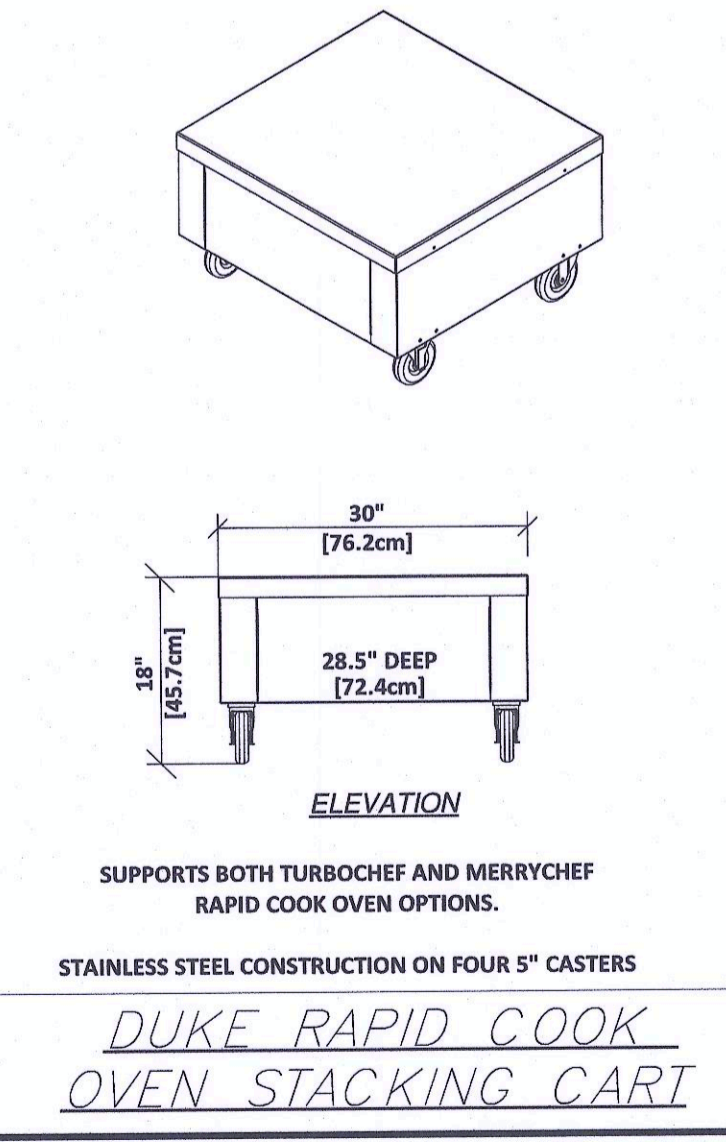
48" DUKE REFRIGERATED BACK COUNTER



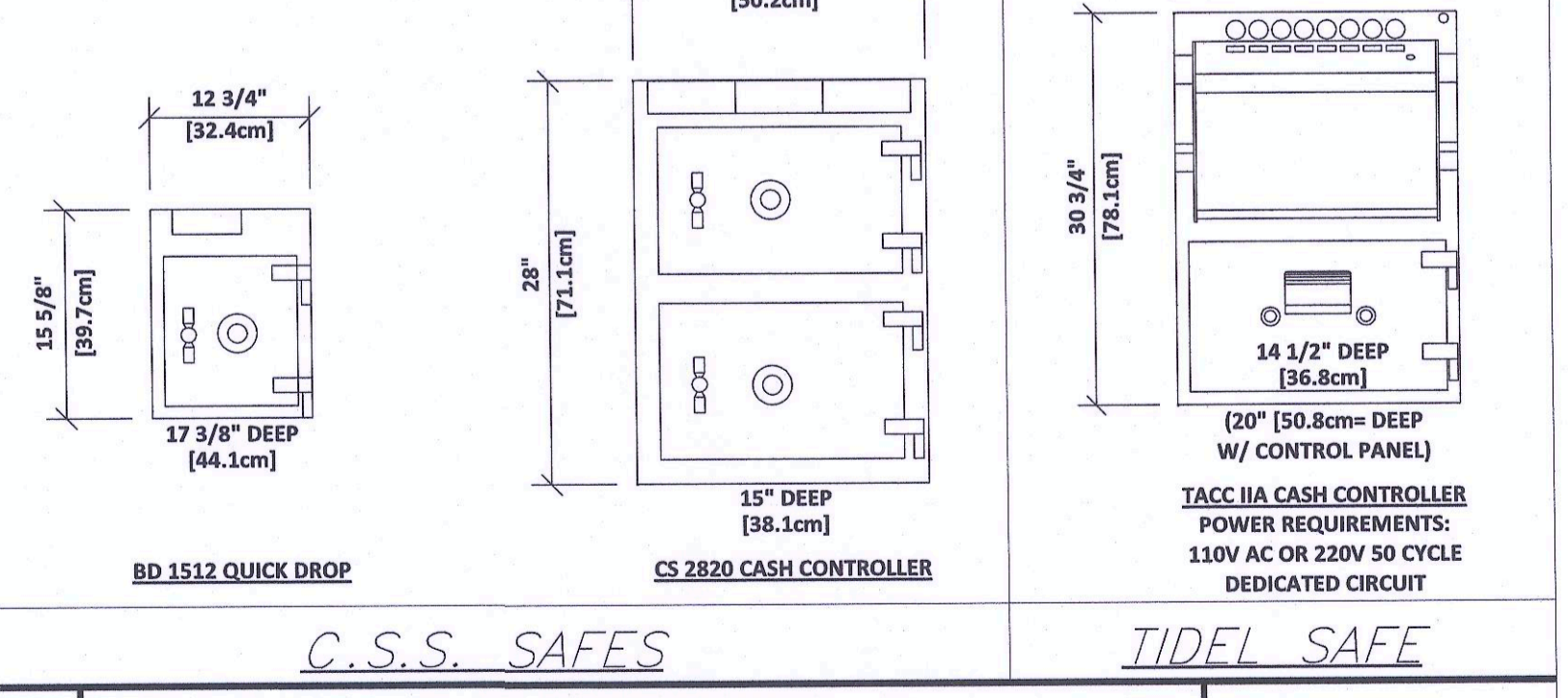
60" DUKE REFRIGERATED BACK COUNTER



MICROWAVE OVEN



DUKE RAPID COOK OVEN STACKING CART



C.S.S. SAFES

SUBWAY
WORLD HEADQUARTERS
325 SUB WAY
MILFORD, CT 06461
(203) 877-4281 (800)888-4848

THIS DRAWING IS FURNISHED BY FWH ON BEHALF OF SURWAY IP, L.L.C. ("SIP") DBA SURWAY. RECIPIENT MUST DETERMINE IF THIS DRAWING MUST BE SUBMITTED TO A LICENSED ARCHITECT OR SIMILAR PROFESSIONAL UNDER FEDERAL, STATE OR LOCAL LAW. ANY CHANGES MUST BE APPROVED BY SIP.
DO NOT SCALE DRAWING. WRITTEN DIMENSIONS TAKE PRECEDENCE OVER SCALED DIMENSIONS, AND SHALL BE VERIFIED IN THE FIELD BY THE GENERAL CONTRACTOR AND/OR FRANCHISEE/OWNER. ANY DISCREPANCY IN DIMENSIONS SHALL BE BROUGHT TO THE IMMEDIATE ATTENTION OF YOUR AREA DEVELOPMENT AGENT OR DESIGNATED FIELD REPRESENTATIVE.
THE GENERAL CONTRACTOR AND EACH SUB-CONTRACTOR SHALL MAKE HIS OWN INSPECTIONS AND MEASUREMENTS. FWH AND SIP SHALL NOT BE HELD RESPONSIBLE FOR THE ACCURACY OF DIMENSIONS AND FOR ERRORS AND OMISSIONS IN THE DRAWINGS IF WRITTEN CONFIRMATION HAD NOT BEEN RECEIVED BY THE FWH STORE DESIGN DEPARTMENT.
THIS DRAWING AND THE INFORMATIONAL CONTENT HERE OF IS THE CONFIDENTIAL PROPERTY OF SIP AND IS PROVIDED SOLELY FOR THE USE OF AUTHORIZED FRANCHISEES, THEIR AGENTS AND CONTRACTORS. RECIPIENT AGREES NOT TO REPRODUCE, COPY, USE OR TRANSMIT THIS DRAWING AND/OR ITS INFORMATIONAL CONTENT, IN WHOLE OR IN PART, OR TO ALLOW SUCH ACTION BY OTHERS, FOR ANY PURPOSE, EXCEPT WITH THE WRITTEN PERMISSION OF SIP OR FWH ACTING ON BEHALF OF SIP. RECIPIENT FURTHER AGREES TO SURRENDER THIS DRAWING AND ANY PERMITTED COPIES HEREOF UPON DEMAND.

DESIGNED BY: DAN BOURQUE
DATE: AUGUST 1, 2018
NOTE: THESE DRAWINGS REPRESENT TYPICAL EQUIPMENT PURCHASED THROUGH DOCTOR'S ASSOCIATES LLC. AND DOES NOT REPRESENT ANY EQUIPMENT PURCHASED LOCALLY BY THE FRANCHISEE/OWNER. OWNERS OF STORES OUTSIDE THE UNITED STATES AND CANADA MAY NEED ALTERNATE ELECTRICAL REQUIREMENTS. CONTACT YOUR FWH COORDINATOR OR THE MANUFACTURER FOR THE MODIFIED ELECTRICAL SPECIFICATIONS.
STORES MUST BE CONSTRUCTED AS DESIGNED IN THESE FLOOR PLANS SUBJECT TO FEDERAL, STATE AND LOCAL LAWS. RECIPIENT IS RESPONSIBLE FOR ENSURING COMPLIANCE WITH ALL LAWS. IF MODIFICATIONS ARE NECESSARY, PLEASE CONTACT THE FWH STORE DESIGN DEPARTMENT FOR WRITTEN APPROVAL OF THE REQUIRED CHANGES.

EQUIPMENT BACK-UP SHEETS

SHEET #: 2 OF 2
SCALE: NOT TO SCALE
© 2018 SUBWAY IP, L.L.C.