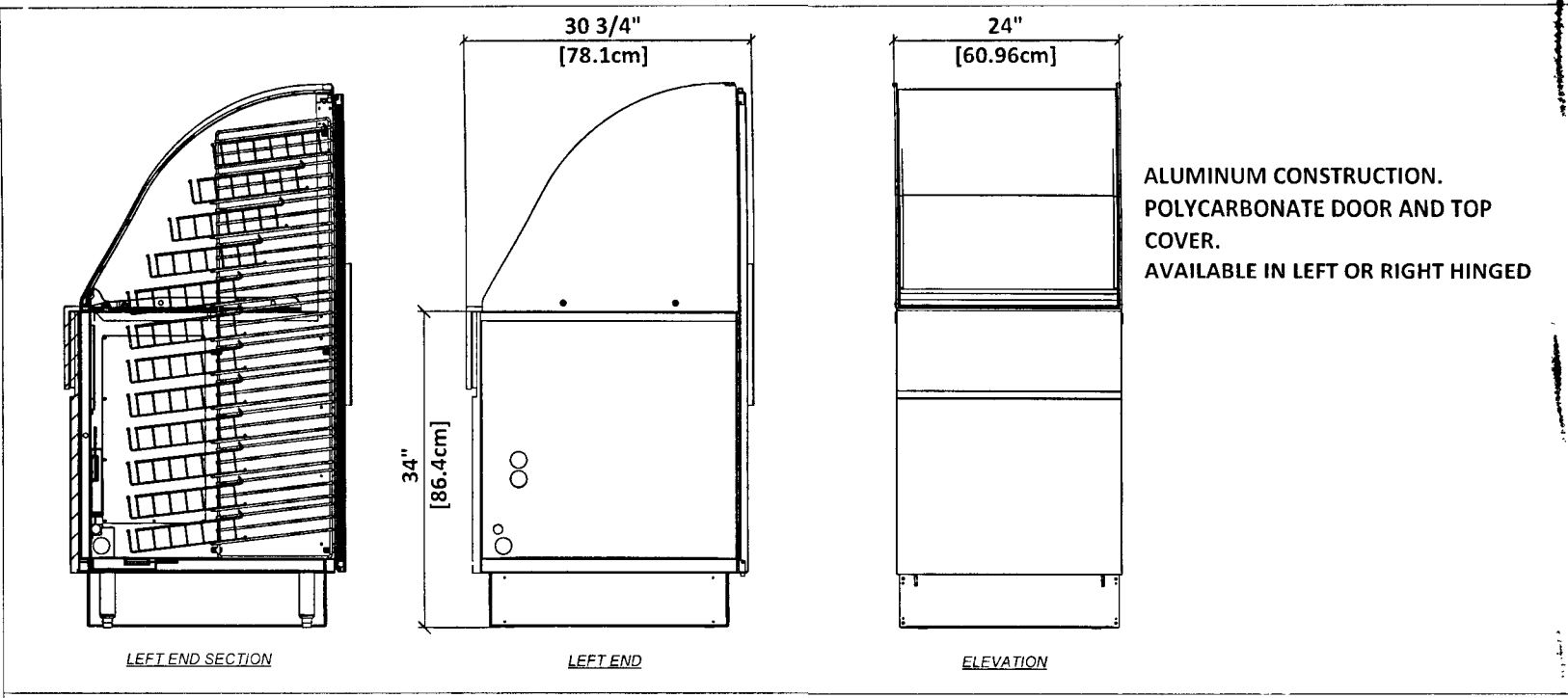


MODEL: CR18  
LEXAN DOUBLE DOORS - NSF APPROVED

MODEL: HCR18  
LEXAN DOUBLE DOORS - NSF APPROVED

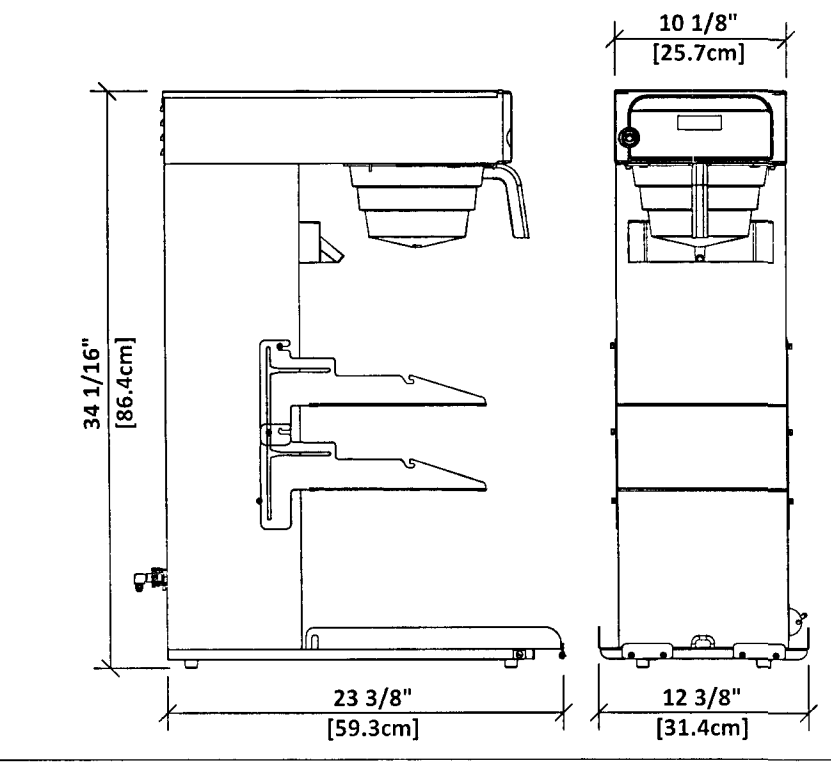
*NUVU (OPEN/ENCLOSED) BREAD CABINET*

*NUVU ENCLOSED BREAD CABINET*



*DUKE FRONTLINE BREAD DISPLAY CABINET*

ALUMINUM CONSTRUCTION.  
POLYCARBONATE DOOR AND TOP COVER.  
AVAILABLE IN LEFT OR RIGHT HINGED

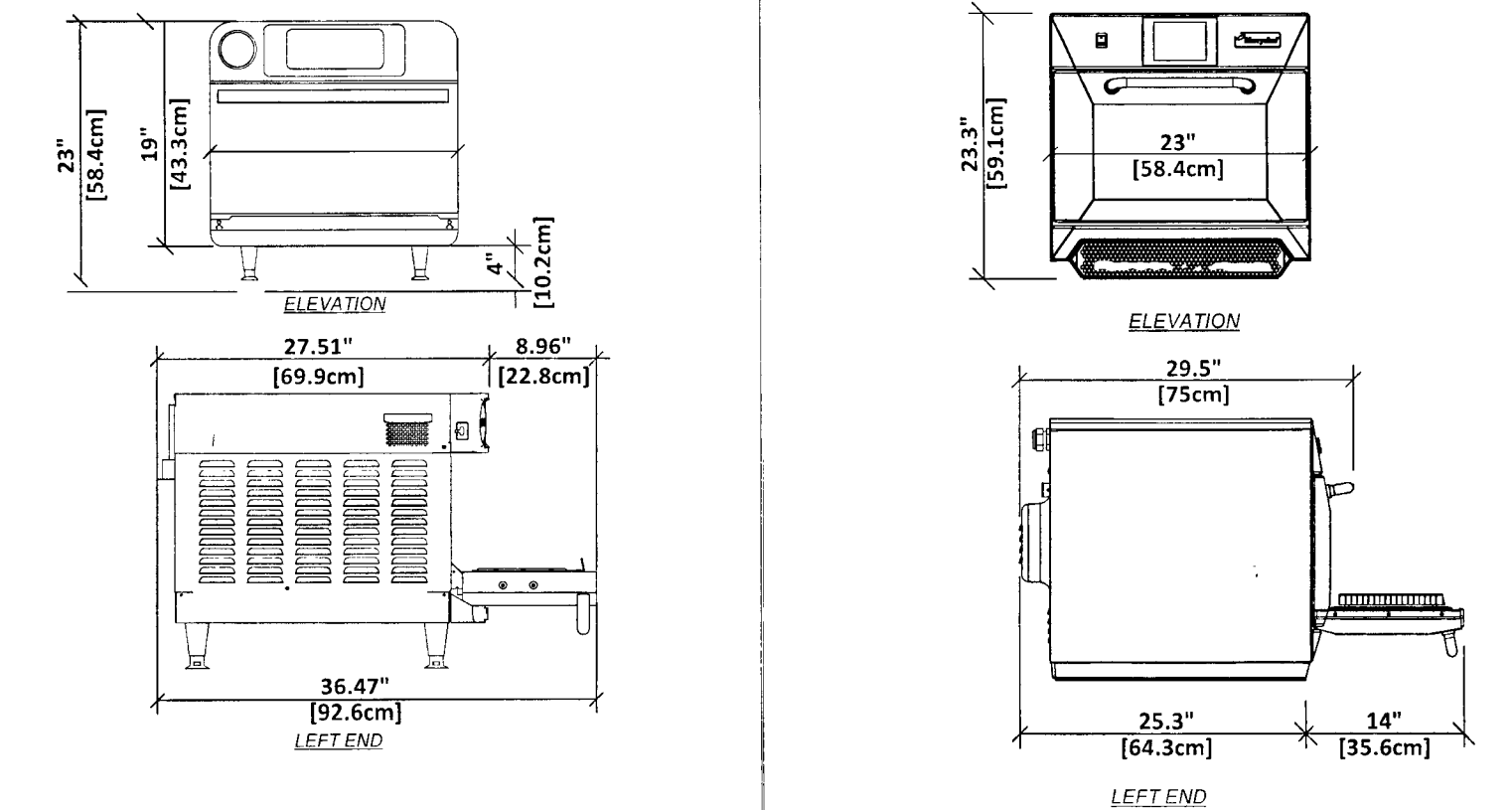


*BUNN INFUSION ITCB BREWER*

**ELECTRICAL**  
120V, 14 AMPS, 1700 TOTAL WATTS.  
2-WIRES PLUS GROUND SERVICE RATES 120V, SINGLE PHASE, 60 HZ.  
15 AMP DEDICATED CIRCUIT REQUIRED. POWER CORD NEMA 5-15P.

**PLUMBING**  
20-90psi MODEL SUPPLIED WITH A 1/4" MALE FLARE FITTING. REQUIRES MIN. 1GPM WATER FLOW.

UL LISTED. NSF APPROVED.



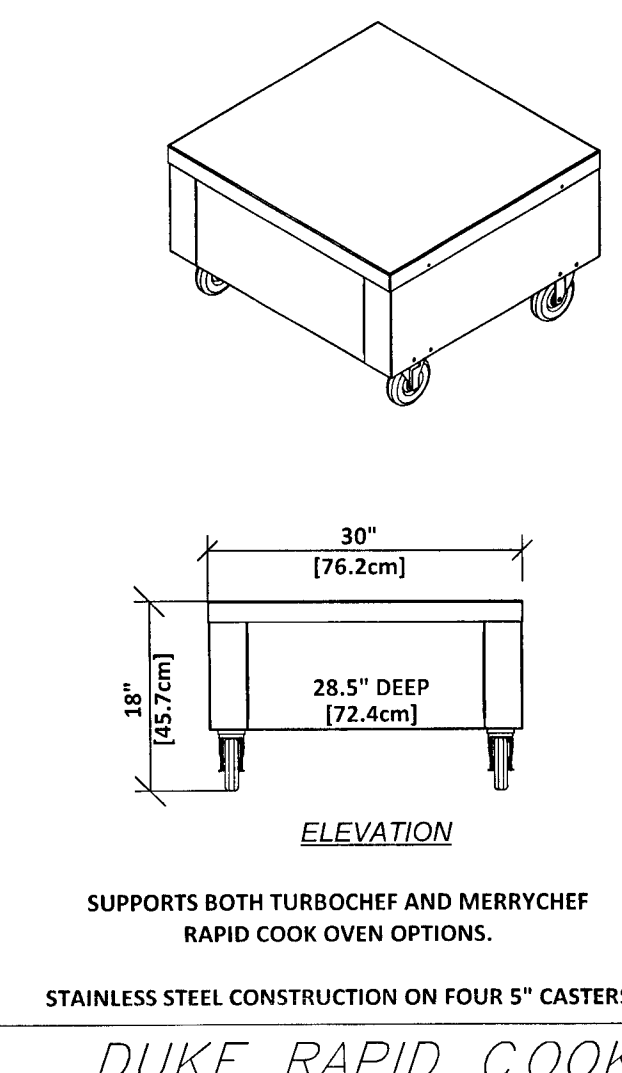
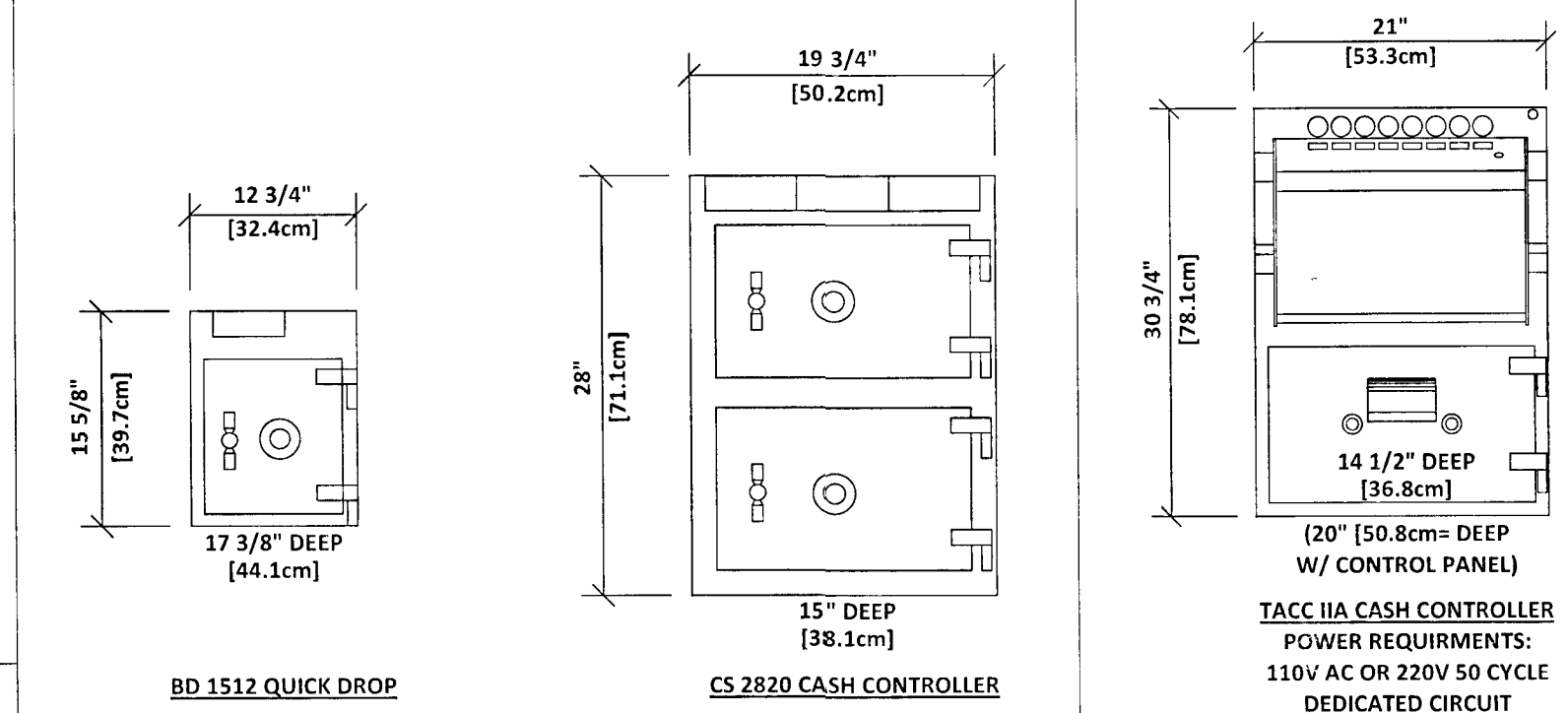
**BULLET MICROWAVE/CONVECTION OVEN**  
MULTI-SPEED CONVECTION BLOWER WITH INDEPENDENTLY CONTROLLED BOTTOM BROWNING ELEMENT.  
STAINLESS STEEL FRONT, TOP, AND SIDES. STAINLESS STEEL REMOVABLE GREASE COLLECTION PAN.  
ELECTRICAL (U.S. MODEL SPECS SHOWN):  
208/240 VAC, 60 HZ, 1 PH. (220V AVAILABLE)  
CURRENT (MAX CIRCUIT REQUIREMENT) 30 AMP  
PLUG/CORD: NEMA 6-30P/5' (1.5M), HO7RN-F  
MAX INPUT (MW INPUT): 208: 5.99 kW (3.5 kW)  
240: 6.675 kW (3.5 kW)

**EIKON E45 MICROWAVE/CONVECTION/IMPINGEMENT OVEN**  
ACCELERATED COOKING TECHNOLOGY  
VENTLESS OPERATION  
EASY TOUCH, ICON DRIVEN TOUCH SCREEN CONTROLS  
STAINLESS STEEL FRONT, TOP, SIDES, AND BACK  
ELECTRICAL:  
208/240 VAC, 60 HZ, 1 PH. (220V AVAILABLE)  
NAMEPLATE RATING 30 AMP  
PLUG/CORD: NEMA 6-30P/5' (1.5M)  
POWER CONSUMPTION: 6200 WATTS  
POWER OUTPUT (MICROWAVE): 1500 WATTS  
POWER OUTPUT (CONVECTION): 3.2w  
NSF, CE, AND UL LISTED

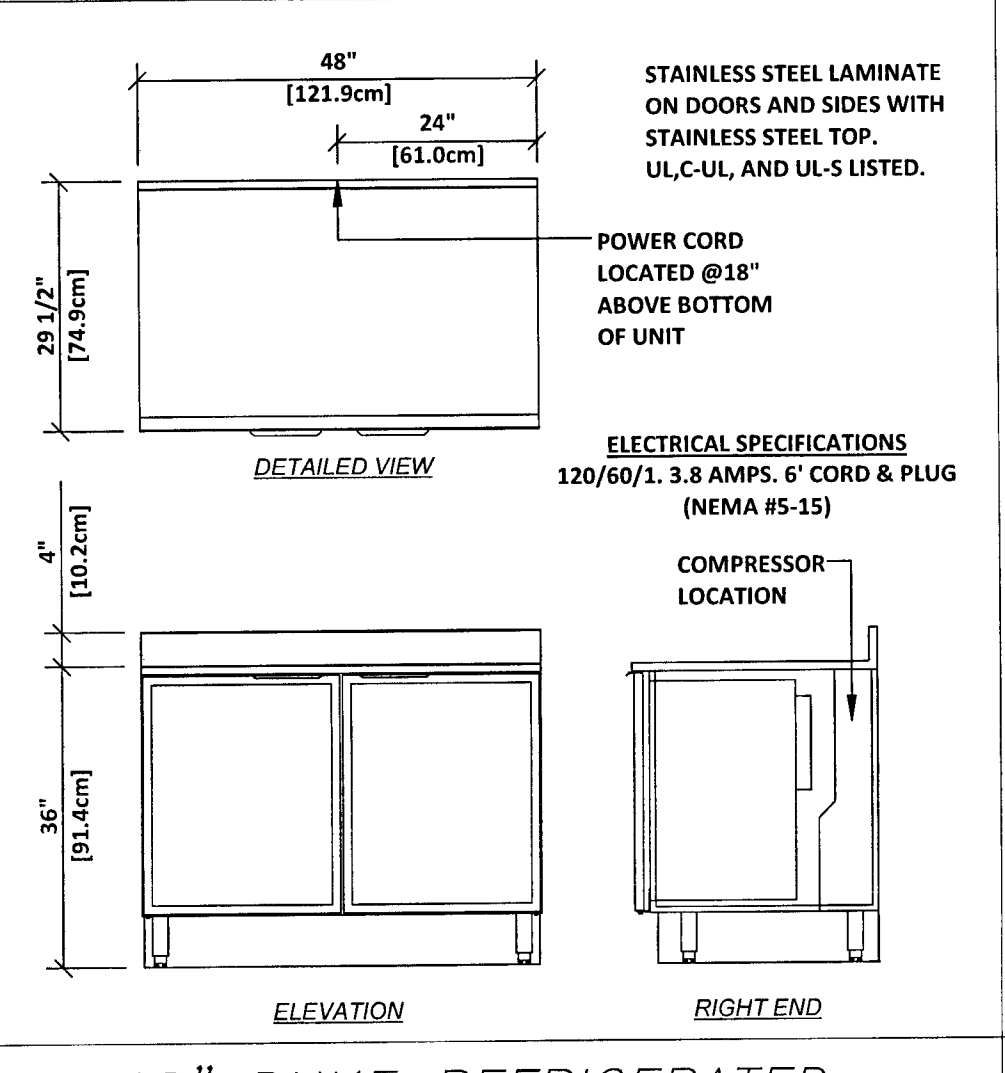
CONTACT TURBOCHEF FOR INTERNATIONAL MODEL DETAILS.  
ALL MODELS REQUIRE A "TYPE D" CIRCUIT BREAKER  
NSF, CE, AND UL LISTED.

*TURBOCHEF RAPID COOK OVEN*

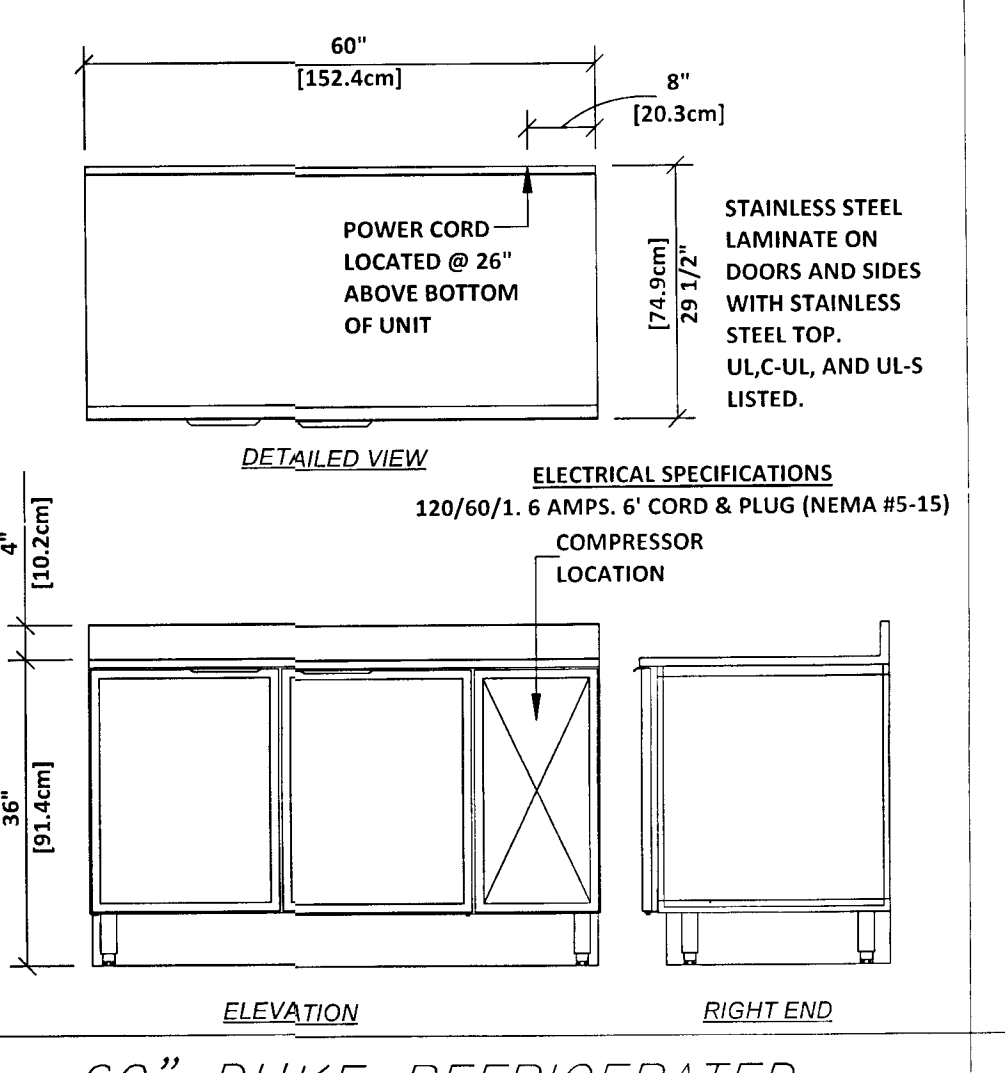
*MERRYCHEF RAPID COOK OVEN*



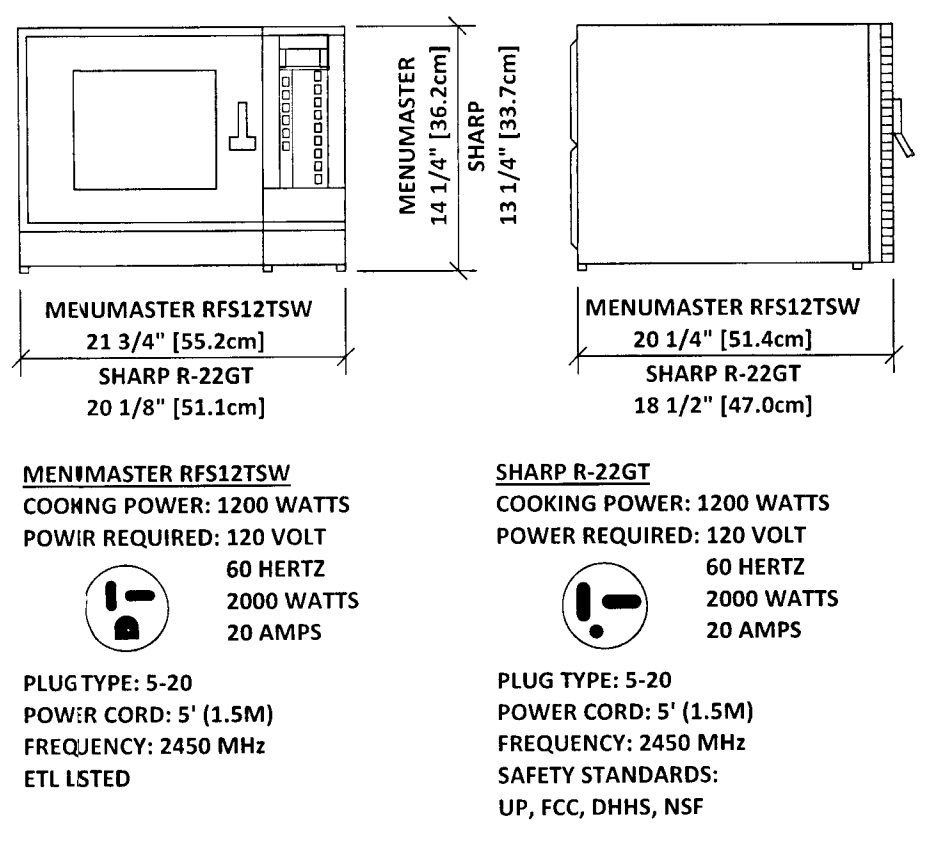
*DUKE BACK COUNTER*



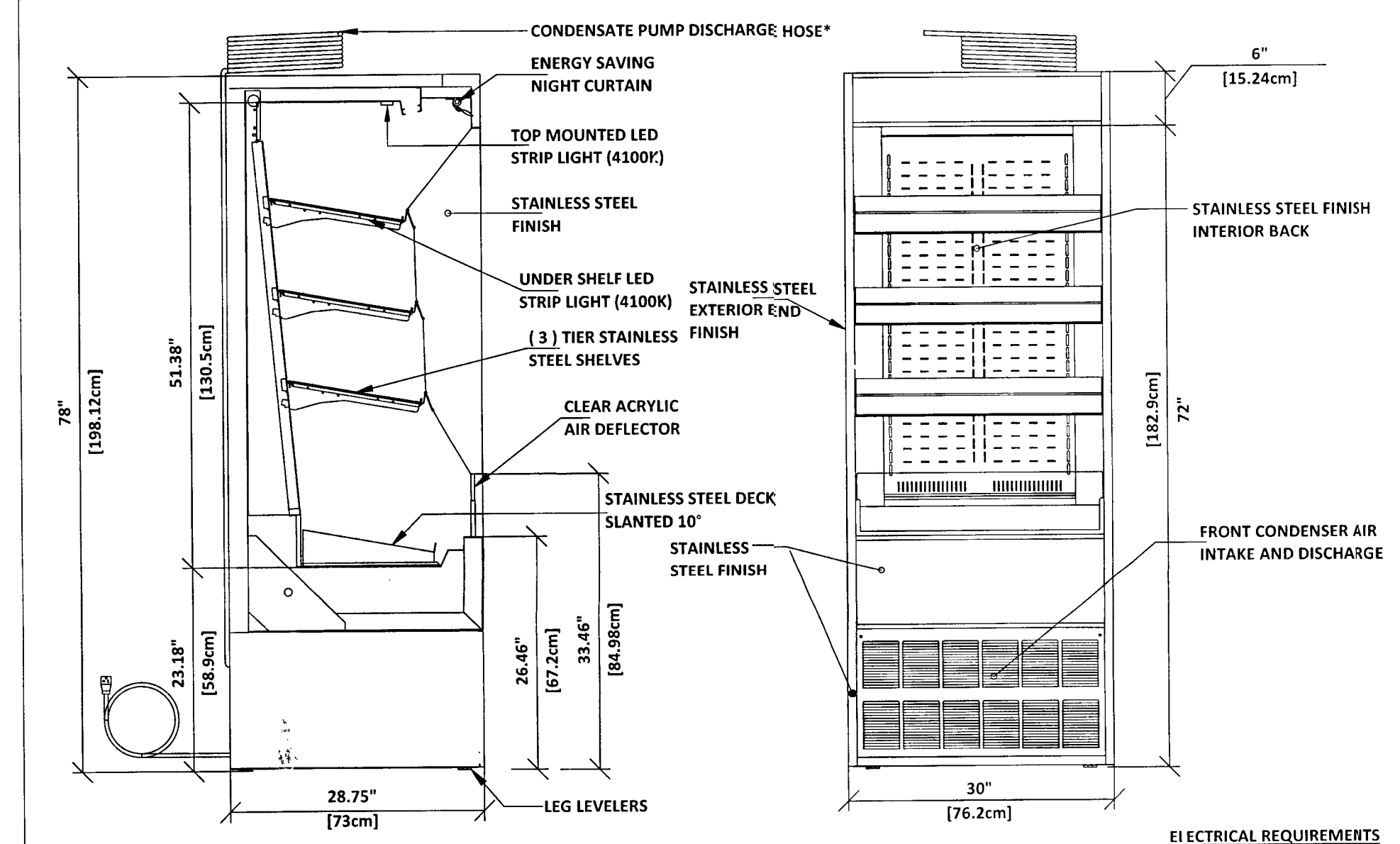
*48" DUKE REFRIGERATED BACK COUNTER*



*60" DUKE REFRIGERATED BACK COUNTER*



*MICROWAVE OVEN*



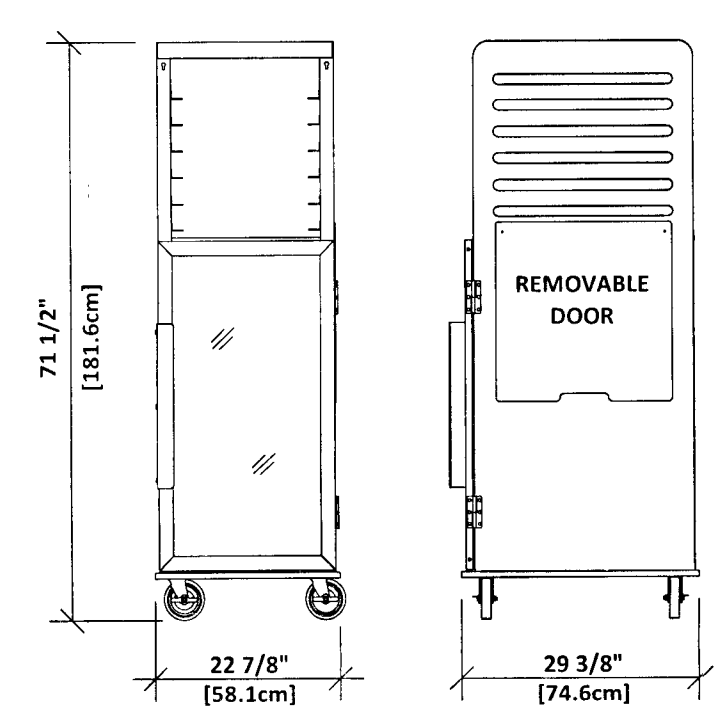
*FEDERAL FRESH DISPLAY*

\*CONDENSATE PUMP DRAIN HOSE MUST BE ROUTED TO FLOOR DRAIN AT INSTALLATION

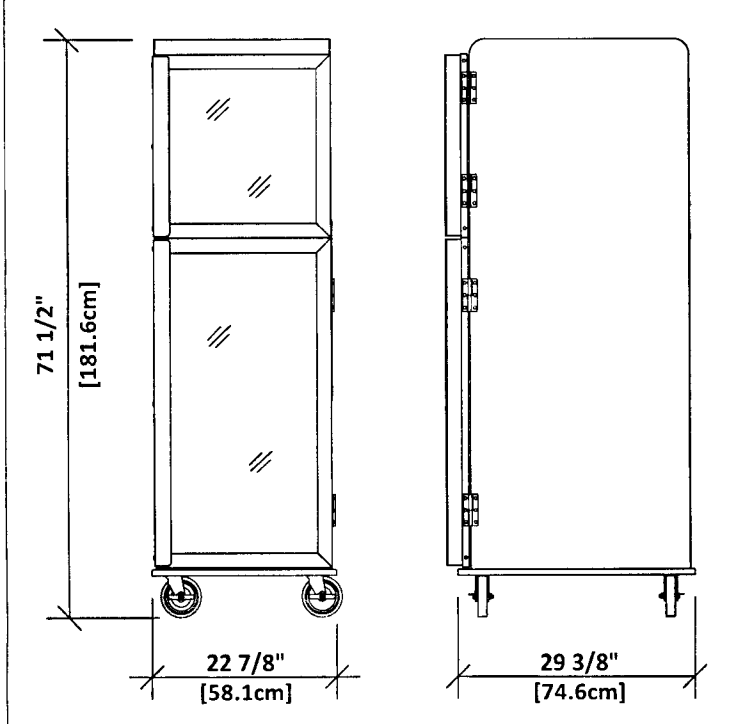
**ELECTRICAL REQUIREMENTS**  
120V/60/1 - 16 AMPS, 5-20 NEMA PLUG

*LOCKWOOD (OPEN/ENCLOSED) BREAD CABINET*

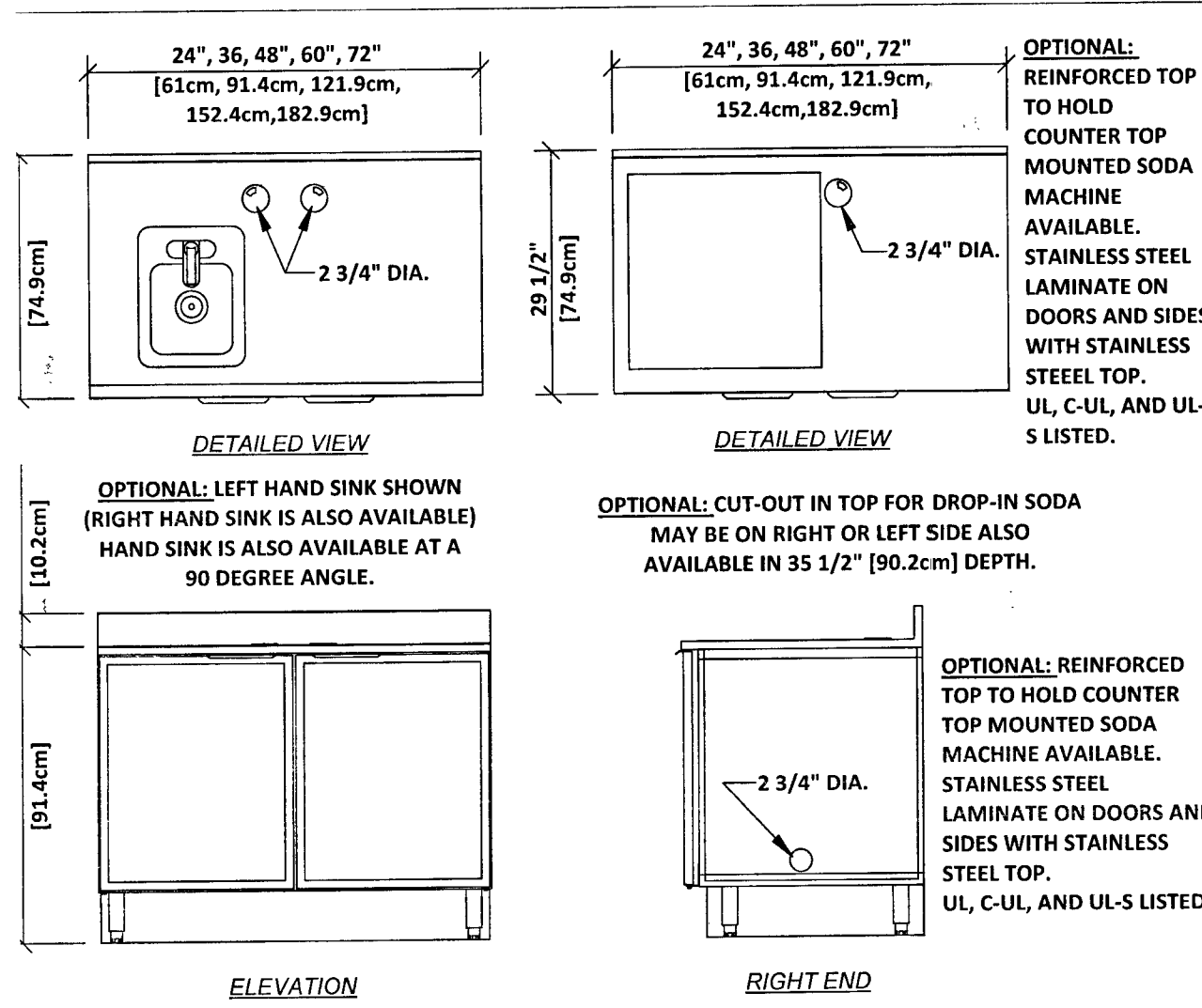
*LOCKWOOD ENCLOSED BREAD CABINET*



MODEL: CA72-RR12-6  
POLY CARBONATE DOOR - NSF APPROVED



MODEL: CA7218SR  
POLY CARBONATE DOUBLE DOORS - NSF APPROVED



DESIGNED BY:  
**DAN BOURQUE**

DATE:  
**MAY 10, 2017**

**NOTE: THESE DRAWINGS REPRESENT TYPICAL EQUIPMENT PURCHASED THROUGH DOCTOR'S ASSOCIATES INC. AND DOES NOT REPRESENT ANY EQUIPMENT PURCHASED LOCALLY BY THE FRANCHISEE/OWNER. OWNERS OF STORES OUTSIDE THE UNITED STATES AND CANADA MAY NEED ALTERNATE ELECTRICAL REQUIREMENTS. CONTACT YOUR FWH COORDINATOR OR THE MANUFACTURER FOR THE MODIFIED ELECTRICAL SPECIFICATIONS.**

**STORES MUST BE CONSTRUCTED AS DESIGNED IN THESE FLOOR PLANS SUBJECT TO FEDERAL, STATE AND LOCAL LAWS. RECIPIENT IS RESPONSIBLE FOR ENSURING COMPLIANCE WITH ALL LAWS. IF MODIFICATIONS ARE NECESSARY, PLEASE CONTACT THE FWH STORE DESIGN DEPARTMENT FOR WRITTEN APPROVAL OF THE REQUIRED CHANGES.**

# EQUIPMENT BACK-UP SHEETS

**WHP**  
WORLD HEADQUARTERS  
325 SUB WAY  
MILFORD, CT 06461  
(203) 877-4281 (800)888-4848

SHEET #:  
**2 OF 2**

SCALE:  
**NOT TO SCALE**

© 2016 SUBWAY IP, INC.

THIS DRAWING IS FURNISHED BY FWH ON BEHALF OF SUBWAY IP, INC. ("SIP") DBA SUBWAY. RECIPIENT MUST DETERMINE IF THIS DRAWING MUST BE SUBMITTED TO A LICENSED ARCHITECT OR SIMILAR PROFESSIONAL UNDER FEDERAL, STATE OR LOCAL LAW. ANY CHANGES MUST BE APPROVED BY SIP.

DO NOT SCALE DRAWING. WRITTEN DIMENSIONS TAKE PRECEDENCE OVER SCALED DIMENSIONS. AND SHALL BE VERIFIED IN THE FIELD BY THE GENERAL CONTRACTOR AND/OR FRANCHISEE/OWNER. ANY DISCREPANCY IN DIMENSIONS SHALL BE BROUGHT TO THE IMMEDIATE ATTENTION OF YOUR AREA DEVELOPMENT AGENT OR DESIGNATED FIELD REPRESENTATIVE.

THE GENERAL CONTRACTOR AND EACH SUB-CONTRACTOR SHALL MAKE HIS OWN INSPECTIONS AND MEASUREMENTS. FWH AND SIP SHALL NOT BE HELD RESPONSIBLE FOR THE ACCURACY OF DIMENSIONS AND FOR ERRORS AND OMISSIONS IN THE DRAWINGS IF WRITTEN CONFIRMATION HAD NOT BEEN RECEIVED BY THE FWH STORE DESIGN DEPARTMENT.

THIS DRAWING AND THE INFORMATIONAL CONTENT HERE OF IS THE CONFIDENTIAL PROPERTY OF SIP AND IS PROVIDED SOLELY FOR THE USE OF AUTHORIZED FRANCHISEES, THEIR AGENTS AND CONTRACTORS. RECIPIENT AGREES NOT TO REPRODUCE, COPY, USE OR TRANSMIT THIS DRAWING AND/OR ITS INFORMATIONAL CONTENT, IN WHOLE OR IN PART, OR TO ALLOW SUCH ACTION BY OTHERS, FOR ANY PURPOSE, EXCEPT WITH THE WRITTEN PERMISSION OF SIP OR FWH ACTING ON BEHALF OF SIP. RECIPIENT FURTHER AGREES TO SURRENDER THIS DRAWING AND ANY PERMITTED COPIES HEREOF UPON DEMAND.