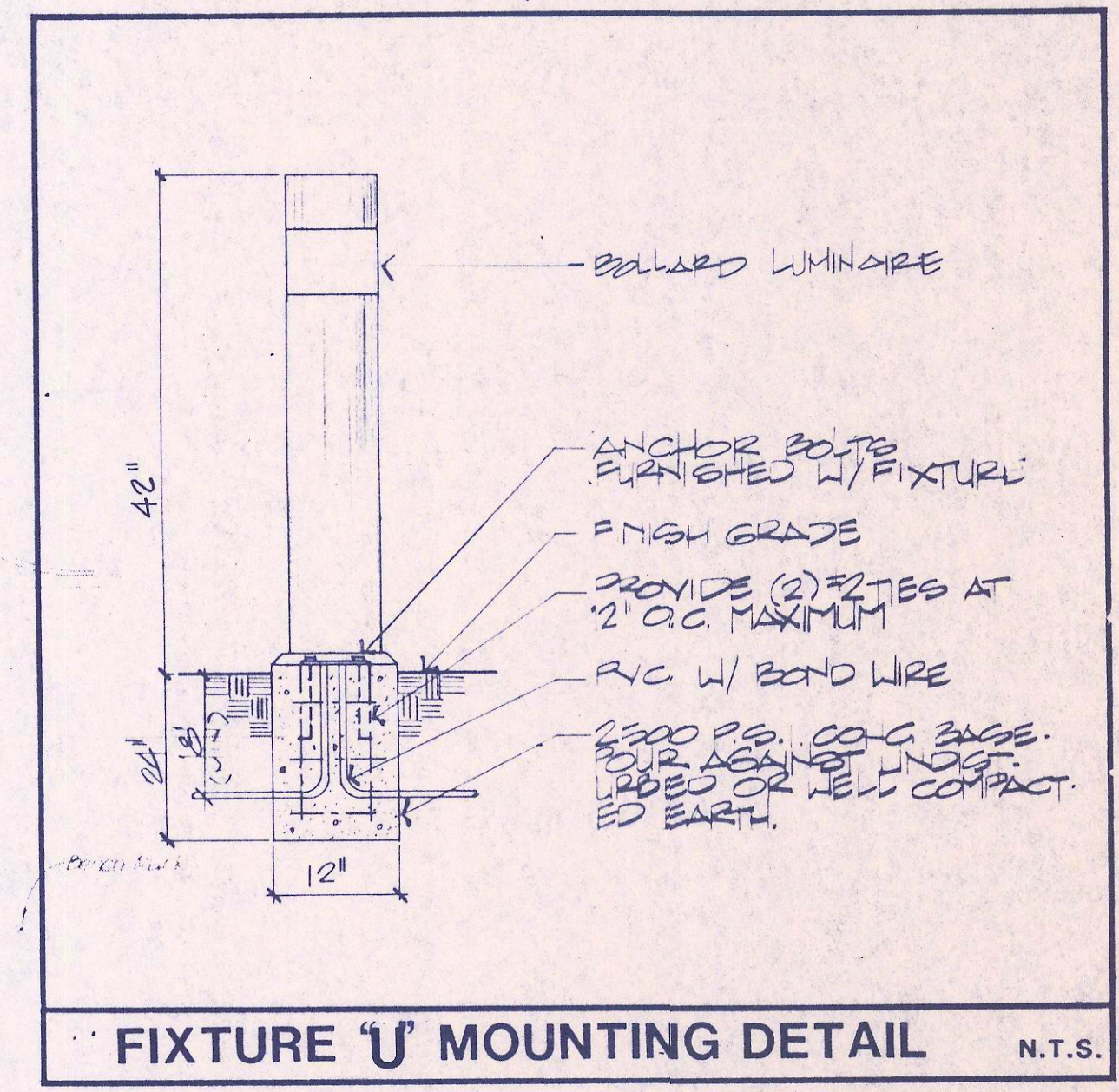
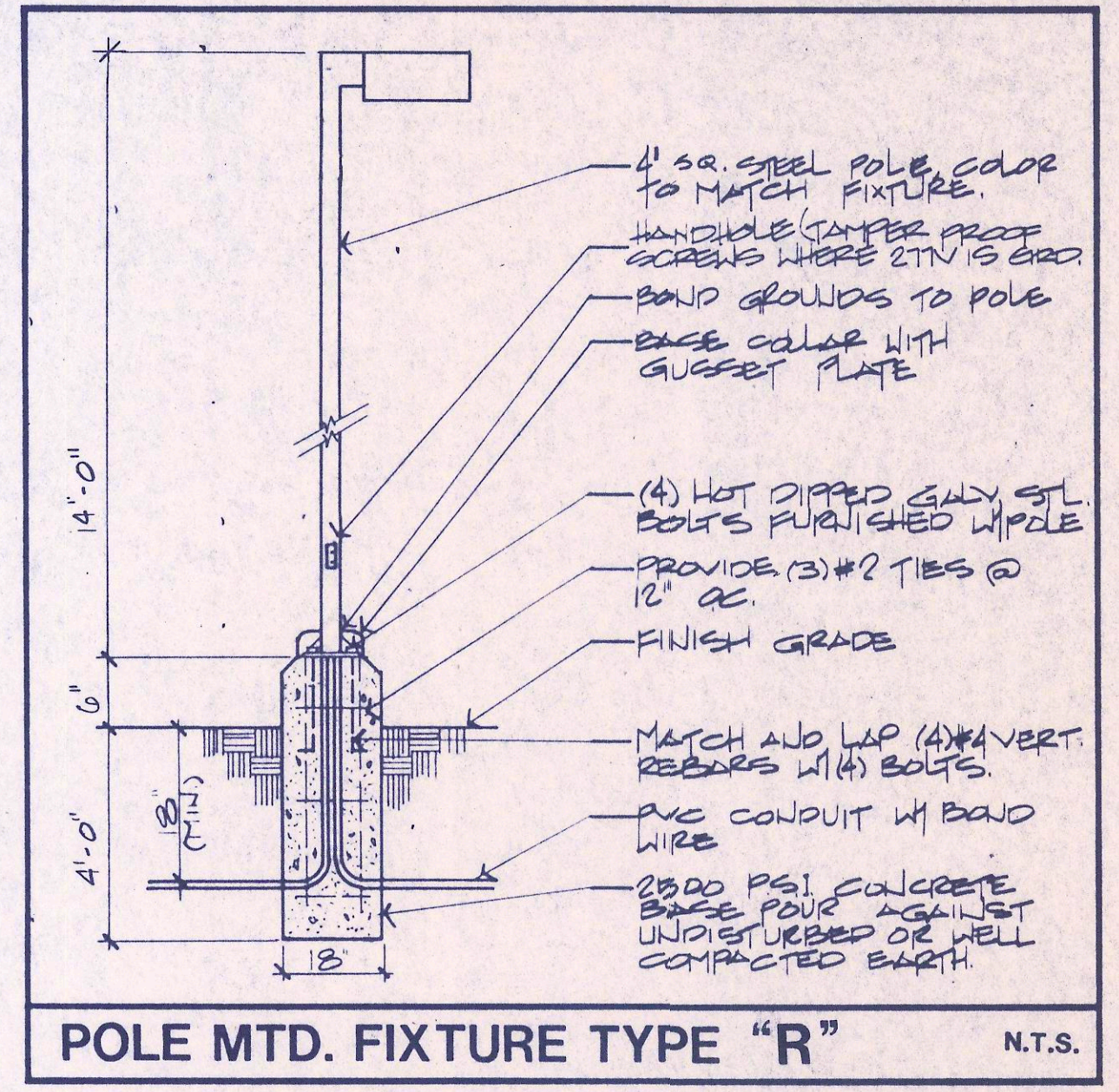


ELECTRICAL SITE PLAN
1":20'-0"



ALL CONCEPTS, DESIGNS, AND DATA INDICATED ON THESE DOCUMENTS ARE THE SOLE PROPERTY OF PETERSON ASSOCIATES ENGINEERS, INC. AND SHALL NOT BE USED FOR ANY OTHER PURPOSE THAN ORIGINALLY INTENDED WITHOUT THE WRITTEN PERMISSION OF THE ENGINEER.

Power Co. CITIZENS UTILITY Tel. Co. CITIZENS UTILITY CO.
Contact: GLEN BENSON Contact: JENNY HIRSCH
Tel. # 753-2124 Tel. # 757-0229

PETERSON ASSOCIATES
CONSULTING ENGINEERS INC.
1717 East Morten, Suite 100
Phoenix, Arizona 85020
602-943-4116
Job No 88875

Architecture/Planning/Interior Design
LENDRUM DESIGN GROUP
3033 North Forty-fourth Street
Phoenix, Arizona 85018
602/955-2100

MeraBank
BRANCH BANK KINGMAN, ARIZONA

JOB NUMBER
DATE 11-11-88
DRAWN JKS
CHECKED JJS
SHEET TITLE ELECTRICAL SITE PLAN
SCALE 1":20'-0"
REVISIONS
DRAWING NUMBER **E1.0**