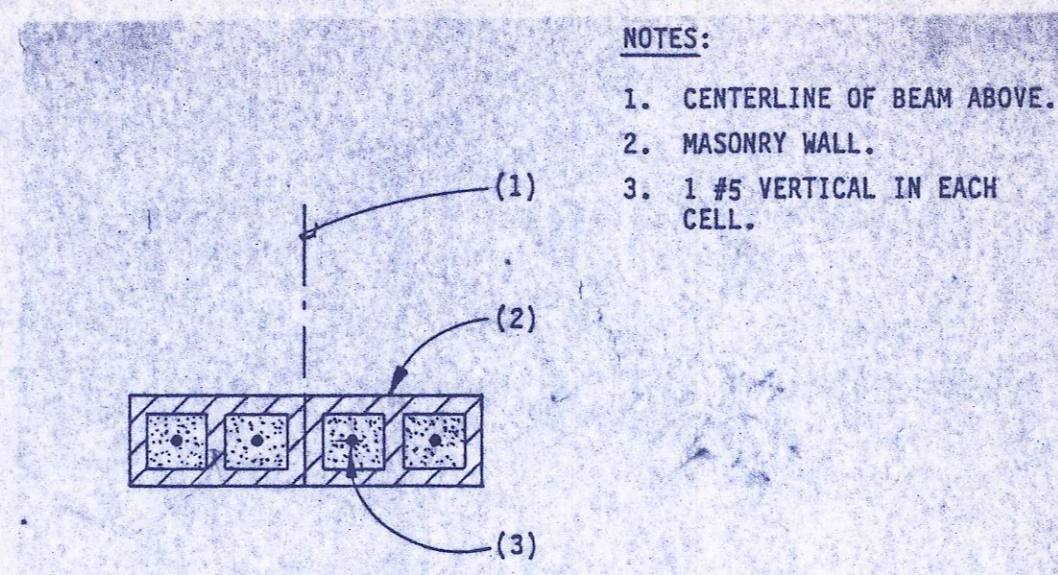
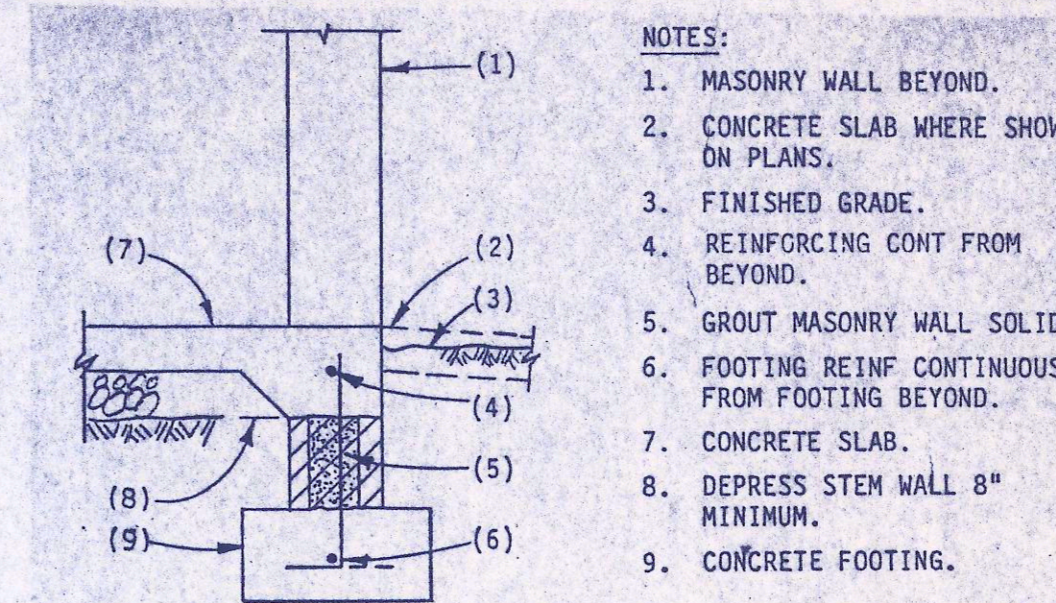


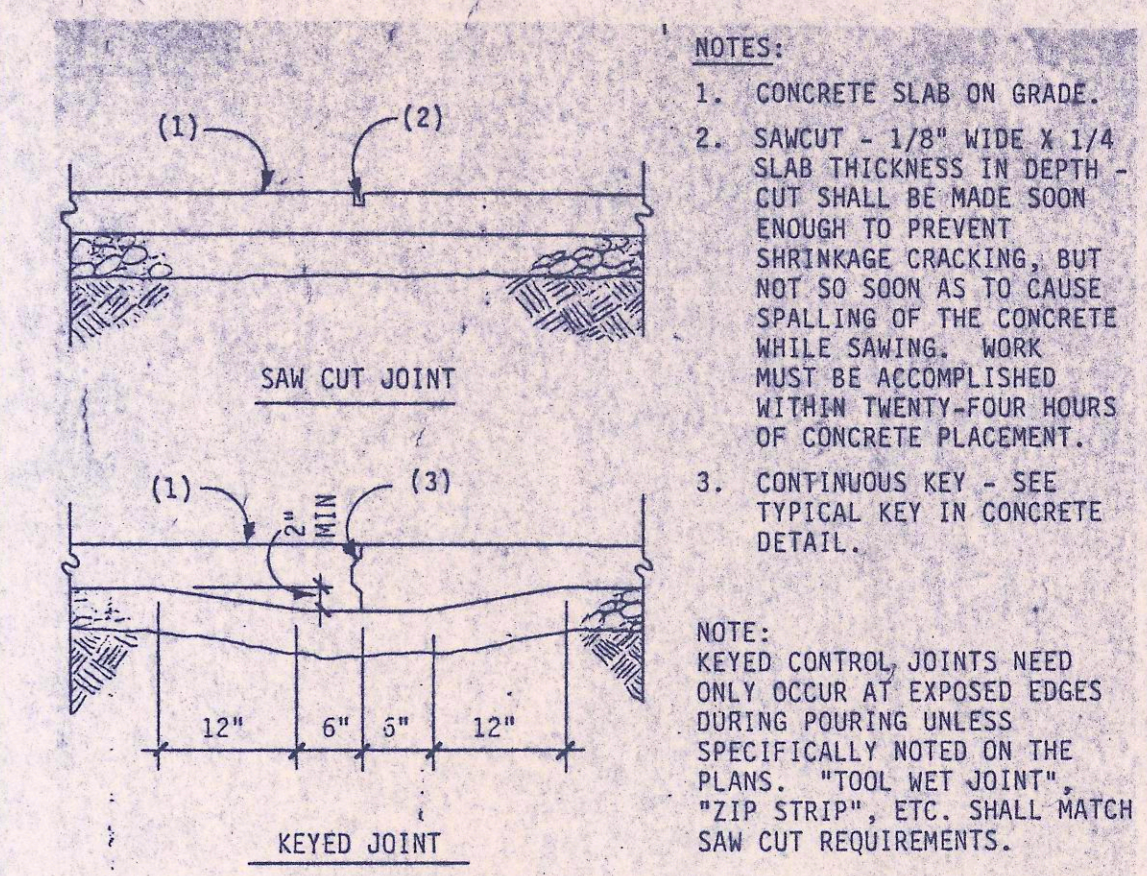
112 EXTERIOR MASONRY WALL AT WINDOW OPENING
108-91.04 NO SCALE



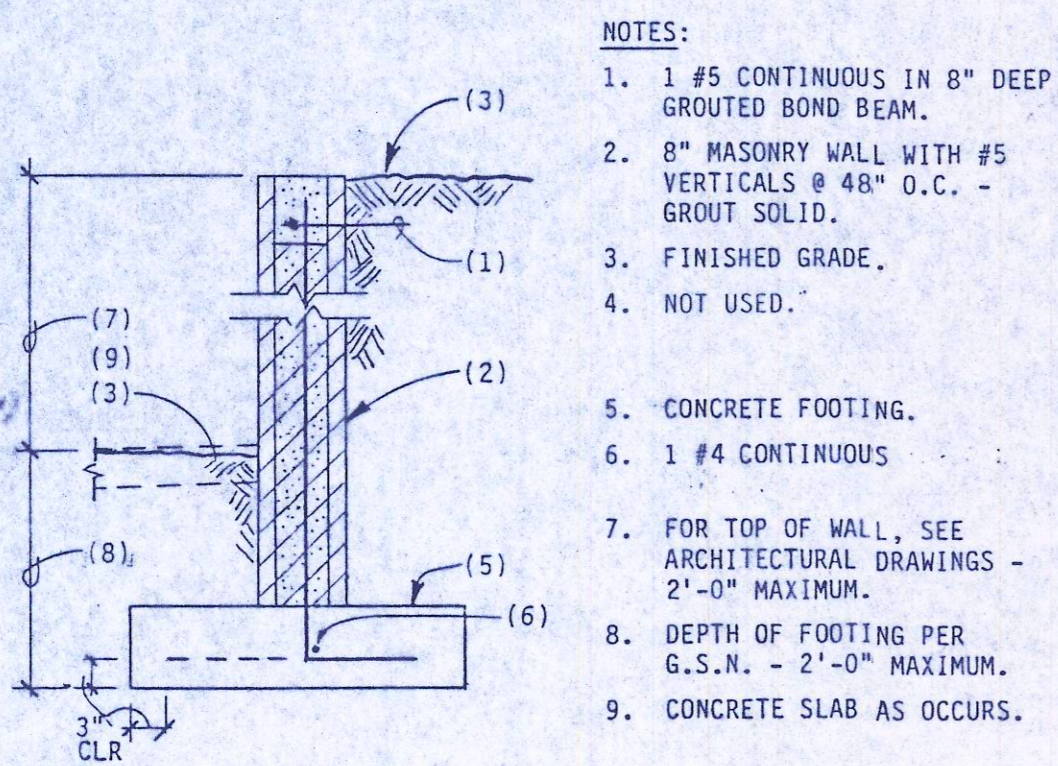
108 PLAN - SPECIAL WALL REINFORCING
501-51.52 NO SCALE



104 EXTERIOR MASONRY WALL FOOTING AT WALL OPENING
109-51 NO SCALE



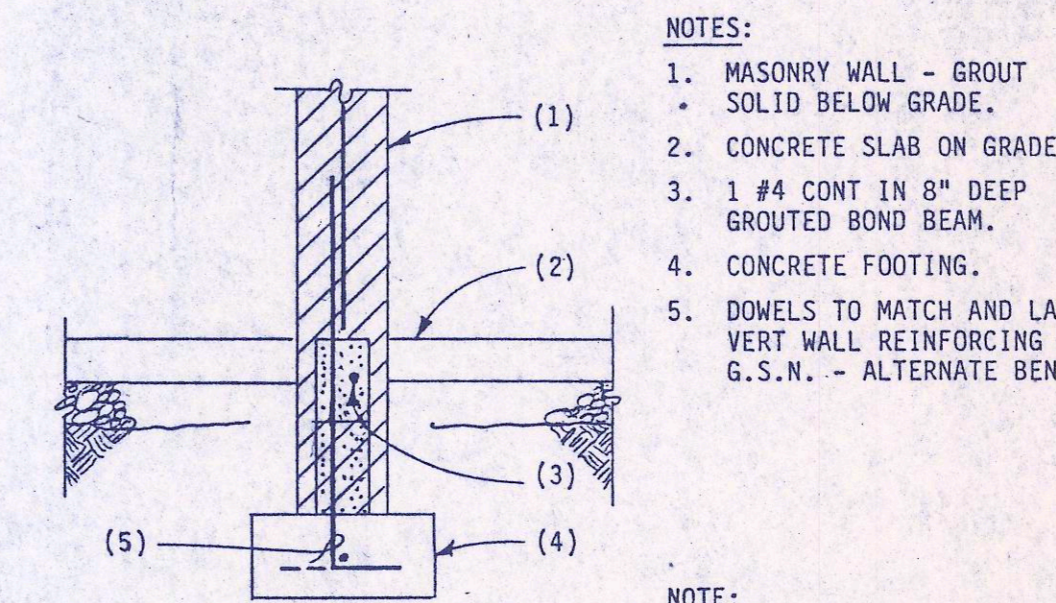
101 CONTROL JOINTS IN CONCRETE SLAB ON GRADE
T101-01 NO SCALE



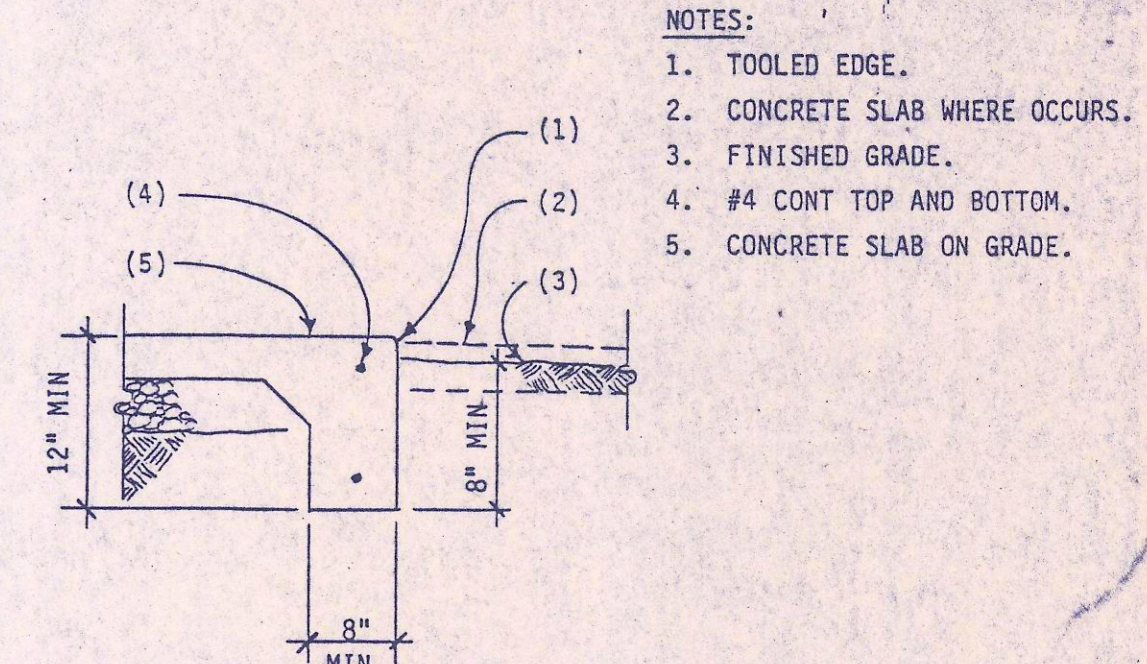
113 2'-0" MAXIMUM FREE-STANDING MASONRY RETAINING WALL AND FOOTING
NO SCALE

THIS DETAIL NOT USED

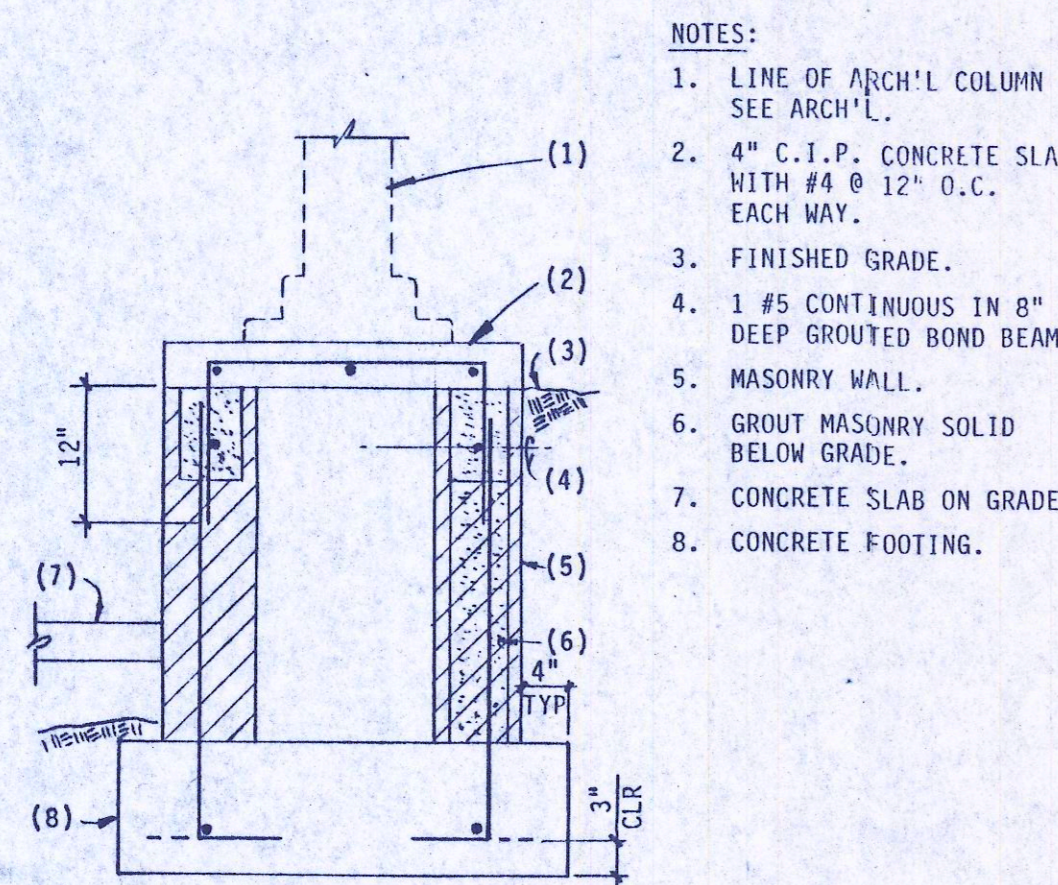
109 NO SCALE



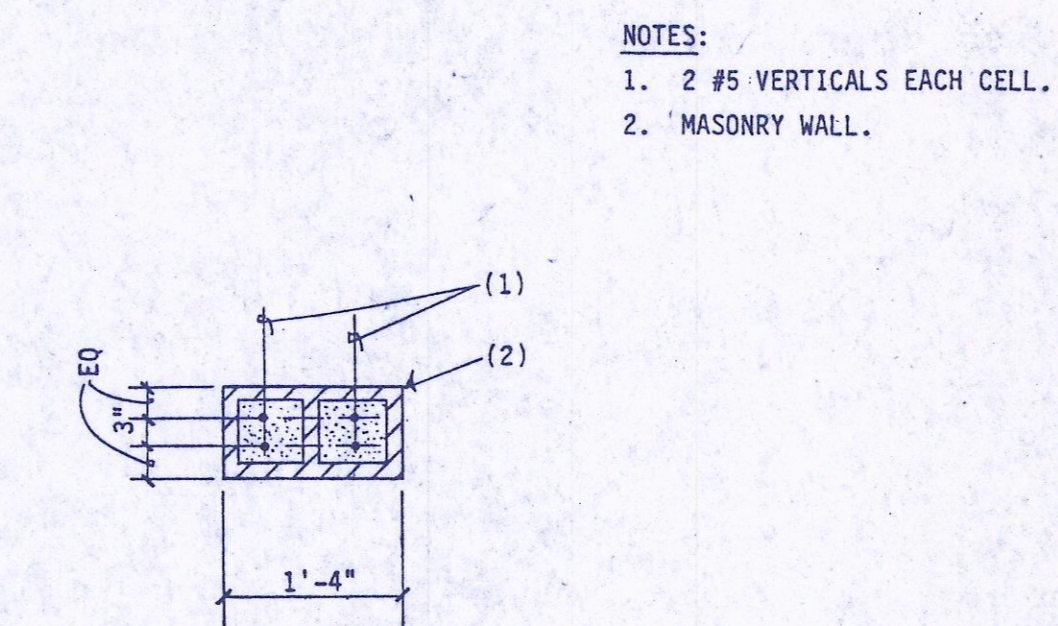
105 INTERIOR MASONRY WALL FOOTING
110-51 NO SCALE



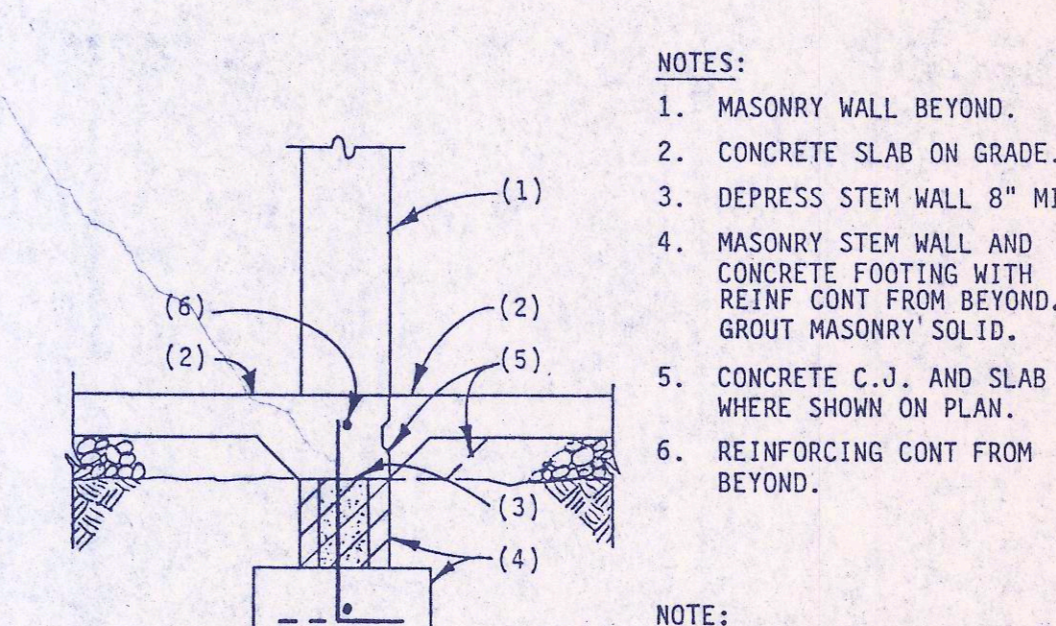
102 CONCRETE SLAB ON GRADE TURNDOWN AT BUILDING EDGE
T102-01 NO SCALE



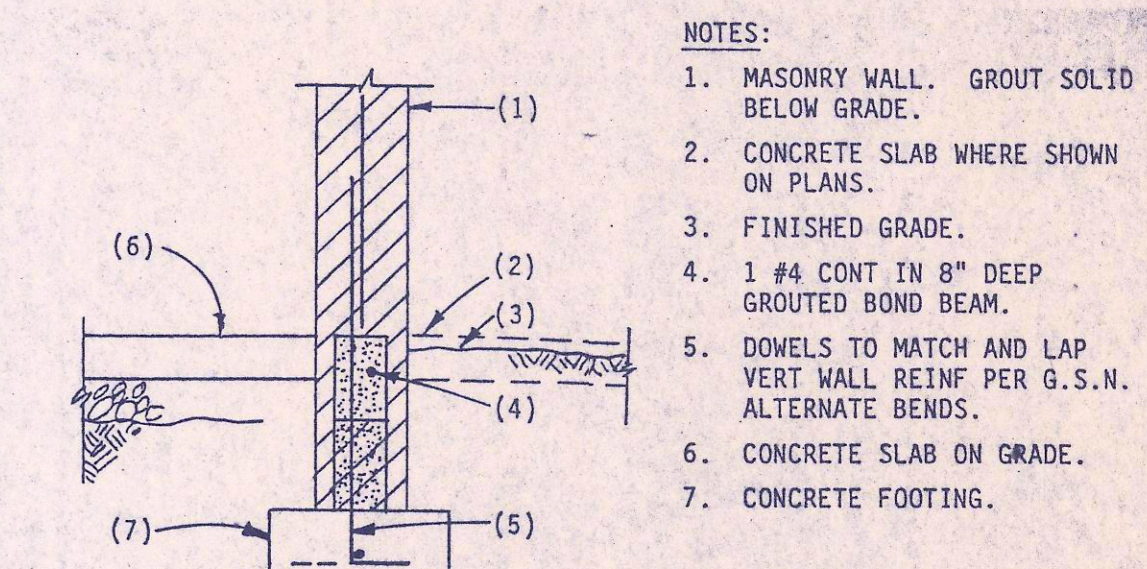
114 MASONRY PEDESTAL
NO SCALE



110 PLAN - SPECIAL WALL REINFORCING
501-51.51 NO SCALE



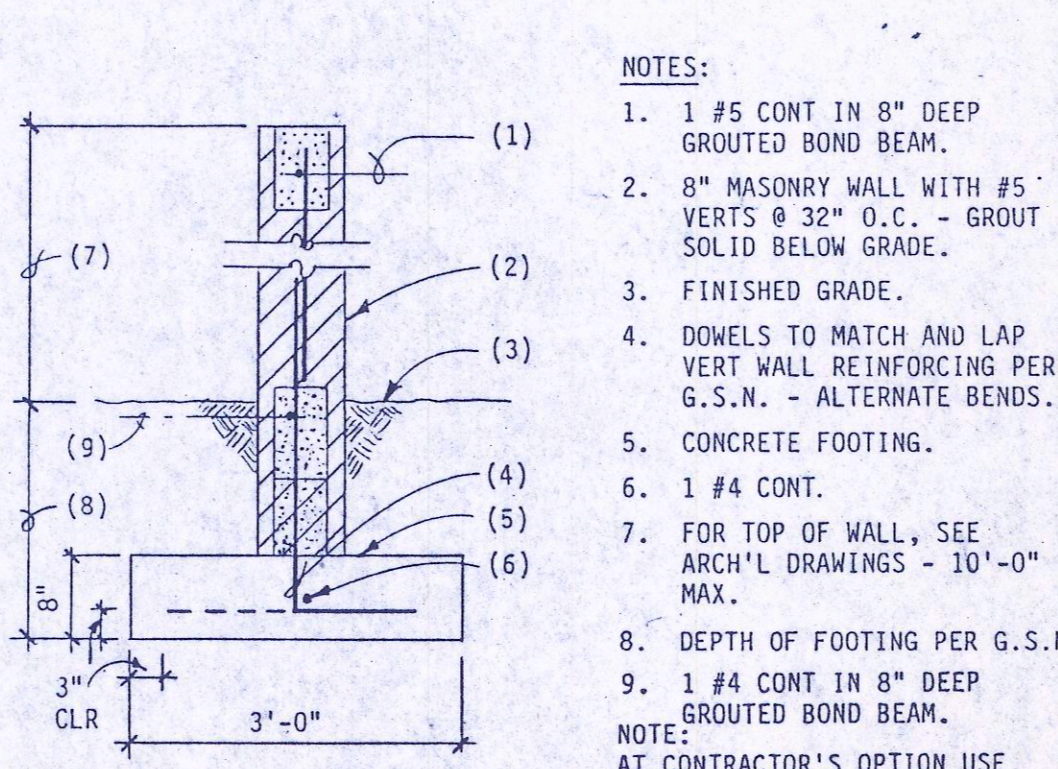
106 INTERIOR MASONRY WALL FOOTING AT OPENING
111-51.01 NO SCALE



103 EXTERIOR MASONRY WALL FOOTING
108-51 NO SCALE

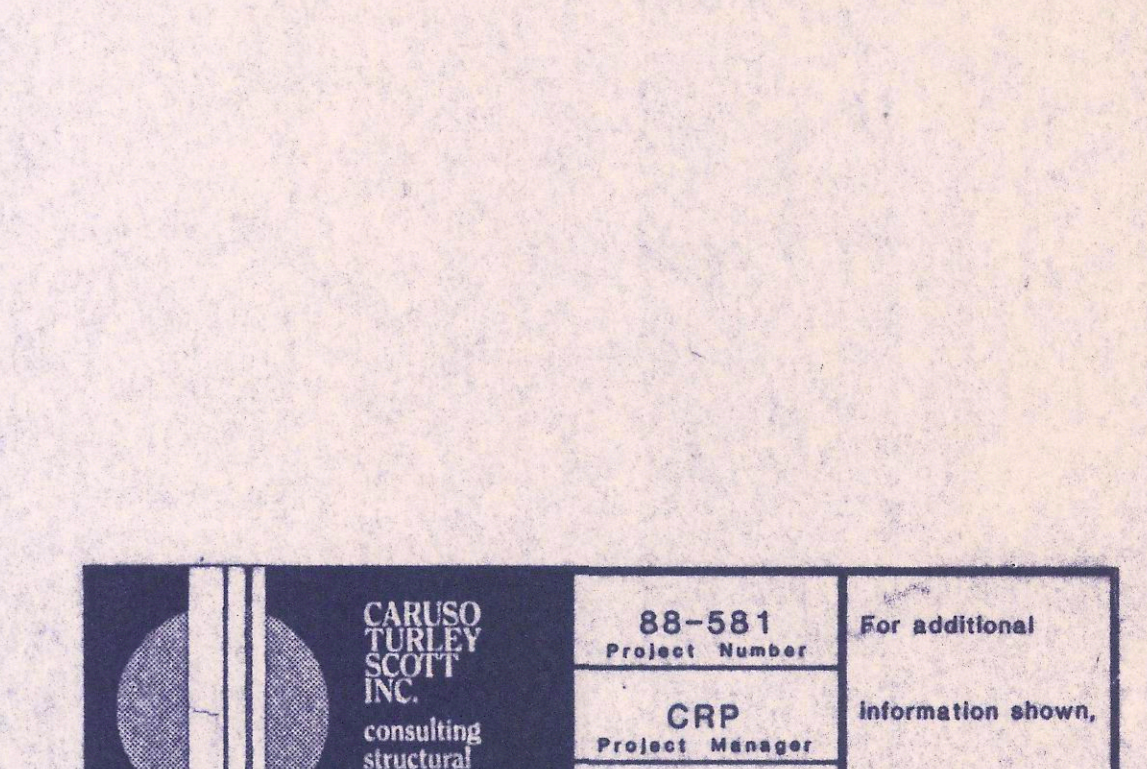


111 10'-0" MAX FREE-STANDING MASONRY WALL AND FOOTING
NO SCALE

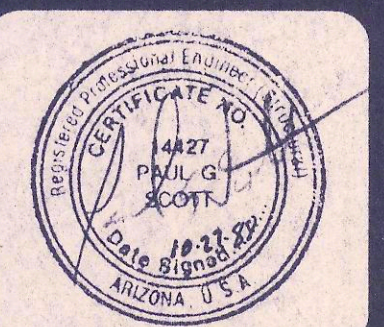


107 EXTERIOR STEEL COLUMN FOOTING AND PEDESTAL
107A AS NOTED NO SCALE

NOTE: AT CONTRACTOR'S OPTION USE CONCRETE STEM WALL WITH SAME REINFORCING.



107 EXTERIOR STEEL COLUMN FOOTING AND PEDESTAL
107A AS NOTED NO SCALE



JOB NUMBER 10434.00
DATE 11-11-88
DRAWN WLC
CHECKED CRP
SHEET TITLE FOUNDATION DETAILS 101-119
SCALE AS NOTED
REVISIONS

	88-581 Project Number	For additional information shown,
	CRP Project Manager	but not noted,
	CRP Project Engineer	see sheet 51.1
	WLC Project Drafter	