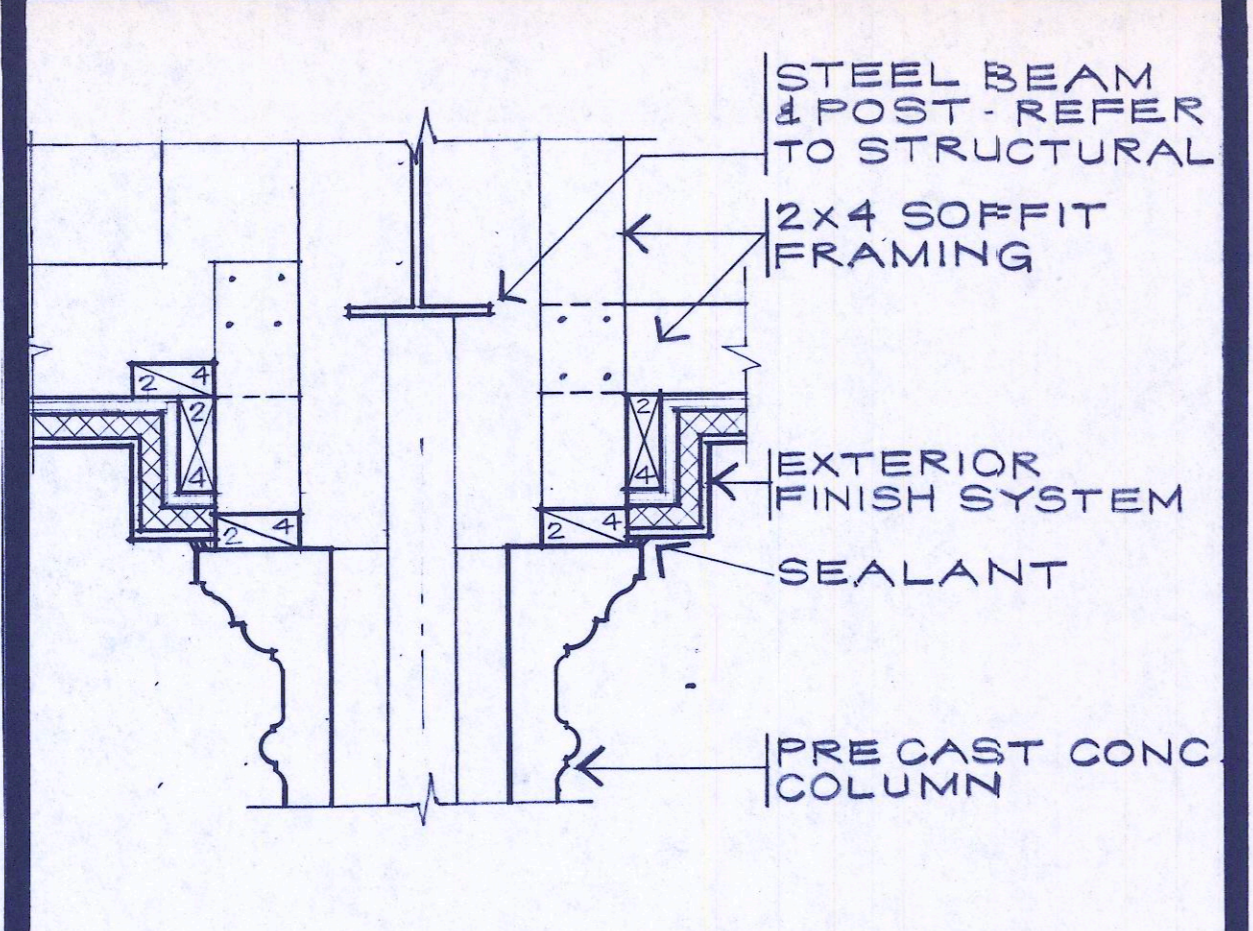
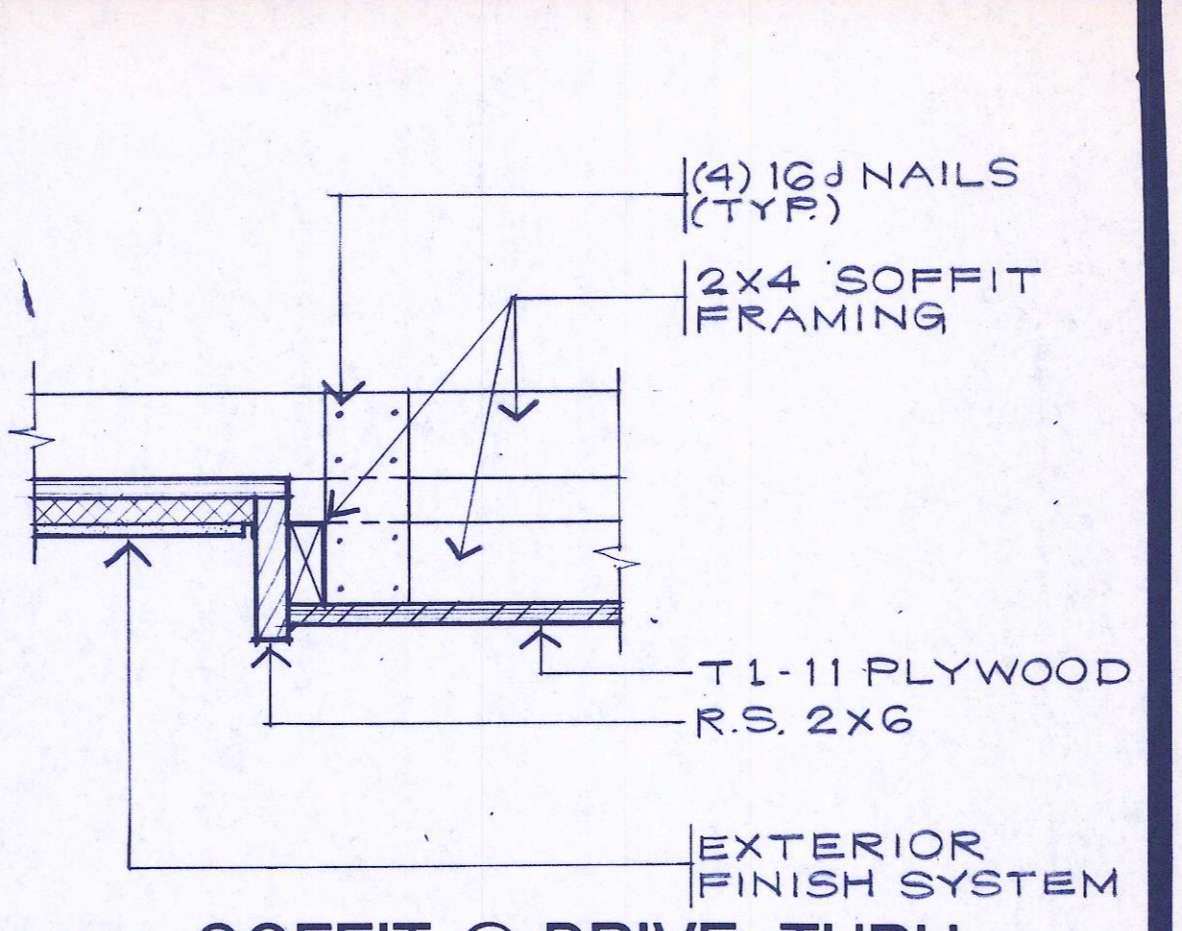


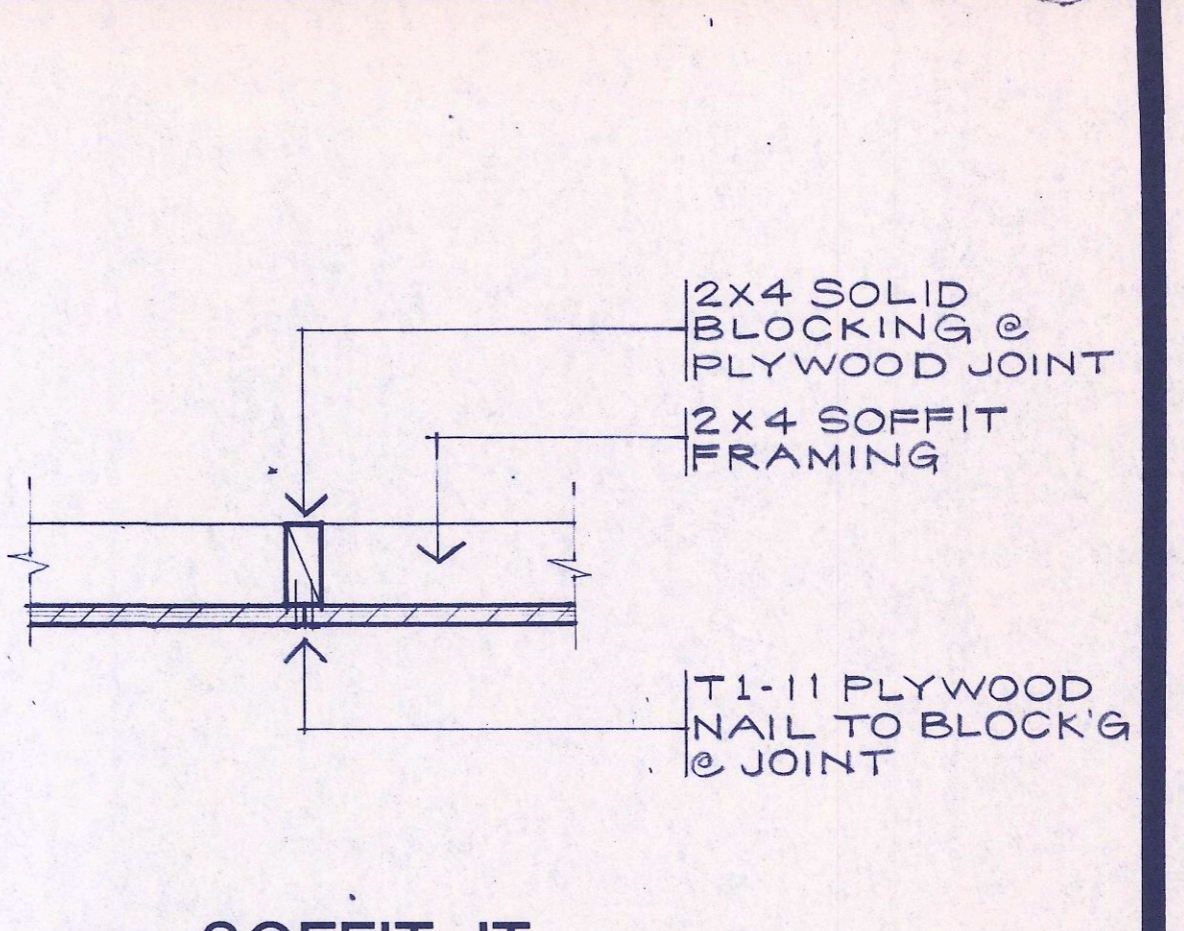
1 VALLEY FLASHING TYP. SCALE 1/2" = 1'-0"



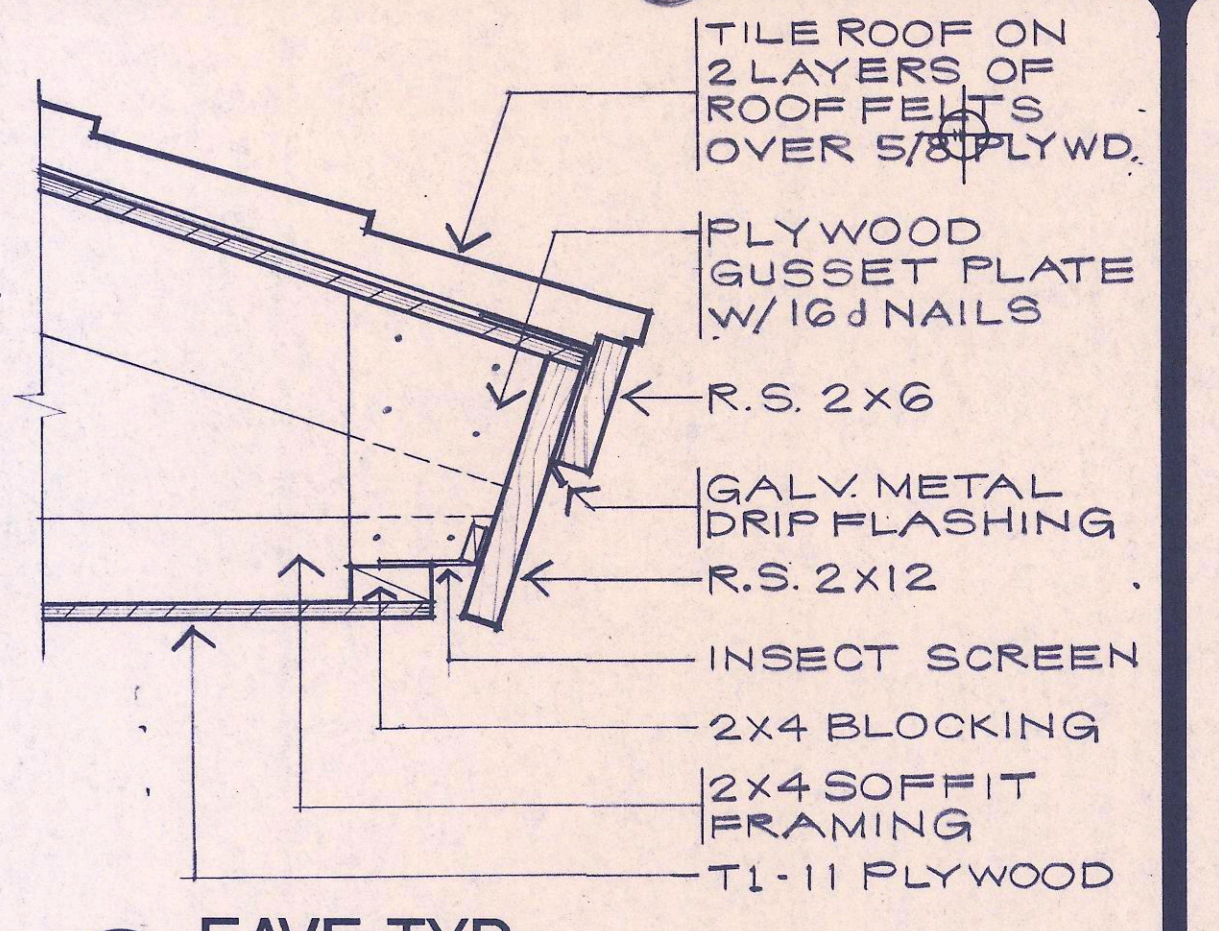
2 COL. CAP @ DRIVE-THRU SCALE 1/2" = 1'-0"



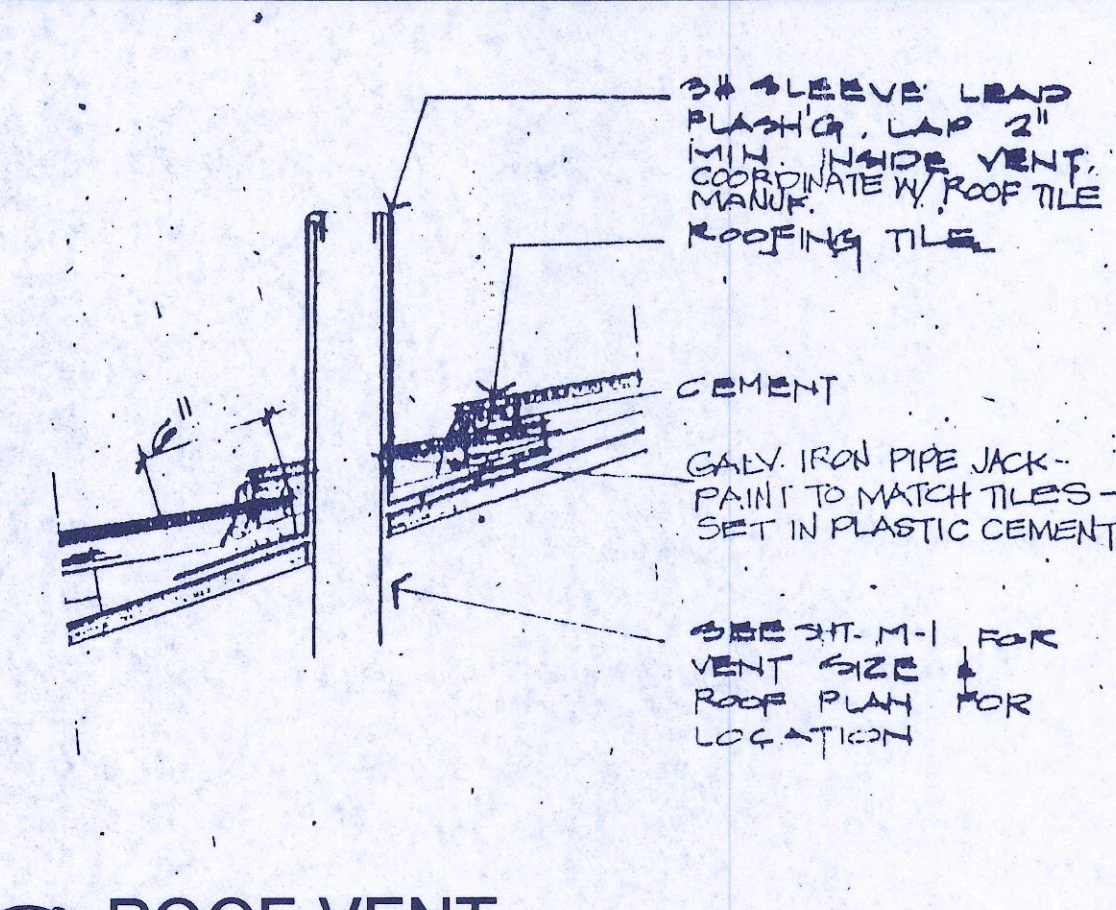
3 SOFFIT @ DRIVE-THRU SCALE 1/2" = 1'-0"



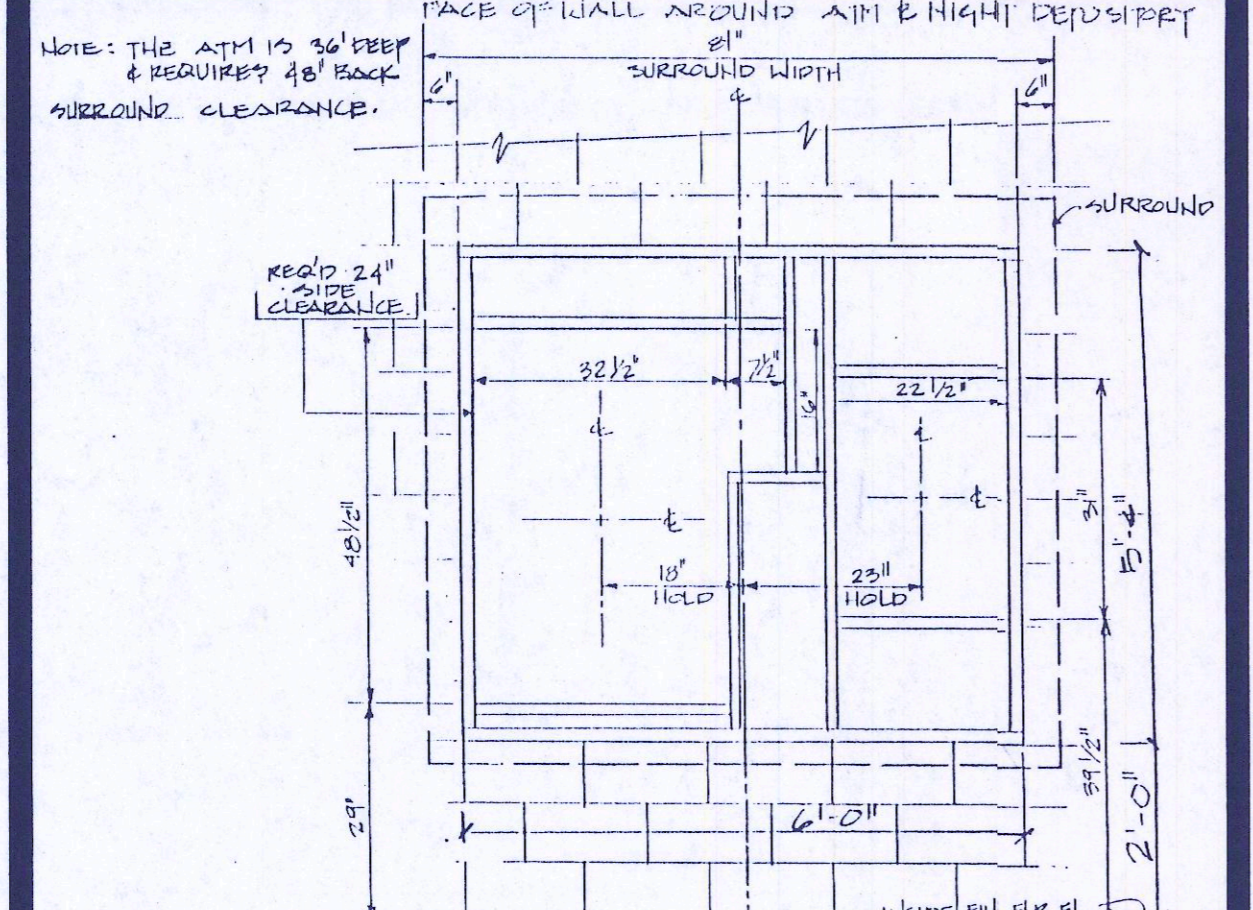
4 SOFFIT JT. SCALE 1/2" = 1'-0"



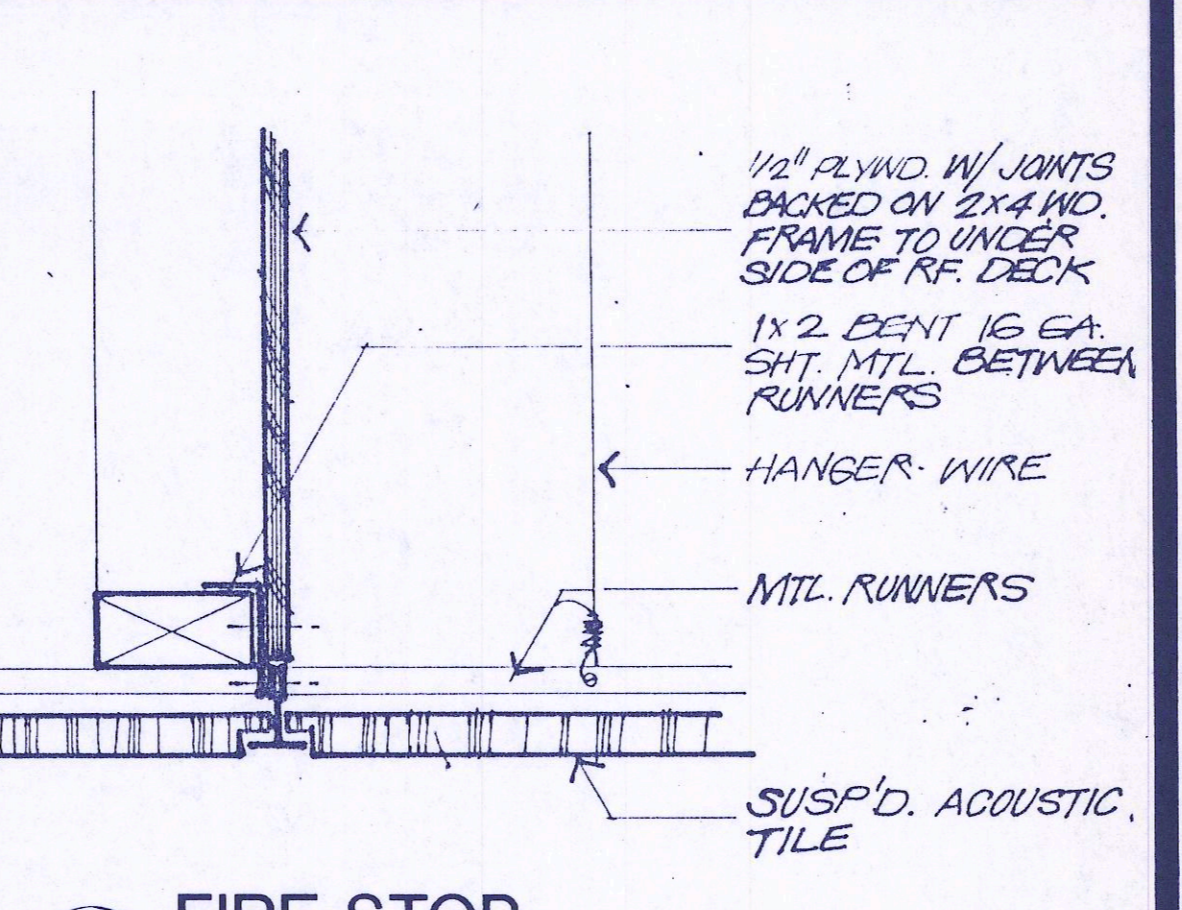
5 EAVE TYP. SCALE 1/2" = 1'-0"



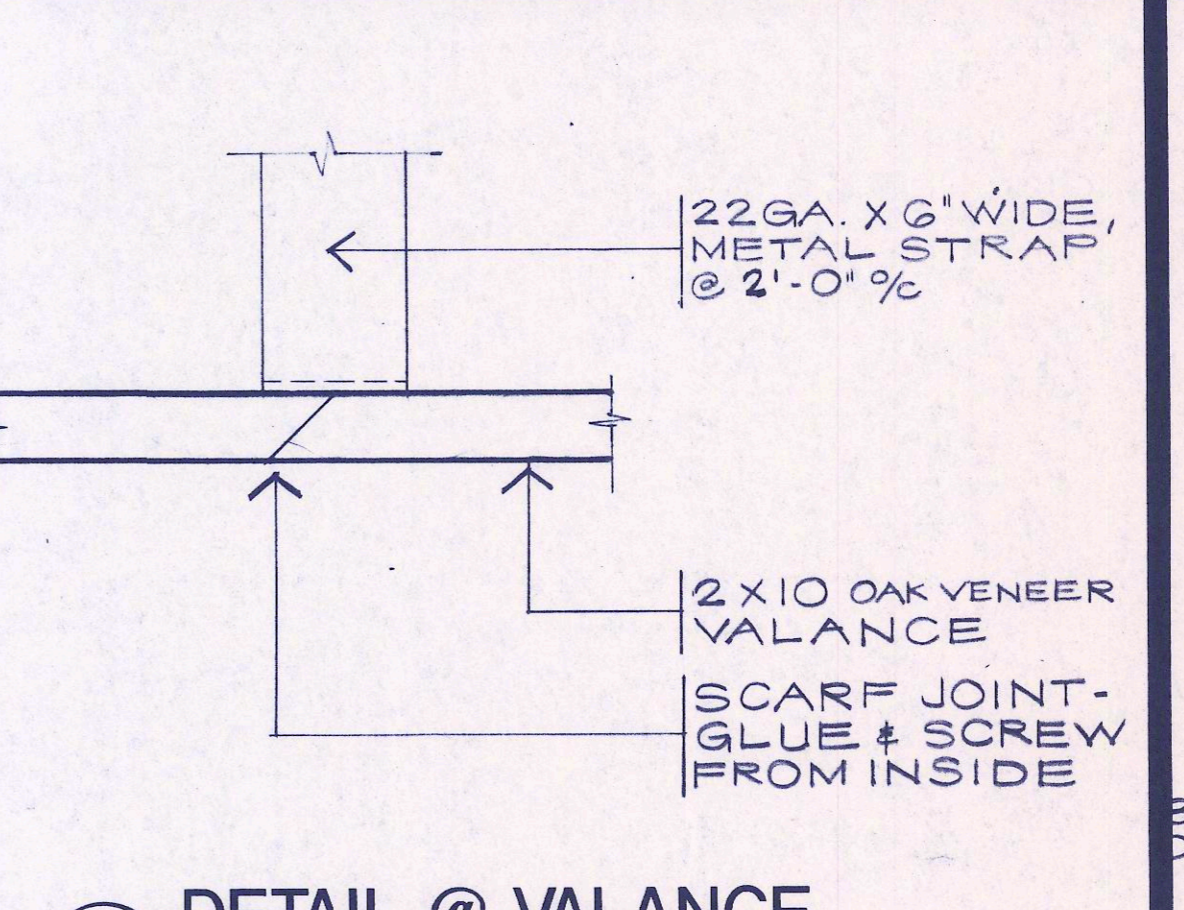
6 ROOF VENT SCALE 1/2" = 1'-0"



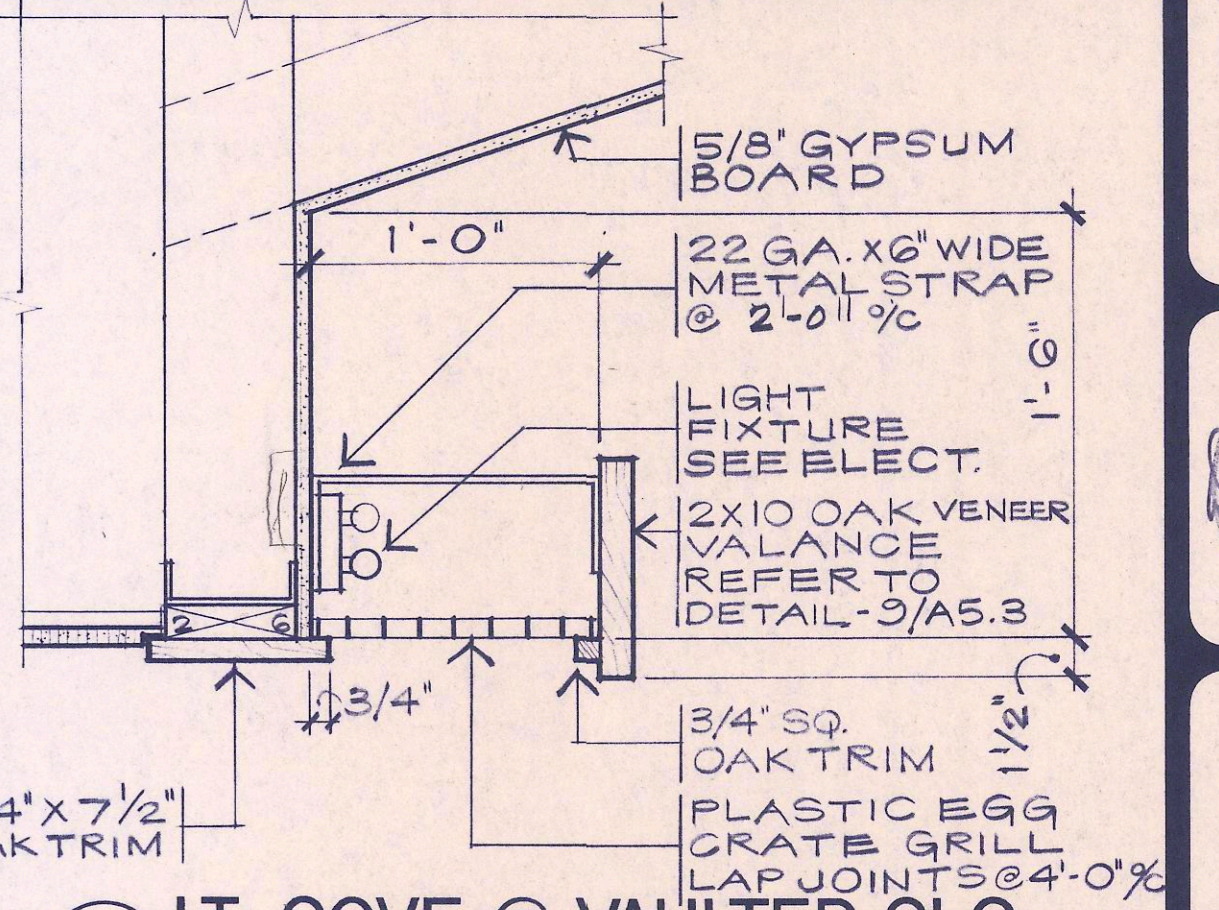
7 A.T.M. FRAMING SCALE 1/2" = 1'-0"



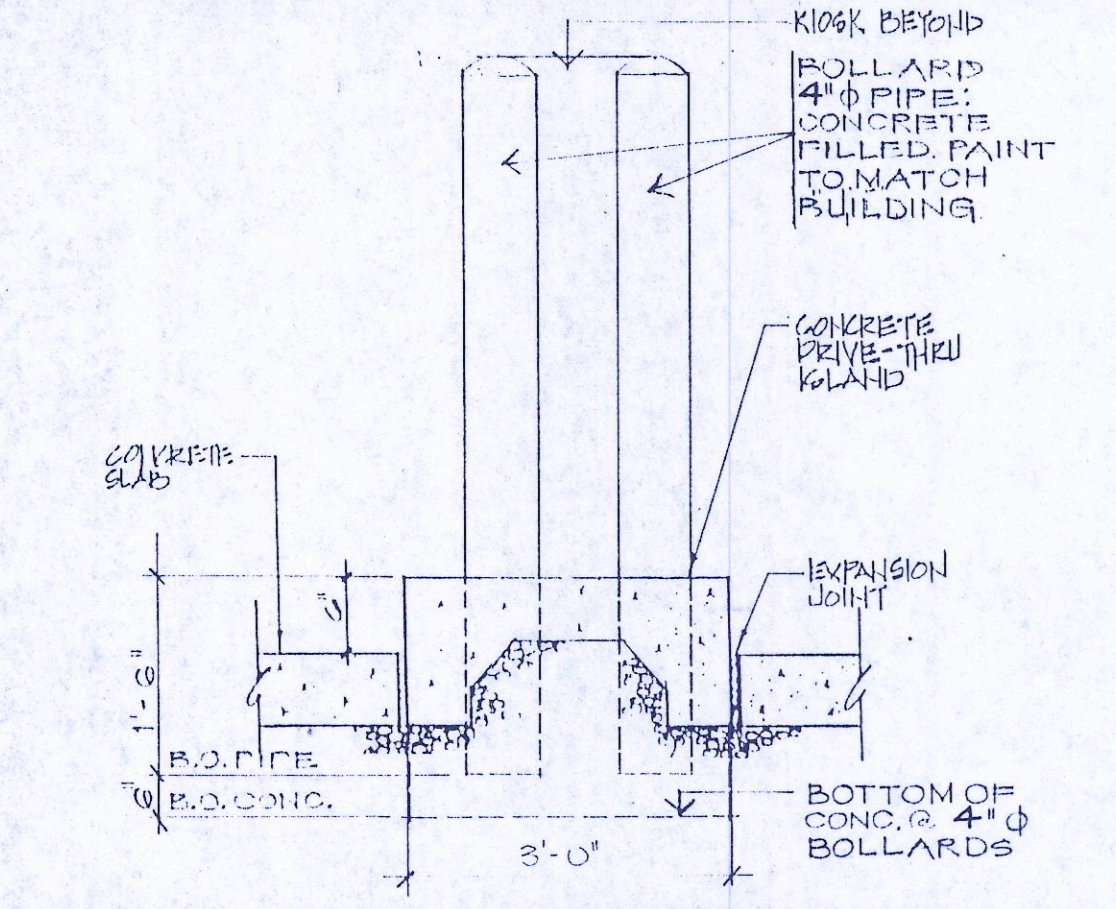
8 FIRE STOP SCALE 3" = 1'-0"



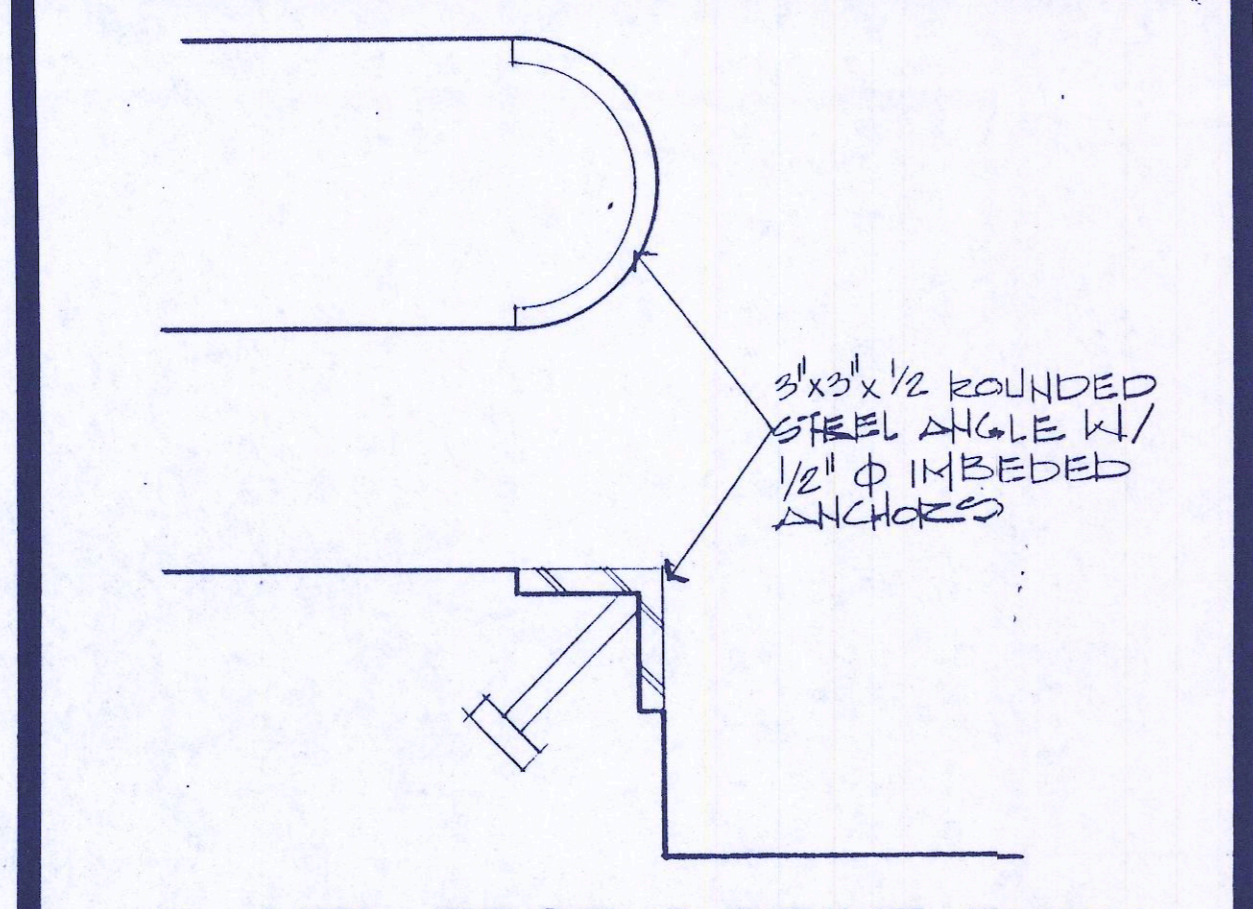
9 DETAIL @ VALANCE SCALE 3" = 1'-0"



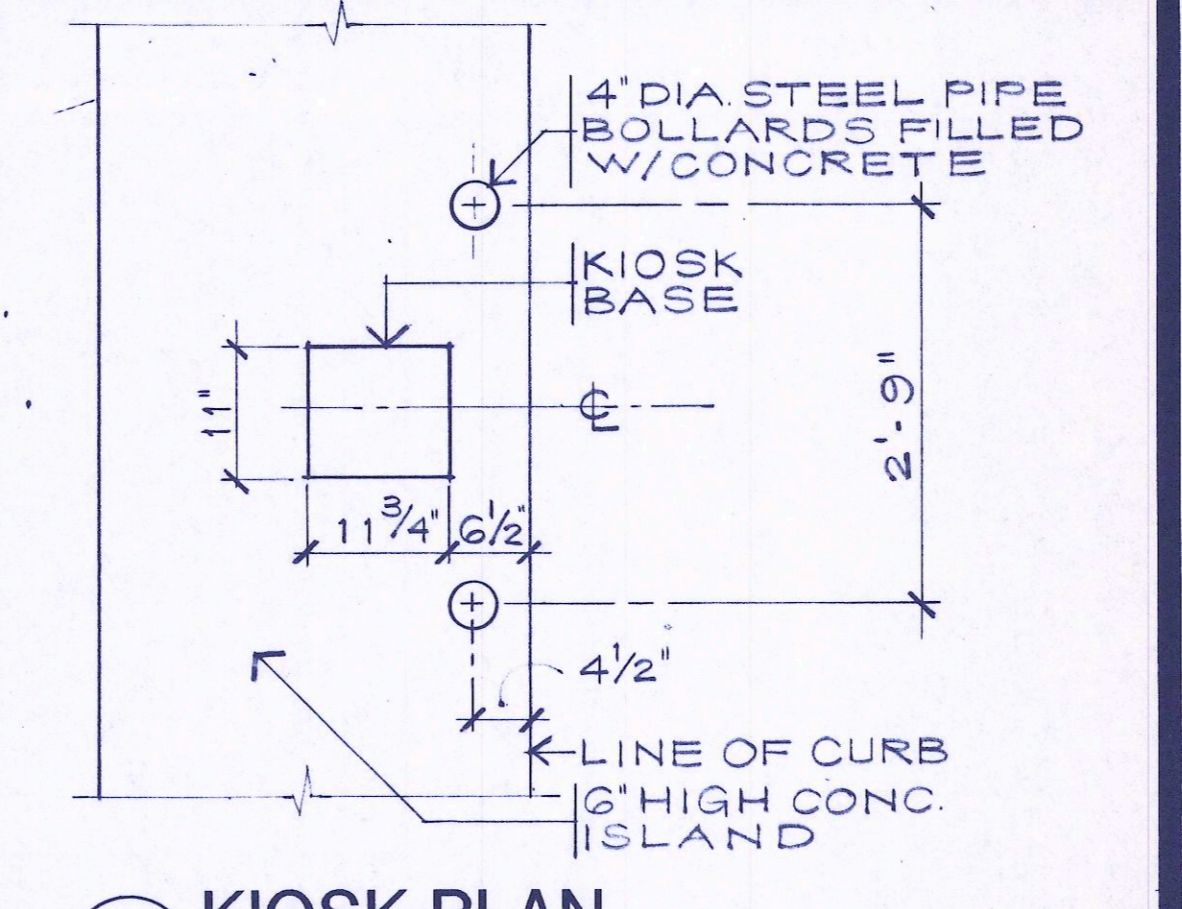
10 LT. COVE @ VAULTED CLG. SCALE 1/2" = 1'-0"



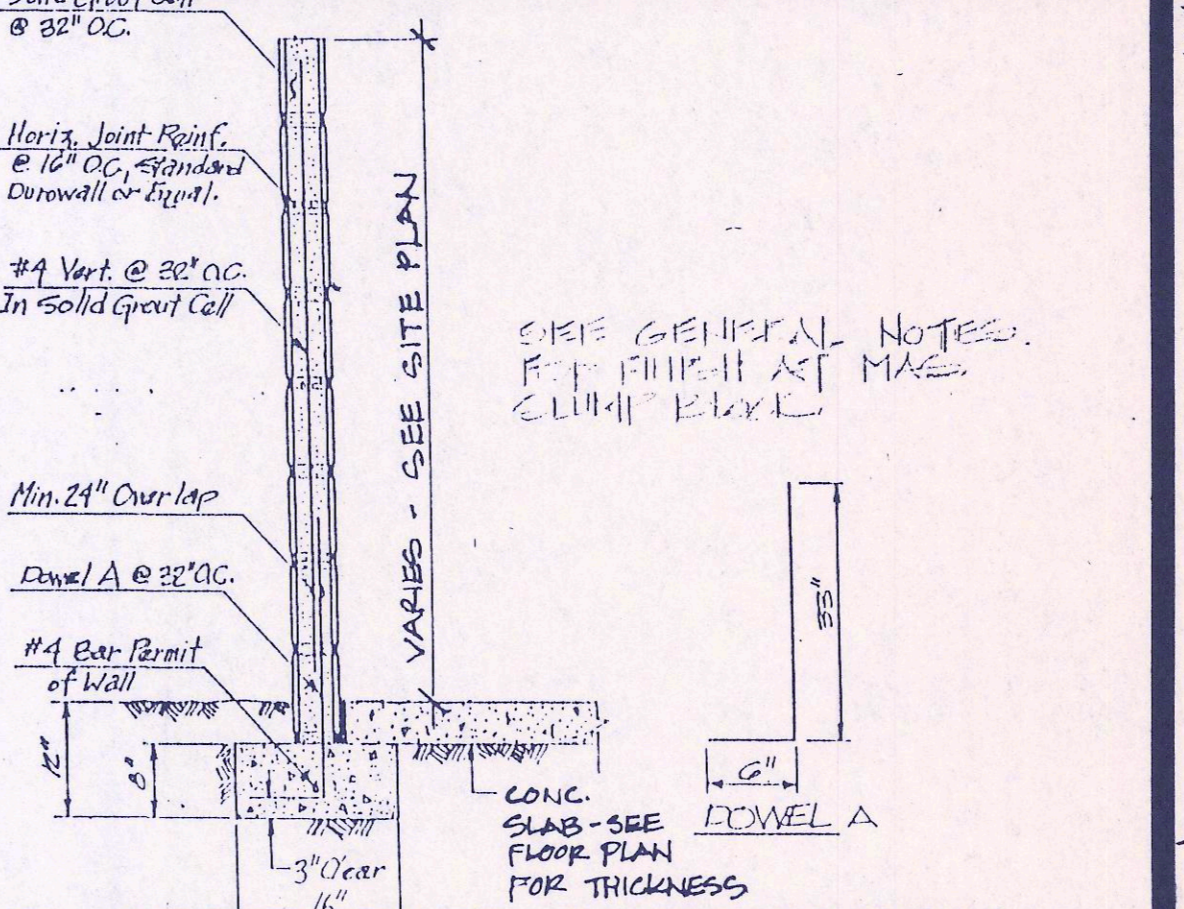
11 SEC. @ DRIVE-THRU CURB SCALE 1/2" = 1'-0"



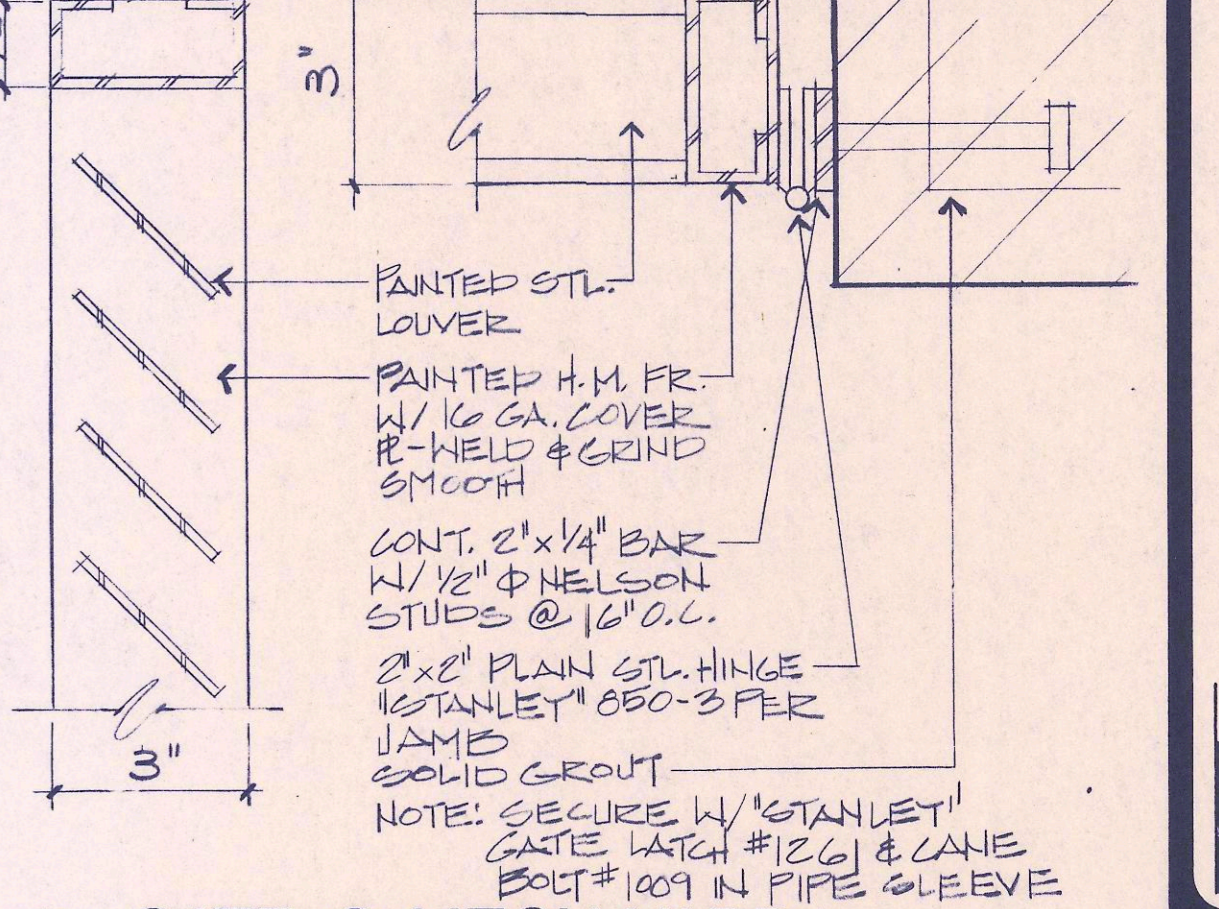
12 MTL. EDGE @ DRIVE-THRU N.T.S.



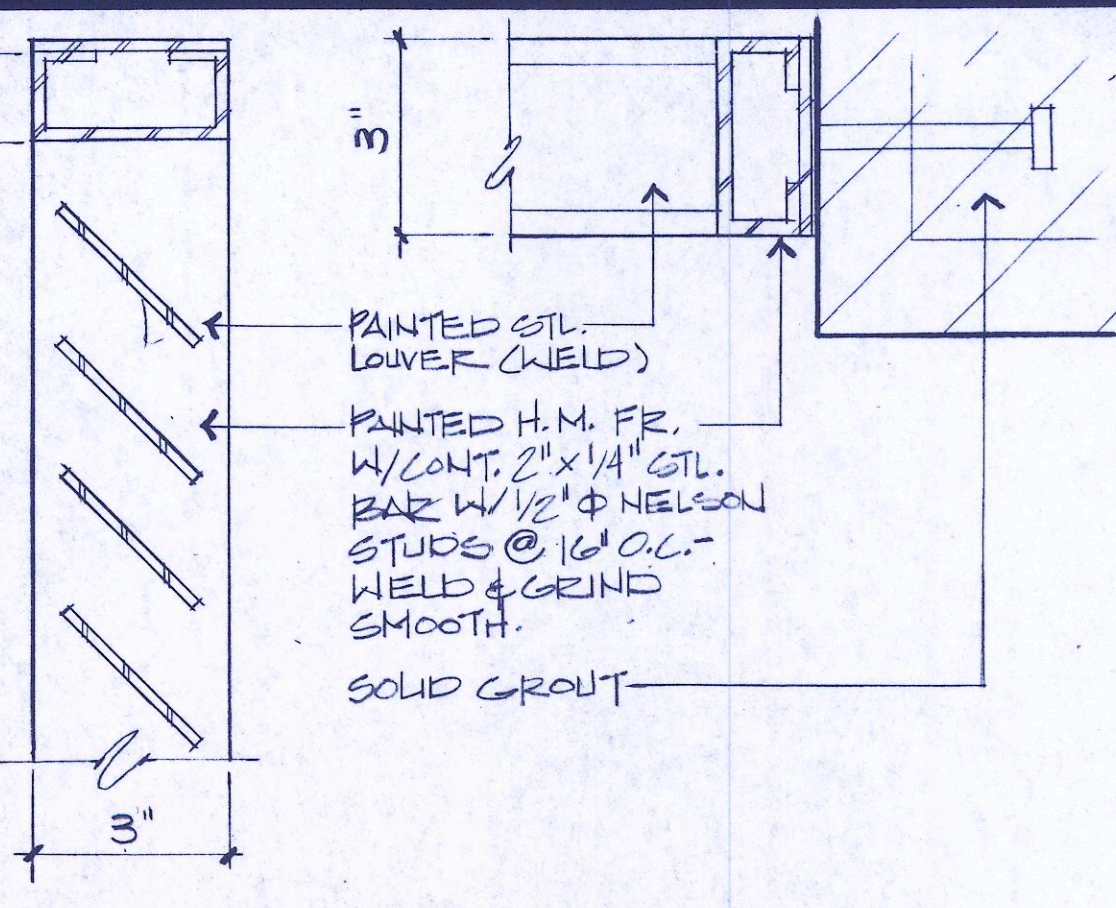
13 KIOSK PLAN SCALE 3/4" = 1'-0"



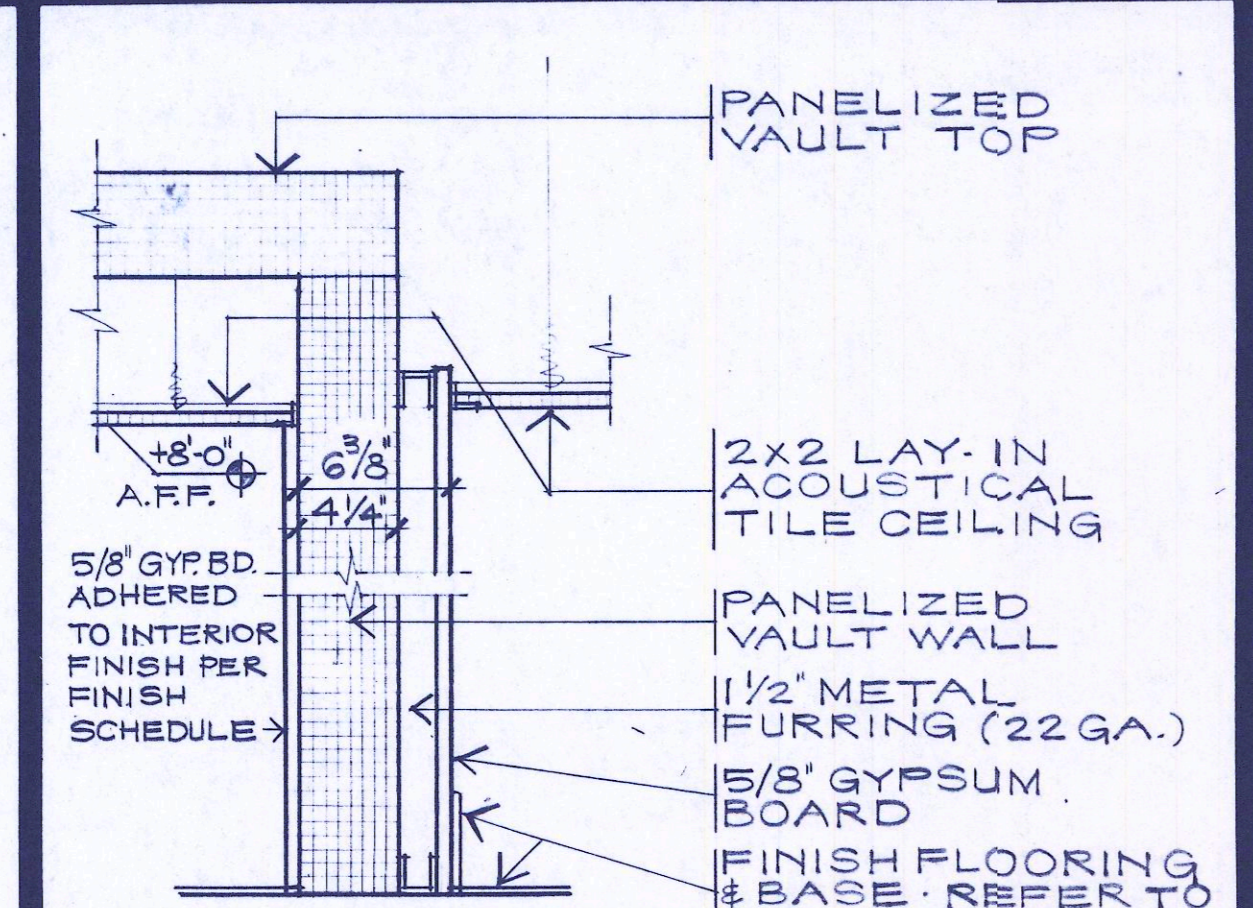
14 SEC. @ MAS. SCREEN WALL SCALE



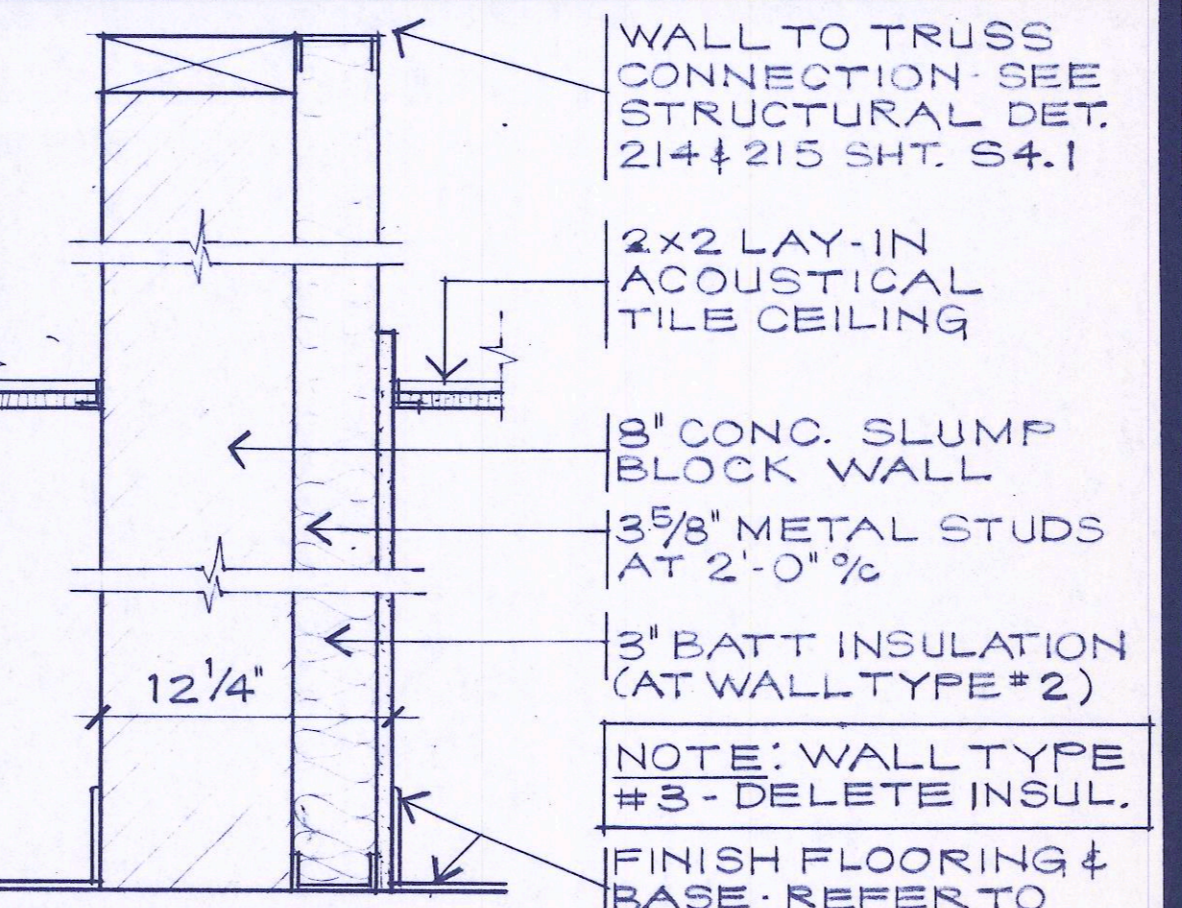
15 GATE @ MECH. YARD SCALE 3" = 1'-0"



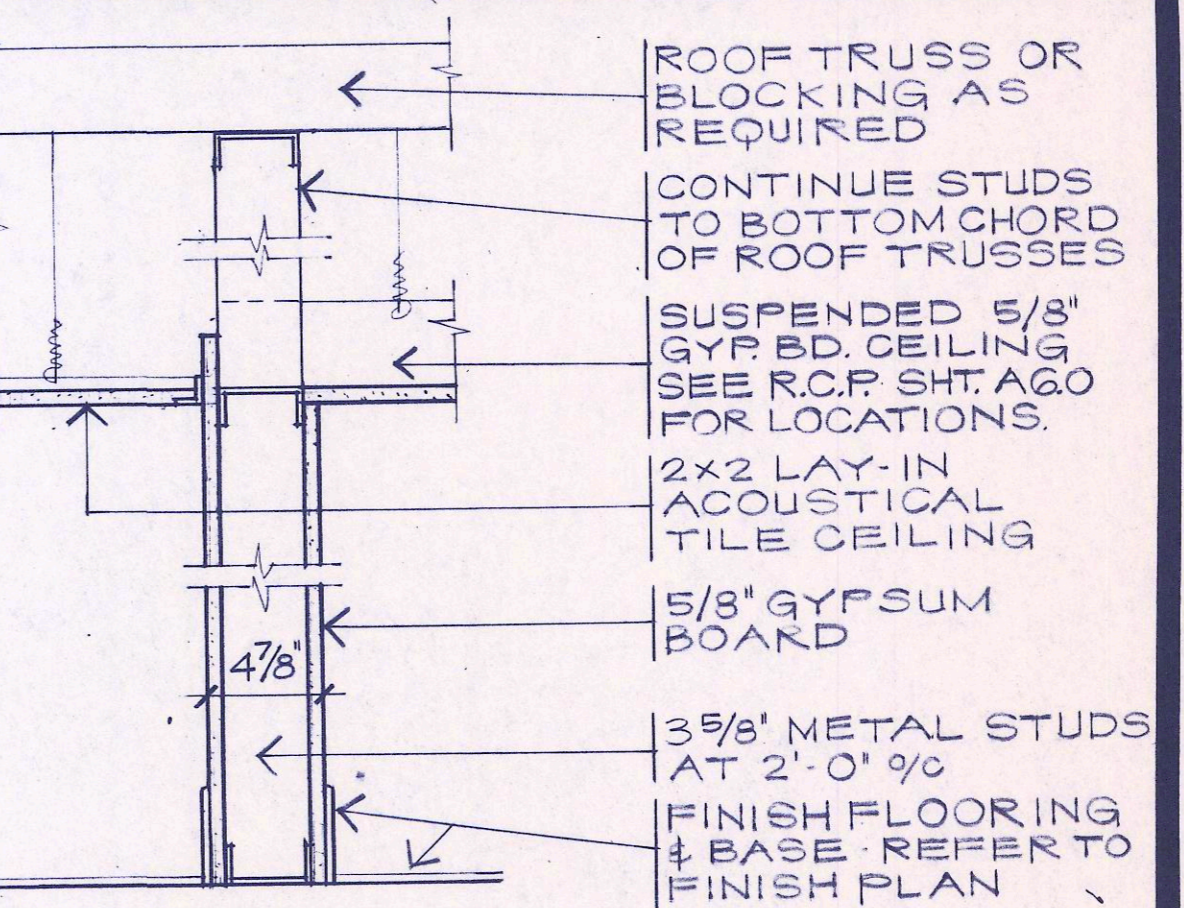
16 LOUVER @ MECH. YARD SCALE 3" = 1'-0"



WALL TYPE 1 SCALE 1/2" = 1'-0"



WALL TYPE 2 & 3 SCALE 1/2" = 1'-0"



WALL TYPE 4 SCALE 1/2" = 1'-0"

