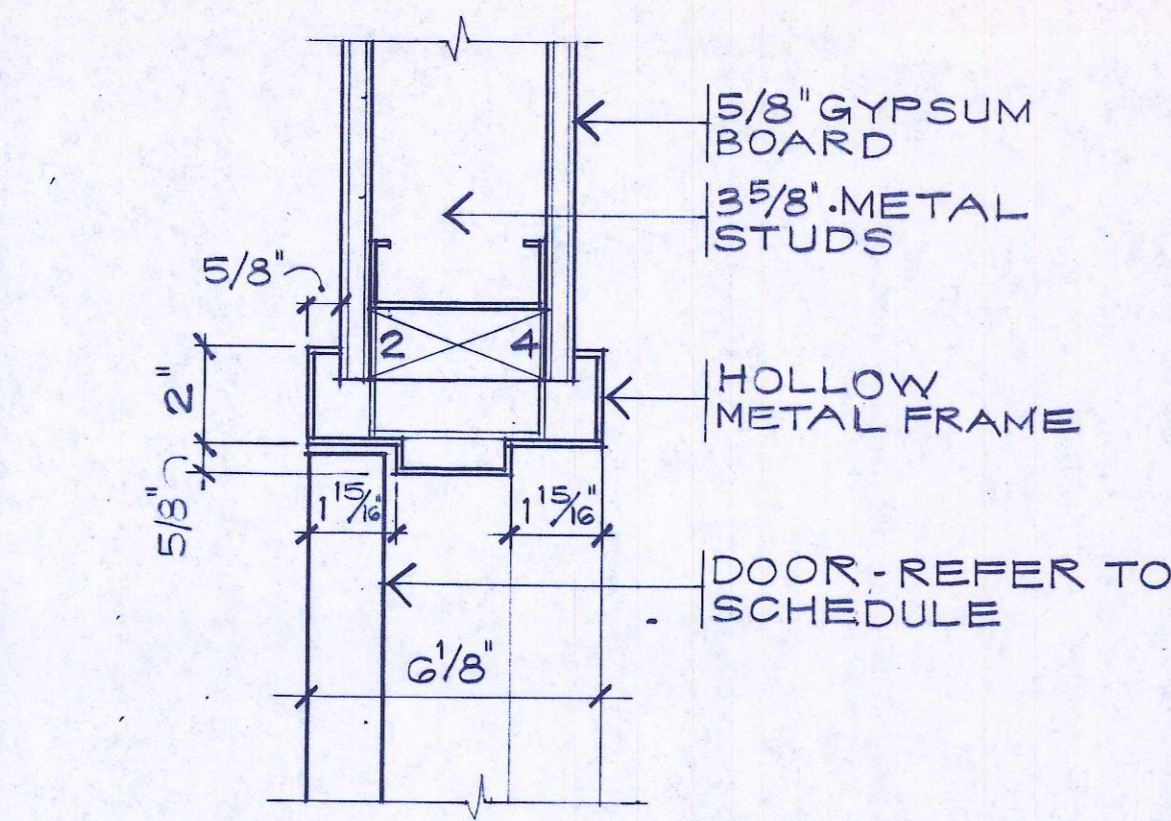
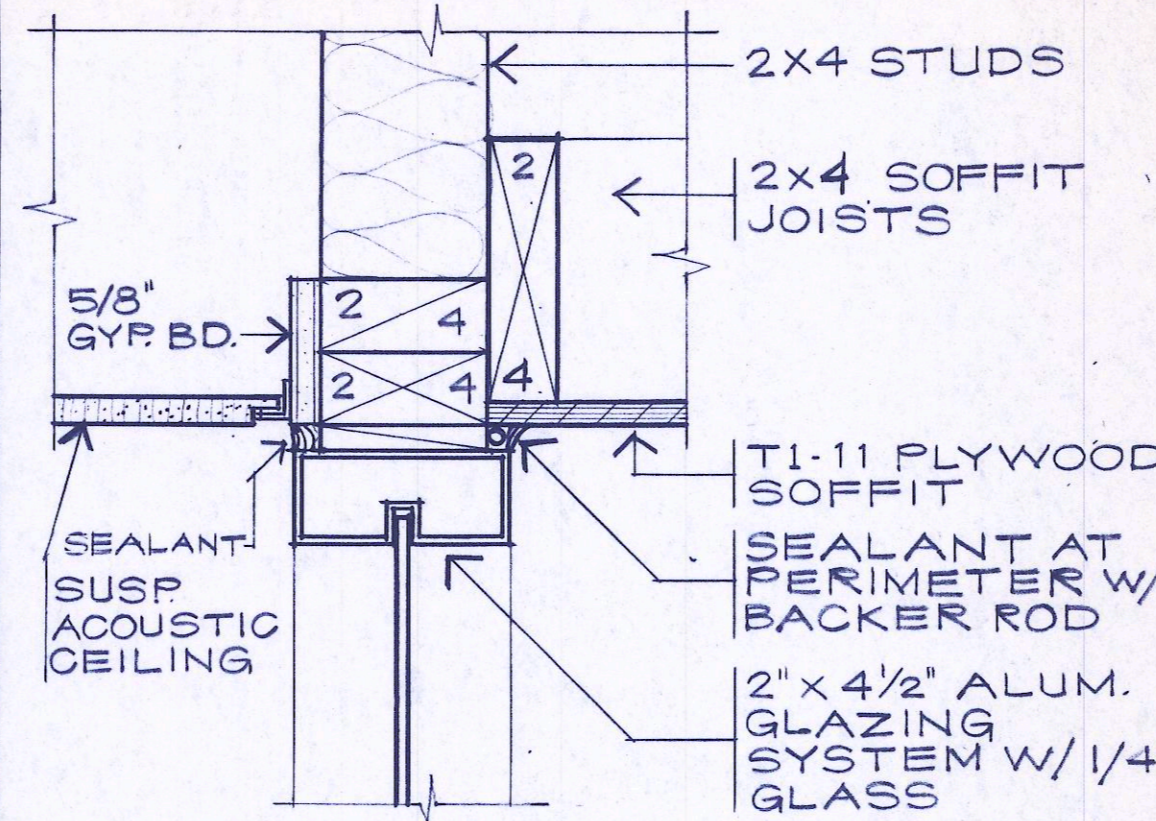


**1 DOOR HEAD / JAMB SIMILAR**  
EXTERIOR SCALE 3" = 1'-0"

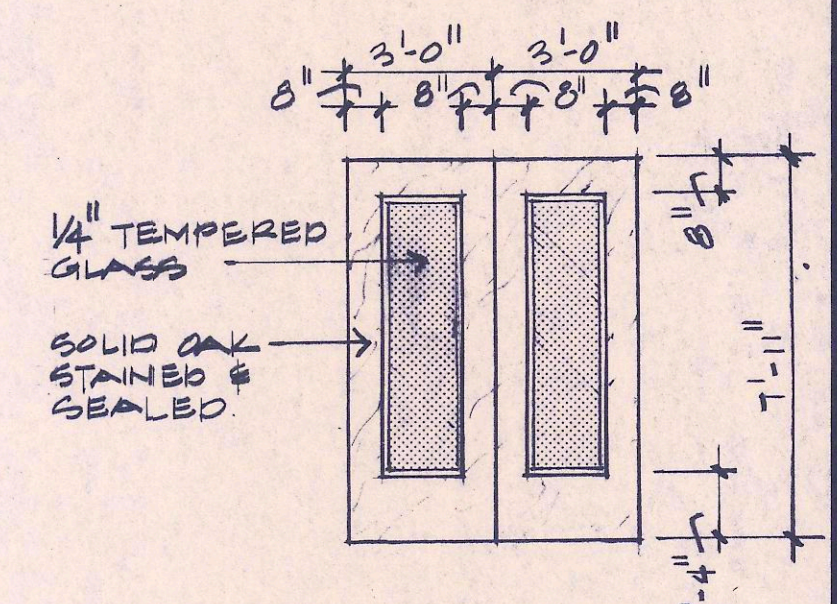


**5 DOOR HEAD / JAMB SIMILAR**  
TYPICAL INTERIOR SCALE 3" = 1'-0"



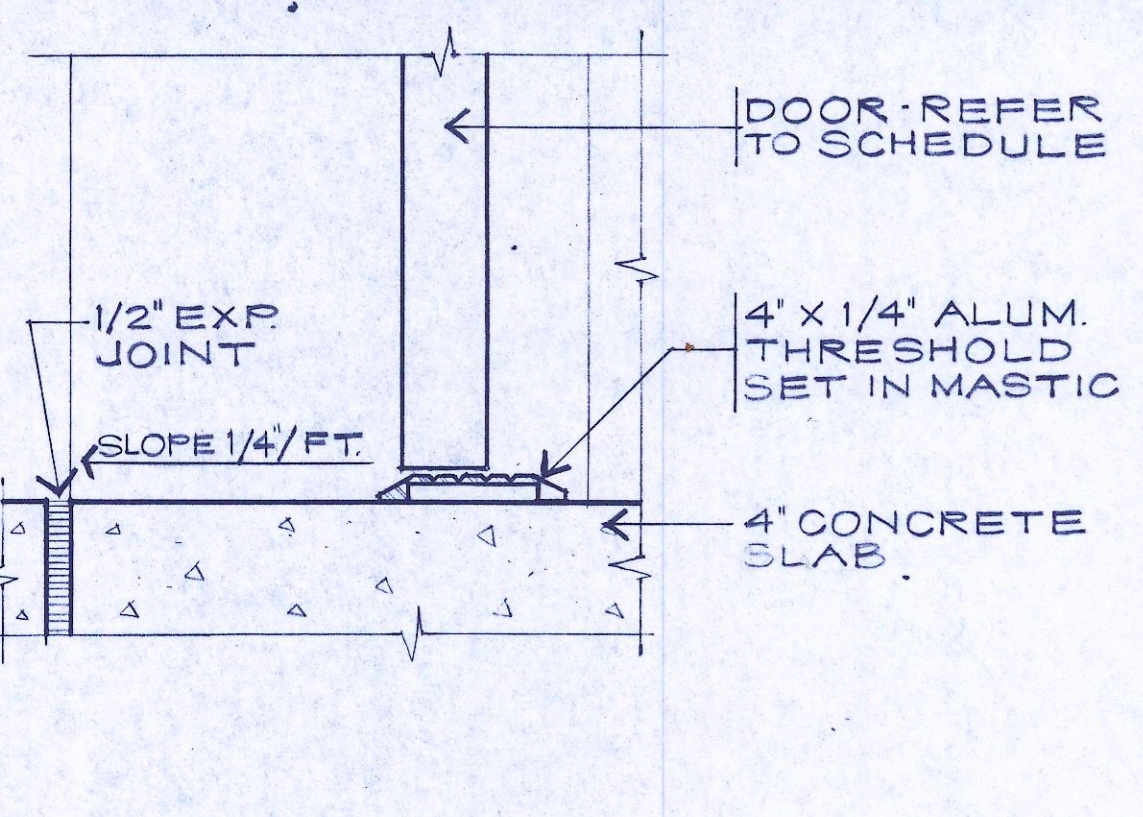
**9 WINDOW HEAD**  
SCALE 3" = 1'-0"

NUMBER	WIDTH	HEIGHT	TYPE	MATERIAL	FINISH	FRAME	DETAILS	THRESHOLD	UL LABEL	SET	REMARKS
100	3'-0"	7'-11"		GLASS/AD	STAIN	ALUM	PRE-FIN	3/AS.2	3/AS.2	4/AS.2	
102	3'-0"	6'-8"		H. METAL	PAINT	H. METAL	PAINT	5/AS.2	5/AS.2		
102A	2'-6"	6'-8"		H. METAL	PAINT	H. METAL	PAINT	5/AS.2	5/AS.2		
103	3'-0"	6'-8"		H. METAL	PAINT	H. METAL	PAINT	5/AS.2	5/AS.2		
104	3'-0"	6'-8"		H. METAL	PAINT	H. METAL	PAINT	5/AS.2	5/AS.2		
105	3'-0"	6'-8"		H. METAL	PAINT	H. METAL	PAINT	5/AS.2	5/AS.2		
106	3'-0"	8'-0"		WOOD	SC STAIN	H. METAL	PAINT	5/AS.2	5/AS.2		
106A	3'-0"	8'-0"		WOOD	SC STAIN	H. METAL	PAINT	5/AS.2	5/AS.2		
108											BY OWNER
109	3'-0"	8'-0"		WOOD	SC STAIN	H. METAL	STAIN	5/AS.2	5/AS.2		
111	3'-0"	6'-8"		H. METAL	PAINT	H. METAL	PAINT	5/AS.2	1/AS.2	2/AS.2	PARTIC HARDWARE
113	3'-0"	8'-0"		WOOD	SC STAIN	H. METAL	STAIN	5/AS.2	5/AS.2		
116	3'-0"	8'-0"		WOOD	SC STAIN	H. METAL	STAIN	5/AS.2	5/AS.2		
116A	2'-0"	8'-0"		WOOD	SC STAIN	H. METAL	STAIN	5/AS.2	5/AS.2		
117	3'-0"	8'-0"		WOOD	SC STAIN	H. METAL	STAIN	5/AS.2	5/AS.2		

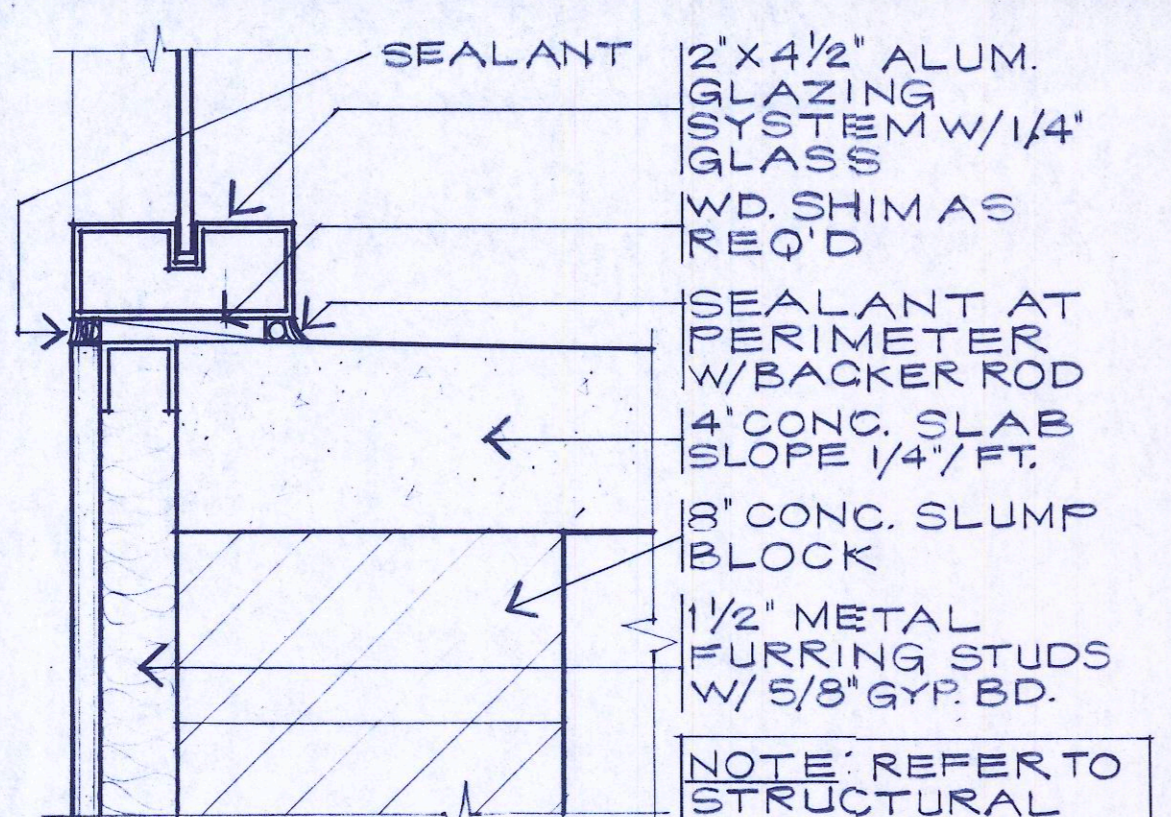


FRONT ENTRY DOOR NO. 100

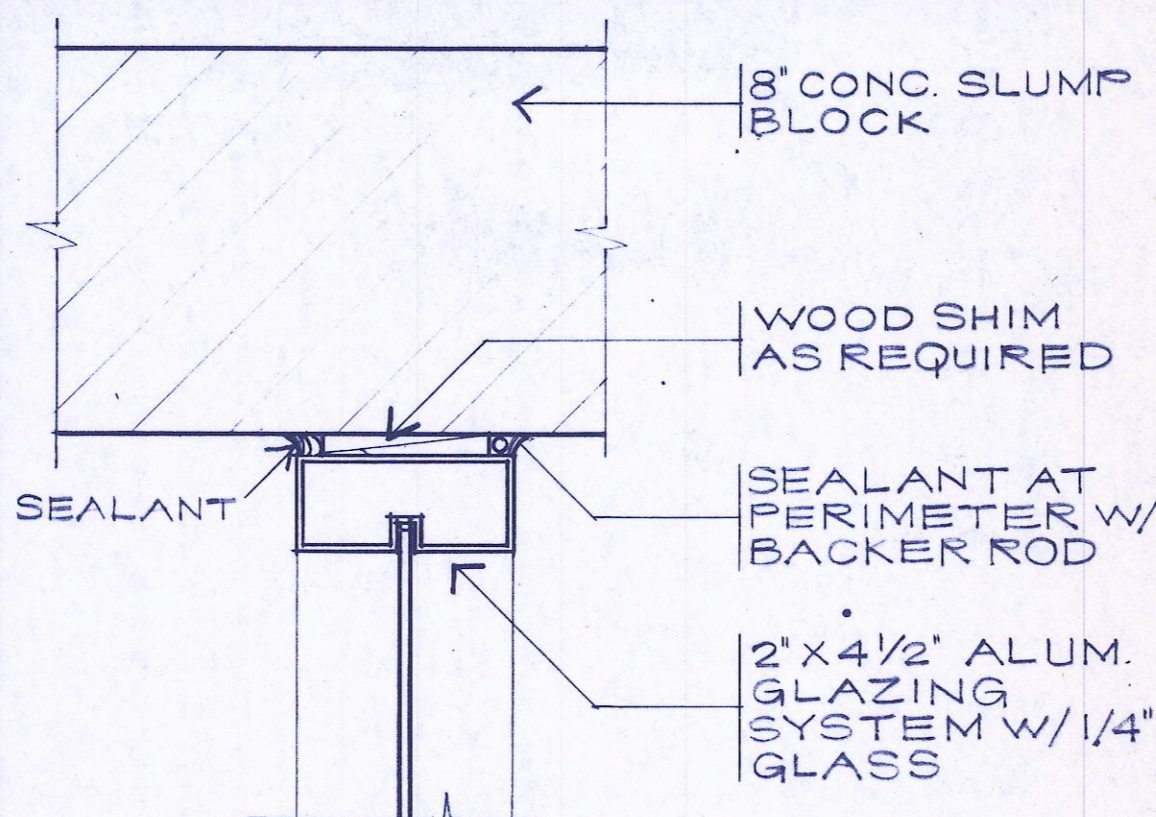
DOOR SCHEDULE



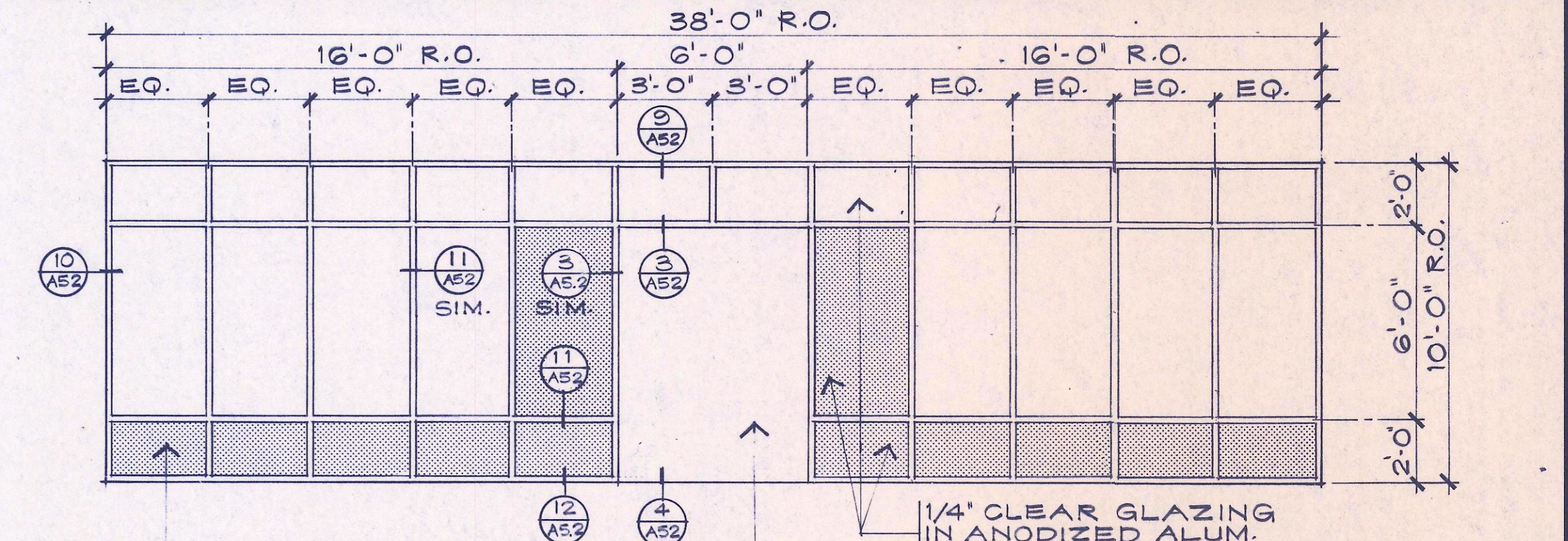
**2 DOOR THRESHOLD**  
DRIVE-THRU SCALE 3" = 1'-0"



**6 WINDOW SILL**  
COLUMN PEDESTAL SCALE 3" = 1'-0"



**10 WINDOW JAMB**  
SCALE 3" = 1'-0"



INDICATES TEMPERED GLASS

NOTE: OVERALL WINDOW DIMENSIONS SHOWN ARE ROUGH OPENINGS PROVIDE SHIM SPACE AS REQUIRED

NOTE: OVERALL WINDOW DIMENSIONS SHOWN ARE ROUGH OPENINGS PROVIDE SHIM SPACE AS REQUIRED

NOTE: OVERALL WINDOW DIMENSIONS SHOWN ARE ROUGH OPENINGS PROVIDE SHIM SPACE AS REQUIRED

NOTE: OVERALL WINDOW DIMENSIONS SHOWN ARE ROUGH OPENINGS PROVIDE SHIM SPACE AS REQUIRED

NOTE: OVERALL WINDOW DIMENSIONS SHOWN ARE ROUGH OPENINGS PROVIDE SHIM SPACE AS REQUIRED

NOTE: OVERALL WINDOW DIMENSIONS SHOWN ARE ROUGH OPENINGS PROVIDE SHIM SPACE AS REQUIRED

NOTE: OVERALL WINDOW DIMENSIONS SHOWN ARE ROUGH OPENINGS PROVIDE SHIM SPACE AS REQUIRED

NOTE: OVERALL WINDOW DIMENSIONS SHOWN ARE ROUGH OPENINGS PROVIDE SHIM SPACE AS REQUIRED

NOTE: OVERALL WINDOW DIMENSIONS SHOWN ARE ROUGH OPENINGS PROVIDE SHIM SPACE AS REQUIRED

NOTE: OVERALL WINDOW DIMENSIONS SHOWN ARE ROUGH OPENINGS PROVIDE SHIM SPACE AS REQUIRED

NOTE: OVERALL WINDOW DIMENSIONS SHOWN ARE ROUGH OPENINGS PROVIDE SHIM SPACE AS REQUIRED

NOTE: OVERALL WINDOW DIMENSIONS SHOWN ARE ROUGH OPENINGS PROVIDE SHIM SPACE AS REQUIRED

NOTE: OVERALL WINDOW DIMENSIONS SHOWN ARE ROUGH OPENINGS PROVIDE SHIM SPACE AS REQUIRED

NOTE: OVERALL WINDOW DIMENSIONS SHOWN ARE ROUGH OPENINGS PROVIDE SHIM SPACE AS REQUIRED

NOTE: OVERALL WINDOW DIMENSIONS SHOWN ARE ROUGH OPENINGS PROVIDE SHIM SPACE AS REQUIRED

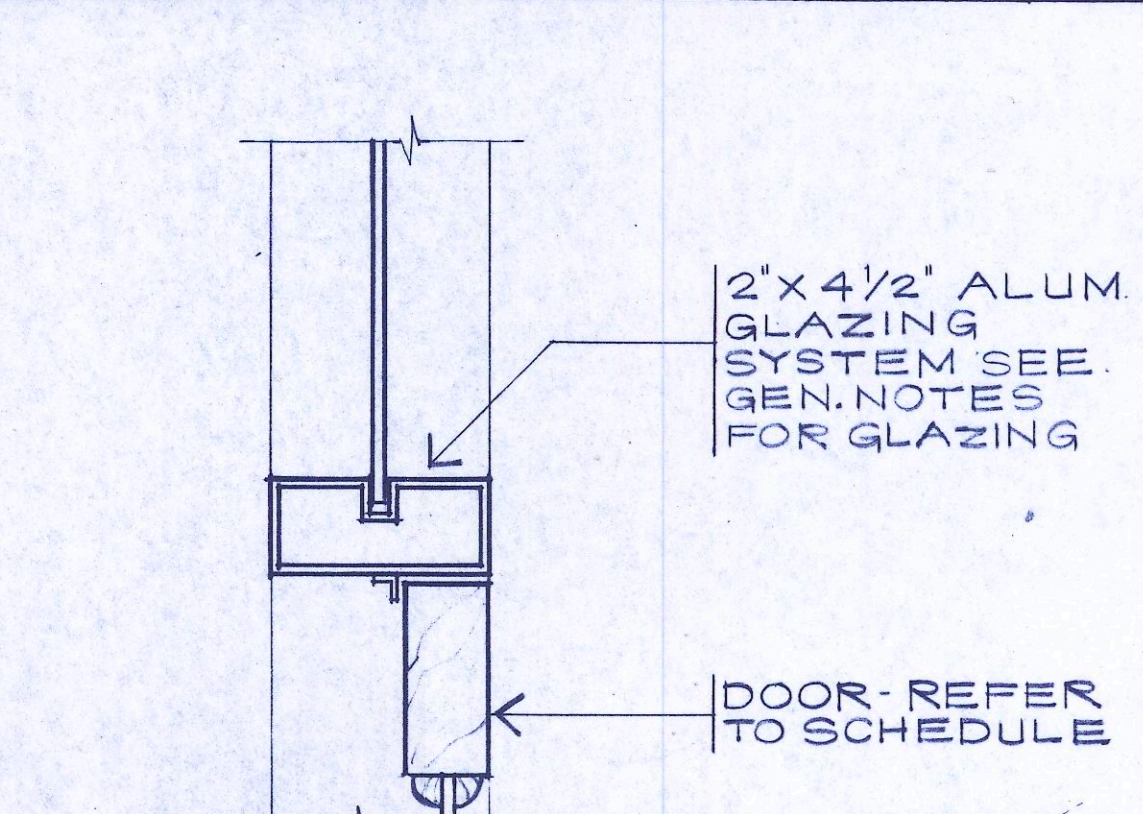
NOTE: OVERALL WINDOW DIMENSIONS SHOWN ARE ROUGH OPENINGS PROVIDE SHIM SPACE AS REQUIRED

NOTE: OVERALL WINDOW DIMENSIONS SHOWN ARE ROUGH OPENINGS PROVIDE SHIM SPACE AS REQUIRED

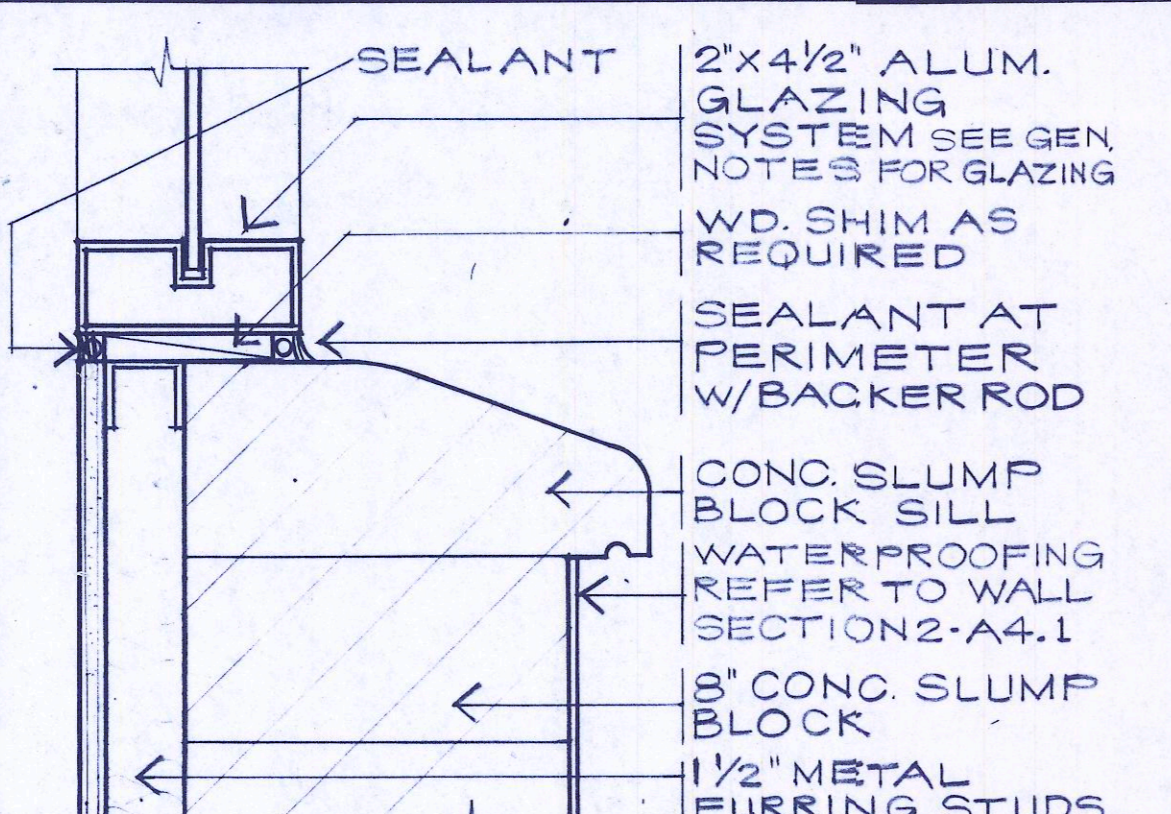
NOTE: OVERALL WINDOW DIMENSIONS SHOWN ARE ROUGH OPENINGS PROVIDE SHIM SPACE AS REQUIRED

NOTE: OVERALL WINDOW DIMENSIONS SHOWN ARE ROUGH OPENINGS PROVIDE SHIM SPACE AS REQUIRED

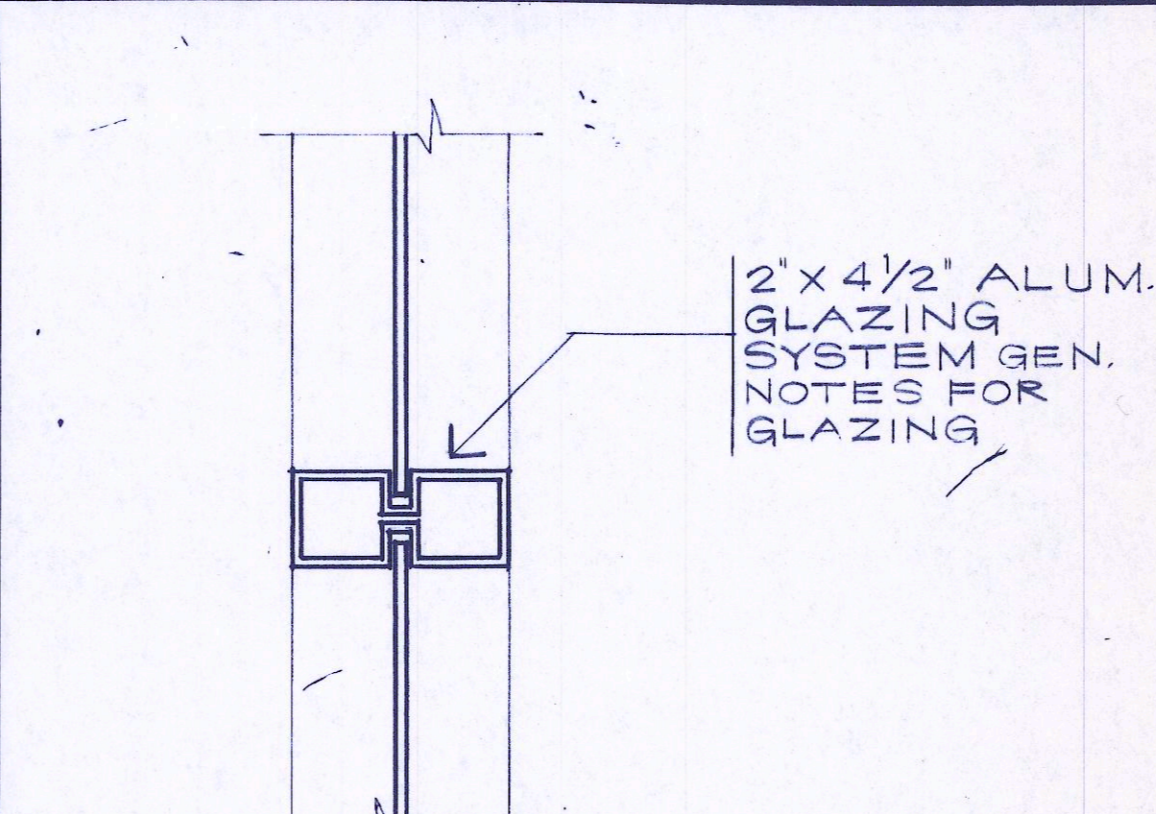
NOTE: OVERALL WINDOW DIMENSIONS SHOWN ARE ROUGH OPENINGS PROVIDE SHIM SPACE AS REQUIRED



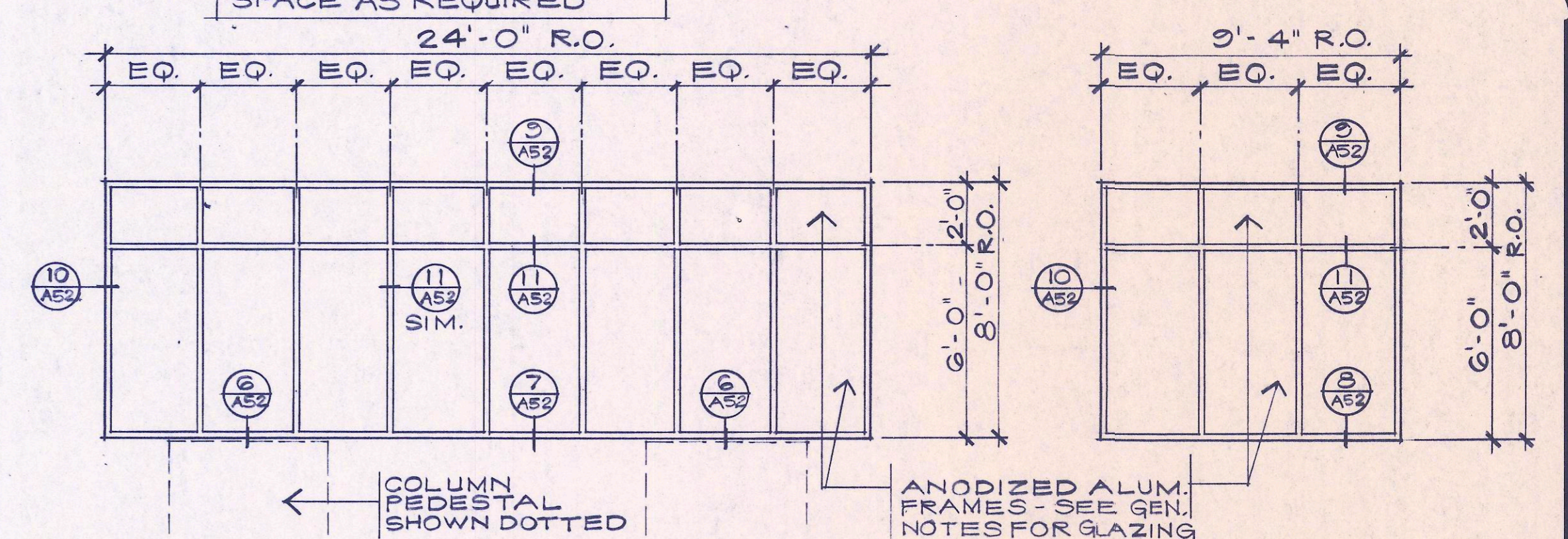
**3 MULLION**  
DOOR JAMB SIMILAR SCALE 3" = 1'-0"



**7 WINDOW SILL**  
SCALE 3" = 1'-0"



**11 WINDOW MULLION**  
SCALE 3" = 1'-0"



NOTE: OVERALL WINDOW DIMENSIONS SHOWN ARE ROUGH OPENINGS PROVIDE SHIM SPACE AS REQUIRED

NOTE: OVERALL WINDOW DIMENSIONS SHOWN ARE ROUGH OPENINGS PROVIDE SHIM SPACE AS REQUIRED

NOTE: OVERALL WINDOW DIMENSIONS SHOWN ARE ROUGH OPENINGS PROVIDE SHIM SPACE AS REQUIRED

NOTE: OVERALL WINDOW DIMENSIONS SHOWN ARE ROUGH OPENINGS PROVIDE SHIM SPACE AS REQUIRED

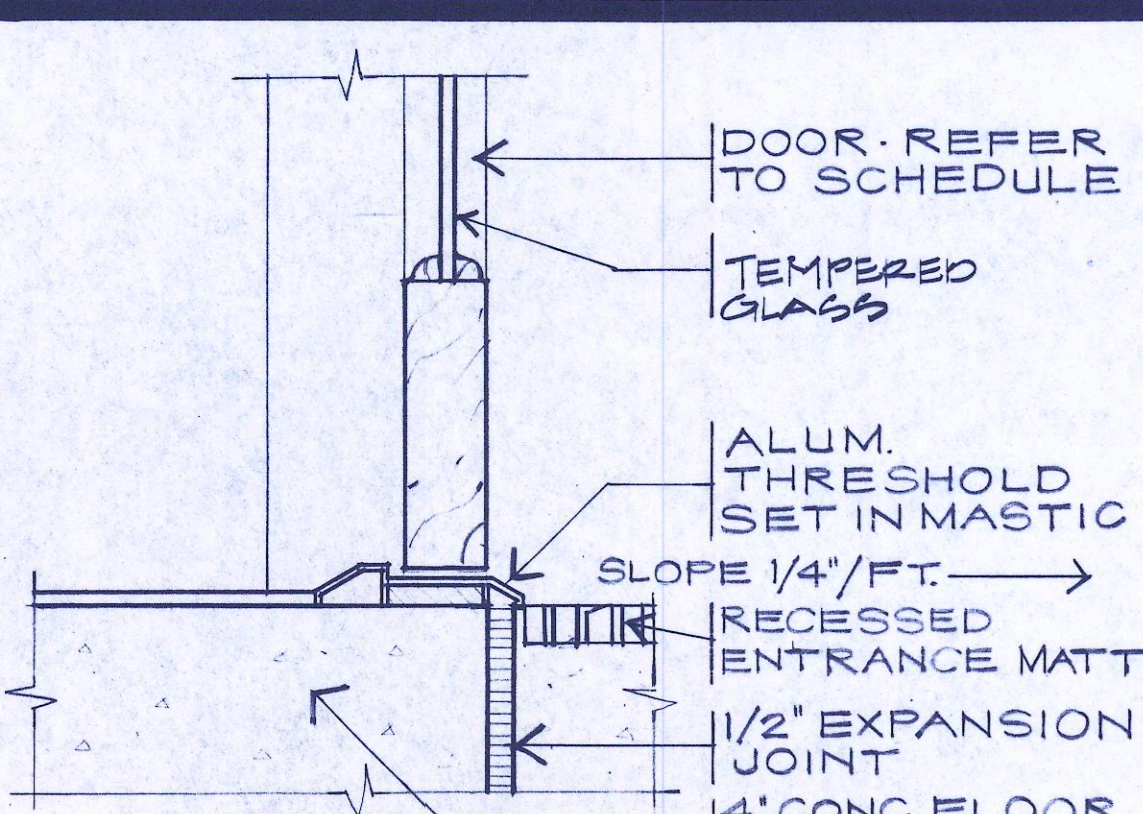
NOTE: OVERALL WINDOW DIMENSIONS SHOWN ARE ROUGH OPENINGS PROVIDE SHIM SPACE AS REQUIRED

NOTE: OVERALL WINDOW DIMENSIONS SHOWN ARE ROUGH OPENINGS PROVIDE SHIM SPACE AS REQUIRED

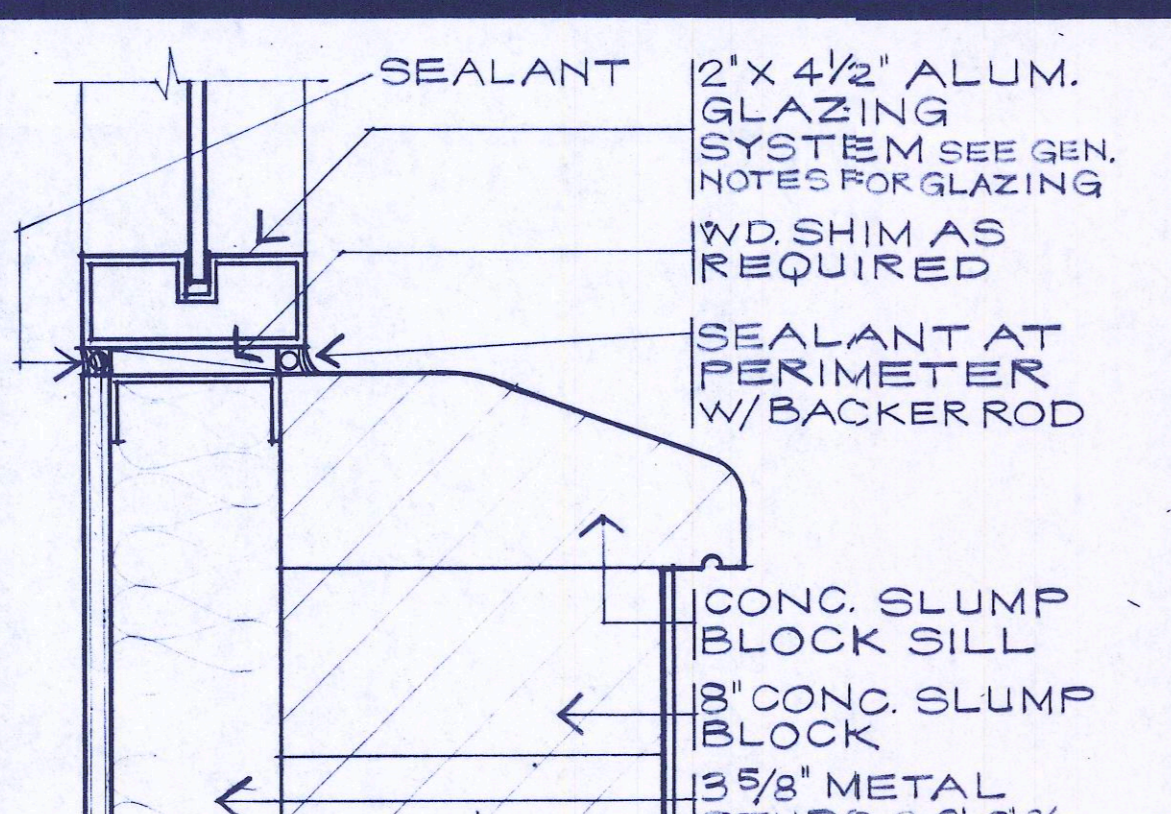
NOTE: OVERALL WINDOW DIMENSIONS SHOWN ARE ROUGH OPENINGS PROVIDE SHIM SPACE AS REQUIRED

NOTE: OVERALL WINDOW DIMENSIONS SHOWN ARE ROUGH OPENINGS PROVIDE SHIM SPACE AS REQUIRED

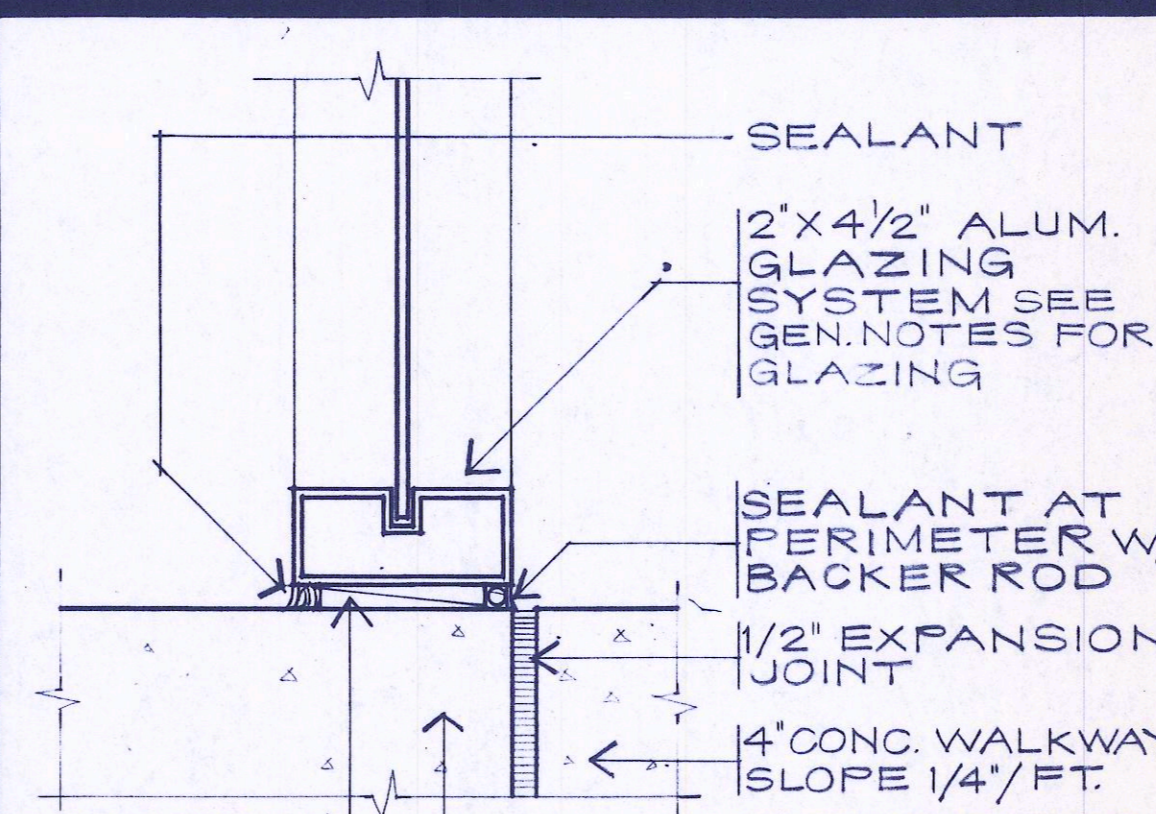
NOTE: OVERALL WINDOW DIMENSIONS SHOWN ARE ROUGH OPENINGS PROVIDE SHIM SPACE AS REQUIRED



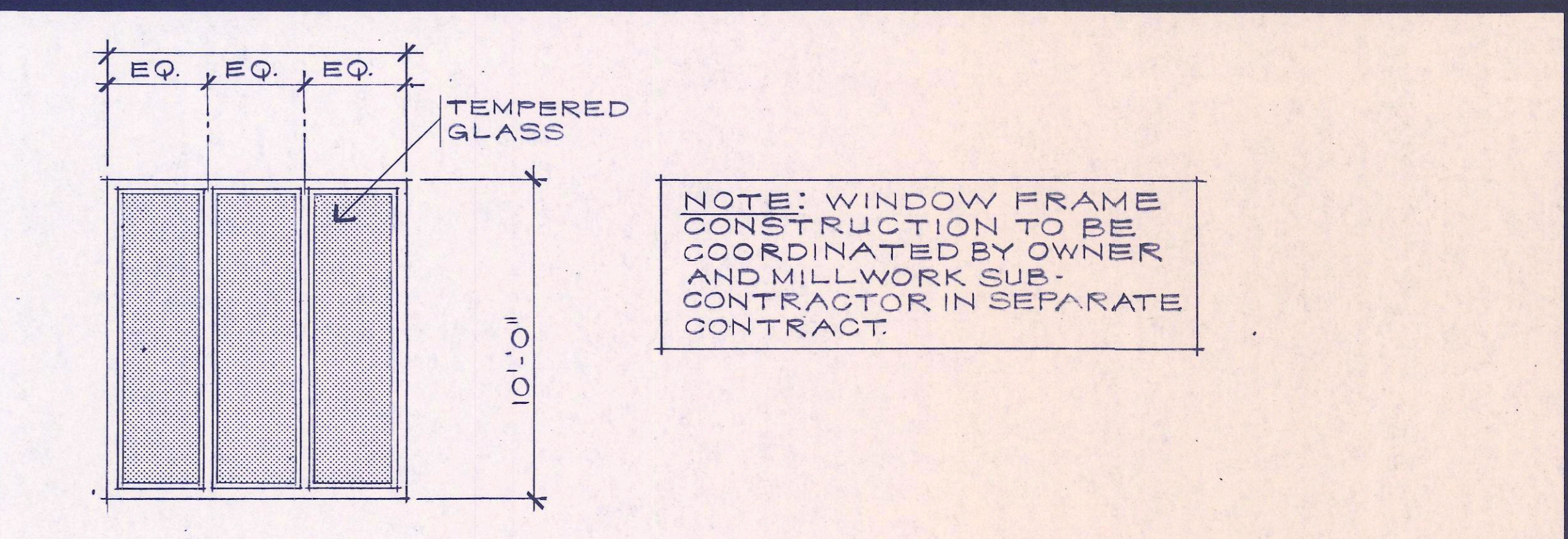
**4 DOOR THRESHOLD**  
ENTRY DOORS SCALE 3" = 1'-0"



**8 WINDOW SILL**  
SCALE 3" = 1'-0"



**12 WINDOW SILL**  
SCALE 3" = 1'-0"



**13 CONFERENCE ROOM WINDOW TYPE**  
SCALE: 1/4" = 1'-0"

