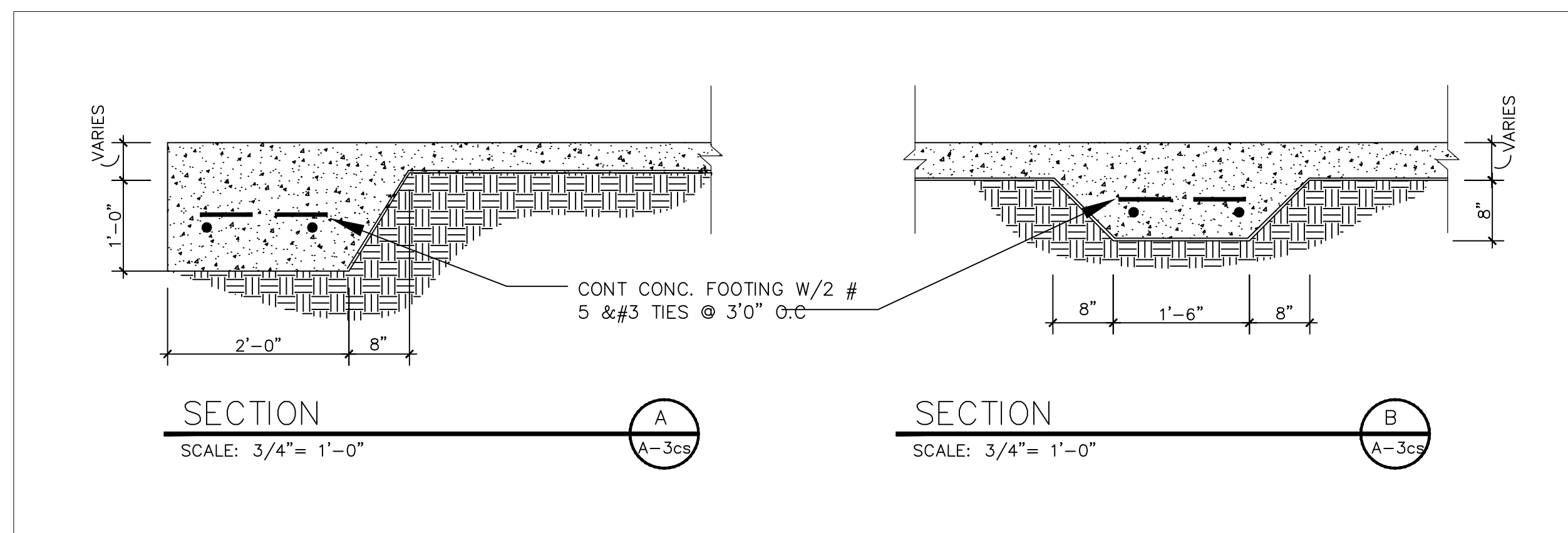


FOUNDATION FLOOR PLAN

FOUNDATION FLOOR PLAN

SCALE: 1/4" = 1'-0"

PLANS COMPLY WITH 2007 FLORIDA BUILDING CODES, EXISTING BUILDING CODE, FLORIDA MECHANICAL CODE, FLORIDA PLUMBING CODE, 2007 FLORIDA PREVENTION CODE, 2008 NATIONAL ELECTRIC CODE (N.E.C.), LEE COUNTY LAND DEVELOPMENT CODE (L.D.C.), AND FLORIDA STATUTES (F.S.) AS WELL AS OTHER CODES AND ORDINANCES AS ADOPTED BY LEE COUNTY, FLORIDA.



SECTION A

SCALE: 3/4" = 1'-0"

SECTION B

SCALE: 3/4" = 1'-0"