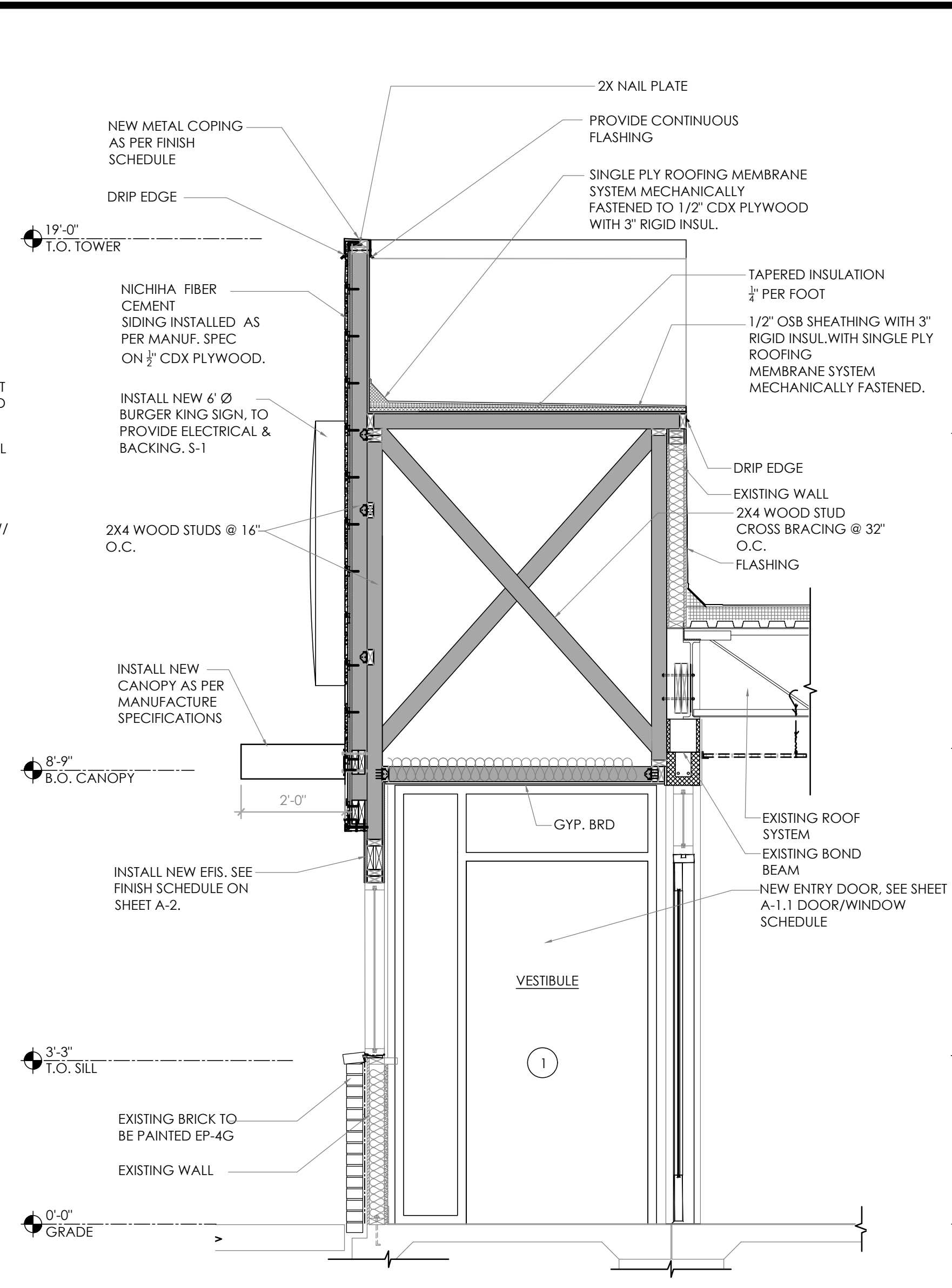
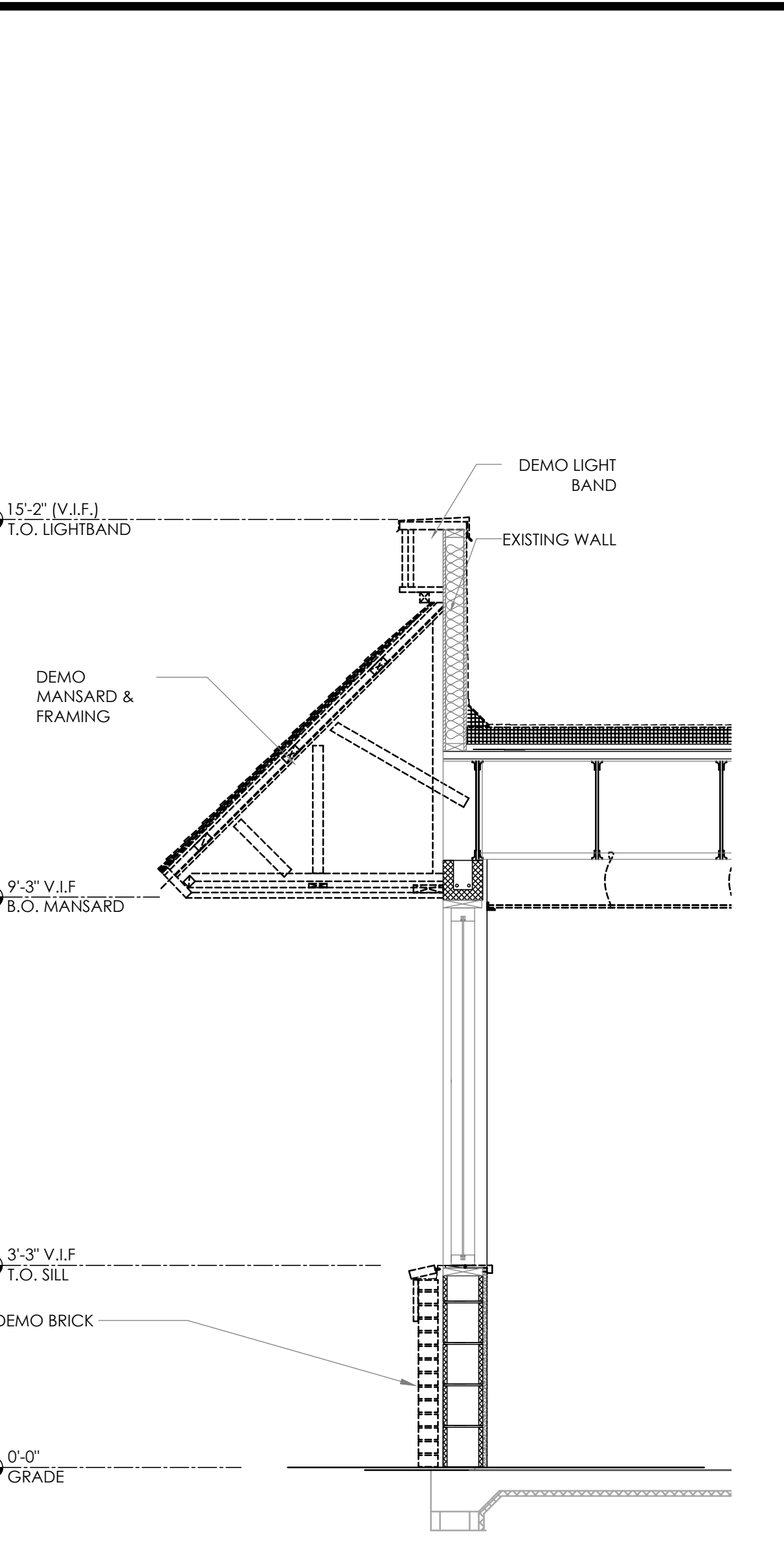


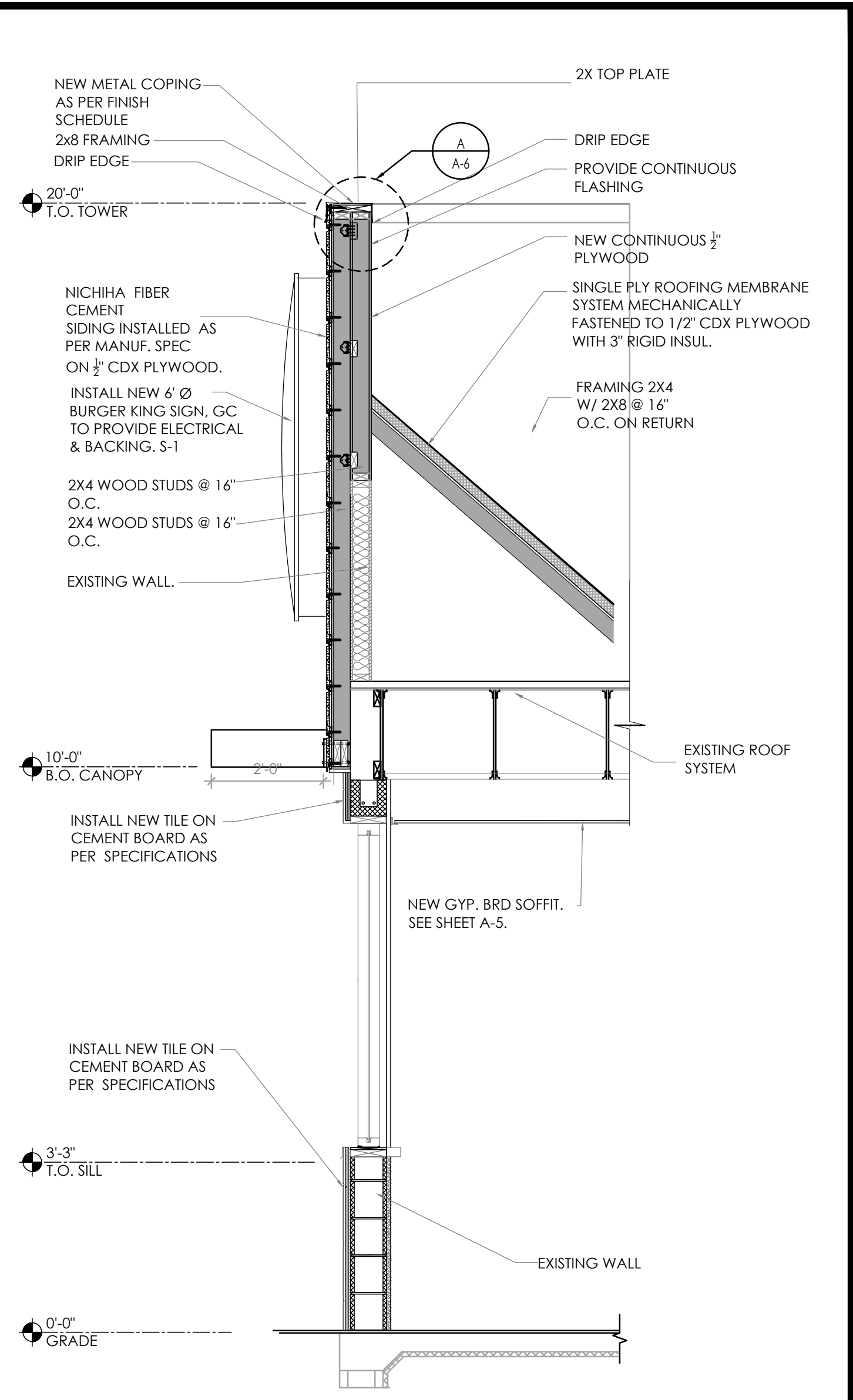
1 DEMO SECTION @ VESTIBULE
SCALE: 1/2" = 1'-0"



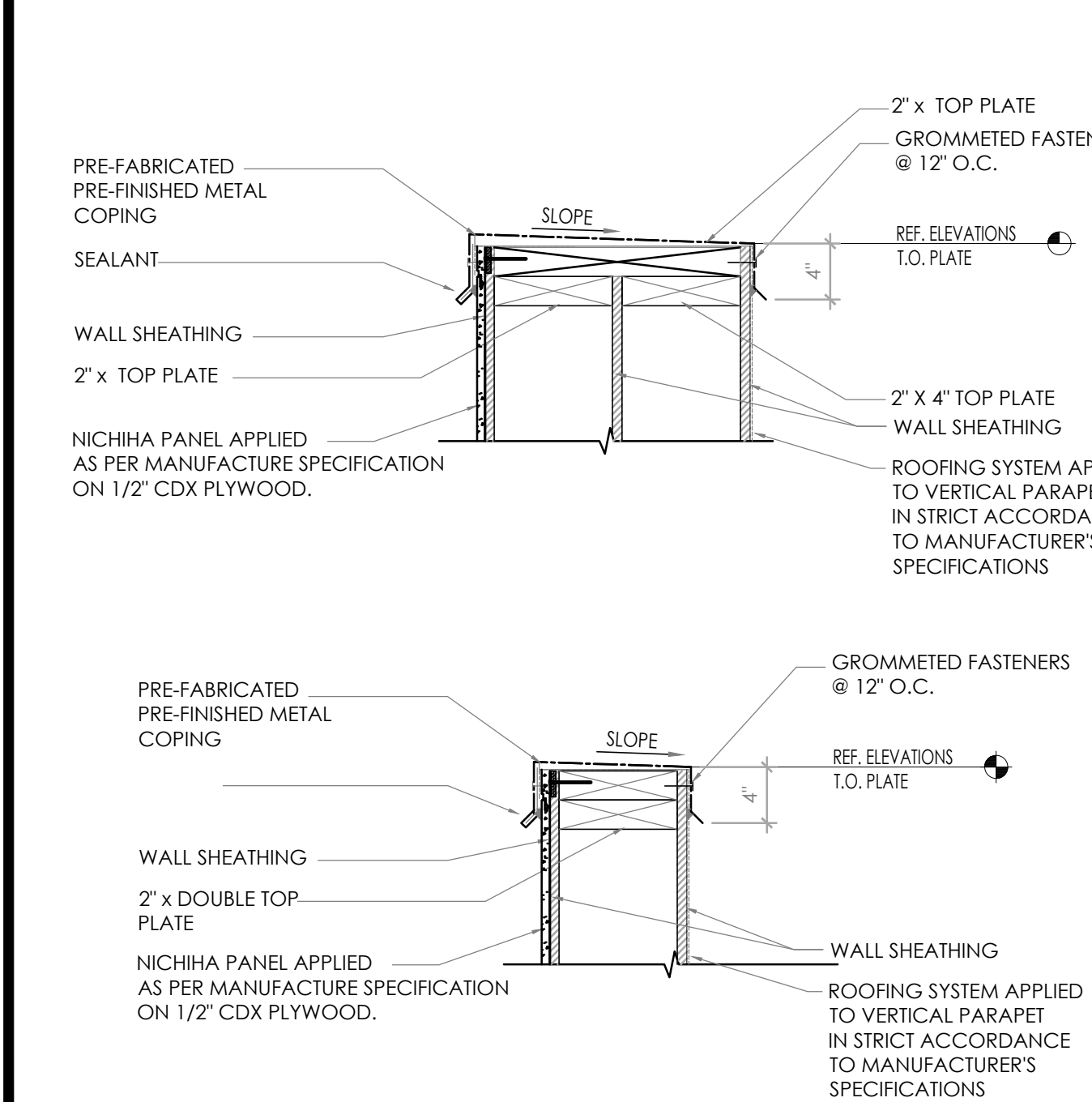
2 PROPOSED SECTION @ VESTIBULE
SCALE: 1/2" = 1'-0"



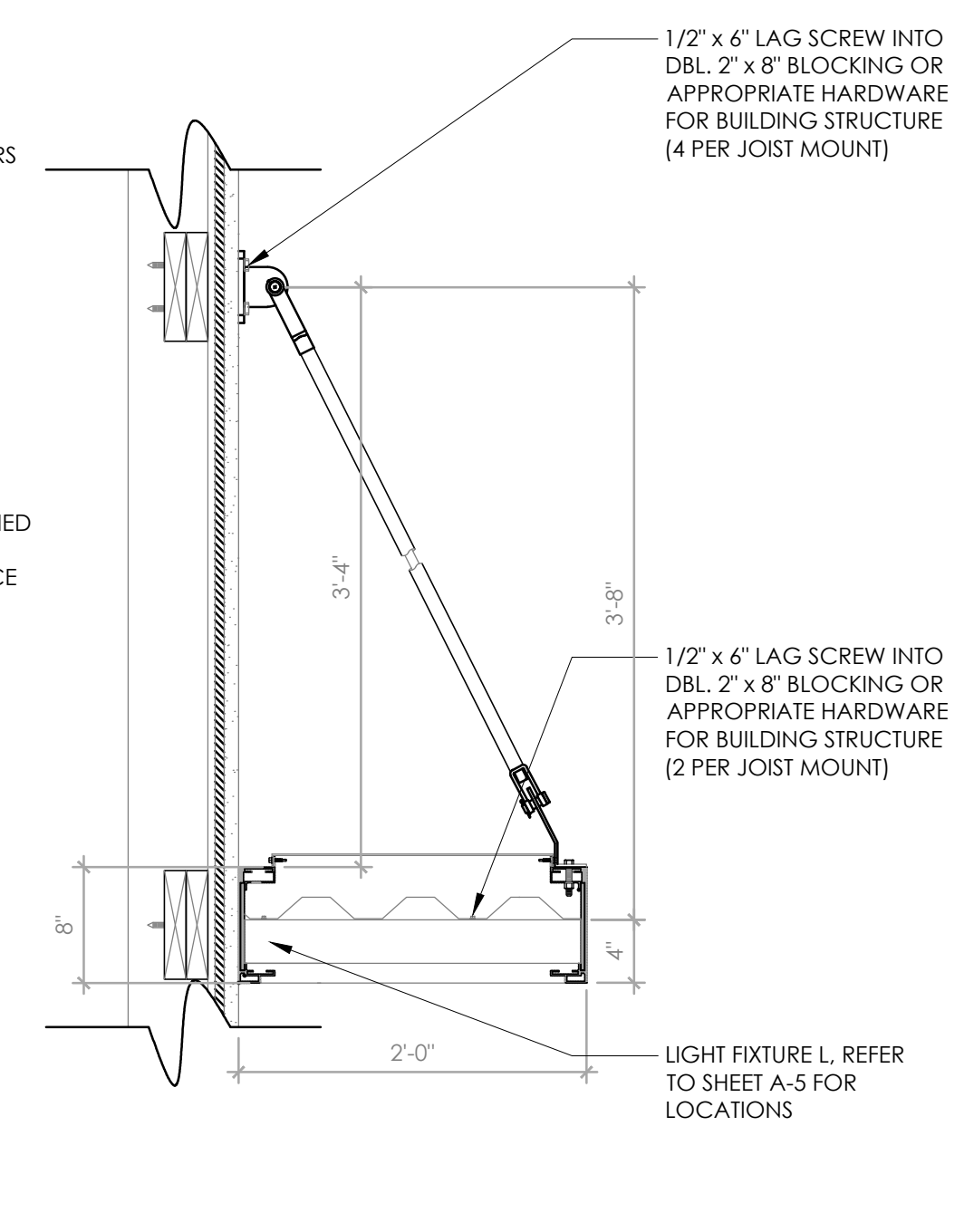
3 DEMO SECTION @ FRONT TOWER
SCALE: 1/2" = 1'-0"



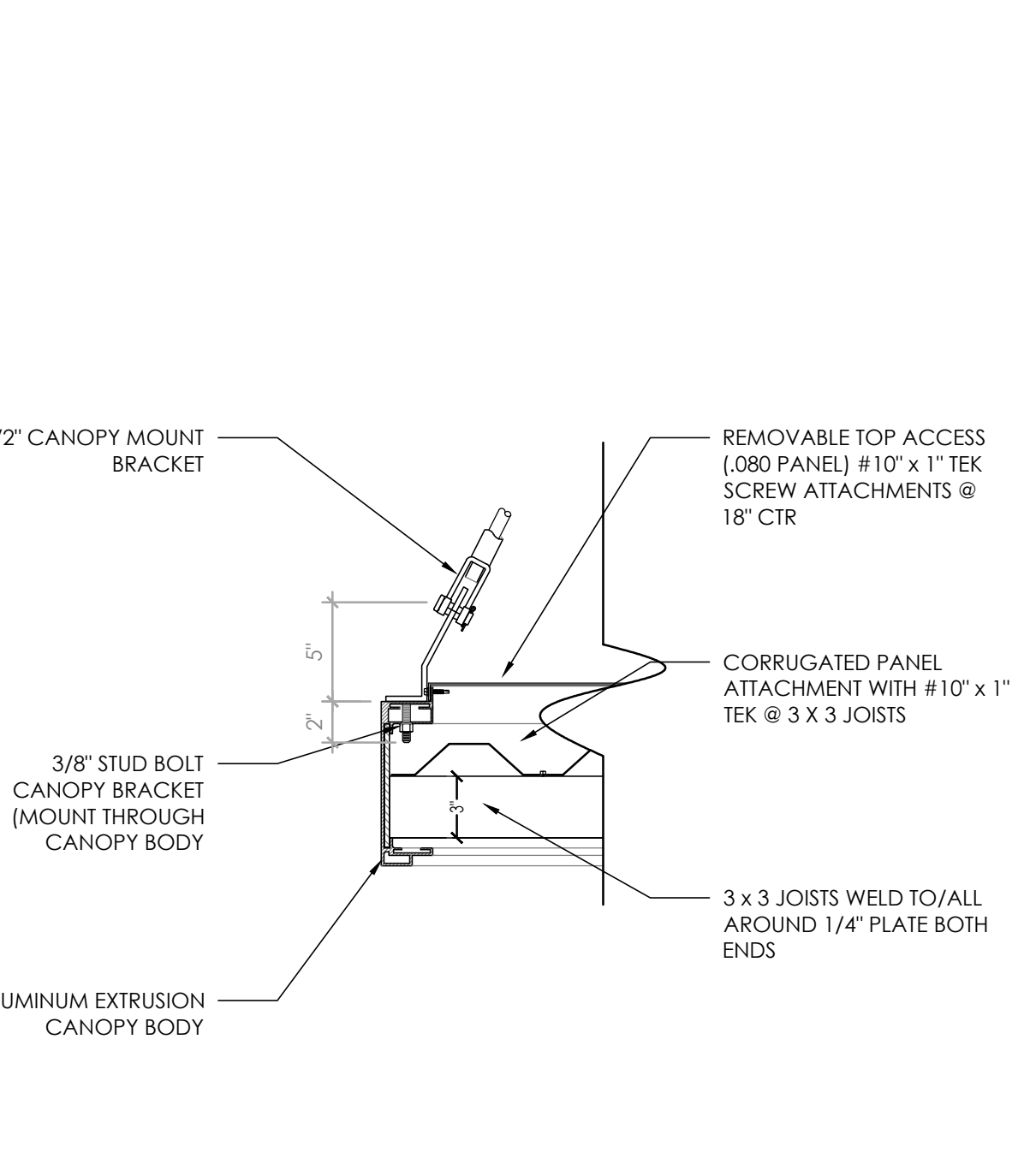
4 PROPOSED SECTION @ FRONT TOWER
SCALE: 1/2" = 1'-0"



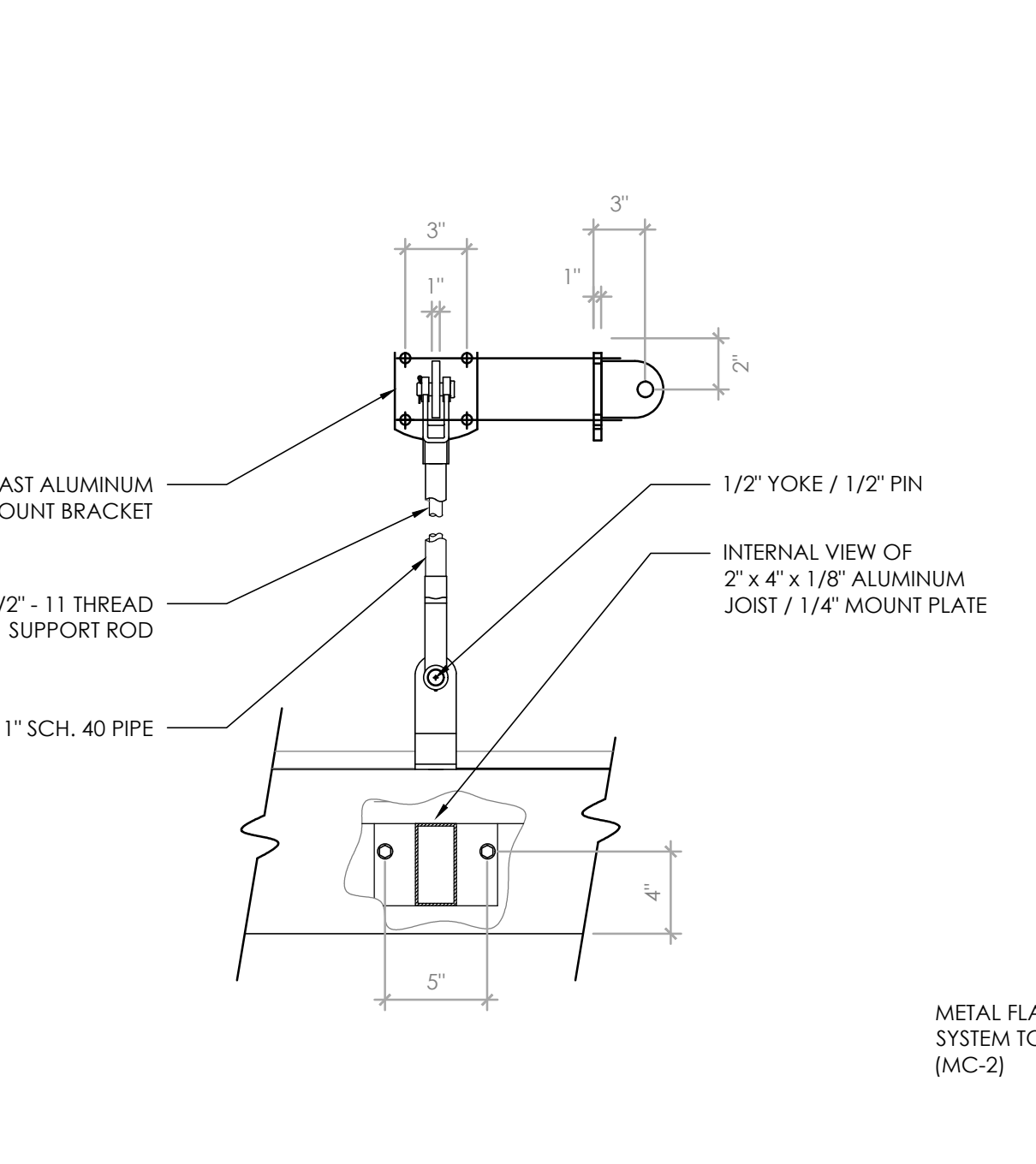
A PARAPET DETAIL
NOT TO SCALE



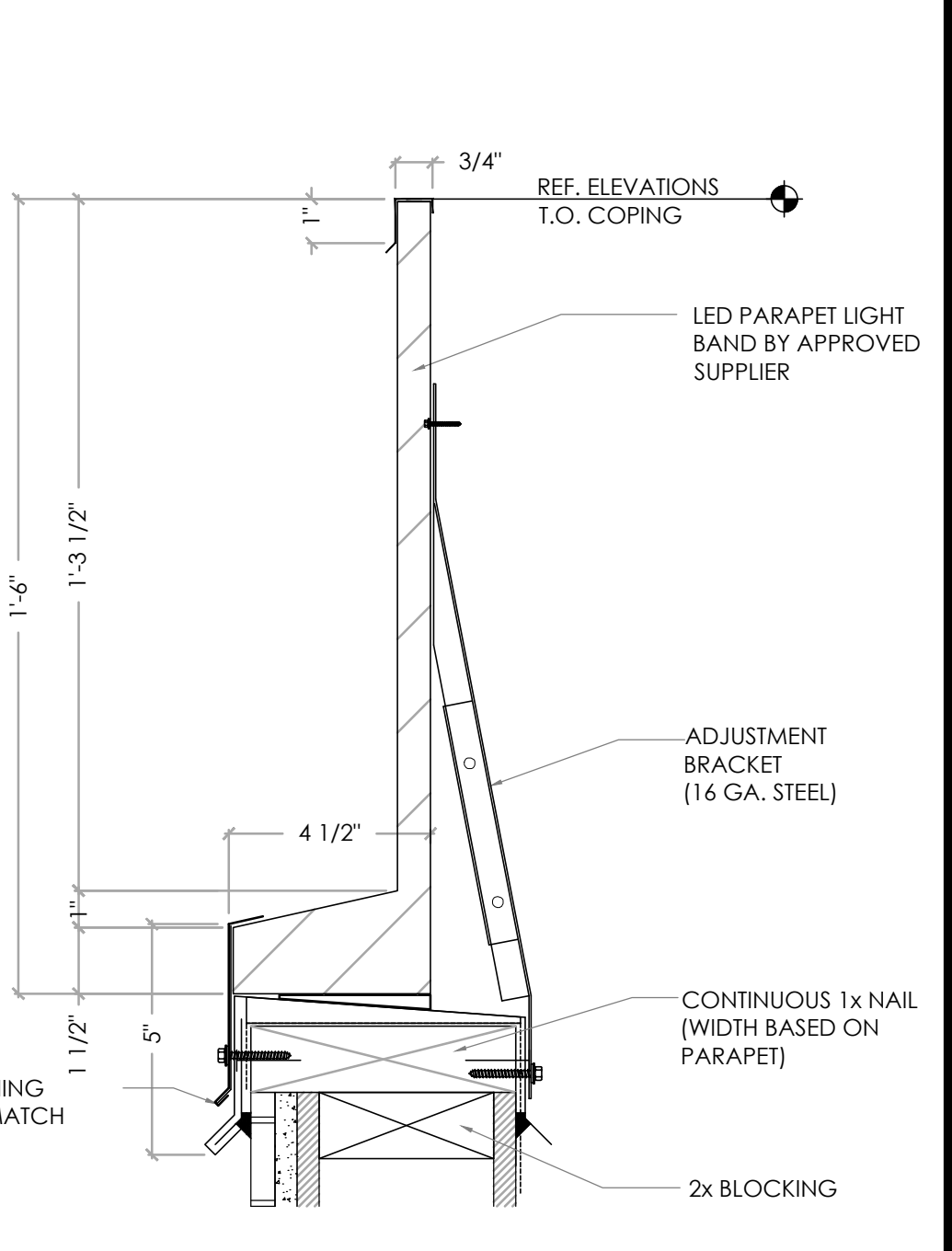
B CANOPY SECTION SIDE VIEW
SCALE: 1" = 1'-0"



C CANOPY SECTION @ TIE ROD SUPPORT
SCALE: 1-1/2" = 1'-0"



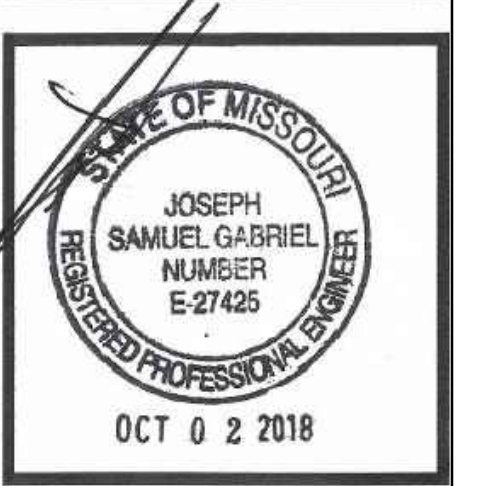
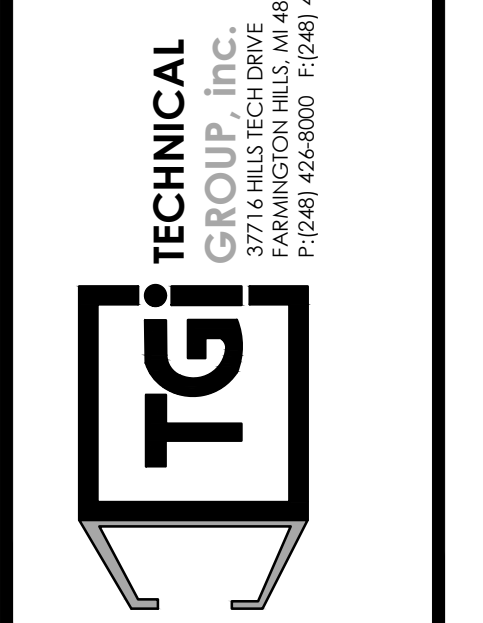
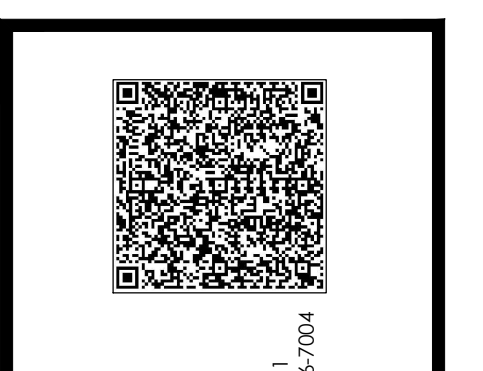
D CANOPY SECTION @ TIE ROD SUPPORT
SCALE: 1-1/2" = 1'-0"



E PARAPET LIGHT BAND DETAIL
NOT TO SCALE

NO.	DATE	BY	NOTES
1	08/10/2018	DB	FOR SUBMITTAL TO BKC
2	08/30/2018	DB	REVISIONS SUBMITTAL TO BKC
3	09/19/2018	DB	REVISIONS TO CITY
4	10/22/2018	ENK	REVISIONS TO CITY
5	11/05/2018	ENK	REVISIONS TO CITY

Drawn By: DB
Checked: SB
Scale: AS NOTED
Date: 08.01.18



PROJECT BURGER KING #1723 1517 S. BELT HWY ST. JOSEPH, MO 64507	SHEET TITLE WALL SECTIONS AND DETAILS
DO NOT SCALE THIS PRINT. USE FIGURED DIMENSIONS ONLY.	
JOB # TG-18531	SHEET
A-6	