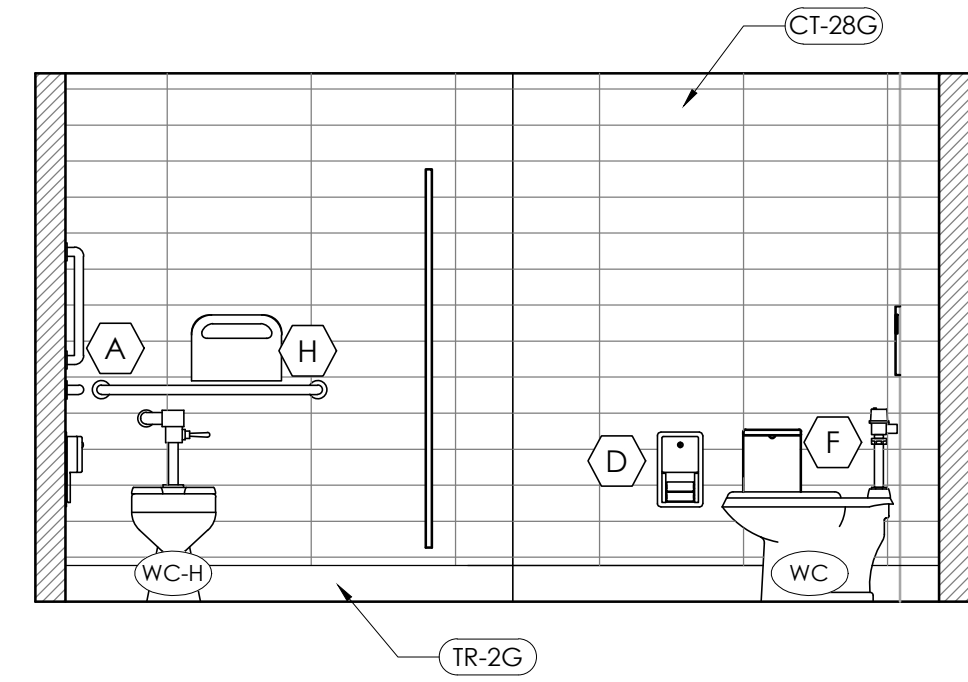
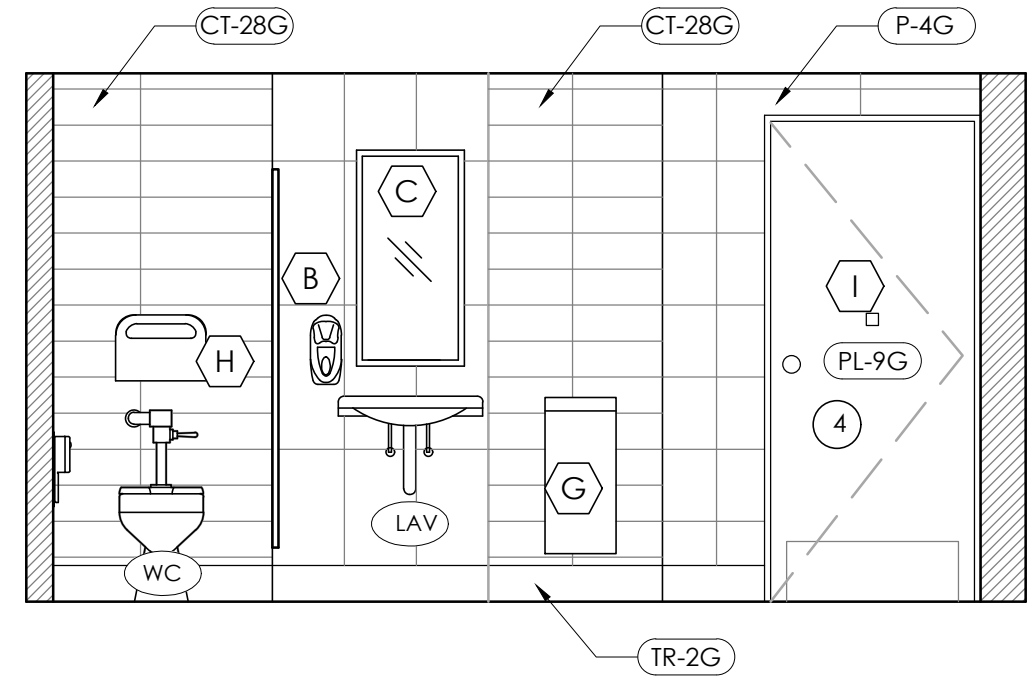


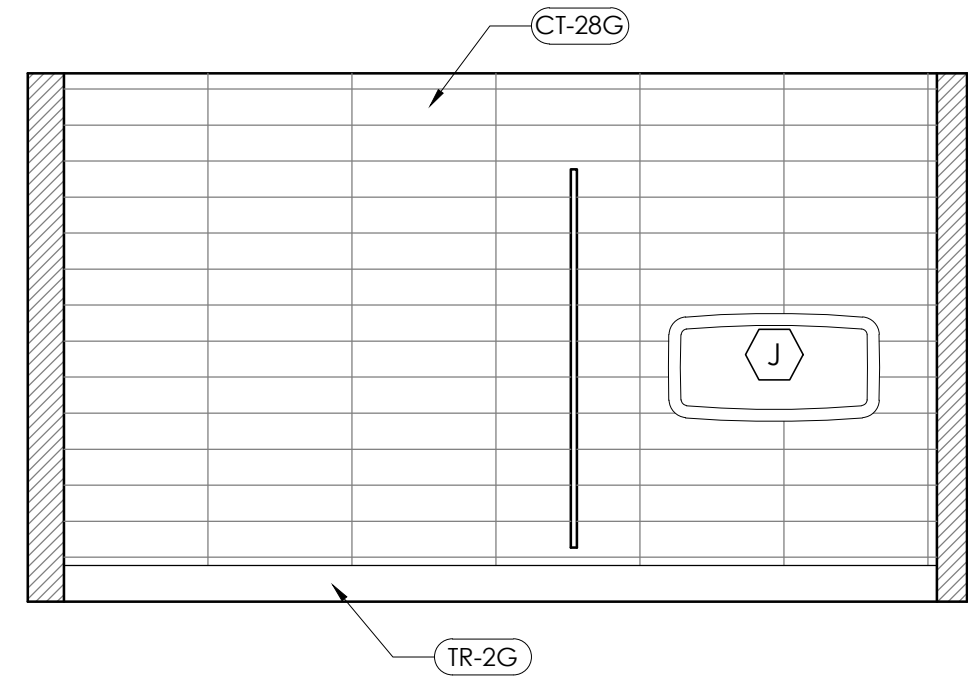
1 WOMEN'S RESTROOM ELEVATION
SCALE: 3/8" = 1'-0"



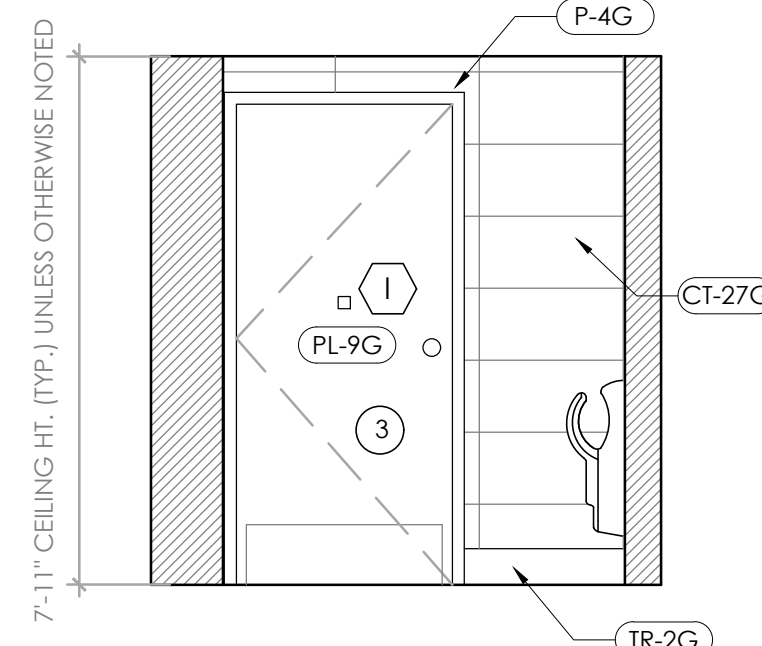
2 WOMEN'S RESTROOM ELEVATION
SCALE: 3/8" = 1'-0"



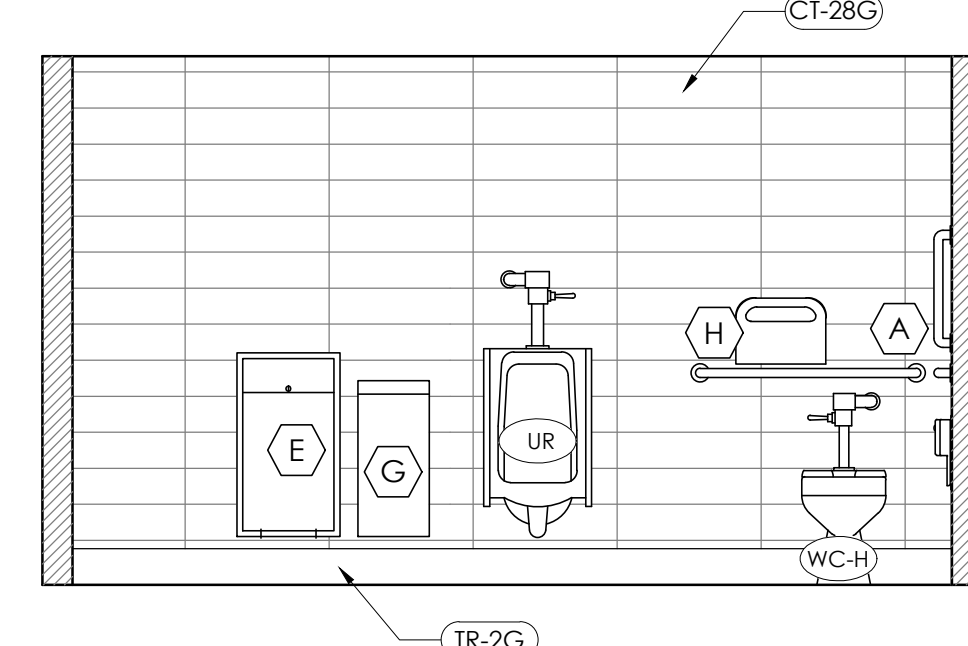
3 WOMEN'S RESTROOM ELEVATION
SCALE: 3/8" = 1'-0"



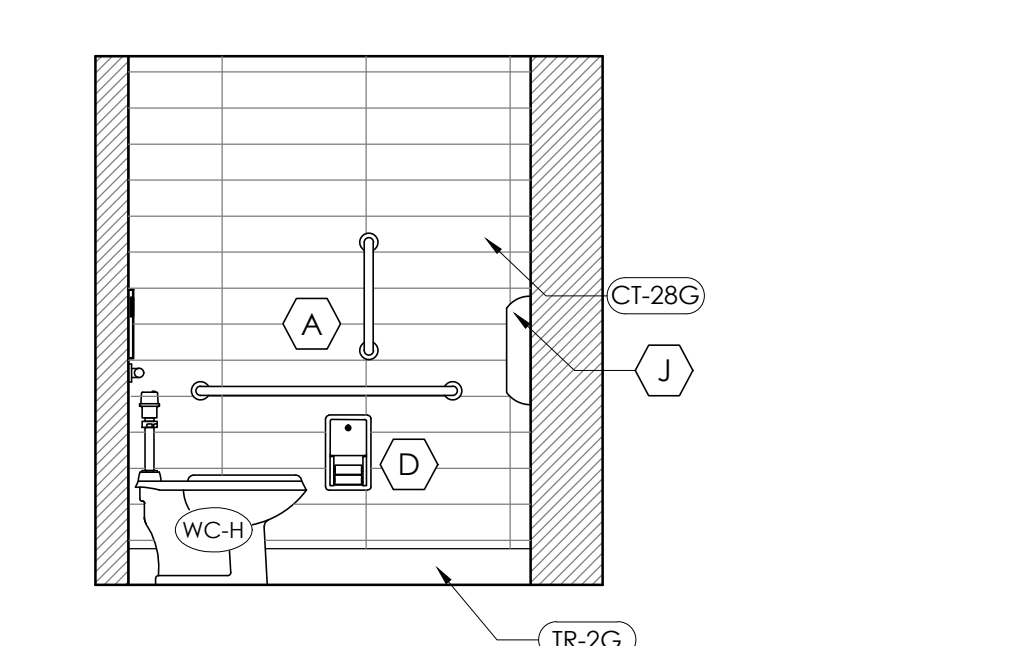
4 WOMEN'S RESTROOM ELEVATION
SCALE: 3/8" = 1'-0"



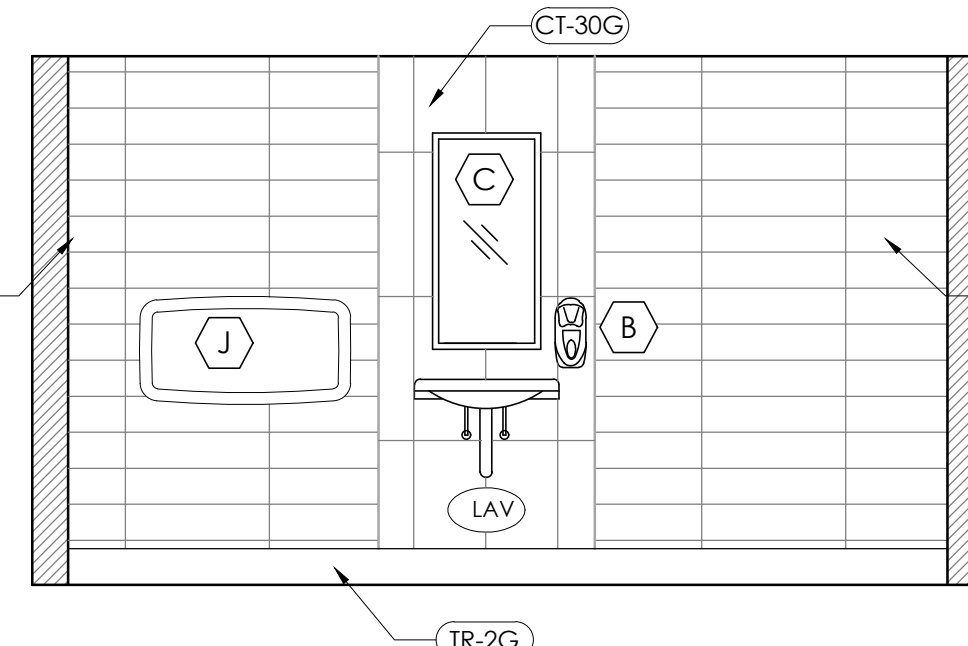
5 MEN'S RESTROOM ELEVATION
SCALE: 3/8" = 1'-0"



6 MEN'S RESTROOM ELEVATION
SCALE: 3/8" = 1'-0"

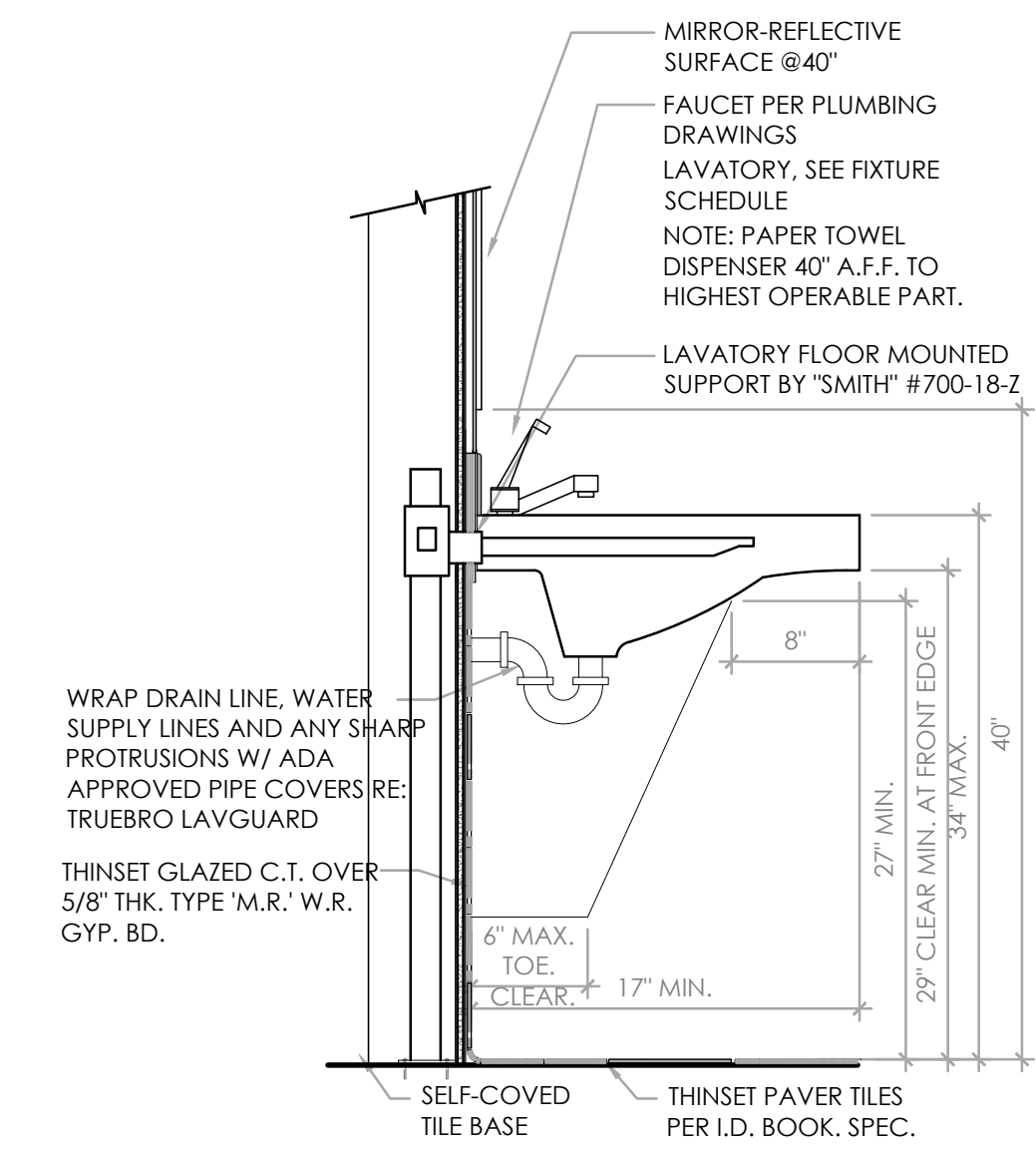


7 MEN'S RESTROOM ELEVATION
SCALE: 3/8" = 1'-0"

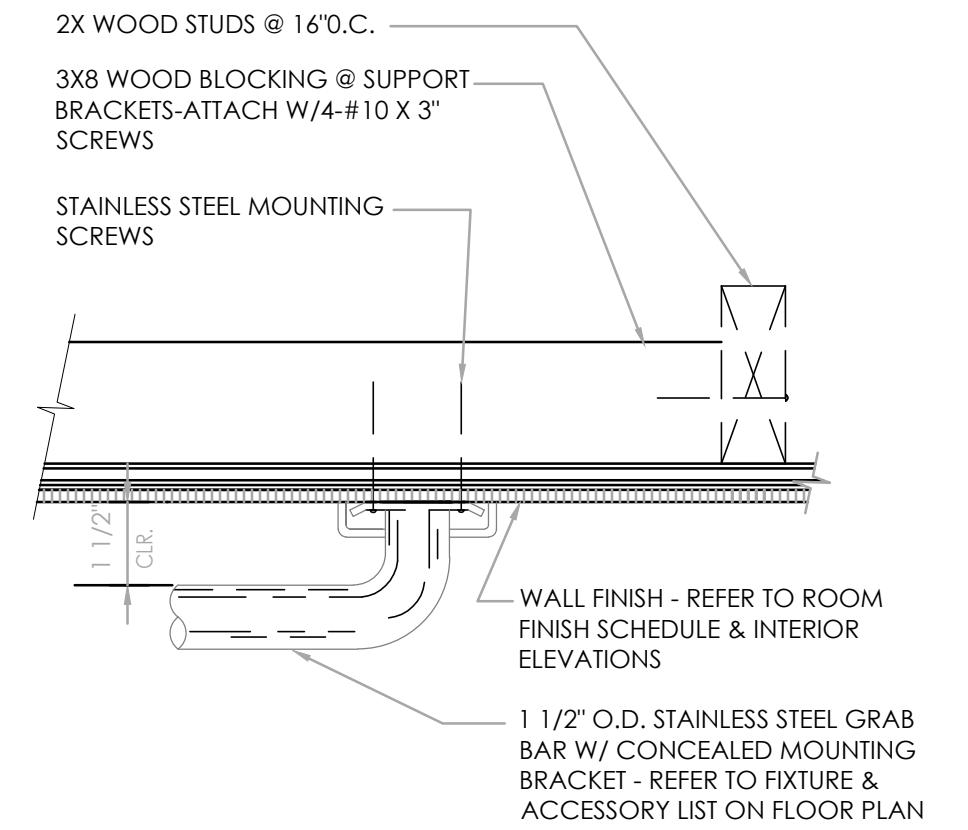


8 MEN'S RESTROOM ELEVATION
SCALE: 3/8" = 1'-0"

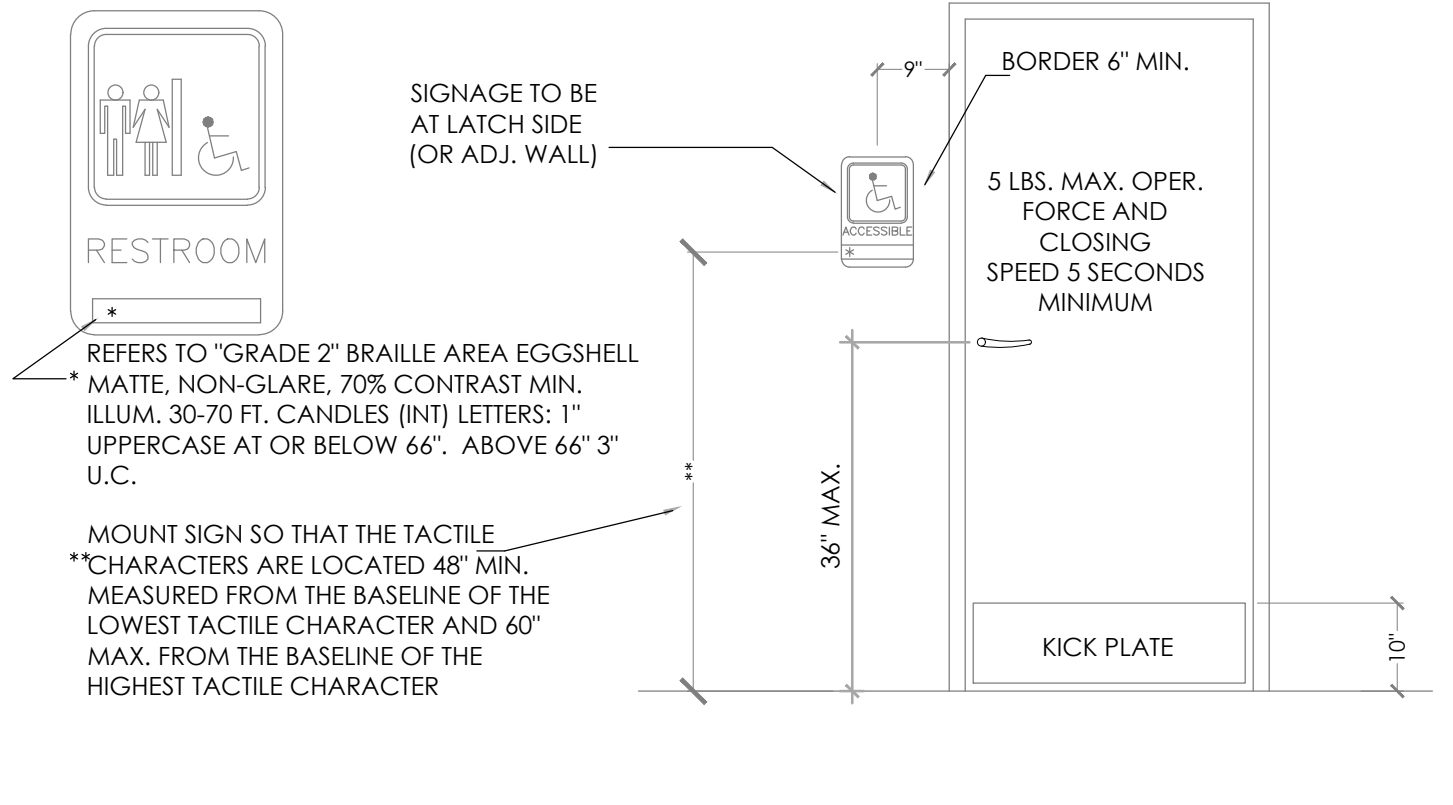
- ### GENERAL TOILET ROOM NOTES
- MINIMUM ONE W/C PER RESTROOM MUST BE ACCESSIBLE IN COMPLIANCE W/ ANSI 604 ADA 604 AS SHOWN.
 - LAVATORIES SHALL BE MOUNTED WITH THE RIM OR COUNTER SURFACE NO HIGHER THAN 34" ABOVE THE FINISHED FLOOR AND WITH A CLEARANCE OF AT LEAST 29" FROM THE FLOOR TO THE BOTTOM OF THE APRON WITH KNEE CLEARANCE UNDER THE FRONT LIP EXTENDING A MINIMUM OF 30" IN WIDTH AND 8" MINIMUM DEPTH AT THE TOP. TOE CLEARANCE SHALL BE THE SAME WIDTH AND SHALL BE A MINIMUM OF 9" HIGH FROM THE FLOOR AND MINIMUM OF 17" DEEP. (IBC 1108.13 & ANSI 606 ADA 606.6)
 - HOT WATER AND DRAIN PIPES, ACCESSIBLE UNDER LAVATORIES SHALL BE INSULATED OR OTHERWISE COVERED. THERE SHALL BE NO SHARP OR ABRASIVE SURFACE UNDER LAVATORIES (ANSI 606.6 ADA 606.5)
 - CONTROLS FOR WATER CLOSET FLUSH VALVES SHALL BE MOUNTED ON THE OPEN SIDE OF TOILET AREAS. (ANSI 604.6 ADA 604.6)
 - WATER CLOSET AND URINAL FLUSH VALVE CONTROLS, AND FAUCET AND OPERATING MECHANISM CONTROLS, SHALL BE OPERABLE WITH ONE HAND, SHALL NOT REQUIRE TIGHT GRASPING, PINCHING, OR TWISTING OF THE WRIST, AND SHALL BE MOUNTED NO MORE THAN 46" ABOVE THE FLOOR. (ANSI 604.6 ADA 604.6)
 - THE FORCE REQUIRED TO ACTIVATE WATER CLOSET AND URINAL FLUSH VALVE CONTROLS, FAUCET AND OPERATING MECHANISM CONTROLS, SHALL BE NO GREATER THAN 5 LBS. (ANSI 309.4 ADA 309.4)
 - WHERE TOWEL, SANITARY NAPKINS, WASTE RECEPTACLES, AND OTHER SIMILAR DISPENSING AND DISPOSAL FIXTURES ARE PROVIDED, AT LEAST ONE OF EACH TYPE SHALL BE LOCATED WITH ALL OPERABLE PARTS, INCLUDING COIN SLOTS, WITHIN 46" FROM THE FINISH FLOOR. (ANSI 309.4 ADA 304.9)
 - REINSTALL COMPARTMENT FIXTURES (TISSUE DISP., SAN. NAPKIN DISP.) ACCESSIBLE TOILET PAPER DISPENSERS SHALL COMPLY WITH ANSI 309.4 AND SHALL BE 7" MINIMUM AND 9" MAXIMUM IN FRONT OF THE WATER CLOSET. THE OUTLET OF THE DISPENSER SHALL BE 15" MINIMUM AND 48" MAXIMUM ABOVE THE FLOOR OR GROUND. THERE SHALL BE A CLEARANCE OF 1 1/2" MINIMUM BELOW AND 12" MINIMUM ABOVE THE GRAB BAR. DISPENSERS SHALL NOT BE OF A TYPE THAT CONTROL DELIVERY, OR THAT DO NOT ALLOW CONTINUOUS PAPER FLOW. (ANSI 604.7 ADA 604.7)
 - GRAB BARS AT THE SIDE SHALL BE AT LEAST 42" LONG POSITIONED NO MORE THAN 12" FROM THE REAR WALL. GRAB BARS AT THE BACK SHALL BE NOT LESS THAN 36" LONG. VERTICAL GRAB BARS TO BE 18" IN LENGTH AND 39"-41" AFF AND POSITIONED 39"-41" FROM REAR WALL. (IBC 1607.7 & ANSI 604.8.4.1 ADA 604.8.1.5)
 - THE DIAMETER OR WIDTH OF THE GRIPPING SURFACE OF A GRAB BAR SHALL BE 1 1/2" TO 1 3/4" OR THE SHAPE SHALL PROVIDE AN EQUIVALENT GRIPPING SURFACE. IF GRAB BARS ARE MOUNTED ADJACENT TO A WALL, THE SPACE BETWEEN THE WALL AND THE GRAB BARS SHALL BE 1 1/2". (ANSI 609.2 ADA 609.2)
 - THE GRAB BAR AND ANY WALL OR OTHER SURFACE ADJACENT TO IT SHALL BE FREE OF ANY SHARP OR ABRASIVE ELEMENTS. EDGES SHALL HAVE A MINIMUM RADIUS OF 1/8". (ANSI 609.5 ADA 609.5)
 - CONTRACTOR SHALL PROVIDE BACKING PLATES AT TOILET FIXTURES, LAVATORIES, GRAB BARS, AND TOILET PARTITION ANCHORAGE AREAS PER MANUFACTURERS REQUIRED STANDARDS. (TYPICAL, NO EXCEPTIONS)



A LAVATORY DETAIL
SCALE: 1" = 1'-0"



B GRAB BAR
NOT TO SCALE



C BRAILLE SYMBOL
SCALE: 1/2" = 1'-0"

TAG KEY		
FINISH TAGS	FIXTURE TAGS	KEY NOTES
(AA-#)	(A)	(#)
SEE SHEET A-3	SEE SHEET A-3	

INT. SYM. OF ACCESSIBILITY

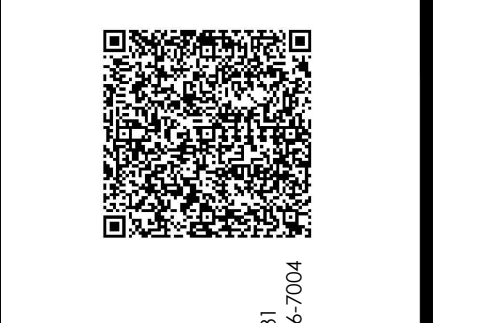
NOTE: THE INTERNATIONAL SYMBOL OF ACCESSIBILITY SHALL BE THE STANDARD USED TO IDENTIFY FACILITIES THAT ARE ACCESSIBLE TO AND USABLE BY PHYSICALLY DISABLED PERSONS.

- THE INTERNATIONAL SYMBOL OF ACCESSIBILITY SHALL CONSIST OF A WHITE FIGURE ON A BLUE BACKGROUND. THE BLUE SHALL BE EQUAL TO COLOR NO. 15990 IN FEDERAL STANDARD 599B.
- LETTERS AND NUMBERS ON SIGNS SHALL HAVE A WIDTH-TO-HEIGHT RATIO OF BETWEEN 3:5 AND 1:1 AND A STROKE WIDTH-TO-HEIGHT RATIO BETWEEN 1:5 AND 1:10.
- CHARACTERS AND NUMBERS ON SIGNS SHALL BE SIZED ACCORDING TO THE VIEWING DISTANCE FROM WHICH THEY ARE TO BE READ. THE MINIMUM HEIGHT IS MEASURED USING AN UPPER CASE X. LOWER CASE CHARACTERS ARE PERMITTED, FOR SIGNS SUSPENDED OR PROJECTED ABOVE THE FINISH FLOOR.
- CHARACTERS AND SYMBOLS SHALL CONTRAST WITH THEIR BACKGROUND, EITHER LIGHT CHARACTERS ON A DARK BACKGROUND OR DARK CHARACTERS ON A LIGHT BACKGROUND.

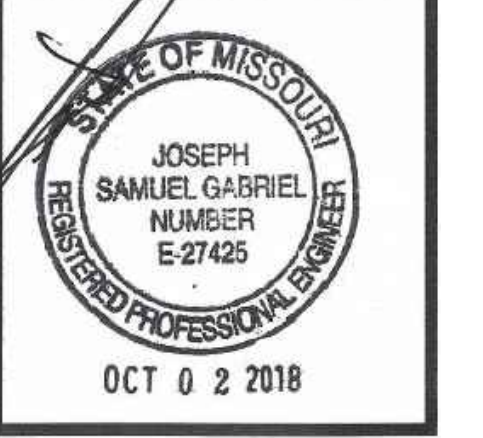
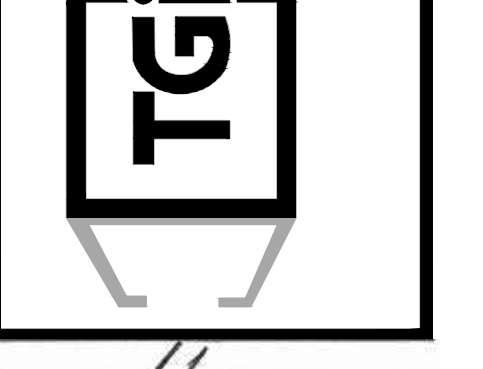
- ### TOILET ROOM ELEVATION KEY NOTES
- A** GRAB BAR - 250 LBF. MINIMUM 33" MIN. - 36" MAX. HEIGHT TO THE TOP OF THE GRIPPING SURFACE. BOBRICK WASHROOM EQUIPMENT, INC. PROVIDE THE REQUIRED QUANTITY AND LENGTH AS INDICATED ON THE DRAWINGS OR AS REQUIRED BY THE GOVERNING CODE. THE BAR SHALL 1 1/2" IN DIAMETER AND MOUNTED WITH 1 1/2" CLEARANCE FROM THE WALL.
 - B** WALL MOUNTED SOAP DISPENSER & HAND SANITIZER DISPENSER (48" MAXIMUM HEIGHT) SUPPLIED BY ECOLAB AND INSTALLED BY G.C. THE HIGH FORWARD REACH SHALL BE 48" MAX. WHERE THE REACH DEPTH IS 20" MAX., WHEN THE REACH DEPTH EXCEEDS 20", THE HIGH FORWARD REACH SHALL BE 44" MAX. AND THE REACH DEPTH SHALL BE 25" MAX. NOTE: SOAP AND HAND SANITIZER DISPENSERS TO BE PROVIDED AT EACH KITCHEN HANDSINK.
 - C** MIRROR (BOTTOM OF REFLECTIVE SURFACE AT 40" MAXIMUM HEIGHT) BOBRICK B-165 2436 STAINLESS STEEL CHANNEL FRAME MIRROR WITH THEFT RESISTANT SCREWS BY BOBRICK WASHROOM EQUIPMENT, INC., OR APPROVED EQUIVALENT.
 - D** RECESSED MULTI-ROLL TOILET TISSUE DISPENSER BOBRICK B-3888 SHALL BE INSTALLED 7" MIN AND 9" MAX FROM THE FRONT OF THE WATER CLOSET TO THE CENTER OF THE DISPENSER. THE OUTLET SHALL BE 15" MINIMUM AND 48" MAX ABOVE THE FINISHED FLOOR AND SHALL NOT BE LOCATED BEHIND THE GRAB BARS.
 - E** PAPER WASTE RECEPTACLE (REQUIRED) MODEL B-3644 AS MANUFACTURED BY BOBRICK WASHROOM EQUIPMENT, INC., OR APPROVED EQUIVALENT. (ROUGH OPENING 16"W, 29 1/4"H, 4"D MIN)
 - F** SANITARY NAPKIN DISPOSAL BOBRICK BOBRICK B-353 RECESSED SANITARY NAPKIN DISPOSAL.
 - G** SURFACE MOUNTED DYSON AIRBLADE DB HAND DRYER HAND DRYER TO BE INSTALLED AT A MAXIMUM HEIGHT OF 34" FROM FINISH FLOOR ELEVATION TO TOP OF SENSOR. MINIMUM OF 7 1/2" FROM THE FINISH FLOOR AND 2" CLEARANCE ON EITHER SIDE AND ABOVE MACHINE.
 - H** TOILET SEAT COVER DISPENSER: BOBRICK B-3013 RECESSED SEAT COVER DISPENSER. STAINLESS STEEL.
 - I** COAT HOOK: BOBRICK B-6717 SURFACE-MOUNTED SINGLE ROBE HOOK TO BE MOUNTED ON INSIDE OF EACH RESTROOM DOOR FOR SINGLE OCCUPANCY RESTROOMS AND EACH RESTROOM STALL DOOR FOR MULTIPLE OCCUPANCY RESTROOMS. MOUNT AT 38" - 40" MAX A.F.F. FOR ADA ACCESSIBLE LOCATIONS AND AT 48" MAX A.F.F. FOR NON-ADA ACCESSIBLE LOCATIONS.
 - J** BABY CHANGING STATION: KOALA KARE KB110-SRRE. STAINLESS STEEL RECESS MOUNT HORIZONTAL BABY CHANGING TABLE. OPTIONAL: KOALA KARE KB200-05 POLYPROPYLENE AND A UNIBODY STEEL CHASSIS MOUNT HORIZONTAL BABY CHANGING TABLE
 - K** TOILET STALL PARTITIONS: BOBRICK 1080-1180 DURILINE SERIES #E0-90 COLOR BLACK.

NO.	DATE	BY	NOTES
1	08/01/2018	DB	FOR SUBMITTAL TO BAC
2	08/30/2018	DB	REVISIONS SUBMITTAL TO BAC
3	09/26/2018	ENK	SUBMITTAL TO CITY
4	10/18/2018	ENK	REVISIONS TO CITY
5	10/22/2018	ENK	REVISIONS TO CITY

Drawn By: DB
Checked: SB
Scale: AS NOTED
Date: 08.01.18



TECHNICAL GROUP, INC.
37716 HILLS TECH DRIVE
FARMINGTON HILLS, MI 48334
P: (248) 726-8800 F: (248) 726-7006



PROJECT: BURGER KING #123
1517 S. BELT HWY
ST. JOSEPH, MO 64507

SHEET TITLE: RESTROOM ELEVATIONS & DETAILS

DO NOT SCALE THIS PRINT. USE FIGURED DIMENSIONS ONLY.

JOB #
TG-18531

SHEET
A-4