

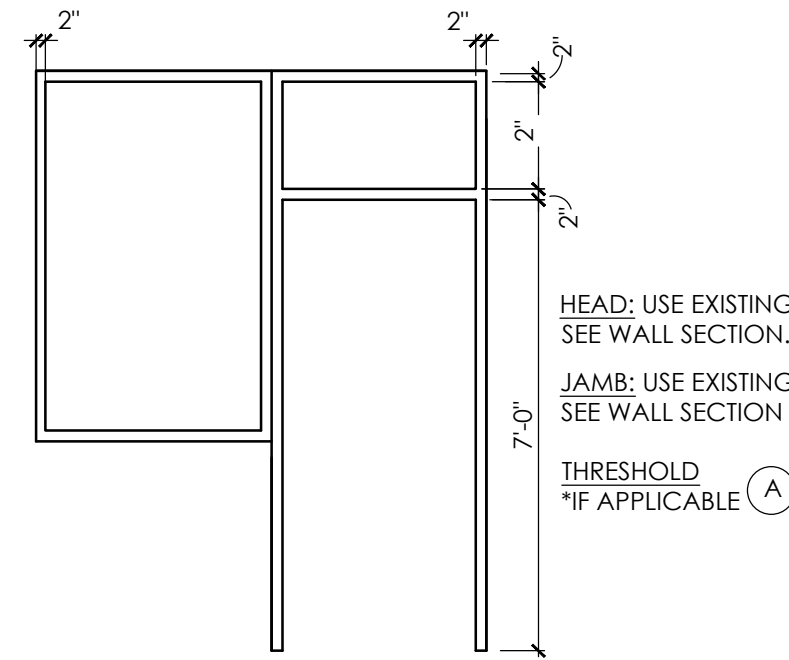
DOOR AND WINDOW SCHEDULE

DOOR
 OPENING: 3'-0"x7'-2"x1 3/4" AD x AF
 MATERIAL: ALUMINUM / GLASS FINISH: FACTORY FINISH - REFER TO SHEET A-2

HARDWARE
 ENTRANCE DOOR HARDWARE SHALL CONSIST OF OFFSET PIVOTS, ADAMS RITE MS 1852S DEAD BOLT LOCK, NORTON 1605 SURFACE CLOSER WITH BACK CHECK, 9" "CLASSIC" STRAIGHT DOOR PULLS IN POLISHED STAINLESS OR CHROME STANDARD THRESHOLDS. LOCKS, CYLINDERS, AND THRESHOLDS SHALL BE OMITTED ON INTERIOR VESTIBULE DOORS. (IF VESTIBULE IS PROVIDED) DUMMY CYLINDERS SHALL BE PROVIDED ON THE EXTERIOR OF ALL DOORS EXCEPT AT MAIN ENTRY.

FRAME
 MATERIAL: MATCH EXIST.
 FINISH: REF DECOR SHEET

GLAZING
 GLAZING FOR EXTERIOR DOORS TO COMPLY WITH IECC 2009 ENERGY CODE 502.4
 ALL GLAZED ENTRANCE DOORS MAXIMUM AIR LEAKAGE RATE SHALL BE 1.00 CFM/FT² OF DOOR AREA WHEN TESTED IN ACCORDANCE WITH ASTM E 283. .45 U- FACTOR REQUIRED.



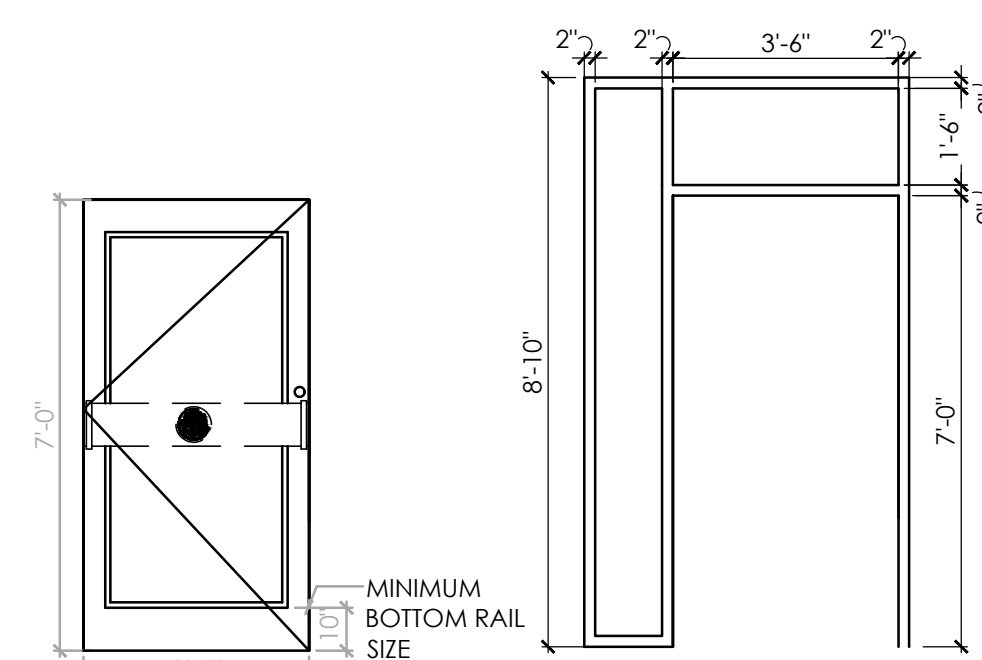
FRONT ENTRY DOOR ①
 NOT TO SCALE

DOOR
 OPENING: 3'-6"x7'-0"x1 3/4" AD x AF
 MATERIAL: ALUMINUM / GLASS
 FINISH: FACTORY FINISH - REFER TO SHEET A-2

HARDWARE
 HINGES, OFFSET PIVOTS
 LOCKSET, ADAMS RITE DEAD BOLT, MS 1852S FLUSH BOLTS, 1 PAIR
 SURFACE CLOSER, NORTON 1605 WITH BACK CHECK 9" "CLASSIC" STRAIGHT DOOR PULLS IN POLISHED STAINLESS OR CHROME, AND STANDARD THRESHOLDS, (STANDARD)

FRAME
 MATERIAL: MATCH EXIST.
 FINISH: REF DECOR SHEET

REMARKS
 DUMMY CYLINDERS SHALL BE PROVIDED ON THE EXTERIOR OF ALL DOORS EXCEPT AT MAIN ENTRY.

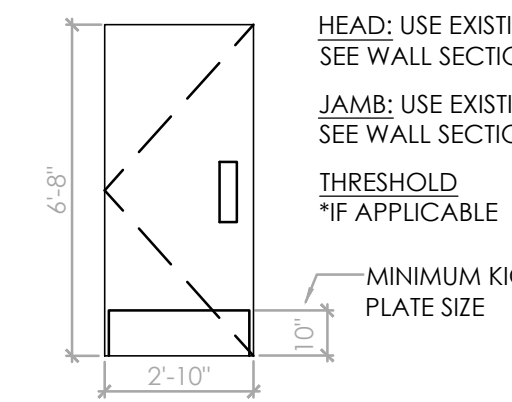


VESTIBULE ENTRY DOOR ②
 NOT TO SCALE

DOOR
 OPENING: 2'-10"x6'-8"x1 3/4"WD x AF
 MATERIAL: SOLID CORE HPL FINISH: REFERENCE DECOR SHEETS.

HARDWARE
 EACH DOOR TO RECEIVE:
 HINGES: 3 EACH HAGER: BB1279 4 1/2 x 4 1/2 x 652
 LOCKSET: ** 1 EACH FALCON: D271 X 626
 CLOSER: 1 EACH LCN 1441 X 689
 PUSH PLATE: 1 EACH HAGER 305 4x16 628
 PULL PLATE: ** 1 EACH HAGER H33E 4x16 628
 FLOOR STOP: 1 EACH HAGER 241F x US26D
 KICKPLATES: 2 EACH HAGER 193S 10"x2" LDW 628 (INSTALL W/FLAT HEAD PHILLIPS HEAD SCREWS)

SILENCERS:
 NOTE: 3 EACH HAGER 307D RBR UNDERCUT DOOR 1" FOR AIR FLOW WHEN HVAC SUPPLY NOT PROVIDED.

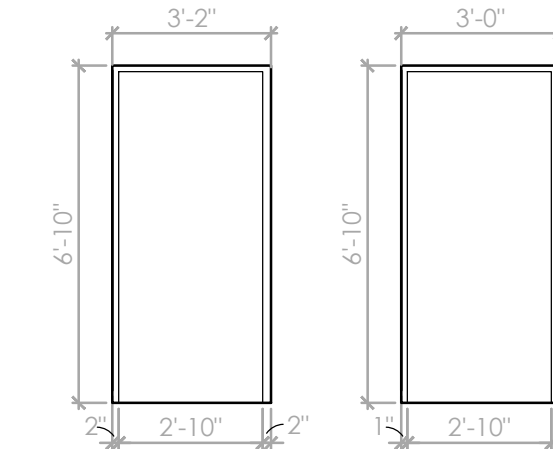


RESTROOM DOOR ③ ④
 NOT TO SCALE

FRAME
 MATERIAL: ALUM.
 FINISH: REFERENCE DECOR SHEETS.

REMARKS
 SIGN PACKAGE: 1 "LADIES", 1 "GENTLEMEN" AND CORRESPONDING SIGNAGE IN GRADE TWO BRAILLE PER ADA REQUIREMENTS. SIGNS FURNISHED BY DECOR SUPPLIER. SIGNS INSTALLED BY GENERAL CONTRACTOR PER ADA REQUIREMENTS.
 *AS AN OPTION IN LIEU OF SOLID CORE DOORS AND HOLLOW METAL FRAMES, PROVIDE MARLITE HPL DOORS WITH ALUMINUM FRAMES (REF. ID SHEETS FOR COLOR)

** DELETE IF MULTIPLE OCCUPANCY RESTROOM **OPTIONAL SANITGRASP #SG-101



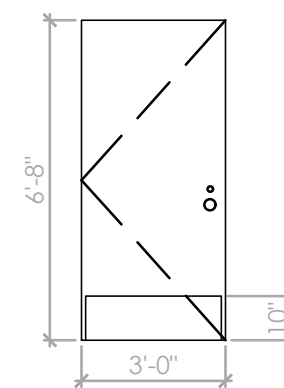
DOOR FRAME
 NOT TO SCALE

DOOR
 OPENING: 3'-0"x6'-8"x1 3/4"WD x AF
 MATERIAL: SOLID CORE HPL FINISH: REFERENCE DECOR SHEETS.

HARDWARE
 DOOR TO RECEIVE:
 HINGES: 3 EACH HAGER: BB1279 4 1/2 x 4 1/2 x 652
 LOCKSET: 1 EACH SCHLAGE, AL53PD SAT x 626
 FLOOR STOP: 1 EACH HAGER 241F x US26D
 KICKPLATES: 2 EACH HAGER 193S 10"x2" LDW 628 (INSTALL W/FLAT HEAD PHILLIPS HEAD SCREWS)
 SILENCERS: 3 EACH HAGER 307D RBR

FRAME
 MATERIAL: EXISTING
 FINISH: REFERENCE DECOR SHEETS.

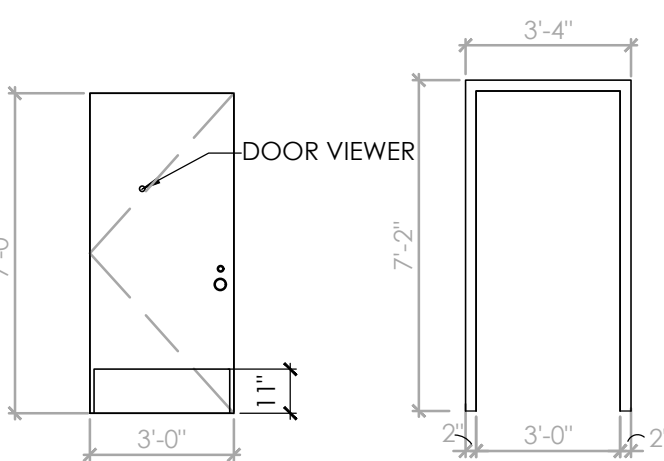
REMARKS
 *AS AN OPTION IN LIEU OF SOLID CORE DOORS AND HOLLOW METAL FRAMES, PROVIDE MARLITE HPL DOORS WITH ALUMINUM FRAMES (REF. ID SHEETS FOR COLOR)



OFFICE DOOR ⑤
 NOT TO SCALE

DOOR
 OPENING: 3'-0"x7'-0"x1 3/4"WD x AF
 MATERIAL: SOLID CORE HPL FINISH: REFERENCE DECOR SHEETS.

HARDWARE
 DOOR TO RECEIVE:
 HINGES: 4 EACH HAGER: BB1168 4 1/2" x 4 1/2" x USP x NRP
 EXIT DEVICE: 1 EACH VON DUPRIN 22EO x 489 (DOOR #3)
 CLOSER: 1 EACH LCN 4116 EDA (DOOR #3) & LCN 4116 EDA (DOOR #4)
 VIEWER: 1 EACH ROCKWOOD 622 x 626
 KICKPLATES: 1 EACH HAGER 193S 10"x2" LDW 628 (INSTALL W/FLAT HEAD PHILLIPS HEAD SCREWS)
 THRESHOLD: 1 EACH NATIONAL GUARD 325 x 48" x AL
 DOOR SWEEP: 1 EACH NATIONAL GUARD 200NA x 48"
 WEATHERSTRIP: 1 SET NATIONAL GUARD 160SA 1@48", 2@84"

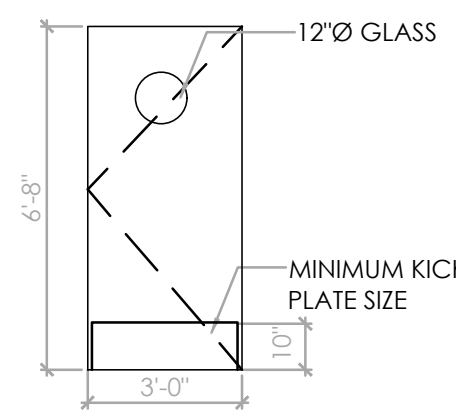


DRIVE-THRU DOOR ⑥
 NOT TO SCALE

FRAME
 MATERIAL: ALUMINUM
 FINISH: REFERENCE DECOR SHEET.

DOOR
 OPENING: 3'-0"x6'-8"x1 3/4"WD x AF
 MATERIAL: SOLID CORE HPL FINISH: REFERENCE DECOR SHEETS.

HARDWARE
 EACH DOOR TO RECEIVE:
 HINGES: 3 EACH HAGER: BB1279 4 1/2 x 4 1/2 x 652
 LOCKSET: 1 EACH SCHLAGE, AL53PD SAT x 626
 CLOSER: 1 EACH LCN 4111 EDA
 FLOOR STOP: 1 EACH HAGER 241F x US26D
 KICKPLATES: 2 EACH HAGER 193S 10"x2" LDW 628 (INSTALL W/FLAT HEAD PHILLIPS HEAD SCREWS)
 SILENCERS: 3 EACH HAGER 307D RBR
 DOOR VIEWER: 1 EACH ROCKWOOD 622 x 626



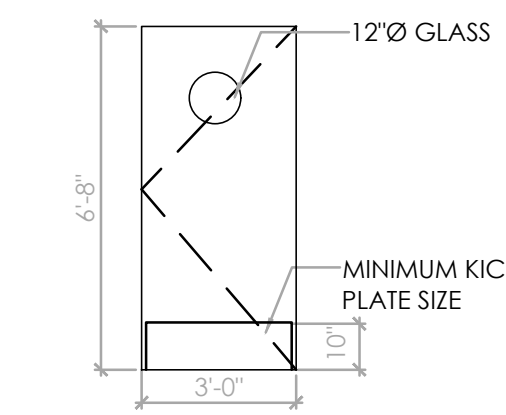
KITCHEN ENTRY DOOR ⑦
 NOT TO SCALE

FRAME
 MATERIAL: EXISTING
 FINISH: REFERENCE DECOR SHEETS.

REMARKS
 SIGN PACKAGE: 1 "KITCHEN" AND CORRESPONDING SIGNAGE IN GRADE TWO BRAILLE PER ADA REQUIREMENTS. SIGNS FURNISHED BY DECOR SUPPLIER. SIGNS INSTALLED BY GENERAL CONTRACTOR PER ADA REQUIREMENTS. AS AN OPTION IN LIEU OF SOLID CORE DOORS AND HOLLOW METAL FRAMES, PROVIDE MARLITE HPL DOORS WITH ALUMINUM FRAMES (REF. ID SHEETS FOR COLOR)

DOOR
 OPENING: 3'-0"x6'-8"x1 3/4"WD x AF
 MATERIAL: SOLID CORE HPL FINISH: REFERENCE DECOR SHEETS.

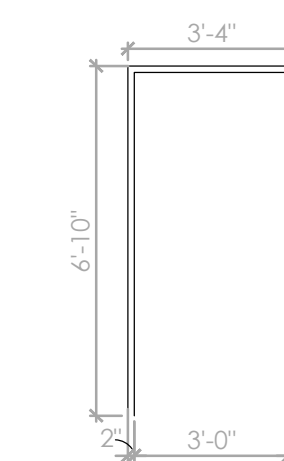
HARDWARE
 EACH DOOR TO RECEIVE:
 HINGES: 3 EACH HAGER: BB1279 4 1/2 x 4 1/2 x 652
 LOCKSET: 1 EACH SCHLAGE, AL53PD SAT x 626
 CLOSER: 1 EACH LCN 4111 EDA
 FLOOR STOP: 1 EACH HAGER 241F x US26D
 KICKPLATES: 2 EACH HAGER 193S 10"x2" LDW 628 (INSTALL W/FLAT HEAD PHILLIPS HEAD SCREWS)
 SILENCERS: 3 EACH HAGER 307D RBR
 DOOR VIEWER: 1 EACH ROCKWOOD 622 x 626



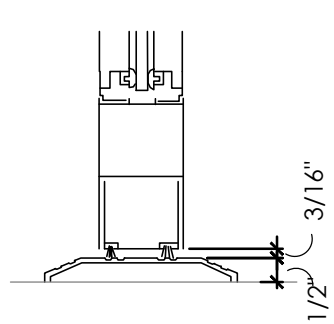
SERVICE AREA ENTRY DOOR ⑧
 NOT TO SCALE

FRAME
 MATERIAL: ALUMINUM
 FINISH: REFERENCE DECOR SHEETS.

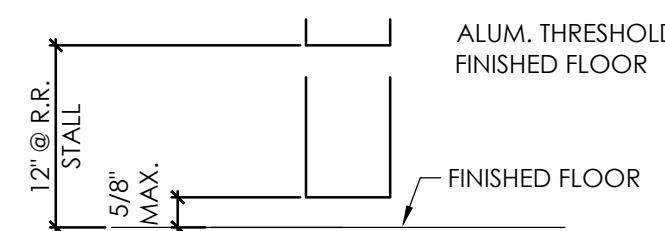
REMARKS
 SIGN PACKAGE: 1 CORRESPONDING SIGNAGE IN GRADE TWO BRAILLE PER ADA REQUIREMENTS. SIGNS FURNISHED BY DECOR SUPPLIER. SIGNS INSTALLED BY GENERAL CONTRACTOR PER ADA REQUIREMENTS. AS AN OPTION IN LIEU OF SOLID CORE DOORS AND HOLLOW METAL FRAMES, PROVIDE MARLITE HPL DOORS WITH ALUMINUM FRAMES (REF. ID SHEETS FOR COLOR)



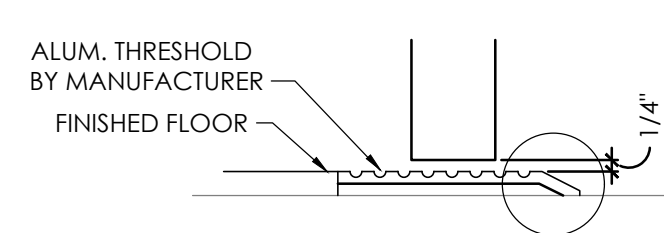
DOOR FRAME
 NOT TO SCALE



A THRESHHOLD
 NOT TO SCALE

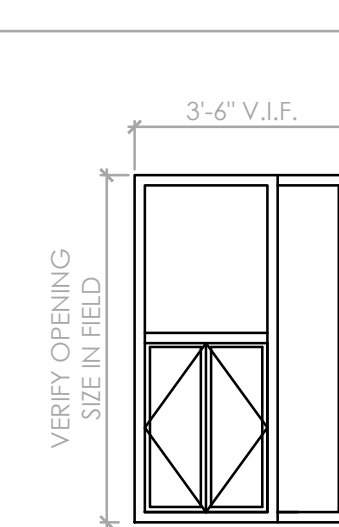
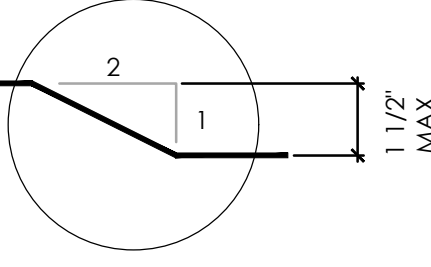


B THRESHHOLD
 NOT TO SCALE



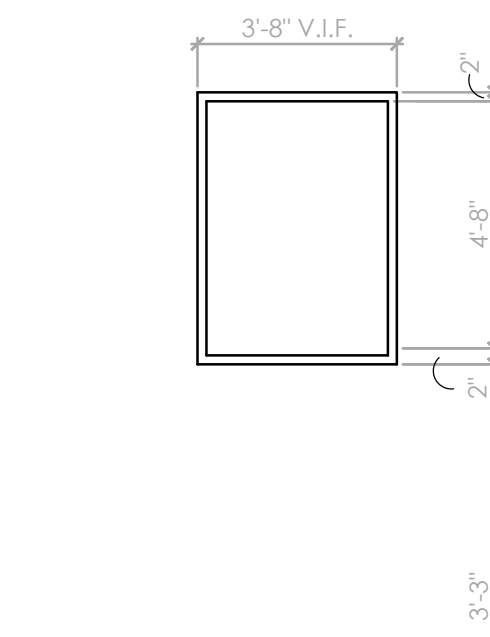
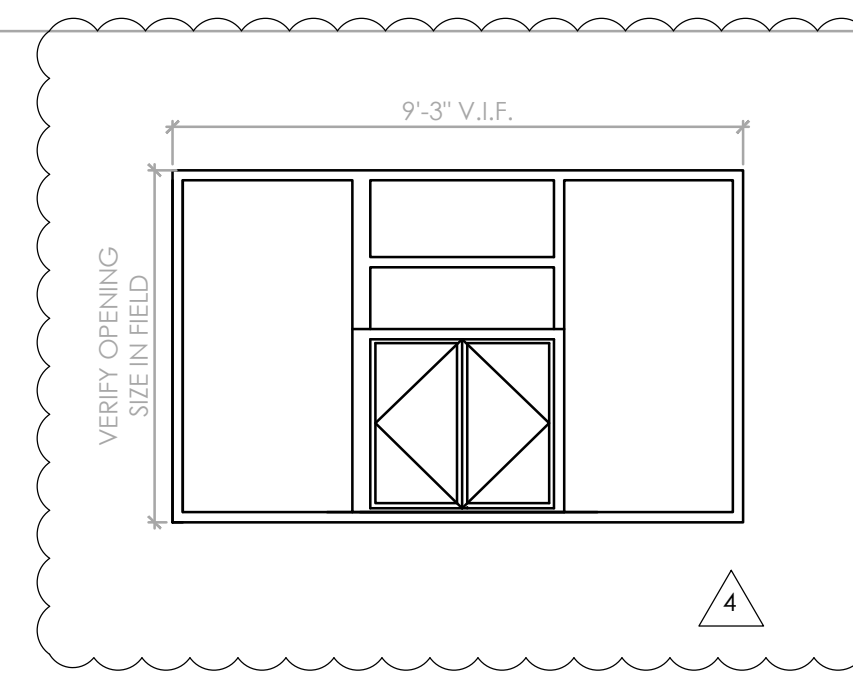
C THRESHHOLD
 NOT TO SCALE

ACCESSIBILITY REQUIREMENTS FOR THRESHOLDS:
 CHANGES IN LEVEL GREATER THAN 1/4" AND NOT MORE THAN 1/2" SHALL BE BEVELED WITH A SLOPE NOT GREATER THAN 1:2



* DEPENDENT ON DRIVE-THROUGH WINDOW SELECTED. VERIFY LATEST DIMENSIONAL INFORMATION WITH THE MANUFACTURER.

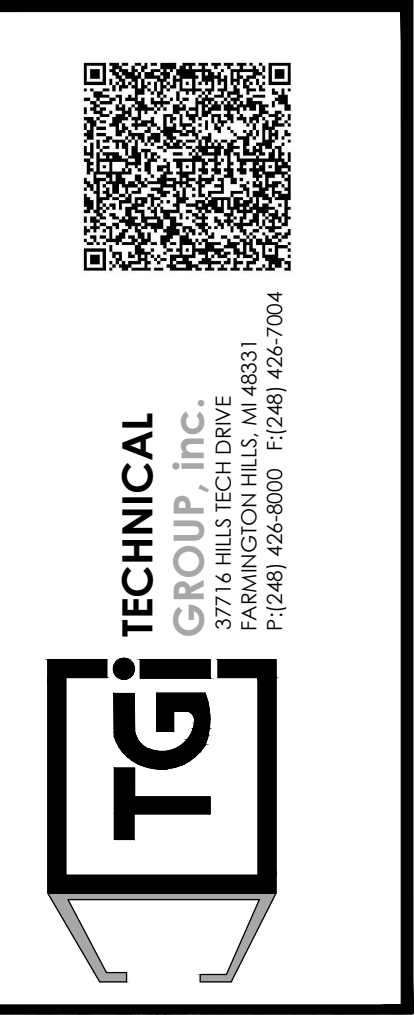
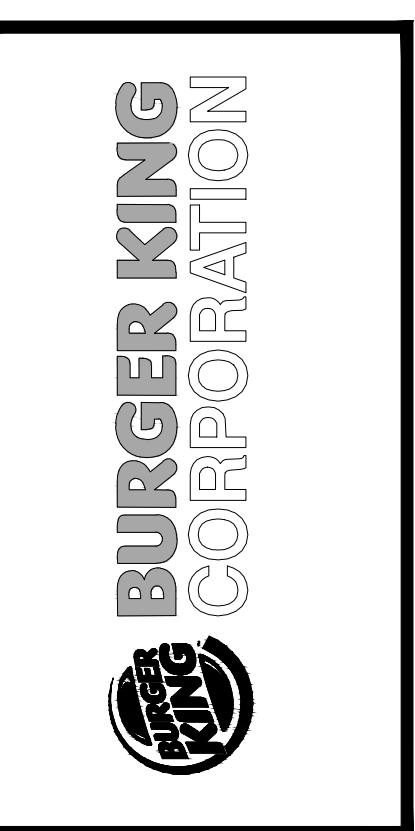
DRIVE-THRU WINDOW
 NOT TO SCALE



FRONT WINDOW
 NOT TO SCALE

NO.	DATE	BY	NOTES
1	08/10/20	DB	FOR SUBMITTAL TO BIC
2	08/30/20	DB	REVISIONS SUBMITTAL TO BIC
3	09/08/20	DB	SUBMITTAL TO CITY
4	10/28/20	EMK	REVISIONS TO CITY
5	11/02/20	EMK	REVISIONS TO CITY

Drawn By: DB
 Checked: SB
 Scale: AS NOTED
 Date: 08.01.18



PROJECT BURGER KING #123 1517 S. BELT HWY ST. JOSEPH, MO 64507	SHEET TITLE DOOR/WINDOW SCHEDULE & DETAILS
DO NOT SCALE THIS PRINT. USE FIGURED DIMENSIONS ONLY.	
JOB # TG-18531	
SHEET A-1.1	