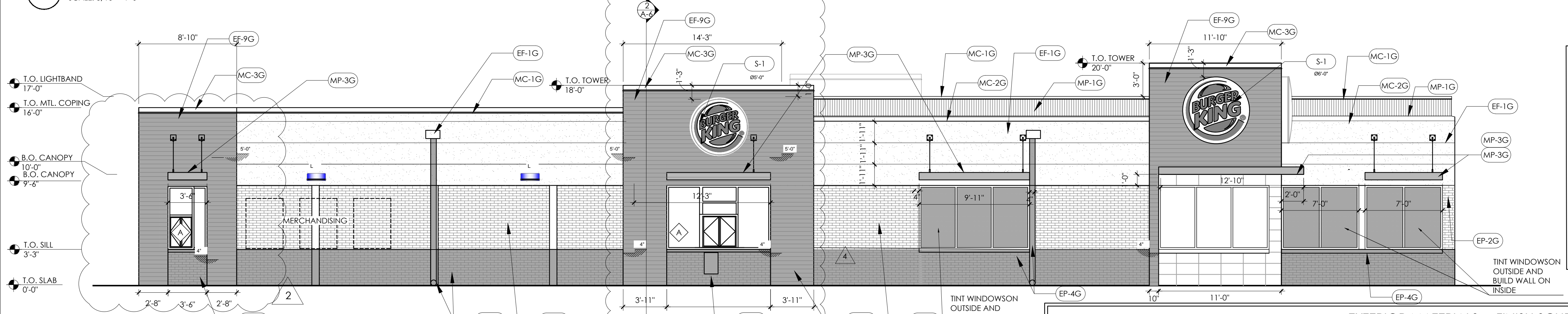
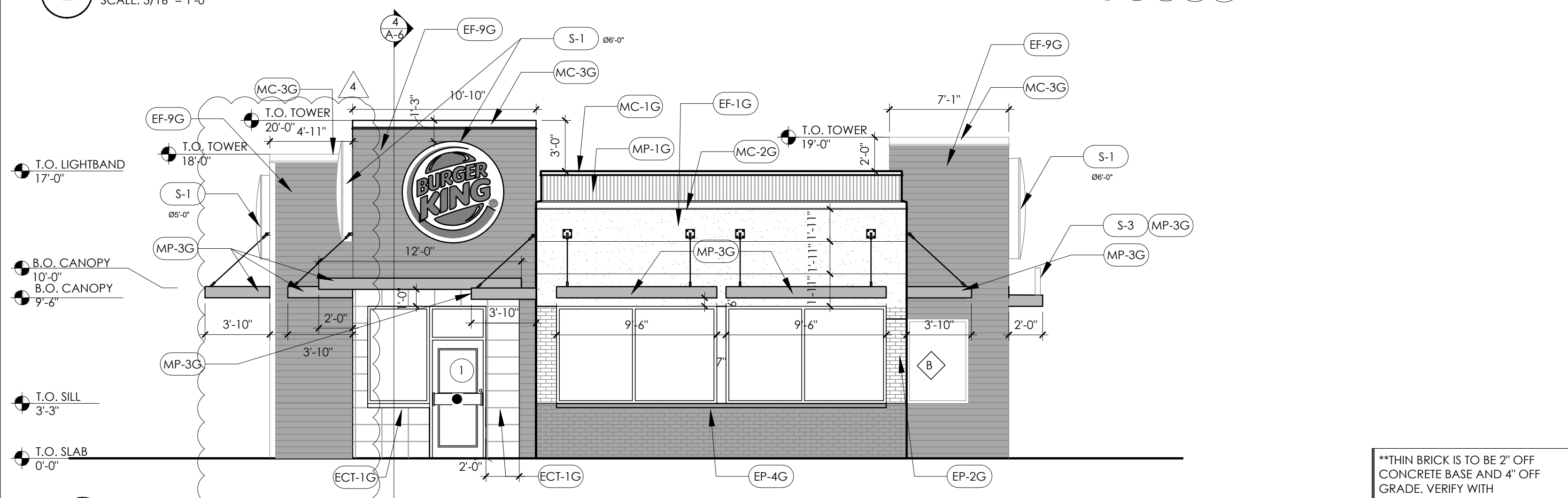


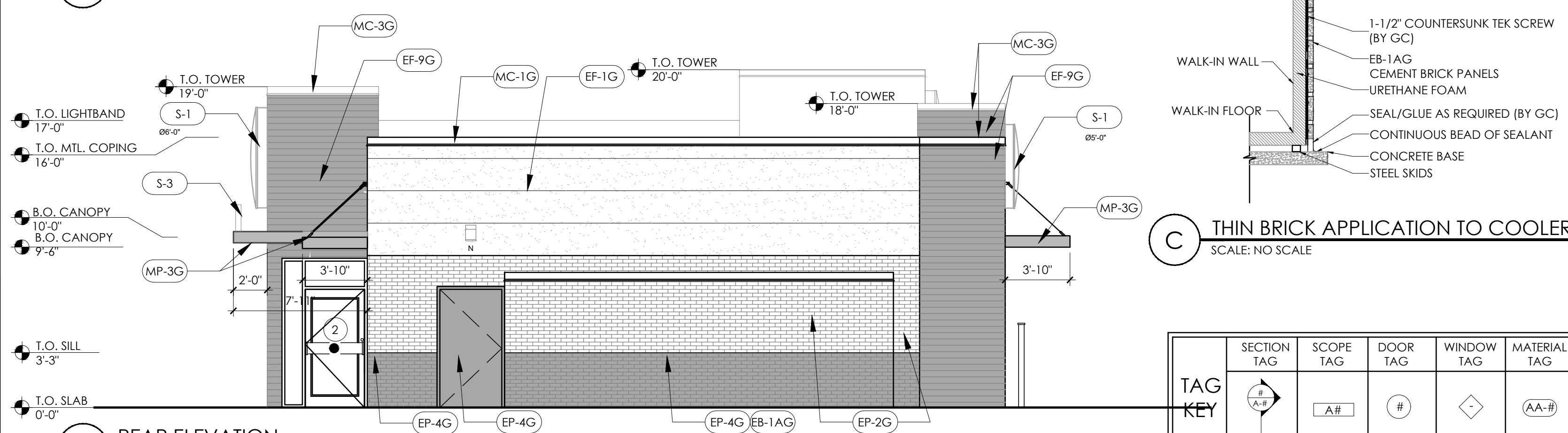
1 MAIN ENTRY ELEVATION
SCALE: 3/16" = 1'-0"



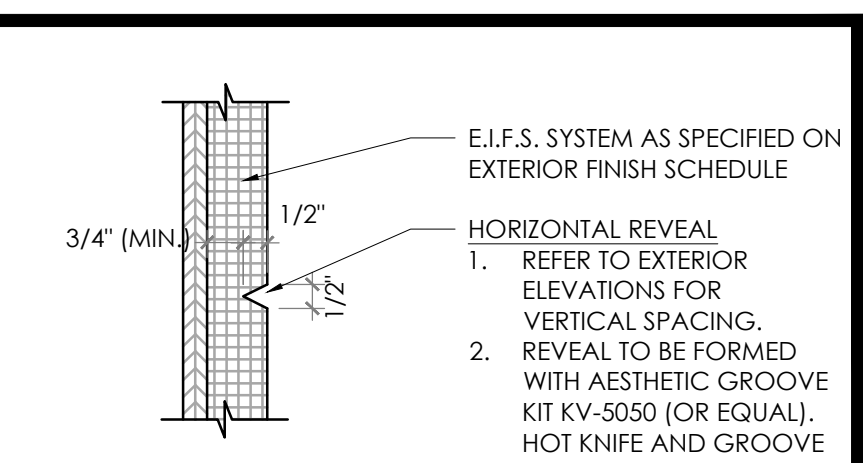
2 DRIVE THRU ELEVATION
SCALE: 3/16" = 1'-0"



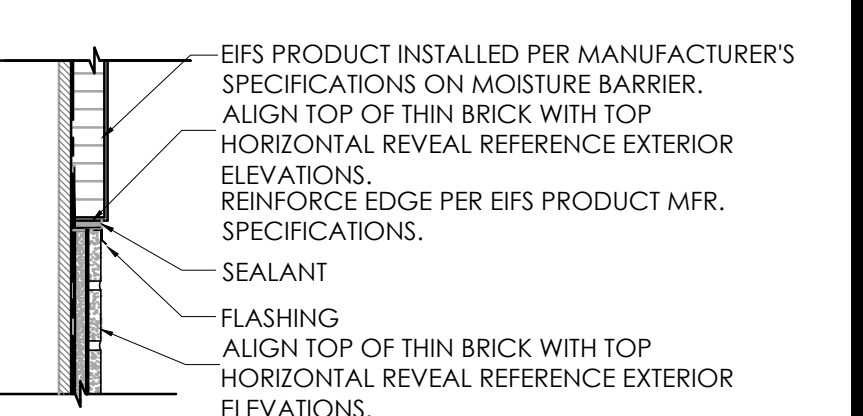
3 FRONT ELEVATION
SCALE: 3/16" = 1'-0"



4 REAR ELEVATION
SCALE: 3/16" = 1'-0"



A EFIS HORIZ. REVEALS
SCALE: NO SCALE



B THIN BRICK/EFIS TRANSITIONS
SCALE: NO SCALE

GENERAL NOTES

MERCHANDISING AND GRAPHICS NOTE:
WALL FINISHES PER SCHEDULE ARE REQUIRED ON WALL BEHIND GRAPHICS AND MERCHANDISING.

FINISH NOTES:
ALL FINISHES AS PER GARDEN GRILL SCHEDULE.

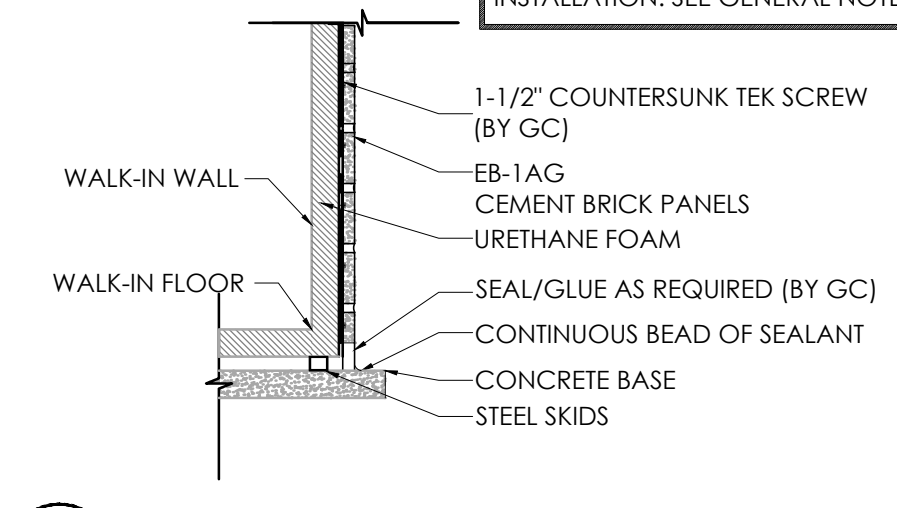
FOR CLARIFICATION:
*LIGHT BAND IS A SCREENED UNIT. ONLY THE LIGHT WASH IS SEEN AS PART OF THE BANDING UNIT.

* NICHHA PANEL THAT IS TO BE INSTALLED IS TO BE INSTALLED AS PER MANUFACTURERS SPECIFICATIONS.

FOR NICHHA BOARD INSTALLATION DETAILS AND INFORMATION REFER TO THE WEB SITES LISTED BELOW FOR MORE INFORMATION:
<http://www.nichha.com/resources/cad>

EXTERIOR MATERIALS & FINISH SCHEDULE					
TAG	MATERIAL	LOCATION	MANUFACTURER	PRODUCT	COLOR
EB-1G	EXTERIOR BRICK	GENERAL	EVOLUTION BRICK	MOD/OS TUMBLED (FULL BRICK)	OLDE HILLSBORO
				(THIN BRICK)	SIERRA TUMBLED
				PINE HALL BRICK	OLD IRVINGTON O/S
				H.C. MUDDOX BRICK	BK WEST COAST BLEND
EB-1AG (ALTERNATE FOR EB-1G)	EXTERIOR FINISH FIBER CEMENT BRICK PANELS	GENERAL	NICHHA FIBER CEMENT	NICHHA CANYON BRICK PANELS	"SHALE BROWN" - STAGGERED JOINTS UNPAINTED IF NO OTHER BRICK IS PRESENT. (ON REMODELS, IF THERE IS ANY EXISTING BRICK ON THE BUILDING, THE EXISTING BRICK AND THE NICHHA BRICK MUST BE PAINTED TO MATCH EP-4G)
EF-1G	EXTERIOR FINISH-STUCCO, STO, FIBER CEMENT SIDING PANELS	GENERAL	STO OR APPROVED EQUAL	STO POWERWALL STUCCO SYSTEM TEXTURE: FINE SAND OR STO THERM CI EFIS SYSTEM	COLOR TO MATCH EP-2G "TANNERS TAUPE"
			NICHHA FIBER CEMENT	NICHHA TUFFBLOCK	PREPAINTED TO MATCH EP-2G PPG "TANNERS TAUPE" STACKED BOND PATTERN
EP-4G	EXTERIOR FINISH STUCCO	GENERAL	STO OR APPROVED EQUAL	STO POWERWALL STUCCO SYSTEM	COLOR TO MATCH EP-4G PPG "MONTEREY CLIFFS"
EP-8G (ALTERNATE FOR EP-9G)	EXTERIOR FINISH STONE	EXTERIOR SIGN ARCHONS	BORAL STONEPRODUCTS	COUNTRY LEDGESTONE	"ASPEN"
EF-9G	EXTERIOR FINISH FIBER CEMENT	EXTERIOR SIGN ARCHONS	NICHHA FIBER CEMENT	NICHHA BOARD : VINTAGE WOOD EF762	"CEDAR"
TR-1G	ALUMINUM TRIMS				
EP-2G	EXTERIOR PAINT	EXTERIOR GENERAL		PRIMER: 17-921 PAINT: 6-2045XI	"TANNERS TAUPE" CUSTOM FORMULA
EP-4G	EXTERIOR PAINT	EXTERIOR WAINSCOT		PRIMER: 17-921 PAINT: 6-2045XI	"MONTEREY CLIFFS" 10Y1 14/080
EP-4G	EXTERIOR PAINT	LOGO SIGN CABINETS & BURGER KING CHANNEL LETTER CABINETS		PRIMER: 6-212 PAINT: 6-230	"BURGER KING SILVER" CUSTOM FORMULA
EP-4AG	EXTERIOR PAINT	EXISTING MANSARD ROOFS, SHINGLES & BARREL TILE		PRIMER: 17-921 PAINT: 90-1110	"GRIMMYS GREY" 00NN 20/000
EP-6B	EXTERIOR PAINT	EXISTING STANDING SEAM METAL ROOF		PRIMER: 90-712 PAINT: 90-1110	"MARCH WIND" CUSTOM FORMULA
EP-8B	EXTERIOR PAINT	METAL COPING AT ARCHON TOWERS		PRIMER: 17-921 PAINT: 6-2045XI	"CEDAR" CUSTOM FORMULA
EXT-G	EXTERIOR PAINT	POLES & SIGNS		PRIMER: 90-712 PAINT: 90-353	"BLACK"
EP-2G	EXTERIOR PAINT	EXTERIOR GENERAL		PRIMER: LOXON CONCRETE & MASONRY A24W300	"TAUPE TONE" SW 7633 SATIN
EP-4G	EXTERIOR PAINT	EXTERIOR WAINSCOT		PAINT: SUPERPAINT EXT SATIN A89 SERIES	"HOMESTEAD BROWN" SW 7515 SATIN
EP-6G	EXTERIOR PAINT	LOGO SIGN CABINETS & BURGER KING CHANNEL LETTER CABINETS		PRIMER: KEM BOND HS B50A28	FACTORY FINISH SILVER
EP-6AG	EXTERIOR PAINT	EXISTING MANSARD ROOFS, SHINGLES & BARREL TILE		PAINT: SILVER BRITE 859S11	
EP-6B	EXTERIOR PAINT	EXISTING STANDING SEAM METAL ROOF		PRIMER: PRO INDUSTRIAL PRO-CRYL PRIMER B66-310	"WESTCHESTER GRAY" SW 2849 EGGSHELL
EP-8B	EXTERIOR PAINT	EXISTING STANDING SEAM METAL ROOF		PAINT: PRO INDUSTRIAL HIGH PERFORM. ACRYLIC B66-660	"MARCH WIND" CUSTOM FORMULA EGGSHELL "CEDAR" CUSTOM FORMULA SEMI-GLOSS
EXT-G	EXTERIOR PAINT	POLES & SIGNS			"TRICORN BLACK" SW 6258 GLOSS
ECT-1G	EXTERIOR CERAMIC TILE	ACCENT AT BUILDING FRONT	GRANITI GIANDRE / EUROWEST	SENSIBLE STONE EDS052	"RED NATURAL" STACKED BOND PATTERN
MC-1G	METAL COPING	TOP OF LIGHT BAND WALL CAP			A-30 "SILVERSMITH"
MC-2G	METAL COPING	BELOW LIGHT BAND	W.P. HICKMAN SYSTEMS, INC.	PERMA SNAP PLUS	FACTORY FINISH TO MATCH EP-2G PPG "TANNERS TAUPE"
MC-3G	METAL COPING	TOP OF ARCHON		PERMA SNAP PLUS	TO BE PAINTED TO MATCH EP-8G "CEDAR"
MP-1G	METAL CANOPY	PARAPET LIGHT BAND	LEKTRON	LED LIGHT BAND	
MP-3G	METAL CANOPY	ABOVE DOORS/WINDOWS	*SEE APPROVED SIGN SUPPLIES *SEE APPROVED CANOPY SUPPLIERS	CUSTOM METAL CANOPY	COLOR: CLEAR ANODIZED
MP-4G	METAL AWNING/SMM ROOFING	ABOVE WINDOWS/MANSARD ROOFING	FIRESTONE METAL PRODUCTS	STANDING SEAM METAL ROOF UC-4 PROFILE	SILVER METALLIC SR
			BERRIDGE ROOFING METAL PRODUCTS	STANDING SEAM METAL ROOF CEE-LOCK	PREMIUM METALLIC - ZINC COTE
EGR-3G	GROUT	BRICK	CUSTOM BUILDING PRODUCTS	POLYBLEND SANDED	#5 "CHAMOIS"
EGR-4G	GROUT	CERAMIC TILE		POLYBLEND SANDED	#335 "WINTER GRAY"
EGR-9G	GROUT	INLINE RESTAURANT ONLY CERAMIC TILE	LATICRETE	POLYBLEND SANDED	#66 "CHESTNUT BROWN"
S-1	LOGO SIGN (AS NOTED)	AT TOWER	CUSTOM		
S-2	FLAME GRILLING SINCE 1954 OR HOME OF THE WHOPPER	AT TOWER	CUSTOM		

**THIN BRICK IS TO BE 2" OFF CONCRETE BASE AND 4" OFF GRADE. VERIFY WITH MANUFACTURERS SPECS FOR INSTALLATION. SEE GENERAL NOTES.

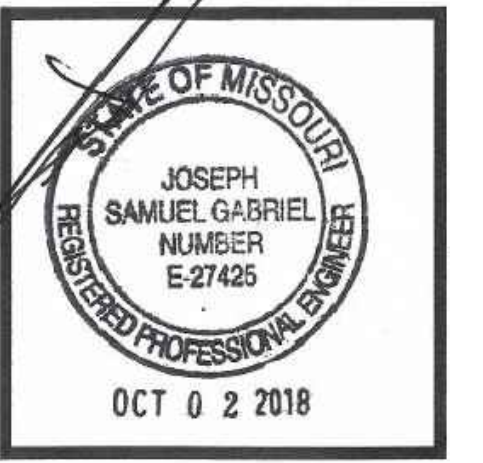
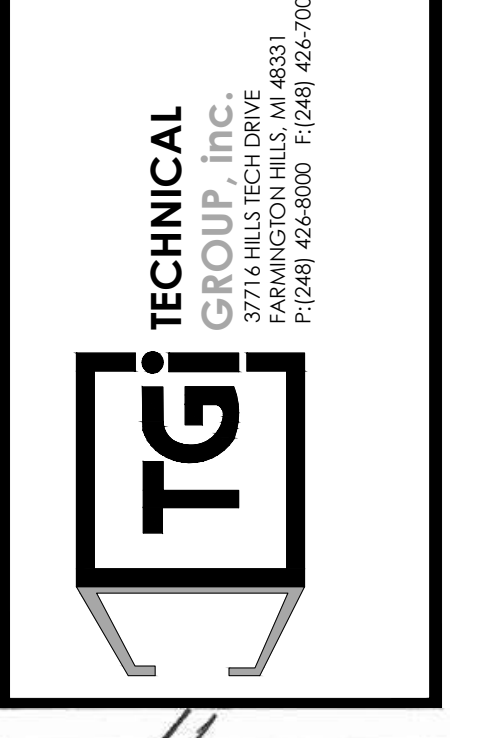


C THIN BRICK APPLICATION TO COOLER
SCALE: NO SCALE

TAG KEY	SECTION TAG	SCOPE TAG	DOOR TAG	WINDOW TAG	MATERIAL TAG
	A-#	A#	#	◇	(AA-#)
			SEE SHEET A-1.1	SEE SHEET A-1.1	SEE SHEET A-2

NO.	DATE	BY	NOTES
1	08.10.20	DB	FOR SUBMITTAL TO BIC
2	08.30.20	DB	REVISIONS SUBMITTAL TO BIC
3	09.18.20	EMK	REVISIONS TO CITY
4	10.08.20	EMK	REVISIONS TO CITY
5	11.05.20	EMK	REVISIONS TO CITY

Drawn By: DB
Checked: SB
Scale: AS NOTED
Date: 08.01.18



PROJECT	BURGER KING #173 1517 S. BELT HWY ST. JOSEPH, MO 64507	SHEET TITLE	PROPOSED EXTERIOR ELEVATIONS
JOB #	TG-18531		
SHEET	A-2		