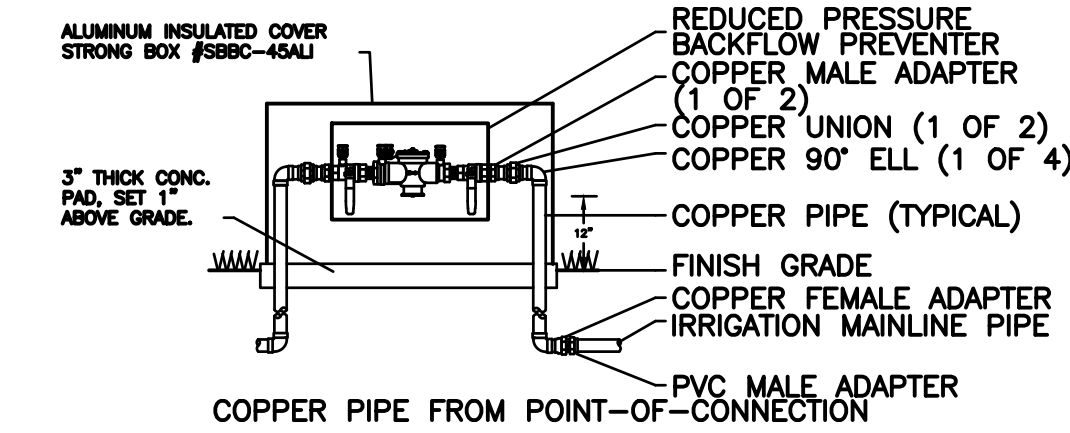
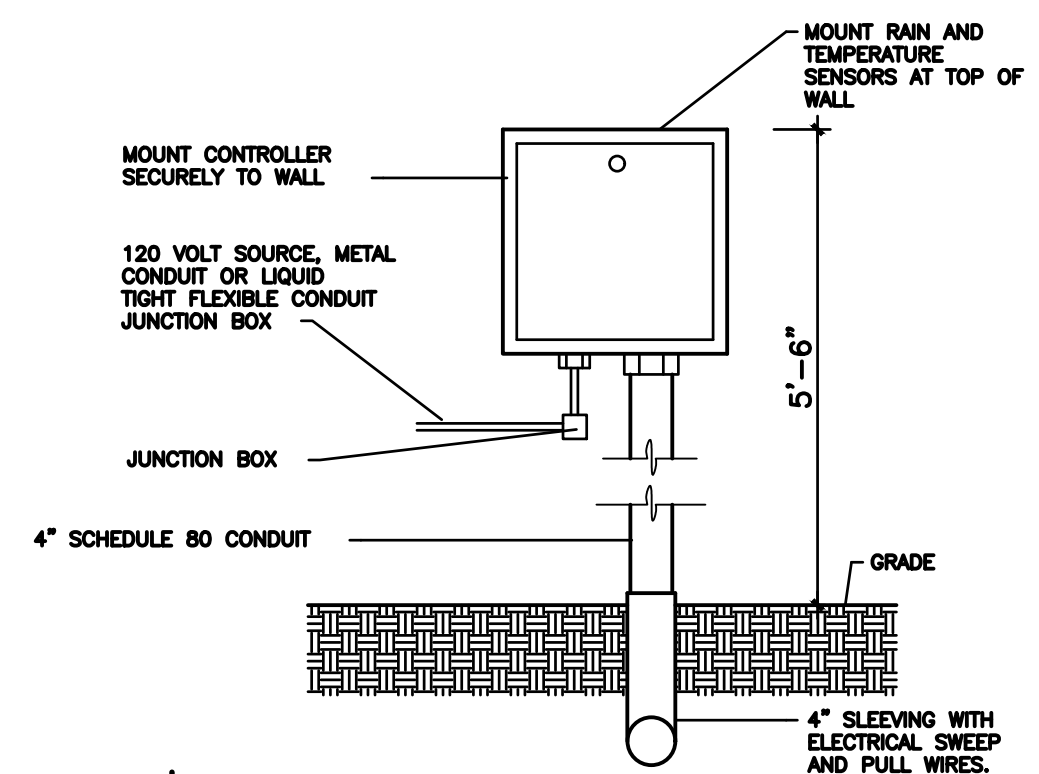


TRENCH DEPTH - SECTION
1/2" = 1'-0"

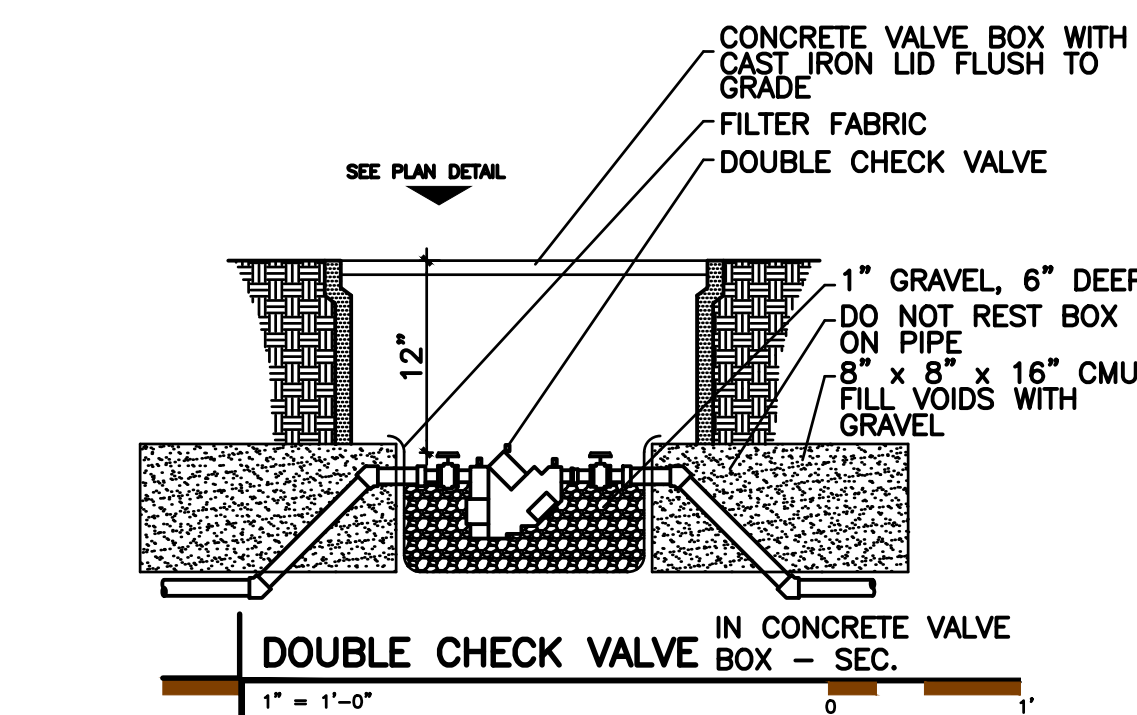


NOTE:
INSTALL BACKFLOW PREVENTER AS REQUIRED BY LOCAL CODES AND HEALTH DEPARTMENT. VERIFY LOCAL REQUIREMENTS PRIOR TO INSTALLATION.

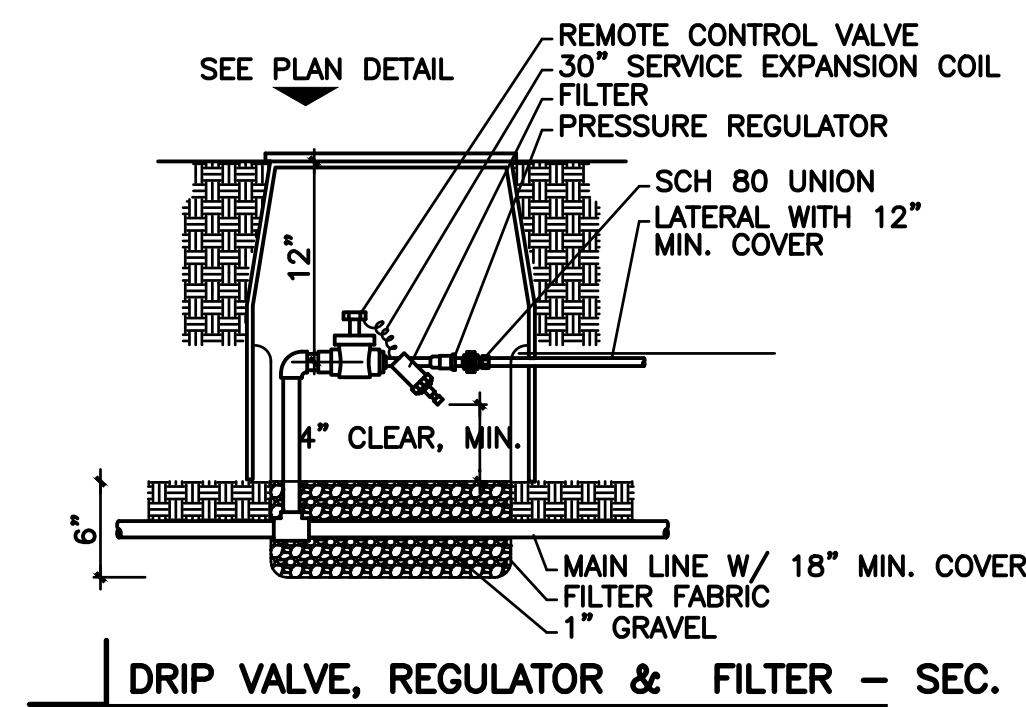
BACKFLOW PREVENTER
1/2" = 1'-0"



WALL MOUNTED CONTROLLER - ELEVATION
3/4" = 1'-0"

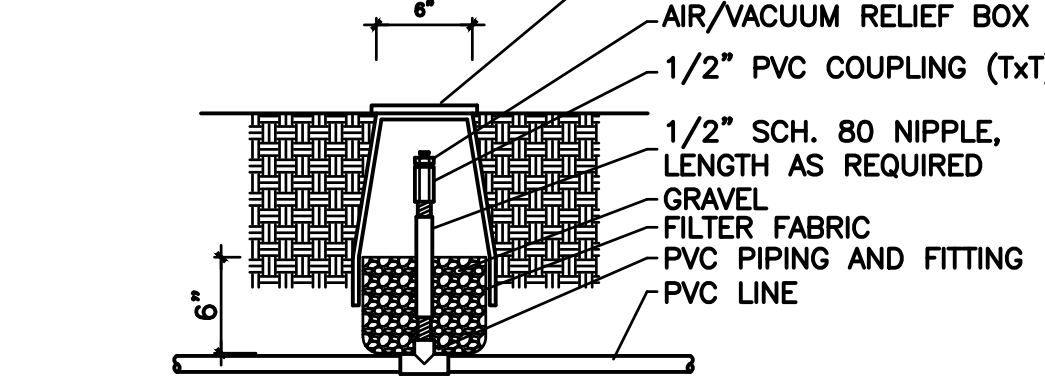


DOUBLE CHECK VALVE IN CONCRETE VALVE BOX - SEC.
1" = 1'-0"

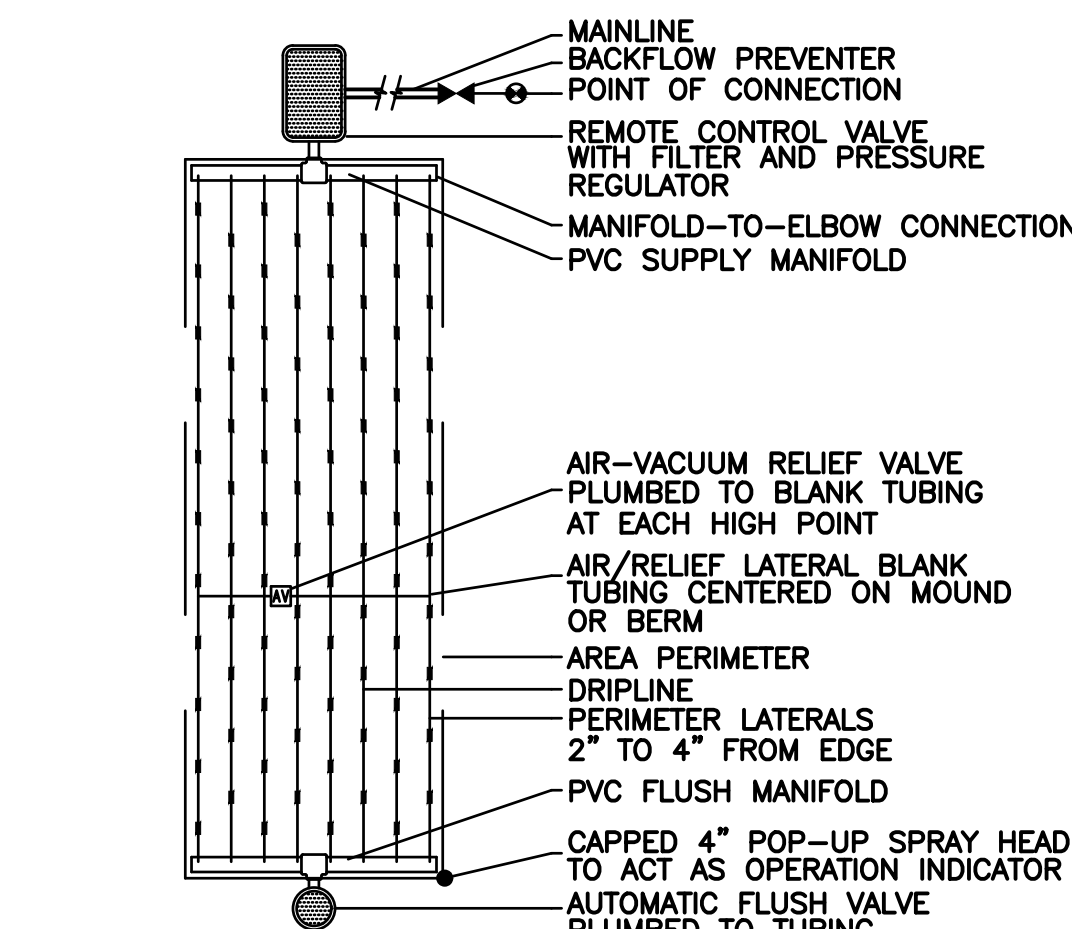


NOTES:

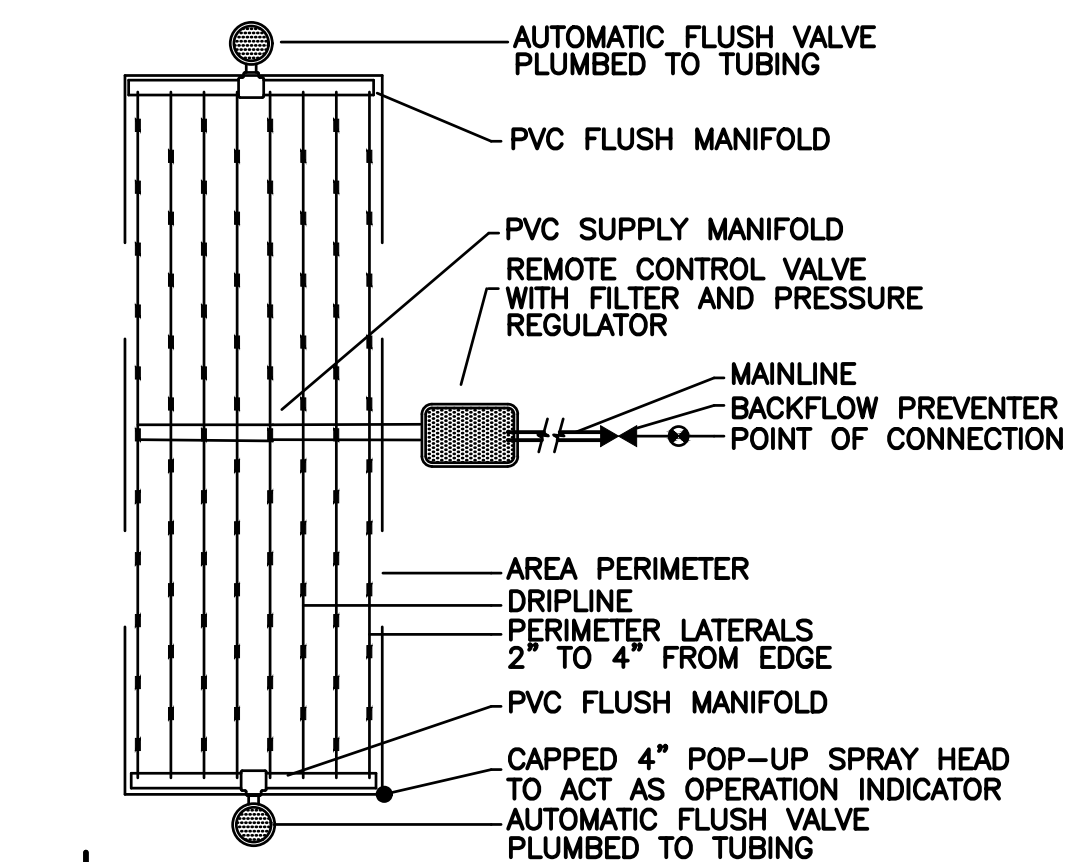
- AIR/VACUUM RELIEF VALVE CANNOT BE CONNECTED LOWER THAN DRIFLINE LATERALS.
- USE FOR ZONES OF 7 GPM OF LESS ONLY (PLUMBED TO PVC).



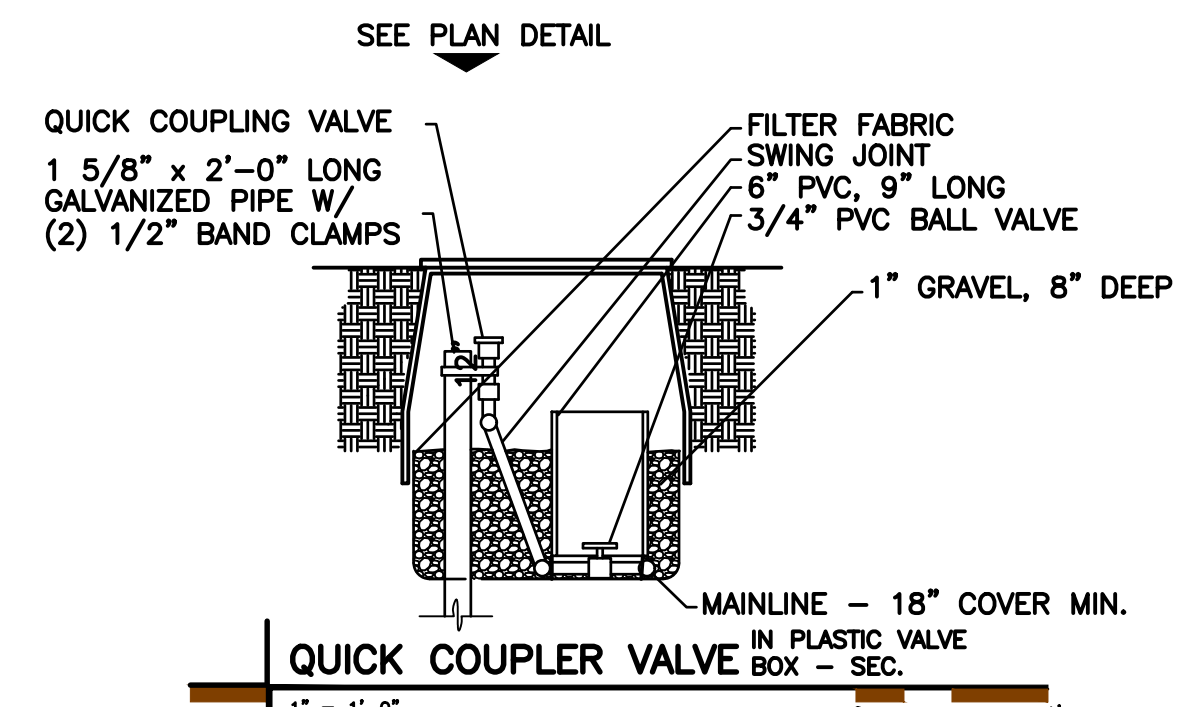
DRIP - RELIEF VALVE - SECTION
1" = 1'-0"



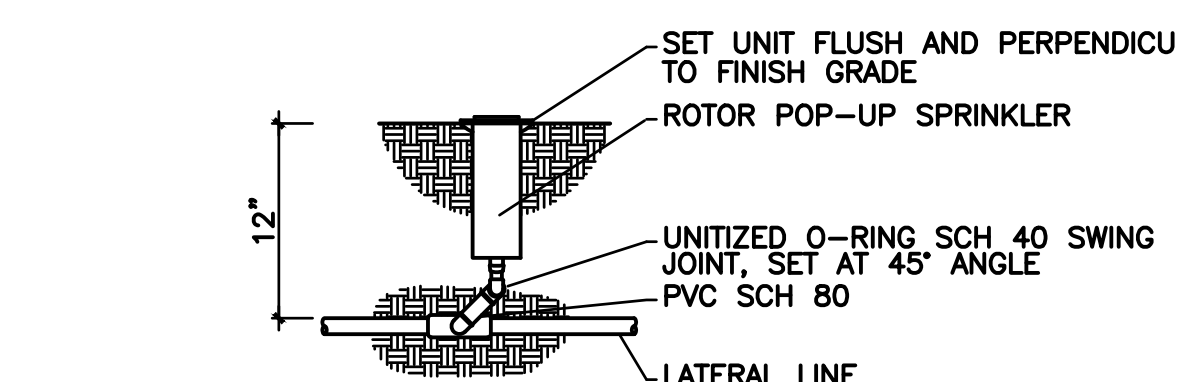
DRIP END FEED LAYOUT
NTS



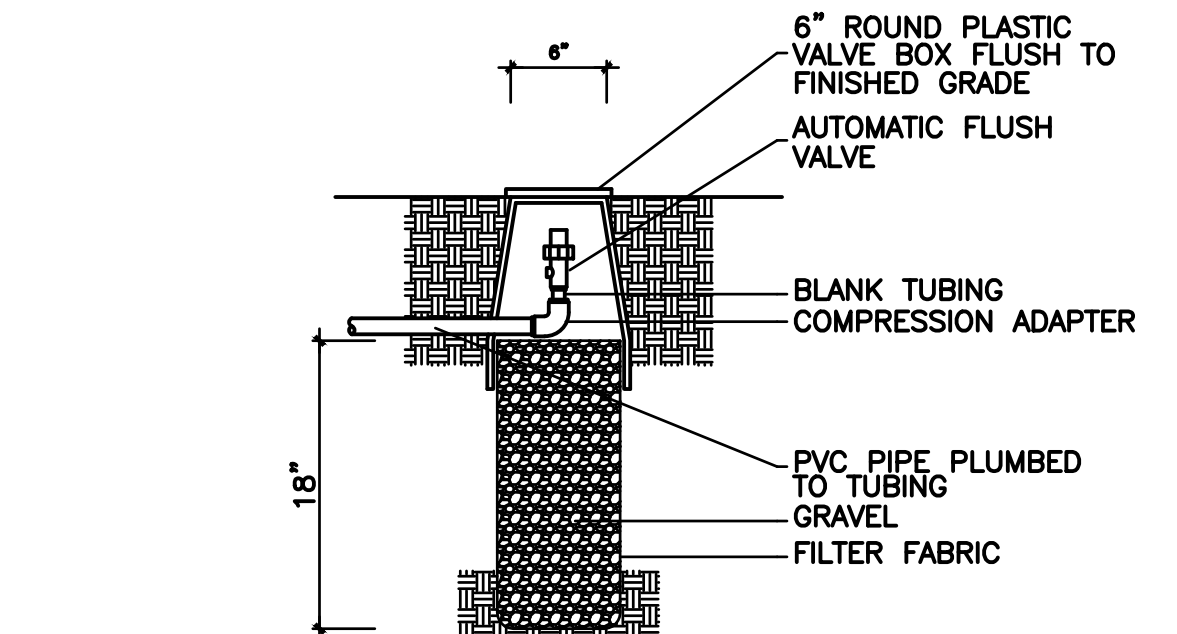
DRIP CENTER FEED LAYOUT
NTS



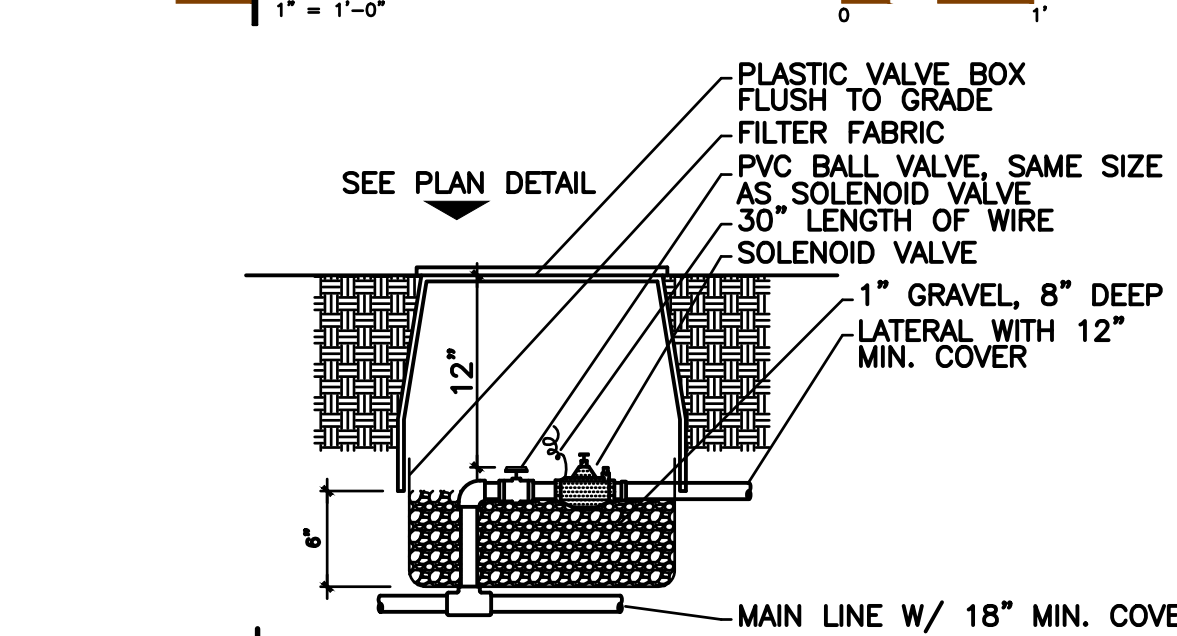
QUICK COUPLER VALVE IN PLASTIC VALVE BOX - SEC.
1" = 1'-0"



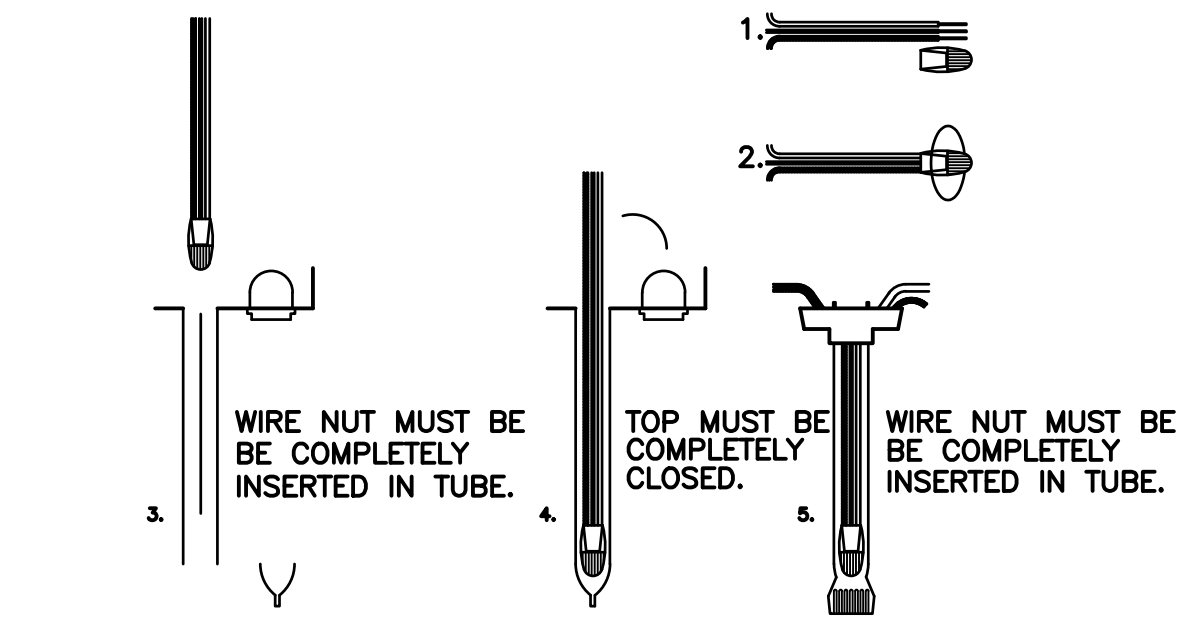
ROTARY HEAD
1" = 1'-0"



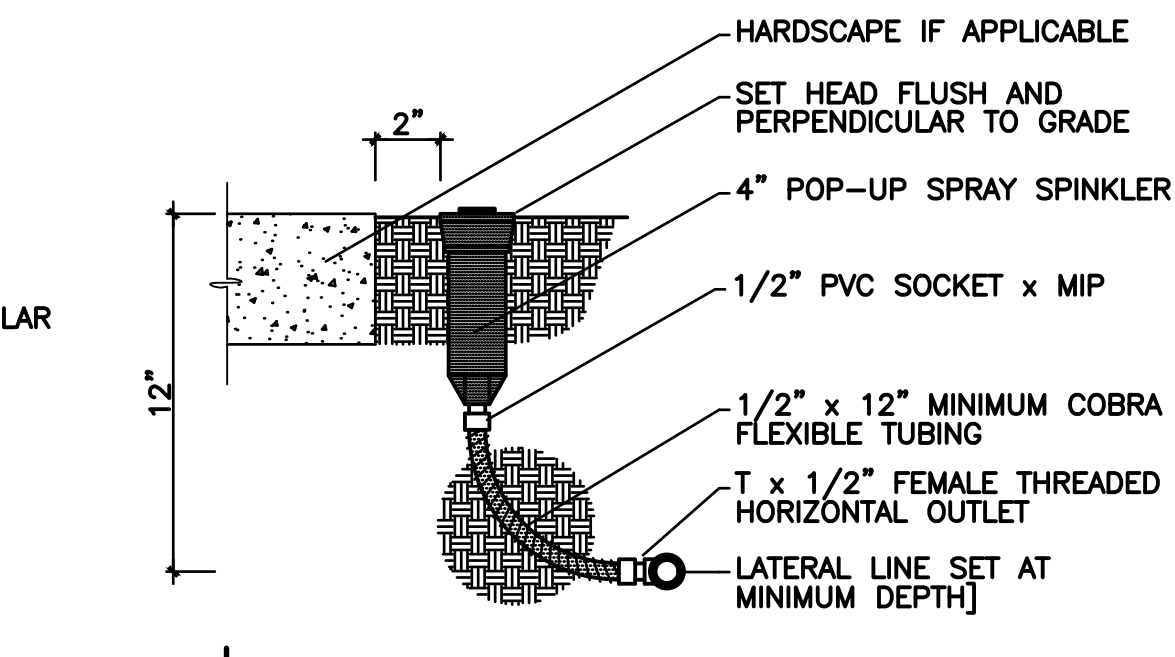
DRIP - FLUSH VALVE - PVC - SECTION
1" = 1'-0"



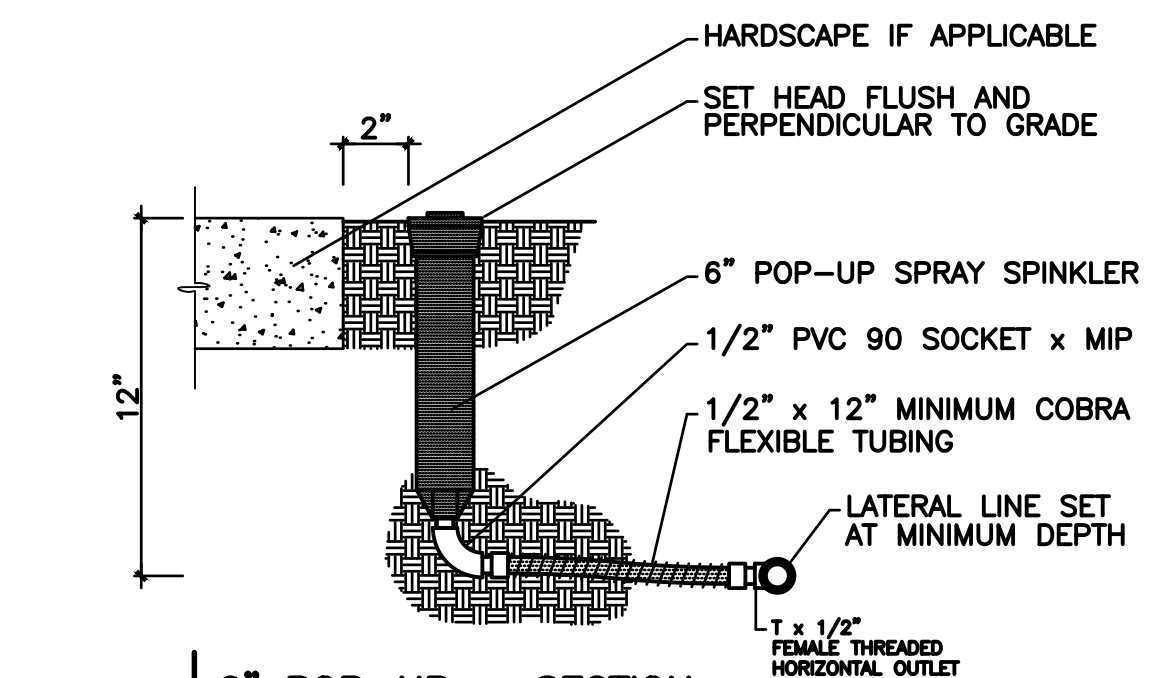
SOLENOID VALVE IN PLASTIC VALVE BOX - SECTION
1" = 1'-0"



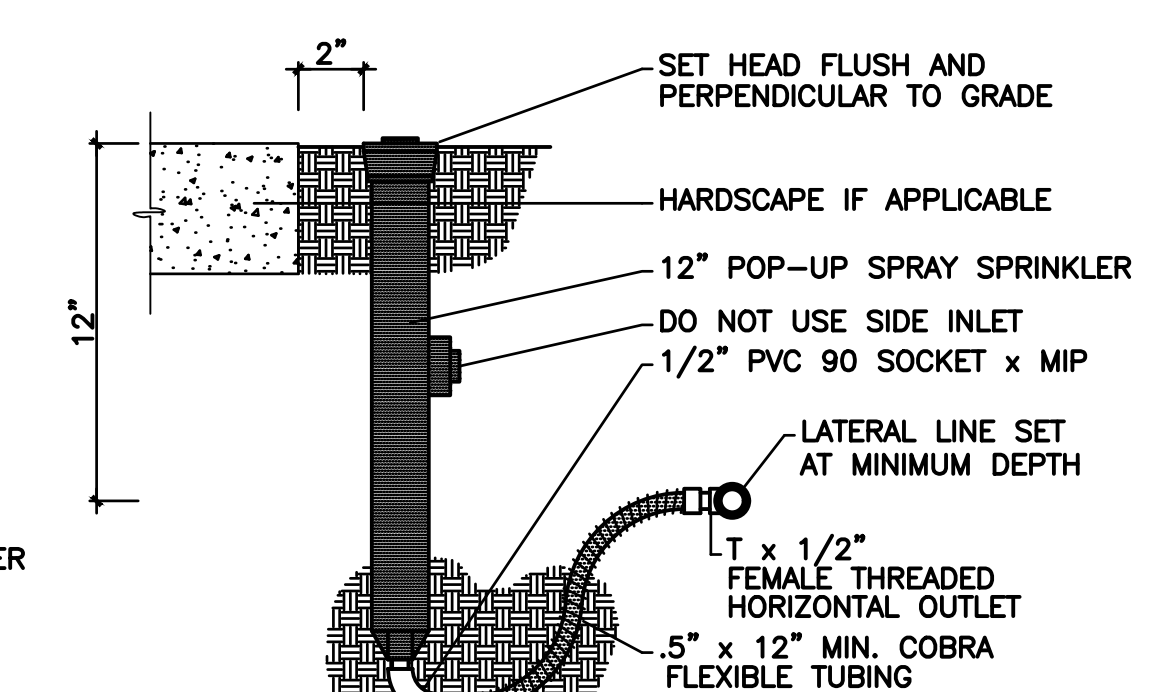
24 VOLT WIRE CONNECTIONS
NTS



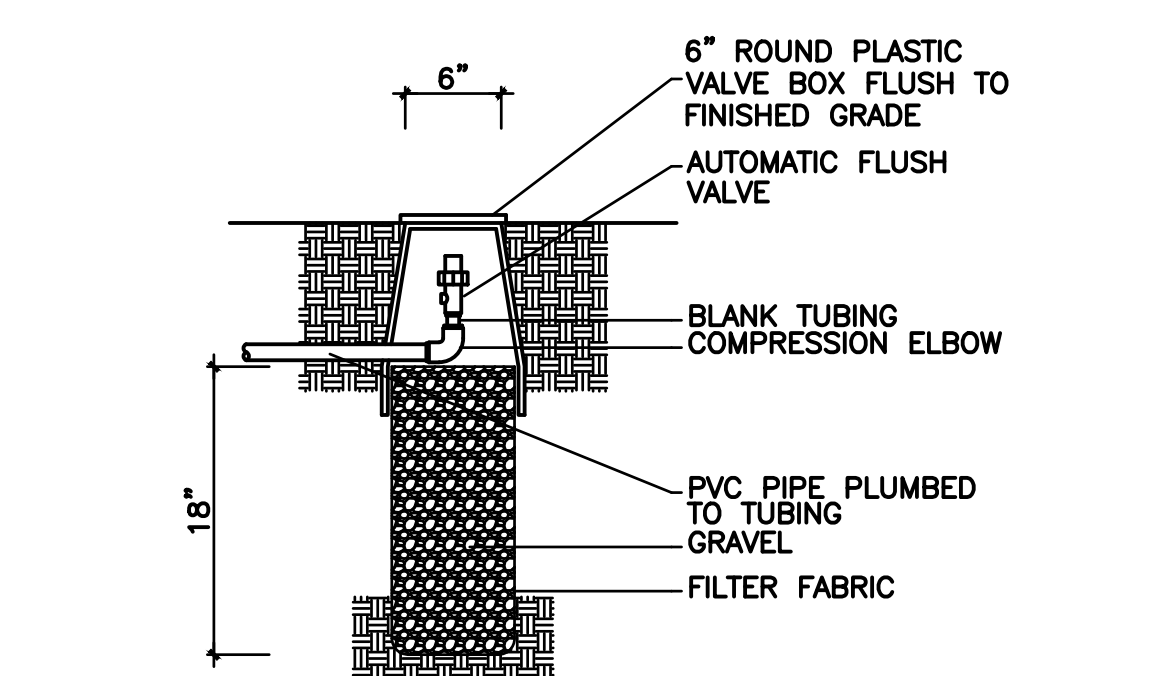
4" POP-UP - SECTION
1" = 1'-0"



6" POP-UP - SECTION
1" = 1'-0"



12" POP-UP - SECTION
1" = 1'-0"



DRIP - FLUSH VALVE - TUBING - SECTION
1" = 1'-0"

NOTE
GPD GROUP IS NOT RESPONSIBLE FOR IRRIGATION DESIGN, NOTE OR DETAILS. PLEASE CONTACT WC3 DESIGN FOR ANY QUESTIONS.