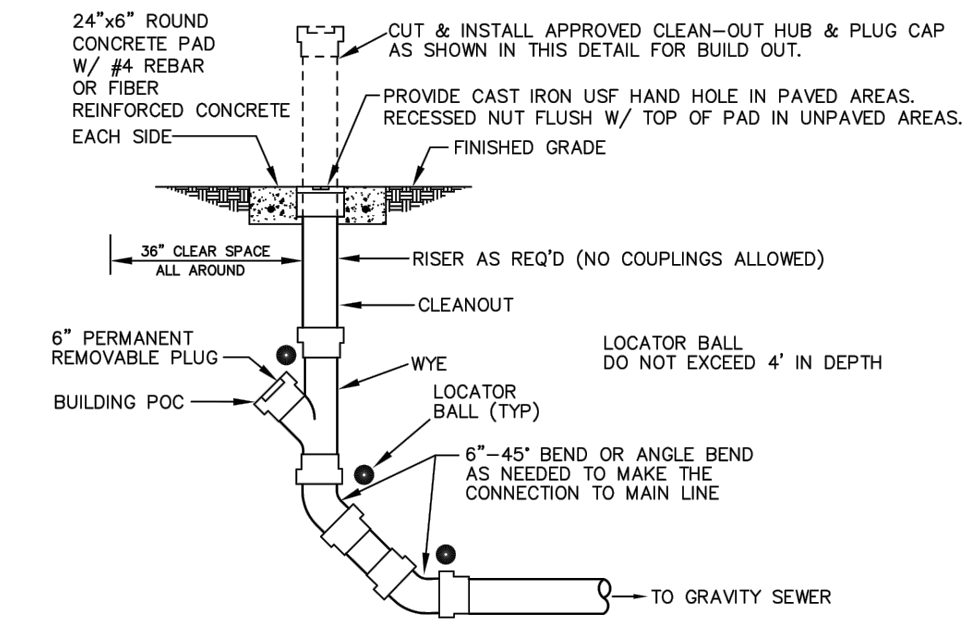
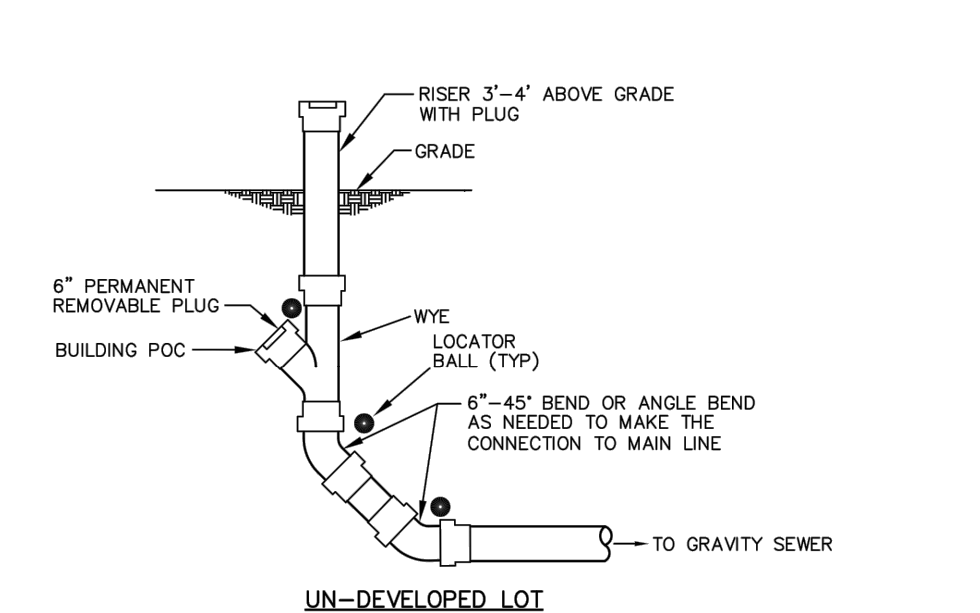


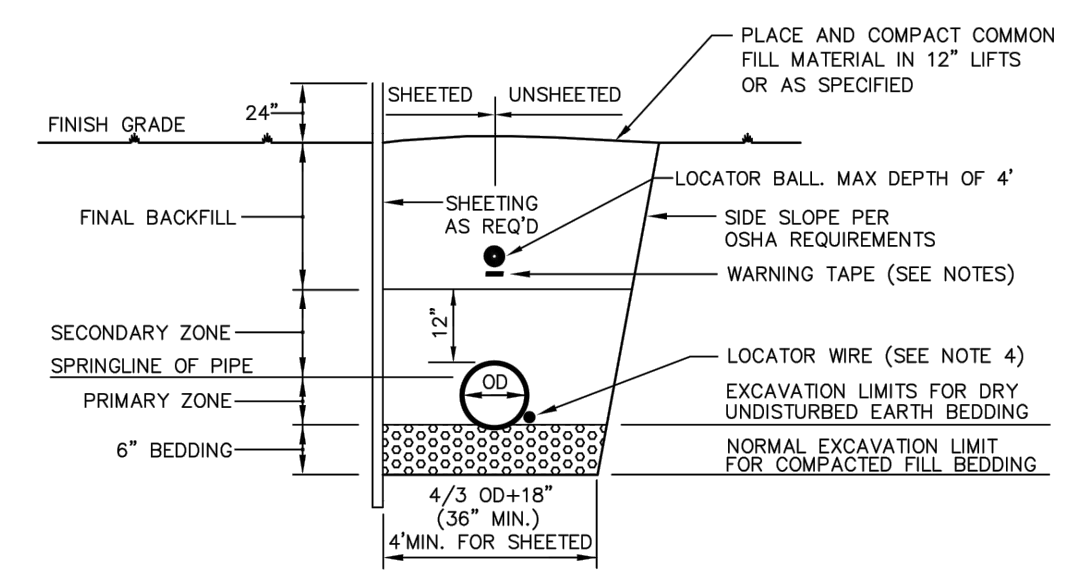
- NOTES:**
1. LOCATE SINGLE LATERAL WITHIN 24" OF LOT LINE.
  2. SERVICE LATERALS SHALL BE 6" MINIMUM DIAMETER.
  3. BENDS SHALL BE 45° MAXIMUM.
  4. RECONNECT ANY EXISTING SERVICES.
  5. LENGTH OF SERVICE LATERALS SHALL BE 100' OR LESS.
  6. SERVICE WYE, AT CLEANOUT, SHALL HAVE A MINIMUM OF 24" AND A MAXIMUM OF 48" COVER AT R/W TIE-IN.
  7. ETCH CURB WHERE LATERAL CROSSES BENEATH CURB WITH "S".
  8. 90° CONNECTIONS ARE NOT ALLOWED.
  9. SERVICE LATERAL WYE & CLEANOUT RISER WITH CAP TO BE INSTALLED BY LICENSED UTILITY CONTRACTOR. CLEANOUTS TO BE INSTALLED BY PLUMBER AT FINISHED GRADE.
  10. ALL COMMERCIAL AND RESIDENTIAL LATERALS SHALL HAVE 6" CLEANOUTS.
  11. THE SITE DEVELOPER SHALL LEAVE THE CLEANOUT RISER 3'-4" ABOVE GRADE AND IT SHALL REMAIN SO UNTIL LOT BUILD OUT. THE RISER SHALL THEN BE CUT WITH CLEAN-OUT HUB AND PLUG INSTALLED AT FINISHED GRADE WITH A CONCRETE PAD, PER TWA-06 DETAIL.
  12. CLEAN-OUTS SHALL NOT BE PLACED WITHIN A PUBLIC ROW OR PUBLIC SIDEWALK.
  13. ANY PIPING USED TO CONNECT BUILDING SHALL NOT GO VERTICAL WITHIN (36") INCHES OF TWA VERTICAL PIPE TO CLEAN-OUT HUB & PLUG.
  14. CLEANOUTS SHALL NOT BE PLACED IN SIDEWALKS.
  15. CLEANOUT DENOTES THE END OF TWA MAINTENANCE RESPONSIBILITY.
  16. LOCATOR BALLS ARE REQUIRED AT ALL FITTINGS: DO NOT EXCEED 4" IN DEPTH.
  17. CONNECTIONS TO THE CLEAN-OUTS VERTICAL STAND PIPE SHALL NOT BE PERMITTED.

**SANITARY SEWER LATERAL DETAILS** TWA-05 2017



- NOTE:**
1. THE SITE DEVELOPER SHALL LEAVE THE CLEANOUT RISER 3'-4" ABOVE GRADE AND IT SHALL REMAIN SO UNTIL LOT BUILD OUT. THE RISER SHALL THEN BE CUT AND A CLEAN-OUT HUB AND PLUG INSTALLED AT FINISHED GRADE WITH A CONCRETE PAD.
  2. ALL CLEANOUTS AND CONCRETE PADS TO BE FLUSH WITH FINISHED GRADE.
  3. UTILITY CONTRACTOR TO INSTALL & PRESSURE TEST WYE AND INSTALL CLEANOUT RISER. INSTALL CLEANOUT AND CONCRETE PAD AT LOT BUILDOUT.
  4. ETCH CURB WITH 3 INCH "S" WHERE LATERAL CROSSES UNDER CURB.
  5. ALL LATERALS SHALL HAVE 6" CLEANOUTS.
  6. MAINTAIN A MINIMUM OF 3" CLEARANCE FREE OF ALL PLANTINGS & STRUCTURES AROUND CLEANOUT.
  7. CLEANOUT CAPS SHALL BE SLOTTED OR HAVE A RECESSED NUT.
  8. CONNECTIONS TO THE CLEAN-OUTS RISER PIPE SHALL NOT BE PERMITTED.
  9. ANY PIPING USED TO CONNECT BUILDING SHALL NOT GO VERTICAL WITHIN (36") INCHES OF TWA VERTICAL PIPE TO CLEAN-OUT HUB & PLUG.
  10. LOCATOR BALLS DO NOT EXCEED 4" IN DEPTH.

**SANITARY CLEANOUT DETAIL** TWA-06 2017



SEE SPECIFICATIONS FOR ADDITIONAL INFORMATION AND REQUIREMENTS.

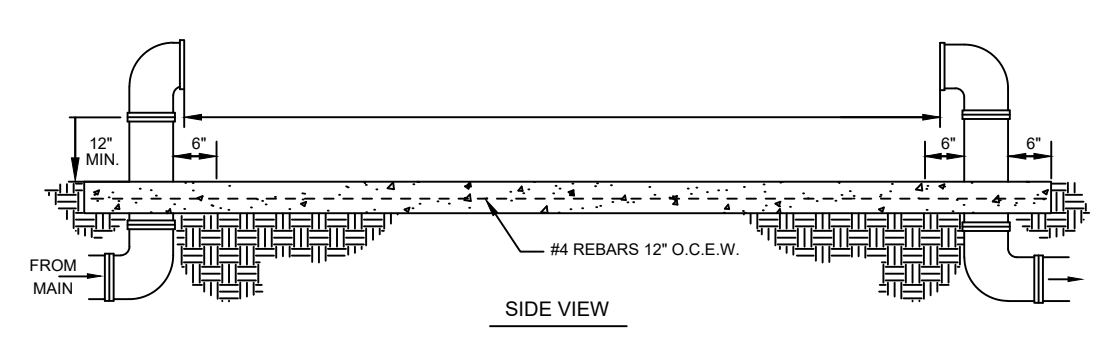
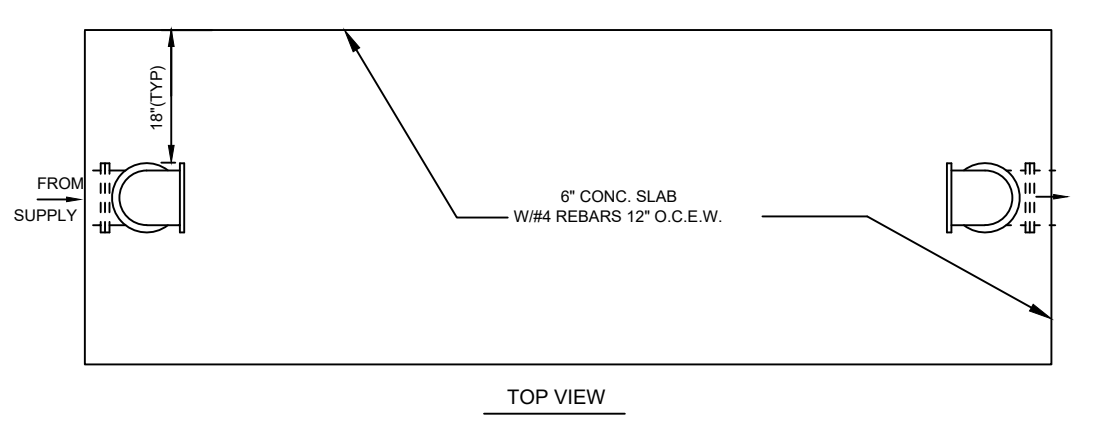
- NOTES:**
1. BEDDING SHALL BE No. 57 CRUSHED STONE, IF EARTH BEDDING IS YIELDING.
  2. PRIMARY AND SECONDARY ZONES SHALL BE INDIVIDUALLY COMPACTED LAYERS OF CLEAN FILL.
  3. COMPACTION OF BACKFILL BENEATH STRUCTURES, PAVING AND PARKWAYS, SHALL BE 98% OF AASHTO T-180; ALL OTHER COMPACTION SHALL BE 95% EXCEPT AS OTHERWISE REQUIRED BY PERMITTING AUTHORITY.
  4. INSTALL CONTINUOUS 14 GAUGE INSULATED COPPER WIRE FOR ALL PIPE, EXCEPT GRAVITY SEWERS. TERMINATE THESE LOCATOR WIRES AT TOP OF EACH VALVE PAD WITH 12" OF EXTRA WIRE. CONNECT SPLICED WIRES WITH WIRE NUTS AND SEAL IN WATER-TIGHT SILICONE FILLED JACKET.
  5. PLACE APPROVED METALLIC PRINTED WARNING TAPE 12"-18" ABOVE PIPE.
  6. SIDE SLOPE AND BENCH PER OSHA REQUIREMENTS.
  7. PLACE SEWER LOCATOR BALLS PER TWA-05. DO NOT EXCEED 4' OF DEPTH.

**TYPICAL PIPE TRENCH SECTION** TWA-14 2017

HORIZONTAL & VERTICAL SEPARATION FROM OTHER UTILITIES			
OTHER PIPE	(a) GRAVITY OR PRESSURE SANITARY SEWER (b) SANITARY SEWER FORCE MAIN (c) RECLAIMED WATER (4)	(a) STORM SEWER, (b) STORMWATER FORCE MAIN, (c) RECLAIMED WATER (2)	ON-SITE SEWAGE TREATMENT & DISPOSAL SYSTEM
HORIZONTAL SEPARATION	10' PREFERRED 6' MINIMUM (3)	3' MIN	10' MIN.
CROSSINGS (1)	12" IS THE MINIMUM EXCEPT FOR GRAVITY SEWER, THEN 6" IS THE MINIMUM AND 12" IS PREFERRED.	12" IS THE MINIMUM EXCEPT FOR STORM SEWER, THEN 6" IS THE MINIMUM AND 12" IS PREFERRED.	—
JOINT SPACING AT CROSSINGS (FULL JOINT CENTERED)	ALTERNATE 6 FT MINIMUM	ALTERNATE 3 FT MINIMUM	—

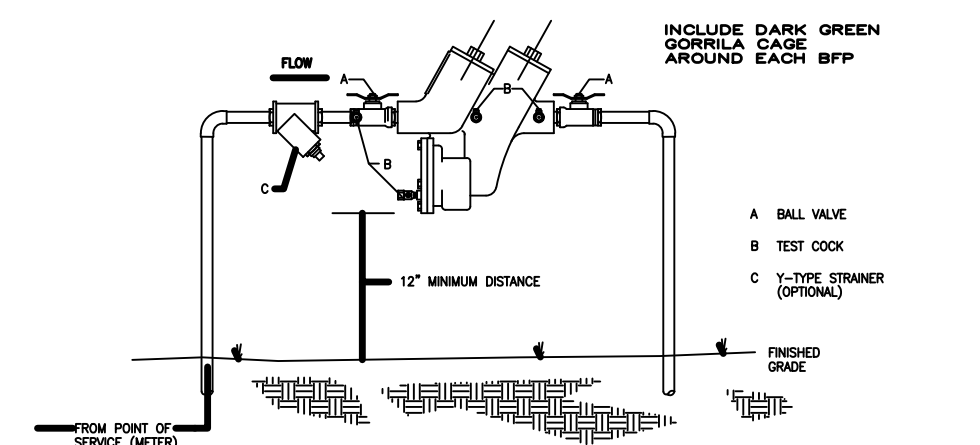
- (1) WATER MAIN SHOULD CROSS ABOVE OTHER PIPE. WHEN WATER MAIN MUST BE BELOW OTHER PIPE, THE MINIMUM SEPARATION IS 12 INCHES.  
(2) RECLAIMED WATER REGULATED UNDER PART III OF CHAPTER 62-610, F.A.C.  
(3) 3 FT FOR GRAVITY SANITARY SEWER WHERE THE BOTTOM OF THE WATER MAIN IS LAID AT LEAST 6 INCHES ABOVE THE TOP OF THE GRAVITY SANITARY SEWER.  
(4) RECLAIMED WATER NOT REGULATED UNDER PART III OF CHAPTER 62-610, F.A.C.

**PIPING CLEARANCES** TWA-16 2017



- NOTES:**
1. GALVANIZED PIPE IS NOT ALLOWED
  2. INSTALL PROTECTIVE BOLLARD(S) AS REQUIRED BY TOHO WATER AUTHORITY (SEE DETAIL TWA-28)
  3. BACKFLOW PREVENTER ASSEMBLIES SHALL BE DCV (DOUBLE CHECK VALVE) FOR OFFICE SPACE, RPZ (REDUCED PRESSURE ZONE) FOR HIGH HAZARD LOCATIONS AND BOTH TO BE INSTALLED A MINIMUM OF 12" ABOVE THE FLOOD PLAIN; PVB (PRESSURE VACUUM BREAKER) FOR IRRIGATION (INSTALLED MINIMUM OF 12" ABOVE THE HIGHEST OUTLET)
  4. MAINTAIN A MINIMUM OF 3" CLEARANCE FREE OF ALL PLANTINGS & STRUCTURES AROUND BACKFLOW ASSEMBLY.

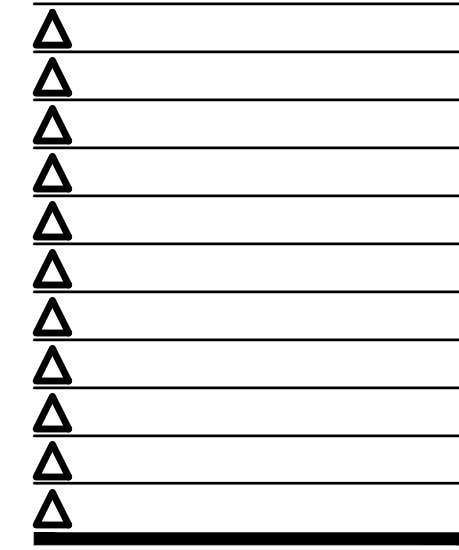
TWA-23 2015



**A2 REDUCED PRESSURE ZONE BACKFLOW PREVENTER** N.T.S.

**A1 POTABLE WATER SERVICE BACKFLOW (2" AND SMALLER)** N.T.S.

ISSUED FOR CONST. 08.09.18



CONTRACT DATE: 09.18.17  
BUILDING TYPE: EXP. LITE MED40  
PLAN VERSION: July 2017  
SITE NUMBER: 312536/445270  
STORE NUMBER: 2017088.45

**TACO BELL**  
PARCEL #012529302500010020  
BUENAVENTURA BLVD.  
KISSIMMEE, FL 34743

**TACO BELL**  
**EXPLORER LITE**  
MEDIUM40

**DETAILS**

**C-505**

PROJECT NO. - SDP17-0154