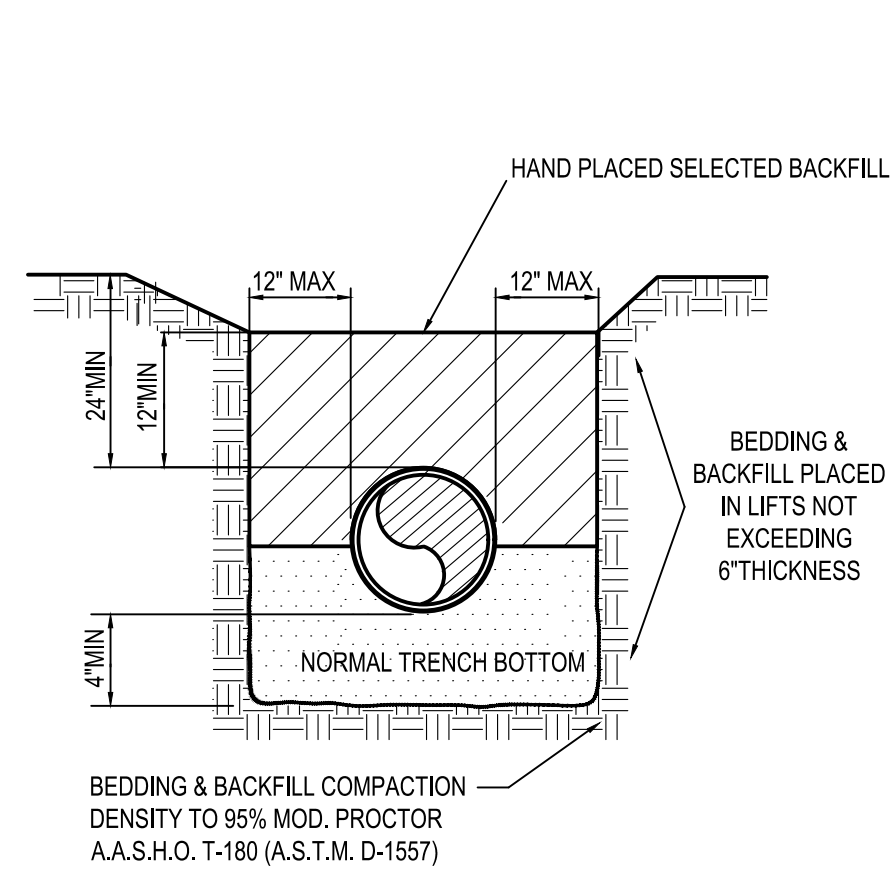


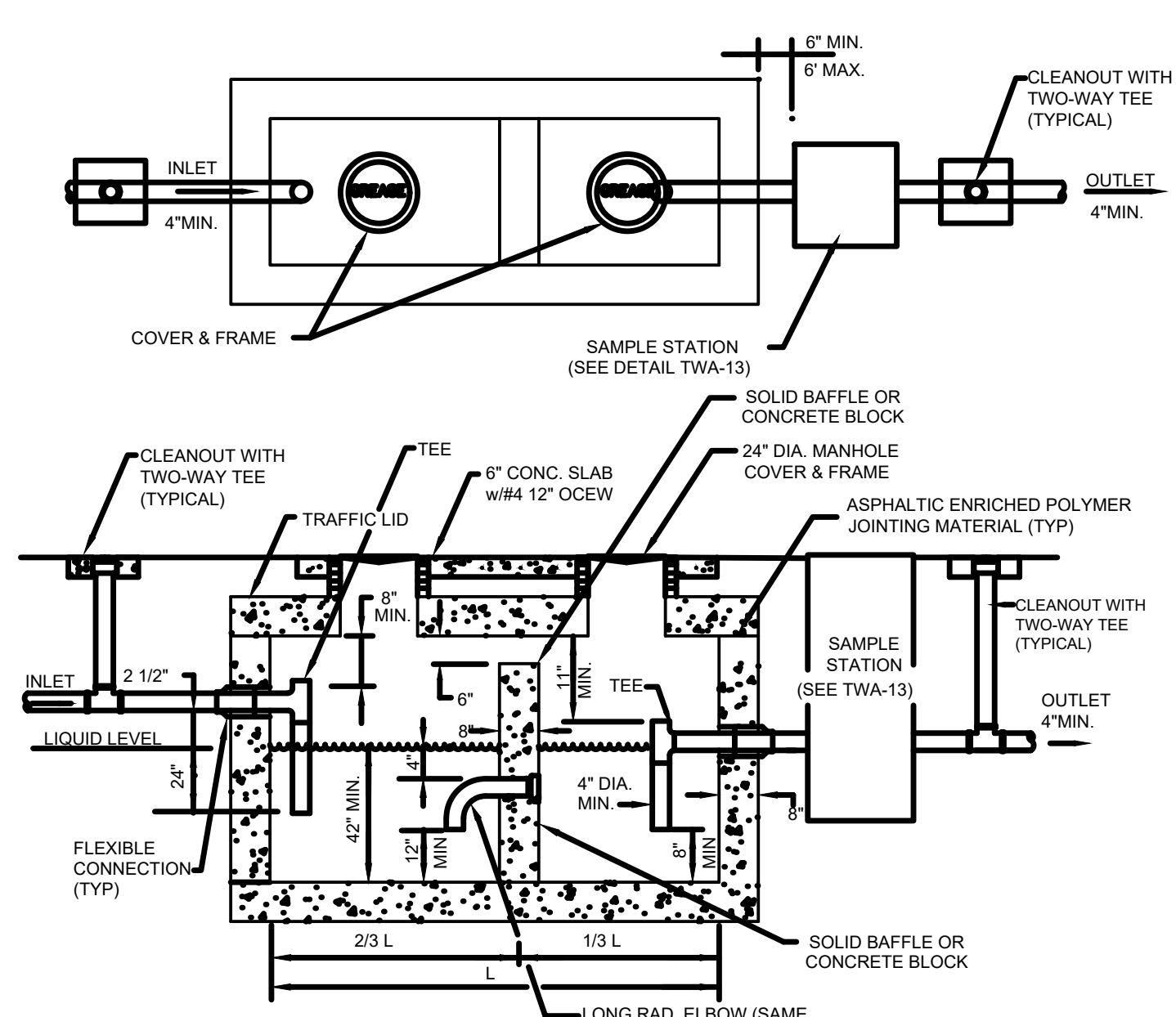
- NOTES:**
- STRUCTURE SHALL CONFORM WITH F.D.O.T. DESIGN STANDARDS. PROVIDE FOR A MINIMUM H-20 LOADING.
 - CAST-IN-PLACE STRUCTURES SHALL BE DESIGNED BY FLORIDA LICENSED ENGINEER.
 - PRECAST STRUCTURES SHALL CONFORM TO ASTM C478
 - LIDS SHALL BE LABELED "SAMPLE STATION"
 - INSTALLATION SHALL BE IN ACCORDANCE WITH STANDARD PLUMBING CODES.
 - INLET AND OUTLET PIPING REQUIRE A TWO-WAY CLEANOUT TEE.
 - SAMPLE STATION SHALL BE PLACED DOWNSTREAM OF ALL PRETREATMENT STRUCTURES.
 - A-LOK CONNECTORS SHALL BE GROUTED FROM SPRINGLINE OF PIPE DOWN ONLY.

B2-1 SAMPLING STATION
N.T.S.



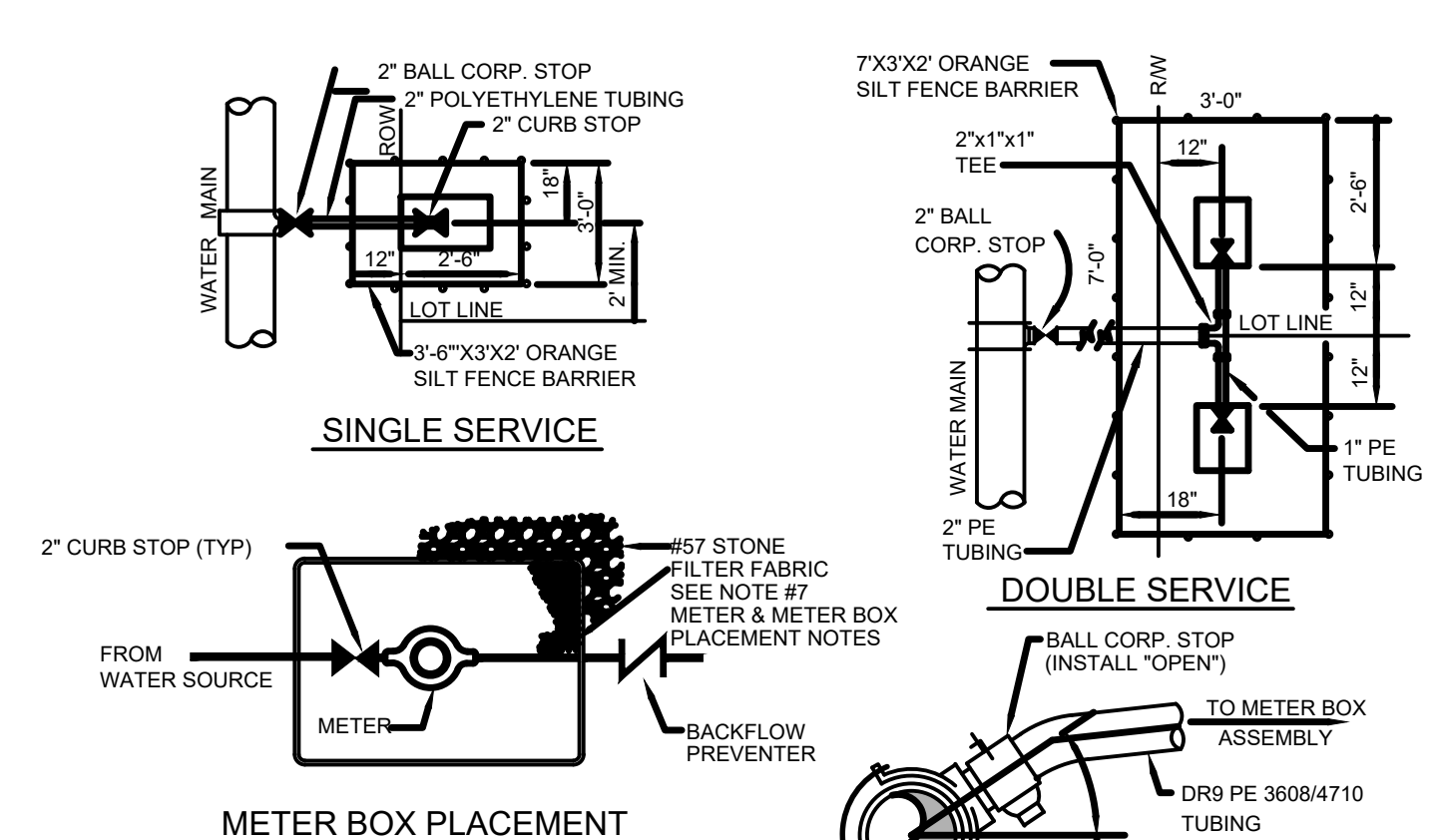
FOR STORM SEWER PIPE ALL BEDDING IN COMPLIANCE WITH (A.S.T.M. D 2321-74)

B2-2 STANDARD BEDDING DETAIL
N.T.S.



- SIZING**
750 GALLON MINIMUM LIQUID CAPACITY (42" LIQUID DEPTH)
SIZING SHALL BE PER SECTION 20.6 OF TOHO WATER AUTHORITY SPECIFICATIONS.
- NOTES:**
- STRUCTURE SHALL CONFORM WITH F.D.O.T. DESIGN STANDARDS. PROVIDE FOR A MINIMUM H-20 LOADING.
 - CAST-IN-PLACE STRUCTURES SHALL BE DESIGNED BY FLORIDA LICENSED ENGINEER.
 - PRECAST STRUCTURES SHALL CONFORM TO ASTM C478
 - GREASE TRAP SHALL BE 2 COMPARTMENT TYPE WITH 1/3-2/3 SPLIT.
 - LIDS SHALL BE LABELED "GREASE"
 - INSTALLATION SHALL BE IN ACCORDANCE WITH STANDARD PLUMBING CODES.
 - INLET AND OUTLET PIPING REQUIRE A TWO-WAY CLEANOUT TEE.
 - CLEAN-OUTS SHALL BE PROVIDED BETWEEN ALL STRUCTURES WHERE MULTIPLE INTERCEPTORS ARE INSTALLED.
 - SAMPLE STATION SHALL BE INSTALLED DOWNSTREAM OF THE FINAL INTERCEPTOR WHERE MULTIPLE INTERCEPTORS ARE INSTALLED.
 - A-LOK CONNECTORS SHALL BE GROUTED FROM SPRINGLINE OF PIPE DOWN ONLY.

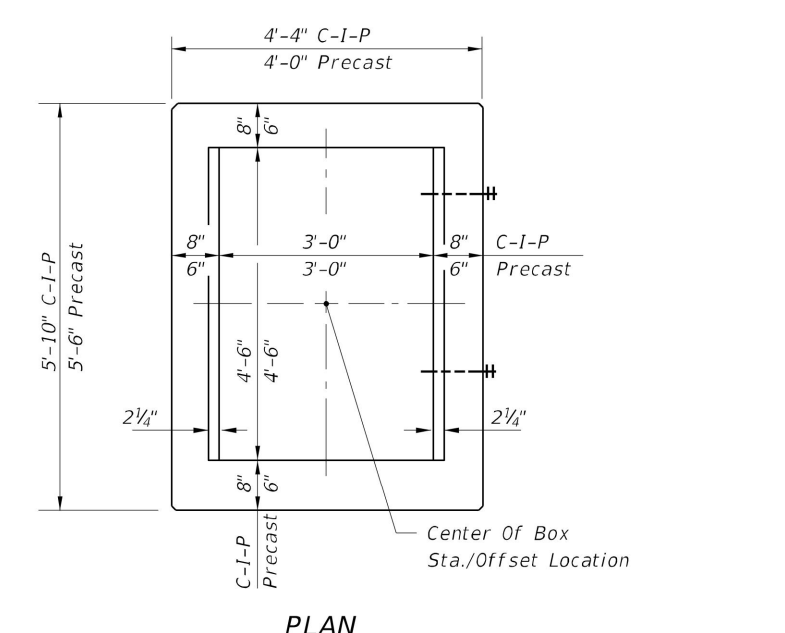
B3 GREASE INTERCEPTOR (1,500 GALLON)
N.T.S.



- NOTES:**
- METERS INSTALLED BY TOHO WATER AUTHORITY
 - METER BOX AND BACKFLOW PREVENTER INSTALLED BY CONTRACTOR
- SERVICE NOTES:**
- ALL FITTINGS AND STOPS SHALL BE BRASS PACK JOINT TYPE w/CLAMP SCREW RETAINERS.
 - SERVICE SHALL NOT TERMINATE BENEATH PAVEMENT, CURBS, SIDEWALKS OR OTHER STRUCTURES.
 - CURB STOPS SHALL BE LOCKING TYPE, STRAIGHT BALL VALVE WITH OUTLET SIZE AND THREADS TO MATCH INTENDED METER.
 - METER COUPLINGS SHALL NOT BE USED.
 - TAPS SHALL BE A MINIMUM 18" FROM JOINTS. SUCCESSIVE TAPS INTO THE WATER MAIN SHOULD BE SPACED A MINIMUM 18"
 - THE SERVICE LINE SHALL BE CONTINUOUS FROM CORPORATION STOP TO CURB STOP OR TEE BRANCH WITH NO FITTINGS IN BETWEEN.
 - TRACER WIRE SHOULD BE RUN WITH ALL SERVICES A MINIMUM OF 1' BEYOND THE CURB STOP AND TIED INTO THE TRACER WIRE THAT RUNS WITH THE MAIN.
 - NO FITTINGS SHALL BE INSTALLED UNDER AN IMPERVIOUS SURFACE.
 - SERVICE TUBING SHALL BE POLYETHYLENE DR9, 200 PSI. BLUE FOR POTABLE, PURPLE FOR REUSE.
 - ETCH A 3 INCH "W" IN THE CURB. "R" FOR REUSE.
 - THIS DETAIL IS INTENDED FOR SINGLE OR DOUBLE SERVICE CONNECTIONS. SEE DETAIL TWA-03 "MULTIPLE WATER SERVICE CONNECTION" FOR GROUPS OF 3 TO 10 SERVICE CONNECTIONS.

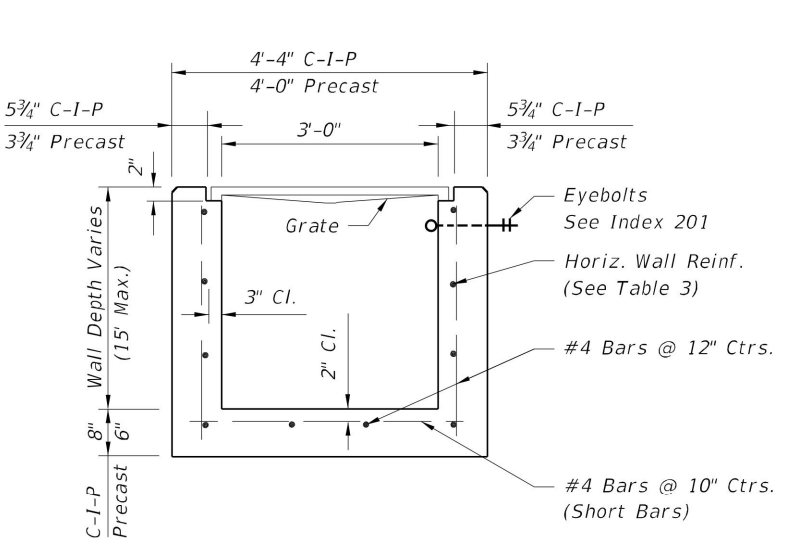
- METER & METER BOX PLACEMENT NOTES:**
- APPROVED BACKFLOW PREVENTION IS REQUIRED ON ALL SERVICES.
 - BACKFLOW PREVENTERS SHALL BE INSTALLED MINIMUM OF 12" ABOVE FLOOD PLAIN ("DCV" OR RPZ). "PVB" MUST BE INSTALLED A MINIMUM OF 12" ABOVE THE HIGHEST OUTLET.
 - THE BUILDER SHALL MAKE FINAL HORIZONTAL AND VERTICAL ADJUSTMENTS TO METER ASSEMBLY AND METER BOX. THE METER ASSEMBLY SHALL BE ADJUSTED TO APPROXIMATELY 7" BELOW FINISH GRADE. THE METER BOX SHALL BE CENTERED OVER METER ASSEMBLY, AS SHOWN ABOVE.
 - SINGLE SERVICE METER BOX SHALL BE UNIFORMLY PERPENDICULAR TO THE CURB OR SIDEWALK. DOUBLE SERVICE METER BOXES SHALL BE UNIFORMLY PARALLEL TO THE CURB OR SIDEWALK PER DETAIL TWA-29. TOP OF METER BOX TO BE ADJUSTED FLUSH WITH FINISH GRADE.
 - MAINTAIN A MINIMUM OF 3' CLEARANCE FREE OF ALL PLANTINGS & STRUCTURES AROUND METER BOX.
 - METER BOX LIDS SHALL BE SOLID PLASTIC W/NO METAL. BLACK FOR WATER, PURPLE FOR REUSE.
 - PLACE FILTER FABRIC UNDER METER BOX EXTENDING 1' BEYOND ALL DIRECTIONS. BELOW METER BOX PROVIDE #57 STONE A MIN. 6" DEEP EXTENDING BEYOND THE METER BOX 1' IN ALL DIRECTIONS.
 - INSTALL CURB STOP WITH OPERATING NUT FACING UP.
 - METER BOXES ARE TO BE SET AT SOD GRADE.

B4 TYPICAL COMMERCIAL WATER SERVICE
N.T.S.



- KEYED NOTES**
- 6" DIA. CLEAN-OUT PIPE
 - CAP AND SEAL CONDUIT
 - THREADED CLEAN-OUT CAP
 - 45° BEND
 - WYE
 - SEWER

B5 STORM CLEAN OUT (LAWN AREA)
N.T.S.

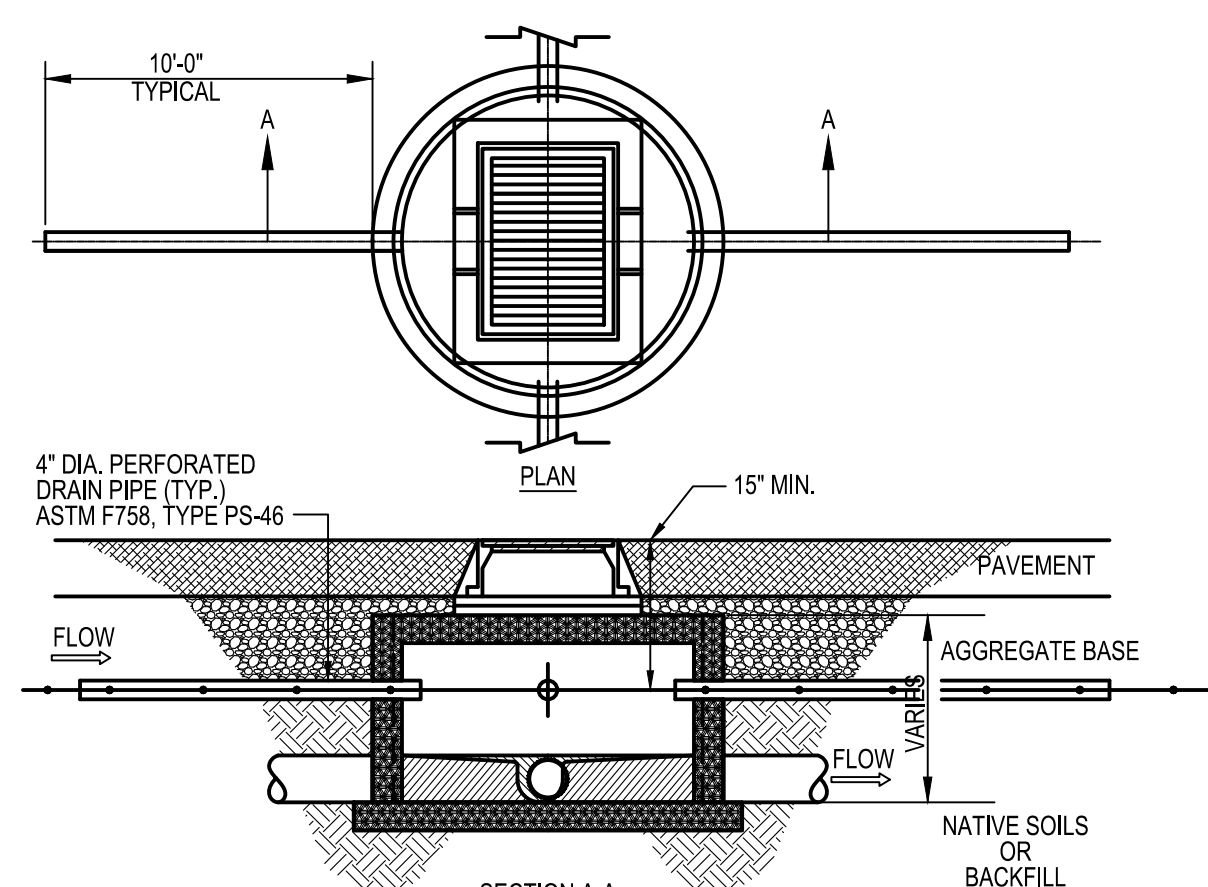


HORIZONTAL WALL REINFORCING SCHEDULES (TABLE 3)

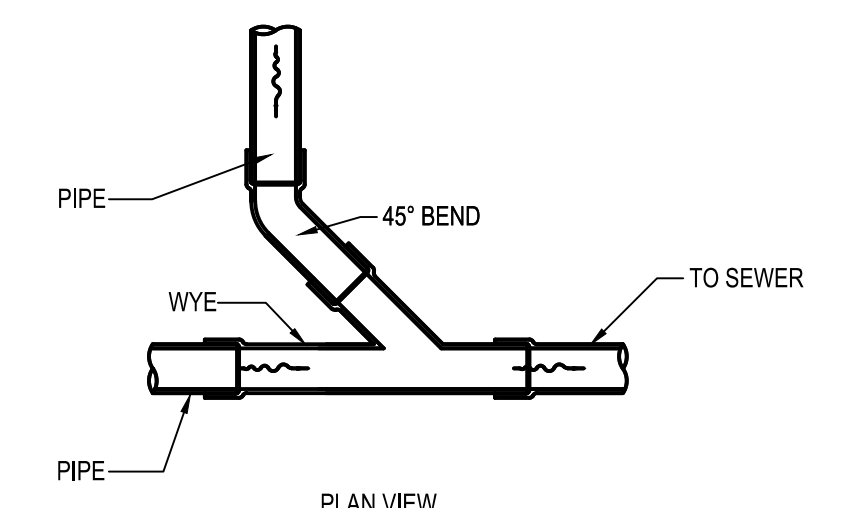
WALL DEPTH	SCHEDULE	AREA (in. ² /ft.)	MAX. SPACING BARS	WWF
0'-5"	A12	0.20	12"	8"
0'-7.5"	A6	0.20	6"	5"
7.5'-10"	B5.5	0.24	5 1/2"	5"
10'-15"	C6.5	0.37	6 1/2"	6"

TYPE E
Recommended Maximum Pipe Size:
3'-0" Wall - 24" Pipe
4'-6" Wall - 36" Pipe

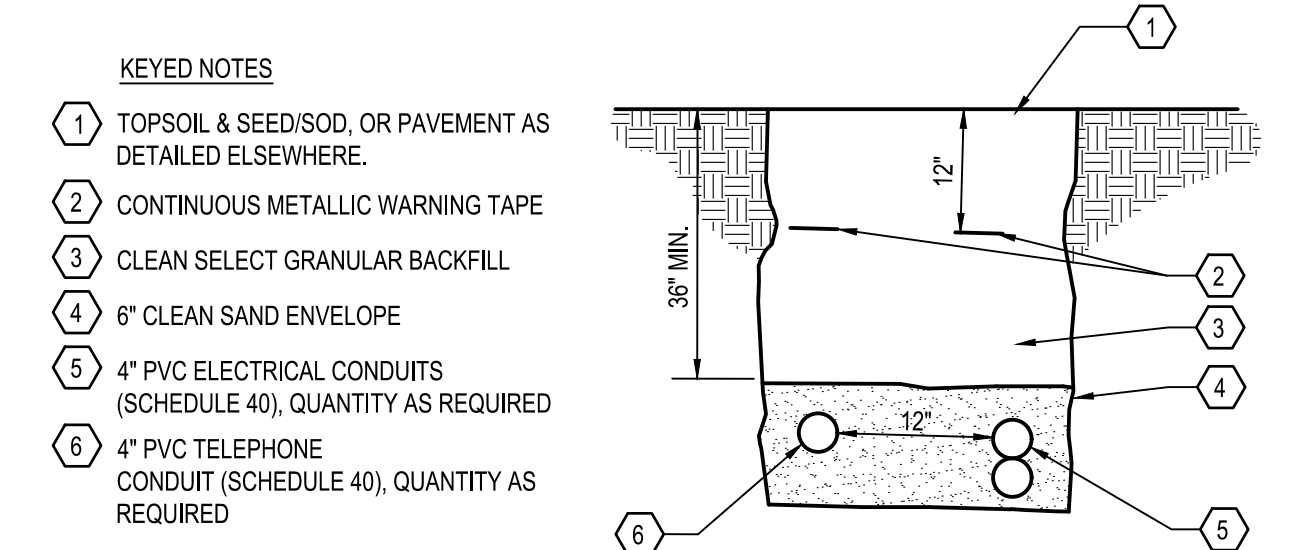
SEE F.D.O.T. INDEX # 232, 2017-18
A2 F.D.O.T TYPE "E" INLET
N.T.S.



A3 FINGER DRAIN DETAIL
N.T.S.



A4 WYE CONNECTION
N.T.S.



C4 ELECTRICAL & COMMUNICATIONS SERVICE TRENCH
N.T.S.