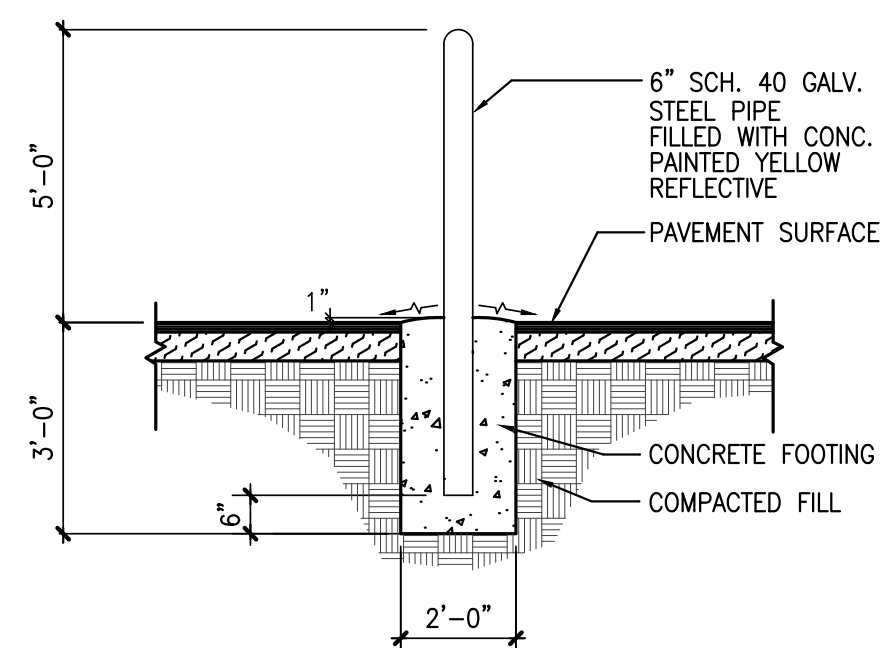


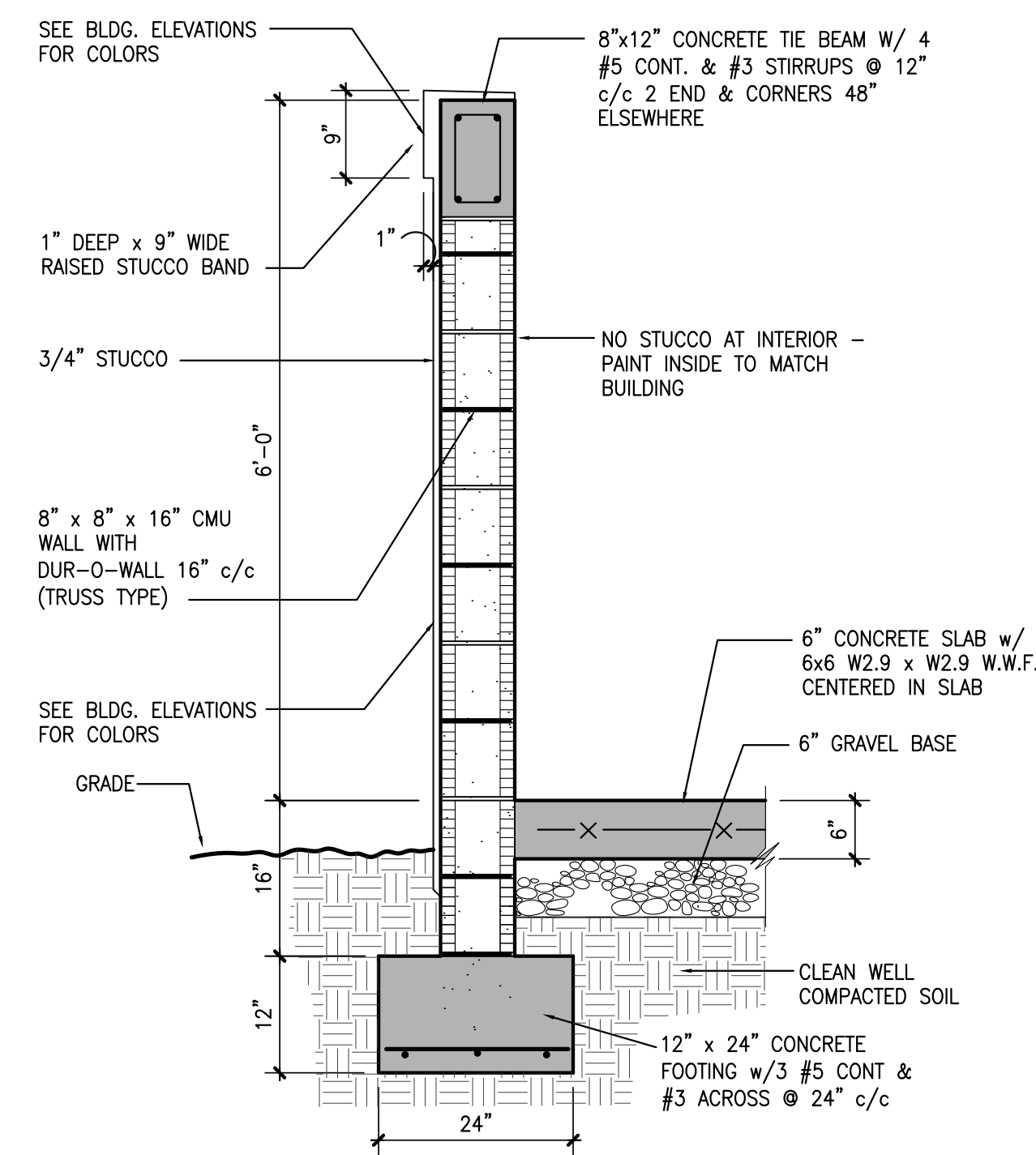
**TRASH & RECYCLING ENCLOSURE PLAN**

3/8" = 1'-0"



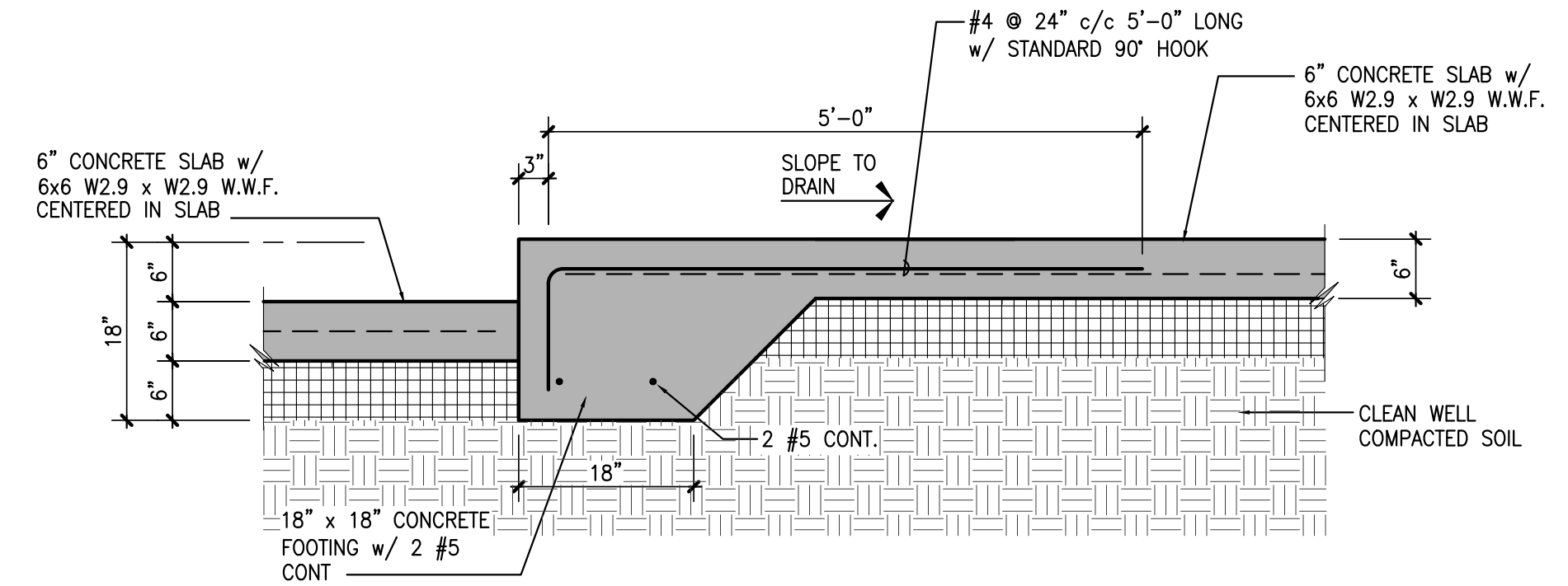
**STEEL BOLLARD DETAIL**

NOT TO SCALE



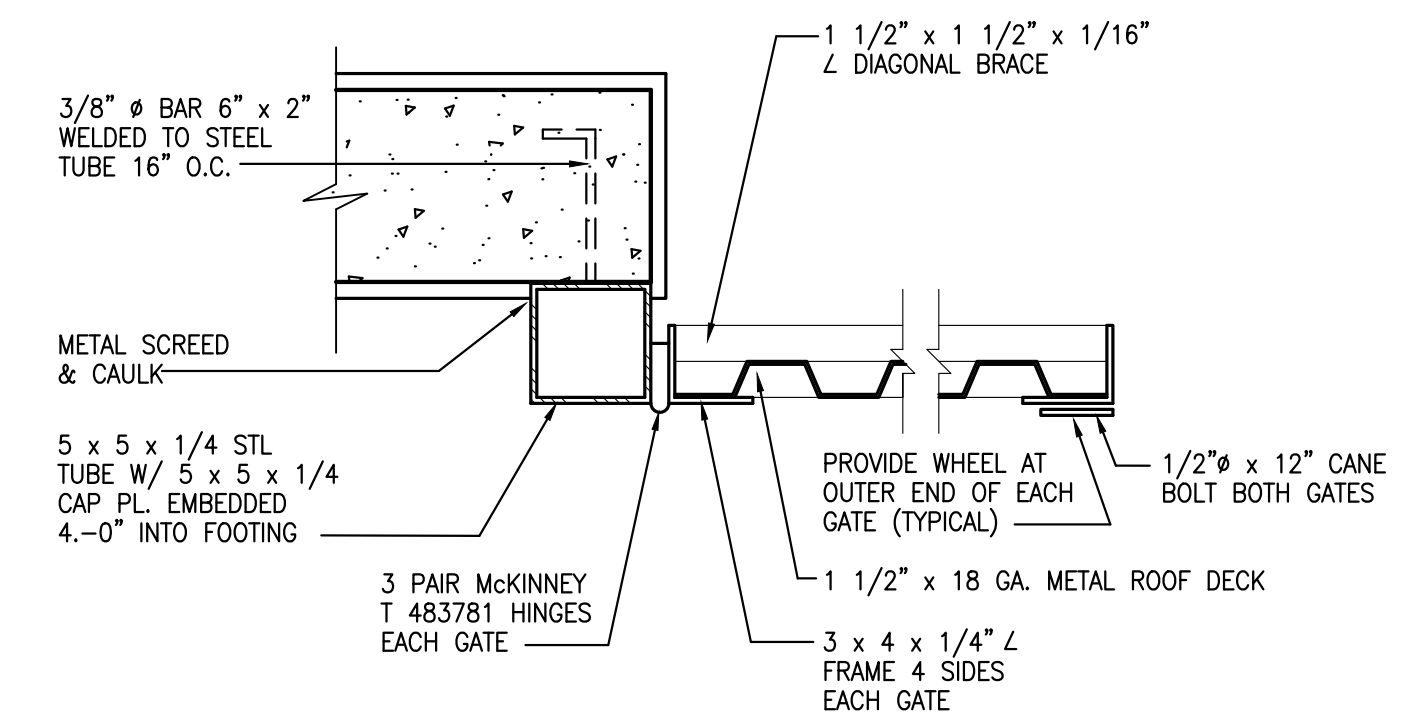
**SECTION THRU TYPICAL WALL**

3/4" = 1'-0"



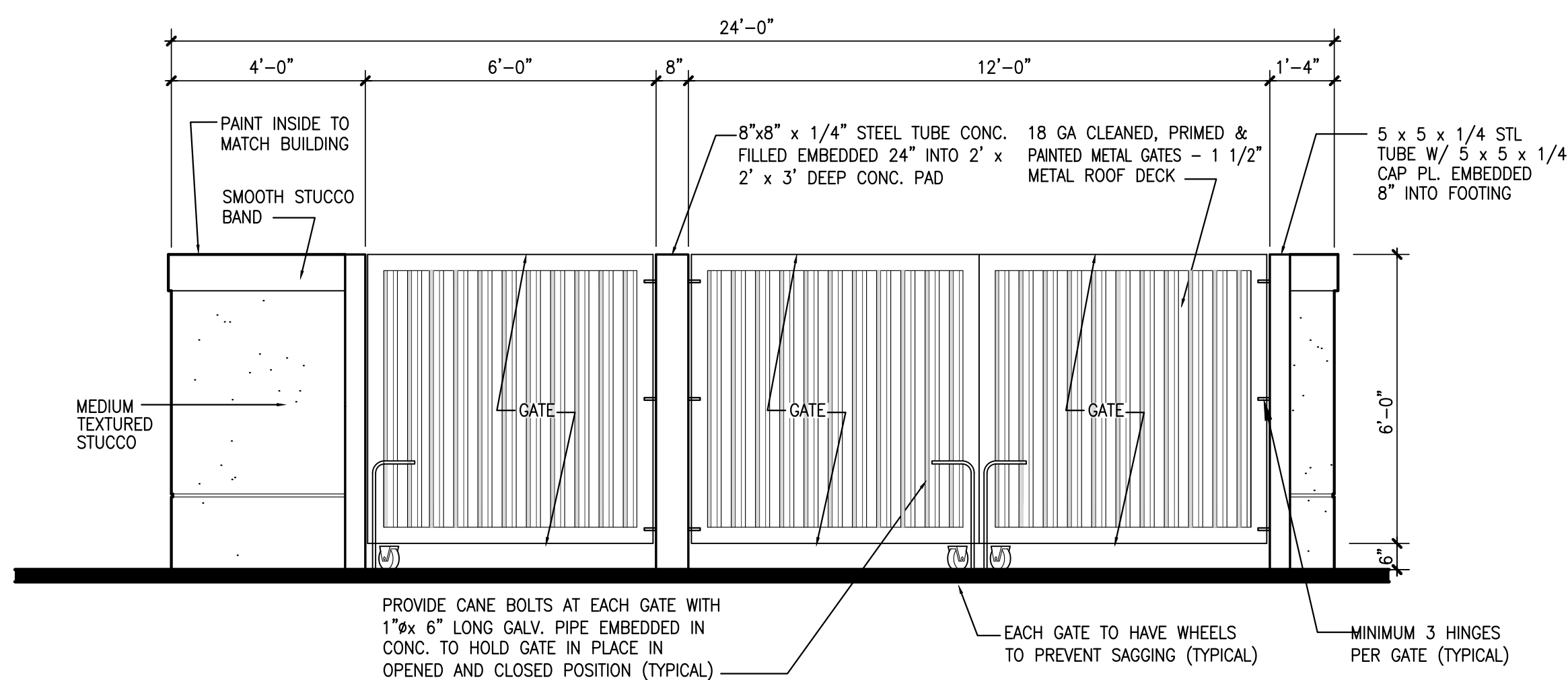
**SECTION AT SLAB FOOTING**

3/4" = 1'-0"



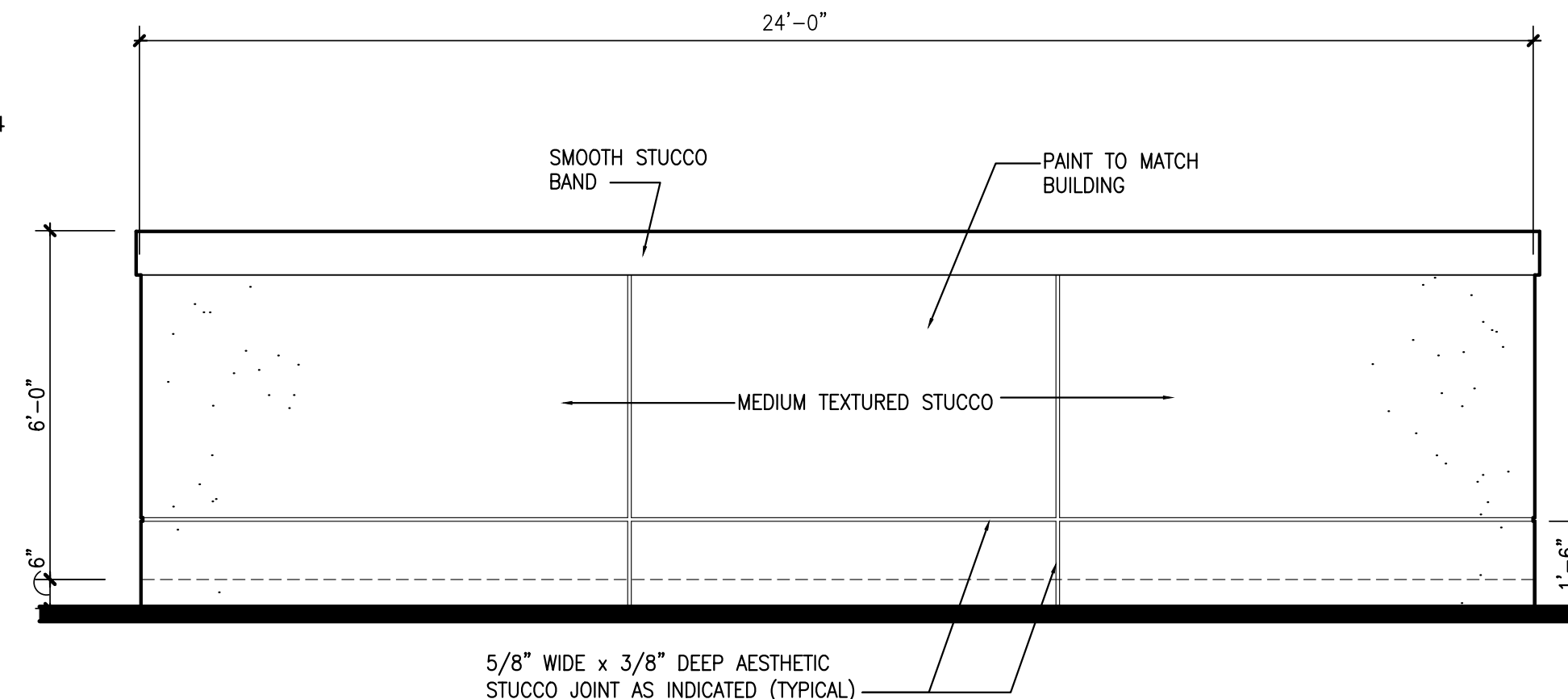
**JAMB DETAIL**

1 1/2" = 1'-0"



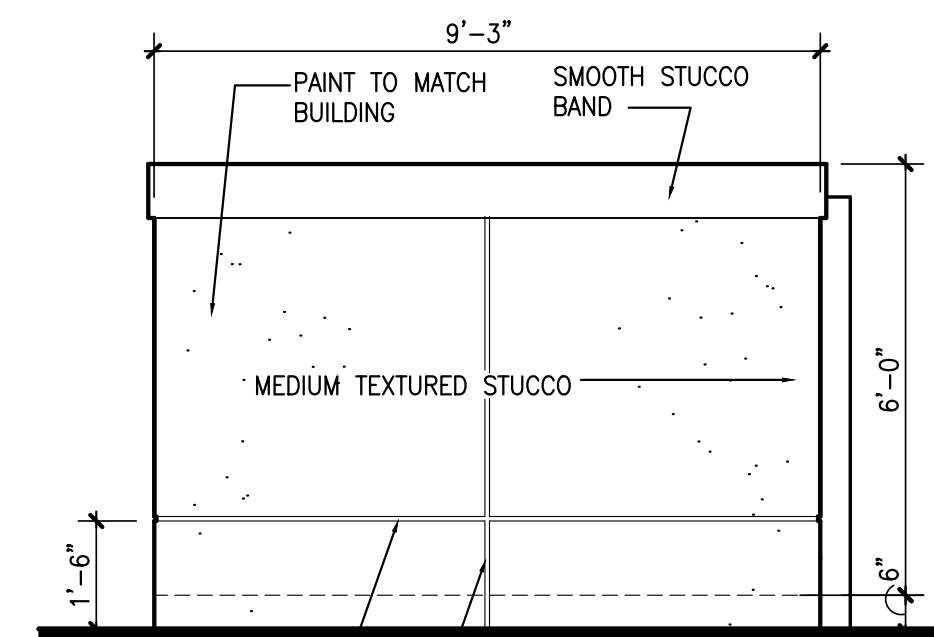
**FRONT ELEVATION**

3/8" = 1'-0"



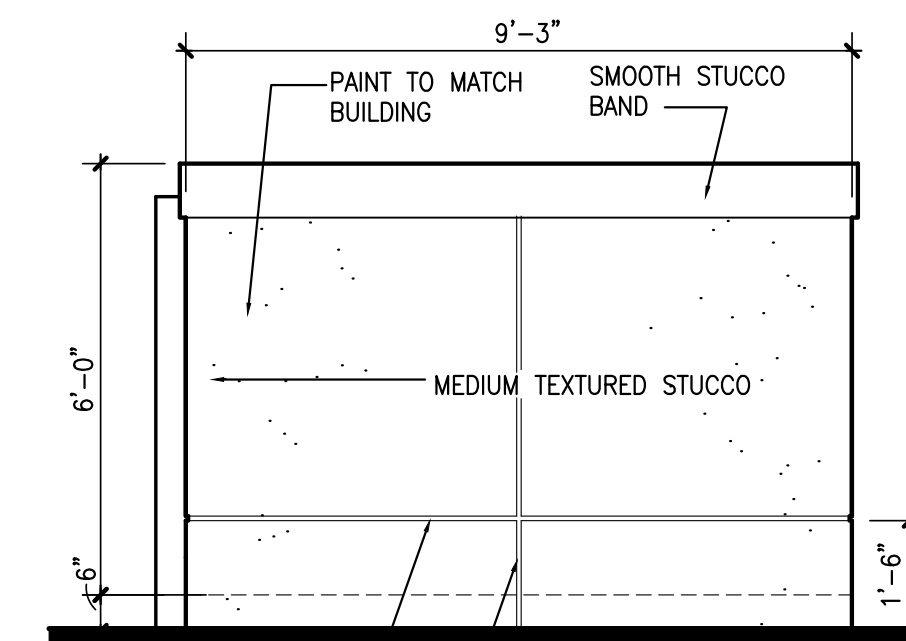
**REAR ELEVATION**

3/8" = 1'-0"



**LEFT SIDE ELEVATION**

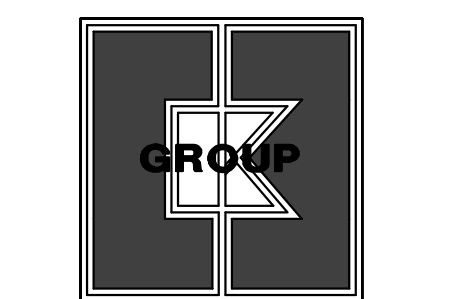
3/8" = 1'-0"



**RIGHT SIDE ELEVATION**

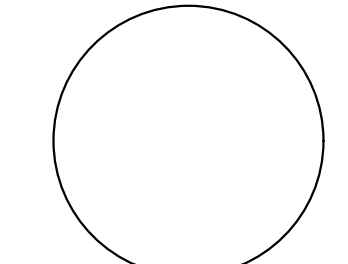
3/8" = 1'-0"

NOTE:  
STEEL BOLLARDS NOT SHOWN REFER TO PLAN FOR LOCATIONS.



**CKE GROUP**  
INCORPORATED  
engineering • architecture • planning

15500 NEW BARN ROAD  
SUITE 106  
MIAMI LAKES, FLORIDA 33014  
PHONE: (305) 558-4124  
FAX: (305) 826-0619  
EB#0004432



SEAL  
EDUARDO L. CARCACHE  
CIVIL ENGINEER-PE 31914  
ANA A. GONZALEZ VALDEZ  
ARCHITECT-AR 97769

NO.	DATE	DESCRIPTION
△	03-02-18	
△		
△		
△		
△		
△		
△		
△		

CONTRACT DATE: .....  
BUILDING TYPE: CUSTOM  
PLAN VERSION: 1  
SITE NUMBER: 309797  
STORE NUMBER: 420630

TACO BELL

5070 W. Atlantic Blvd.  
Delray Bch., FL



T-40  
OPEN KITCHEN  
DELRAY BEACH SOL

**TE-1**

TRASH ENCLOSURE DETAILS

PLOT DATE: 07-24-2018