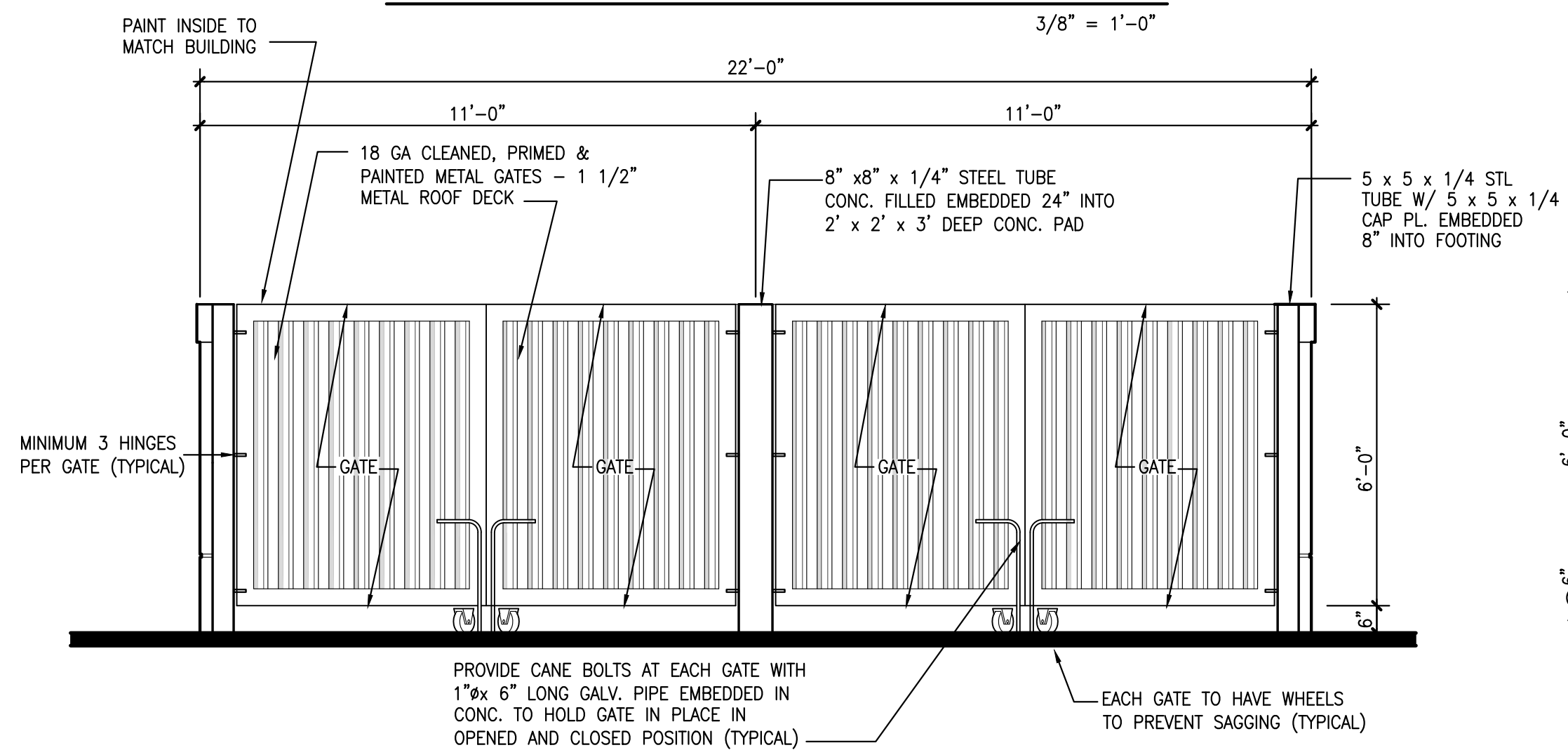
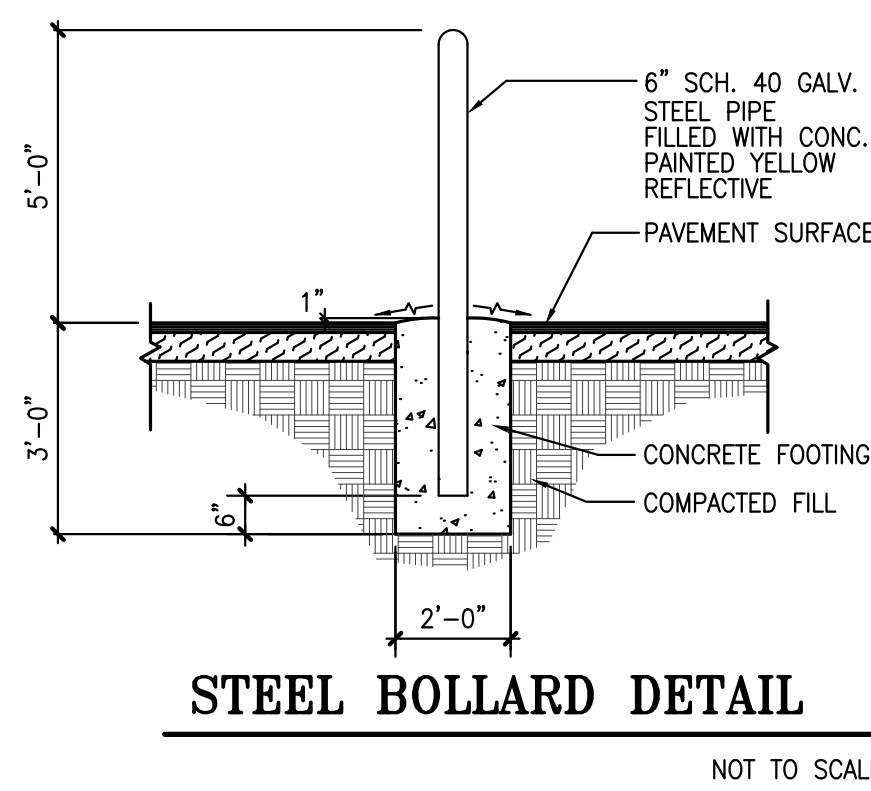


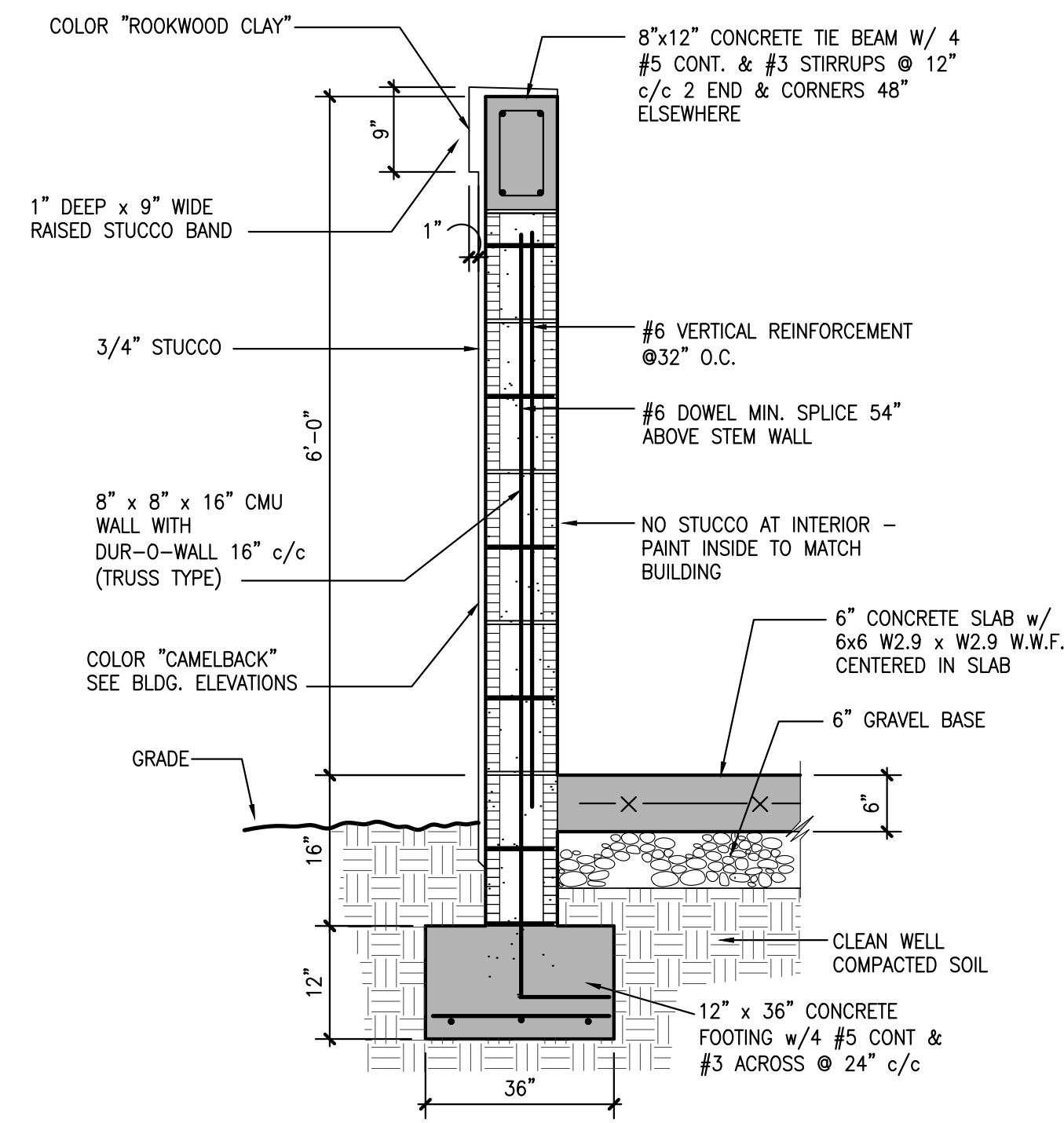
**TRASH & RECYCLING ENCLOSURE PLAN**  
3/8" = 1'-0"



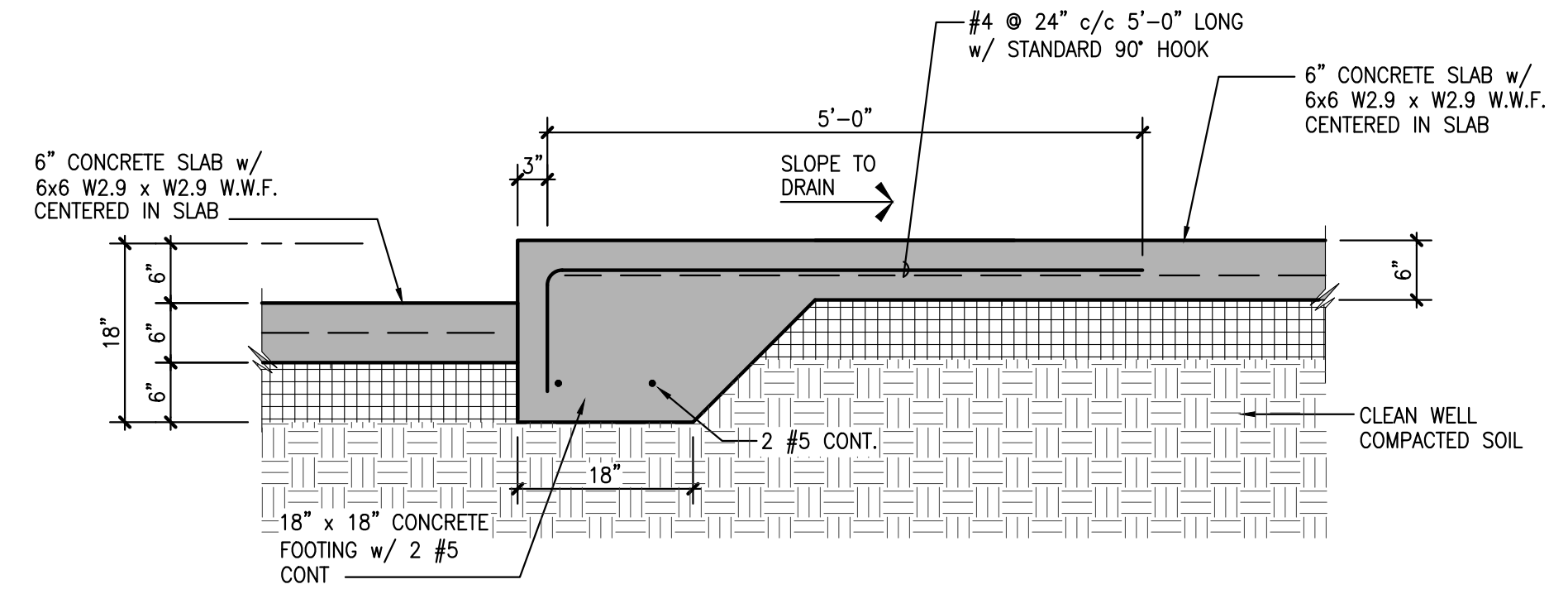
**FRONT ELEVATION**  
3/8" = 1'-0"



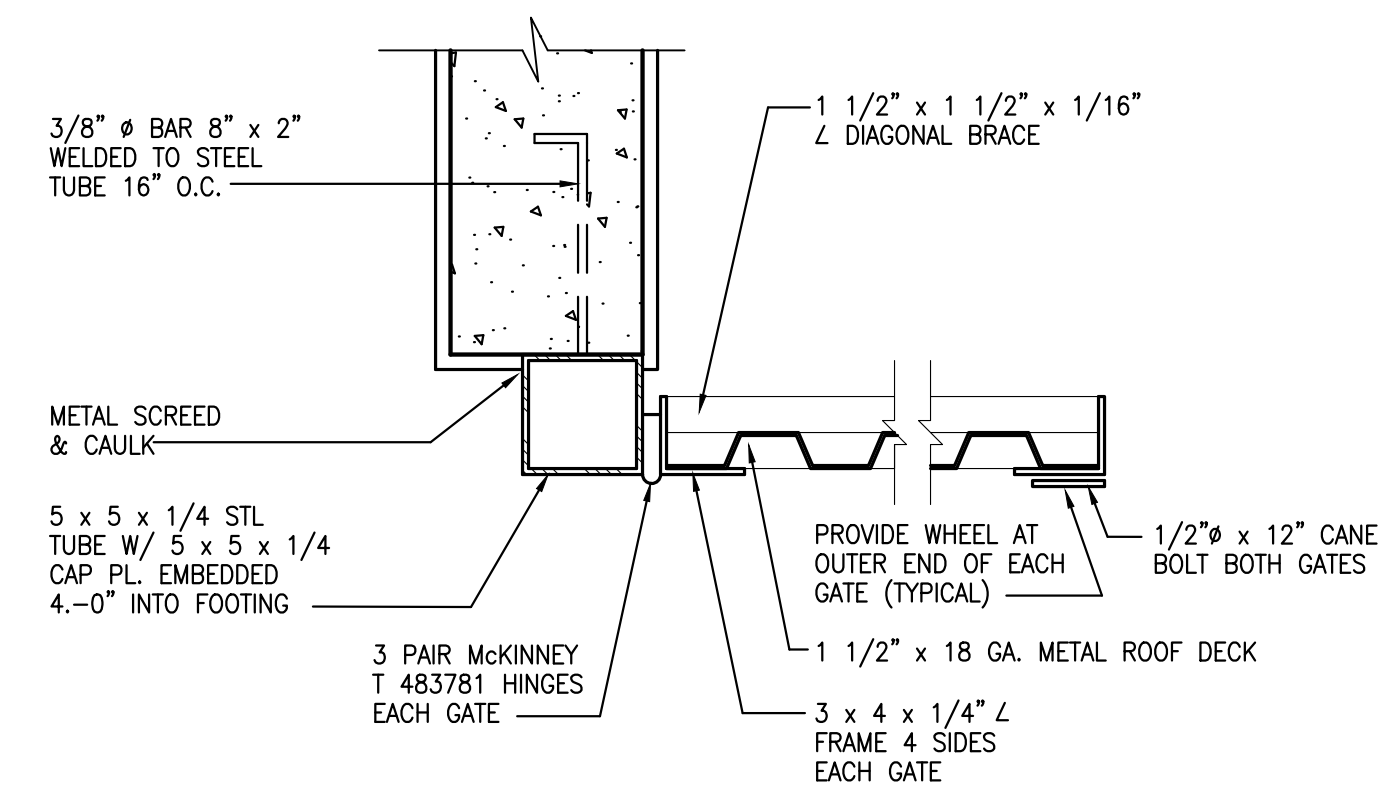
**STEEL BOLLARD DETAIL**  
NOT TO SCALE



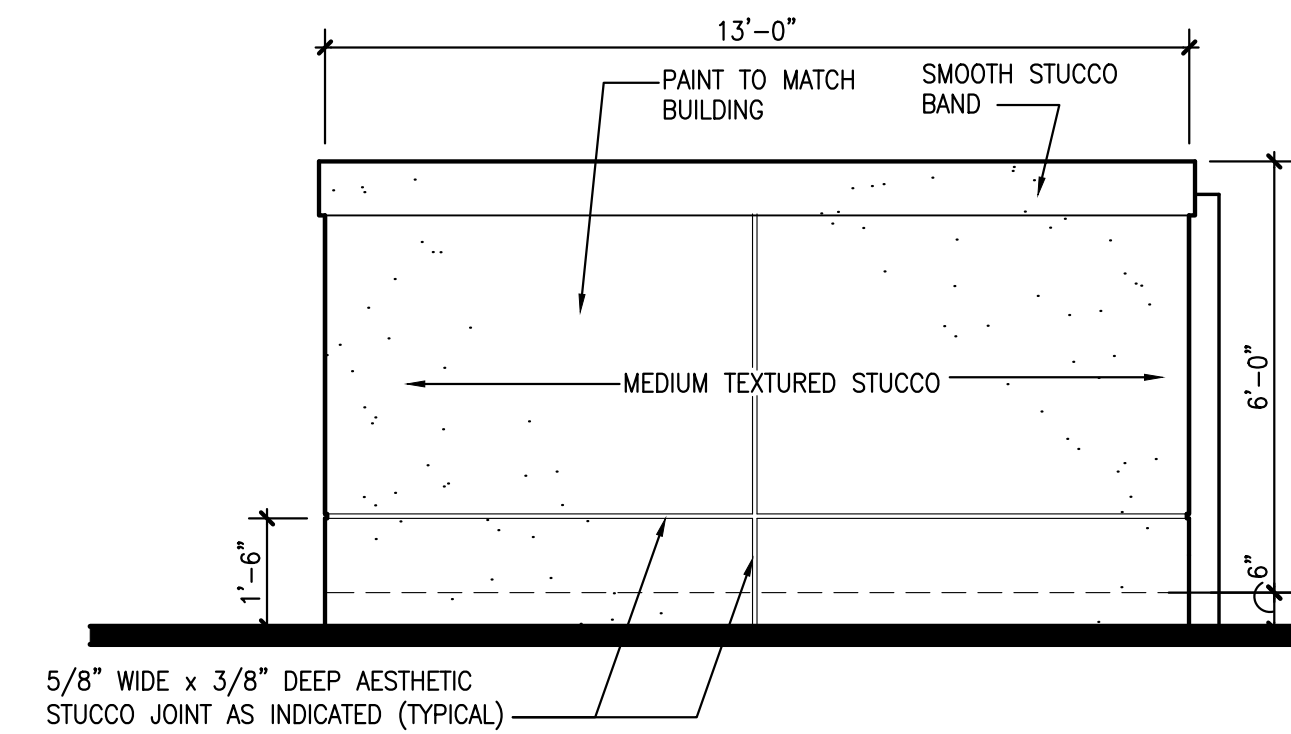
**SECTION THRU TYPICAL WALL**  
3/4" = 1'-0"



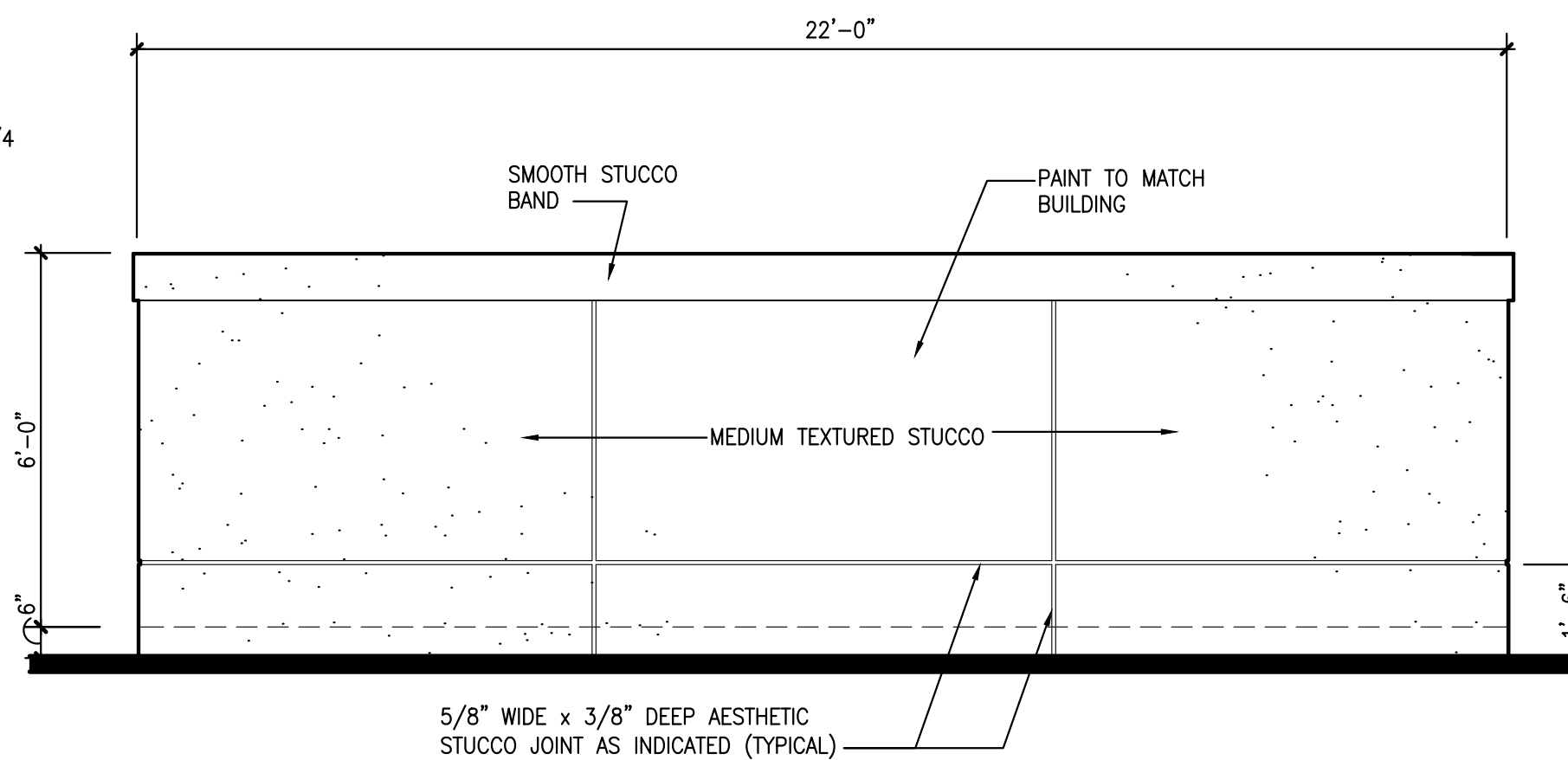
**SECTION AT SLAB FOOTING**  
3/4" = 1'-0"



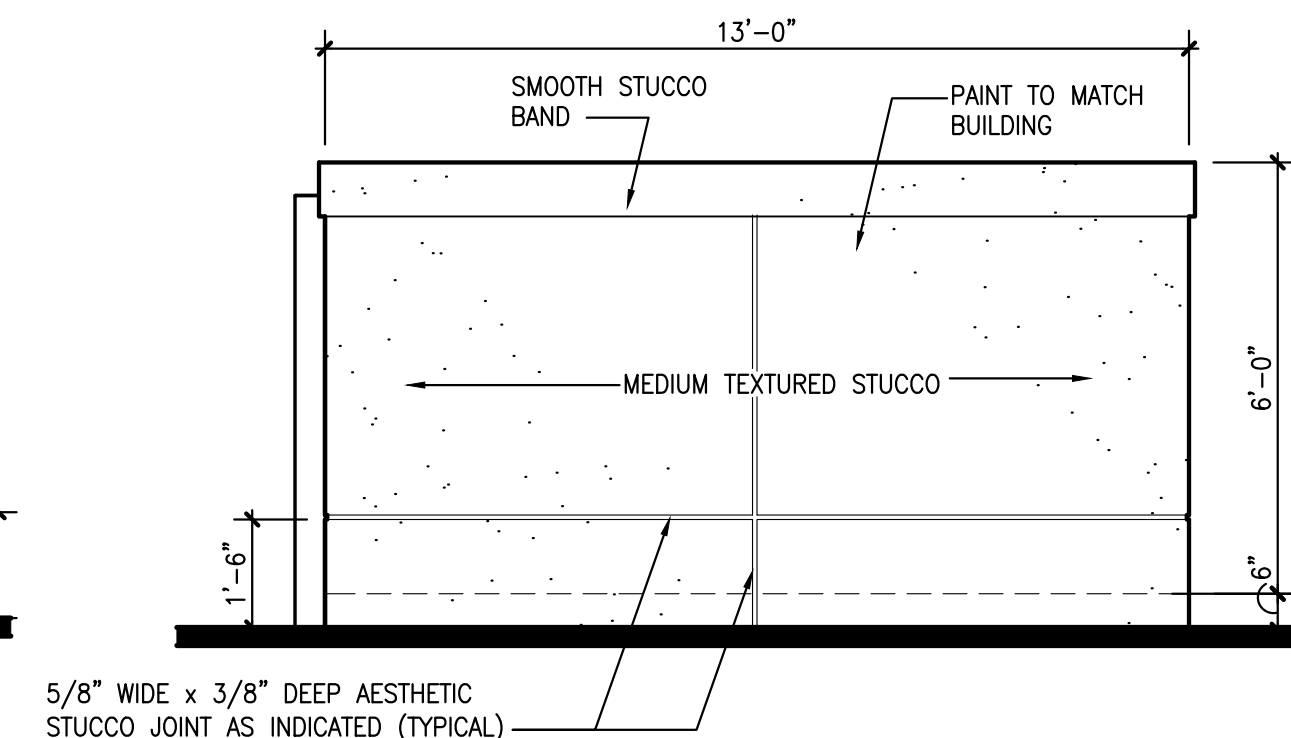
**JAMB DETAIL**  
1 1/2" = 1'-0"



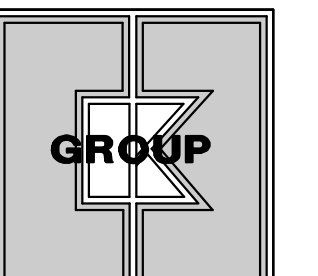
**LEFT SIDE ELEVATION**  
3/8" = 1'-0"



**REAR ELEVATION**  
3/8" = 1'-0"

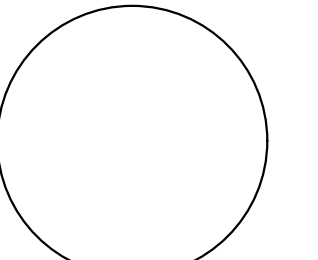


**RIGHT SIDE ELEVATION**  
3/8" = 1'-0"



**CKE GROUP**  
INCORPORATED  
engineering • architecture • planning

15500 NEW BARN ROAD  
SUITE 106  
MIAMI LAKES, FLORIDA 33014  
PHONE: (305) 558-4124  
FAX: (305) 826-0619  
EB#0004432



SEAL  
EDUARDO L. CARCACHE  
CIVIL ENGINEER-PE 31914  
ANA A. GONZALEZ VALDEZ  
ARCHITECT-AR 97769

NO.	DATE	DESCRIPTION

CONTRACT DATE: \_\_\_\_\_  
BUILDING TYPE: EXP. LT. MED-40  
PLAN VERSION: x  
SITE NUMBER: 309797  
STORE NUMBER: 420630

TACO BELL

20711 SO. DIXIE HWY  
CUTLER BAY, FL



Explorer Lite

**TRASH ENCLOSURE DETAILS**

**C-7**

PLOT DATE: 05-31-2018