

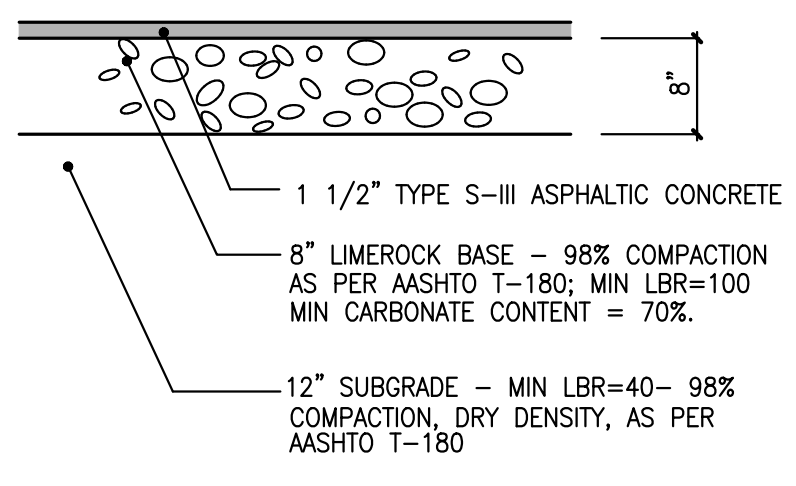
NO.	DATE	DESCRIPTION
△		
△		
△		
△		
△		
△		
△		
△		

CONTRACT DATE: _____
 BUILDING TYPE: EXP. LT. MED-40
 PLAN VERSION: x
 SITE NUMBER: 309797
 STORE NUMBER: 420630

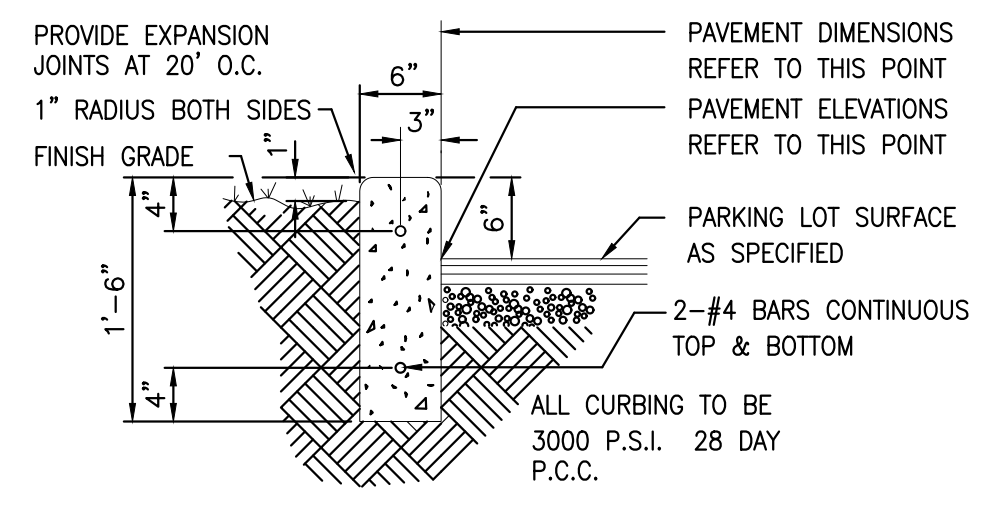
TACO BELL
 20711 SO. DIXIE HWY
 CUTLER BAY, FL

TACO BELL
 Explorer Lite
SITE DETAILS

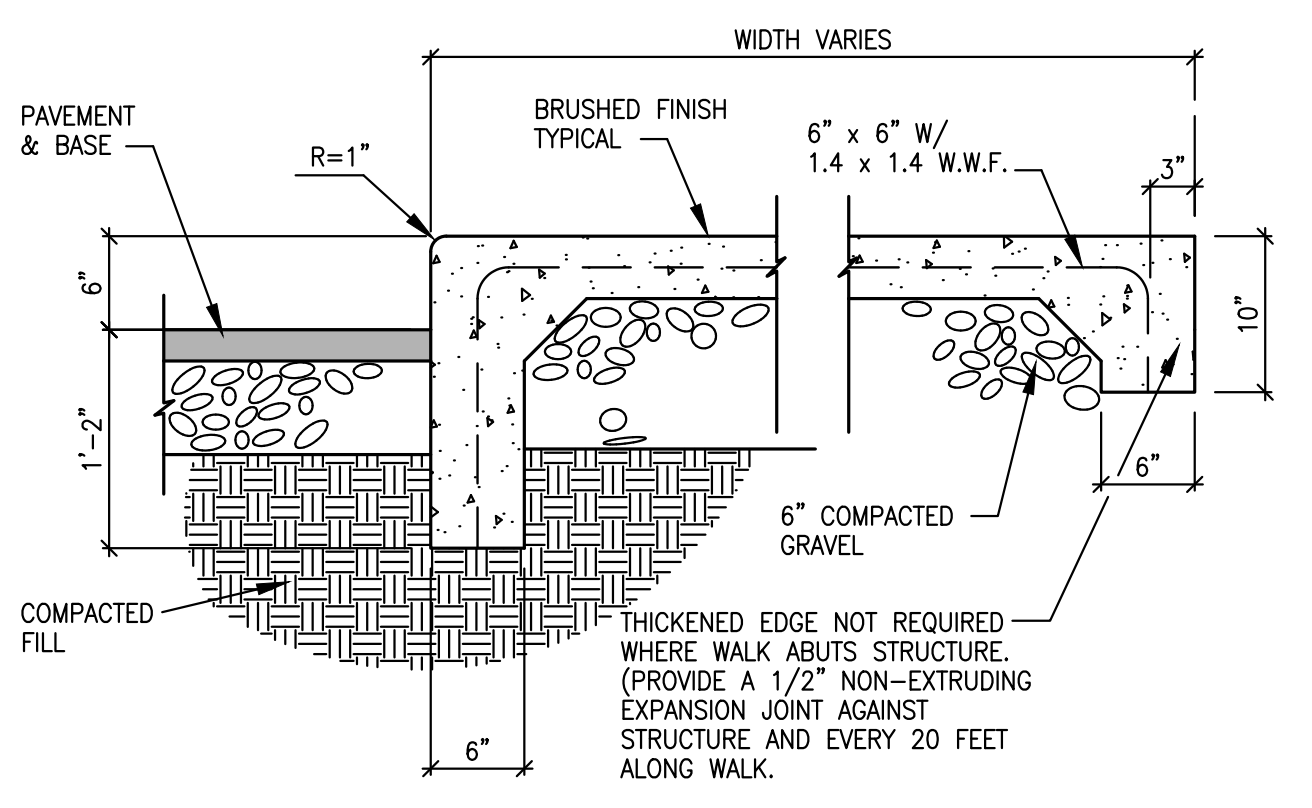
C-4



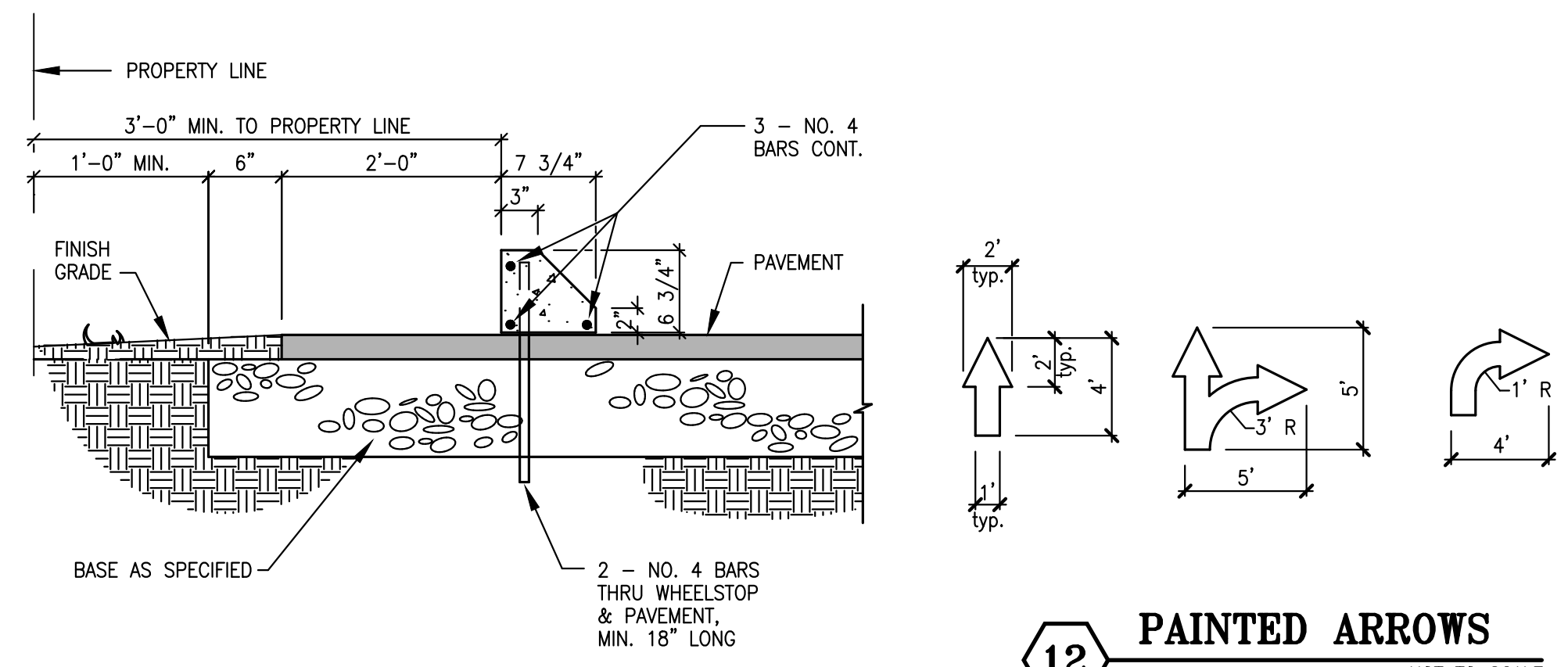
1 PAVEMENT DETAIL
 NOT TO SCALE



2 6" CONCRETE CURB (TYPE "D")
 NOT TO SCALE

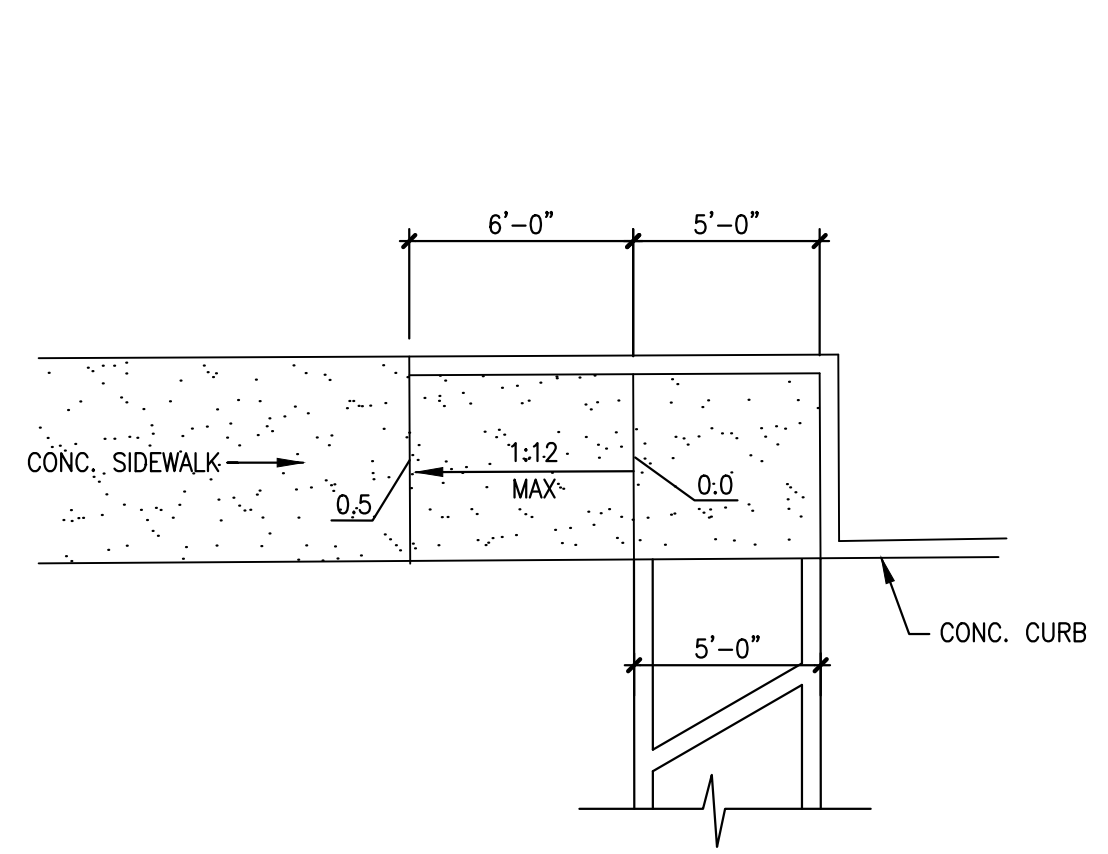


3 BRUSHED CONCRETE WALK
 NOT TO SCALE

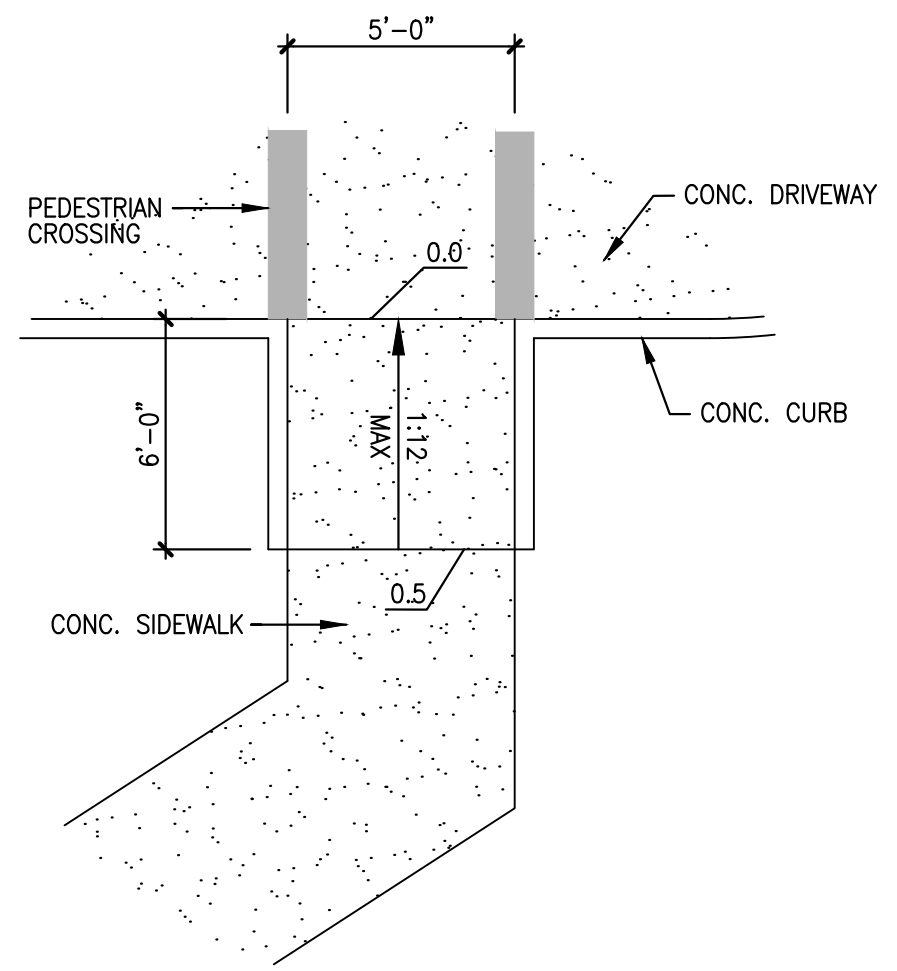


10 PRECAST CONCRETE WHEELSTOP
 NOT TO SCALE

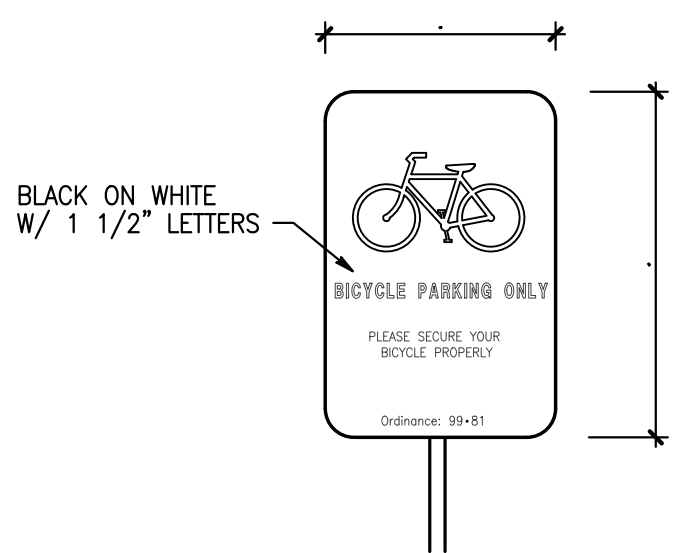
12 PAINTED ARROWS
 NOT TO SCALE
 PER F.D.O.T. INDEX 17346



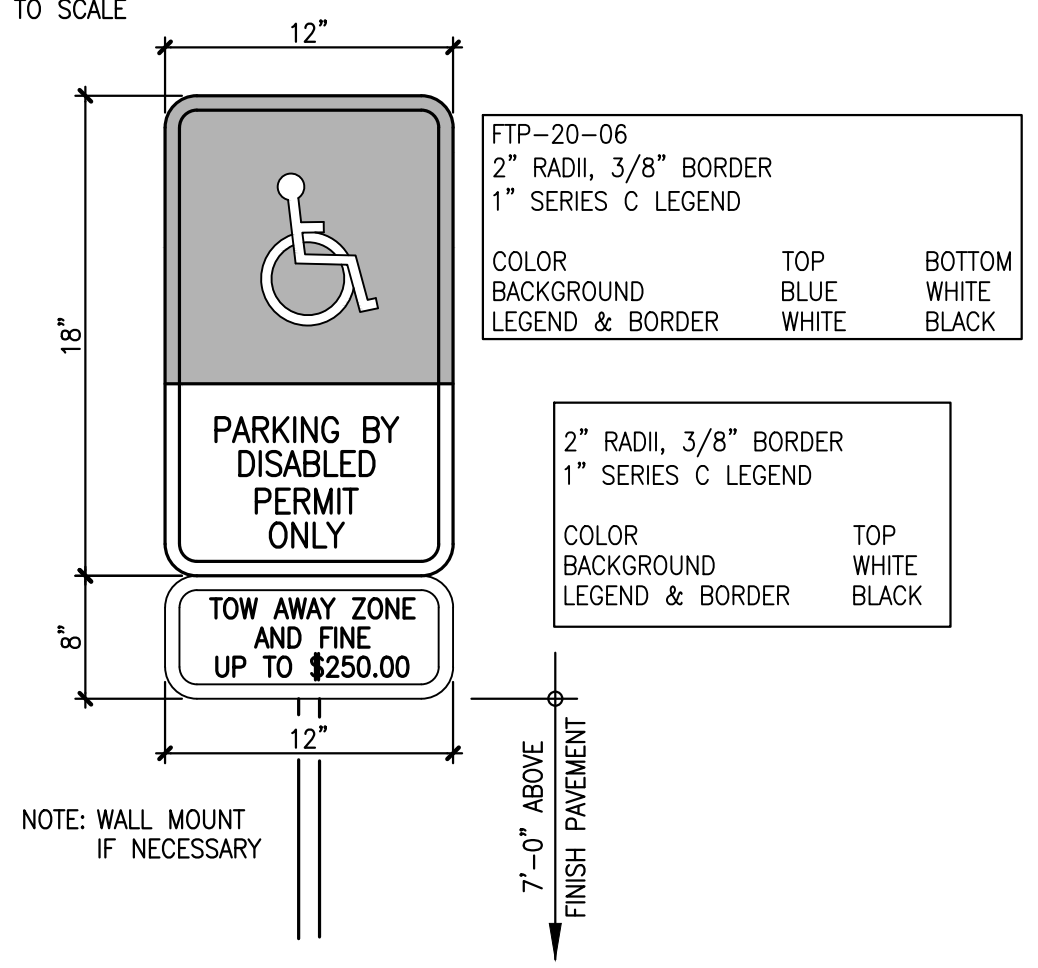
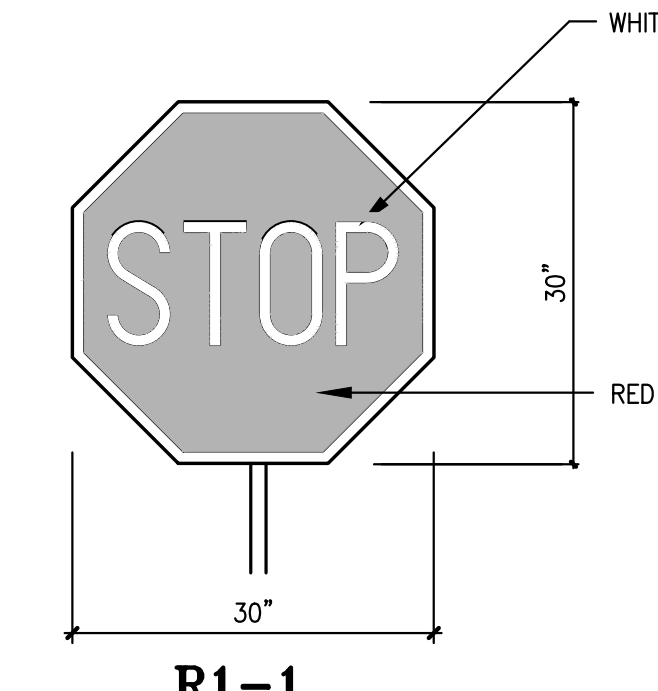
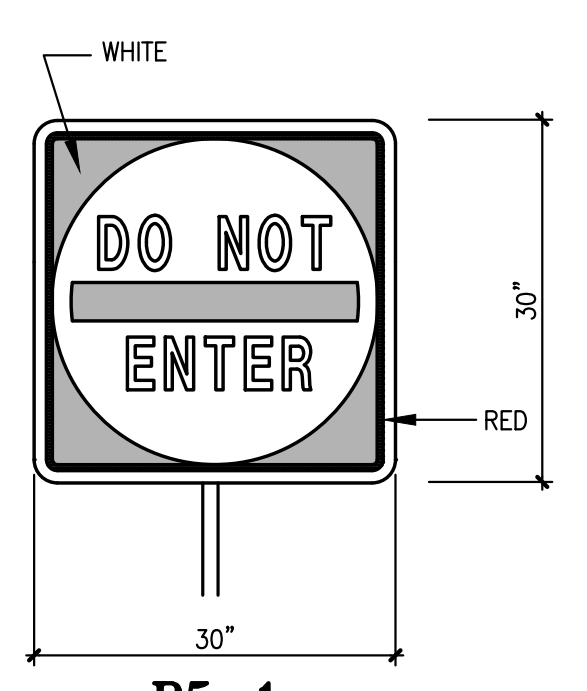
5 HANDICAP RAMPS DETAIL
 NOT TO SCALE



32 BICYCLE PARKING SIGN
 NOT TO SCALE



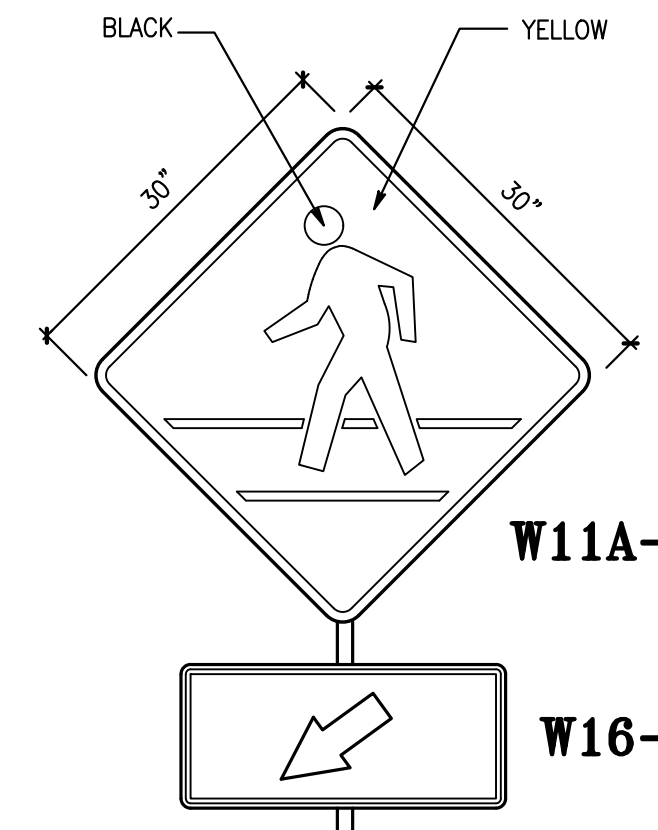
STANDARD F.D.O.T. & MUTCD SIGNAGE DETAILS
 SCALE: N.T.S.



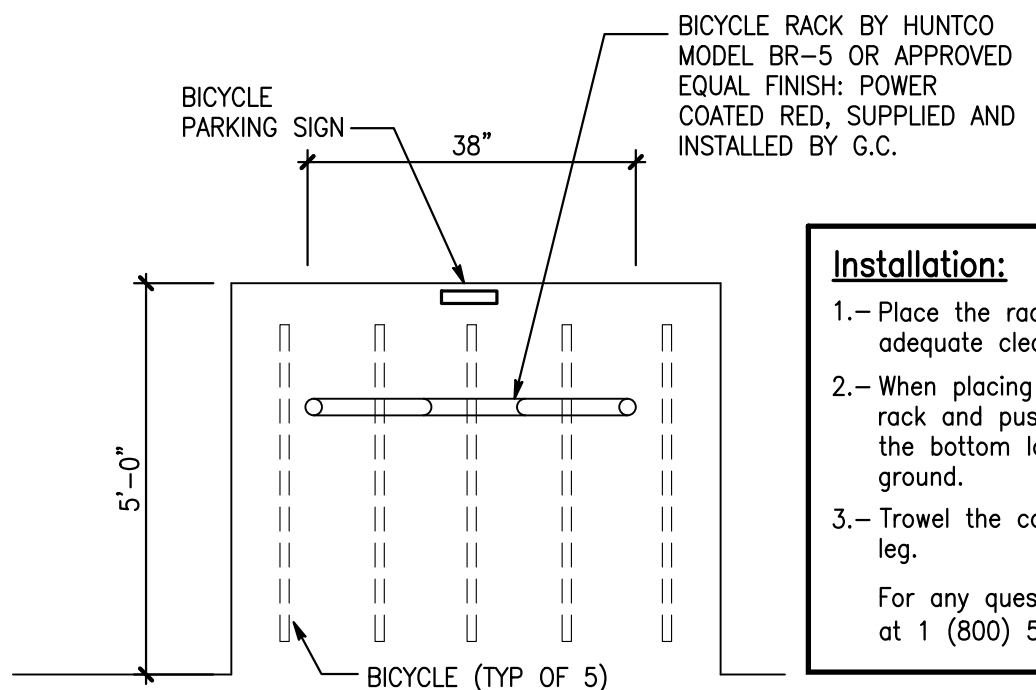
13 DISABLED PARKING SIGN
 (FTP 20-06 PER FDOT INDEX 17355)
 NOT TO SCALE

GENERAL NOTES

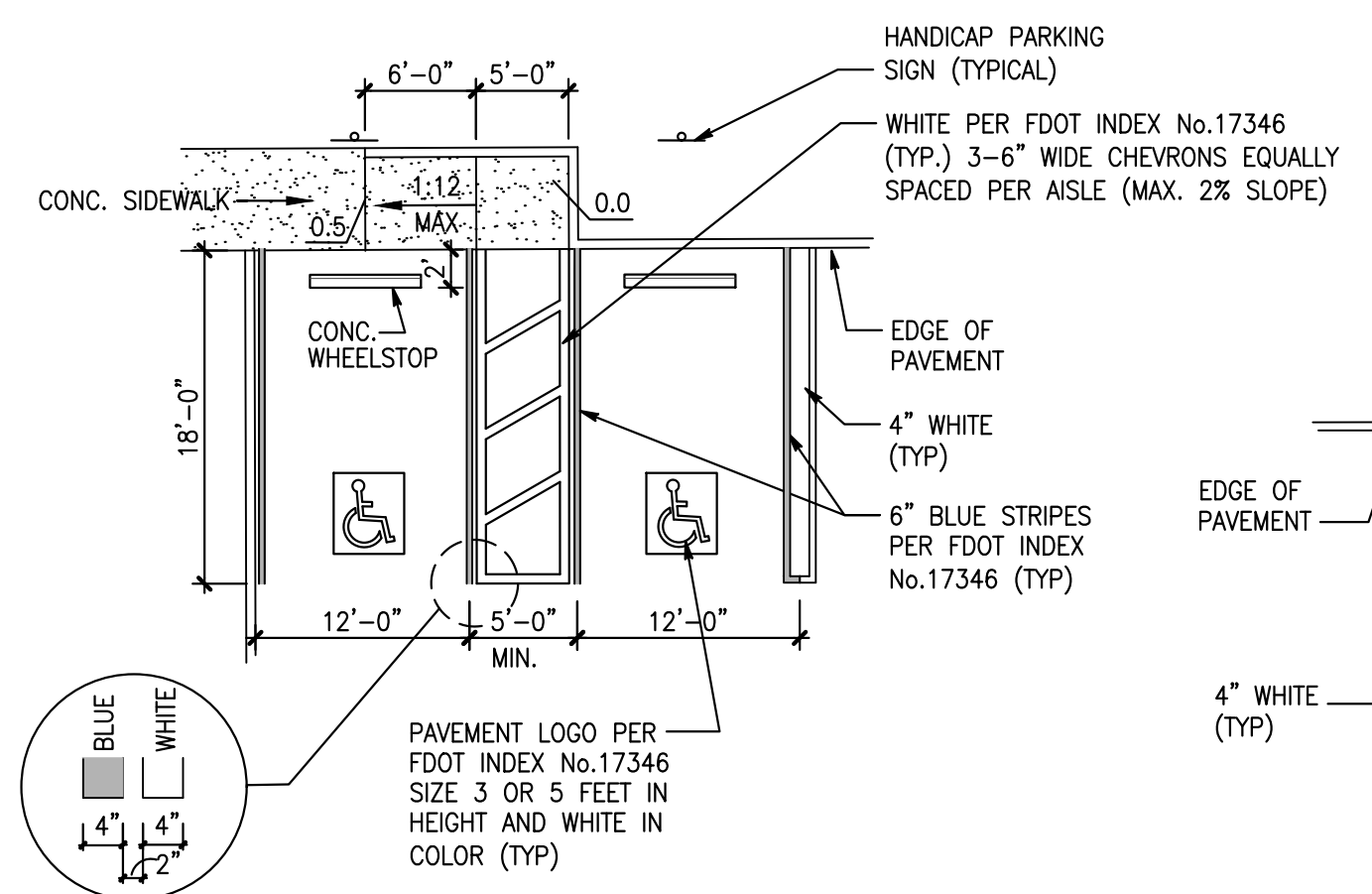
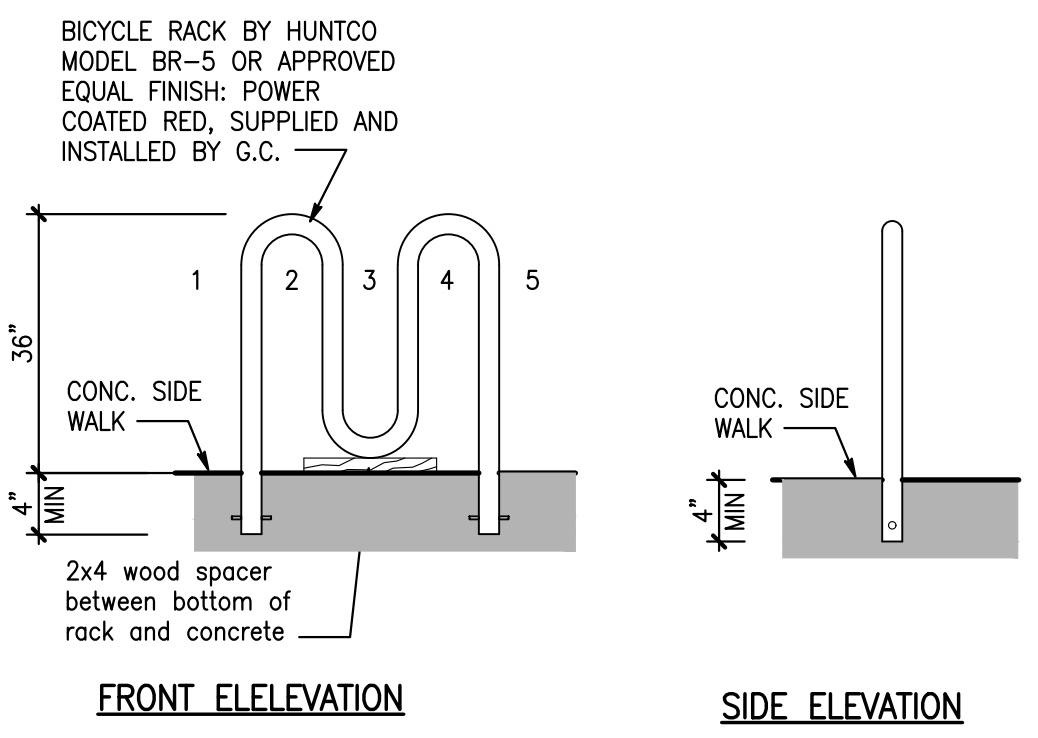
- ALL SIGNS SHALL BE ERECTED IN ACCORDANCE WITH ALL LOCAL CODES AND SOIL CONDITIONS.
- DESIGNS ARE PER 110 MPH WIND LOADS (VERIFY LOCAL WIND AND SOIL CONDITIONS).
- WHEN UNABLE TO VIEW CARS PLACING ORDERS DIRECTLY FROM PICK-UP WINDOW A 24" CONVEX MIRROR SHALL BE PLACED IN AN APPROPRIATE LOCATION TO VIEW CUSTOMERS AT ORDER STATION.



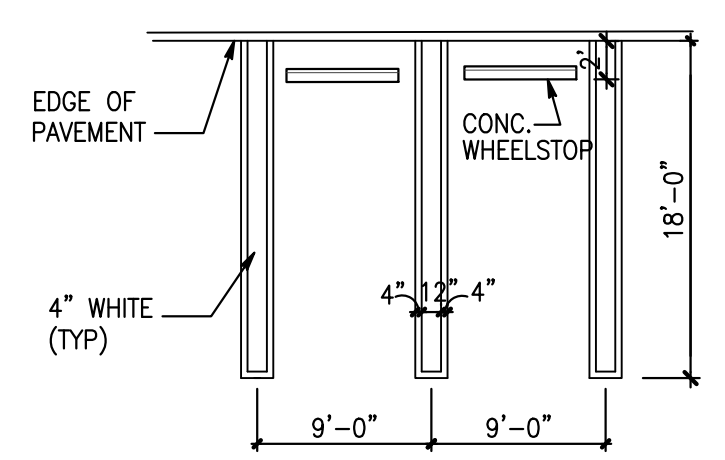
36 PEDESTRIAN CROSSING SIGN
 NOT TO SCALE



33 BIKE RACK DETAIL
 NOT TO SCALE



HANDICAP PARKING DETAIL



STANDARD PARKING DETAIL

13 14 16 HANDICAP AND STANDARD PARKING DETAILS
 NOT TO SCALE